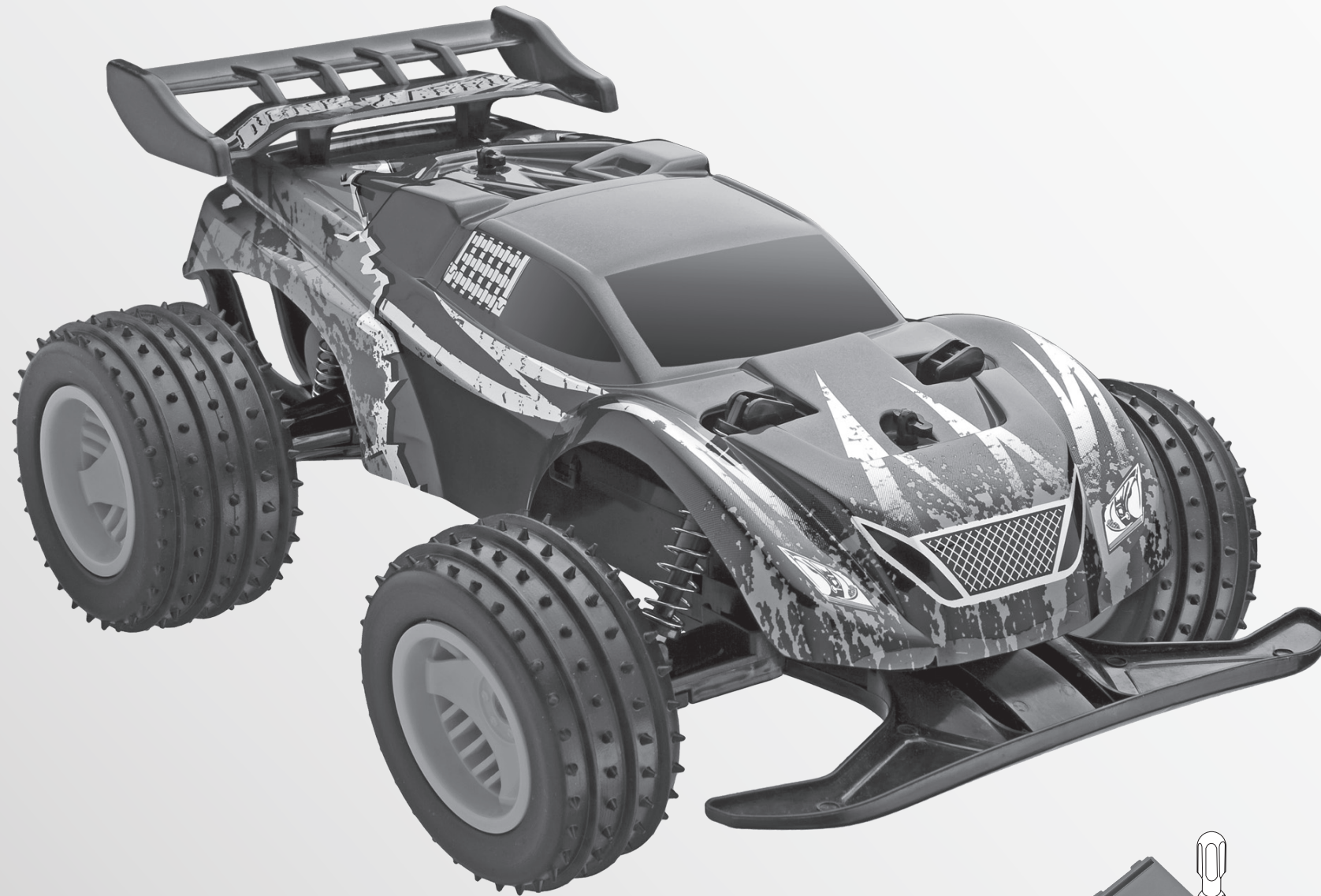




radioshack

1:12 RC *Dune Warrior*

Age 6+



We hope you enjoy your RC Dune Warrior from RadioShack. Please read this user's guide before setting up and using your vehicle.

What's Included

- RC Dune Warrior
- Transmitter
- Battery Pack
- Charger
- User's Guide

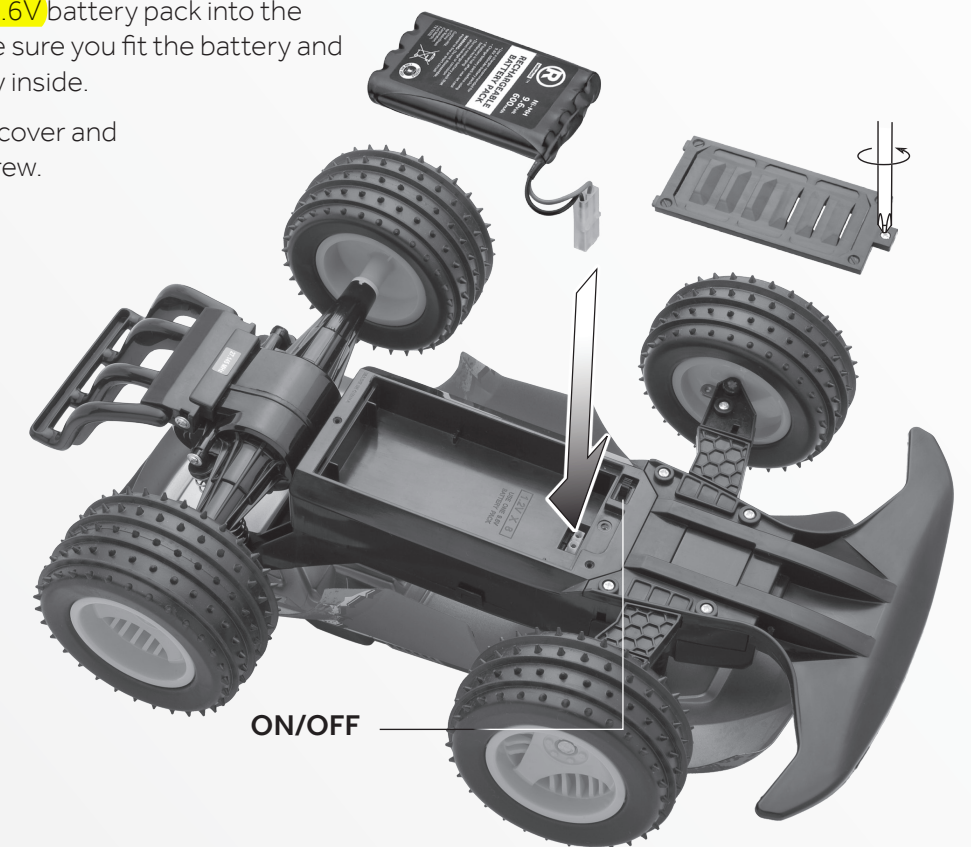
Features

- Digital Proportional Steering and Speed control
- Up to 1000 feet (305m) per minute

CHOKING HAZARD! Small parts. Not for children under 3 years.

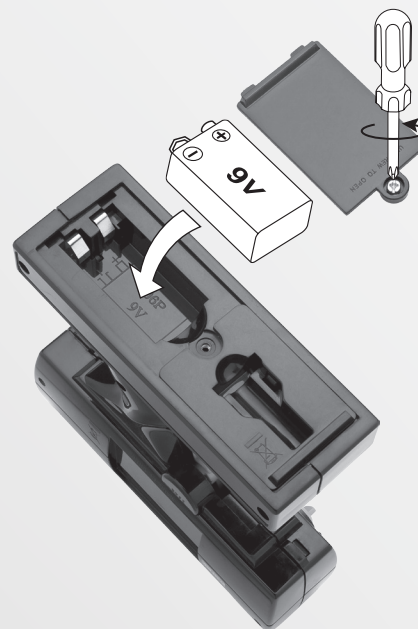
Install Battery Pack in the Vehicle

1. Turn off the vehicle.
2. Use a screwdriver to open the battery cover, then plug the jack of the **9.6V** battery pack into the battery socket. Make sure you fit the battery and battery cables neatly inside.
3. Replace the battery cover and secure it with the screw.



Install Battery in the Transmitter

1. Turn off the **transmitter**.
2. Use a screwdriver to open the battery compartment cover.
3. Insert one 9V battery (not included), matching the polarity symbols (+ and -) marked inside the battery compartment. Replace the battery cover and secure it with the screw.



Pairing Your Vehicle and the Transmitter

Your vehicle operates at a frequency of 2.4Ghz. Before driving the first time, you must pair the transmitter and vehicle.

1. Place the transmitter and the vehicle close to each other within 3 feet (1m).
2. Turn on the transmitter and the vehicle. The LED on the transmitter flashes quickly, and then lights green after 30 seconds when transmitter and the vehicle are paired automatically.

Note:

- If the pairing failed, turn off the controller and the vehicle, move closer, and then try again.
- If playing with more than one DP Dune Warrior at the same time, pair each vehicle one by one.

Drive Your Vehicle

Steering

Turn right and left; release to drive straight.

LED

Off - Power off/dead or no battery
On - Paired
Flash quickly - Searching vehicle to pair
Flash slowly - Pairing failed

Steering Trim

If your vehicle pulls to the left, turn this switch toward **R**; if the vehicle pulls to the right, turn this switch toward **L**.

Neutral Trim

If your vehicle moves backward when it stops, turn this switch toward **F**; if the vehicle moves forward, turn this switch toward **R**.

Trigger

Pull and push to go forward and back; release to stop.

Turn off your vehicle when not in use.



Charge the Vehicle Battery Pack

1. Insert the charger's connector securely into the battery pack's connector.
2. Plug the battery charger into a standard AC outlet.

3. Allow 2 hours for each charge. The charging indicator flashes during charging. It stops flashing and remains lit when charging is complete.

4. Unplug the charger and separate the battery connectors when fully charged. When fully charged, the vehicle can run about **18** minutes.

Caution:

- To avoid damage and personal injury, use only the supplied charger to charge the battery pack.
- After playing, wait at least 20 minutes to let the battery pack cool before charging it.

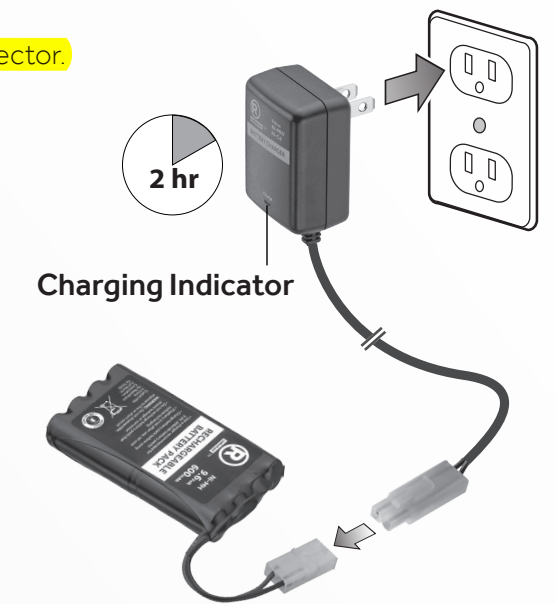
Battery Notes:

- Use only fresh batteries of the required size and recommended type. Dispose of the old batteries promptly and properly. Do not burn or bury them.
- Do not disassemble the charger and battery pack. Incorrect assembly can result in risk of electric shock or fire.
- If you do not plan to use the vehicle for a week or longer, remove the batteries from the transmitter and the vehicle.
- Batteries should NEVER be left unattended while charging. Only adults should charge the batteries. Use caution when using the charger to avoid electric shock.

Recycle Rechargeable Batteries



Recycle used rechargeable batteries at one of the many collection sites in the U.S. and Canada. To find the site nearest you, visit www.call2recycle.org or call 1-800-822-8837.



Specifications

Battery Charger	6001056 only: 120V AC, 60 Hz
.....	6001071 only: 100 – 240V AC, 50 – 60 Hz
Output	12 V DC, 350 mA
Speed	up to 1000 ft/min (305m/min)
Control Distance	130 ft (39.6m)
Climbing Angle	20°

Specifications are subject to change and improvement without notice. Actual product may vary from the images found in this document.

Safety and Care

- Not recommended for children under 6 years of age. Adult supervision is recommended at all times.
- A nearby CB radio can interfere with your vehicle's control. If this happens, move the vehicle away from the CB radio.
- Never play with your vehicle in the street.
- Avoid high-impact collisions with people and objects.

FCC Information

This equipment has been tested and found to comply with the limits for a Class B digital device, pursuant to Part 15 of the FCC Rules. These limits are designed to provide reasonable protection against harmful interference in a residential installation. This equipment generates, uses, and can radiate radio frequency energy and, if not installed and used in accordance with the instructions, may cause harmful interference to radio communications. However, there is no guarantee that interference will not occur in a particular installation. If this equipment does cause harmful interference to radio or television reception, which can be determined by turning the equipment off and on, the user is encouraged to try to correct the interference by one or more of the following measures:

- Reorient or relocate the receiving antenna.
- Increase the separation between the equipment and receiver.
- Connect the equipment into an outlet on a circuit different from that to which the receiver is connected.
- Consult your local RadioShack store or an experienced radio/TV technician for help.

If you cannot eliminate the interference, the FCC requires that you stop using your equipment. Changes

or modifications not expressly approved by the party responsible for compliance could void the user's authority to operate the equipment.

This device complies with Part 15 of the FCC rules. Operation is subject to the following two conditions: (1) this device may not cause harmful interference, and (2) this device must accept any interference received, including interference that may cause undesired operation.

Limited Warranty

RadioShack warrants this product against defects in materials and workmanship under normal use by the original purchaser for **ninety (90) days** after the date of purchase from a RadioShack-owned store or an authorized RadioShack franchisee or dealer. RADIOSHACK MAKES NO OTHER EXPRESS WARRANTIES.

This warranty does not cover: (a) damage or failure caused by or attributable to abuse, misuse, failure to follow instructions, improper installation or maintenance, alteration, accident, Acts of God (such as floods or lightning), or excess voltage or current; (b) improper or incorrectly performed repairs by persons who are not a RadioShack Authorized Service Facility; (c) consumables such as fuses or batteries; (d) ordinary wear and tear or cosmetic damage; (e) transportation,

shipping or insurance costs; (f) costs of product removal, installation, set-up service, adjustment or reinstallation; and (g) claims by persons other than the original purchaser.

Should a problem occur that is covered by this warranty, take the product and the RadioShack sales receipt as proof of purchase date to any RadioShack store in the U.S. RadioShack will, at its option, unless otherwise provided by law (a) replace the product with the same or a comparable product, or (b) refund the purchase price. All replaced products, and products on which a refund is made, become the property of RadioShack.

RADIOSHACK EXPRESSLY DISCLAIMS ALL WARRANTIES AND CONDITIONS NOT STATED IN THIS LIMITED WARRANTY. ANY IMPLIED WARRANTIES THAT MAY BE IMPOSED BY LAW, INCLUDING THE IMPLIED WARRANTY OF MERCHANTABILITY AND, IF APPLICABLE, THE IMPLIED WARRANTY OF FITNESS FOR A PARTICULAR PURPOSE, SHALL EXPIRE ON THE EXPIRATION OF THE STATED WARRANTY PERIOD.

EXCEPT AS DESCRIBED ABOVE, RADIOSHACK SHALL HAVE NO LIABILITY OR RESPONSIBILITY TO THE PURCHASER OF THE PRODUCT OR ANY OTHER PERSON OR ENTITY WITH RESPECT TO ANY LIABILITY, LOSS OR DAMAGE CAUSED DIRECTLY OR INDIRECTLY BY USE OR PERFORMANCE OF THE

PRODUCT OR ARISING OUT OF ANY BREACH OF THIS WARRANTY, INCLUDING, BUT NOT LIMITED TO, ANY DAMAGES RESULTING FROM INCONVENIENCE AND ANY LOSS OF TIME, DATA, PROPERTY, REVENUE, OR PROFIT AND ANY INDIRECT, SPECIAL, INCIDENTAL, OR CONSEQUENTIAL DAMAGES, EVEN IF RADIOSHACK HAS BEEN ADVISED OF THE POSSIBILITY OF SUCH DAMAGES.

Some states do not allow limitations on how long an implied warranty lasts or the exclusion or limitation of incidental or consequential damages, so the above limitations or exclusions may not apply to you. This warranty gives you specific legal rights, and you may also have other rights which vary from state to state. You may contact RadioShack at:

RadioShack Customer Relations
300 RadioShack Circle
Fort Worth, TX 76102

www.RadioShack.com

02/14

