

DODGE MAGNUM

O.I. NO. 5475

#5F60AC9

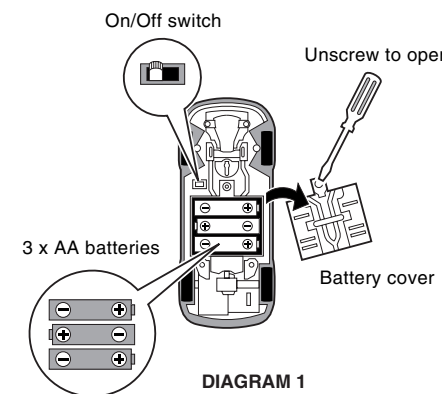
OPERATING INSTRUCTIONS:

BATTERY LOADING:
(FOR MAXIMUM PERFORMANCE, USE ALKALINE BATTERIES)
Remember to take out all batteries from the vehicle and transmitter after playing.

- Do not mix old and new batteries.
- Do not mix alkaline, standard (Carbon-Zinc), or rechargeable (nickel metal hydride) batteries.

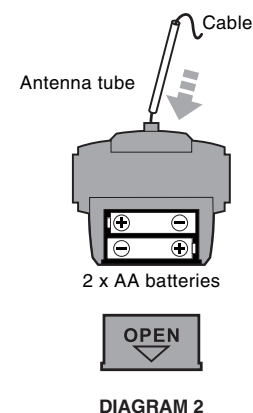
HOW TO INSTALL BATTERIES IN VEHICLE

- Push the ON/OFF switch to "OFF" position on the underside of the vehicle. (See Diagram 1)
- Unscrew to open the battery cover.
- Insert 3 x AA batteries by matching the (+) and (-) signs as indicated in the battery compartment. (See Diagram 1)
- Replace the battery cover.



HOW TO INSTALL BATTERY IN TRANSMITTER

- Slide to open the battery cover at the back of the transmitter and put 2 x AA batteries inside following the engraved signs. (See Diagram 2)
- Replace the battery cover.
- Build up antenna by passing the cable through the antenna tube provided and plug into the transmitter tightly. Otherwise, the vehicle will not work. (See Diagram 2)

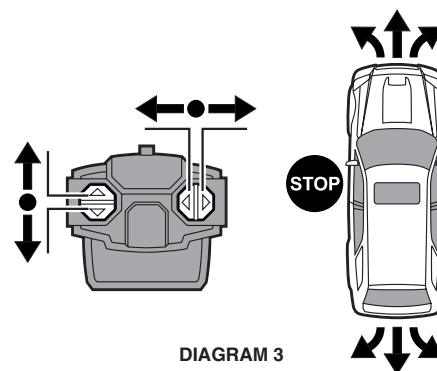


VEHICLE OPERATION: START TO PLAY

- Push the ON/OFF switch to the "ON" position of the vehicle. (See Diagram 1)

OPERATION

- Operate the vehicle with the transmitter (See Diagram 3).
 - Turn OFF the vehicle after playing.
- NOTE: REMOVE BATTERIES AFTER YOU HAVE FINISHED USING YOUR VEHICLE.



DODGE MAGNUM

FRONT WHEELS STEERING ADJUSTMENT

- If the vehicle does not run straight forwards, adjust the lever for satisfactory alignment on the underside of the vehicle. (See Diagram 4)
- If the vehicle runs towards left, turn "Steering Alignment Lever" towards "R"
- If the vehicle runs towards right, turn "Steering Alignment Lever" towards "L"

Steering alignment lever

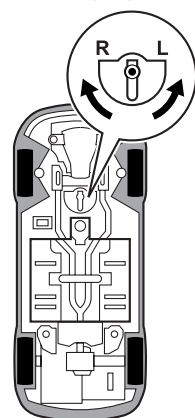


DIAGRAM 4

PERFORMANCE TIPS:

- Don't go through water.
- Use fresh alkaline batteries.
- Be sure to rest your vehicle for at least 30 minutes after every 15 minutes of operation.
- Make sure ON/OFF switch on your vehicle is OFF when not in use.
- Don't bend antenna.
- Electrical, CB interference, mobile phones, air conditioning, elevators and steel girders in building will affect the operation of your vehicle.
- Don't leave the vehicle or transmitter near sources of heat or under direct sunlight for long periods of time.
- Remove the batteries from the vehicle and transmitter when not in use.

FCC NOTE:
THE ANTENNA PROVIDED IS A UNIQUE ANTENNA. BY INSTALLATION OF UNAUTHORIZED ANTENNA TO THIS EQUIPMENT, SUCH UNAUTHORIZED INSTALLATION COULD VOID THE USER'S AUTHORITY TO OPERATE THE EQUIPMENT.

THE MANUFACTURER IS NOT RESPONSIBLE FOR ANY RADIO OR TV INTERFERENCE CAUSED BY UNAUTHORIZED MODIFICATIONS TO THIS EQUIPMENT. SUCH MODIFICATIONS COULD VOID THE USER'S AUTHORITY TO OPERATE THE EQUIPMENT.

ATTENTION PARENTS:
IT IS RECOMMENDED THAT THIS TOY AND ALL ACCESSORIES BE PERIODICALLY EXAMINED FOR POTENTIAL HAZARDS AND THAT ANY POTENTIALLY HAZARDOUS PARTS BE REPAIRED OR REPLACED.

IMPORTANT

If you experience any problems or issues with this item do not take it back to the store where you purchased. Please email service@scientific.com.hk and we will be happy to assist you in resolving any issues you may have. We thank you for your purchase.

FCC Information

This equipment has been tested and found to comply with the limits for a Class B digital device, pursuant to Part 15 of the FCC Rules. These limits are designed to provide reasonable protection against harmful interference in a residential installation. This equipment generates, uses and can radiate radio frequency energy and, if not installed and used in accordance with the instructions, may cause harmful interference to radio communications. However, there is no guarantee that interference will not occur in a particular installation. If this equipment does cause harmful interference to radio or television reception, which can be determined by turning the equipment off and on, the user is encouraged to try to correct the interference by one or more of the following measures:

- Reorient or relocate the receiving antenna.
- Increase the separation between the equipment and receiver.
- Connect the equipment into an outlet on a circuit different from that to which the receiver is connected.
- Consult the dealer or an experienced radio/TV technician for help.

Changes or modifications not expressly approved by Ignition L.P. may cause interference and void the user's authority to operate the equipment.

This device complies with Part 15 of the FCC Rules. Operation is subject to the following two conditions: (1) This device may not cause harmful interference, and (2) this device must accept any interference received, including interference that may cause undesired operation.

6+ **ToysRUs®**
CONFORMS TO THE SAFETY REQUIREMENTS OF ASTM F963.

NOT INCLUDED
AA x 5

CAUTION:
Remove all tags, twist-ties and plastic loops before giving toy to child.

Contents and colors may vary.

Do not mix old and new batteries. Do not mix alkaline, standard (carbon-zinc), or rechargeable batteries.

WCC IS A MARK OF (EST UNE MARQUE DE/ ES UNA MARCA DE) GEOFFREY, LLC, A SUBSIDIARY OF (UNE FILIALE DE/UNA SUBSIDIARIA DE) TOYS'R'US, INC. © 2013 GEOFFREY, LLC
MADE IN CHINA (FABRIQUÉE EN CHINE/FABRICADO EN CHINA)
DISTRIBUTED IN THE UNITED STATES BY (DISTRIBUÉE AUX ÉTATS-UNIS PAR/DISTRIBUIDO EN LOS ESTADOS UNIDOS POR) TOYS'R'US, INC., WAYNE, NJ 07470
IMPORTED BY (IMPORTÉ PAR/IMPORTADO EM) TOYS'R'US (CANADA) LTD. (LTÉE), 2777 LANGSTAFF ROAD, CONCORD, ON L4K 4M5
DISTRIBUTED IN AUSTRALIA BY (DISTRIBUÉE EN AUSTRALIE PAR/ DISTRIBUIDO EN AUSTRALIA POR) TOYS'R'US (AUSTRALIA (AUSTRALIE)) PTY LTD.(LTÉE), REGENTS PARK NSW 2143
www.toysrus.com

SUBARU IMPREZA HATCHBACK

O.I. NO. 5476

#5F60ACA

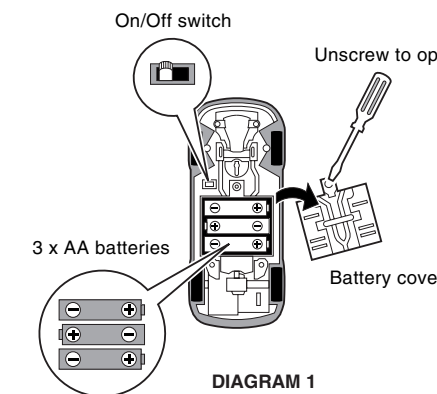
OPERATING INSTRUCTIONS:

BATTERY LOADING:
(FOR MAXIMUM PERFORMANCE, USE ALKALINE BATTERIES)
Remember to take out all batteries from the vehicle and transmitter after playing.

- Do not mix old and new batteries.
- Do not mix alkaline, standard (Carbon-Zinc), or rechargeable (nickel metal hydride) batteries.

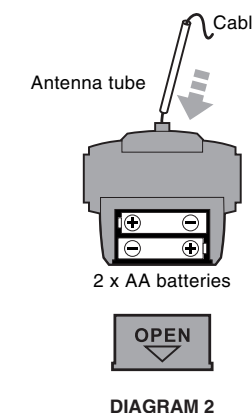
HOW TO INSTALL BATTERIES IN VEHICLE

- Push the ON/OFF switch to "OFF" position on the underside of the vehicle. (See Diagram 1)
- Unscrew to open the battery cover.
- Insert 3 x AA batteries by matching the (+) and (-) signs as indicated in the battery compartment. (See Diagram 1)
- Replace the battery cover.



HOW TO INSTALL BATTERY IN TRANSMITTER

- Slide to open the battery cover at the back of the transmitter and put 2 x AA batteries inside following the engraved signs. (See Diagram 2)
- Replace the battery cover.
- Build up antenna by passing the cable through the antenna tube provided and plug into the transmitter tightly. Otherwise, the vehicle will not work. (See Diagram 2)

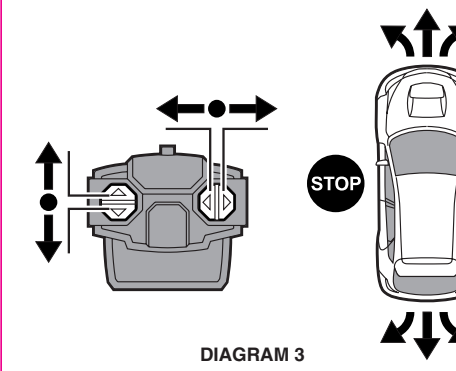


VEHICLE OPERATION: START TO PLAY

- Push the ON/OFF switch to the "ON" position of the vehicle. (See Diagram 1)

OPERATION

- Operate the vehicle with the transmitter (See Diagram 3).
 - Turn OFF the vehicle after playing.
- NOTE: REMOVE BATTERIES AFTER YOU HAVE FINISHED USING YOUR VEHICLE.



SUBARU IMPREZA HATCHBACK

FRONT WHEELS STEERING ADJUSTMENT

- If the vehicle does not run straight forwards, adjust the lever for satisfactory alignment on the underside of the vehicle. (See Diagram 4)
- If the vehicle runs towards left, turn "Steering Alignment Lever" towards "R"
- If the vehicle runs towards right, turn "Steering Alignment Lever" towards "L"

Steering alignment lever

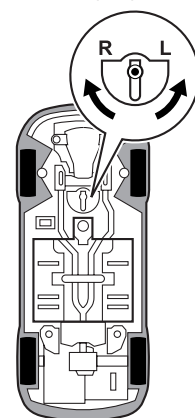


DIAGRAM 4

PERFORMANCE TIPS:

- Don't go through water.
- Use fresh alkaline batteries.
- Be sure to rest your vehicle for at least 30 minutes after every 15 minutes of operation.
- Make sure ON/OFF switch on your vehicle is OFF when not in use.
- Don't bend antenna.
- Electrical, CB interference, mobile phones, air conditioning, elevators and steel girders in building will affect the operation of your vehicle.
- Don't leave the vehicle or transmitter near sources of heat or under direct sunlight for long periods of time.
- Remove the batteries from the vehicle and transmitter when not in use.

FCC NOTE:
THE ANTENNA PROVIDED IS A UNIQUE ANTENNA. BY INSTALLATION OF UNAUTHORIZED ANTENNA TO THIS EQUIPMENT, SUCH UNAUTHORIZED INSTALLATION COULD VOID THE USER'S AUTHORITY TO OPERATE THE EQUIPMENT.

THE MANUFACTURER IS NOT RESPONSIBLE FOR ANY RADIO OR TV INTERFERENCE CAUSED BY UNAUTHORIZED MODIFICATIONS TO THIS EQUIPMENT. SUCH MODIFICATIONS COULD VOID THE USER'S AUTHORITY TO OPERATE THE EQUIPMENT.

ATTENTION PARENTS:
IT IS RECOMMENDED THAT THIS TOY AND ALL ACCESSORIES BE PERIODICALLY EXAMINED FOR POTENTIAL HAZARDS AND THAT ANY POTENTIALLY HAZARDOUS PARTS BE REPAIRED OR REPLACED.

IMPORTANT

If you experience any problems or issues with this item do not take it back to the store where you purchased. Please email service@scientific.com.hk and we will be happy to assist you in resolving any issues you may have. We thank you for your purchase.

6+ **ToysRUs®**
CONFORMS TO THE SAFETY REQUIREMENTS OF ASTM F963.

NOT INCLUDED
AA x 5

CAUTION:
Remove all tags, twist-ties and plastic loops before giving toy to child.

Contents and colors may vary.

Do not mix old and new batteries. Do not mix alkaline, standard (carbon-zinc), or rechargeable batteries.

WCC IS A MARK OF (EST UNE MARQUE DE/ ES UNA MARCA DE) GEOFFREY, LLC, A SUBSIDIARY OF (UNE FILIALE DE/UNA SUBSIDIARIA DE) TOYS'R'US, INC. © 2013 GEOFFREY, LLC
MADE IN CHINA (FABRIQUÉE EN CHINE/FABRICADO EN CHINA)
DISTRIBUTED IN THE UNITED STATES BY (DISTRIBUÉE AUX ÉTATS-UNIS PAR/DISTRIBUIDO EN LOS ESTADOS UNIDOS POR) TOYS'R'US, INC., WAYNE, NJ 07470
IMPORTED BY (IMPORTÉ PAR/IMPORTADO EM) TOYS'R'US (CANADA) LTD. (LTÉE), 2777 LANGSTAFF ROAD, CONCORD, ON L4K 4M5
DISTRIBUTED IN AUSTRALIA BY (DISTRIBUÉE EN AUSTRALIE PAR/ DISTRIBUIDO EN AUSTRALIA POR) TOYS'R'US (AUSTRALIA (AUSTRALIE)) PTY LTD.(LTÉE), REGENTS PARK NSW 2143
www.toysrus.com