

CAUTION- ELECTRIC TOY

NOT RECOMMENDED FOR CHILDREN UNDER 6 YEARS OF AGE. AS WITH ALL ELECTRIC PRODUCTS, PRECAUTIONS SHOULD BE OBSERVED DURING HANDLING AND USE TO PREVENT ELECTRIC SHOCK. INPUT: 120VAC, 60HZ 10W ONLY. OUTPUT: 12VDC, 0.2A

OPERATING INSTRUCTIONS:

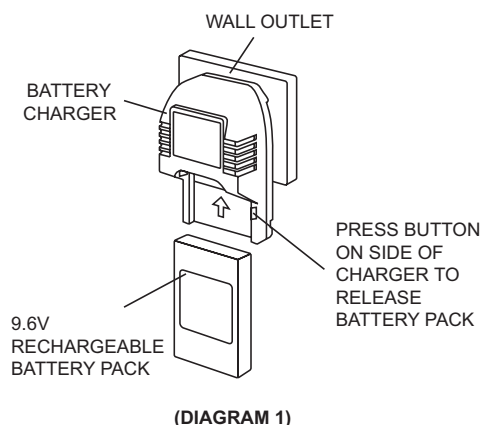
BATTERY PACK CARE / CAUTIONS:

1. If battery pack and/or connectors are wet, thoroughly dry before charging.
2. Unplug the battery pack if it is not going to be used for several days.
3. Do not charge battery pack that is hot, wet or shows signs of leakage or corrosion.
4. Do not expose to fire, as explosion may result.
5. Do not disassemble the battery pack.
6. The toy must only be used with the recommended charger.
7. The charger is not a toy.
8. Rechargeable battery pack is only to be charged by adult.

BATTERY INSTALLATION:

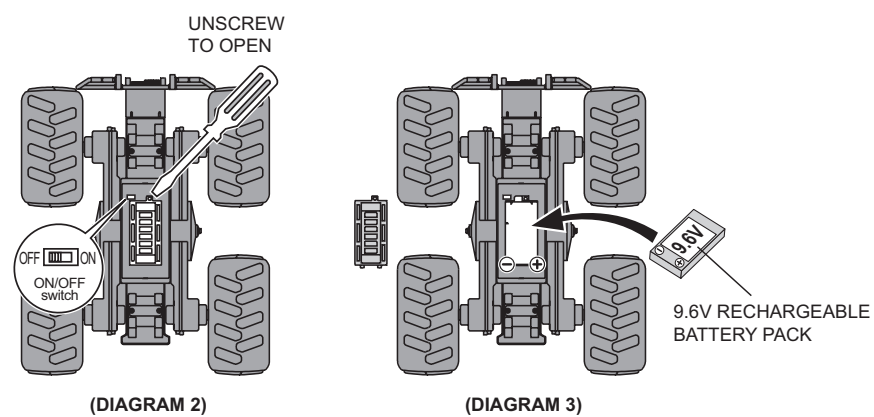
THE RECHARGEABLE BATTERY PACK IS NOT CHARGED.

1. Plug the battery charger into a wall outlet.
2. Click the battery pack into the charger. Make certain the battery pack is securely inserted into the charger.
3. To disconnect, push the button of the charger (See Diagram 1) and simultaneously slide battery pack out.
4. The battery pack should be charged for 8 hours the first two times. Then subsequent charges will only require 4 hours.
5. After charging, the battery will be warm. This condition is normal for fully charged batteries.
6. If the speed of the vehicle slows down suddenly, it is time to recharge.
7. After each use, the battery pack will be hot! Allow the battery pack to cool for at least 20 minutes before recharging. Recharging a warm or hot battery pack will greatly shorten the useful life of the battery.
8. The toy must be used with the recommended transformer.
9. The transformer is not a toy.



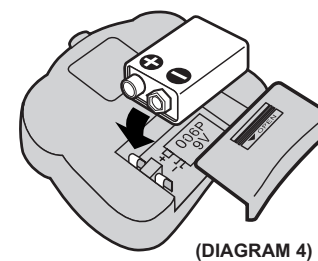
HOW TO INSTALL BATTERY IN VEHICLE

1. Make sure the "ON/OFF" switch at the underside of the vehicle is at the "OFF" position. (See Diagram #2)
2. Unscrew to open battery cover. (See Diagram #2)
3. Place the 9.6V battery pack inside securely and replace the battery cover. (See Diagram #3)
4. Replace the battery cover and tighten the screw to secure the battery cover.



HOW TO INSTALL BATTERY IN TRANSMITTER

1. Remove battery cover and install 9V batteries by matching + and - poles as indicated in the battery compartment. (See Diagram #4)
 2. Replace the battery cover.
- Note: Remove all batteries after you have finished using your vehicle.



FCC NOTE:

THE ANTENNA PROVIDED IS A UNIQUE ANTENNA. BY INSTALLATION OF UNAUTHORIZED ANTENNA TO THIS EQUIPMENT. SUCH UNAUTHORIZED INSTALLATION COULD VOID THE USER'S AUTHORITY TO OPERATE THE EQUIPMENT.

THE MANUFACTURER IS NOT RESPONSIBLE FOR ANY RADIO OR TV INTERFERENCE CAUSED BY UNAUTHORIZED MODIFICATIONS TO THIS EQUIPMENT. SUCH MODIFICATIONS COULD VOID THE USER'S AUTHORITY TO OPERATE THE EQUIPMENT.

NOTE: This equipment has been tested and found to comply with the limits for a Class B digital device, pursuant to Part 15 of the FCC Rules. These limits are designed to provide reasonable protection against harmful interference in a residential installation. This equipment generates, uses and can radiate radio frequency energy and, if not installed and used in accordance with the instructions, may cause harmful interference to radio communications. However, there is no guarantee that interference will not occur in a particular installation. If this equipment does cause harmful interference to radio or television reception, which can be determined by turning the equipment off and on, the user is encouraged to try to correct the interference by one or more of the following measures:

- Reorient or relocate the receiving antenna.
- Increase the separation between the equipment and receiver.
- Connect the equipment into an outlet on a circuit different from that to which the receiver is connected.
- Consult the dealer or an experienced radio/TV technician for help.

ATTENTION PARENTS:

IT IS RECOMMENDED THAT THIS TOY AND ALL ACCESSORIES BE PERIODICALLY EXAMINED FOR POTENTIAL HAZARDS AND THAT ANY POTENTIALLY HAZARDOUS PARTS BE REPAIRED OR REPLACED.



EZTEC
www.ez-tec.com

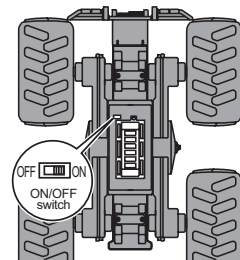
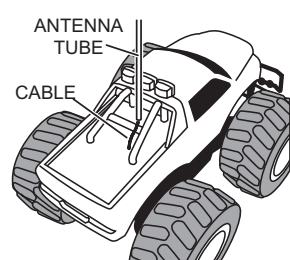
EZ-TEC® IS A REGISTERED TRADEMARK OWNED BY SCIENTIFIC TOYS, LTD.

© 2013 SCIENTIFIC TOYS LTD. 1108, TOWER B,
14 SCIENCE MUSEUM ROAD, TSIMSHATSUI, HONG KONG.
PRINTED IN CHINA
O.I. NO.5459

SIZE: 297MM X 242MM PN#65-5459-000-0100

HOW TO PLAY

1. Build up antenna by passing the cable through the antenna tube provided and plug into the vehicle tightly. Otherwise, the vehicle will not work. (See Diagram #5)
2. Push the ON/OFF switch to the "ON" position of the vehicle. (See Diagram #6)

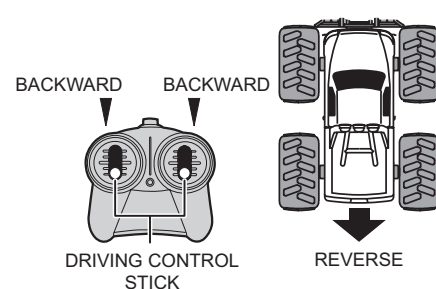
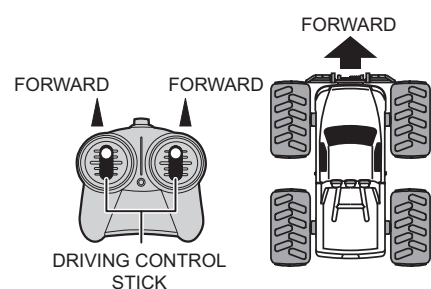


FORWARD RUNNING

3. Push both the Driving Control Sticks forward for forward running. (See Diagram #7)

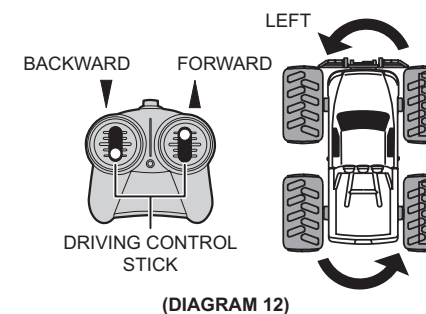
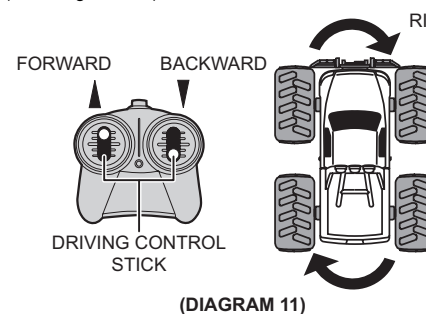
REVERSE RUNNING

4. Pull both the Driving Control Sticks backward for reverse running. (See Diagram #8)



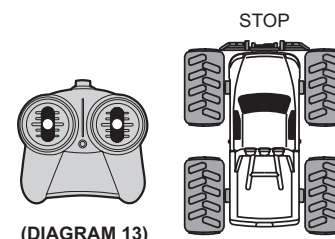
360 DEGREE SPINS

7. Push the Left Driving Control Stick forward while pulling the Right Driving Control Stick backward at the same time. (See Diagram #11)
8. Push the Right Driving Control Stick forward while pulling the Left Driving Control Stick backward at the same time. (See Diagram #12)



STOP OPERATION

9. Release both Driving Control Sticks, the vehicle will Stop. (See Diagram #13)



PERFORMANCE TIPS FOR VEHICLE

- Do not drive car through water.
- Be sure to rest your vehicle for at least 30 minutes after every 15 minutes of operation.
- Make sure OFF/ON switch on your vehicle is in the "OFF" position when it is not in use.
- Do not bend the antenna.
- Electrical, CB interference, mobile phones, air conditioning, elevators and steel girders in buildings will affect the operation of your vehicle.
- Do not leave the vehicle or transmitter near sources of heat or in direct sunlight for long periods of time.
- Remove the batteries from the vehicle and transmitter when they are not in use.
- Do not drive car into people or animals.
- Do not attempt to sit or ride on product. Serious injury can result.

BATTERY CAUTIONS

1. For maximum performance, use alkaline batteries
2. Do not mix old and new batteries
3. Do not mix alkaline, standard (carbon-zinc), or rechargeable batteries
4. Do not recharge non-rechargeable battery
5. Ensure batteries are inserted with the correct polarity
6. Remove batteries when toy is not in use
7. Remove exhausted batteries from toy and dispose of in accordance with the makers recommendation
8. Rechargeable batteries should only be charged under adult supervision
9. Remove rechargeable batteries from toy before charging
10. The supply terminals are not to be short-circuited
11. The antenna wires are not to be inserted into socket outlet.
12. Rechargeable battery pack is only to be charged by adult.

NOT SUITABLE FOR CHILDREN UNDER 3 YEARS OF AGE, DUE TO SMALL PARTS.

STEERING OPERATION

5. Push only the Left Driving Control Stick forward to turn Right. (See Diagram #9)
6. Push only the Right Driving Control Stick forward to turn Left. (See Diagram #10)

