

IC STATEMENT

This device contains licence-exempt transmitter(s)/receiver(s) that comply with Innovation, Science and Economic Development Canada's licence-exempt RSS(s). Operation is subject to the following two conditions:

1. This device may not cause interference.
2. This device must accept any interference, including interference that may cause undesired operation of the device.

L'émetteur/récepteur exempt de licence contenu dans le présent appareil est conforme aux CNR d'Innovation, Sciences et Développement économique Canada applicables aux appareils radio exempts de licence. L'exploitation est autorisée aux deux conditions suivantes :

1. L'appareil ne doit pas produire de brouillage;
2. L'appareil doit accepter tout brouillage radioélectrique subi, même si le brouillage est susceptible d'en compromettre le fonctionnement.

DOC STATEMENT

Hereby, [Scosche Industries Inc] declares that the radio equipment type [MGQ] is in compliance with Directive 2014/53/EU. The full text of the EU declaration of conformity is available at the following internet address: [www.http://scosche.com](http://www.scosche.com)

DECLARATION FOR EU COMPLIANCE

Frequency Bands: 110.577-147.115 kHz
Max. power transmitted: 33.9dBµA/m at 10m

For complete warranty details,
please visit us at www.scosche.com
or call (800) 363-4490

Register your product online at www.scosche.com/register



SCOSCHE

MGQ

MAGICGRIP™ WINDOW/DASH

SENSE AND GRIP WIRELESS CHARGING MOUNT

READ INSTRUCTIONS COMPLETELY BEFORE INSTALLING THIS MOUNT KIT.

WARNING: Use caution whenever removing or handling plastic parts of any vehicle. Unnecessary force or pressure can cause pieces to crack or break. Please use a plastic card to remove the metal plates. Remove adhesive residue with a non-abrasive cleaner.

AIRBAG WARNING: Do not place this pad, or any other object, on or near the airbag. In the event of deployment, objects placed on or near airbag could cause serious injury.

NOTICE TO DRIVERS: Please check your local and state vehicle codes regarding cell phone, GPS or portable device mounting laws and restrictions. Alternative Scosche mounting products are available, if windshield/dash mounting is prohibited in your state or locale. Scosche does not take any responsibility for any fines, penalties, or damages that may be incurred as a result of disregarding this notice.



IMPORTANT!
**DO NOT RETURN PRODUCT
TO THE RETAILER**

**IF YOU NEED ASSISTANCE OR REPLACEMENT PARTS
CALL US TOLL FREE: 1-800-363-4490 X1
HOURS MON-FRI 8AM-5:30PM (PST) SATURDAY 8AM-2PM (PST)**

PARTS INCLUDED

- (1) Wireless charging mount with motorized support arms
- (1) Window/dash mount with suction cup base
- (1) Dash mount with dual 360° rotation
- (1) Car power adapter
- (1) USB-C charge cable
- (2) Wire clips
- (1) Cleaning wipe

1. MAGICGRIP™ CHARGING MOUNT

1a. SENSE AND GRIP MOTORIZED SUPPORT ARMS

1b. Qi WIRELESS CHARGING AREA

1c. LED INDICATOR

1d. AMBIENT LIGHT SENSOR

1e. BALL END CONNECTOR (ball-joint allows angle adjustment and 360° rotation of mounted device)

1f. POWER ADAPTER PORT

2. WINDOW/DASH MOUNT

2a. BALL SOCKET

2b. SUCTION LEVER

2c. SUCTION-CUP MOUNT

3. DASH MOUNT

3a. BALL SOCKET

3b. INTEGRATED CABLE MANAGEMENT HOOK

3c. ADHESIVE MOUNTING PLATE

3d. FLEX TABS (for curved surfaces) **Note:** Carefully pre-bend the tabs 1-2 times before applying to the curved surface.

3e. MOUNTING ARM WITH DUAL 360° ROTATION

4. USB-C CABLE

5. 12V CAR POWER ADAPTER

(Only use provided adapter with MAGICGRIP™)

6. WIRE CLIPS (for power adapter cable - 2 included)

FCC STATEMENT

This device complies with Part 15 of the FCC Rules. Operation is subject to the following two conditions: (1) This device may not cause harmful Interference, and (2) this device must accept any interference received, including interference that may cause undesired operation. This transmitter must not be co-located or operating in conjunction with any other antenna or transmitter. Changes or modifications not expressly approved by the party responsible for compliance could void the user's authority to operate the equipment.

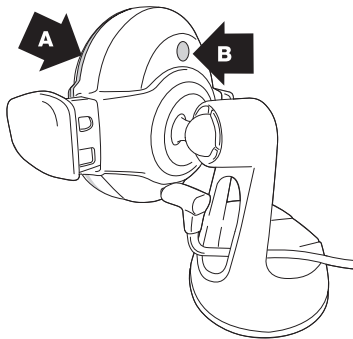
This equipment has been tested and found to comply with the limits for a Class B digital device, pursuant to Part 15 of the FCC Rules. These limits are designed to provide reasonable protection against harmful interference in a residential installation. This equipment generates uses and can radiate radio frequency energy and, if not installed and used in accordance with the instructions, may cause harmful interference to radio communications. However, there is no guarantee that interference will not occur in a particular installation. If this equipment does cause harmful interference to radio or television reception, which can be determined by turning the equipment off and on, the user is encouraged to try to correct the interference by one or more of the following measures:

- Reorient or relocate the receiving antenna.
- Increase the separation between the equipment and receiver.
- Connect the equipment into an outlet on a circuit different from that to which the receiver is connected.
- Consult the dealer or an experienced radio/TV technician for help.

Caution: Changes or modifications not expressly approved by the party responsible for compliance could void the user's authority to operate the product.

This equipment complies with FCC/IC radiation exposure limits set forth for an uncontrolled environment. This transmitter must not be co-located or operating in conjunction with any other antenna or transmitter.

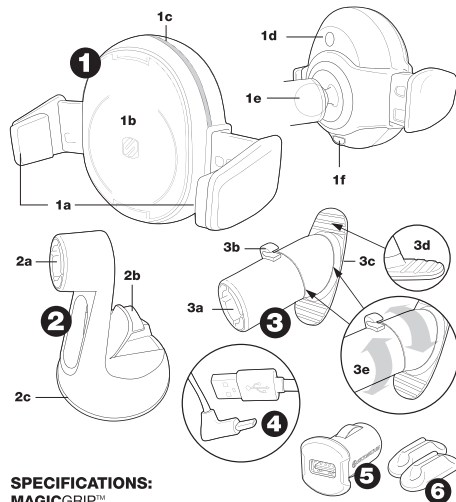
ce matériel est conforme aux limites de dose d'exposition aux rayonnements FCC/IC énoncées pour un autre environnement. cet émetteur ne doit pas être situé ou opérant conjointement avec toute autre antenne ou l'émetteur.



LED INDICATOR & AMBIENT LIGHT SENSOR

The LED indicator band around the edge of the mount (A) illuminates as shown in the chart below. The ambient light sensor (B) increases the LED's intensity in bright conditions and decreases the LED's intensity in low light conditions.

STATUS	LED
Power On	Illuminates RED, PURPLE & BLUE
Standby	OFF
Charging	BLUE
Protection Mode	Blinking RED

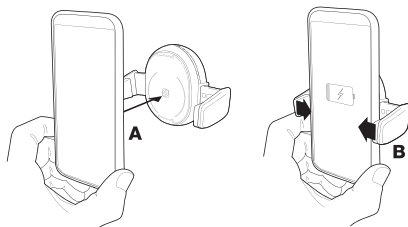


SPECIFICATIONS: MAGICGRIP™

Input: 5VDC --- 3A, 9VDC --- 2A , 12VDC --- 1.5A
Output: 15W Max.

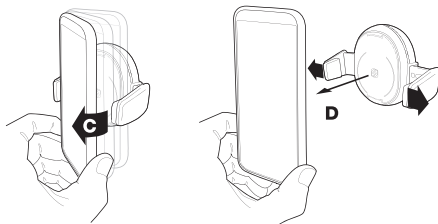
12V Power Adapter

Model: CQA8
Manufacturer: L Lab Corporation(Hui Zhou) Limited
Input: DC 12V, 1.8A
Output: DC 3.6-6.5V --- 3A, 6.5-9V --- 2A, 9-12V --- 1.5A, 2.0A Max



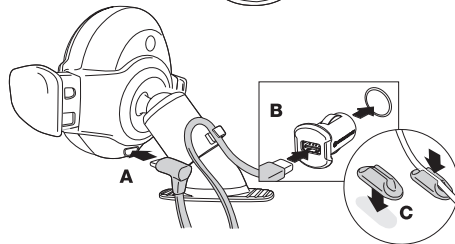
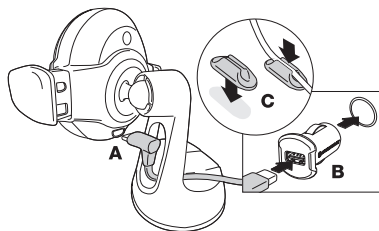
MAGICGRIP™ “SENSE AND GRIP”

Place your device against the charging pad as shown (A). When the charging areas on the device and **MAGICGRIP™** are aligned, the support arms will sense contact and close automatically (B).



To remove the device, gently pivot the device away from the charging pad (C). **MAGICGRIP™** will sense when contact with the charging pad is broken, and the support arms will open automatically (D).

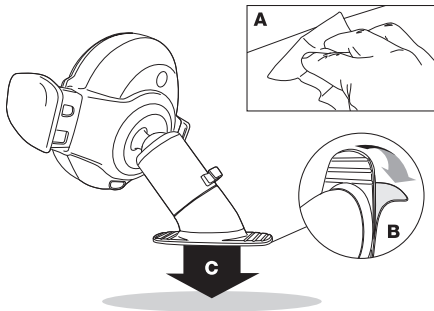
Note: Support arms will only open when no device is detected.



WIRELESS CHARGING

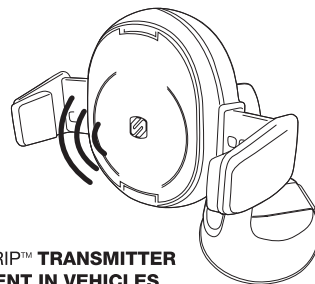
Plug the magnetic mount into your vehicle's 12V socket using the included USB-C cable and 12V power adapter as shown (A & B).

Optional: Attach the included adhesive clips (C) to the dash or console to secure the cable.



DASH MOUNT

1. Clean the dash surface with supplied cleaning wipe (A).
Note: Wipe may cause discoloration of certain plastics, vinyls and painted surfaces. It is recommended to test in an inconspicuous area first.
2. Peel the adhesive backing from the bottom of the mounting base (B), and place in position (C). Apply firm pressure.



MAGICGRIP™ TRANSMITTER PLACEMENT IN VEHICLES

It is possible for the transmitter to interfere with some wireless systems within a car. Specifically, key fobs with immobilizers, keyless start systems or tire pressure monitors. Therefore, it is recommended to test the location of your transmitter before deciding on final placement.

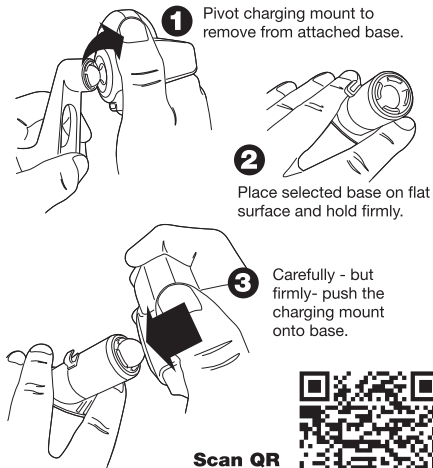
Most interference issues will be minimized by considering the following placement guidelines:

- Install transmitter a minimum of 10 inches away from the ignition lock, key fob docking station, or any location where the key fob might be stored while driving.

If the transmitter cannot be located a sufficient distance away as described above, please use the following suggestions whenever possible:

- Insert the key fob into the docking slot whenever possible while operating the transmitter.
- Connect the transmitter to a 12 volt accessory port that is powered only while the vehicle's ignition is in the "ACC" or "ON" position.
- Place phone on transmitter after vehicle is started.

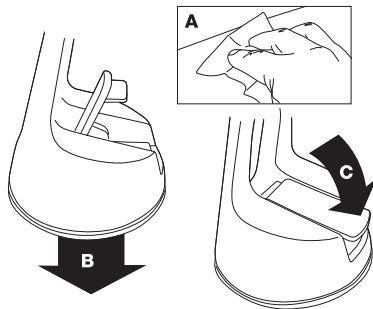
SWITCHING MOUNTING BASE



Scan QR
code for
more info



Questions?
Need help with your Product?
Call Customer Service at:
(800) 363-4490 x1



WINDOW/DASH SUCTION CUP MOUNT

NOTE: STICKGRIP™ suction cup may leave residue or discoloration on some surfaces. It may also leave a ring of residue when mounted to the dash.

1. Find a location on your dashboard/windshield that is out of your direct line of sight.
2. Clean the surface on your preferred dashboard or windshield location with the supplied cleaning wipe (A)*.
3. Peel off the wrapping from the bottom of the base and position on your preferred location (B).
4. Press down on the base to apply pressure and lock the suction lever (C).

***Note:** Wipe may cause discoloration of certain plastics, vinyls and painted surfaces. It is recommended to test in an inconspicuous area first.