

1400mm dia. Navigation Buoy

TRIDENT-1400

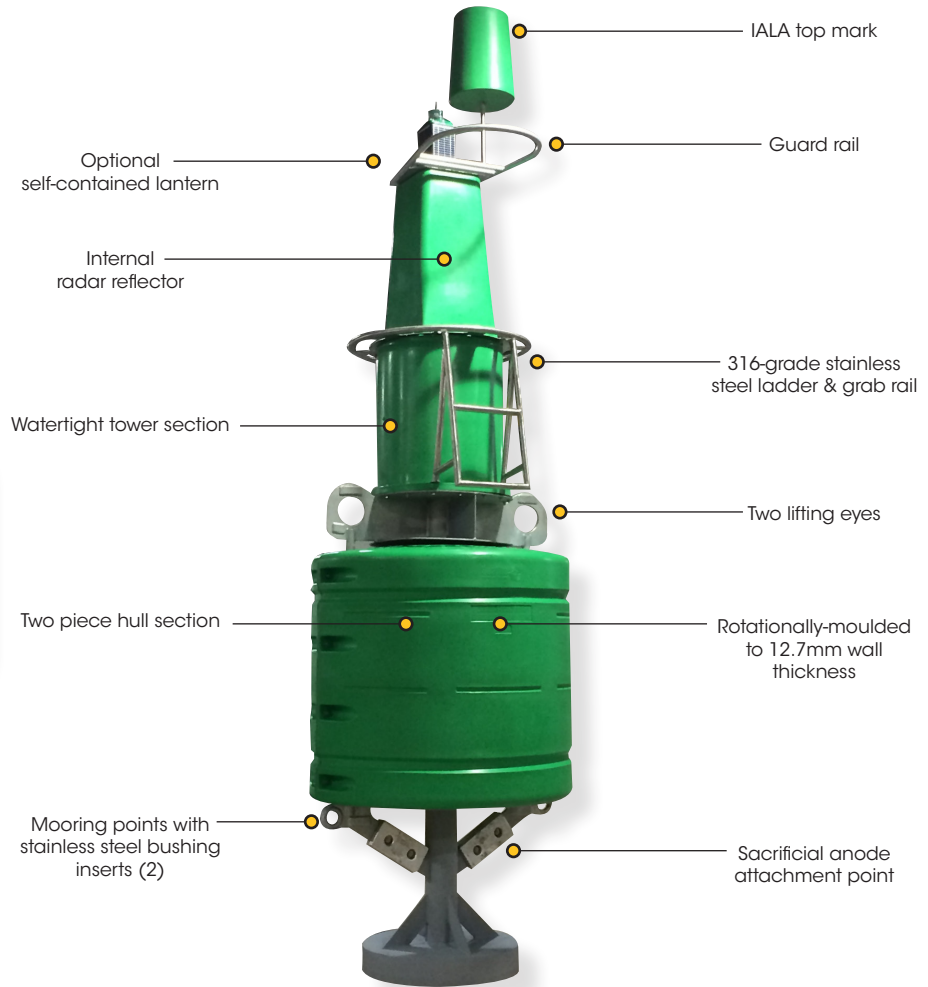
Sealite have a range of mooring chains & accessories - ask your representative today how we can supply your complete mooring solution

The Sealite Advantage

- High visibility red, green, white or yellow as per IALA recommendations
- 1.4mtr diameter
- Robust construction of 2 piece hull section
- Lightweight
- Excellent buoyancy & stability
- Easy to deploy & service
- Free-standing mooring post with ballast for easy storage & shipping
- Float & mooring assembly stand upright in a high cube container
- No painting
- Cost effective & environmentally friendly



Sealite buoy products are made from recyclable materials. As a service to customers, individual components and products at the end of their service life may be returned to Sealite for recycling.



The TRIDENT-1400 is a rotationally-moulded navigation buoy with a float diameter of 1.4 meters and lantern focal height of at least 2.7 meters.

The float section of the TRIDENT-1400 is built from two (2) rotationally-moulded sections, which fasten together to form an incredibly robust 1.4 meter wide float section. Each hull section is moulded from UV-stabilized, virgin polyethylene, and has a 13mm wall thickness. Each section is filled with closed-cell polyurethane, which prevents the ingress of moisture in the unlikely event of damage.

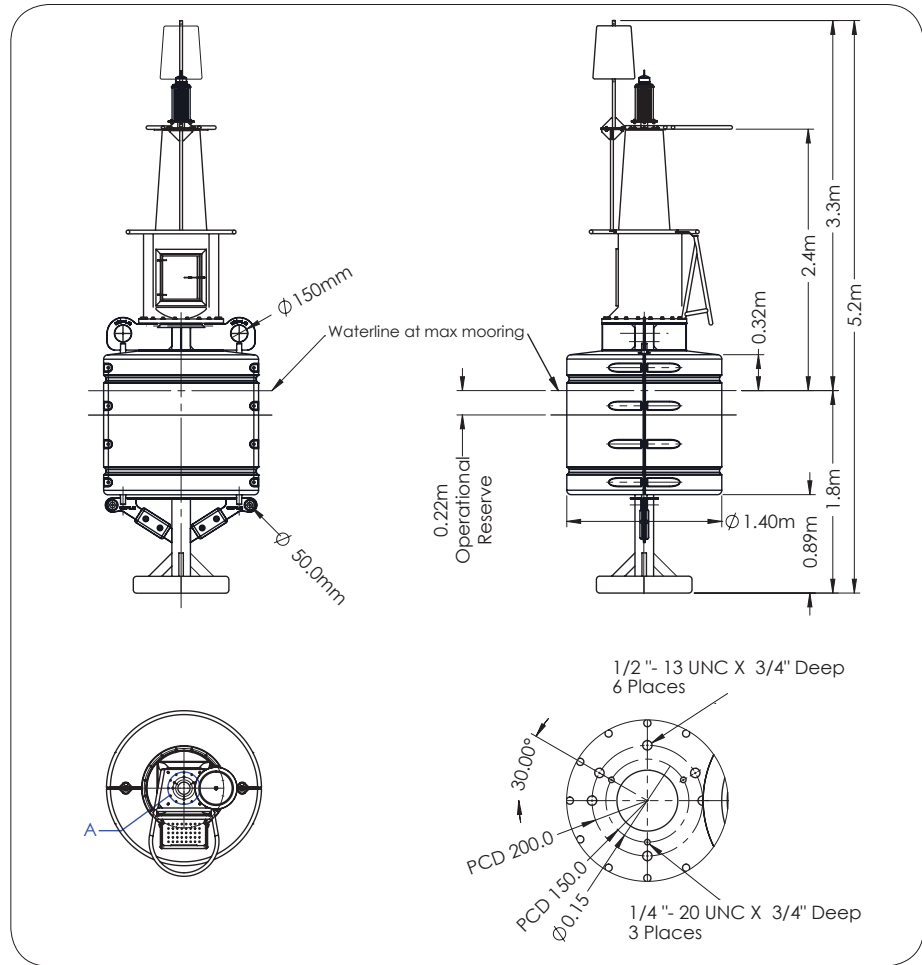
The poly-tower design provides a huge visual area for navaid recognition, and consists of a sealed, rotationally-moulded tower section. The tower incorporates an internal radar reflector and lantern attachment points.

A galvanised steel mooring post runs through the centre of the assembly, to which the tower section is fastened. An integrated ladder runs vertically up the tower to the top of the platform and two large lifting eyes aid in buoy mooring and periodic servicing.

The TRIDENT-1400 can be supplied in all IALA colours.

1400mm dia. Navigation Buoy

TRIDENT-1400



SPECIFICATIONS* * TRIDENT-1400

General Characteristics

Available Colours
Focal Plane Height (mm/inches)
Total Float Volume (ltrs/US gallon)
Nominal Freeboard (mm/inches)
Nominal Draft (mm/inches)
Reserve Buoyancy (kgs/lbs)
Draft, Maximum (mm/inches)
Freeboard, Minimum (mm/inches)
Safe Working Load, lift (kgs/lbs)
Safe Mooring Load, (kgs/lbs)
Submergence (kg/cm, lb/inches)
Visual Area (m²/ft²)
Water Area (m²/ft²)

Red, Green, White, Yellow as per IALA Recommendations
2700 / 106¼ (nominal)
1888 / 498
540 / 21¼
1580 / 62¼
570 / 1256
1800 / 70⁷/₈
320 / 12⁵/₈
4000 / 8818 (per eye)
2400 / 5290 (per mooring point)
15 / 84
2.4 / 25.8 (nominal)
1.3 / 14.0

Mooring Details

Minimum recommended anchor size (kg/lbs)
Recommended mooring mass (kg/lbs)

Wet weight: 1300 / 2866
Minimum: 250 / 551
Maximum: 600 / 1323

Physical Characteristics

Material

Rotationally-moulded UV-stabilized virgin polyethylene float section, tower assembly and top marks.
316-grade stainless steel fixtures.

Wall Thickness (mm/inches)
Ballast (kg/lbs)
Overall Height (mm/inches)
Width (mm/inches)
Mass with Ballast(kg/lbs)
Radar Reflector
Product Life Expectancy

13 / ½
490 / 1080 (external steel)
5200 / 204¾
1400 / 55¹/₈
907 / 2000 (depending on payload)
Echomax EM230
>20 years

Certifications

Quality Assurance

ISO9001:2008

Intellectual Property

Trademarks

SEALITE® is a registered trademark of Sealite Pty Ltd
5 years

Warranty*

Lantern Options

Options Available

Sealite SL-C310, SL-C410, SL-C415, SL-C420, SL-125 Series or SL-155 Series
• Mould-in graphics
• Monitoring Systems (AIS, GSM)

* Specifications subject to change or variation without notice
* Subject to standard terms and conditions

