

**Sears**

**SPORTS CENTER**

**MODEL NOS.**

**259.73551-100**

Color: White

**259.73551-300**

Color: Avocado

**259.73551-500**

Color: Gold

**259.73551-700**

Color: Blue

**CAUTION:** Read Owner's Manual and instructions on package for safe use of waste holding tank deodorant.

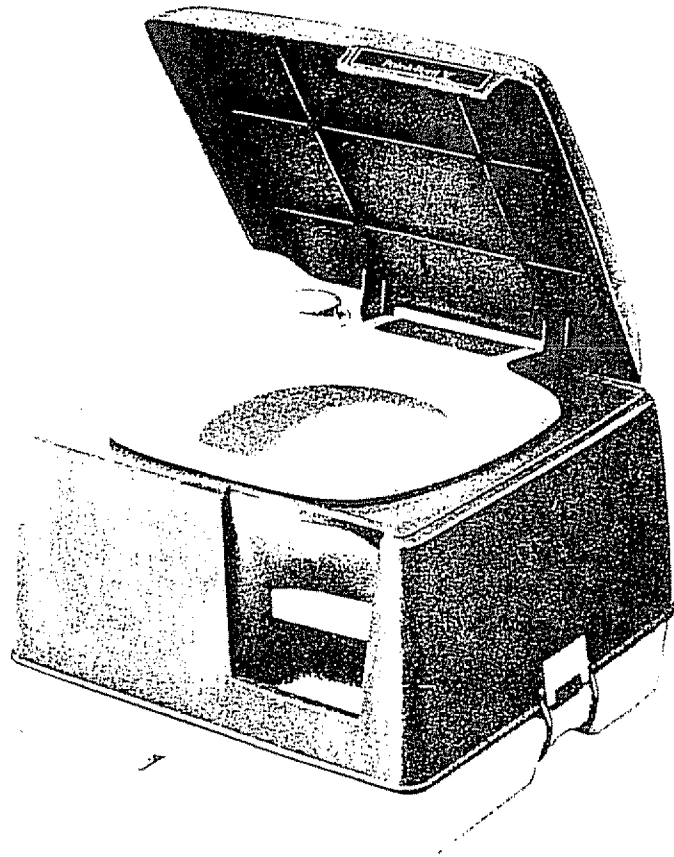
- operation
- cleaning
- repair parts
- optional accessories

**OWNER'S MANUAL**

PART NO. 12250

# **Pak-A-Potti® V**

## **PORTABLE TOILET**



Sears, Roebuck and Co., Chicago, IL 60684

# ALL ABOUT YOUR SEARS Pak-A-Potti V

## General information

A portable, two-tank design is the primary feature of the Pak-A-Potti V. The fresh water storage tank assembly includes a fresh water storage tank, flush bellows, cover, seat and a threaded holding tank cap. The lower section consists of a waste holding tank, a foot-operated flush pedal and a threaded holding tank cap. The waste holding tank is detached, for easy carrying of the waste holding tank to a permanent toilet facility, by releasing two side clasp handles. Pak-A-Potti™ Deodorant is placed in the waste holding tank to help reduce odors.

## DANGER POISON:

Pak-A-Potti™ deodorant may be harmful or fatal if swallowed. Causes severe burns. Strong sensitizer. Contains methyl alcohol and formaldehyde. Cannot be made nonpoisonous. Avoid contact with skin, eyes, and mucous membranes. Avoid prolonged or repeated breathing of vapor. Prolonged or repeated contact may cause allergic irritation.

**FIRST AID:** In case of contact, flush with water for 15 minutes. For eyes get prompt medical attention. If swallowed give 1 or 2 glasses of water and induce vomiting. Milk or egg white in water may be given. Call physician or Poison Control Center promptly.

Read caution on back label carefully. Children and handicapped should be instructed for proper usage. Keep out of reach of children.

Do not add Pak-A-Potti™ deodorants directly into toilet bowl while mechanism valve is closed. Pressure due to heat and altitude change can build up in the waste holding tank causing bowl contents to splash upward upon opening the mechanism valve.

Before each use, open and shut foot-operated flush pedal with seat cover closed to vent the waste holding tank.

## Operation and maintenance

### 1. Preparing the waste holding tank for use:

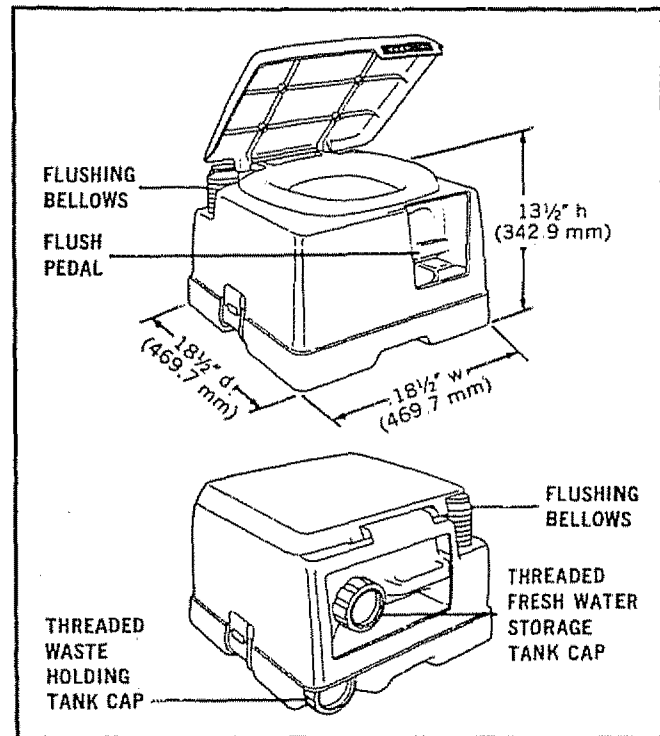
Release the two side clasp handles and set aside the top tank assembly. Position the waste holding tank with the handle and cap upright. Remove the cap and pour 4 oz. Pak-A-Potti™ Deodorant or one 2 oz. packet of Pak-A-Potti™ Powder Deodorant, into the waste holding tank. Replace and tighten cap (see deodorant carton).

### 2. Filling the fresh water storage tank:

Position the fresh water storage tank assembly with the handle and cap facing upright. Remove cap and fill tank to the specified level with fresh water. Replace cap and tighten securely. Assemble and fasten fresh and waste water tank together with clasp handles. Depress foot-operated flush pedal and bellows at the same time for an initial dilution of Pak-A-Potti™ Deodorant. **DO NOT ADD PAK-A-POTTI™ DEODORANT OR ANY OTHER DEODORANT TO THE FRESH WATER STORAGE TANK.**

### 3. Flushing the toilet bowl:

**BEFORE EACH USE, DEPRESS FOOT-OPERATED FLUSH PEDAL WITH SEAT COVER CLOSED TO VENT WASTE HOLDING TANK.** Adding a sheet of tissue or bellows water to the bowl is optional. After using, depress foot-operated flush pedal and flushing bellows at the same time. This double action will result



in the best available bowl rinse and efficient use of water.

### 4. Emptying the waste holding tank:

The waste holding tank is ready to empty when contents approach the mechanism valve. **DO NOT OVERFILL THE WASTE HOLDING TANK.** Remove fresh water storage tank by releasing clasp handles. Carry waste holding tank to any permanent toilet facility. Shake waste holding tank to break up solids. Remove cap. Pour contents gently into toilet. Rinse once or twice with fresh water if convenient. **NOTE:** Use conditions, storage time and temperature, will affect the frequency of emptying the tank.

### 5. For winter operation:

Add Sears Pak-A-Potti™ Anti-Freeze to fresh water storage tank. Dilute per instructions. Add 4 oz. Pak-A-Potti™ Deodorant or one 2 oz. packet of Pak-A-Potti™ Powder Deodorant to waste holding tank. **DEPRESS AND REFILL FLUSHING BELLOWS TO PREVENT BELLOWS FREEZE DAMAGE. DO NOT USE AUTOMOTIVE TYPE ANTI-FREEZE SINCE IT IS TOXIC.**

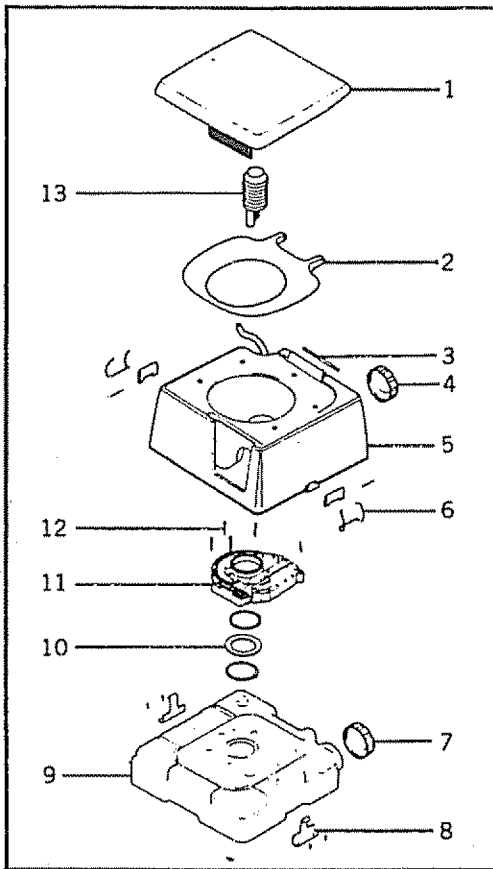
### 6. Cleaning and maintenance:

Use Pak-A-Potti™ Bowl Cleaner to clean plastic seat, tank, and bowl. **DO NOT USE SCOURING POWDERS, ACIDS, OR CONCENTRATED CLEANERS WHICH CAN DAMAGE PLASTIC PARTS AND RUBBER SEALS.**

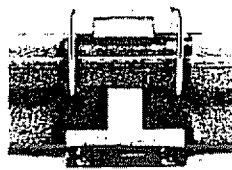
Minor home service is possible on the rubber blade seal if a leak develops due to an obstruction. Insert dull end of coat hanger or smooth end of wooden stick into rubber sealing groove to remove obstruction. Mechanism valve blade may be lubricated with silicone spray.

### 7. Storage:

Empty all water from fresh water storage tank and waste holding tank. Empty flushing bellows by depressing. Rinse out waste holding tank with solution of one cup household bleach per gallon of water. Shake, drain, air dry and recap.



Key No.	Part No.	Description
1a	12111-100	White—Cover with Nameplate (included in 08071)
1b	12111-300	Avocado—Cover with Nameplate (included in 08071)
1c	12111-500	Gold—Cover with Nameplate (included in 08071)
1d	12111-700	Blue—Cover with Nameplate (included in 08071)
2	03218	Seat (included in 08071)
3	09994	Hinge Pin Kit (included in 08071)
4	09997W	Cap Package
5a	08071-100	White Water Tank Assy (includes Key No's 1, 2, 3, 6 and 13)
5b	08071-300	Avocado Water Tank Assy (includes Key No's 1, 2, 3, 6 and 13)
5c	08071-500	Gold Water Tank Assy (includes Key No's 1, 2, 3, 6 and 13)
5d	08071-700	Blue Water Tank Assy (includes Key No's 1, 2, 3, 6 and 13)
6	12114	(2) Clasp Handle Kit (included in 08071)
7	09997W	Cap Package
8	09057	Tie Down Kit (optional). See picture below.
9	03355	Holding Tank Assy (includes Key No's 10, 11 and 12)
10	12112	Seal Kit (included in 09867)
11	08258	Mechanism Assy (included in 03355)
11a	09867	Mechanism Repair Package
12	05147	(5) Screws (included in 03355)
13	05977W	Bellows Replacement Pkg (included in 08071)
—	12250	Owners Manual (Not Shown)



### SPECIFICATIONS

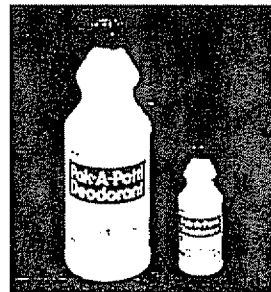
Capacity: Waste Holding Tank—4 gallons (15.1 liters)  
Water Storage Tank—2½ (10.4 liters)

Material: Polyethylene and ABS

Size: 18½" w (469.7 mm),  
18½" d (469.7 mm),  
13½" h (342.9 mm)

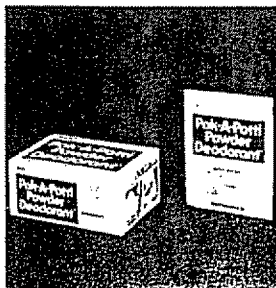
Acceptable for use in vessels not having permanently installed toilets, as determined by U. S. Coast Guard Regulations.

## FOR ADDED CONVENIENCE ORDER THESE Pak-A-Potti™ ACCESSORIES



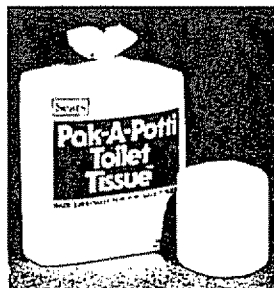
### Pak-A-Potti™ Deodorant

Controls odor in waste holding tank. Fresh pleasant odor. Compatible with all sanitation systems. Biodegradable. Septic tank safe. Child resistant cap. Model No. 6 73531. Box of six 8 fl. oz. disposable bottles. (One 8 oz. bottle illustrated.) Model No. 6 73533. 32 fl. oz. 1-quart bottle.



### Pak-A-Potti™ Powder Deodorant

Specially designed for portable toilets. Packaged in convenient premeasured 2 oz. foil packets. Biodegradable, fresh pleasing odor. Goes to work instantly. Helps keep holding tank clean. Model No. 6 73535. Six 2-oz. packets.



### Pak-A-Potti™ Toilet Tissue

Snowy-white, specially formulated water-soluble toilet tissue. Flushes easily from bowl. Disintegrates rapidly in waste holding tank. Helps prevent messy clogs. Recommended for all portable and fixed sanitation systems.

Model No. 6 73537. Package of four rolls.



### Pak-A-Potti™ Bowl Cleaner

Leaves toilet bowl clean and fresh. Non-abrasive soft scour. Freshens and cleans portable waste holding tanks for reuse and storage. Harmless to plastic parts, mechanical parts and seals. Perfect for porcelain bowls, too.

Model No. 6 73539. 32 fl. oz. 1-quart bottle.



### Pak-A-Potti™ Toilet Anti-Freeze

Anti-freeze for portable toilets. Helps protect Pak-A-Potti toilets at even sub-zero temperatures.

Model No. 6 73545. One gallon bottle.



**SPORTS CENTER**

**MODEL NOS.**

**259.73551-100**

Color: White

**259.73551-300**

Color: Avocado

**259.73551-500**

Color: Gold

**259.73551-700**

Color: Blue

**HOW TO  
ORDER  
REPAIR  
PARTS**

**OWNER'S MANUAL**

PART NO. 12250

# Pak-A-Potti® V

## PORTABLE TOILET

The Model Number will be found on the instruction label located on the underside of the toilet cover. Always mention the Model Number when requesting service or repair parts for your Sears Portable Toilet.

All parts listed herein may be ordered from SEARS, ROEBUCK AND COMPANY Retail and Catalog Store.

**WHEN ORDERING REPAIR PARTS,  
ALWAYS GIVE THE FOLLOWING INFORMATION:**

1. PART NUMBER
2. PART DESCRIPTION
3. MODEL NUMBER 259.73551— (plus color no.)
4. NAME OF ITEM "Pak-A-Potti® V"

If parts are not stocked locally, your order will be electronically transmitted to a Sears Repair Parts Distribution Center for expedited handling.

Sears, Roebuck and Co., Chicago, IL 60684