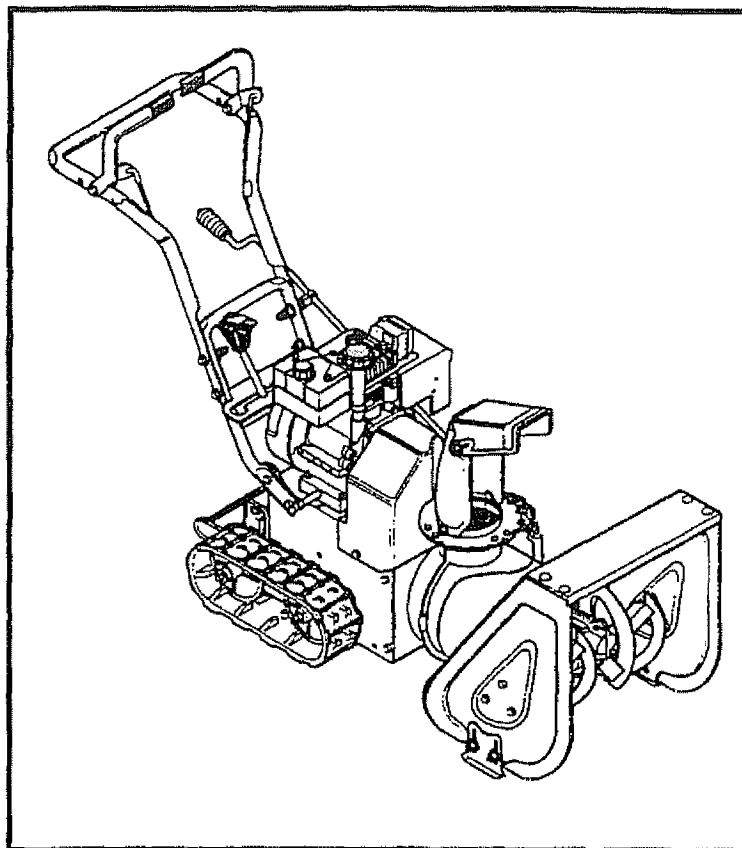


**SEARS**  
OWNER'S  
MANUAL

MODEL NO.  
536.884821

**Caution:**  
Read and Follow  
All Safety Rules  
and Instructions  
Before Operating  
This Equipment



**CRAFTSMAN®**

**5 HORSEPOWER  
24" DUAL STAGE  
FREE-WHEELING TRACK  
SNOW THROWER  
Optional Electric Start**

- Assembly
- Operation
- Maintenance
- Service and Adjustments
- Repair Parts

---

**SEARS, ROEBUCK AND CO., Chicago, IL 60684 U.S.A.**

---

## SAFETY RULES



CAUTION: ALWAYS DISCONNECT SPARK PLUG WIRE AND PLACE WIRE WHERE IT CANNOT CONTACT SPARK PLUG TO PREVENT ACCIDENTAL STARTING WHEN SETTING-UP, TRANSPORTING, ADJUSTING OR MAKING REPAIRS.



### IMPORTANT

SAFETY STANDARDS REQUIRE OPERATOR PRESENCE CONTROLS TO MINIMIZE THE RISK OF INJURY. YOUR SNOW THROWER IS EQUIPPED WITH SUCH CONTROLS. DO NOT ATTEMPT TO DEFEAT THE FUNCTION OF THE OPERATOR PRESENCE CONTROL UNDER ANY CIRCUMSTANCES.

#### BEFORE USE

- Read the Owner's Manual carefully. Be thoroughly familiar with the controls and the proper use of the snow thrower. Know how to stop the snow thrower and disengage the controls quickly.
- Do not operate the snow thrower without wearing adequate winter outer garments. Wear footwear that will improve footing on slippery surfaces.
- Keep the area of operation clear of all persons, particularly small children, and pets.
- Thoroughly inspect the area where the snow thrower is to be used and remove all doormats, sleds, boards, wires, and other foreign objects.
- Use extension cords and receptacles as specified by the manufacturer for all snow throwers with electric drive motors or with factory-installed or optional starting motors.
- Use only attachments and accessories approved by the manufacturer of the snow thrower (such as electric starter kits, etc.)
- Never operate the snow thrower without good visibility or light. Always be sure of your footing, and keep a firm hold on the handles. Walk: never run.
- This snow thrower is for use on sidewalks, driveways, and other ground level surfaces. CAUTION should be exercised while using on steep sloping surfaces. DO NOT USE SNOW THROWER ON SURFACES ABOVE GROUND LEVEL such as roofs of residences, garages, porches or other such structures or buildings.
- Check shear bolts and other bolts at frequent intervals for proper tightness to be sure the snow thrower is in safe working condition.
- Disengage all clutches and shift into neutral before starting the engine.
- Adjust the snow thrower height to clear gravel or crushed rock surface.
- Let engine and snow thrower adjust to outdoor temperatures before starting to clear snow.

#### FUEL SAFETY

- Handle fuel with care; it is highly flammable.
- Use an approved fuel container.
- Check fuel supply before each use, allowing space for expansion as the heat of the engine and/or sun can cause fuel to expand.
- Fill fuel tank outdoors with extreme care. Never fill fuel tank indoors.
- Replace fuel tank cap securely and wipe up spilled fuel.
- Never remove fuel tank cap or add fuel to a running engine or hot engine.
- Never store fuel or snow thrower with fuel in the tank inside a building where fumes may reach an open flame or spark.

#### OPERATING SAFETY

- Never allow children or young teenagers to operate the snow thrower and keep them away while it is operating. Never allow adults to operate the snow thrower without proper instruction. Do not carry passengers.
- Always wear safety glasses or eye shields during operation or while performing an adjustment or repair to protect eyes from foreign objects that may be thrown from the snow thrower.
- Exercise extreme caution when operating on or crossing gravel drives, walks, or roads. Stay alert for hidden hazards or traffic.
- Do not put hands or feet near or under rotating parts. Keep clear of the discharge opening at all times.
- Exercise caution to avoid slipping or falling, especially when operating in reverse or backing up.
- Do not clear snow across the face of slopes. Exercise caution when changing direction on slopes. Do not attempt to clear steep slopes.
- Never operate the snow thrower without proper guards, plates or other safety protective devices in place.

## SAFETY RULES

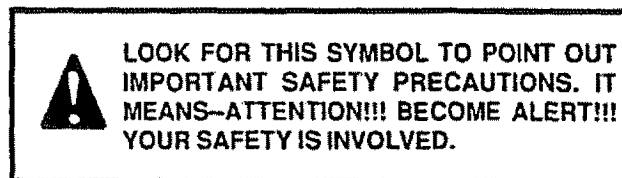
- Never operate the snow thrower near glass enclosures, automobiles, window wells, drop-offs, and the like without proper adjustment of the snow discharge angle. Keep children and pets away.
- Never operate the snow thrower at high transport speeds on slippery surfaces. Look behind and use care when backing.
- Never direct discharge at bystanders or allow anyone in front of the snow thrower.
- Do not run the engine indoors, except when starting the engine and for transporting the snow thrower in or out of the building. Open the outside doors; exhaust fumes are dangerous (containing CARBON MONOXIDE, an ODORLESS and DEADLY GAS).
- Take all possible precautions when leaving the snow thrower unattended. Disengage the auger/impeller, shift to neutral, stop engine, and remove key.
- Do not overload the machine capacity by attempting to clear snow at too fast a rate.

### SAFE STORAGE

- Always refer to Owner's Manual instructions for important details if the snow thrower is to be stored for an extended period.
- Disengage power to the auger/impeller when snow thrower is transported or not in use.
- Never store the snow thrower with fuel in the fuel tank inside a building where ignition sources are present such as hot water and space heaters, clothes dryers, and the like. Allow the engine to cool before storing in any enclosure.

### REPAIR/ADJUSTMENTS SAFETY

- After striking a foreign object, stop the engine remove the wire from the spark plug or disconnect the cord from the electric motor. Thoroughly inspect the snow thrower for any damage and repair the damage before restarting and operating the snow thrower.
- If the snow thrower should start to vibrate abnormally, stop the engine or electric motor and check immediately for the cause. Vibration is generally a warning of trouble.
- Stop the engine or electric motor whenever you leave the operating position before unclogging the auger/impeller housing or discharge guide, and when making any repairs, adjustments, or inspections. Remove wire form spark plug or disconnect cord from electric motor.
- When cleaning, repairing, or inspecting, make certain the auger/impeller and all moving parts have stopped. Disconnect the spark plug wire and keep the wire away from the plug to prevent accidental starting.
- Never attempt to make any adjustments while the engine is running (except when specifically recommended in this manual).
- Maintain or replace safety and instruction labels, as necessary.
- Run the snow thrower a few minutes after throwing snow to prevent freeze-up of the auger/impeller.



**CONGRATULATIONS** on your purchase of a Sears Craftsman Snow Thrower. It has been designed, engineered and manufactured to give you the best possible dependability and performance.

Should you experience any problem you cannot easily remedy, please contact your nearest Sears Service Center/Department. We have competent, well-trained technicians and the proper tools to service or repair this unit.

Please read and retain this manual. The instructions will enable you to assemble and maintain your snow thrower properly. Always observe the "SAFETY RULES."

MODEL  
NUMBER 536.884821

SERIAL  
NUMBER \_\_\_\_\_  
DATE OF  
PURCHASE \_\_\_\_\_

THE MODEL AND SERIAL NUMBERS WILL BE FOUND ON A DECAL ATTACHED TO THE REAR OF THE SNOW THROWER HOUSING.

YOU SHOULD RECORD BOTH SERIAL NUMBER AND DATE OF PURCHASE AND KEEP IN A SAFE PLACE FOR FUTURE REFERENCE.

### MAINTENANCE AGREEMENT

A Sears Maintenance Agreement is available on this product. Contact your nearest Sears Store for details.

### CUSTOMER RESPONSIBILITIES

- Read and observe the safety rules.
- Follow a regular schedule in maintaining, caring for and using your snow thrower.
- Follow the instructions under "Maintenance" and "Storage" sections of this owner's manual.

## TWO YEAR LIMITED WARRANTY ON CRAFTSMAN SNOW THROWER

For two years from the date of purchase, when this Craftsman Snow Thrower is maintained, lubricated and tuned-up according to the instructions in the owner's manual, Sears will repair, free of charge, any defect in material and workmanship.

If this Craftsman Snow Thrower is used for commercial or rental purposes, this warranty applies for only 90 days from the date of purchase.

This warranty does not cover the following:

- Expendable items which become worn during normal use, such as spark plugs, drive belts and shear pins.
- Repairs necessary because of operator abuse or negligence, including bent crankshafts and the failure to maintain the equipment according to the instructions contained in the owner's manual.

WARRANTY SERVICE IS AVAILABLE BY RETURNING THE CRAFTSMAN SNOW THROWER TO THE NEAREST SEARS SERVICE CENTER/DEPARTMENT IN THE UNITED STATES. THIS WARRANTY APPLIES ONLY WHILE THIS PRODUCT IS IN USE IN THE UNITED STATES.

This warranty gives you specific legal rights, and you may also have other rights which may vary from state to state.

SEARS, ROEBUCK AND CO. Department 731CR-W, Sears Tower, Chicago, IL 60684

### PRODUCT SPECIFICATIONS

<b>HORSE POWER:</b>	<b>5 hp</b>
<b>DISPLACEMENT:</b>	<b>10.49 cu. In.</b>
<b>GASOLINE CAPACITY:</b>	<b>2 quart Unleaded</b>
<b>OIL (20 oz. Capacity):</b>	<b>SAE 10W-30 or 5W-30*</b>
<b>SPARK PLUG : (GAP .030 In.)</b>	<b>Champion RJ19LM</b>
<b>VALVE CLEARANCE:</b>	<b>Intake: .010 In. Exhaust: .010 In.</b>

\*S.A.E. 5W-30 motor oil may be used to make starting easier in areas where the temperature is 20° F or lower.

### OPTIONAL ACCESSORY

An electric starter kit (Stock No. 71-8894) is available for this snow thrower and may be ordered through Sears Retail or Catalog Stores. Installation instructions for the electric starter are included in this kit.

## TABLE OF CONTENTS

SAFETY RULES .....	2,3	MAINTENANCE .....	15-16
PRODUCT SPECIFICATIONS .....	4	SERVICE AND ADJUSTMENTS .....	17-24
CUSTOMER RESPONSIBILITIES .....	4	STORAGE .....	25
WARRANTY .....	4	SERVICE RECOMMENDATIONS .....	26
TABLE OF CONTENTS .....	5	TROUBLE SHOOTING .....	27
INDEX .....	5	REPAIR PARTS (SNOW THROWER) .....	28-40
ASSEMBLY .....	6-9	REPAIR PARTS (ENGINE) .....	41-44
OPERATION .....	10-14	PARTS ORDERING/SERVICE .....	Back Cover

## INDEX

<p style="text-align: center;"><b>A</b></p> <p>Adjustment:</p> <ul style="list-style-type: none"> <li>Auger ..... 18</li> <li>Belt ..... 18</li> <li>Belt Guide ..... 20</li> <li>Cable ..... 18</li> <li>Carburetor ..... 24</li> <li>Friction Wheel ..... 21</li> <li>Spark Plug ..... 24</li> <li>Track ..... 23</li> <li>Traction and Auger ..... 18</li> </ul> <p>Assembly:</p> <ul style="list-style-type: none"> <li>Crank Assembly ..... 8</li> <li>Shifter Lever ..... 9</li> <li>Skid Height Adjustment ..... 7, 17</li> <li>Unpacking ..... 7</li> </ul> <p style="text-align: center;"><b>B</b></p> <p>Belts:</p> <ul style="list-style-type: none"> <li>Adjust Belts ..... 18</li> <li>Belt Guide Adjustment ..... 20</li> <li>Belt Maintenance ..... 15</li> <li>Replace Belts ..... 19, 20</li> </ul> <p style="text-align: center;"><b>C</b></p> <p>Cables Clutch ..... 7, 9, 18</p> <p>Carburetor ..... 24, 25</p> <p>Chain ..... 15</p> <p>Choke ..... 10, 11, 13</p> <p>Clutch Levers ..... 10, 11</p> <p>Controls:</p> <ul style="list-style-type: none"> <li>Engine ..... 10, 11, 13, 14</li> <li>Snow Thrower ..... 10</li> </ul> <p>Crank:</p> <ul style="list-style-type: none"> <li>Adjusting Rod ..... 8, 17</li> <li>Assembly ..... 8</li> <li>Operation ..... 11</li> </ul> <p>Customer Responsibilities ..... 4</p> <p style="text-align: center;"><b>D</b></p> <p>Drive, Auger ..... 11</p> <p>Drive, Traction ..... 11</p> <p>Deflector, Snow Chute ..... 11</p> <p style="text-align: center;"><b>E</b></p> <p>Engine:</p> <ul style="list-style-type: none"> <li>Control ..... 10, 11, 13, 14</li> <li>Oil Cap ..... 12, 16</li> <li>Oil Change ..... 16</li> <li>Oil Level ..... 12, 16</li> <li>Oil Type ..... 4, 12, 16</li> <li>Speed Governor ..... 24</li> <li>Starting ..... 13</li> <li>Storage ..... 25</li> </ul>	<p style="text-align: center;"><b>F</b></p> <p>Free-Wheel, Track ..... 12</p> <p>Fuel, Type ..... 4, 13</p> <p>Fuel, Storage ..... 13, 25</p> <p>Friction Wheel:</p> <ul style="list-style-type: none"> <li>Adjustment ..... 21</li> <li>Replacement ..... 22</li> </ul> <p style="text-align: center;"><b>G</b></p> <p>Gears:</p> <ul style="list-style-type: none"> <li>Auger Gear Box ..... 15</li> <li>Hex Shaft ..... 15</li> </ul> <p style="text-align: center;"><b>H</b></p> <p>Handle, Upper and Lower ..... 8</p> <p>Height Adjust Skids ..... 7, 17</p> <p>Hex Shaft ..... 15, 22</p> <p style="text-align: center;"><b>I</b></p> <p>Ignition, Key ..... 10, 11, 13, 14</p> <p>Index ..... 5</p> <p style="text-align: center;"><b>L</b></p> <p>Levers</p> <ul style="list-style-type: none"> <li>Auger Drive Clutch ..... 7, 9, 10, 11, 18</li> <li>Choke ..... 10, 11, 13, 14</li> <li>Shifter ..... 9, 10</li> <li>Throttle Control ..... 10, 11, 13, 14</li> <li>Traction Drive Clutch ..... 7, 9, 10, 11, 18</li> </ul> <p>Lubrication:</p> <ul style="list-style-type: none"> <li>Auger Gear Box ..... 15</li> <li>Auger Shaft ..... 15, 26</li> <li>Chart ..... 26</li> <li>Engine ..... 14, 16</li> <li>Hex Shaft and Gears ..... 15</li> <li>Weight Transfer System ..... 12, 15</li> </ul> <p style="text-align: center;"><b>M</b></p> <p>Maintenance:</p> <ul style="list-style-type: none"> <li>Agreement ..... 4</li> <li>Auger Gear Box ..... 15</li> <li>Auger Shaft ..... 15</li> <li>Engine ..... 16</li> <li>General Recommendations ..... 15</li> <li>Hex Shaft and Gears ..... 15</li> <li>Weight Transfer System ..... 15</li> </ul> <p style="text-align: center;"><b>O</b></p> <p>Oil:</p> <ul style="list-style-type: none"> <li>Engine ..... 4, 12, 16</li> <li>Extreme Cold Weather ..... 13, 16</li> <li>Storage ..... 25</li> <li>Type ..... 4, 12, 16</li> </ul> <p>Operation:</p> <ul style="list-style-type: none"> <li>Engine Controls ..... 10, 11, 13, 14</li> <li>Free-Wheel, Track ..... 12</li> <li>Operating Snow Thrower ..... 11, 12, 14</li> </ul>	<p>Operating Tips ..... 14</p> <p>Starting the Engine ..... 13</p> <p>Snow Thrower Controls ..... 10-12</p> <p>Weight Transfer System ..... 12</p> <p style="text-align: center;"><b>P</b></p> <p>Parts ..... 28-39</p> <p>Primer Button ..... 10, 11, 13, 14</p> <p style="text-align: center;"><b>R</b></p> <p>Repair/Replacement Parts ..... 28-39</p> <p>Replacements:</p> <ul style="list-style-type: none"> <li>Auger Shear Bolt ..... 23</li> <li>Belts ..... 19, 20</li> <li>Friction Wheel ..... 22</li> </ul> <p style="text-align: center;"><b>S</b></p> <p>Safety Rules ..... 2, 3</p> <p>Service and Adjustments:</p> <ul style="list-style-type: none"> <li>Auger Housing Height ..... 7, 17</li> <li>Auger Shear Bolt ..... 23</li> <li>Belts ..... 18-20</li> <li>Belt Guide ..... 20</li> <li>Belt Replacements ..... 19, 20</li> <li>Cable ..... 7, 9, 18</li> <li>Carburetor ..... 24, 25</li> <li>Friction Wheel ..... 21, 22</li> <li>Spark Plug ..... 24</li> <li>Track ..... 23</li> </ul> <p>Service Recommendations ..... 26</p> <p>Spark Plug ..... 16, 24</p> <p>Specifications ..... 4</p> <p>Speed Governor ..... 24</p> <p>Starting the Engine ..... 13</p> <p>Stopping the Engine ..... 11, 13, 14</p> <p>Stopping the Snow Thrower ..... 11</p> <p>Shipping Carton ..... 6, 7</p> <p>Skid Height ..... 7, 17</p> <p>Shifter Lever ..... 9-10</p> <p>Shear Bolts ..... 23</p> <p>Storage ..... 25</p> <p style="text-align: center;"><b>T</b></p> <p>Table of Contents ..... 5</p> <p>Trouble Shooting Chart ..... 26</p> <p>Tools for Assembly ..... 6</p> <p>Traction Drive Belt ..... 18, 20</p> <p>Track Adjustment ..... 23</p> <p style="text-align: center;"><b>W</b></p> <p>Warranty ..... 4</p> <p>Weight Transfer System ..... 12, 15</p>
--	--	--

# ASSEMBLY

## THIS SNOW THROWER HAS A TRACK DRIVE SYSTEM EQUIPPED TO GIVE YOU FREE-WHEELING CAPABILITY

If your snow thrower must be moved without the aid of the engine, it will be easier to pull the snow thrower backward by the handles, rather than pushing. For details on how to use the free-wheeling capability, see the Track Drive/Free-Wheel Feature paragraph in the Operation section of this manual.

On start up, the track drive system may be tight but will loosen up as the snow thrower is used. After first use, check the track for tension and adjust if necessary. See the Track Adjustment paragraph in the Service and Adjustments section of this manual. Check track adjustment and fasteners regularly.

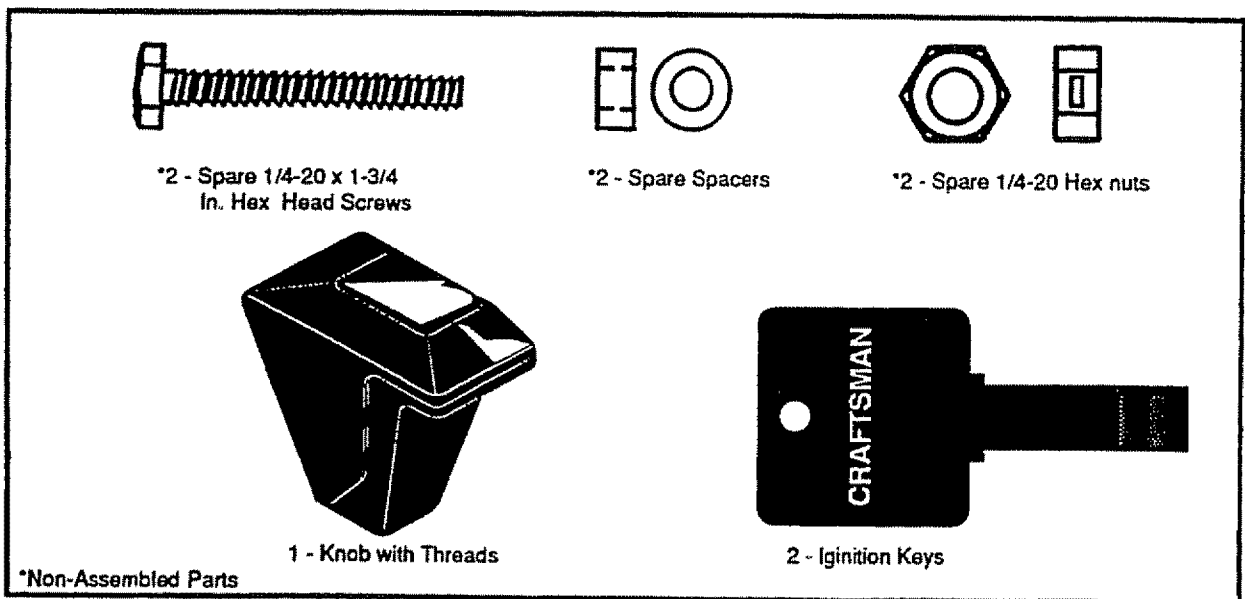
### CONTENTS OF SHIPPING CARTON

- 1 - Snow thrower completely assembled except for the crank assembly, and the upper handle, which is in the folded down position.
- 1 - Parts bag containing:
- 1 - Owner's manual (not shown) and Parts shown below:

### TOOLS REQUIRED FOR ASSEMBLY

- 1 - Knife (to cut carton and plastic ties)
- 2 - 1/2 inch wrenches (or adjustable wrenches)
- 2 - 9/16 inch wrenches (or adjustable wrenches)
- 2 - 3/4 inch wrenches (or adjustable wrenches)
- 1 - Pliers (to spread cotter pin)
- 1 - Screwdriver

### CONTENTS OF PARTS BAG



# ASSEMBLY

Figure 1 shows the snow thrower in the shipping position. Figure 2 shows the snow thrower completely assembled. Reference to the right and left hand side of the snow thrower is from the operator's position at the handle.

## TO REMOVE SNOW THROWER FROM CARTON (See Fig. 1)

- Remove the staples from top of carton.
- Locate the crank assembly and place the assembly aside.
- Remove and discard the packing material from around the snow thrower.
- Cut all four corners of the carton from top to bottom and lay the panels flat.
- Remove the packing material from the shifter plate and upper handle assembly.
- Roll the snow thrower off the carton by pulling on the lower handle.

**NOTE:** The drive system may be tight when you first use your snow thrower. It loosens up as you use it.

- To complete upper handle installation and install chute crank assembly, see To Install The Upper Handle and Crank Assembly paragraph on page 8.

**NOTE:** If the cables have become disconnected from the clutch levers, reinstall the cables as shown in Fig. 3.

## HOW TO SET UP YOUR SNOW THROWER

- Your snow thrower is equipped with height adjust skids (See Fig. 2) on the outside of the auger housing. To adjust the skid height for different conditions, see To Adjust Skid Height paragraph on page 17.

**CAUTION:** IF YOU ARE REMOVING SNOW FROM ANY ROCKY OR UNEVEN SURFACE, RAISE THE FRONT OF THE SNOW THROWER BY MOVING THE SKIDS DOWN. THIS WILL HELP TO PREVENT ROCKS AND OTHER DEBRIS FROM BEING PICKED UP AND THROWN BY THE AUGER.

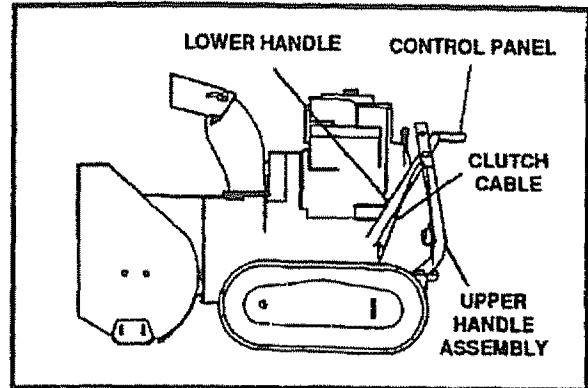


FIG. 1

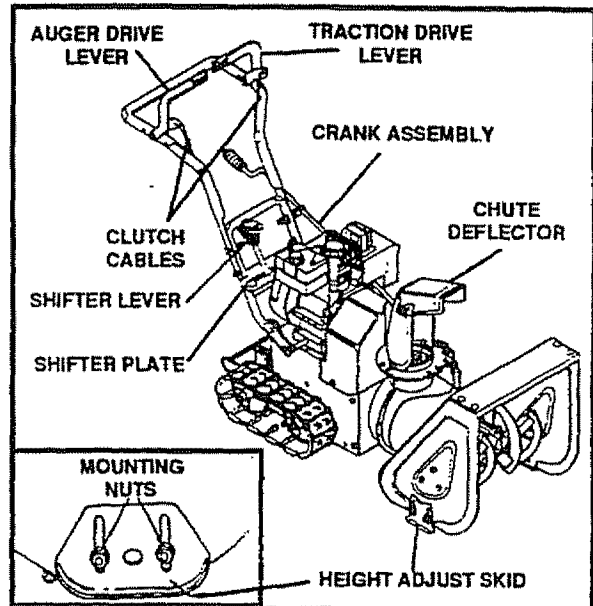


FIG. 2

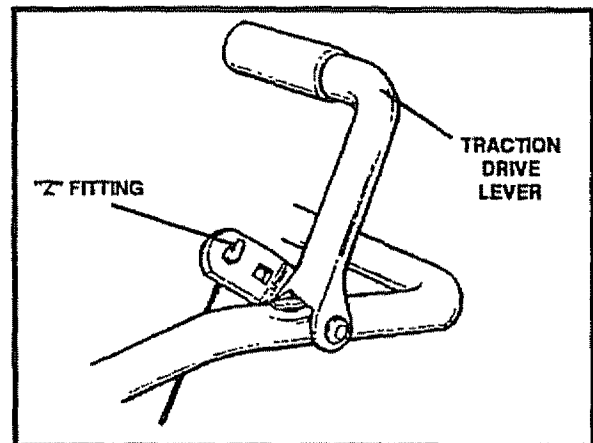


FIG. 3

# ASSEMBLY

## TO INSTALL THE UPPER HANDLE AND CRANK ASSEMBLY

- Remove the screws, flatwashers, lockwashers and hex nuts securing the shifter plate in the lower holes of the lower handle.
- Loosen, but do not remove, the screws, flatwashers, lockwashers, and hex nuts in the upper holes of the lower handle.
- Raise upper handle into operating position. Upper handle should be to the outside of the lower handle and shifter plate to the inside.
- Replace the screws, flatwashers, lockwashers, and hex nuts through the handles and shifter plate. Do not tighten until all bolts are in place. Tighten left hand side first.

**NOTE:** Unless you have the assistance of another person, it may be easier to install one side of the handle at the time.

- Tighten the screw, flatwasher, lockwasher and hex nut at the upper right hand hole only (See Fig. 4A).
- Remove the screw, flatwasher, lockwasher and hex nut from the upper left hand hole of the lower handle and discard.
- Remove the 3/8" nylon locknut and flatwasher from the eye bolt assembly (on the chute crank assembly earlier). Check to make sure the two 3/8" jam nuts are tight. The jam nuts should be 3.75 inches from the end of the eye bolt (Fig. 4B).
- Install eye bolt through lower hole on the left hand side of the handle (See Fig. 4B).
- Install the 3/8" flatwasher and the 3/8" nylon locknut loosely on the eye bolt as shown in Fig. 4B.
- Remove the plastic cap, the cotter pin and the washer from the wormed end of the crank assembly and set aside (See Fig. 5).
- Rotate the notched section of the discharge chute toward the crank-adjusting rod.
- Install the wormed end of the crank through the hole in the adjusting rod and secure the end with the flat washer and cotter pin, as shown in Fig. 5.
- Bend the ends of the cotter pin around the rod and reinstall the plastic cap.
- Tighten the eye bolt installed earlier, keeping eye in line with the rod while tightening the inside securely.
- Make sure the outside 3/8" jam nut is up against the other 3/8" jam nut and slide the boot over the adapter (See Fig. 4B).
- Rotate the chute crank fully clockwise and fully counter-clockwise. The discharge chute should rotate fully with approximately 1/8 inch clearance between the worm and the bottom of the notch (See Fig. 5).

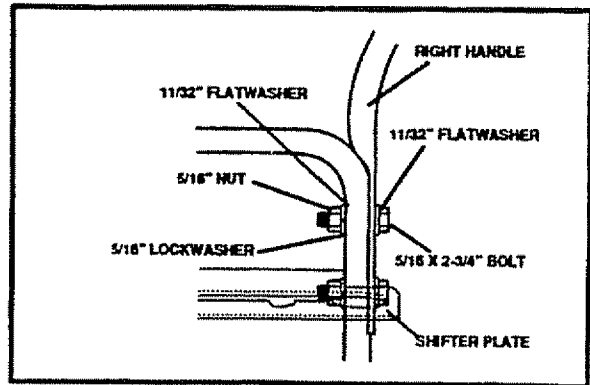


FIG. 4A

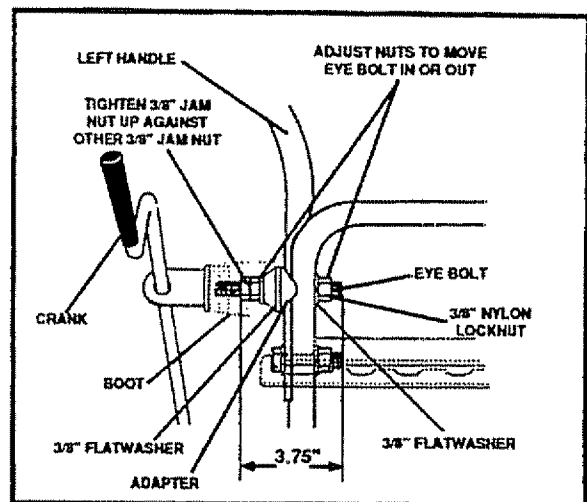


FIG. 4B

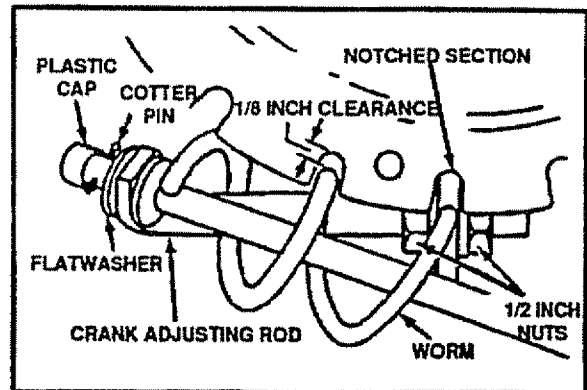


FIG. 5

- If the chute crank needs to be adjusted, go to the Service and Adjustments section on page 17. Screws securing chute clips at the base of the chute should be slightly loose for easy rotation.

**NOTE:** Be sure the crank does not touch the side of the engine or the cover will be scratched.



# ASSEMBLY

## TO INSTALL SHIFTER LEVER KNOB

- Thread the shifter lever knob onto the threaded end of the shifter lever until it is snug against the hex nut and the lip is pointed toward the engine. Tighten the hex nut against the bottom of the shift lever knob. (See Fig. 6.)

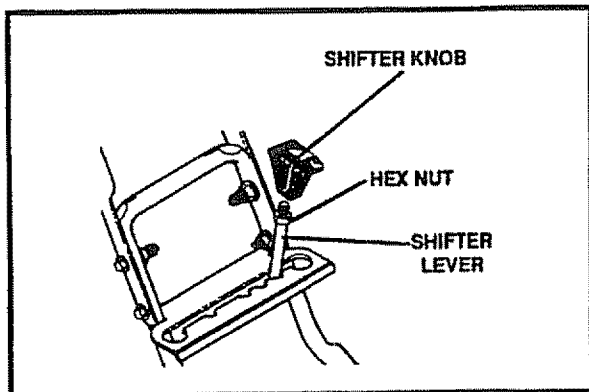


FIG. 6

## TO CHECK/ADJUST CLUTCH CONTROL CABLES

The control cables, Fig. 7, attached to the auger clutch lever and traction clutch lever may need to be adjusted before you use your snow thrower.

For instructions on checking or adjusting the control cables, see To Adjust Clutch Control Cables paragraph on page 18.

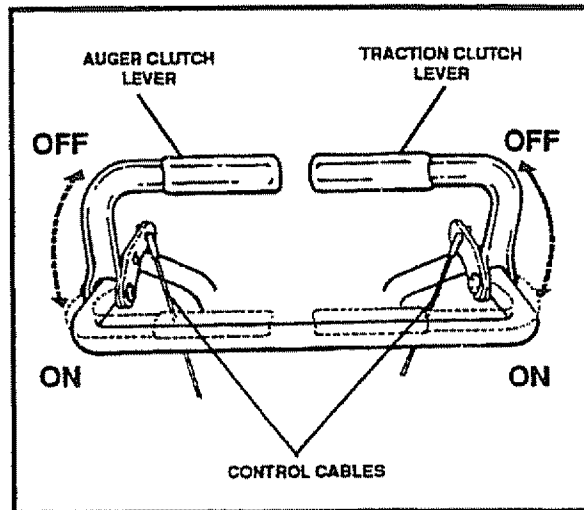


FIG. 7

---

# OPERATION

---

## KNOW YOUR SNOW THROWER

READ THIS OWNER'S MANUAL AND SAFETY RULES BEFORE OPERATING YOUR SNOW THROWER. Compare the illustrations with your snow thrower to familiarize yourself with the location of various controls and adjustments. Save this manual for future reference.

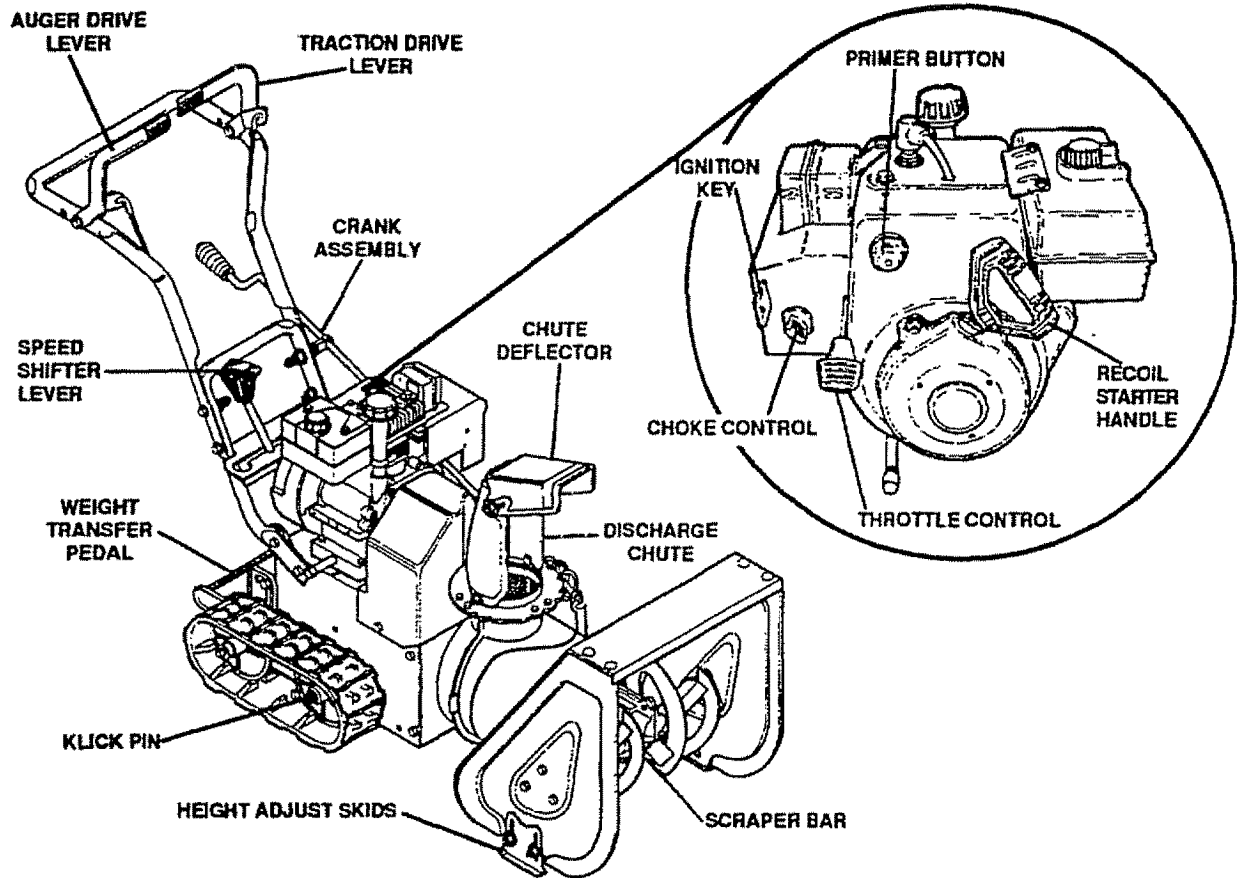


FIG. 8

---

SEARS FREE-WHEELING SNOW THROWERS conform to the safety standards of the American National Standards Institute.

---

**AUGER DRIVE LEVER** - Starts and stops the auger and impeller (snow gathering and throwing).

**TRACTION DRIVE LEVER** - Propels the snow thrower forward and in reverse.

**SPEED SHIFTER LEVER** - Selects the speed of the snow thrower (6 speeds forward and 2 speeds reverse).

**CRANK ASSEMBLY** - Changes the direction of snow throwing through the discharge chute.

**CHUTE DEFLECTOR** - Changes the distance the snow is thrown.

**DISCHARGE CHUTE** - Changes the height and direction the snow is thrown.

**KLIICK PIN** - Changes the track drive from normal to free-wheel drive, which allows the unit to be transported easily without the engine being started.

**WEIGHT TRANSFER PEDAL** - When engaged (by lifting up on the upper handle) it helps keep the snow thrower in contact with the ground, and reduces ride up on ice and hard-packed snow. When released (by pushing down on weight transfer pedal with the ball of your foot), it eases steering of the snow thrower.

**HEIGHT ADJUST SKIDS** - Adjusts the ground clearance of the auger housing.

**IGNITION KEY** - Must be inserted to start the engine.

**RECOIL STARTER HANDLE** - Starts the engine manually.

**CHOKE CONTROL** - Used to start a cold engine.

**PRIMER BUTTON** - Injects fuel directly into the carburetor manifold for fast starts in cold weather.

**THROTTLE CONTROL** - Controls the engine speed.

# OPERATION



The operation of any snow thrower can result in foreign objects being thrown into the eyes, which can result in severe eye damage. Always wear safety glasses or eye shields while operating the snow thrower.

We recommend standard safety glasses available at SEARS Retail or Catalog Stores or a wide vision safety mask for over your glasses.

## HOW TO USE YOUR SNOW THROWER TO CONTROL SNOW DISCHARGE

- Turn the crank assembly to set the **direction** of the snow throwing.
- Loosen the wing knob on the chute deflector and move the deflector to set the **distance**. Move the deflector **UP** for more distance, **DOWN** for less distance. Then tighten the wing knob (Fig. 9).

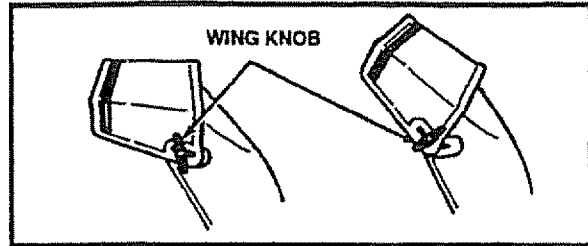


FIG. 9

## TO STOP YOUR SNOW THROWER

- To stop throwing snow, release the auger drive lever (See Fig. 11).
- To stop the track, release the traction drive lever.
- To stop the engine, push the throttle control lever to off and pull out the ignition key (See Fig. 10).

**NOTE: DO NOT** turn key.

## TO MOVE FORWARD AND BACKWARD

- To shift, release the traction drive lever and move the speed shifter lever to the speed you desire. Ground speed is determined by snow conditions. Select the speed you desire by moving the speed shifter lever into the appropriate colored area on the control panel.

Red - Wet, Heavy, Slushy, Extra Deep

Amber - Moderate

White - Very Light

Green - Transport only

- Engage the traction drive lever (See Fig. 11, left hand). As the snow thrower starts to move, maintain a firm hold on the handles, and guide the snow thrower along the clearing path. Do not attempt to push the snow thrower.
- To move the snow thrower backward, move the speed shifter lever into first or second reverse and engage the traction drive lever (left hand).

**IMPORTANT: NEVER MOVE THE SPEED SHIFTER LEVER WHILE THE TRACTION LEVER IS DOWN.**

## TO THROW SNOW

- Push down the auger drive lever (See Fig. 11, right hand).
- Release to stop throwing snow.

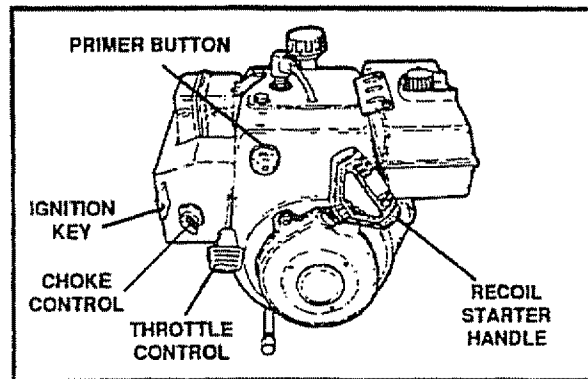


FIG. 10

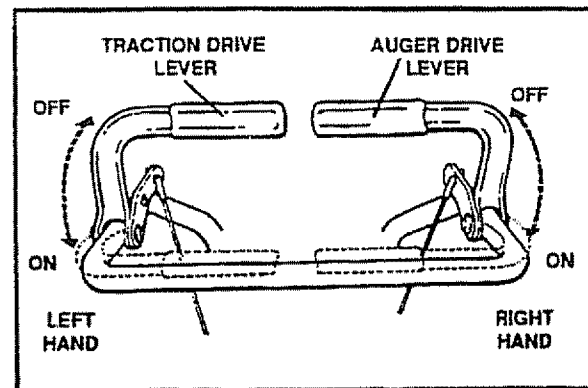


FIG. 11



**CAUTION: READ OWNER'S MANUAL BEFORE OPERATING MACHINE. NEVER DIRECT DISCHARGE TOWARD BYSTANDERS. STOP THE ENGINE BEFORE UNCLOGGING DISCHARGE CHUTE OR AUGER HOUSING AND BEFORE LEAVING THE MACHINE.**

# OPERATION

## TO USE WEIGHT TRANSFER SYSTEM

In hard packed or heavy snow conditions, conventional snow throwers tend to ride up and leave uneven mounds of snow behind. For these conditions, your new tracked snow thrower has a unique weight transfer system (See Fig. 12) designed to minimize ride-up.

The weight transfer system engaged shifts more weight to the auger housing. This weight transfer keeps the snow thrower in contact with the ground and reduces ride-up on ice and snow.

In lighter snow conditions or when transporting, you should release the weight transfer system for easier steering.

- To use the weight transfer system, lift up on upper handle until bracket bolts snap into place in upper slots of weight transfer pedal.
- To release, hold upper handle firmly and push down on the weight transfer pedal with the ball of your foot.

**NOTE:** The weight transfer system will not work if the auger housing height adjust skids are adjusted to the highest position.

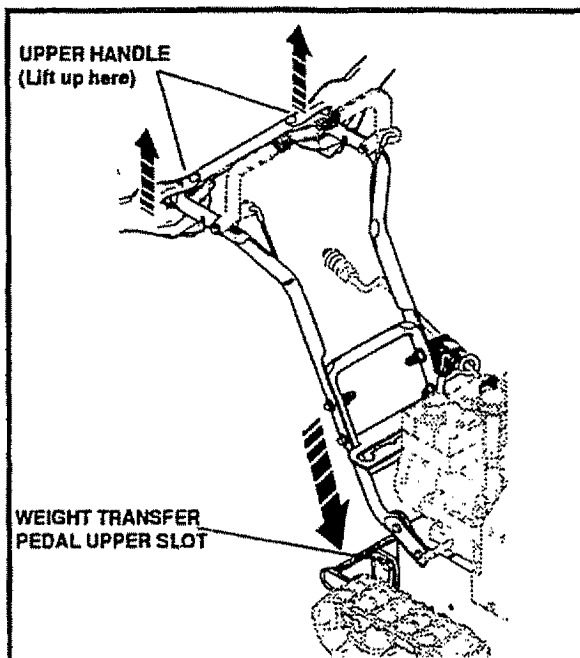


FIG.12

## TRACK DRIVE/ FREE-WHEEL FEATURE

The track system on your snow thrower has a drive/free-wheel feature (See Fig. 12A) which allows the unit to be transported easily without the engine being started.

- To use free-wheeling, lift up the loop of the klick pin in the front track wheel and pull the pin out. Install the pin through the hole in the shaft outside of the track wheel. Repeat on the opposite side of the unit.
- To use normal drive, lift the loop of the klick pin from the outside hole in the shaft. Rotate the front track wheel until the hole in the track wheel hub and the outside hole in the shaft are in-line. Place pin through the hole in the track hub. Repeat on the opposite side of the unit.

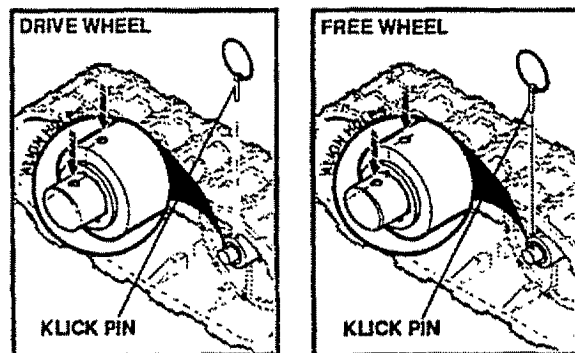


FIG.12A

**NOTE:** If unit does not move when engine is started, check the pin locations. Pins on both sides of unit should be in the normal drive position for unit to move.

## BEFORE STARTING THE ENGINE

### FILL/ ADD OIL:

The engine on this snow thrower was shipped without oil. Add oil before you start the engine. Remove the oil fill cap/dipstick and fill the crank case to FULL line on dipstick (about 20 ounces) (See Fig. 13) with S.A.E. 10W-30 motor oil (or equivalent). Do not overfill. Tighten the fill cap/dipstick securely each time you check the oil level.

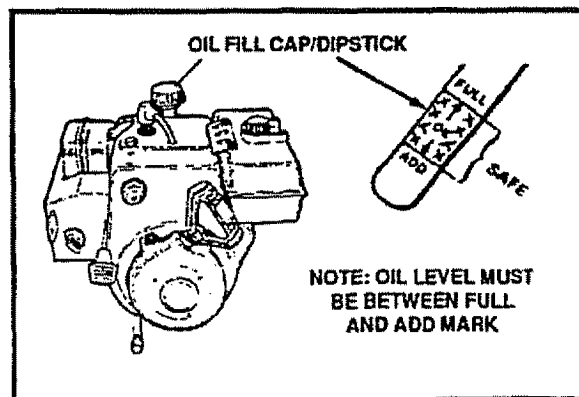


FIG.13

# OPERATION

## FILL GAS:

Fill the fuel tank with clean, fresh, unleaded grade automotive gasoline. Be sure that the container you pour the gasoline from is clean and free from rust or other foreign particles. Never use gasoline that may be stale from long periods of storage in the container.

**NOTE:** S.A.E. 5W-30 motor oil may be used to make starting easier in areas where the temperature is 20° F. or lower.

**WARNING:** Experience indicates that alcohol blended fuels (called gasohol or those using ethanol or methanol) can attract moisture which leads to separation and formation of acids during storage. Acidic gas can damage the fuel system of an engine while in storage.

To avoid engine problems, the fuel system should be emptied before storage for 30 days or longer. Start the engine and let it run until the fuel lines and carburetor are empty. Use the carburetor bowl drain to empty residual gasoline from the float chamber (Fig. 42). Use fresh fuel next season. (See Storage instructions on page 25 for additional information.)

Never use engine or carburetor cleaner products in the fuel tank or permanent damage may occur.



**CAUTION: GASOLINE IS FLAMMABLE AND CAUTION MUST BE USED WHEN HANDLING OR STORING IT.**

**DO NOT FILL FUEL TANK WHILE SNOW THROWER IS RUNNING, WHEN IT IS HOT, OR WHEN SNOW THROWER IS IN AN ENCLOSED AREA.**

**KEEP AWAY FROM OPEN FLAME OR AN ELECTRICAL SPARK AND DO NOT SMOKE WHILE FILLING THE FUEL TANK.**

**NEVER FILL THE TANK COMPLETELY. FILL THE TANK TO WITHIN 1/4" - 1/2" FROM THE TOP TO PROVIDE SPACE FOR EXPANSION OF FUEL.**

**ALWAYS FILL FUEL TANK OUTDOORS AND USE A FUNNEL OR SPOUT TO PREVENT SPILLING.**

**MAKE SURE TO WIPE UP ANY SPILLED FUEL BEFORE STARTING THE ENGINE.**

**STORE GASOLINE IN A CLEAN, APPROVED CONTAINER AND KEEP THE CAP IN PLACE ON THE CONTAINER.**



**CAUTION: NEVER RUN ENGINE INDOORS OR IN ENCLOSED, POORLY VENTILATED AREAS. ENGINE EXHAUST CONTAINS CARBON MONOXIDE, AN ODORLESS AND DEADLY GAS. KEEP HANDS, FEET, HAIR AND LOOSE CLOTHING AWAY FROM ANY MOVING PARTS ON ENGINE AND SNOW THROWER. WARNING: TEMPERATURE OF MUFFLER AND NEARBY AREAS MAY EXCEED 150° F. AVOID THESE AREAS. DO NOT ALLOW CHILDREN OR YOUNG TEENAGERS TO OPERATE OR BE NEAR SNOW THROWER WHILE IT IS OPERATING.**

## TO STOP ENGINE

- To stop engine, move the throttle control lever to STOP position and remove key. Keep the key in a safe place. The engine will not start without the key.

## TO START ENGINE

Be sure that the engine has sufficient oil. Before starting the engine, be certain that you have read the following information:

### COLD START (See Fig. 14)

- Be sure the auger drive and the traction drive levers are in the disengaged RELEASED position.
- Move the throttle control up to RUN position.
- Push the key into the ignition slot found in parts page. Be sure it snaps into place. **DO NOT TURN KEY.** Place extra key in a safe place.
- Rotate choke control to FULL choke position.
- Press the primer button in cold weather. Press two or three times, while keeping your finger over the vent hole on the primer button. Additional priming may be necessary for the first start if the temperature is below 15° F. Do not prime if temperature is above 50° F.
- Pull the starter handle rapidly. Do not allow the handle to snap back, but allow it to rewind slowly while keeping a firm hold on the starter handle.
- As the engine warms up and begins to operate evenly, rotate the choke knob slowly to OFF position. If the engine falters, return to FULL choke, then slowly move to OFF choke position.

**NOTE:** Before using the snow thrower, allow the engine to warm up for a few minutes because the engine will not develop full power until it reaches operating temperature.

- Run the engine at or near the top speed when throwing snow.

# OPERATION

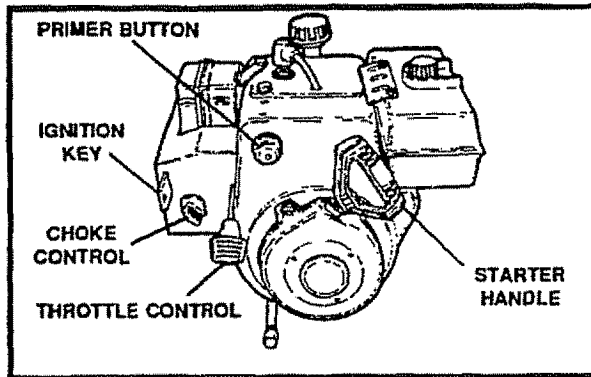


FIG. 14

## WARM START

If restarting a warm engine after a short shutdown, rotate choke to OFF instead of FULL and do not push the primer button.

## FROZEN STARTER

If the starter is frozen and will not turn engine:

- Pull as much rope out of the starter as possible.
- Release the starter handle and let it snap back against the starter.

If the engine still fails to start, repeat until it starts.

To help prevent possible freeze-up of recoil starter and engine controls, proceed as follows after each snow removal job.

- With the engine running, pull the starter rope hard with a continuous full arm stroke three or four times. Pulling of starter rope will produce a loud clattering sound. This is not harmful to the engine or starter.
- With the engine not running, wipe all snow and moisture from the carburetor cover in area of control levers. Also move throttle control, choke control, and starter handle several times.

## SNOW THROWING TIPS

- For maximum snow thrower efficiency in removing snow, adjust ground speed, NEVER the throttle. Go slower in deep, freezing or wet snow. If the track slips, reduce forward speed. The engine is designed to deliver maximum performance at full throttle and should be run at this power setting at all times.
- Most efficient snow blowing is accomplished when the snow is removed immediately after it falls.
- For complete snow removal, slightly overlap each path previously taken. Use more overlap in deep snow to prevent overloading.
- The snow should be discharged down wind whenever possible.

- For normal usage, set the skids so that the scraper bar is 1/8" above the skids. For extremely hard-packed snow surfaces, adjust the skids upward so that the scraper bar touches the ground.
- On gravel or crushed rock surfaces, set the skids at 1-1/4" below the scraper bar (see To Adjust Skid Height paragraph on page 17). Stones and gravel must not be picked up and thrown by the machine.
- If the front of the snow thrower has a tendency to raise, reduce the ground speed and engage the weight transfer system.
- After the snow blowing job has been completed, allow the engine to idle for a few minutes, which will melt snow and accumulated ice off the engine.
- Clean the snow thrower thoroughly after each use.
- Remove ice and snow accumulation and all debris from the entire snow thrower, and flush with water (if possible) to remove all salt or other chemicals. Wipe snow thrower dry.



**CAUTION: DO NOT ATTEMPT TO REMOVE ANY ITEM THAT MAY BECOME LODGED IN AUGER WITHOUT TAKING THE FOLLOWING PRECAUTIONS:**

- RELEASE AUGER DRIVE AND TRACTION DRIVE LEVERS.
- MOVE THROTTLE LEVER TO STOP POSITION.
- REMOVE (DO NOT TURN) IGNITION KEY.
- DISCONNECT SPARK PLUG WIRE.
- DO NOT PLACE YOUR HANDS IN THE AUGER OR DISCHARGE CHUTE. USE A PRY BAR.

# MAINTENANCE

## GENERAL RECOMMENDATIONS

The warranty on this snow thrower does not cover items that have been subjected to operator abuse or negligence. To receive full value from the warranty, operator must maintain snow thrower as instructed in this manual.

Some adjustments will need to be made periodically to properly maintain your snow thrower.

All adjustments in the Service and Adjustments section of this manual should be checked at least once each season.

## AFTER FIRST USE

- Check the tracks for tension and adjust if necessary (See To Adjust Track paragraph on page 23). Check the track adjustment and fasteners regularly.
- Be sure that all fasteners are tight.

## AS REQUIRED

The following adjustments should be performed more than once each season.

- Auger and Track Drive Belts should be adjusted after the first 2 hours of use and again after 25 hours and at the beginning of each season. See To Adjust Belts paragraph on page 19.
- All screws and nuts should be checked often to make sure they are tight, preferably after each use.

## SNOW THROWER

### LUBRICATION - EVERY TEN HOURS

- Weight Transfer System - Coat weight transfer side plates with clinging type grease, such as Lubriplate, every ten (10) hours and before storage. See Lubrication Chart on page 26.
- Auger Shaft - Using a hand grease gun, lubricate the auger shaft zerk fittings (See A, Fig. 16) every ten (10) operating hours. Each time a shear bolt is replaced (see To Replace Auger Shear Bolt paragraph on page 23), the auger shaft MUST be greased.
- For storage or when replacing shear bolts, remove shear bolts and lubricate auger shaft zerks. Rotate augers several times on the shaft and reinstall the shear bolts.

### LUBRICATION - NOT REQUIRED

- Hex Shaft and Gears - Hex shaft and gears require no lubrication. All bearings and bushings are lifetime lubricated and require no maintenance (See Fig 17).

**NOTE:** Any greasing or oiling of the above components can cause contamination of the friction wheel. If the disc drive plate or friction wheel come in contact with grease or oil, damage to the friction wheel will result.

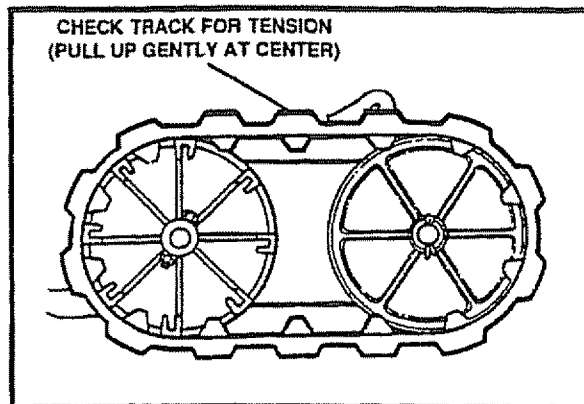


FIG. 15

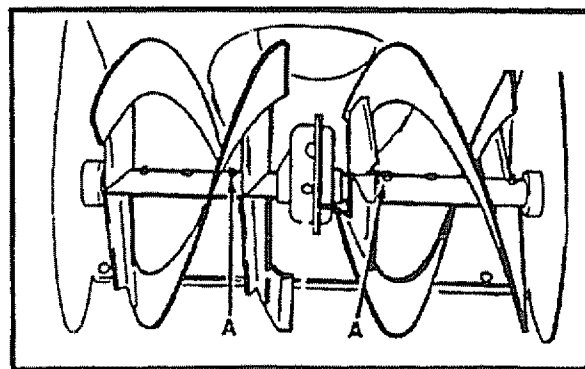


FIG. 16

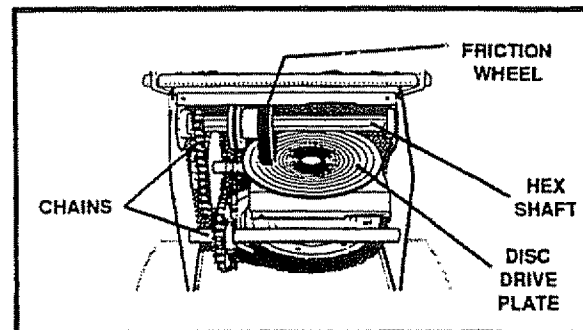


FIG. 17

Should grease or oil come in contact with the disc drive plate or friction wheel, be sure to clean the plate and wheel thoroughly.

**NOTE:** For storage, the hex shaft and gears should be wiped with 10W-30 motor oil to prevent rusting (See Fig. 17).

- Auger Gear Box - The auger gear box has been factory lubricated for life. If for some reason lubricant should leak out, have auger gear case checked by a competent repairman.

# MAINTENANCE

## ENGINE

### LUBRICATION

Check the crankcase oil level (See Fig. 18) before starting the engine and after each five (5) hours of continuous use. Add S.A.E. 10W-30 motor oil or equivalent. Tighten fill cap/dipstick securely each time you check the oil level. S.A.E. 5W-30 motor oil may be used to make starting easier in areas where the temperature is 20° F or lower.

Change the oil after first two hours of operation and every 25 hours thereafter or at least once a year if the snow thrower is not used for 25 hours (See Fig. 19).

- Position snow thrower so that the oil drain plug is lowest point on the engine. Remove oil drain plug and oil fill cap/dipstick. Drain oil into a suitable container. Oil will drain more freely when warm.
- Replace oil drain plug and tighten securely. Refill crankcase with S.A.E. 10W-30 motor oil (or equivalent). S.A.E. 5W-30 motor oil may be used to make starting easier in areas where the temperature is 20° F or lower.

### SPARK PLUG

- Make sure that the spark plug is tightened securely into the engine and the spark plug wire is attached to the spark plug.
- If a torque wrench is available, torque plug to 18 to 23 foot pounds.
- Clean the area around the spark plug base before removal to prevent dirt from entering the engine.
- Clean the spark plug and reset the gap periodically.

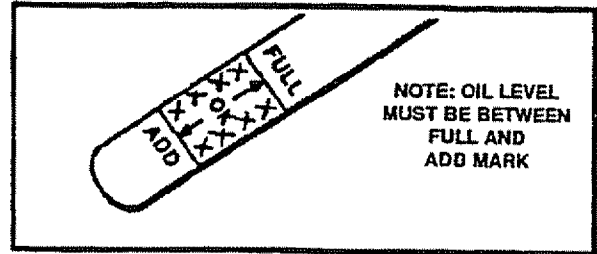


FIG. 18

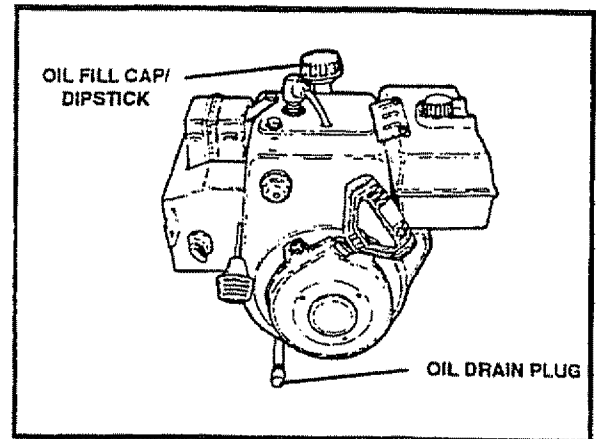


FIG. 19



# SERVICE AND ADJUSTMENTS



**CAUTION: ALWAYS DISCONNECT THE SPARK PLUG WIRE AND TIE BACK AWAY FROM THE PLUG BEFORE MAKING ANY ADJUSTMENTS OR REPAIRS.**

## TO ADJUST SKID HEIGHT

This snow thrower is equipped with two height adjustment skids, located on the outside of the auger housing (See Fig. 20). These skids elevate the front of the snow thrower. For normal hard surfaces, adjust the skids as follows:

- Make sure the weight transfer system is released by holding upper handle firmly and pushing down weight transfer pedal with the ball of your foot.
- Place extra shear bolts supplied (found in parts bag) under each end of the scraper bar near but not under the skid.
- Loosen the skid mounting nuts (See Fig. 20) and push the skid down until it touches the ground. Retighten the mounting nuts.
- Set the skid on the other side at same height.

For rocky or uneven surfaces, raise the front of the snow thrower by moving the skids down further. This will help prevent rocks and other debris from being picked up and thrown by the auger.

**NOTE:** If the skids are at the maximum height, the weight transfer system will not work.

## TO ADJUST SCRAPER BAR

After considerable use, the metal scraper bar will have a definite wear pattern. The scraper bar may have to be returned to its original lower setting to maintain the original performance level. To adjust:

- Position the snow thrower on a level surface.
- Loosen the carriage bolts and nuts securing the scraper bar to the auger housing.
- Adjust the scraper bar to the proper position.
- Tighten the carriage bolts and nuts, making sure that the scraper bar is parallel with the working surface.



**CAUTION: BE CERTAIN TO MAINTAIN PROPER GROUND CLEARANCE FOR YOUR PARTICULAR AREA TO BE CLEARED. OBJECTS SUCH AS GRAVEL, ROCKS OR OTHER DEBRIS, IF STRUCK BY THE IMPELLER, MAY BE THROWN WITH SUFFICIENT FORCE TO CAUSE PERSONAL INJURY, PROPERTY DAMAGE OR DAMAGE TO THE SNOW THROWER.**

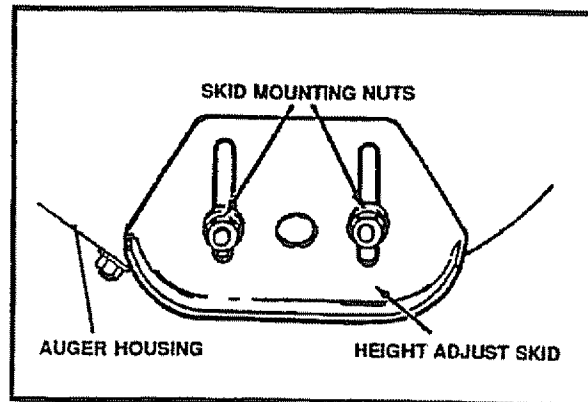


FIG. 20

- After extended operation, the scraper bar may be reversed. If the scraper bar must be replaced due to wear, remove the carriage bolts and nuts and install a new scraper bar.

## TO ADJUST CHUTE CRANK ASSEMBLY

If you cannot rotate the chute crank fully to the left and to the right, you need to adjust the chute crank (See Fig. 21)

- Loosen both 1/2" nuts on the crank adjusting rod (using 3/4" wrenches).
- Rotate the adjusting rod in or out to allow about 1/8" clearance between the notch in the flange and the outer diameter of the worm.
- Once this clearance is set, tighten the nuts.

**NOTE:** Be sure the crank does not touch the side of the engine or the cover will be scratched.

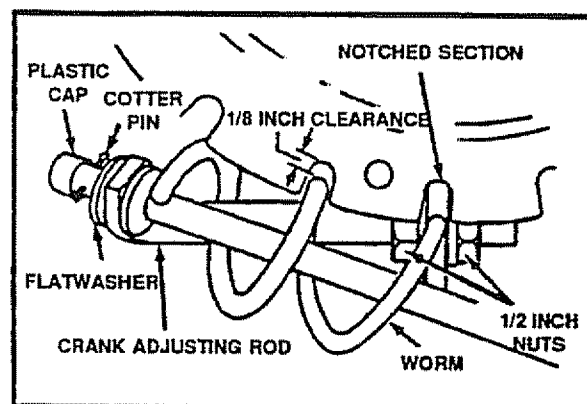


FIG. 21

# SERVICE AND ADJUSTMENTS

## TO ADJUST THE CLUTCH CONTROL CABLES

Periodic adjustment of the cables may be required due to normal stretch and wear on the belts. To check for correct adjustment, the control lever must be in the full forward position, resting on the plastic bumper. The control cables are correctly adjusted when the center of the "Z" Fitting is in the center of the hole and there is no droop in the cable (See Fig. 22).

If adjustment is necessary:

- Remove gas from gas tank. Stand blower on end
- Disconnect the "Z" Fitting from drive lever.
- Push the cable through the spring (See Fig. 23) to expose the threaded portion of the cable.
- Hold the square end of the threaded portion with pliers and adjust the locknut in or out until the excess slack is removed.
- Pull the cable back through the spring and connect the cable. Do the same for the other lever cable.

**NOTE:** Whenever the traction drive or auger belts are adjusted or replaced, the cables will need to be adjusted.

## TO ADJUST BELTS

Belts stretch during normal use. If you need to adjust the belts due to wear or stretch, proceed as follows:

### TRACTION DRIVE BELT (See Fig. 25)

The traction drive belt has constant spring pressure and does not require adjustment. Check the clutch control cable adjustment before replacing the belt.

Replace the traction drive belt if it is still slipping (see To Replace Belts paragraph on page 19).

### AUGER DRIVE BELT (See Fig. 25)

If your snow thrower will not discharge snow, check the control cable adjustment. If it is correct, then check the condition of the auger drive belt. It may be loose or damaged. If it is damaged, replace it. See To Replace Belts paragraph on page 19. If the auger drive belt is loose, adjust as follows:

- Disconnect the spark plug wire.
- Remove the belt cover.
- Loosen the nut on the idler pulley (See Fig. 25) and move the pulley toward the belt about 1/8".
- Tighten the nut.
- Press the auger drive lever. Check the tension on the belt (opposite idler pulley). The belt should deflect about 1/2" with moderate pressure (See Fig. 24).

**NOTE:** You may have to move the idler pulley more than once to obtain the correct tension

- Replace the belt cover.

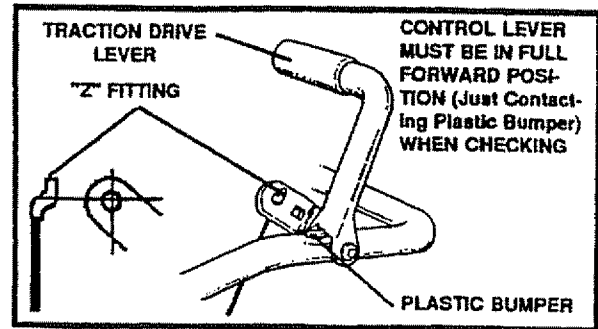


FIG. 22

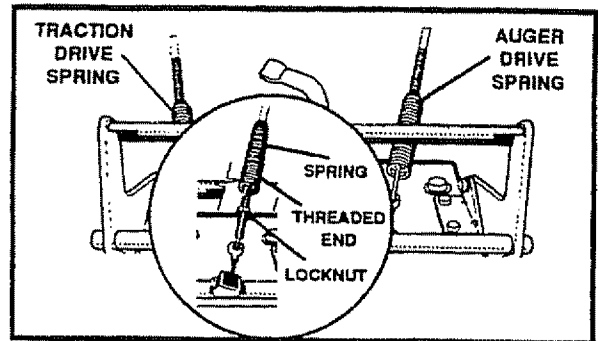


FIG. 23

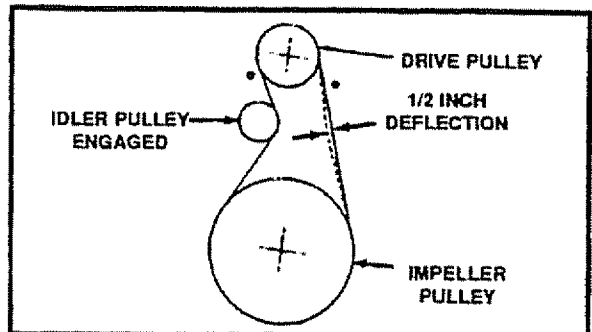


FIG. 24

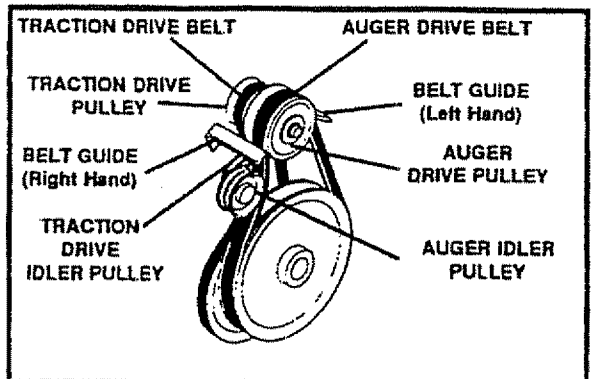


FIG. 25

- Check the clutch control cable adjustment.
- Reconnect the spark plug wire.

# SERVICE AND ADJUSTMENTS

## TO REPLACE BELTS

The drive belts on this snow thrower are of special construction and should be replaced with original equipment belts available from your nearest SEARS Store or Service Center.

You will need the assistance of a second person while replacing the belts.

Drain the gasoline from the fuel tank by removing the fuel line. Drain the gas and reinstall fuel line.



**CAUTION: DRAIN THE GASOLINE OUT DOORS, AWAY FROM FIRE OR FLAME.**

## AUGER DRIVE BELT

If your snow thrower will not discharge snow, and the auger drive belt is damaged, replace it as follows:

- Disconnect the spark plug wire.
- Remove the belt cover (See Fig. 26).
- Loosen the belt guides (See Fig. 27) and pull away from the drive pulley.
- Loosen the auger idler pulley (See Fig. 28) and slip the belt out.
- Remove top two bolts that secure auger housing to motor mount frame. Loosen bottom two bolts. Auger housing and motor mount frame will separate hinged by bottom two bolts.
- Remove brake arm from housing. Do not remove spring.
- Remove the belt from the auger drive engine pulley
- Install the original equipment replacement belt in reverse order of removal.
- Reinstall brake arm into housing. Insure brake arm is fully inserted into housing and brake pad is riding in pulley groove.
- Position drive belt onto the auger drive pulley.
- Adjust the drive belt (see To Adjust Auger Drive Belt paragraph on page 18).
- Adjust the belt guides (see To Adjust The Belt Guides paragraph on page 20).
- Reinstall the belt cover.
- Check clutch control cable adjustment (see page 18).
- Reconnect the spark plug wire.

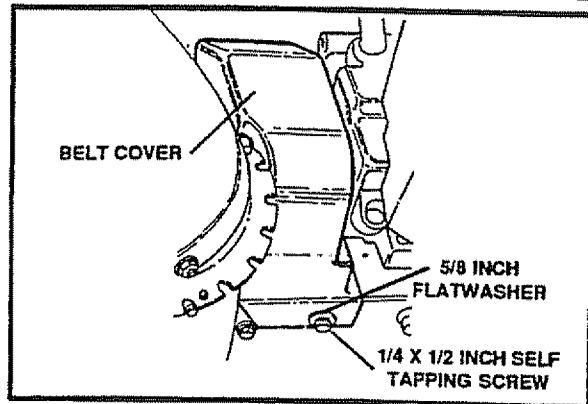


FIG. 26

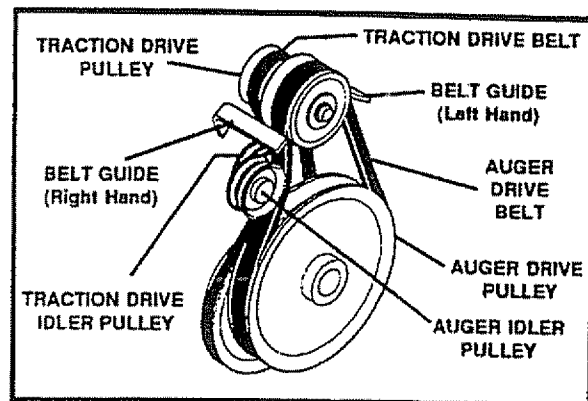


FIG. 27

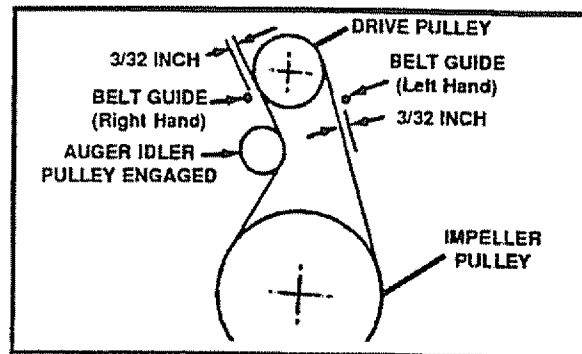


FIG. 28

# SERVICE AND ADJUSTMENTS

## TRACTION DRIVE BELT

If your snow thrower will not move forward, check the traction drive belt for wear. If the traction drive belt needs to be replaced, proceed as follows:

- Disconnect the spark plug wire.
- Remove the belt cover (See Fig. 26).
- Loosen belt guides (See Fig. 27) and pull belt guides away from the engine drive pulley.
- Loosen nut on auger idler and pull auger idler pulley away from belt.
- Remove auger drive belt from engine pulley.
- Pull drive belt idler pulley away from drive belt.
- Remove drive belt.
- Position new drive belt onto traction pulley.
- Pull idler pulley away from belt, allowing belt to be positioned onto engine pulley
- Release idler pulley. Ensure idler pulley is properly engaged with belt.
- Adjust belt guides (see To Adjust The Belt Guides paragraph below).
- Reinstall the belt cover.
- Reconnect the spark plug wire.

## TO ADJUST THE BELT GUIDES

After you replace a track or auger drive belt, you need to adjust one or both of the belt guides. Proceed as follows:

- Disconnect the spark plug wire.
- Remove the belt cover (See Fig. 26).
- Engage the auger drive clutch lever.
- Measure the distance between the belt guides and the belt (See Fig. 28). The distance should be  $3/32$ " for each guide.
- If adjustment is necessary, loosen the belt guide mounting bolts. Move the belt guides to the correct position. Tighten the mounting bolts.
- Reinstall the belt cover.
- Reconnect the spark plug wire.

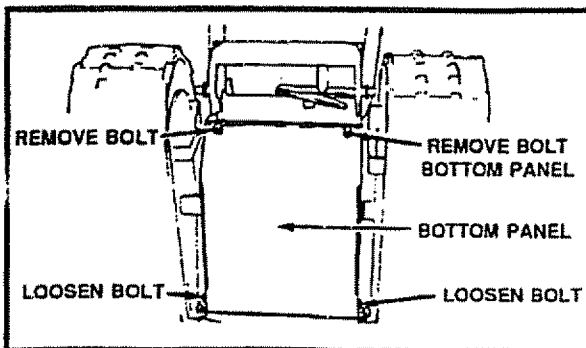


FIG. 29

## TO ADJUST THE FRICTION WHEEL

If the snow thrower will not move forward, you need to check the track drive belt, the traction drive cable or the friction wheel. If the friction wheel is damaged, it will need to be replaced. See the To Replace Friction Wheel paragraph on page 21. If the friction wheel is not worn, check the adjustment, as follows:

- Disconnect the spark plug wire.
- Drain the gasoline from the gas tank.
- Stand snow thrower on the auger housing end.
- Remove the bottom panel (See Fig. 29).
- Position the shifter lever in first (1) gear.
- Note the position of the friction wheel on the disc drive plate. The right outer side of the disc drive plate should be 3" from the center of the friction wheel (See Fig. 30).

If adjustment is necessary:

- Loosen nut "A" on the speed select rod. Remove the ball joint by removing nut "B" from the shift yoke assembly. Lengthen or shorten the rod by turning the adaptor to obtain the correct friction wheel position (See Fig. 31).
- Reinstall the ball joint and nut "B." Tighten nut "A."
- Reinstall the bottom panel.

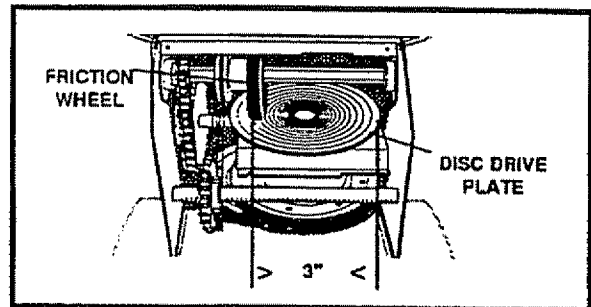


FIG. 30

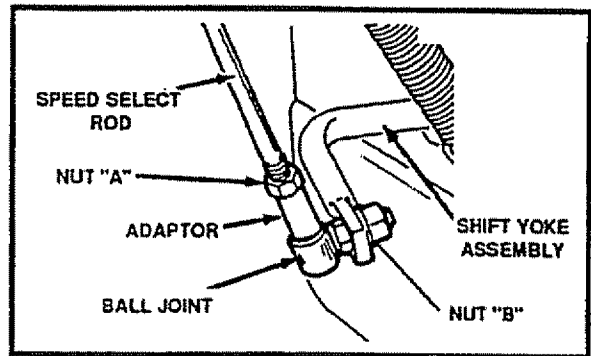


FIG. 31

# SERVICE AND ADJUSTMENTS

## TO REPLACE FRICTION WHEEL

If the snow thrower will not move forward, and the friction wheel is worn or damaged, you need to replace it, as follows: (First allow the engine to cool).



**CAUTION: DRAIN GASOLINE OUTDOORS AWAY FROM FIRE OR FLAME.**

- Drain the gasoline from the fuel tank.
- Disconnect the spark plug wire.
- Stand the snow thrower up on the auger housing end (See Fig. 34).
- Remove the bottom panel (See Fig. 32)
- Remove ball joint from shift yoke assembly.
- Remove the three (3) fasteners securing the friction wheel to the hub (See Fig. 34), and set fasteners aside.
- Remove the four bolts securing bearing plates (both sides).

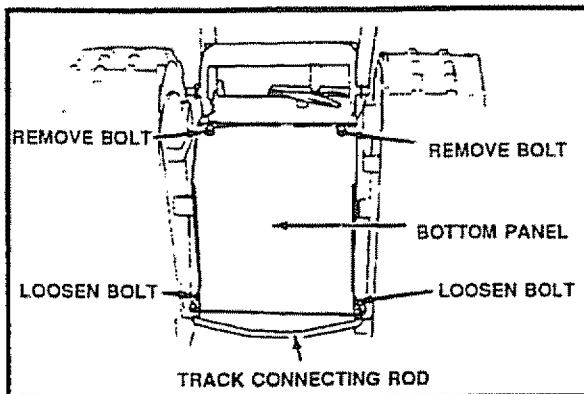


FIG. 32

- Remove the right side bearing plate. Leave hex shaft in original position.
- Remove friction wheel from hub. Slip friction wheel off hex shaft towards right side.
- Position new friction wheel onto hub. See Fig. 34.
- Install bearing plates to original position. Ensure hex shaft is engaged with both bearing plates.
- Secure bearing plates using bolts removed earlier.
- Secure friction wheel to hub, using fasteners removed earlier. Ensure hex shaft turns freely.
- Reinstall ball joint to shift yoke assembly.
- Should friction wheel require adjustment, see To Adjust The Friction Wheel on page 20

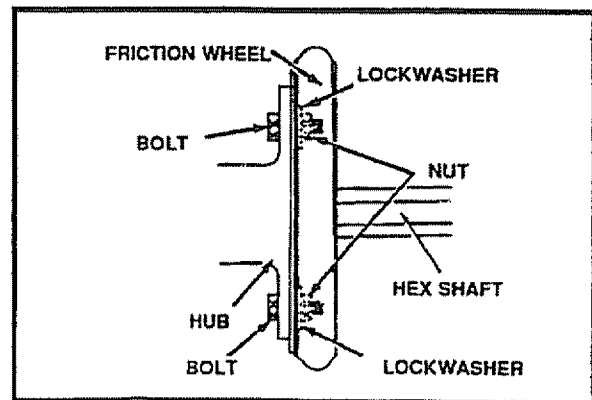


FIG. 33

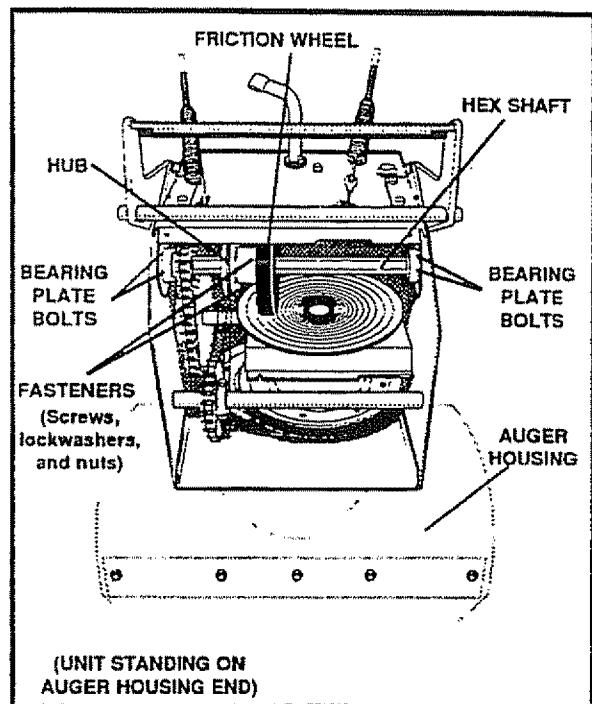


FIG. 34

**NOTE:** Ensure friction wheel and friction disc are free from grease or oil

- Replace bottom panel.

# SERVICE AND ADJUSTMENTS

## TO REPLACE AUGER SHEAR BOLT

The augers are secured to the auger shaft with special bolts (See Fig. 35) that are designed to break (to protect the machine) if an object becomes lodged in the auger housing. Use of a harder bolt will destroy the protection provided by the shear bolt.

**IMPORTANT:** TO INSURE SAFETY AND PERFORMANCE LEVELS, ONLY ORIGINAL EQUIPMENT SHEAR BOLTS SHOULD BE USED.

To replace a broken shear bolt, proceed as follows:

- Move the throttle to STOP and turn off all controls.
- Disconnect the spark plug wire. Be sure all moving parts have stopped.
- Lubricate the auger shaft zerk fitting (see the Maintenance section, pages 15-16).
- Align the hole in the auger with the hole in the auger shaft. Install the new shear bolt and shear bolt spacer provided.
- Reconnect the spark plug wire.

## TO ADJUST TRACK

If the snow thrower does not move forward evenly and the track slips slightly, you need to check the track as follows:

- Pull up gently on the center of the track near the center.

Measure the distance between the track and the top of the track support frame (See Fig. 36). The distance should not be more than one and one-quarter (1-1/4) inches.

If the distance is greater, you need to adjust the track as follows:

- Loosen or tighten the adjusting bolt at the rear of the track support frame (See Fig. 36) to obtain the proper distance between the track and the track support frame.
- Adjust the track on the opposite side in the same manner.

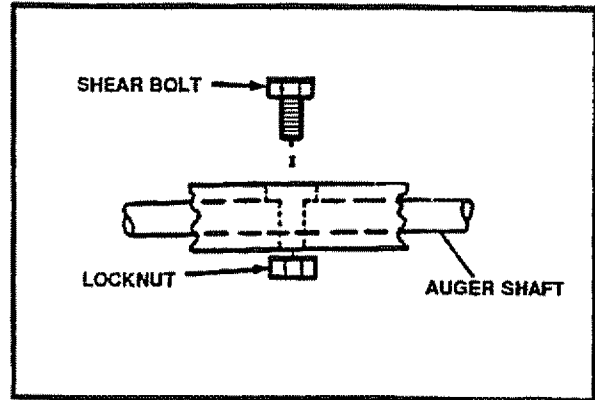


FIG. 35

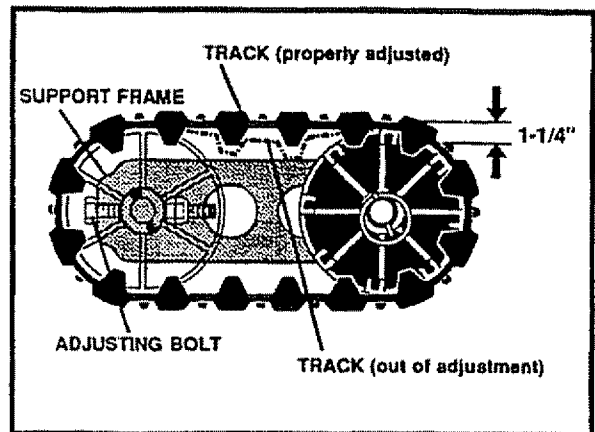


FIG. 36

# SERVICE AND ADJUSTMENTS

## TO ADJUST CARBURETOR

The carburetor (See Fig. 37 and Fig. 39) has been pre-set at the factory and readjustment should not be necessary. However, if the carburetor does need to be adjusted, proceed as follows:

- Close the high speed adjusting screw by hand.
- Do not overtighten.
- Then open it 1-1/4 to 1-1/2 turns.
- Close the idle adjusting screw by hand. Do not overtighten.
- Then open it 1-1/4 to 1-1/2 turns.
- Start the engine and let it warm up.
- Set the throttle control to RUN. Adjust the high speed adjusting screw in until the engine speed or sound alters. Adjust the screw out until the engine speed sound alters. Note the difference between the two limits and set the screw in the middle of the range.
- Set the throttle control to SLOW. Adjust the idle adjusting screw in until the engine speed drops, then adjust the screw out until the engine speed drops. Note the difference between the two limits and set the screw in the middle of the range.
- If the engine tends to stall under load or not accelerate from low speed to high speed properly, adjust the high speed screw out in 1/8 turn increments until the problem is resolved.
- Let the engine run undisturbed for 30 seconds between each setting to allow the engine to react to the previous adjustments.

**IMPORTANT:** NEVER TAMPER WITH THE ENGINE GOVERNOR. WHICH IS FACTORY SET FOR PROPER ENGINE SPEED. OVERSPEEDING THE ENGINE ABOVE THE FACTORY HIGH SPEED SETTING CAN BE DANGEROUS. IF YOU THINK THE ENGINE - GOVERNED HIGH SPEED NEEDS ADJUSTING, CONTACT YOUR NEAREST SEARS SERVICE CENTER, WHICH HAS THE PROPER EQUIPMENT AND EXPERIENCE TO MAKE ANY NECESSARY ADJUSTMENTS.

## TO ADJUST OR REPLACE THE SPARK PLUG

If you have difficulty starting your snow thrower, you may need to adjust or replace the spark plug. Follow the instructions below.

Replace the spark plug if electrodes are pitted or burned or if the porcelain is cracked.

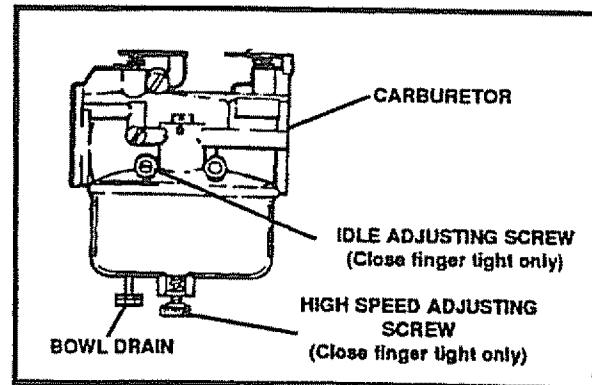


FIG. 37

### TO ADJUST:

- Clean the spark plug by carefully scraping electrodes (do not sand blast or use a wire brush).
- Be sure the spark plug is clean and free of foreign material. Check electrodes gap (See Fig. 41) with a wire feeler gauge and reset the gap to .030 inch if necessary.

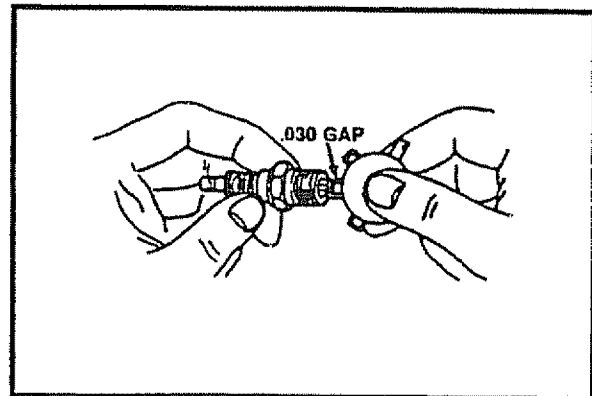



FIG. 38

### TO REPLACE:

If you need a new spark plug, use only the proper replacement spark plug (See page 38).

- Set the gap to .030.
- Before installing the spark plug, coat its threads lightly with graphite grease to insure easy removal.
- Tighten the plug firmly into the engine.
- If a torque wrench is available, torque the plug to 18 to 23 ft - lbs.

# STORAGE

 **CAUTION: NEVER STORE YOUR SNOW THROWER INDOORS OR IN AN ENCLOSED, POORLY VENTILATED AREA IF GASOLINE REMAINS IN THE TANK. FUMES MAY REACH AN OPEN FLAME, SPARK OR PILOT LIGHT FROM A FURNACE, WATER HEATER, CLOTHES DRYER, CIGARETTE, ETC.**

To prevent engine damage (if snow thrower is not used for more than 30 days) follow the steps below.

## ENGINE STORAGE

Gasoline must be removed or treated to prevent gum deposits from forming in the tank, filter, hose, and carburetor during storage. Also during storage, alcohol blended gasoline that uses ethanol or methanol (sometimes called gasohol) attracts water. It acts on the gasoline to form acids which damage the engine.

- To remove gasoline, run the engine until the tank is empty and the engine stops. Then drain remaining gasoline from carburetor by pressing upward on bowl drain located on the bottom of carburetor (See Fig. 42).
- If you do not want to remove gasoline, a fuel stabilizer (such as Craftsman Fuel Stabilizer No. 33500) may be added to any gasoline left in the tank to minimize gum deposits and acids. If the tank is almost empty, mix stabilizer with fresh gasoline in a separate container and add some to the tank. **ALWAYS FOLLOW INSTRUCTIONS ON STABILIZER CONTAINER. THEN RUN ENGINE AT LEAST 10 MINUTES AFTER STABILIZER IS ADDED TO ALLOW MIXTURE TO REACH CARBURETOR. STORE SNOW THROWER IN A SAFE PLACE. SEE WARNING ABOVE.**

You can keep your engine in good operating condition during storage by:

- Changing oil.
- Lubricating the piston/cylinder area. This can be done by first removing the spark plug and squirting clean engine oil into the spark plug hole. Then cover the spark plug hole with a rag to absorb oil spray. Next, rotate the engine by pulling the starter rope fully out two or three times. Finally, reinstall spark plug and attach spark plug wire.

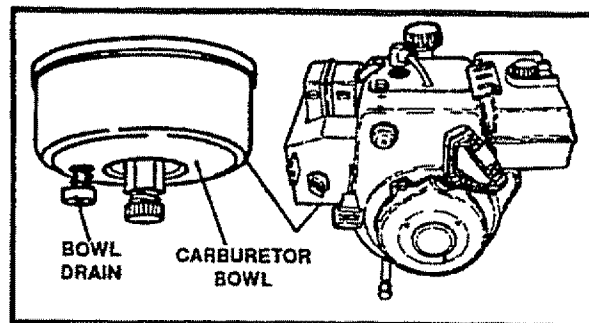


FIG. 42

## SNOW THROWER STORAGE

- Thoroughly clean the snow thrower.
- Lubricate all lubrication points (see the Maintenance section on pages 15-16).
- Be sure that all nuts, bolts and screws are securely fastened. Inspect all visible moving parts for damage, breakage and wear. Replace if necessary.
- Touch up all rusted or chipped paint surfaces; sand lightly before painting.
- Cover the bare metal parts of the blower housing auger and the impeller with rust preventative, such as sprayable lubricant.

**NOTE:** A yearly checkup or tuneup by a SEARS Service Center is a good way to insure that your snow thrower will provide maximum performance for the next season.

## LUBRICATION

### OTHER

- If possible, store your snow thrower indoors and cover it to give protection from dust and dirt.
- If the machine must be stored outdoors, block up the snow thrower to be sure the entire machine is off the ground.
- Cover the snow thrower with a suitable protective cover that does not retain moisture. Do not use plastic.

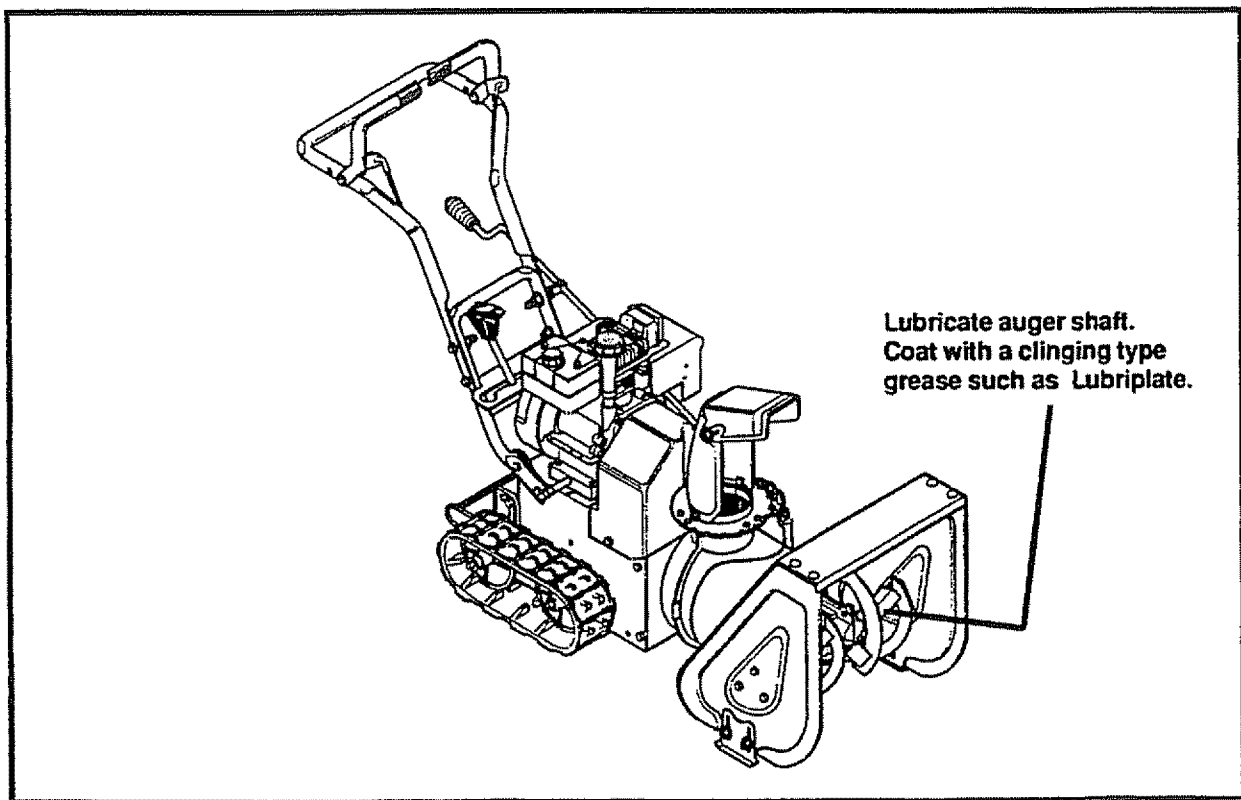
**IMPORTANT:** NEVER COVER SNOW THROWER WHILE ENGINE AND EXHAUST AREAS ARE STILL WARM.



# SERVICE RECOMMENDATIONS

SERVICE RECORDS Fill in dates as you complete regular service	SCHEDULE							SERVICE DATES					
	After First 2 hours	Before Each Use	Often	Every 10 Hours	Every 25 Hours	Each Season	Before Storage						
Check Engine Oil Level		✓				✓							
Change Engine Oil	✓				✓	✓							
Tighten All Screws and Nuts	✓	✓	✓										
Check Traction Clutch Cable Adjustment (See Cable Adjustment)	✓					✓							
Replace Spark Plug					✓	✓							
Adjust Drive Belts	✓				✓	✓							
Lubricate All Pivot Points				✓			✓						
Lubricate Auger Shaft (See Shear Bolt Replacement)							✓						
Drain Fuel							✓						
Check Auger Clutch Cable Adjustment (See Cable Adjustment)	✓					✓							

## LUBRICATION CHART



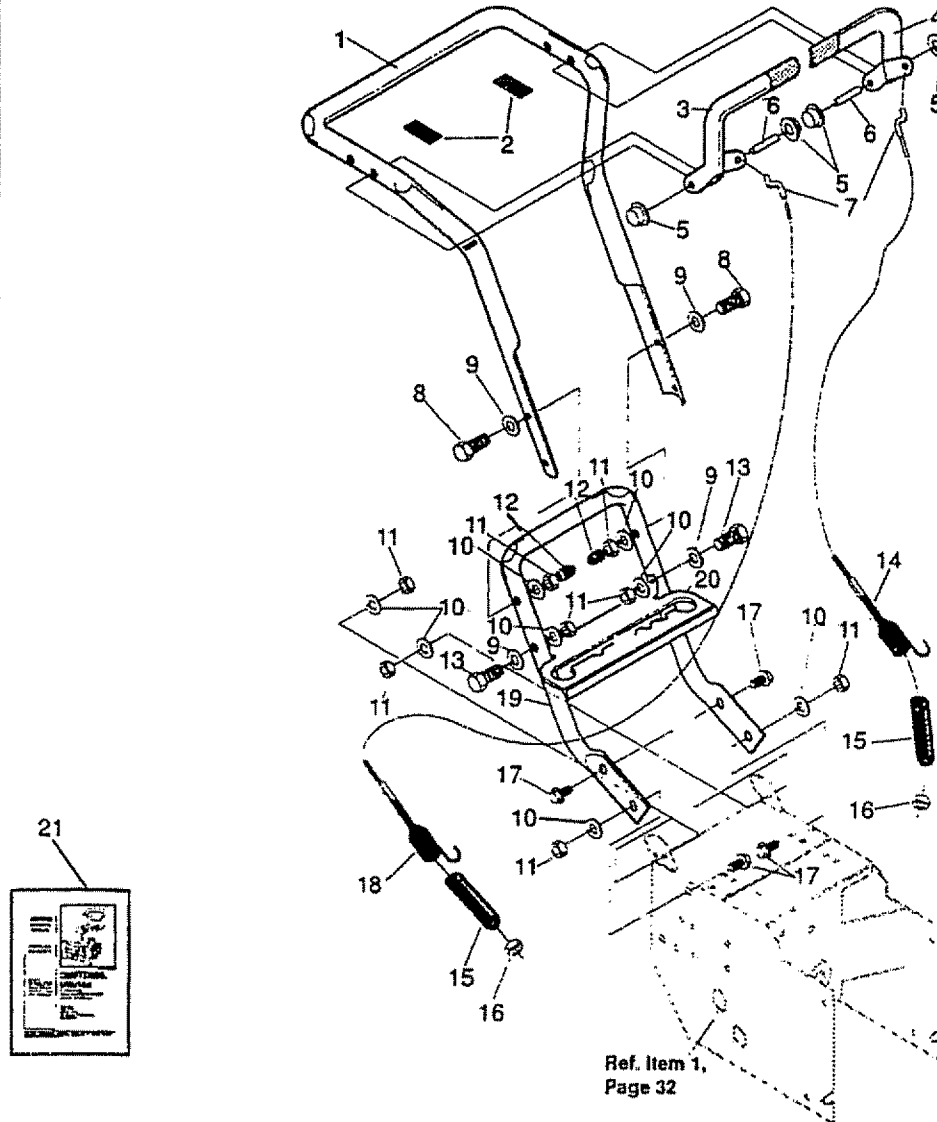
# TROUBLE SHOOTING POINTS

TROUBLE	CAUSE	CORRECTION
<b>Difficult starting</b>	Defective spark plug Water or dirt in fuel system	Replace defective plug. Use carburetor bowl drain to flush and refill with fresh fuel.
<b>Engine runs erratic</b>	Blocked fuel line or low on fuel	Clean fuel line; check fuel supply; add fresh fuel (gasoline/oil mixture if 2 cycle engine).
<b>Engine stalls</b>	Unit running on CHOKE	Move choke lever to OFF position.
<b>Engine runs erratically; Loss of power</b>	Water or dirt in fuel system  Carburetor out of adjustment	Use carburetor bowl drain to flush and refill with fresh fuel.  Adjust carburetor
<b>Excessive vibration</b>	Loose parts; damaged impeller	Stop engine immediately and disconnect spark plug wire Tighten all bolts and make all necessary repairs. If vibration continues, have the unit serviced by a competent repairman.
<b>Unit fails to propel itself</b>	Klick pins improperly installed  Drive belt loose or damaged  Incorrect adjustment of traction drive cable  Worn or damaged friction wheel	Replace drive belt.  Adjust traction drive cable.  Replace friction wheel.
<b>Unit fails to discharge snow</b>	Auger drive belt loose or damaged  Auger control cable not adjusted correctly  Shear bolt broken  Discharge chute clogged  Foreign object lodged in auger	Adjust auger drive belt; replace if damaged.  Adjust auger control cable.  Replace shear bolt.  Stop engine immediately and disconnect spark plug wire Clean discharge chute and inside of auger housing.  Stop engine immediately and disconnect spark plug wire. Remove object from auger.
<b>Headlight does not work</b>	Loose wire connection  Bulb burned out	Tighten connection.  Replace headlight bulb.
<b>Unit rides up</b>	Weight transfer disengaged	Engage weight transfer system by lifting up on upper handle until bracket bolts snap into place in upper slots of weight transfer pedal.

**NOTES**

# CRAFTSMAN 24" SNOW THROWER 536.884821

## HANDLE ASSEMBLY REPAIR PARTS



REF. NO.	PART NO.	PART NAME
1	318457	Handle, Upper
2	4049	Bumper
3	307978	Auger Drive Lever, RH
4	307976	Traction Drive Lever, LH
5	3535	Nut, Push On Cap, 5/16 In.
6	302578	Pin, Clutch Handle, Pivot
7	1579	Cable, Clutch
8	11234	Screw, Hex. 5/16-18 x 2-3/4 In.
9	71071	* Flatwasher. 11/32 In.
10	71060	Lockwasher, Split 5/16 In.
11	71037	* Nut, Hex. 5/16-18 Thd.

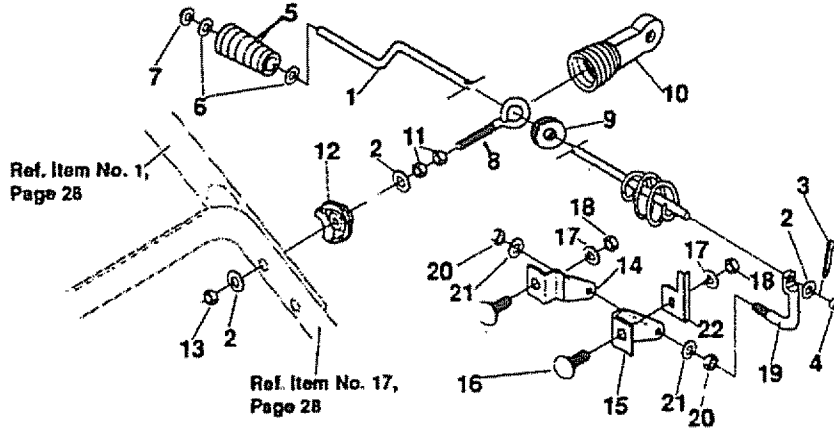
REF. NO.	PART NO.	PART NAME
12	11261	Stop, Red Plastic, 5/16 In.
13	12619	Screw. HHC, 5/16-18 x 2 In
14	579869	Spring, Drive Clutch LH
15	308146	Boot, Clutch Spring
16	71035	Nut, Hex Nyl, 1/4-20 In.
17	70985	Screw, HHC, 5/16-18 x 3/4 In.
18	1673	Spring, Auger Clutch RH
19	318458	Handle, Lower
20	318459	Bracket, Shift
21	318533	Owner's Manual

\* Indicates Standard Hardware Items.

318782-314002 B

# CRAFTSMAN 24" SNOW THROWER 536.884821

## CHUTE CONTROL ROD REPAIR PARTS

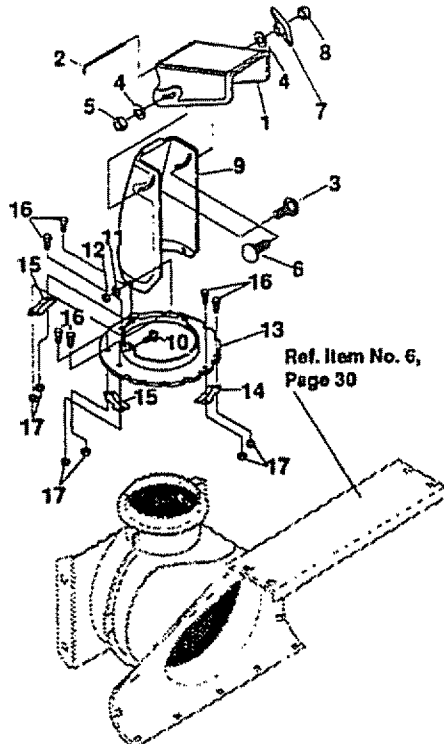


REF. NO.	PART NO.	PART NAME	REF. NO.	PART NO.	PART NAME
1	581621	Crank & Worm Assembly	12	309344	Adapter, Boot to Handle
2	71072	Flatwasher, .406 x .81 x .066	13	71046	Nut, Hex Nyl 3/8-16 Thd.
3	71082	Pin, Cotter	14	1162	Bracket, Chute Control R.H.
4	104	Cap, Plastic	15	7052	Bracket, Chute Control L.H.
5	307399	Handle Grip, Chute Control Rod	16	70993	Bolt, Carriage, 5/16-18 x 3/4 In.
6	309312	Flatwasher, .39 x .70 x .05	17	71060	Lockwasher, Split, 5/16 In.
7	304872	Ring, Retainer	18	71037	* Nut, Hex, 5/16-18 Thd.
8	581618	Bolt, Eye	19	7055	Rod, Chute Control
9	148	Grommet, Eye Bolt	20	7058	Nut, Hex Jam, 1/2-20 Thd.
10	308145	Boot, Eye Bolt, Chute Crank	21	7059	Lockwasher, Split, 1/2 In.
11	71045	Nut, Hex Jam, 3/8-16 Thd.	22	309059	Bracket, Chute Rotate Stop

\* Indicates Standard Hardware Items.

319044-314008C

## DISCHARGE CHUTE REPAIR PARTS



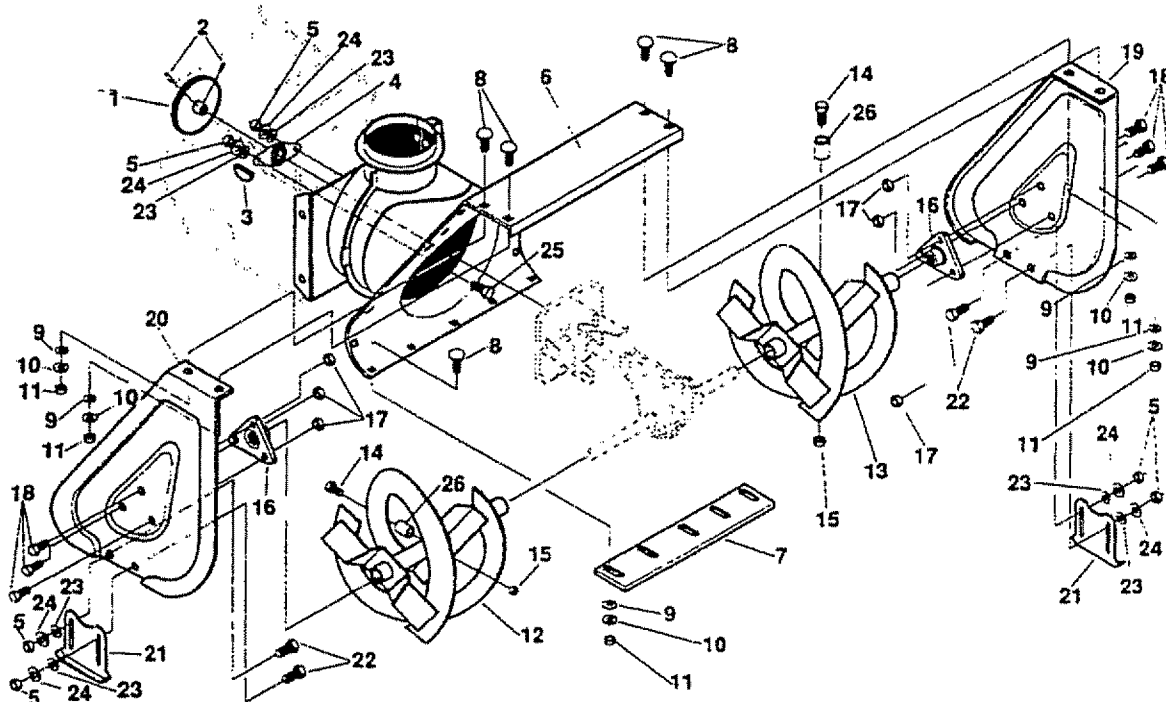
REF. NO.	PART NO.	PART NAME
1	307665	Upper Chute Deflector
2	308931	Wire, Chute Hinge
3	302634	Screw, SttMa, 5/16-18 x 3/4 In.
4	302680	Flatwasher, .312 x .73 x .065
5	71391	Locknut, Hex, 5/16-18 Thd.
6	302843	Bolt, Carriage, 5/16-18x1-1/4 In.
7	57171	Knob, Tee
8	71037	* Nut, Hex, 5/16-18 Thd.
9	307698	Lower Chute
10	305236	Screw, HHC, 1/4-20 x 1/2 In.
11	71067	Flatwasher, .286 x .63 x .065
12	73826	* Locknut, Hex, 1/4-20 Thd.
13	308839	Ring, Lower Chute
14	85480	Clip, Chute Retainer
15	309057	Clip, Chute Retainer w/Stop
16	71032	Screw, WahMa, #8-32 x 1/2 In.
17	71058	Locknut, Hex, #8-32

\* Indicates Standard Hardware Items.

319029-313998 A

# CRAFTSMAN 24" SNOW THROWER 536.884821

## AUGER HOUSING REPAIR PARTS



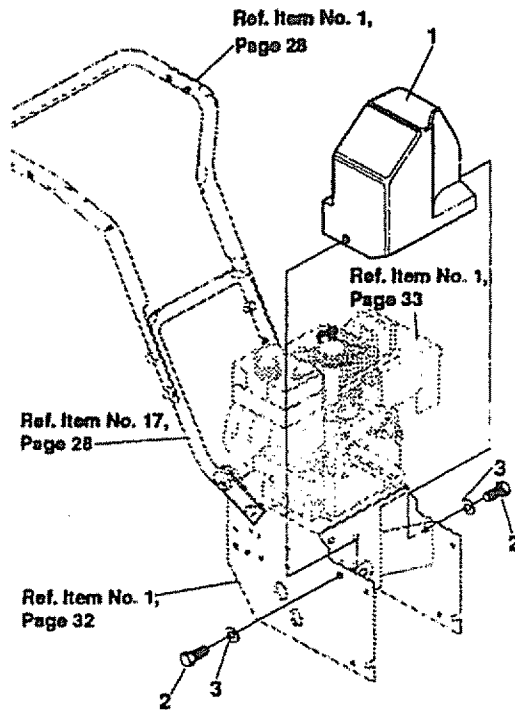
REF. NO.	PART NO.	PART NAME
1	580296	Pulley, Traction Drive
2	577399	Screw, Set, 5/16-18 x 1/2 In.
3	50795	Key, Hi-Pro 606
4	53266	Bearing & Retainer Assembly
5	71037	* Nut, 5/16-18 Thd.
6	318577	Housing, Auger Assembly
7	318580	Blade, Scraper, 22 In.
8	302623	Bolt, Carriage, 1/4-20 x 5/8 In.
9	71067	* Flatwasher, 9/32 x 5/8 In.
10	71059	Lockwasher, Split, 1/4 In.
11	71034	* Nut, Hex, 1/4-20 Thd.
12	318582	Auger, Assembly, R.H.
13	318581	Auger, Assembly, L.H.

REF. NO.	PART NO.	PART NAME
14	9524	Screw, HHC, 1/4-20 x 1-3/4 In.
15	73826	* Locknut, 1/4-20 Thd.
16	301375	Bearing, Flange
17	302627	Nut, Wd Fl, 5/16-18 Thd.
18	302626	Screw, Wa, 5/16-18 x 3/4 In.
19	306224	Plate, Auger Side L.H.
20	306225	Plate, Auger Side R.H.
21	307983	Skid, Height Adjust
22	70993	Bolt, Carriage, 5/16-18 x 3/4 In.
23	71071	* Flatwasher, 11/32 In.
24	71060	Lockwasher, Split, 5/16 In.
25	70983	Screw, 5/16-18 x 5/8 In.
26	3943	Spacer, Sleeve, .250 x .47 x .20

\* Indicates Standard Hardware Items.

3:8999-313997C

**BELT COVER REPAIR PARTS**



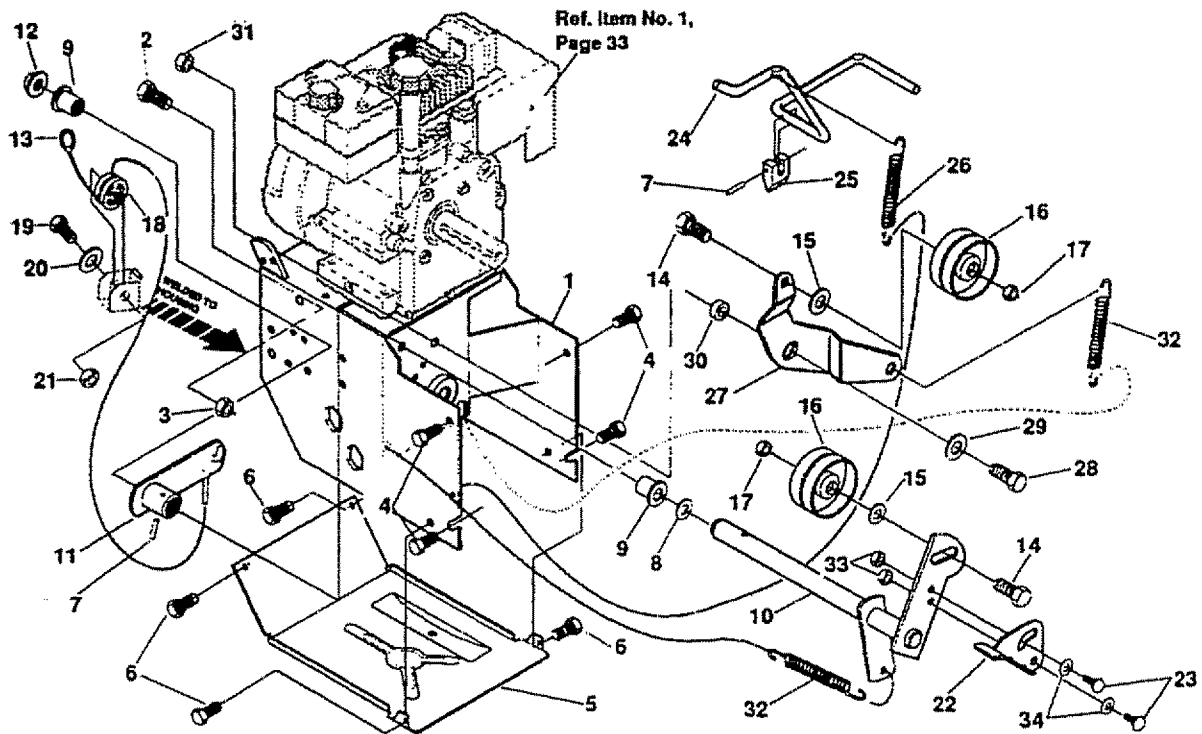
REF. NO.	PART NO.	PART NAME
1	580773	Cover, Belt
2	70978	Screw, WaTap, 1/4-20x1/2 In.
3	71067	* Flatwasher, 5/8 In.

\* Indicates Standard Hardware Items.

318778-314018 A1

# CRAFTSMAN 24" SNOW THROWER 536.884821

## FRAME COMPONENTS REPAIR PARTS



REF. NO.	PART NO.	PART NAME
1	580928	Frame
2	71393	Screw, HHC, 5/16-24 x 1 In.
3	71100	Locknut, HexWdFl, 5/16-24 Thd
4	70984	Screw, WaTap, 5/16-18 x 3/4 In.
5	318453	Panel, Bottom
6	70978	Screw, WaTap, 1/4-20 x 1/2 In.
7	73801	Pin, Spring
8	71074	Flatwasher, .53 x 1.06 x .095
9	53703	Bearing, Flange
10	580889	Shaft Auger Clutch Assy.
11	579874	Lever, Auger Clutch
12	73817	Nut, Push On
13	579856	Cable, Clutch
14	71006	Screw, HHC, 3/8-16 x 1-1/4 In.
15	71072	Flatwasher
16	50793	Pulley, Idler
17	590	Locknut, Jam, 3/8-16 Thd.

REF. NO.	PART NO.	PART NAME
18	579860	Spool, Cable Auger Clutch
19	71360	Screw, HHC, 1/4-20 x 1-3/4 In
20	71067	* Flatwasher, .286 x .63 x .065
21	71035	Nut, Hex Nyl, 1/4-20 Thd.
22	580944	Cam, Brake Arm
23	302623	Bolt, Carriage, 1/4-20 x 5/8 In.
24	580946	Rod, Brake Arm
25	581540	Pad, Brake
26	318468	Spring, Tension
27	579872	Lever, Idler Arm Traction
28	70985	Screw, HHC, 5/16-18 x 3/4 In.
29	73795	Flatwasher, .328 x 1.38 x .075
30	579865	Bushing, Idler Lever
31	71038	Nut, Hex Nyl, 5/16-18 Thd.
32	53704	Spring, Idler Traction Drive
33	1502	* Locknut, Hex, 1/4-20 Thd.
34	120393	Flatwasher, .344 x .69 x .065

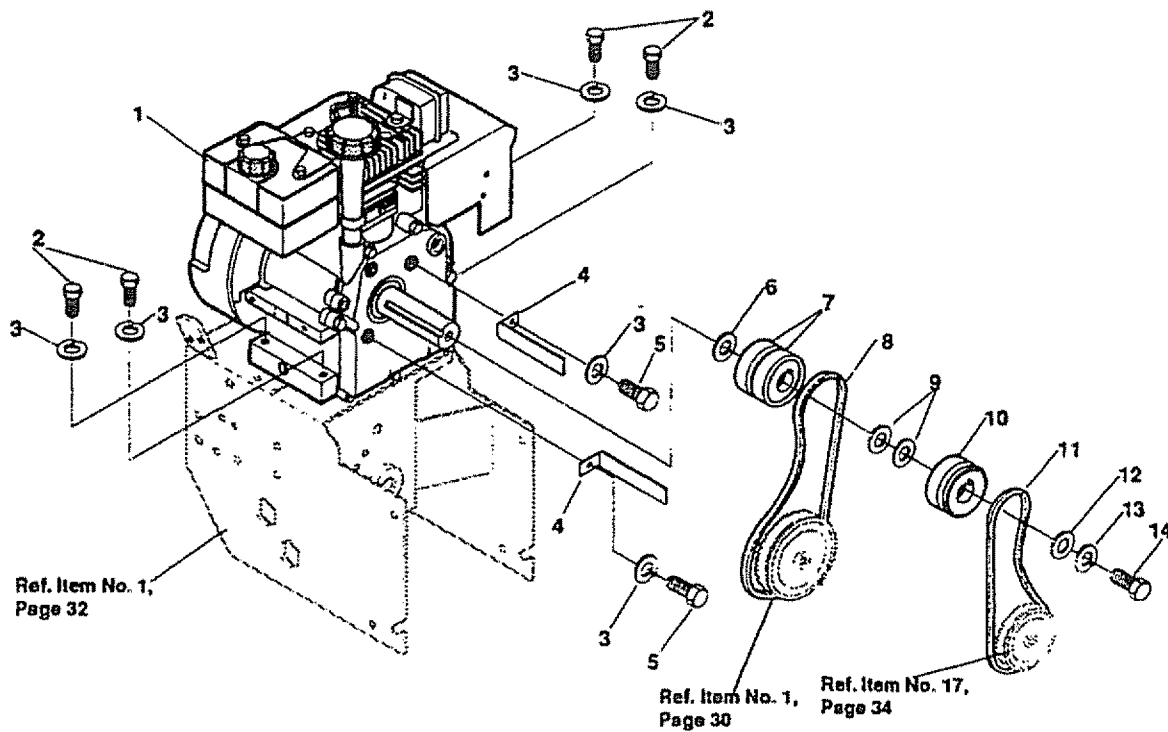
\* Indicates Standard Hardware Items.

318790-313993 D



# CRAFTSMAN 24" SNOW THROWER 536.884821

## ENGINE COMPONENTS REPAIR PARTS

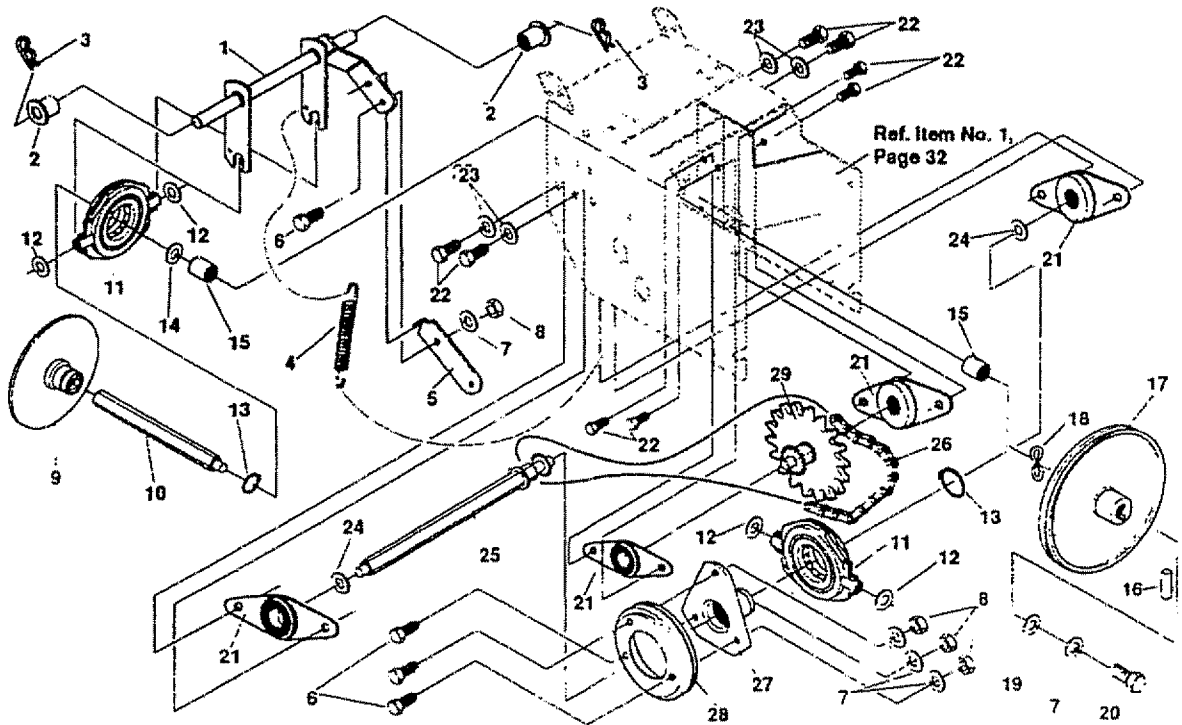


REF. NO.	PART NO.	PART NAME
1	318551	Engine, Craftsman, Model No. HS50-67326K (See Engine Repair Parts list)
2	302636	Screw, HHC, 5/16-18x1-1/4 In.
3	71060	Lockwasher, Split, 5/16x.58x.08
4	579857	Bracket, Belt Guide
5	578733	Screw, HHC, 5/16-24x5/8 In.
6	579855	Washer, Crankshaft
7	579854	Pulley Half
8	579932	Belt, Traction Drive
9	579861	Flatwasher, .752x.91x.02
10	53715	Pulley, Engine
11	581264	Belt, Auger Drive
12	50677	Flatwasher, .375x1.25x.104
13	71063	Lockwasher, Split, .38ID
14	71015	Screw, HHC, 3/8-24x1 In.

319026-313992 B

# CRAFTSMAN 24" SNOW THROWER 536.884821

## DRIVE COMPONENTS REPAIR PARTS



REF. NO.	PART NO.	PART NAME
1	579941	Lever Assembly, Traction Clutch
2	53703	Bearing, Flange
3	71079	Pin, Cotter
4	53818	Spring, Return
5	579937	Lever, Spring Traction Clutch
6	11871	Screw, HHC, 1/4-20 x 5/8 In.
7	71059	Lockwasher, Split, .26 x .50 x .06
8	71034	Nut, Hex, 1/4-20 Thd.
9	579877	Disc, Friction Wheel, 7"
10	580959	Shaft, Hex Traction
11	85501	Bearing Assembly, Trunion
12	73812	Flatwasher, .50 x 1.00 x .06
13	73811	Ring, Retainer
14	580969	Flatwasher, .680 x 1.12 x .06
15	49562	Bearing, Roller

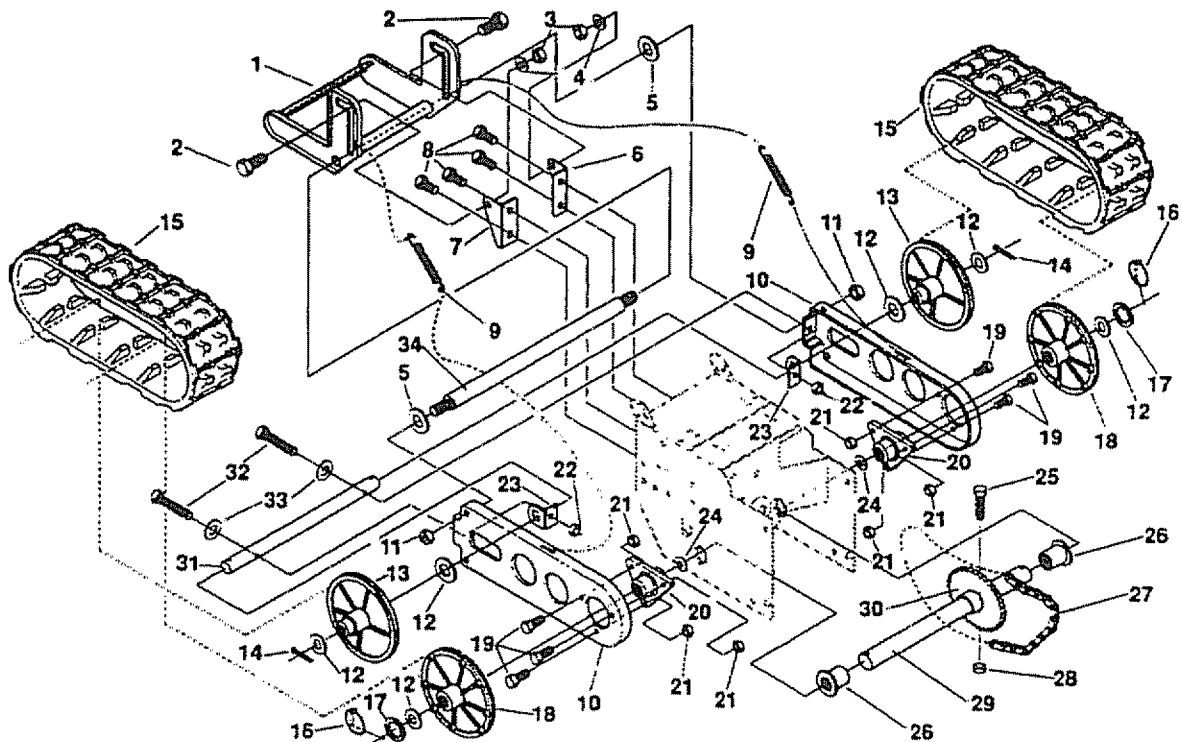
REF. NO.	PART NO.	PART NAME
16	580970	Key, Square
17	580961	Pulley, Auger Drive
18	580965	Wave Washer
19	578962	Flatwasher, 281x 1 00 x 063
20	579052	Screw, HHC, 1/4-20 x 5/8 In.
21	1413	Bearing & Retainer Assembly
22	70982	Screw, WaTap, 5/16-18 x 1/2 In.
23	71060	Lockwasher, Split, .31 x .58 x .08
24	579858	Washer, Special
25	579897	Shaft Hex & Sprocket Assembly
26	579867	Chain, Roller #42
27	581773	Hub, Friction Wheel
28	53830	Wheel, Friction Disc
29	579893	Sprocket, 8 Tooth, Assembly

\* Indicates Standard Hardware Items.

318791-313995C

# CRAFTSMAN 24" SNOW THROWER 536.884821

## TRACK ASSEMBLY REPAIR PARTS



REF. NO.	PART NO.	PART NAME
1	580658	Pedal, Weight Transfer
2	6001	Bolt, Shoulder, 5/16-18 Thd.
3	71037	* Nut, Hex, 5/16-18 Thd.
4	71060	Lockwasher, Split, .31 x .58 x .08
5	71072	Flatwasher, .406 x .81 x .066
6	318455	Bracket, Weight Transfer L.H.
7	318456	Bracket, Weight Transfer R.H.
8	70978	Screw, WahTap, 1/4-20 x 1/2 In.
9	51447	Spring, Drive Idler
10	318454	Plate, Track Drive
11	45171	* Locknut, Whiz WdFl, 3/8-16 Thd.
12	302613	Flatwasher, .656 x 1.31 x .095
13	580906	Wheel
14	302847	Pin, Cotter
15	580047	Track, 4" WD x 15 Pitch
16	322424	Pin, Klick
17	239	Ring, Retaining
18	580903	Sprocket, Track Drive Compact

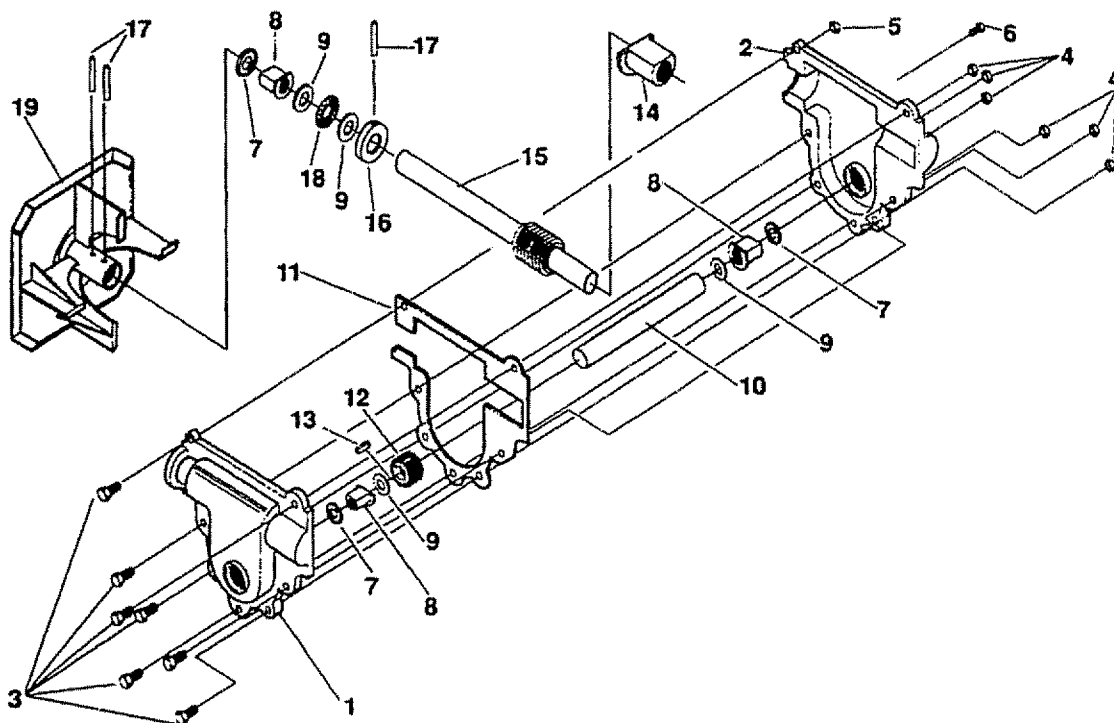
REF. NO.	PART NO.	PART NAME
19	70974	Screw, HHC, 1/4-20 x 3/4 In.
20	316863	Bearing, Track
21	46931	Locknut, Wd Fl, 1/4-20 Thd.
22	71034	* Nut, Hex, 1/4-20 Thd.
23	580634	Bracket, Track Tensioner
24	580764	Spacer, Plastic .755x1.20x.410
25	73839	Screw, HHC, 1/4-20 x 2-1/4 In.
26	53836	Bearing, Flange
27	579868	Chain, Roller
28	71035	Nut, Hex Nyl 1/4-20 Thd.
29	581119	Shaft, Axle Track/Comp 20"
30	581170	Sprocket, Hub
31	580877	Shaft, Idler 4" Track
32	302618	Screw, HHC, 1/4-20 x 3 In.
33	71067	* Flatwasher, .286 x .63 x .065
34	580654	Shaft, Foot Pedal, 4" Track

\* Indicates Standard Hardware Items.

319030-313999 A

# CRAFTSMAN 24" SNOW THROWER 536.884821

## GEAR BOX REPAIR PARTS



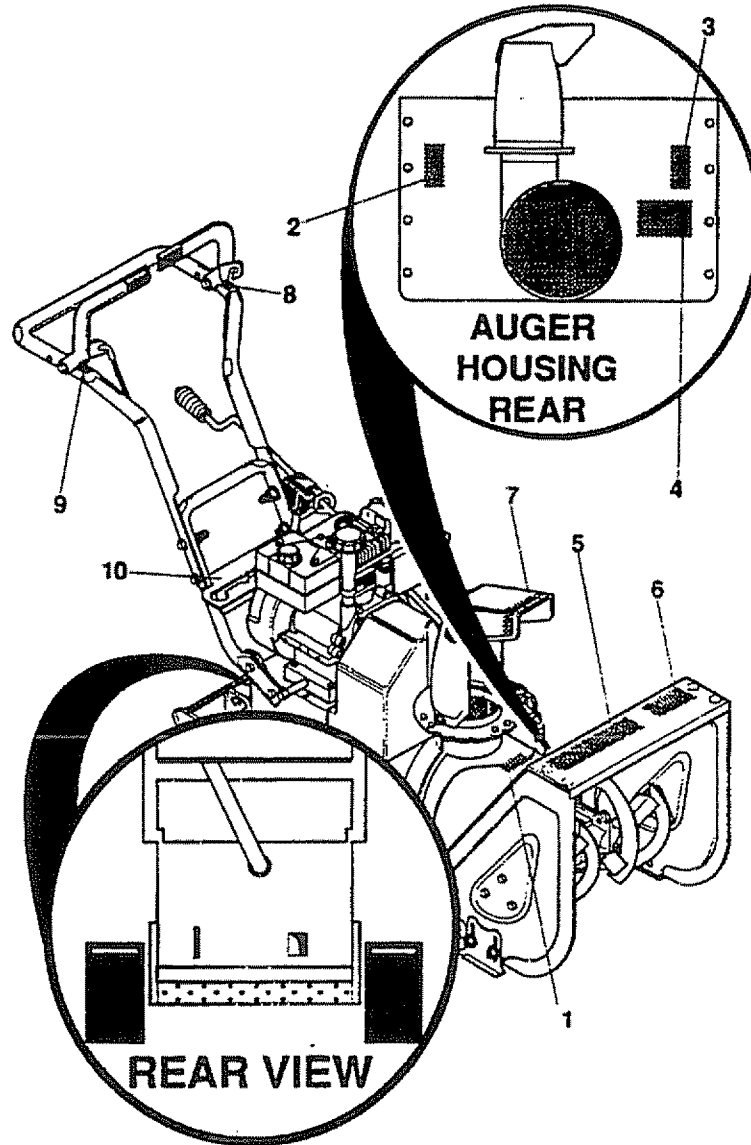
REF. NO.	PART NO.	PART NAME
1	51278	Case, Gear Box R.H.
2	51277	Case, Gear Box L.H.
3	302628	Screw, HHC, 1/4-20x3/4 In.
4	302635	Locknut, Wd Fl, 5/16-24 Thd.
5	303008	Nut, Hex Keps, 1/4-20 Thd.
6	302630	Screw, WaTap, 3/8-16x1/2 In.
7	24274	Seal, Oil
8	50304	Bearing, Flange
9	48275	Flatwasher, .752x1.24x.09
10	581389	Shaft, Auger, 24 In.

REF. NO.	PART NO.	PART NAME
11	51279	Gasket, Gear Case
12	51405	Gear, Worm
13	431787	Key, Woodruff #61
14	50221	Bearing, Flange
15	580294	Shaft, Worm Impeller
16	580295	Collar, Thrust
17	454565	Pin, Spring
18	50684	Bearing, Roll
19	307969	Impeller Assembly

319027-313996 A

# CRAFTSMAN 24" SNOW THROWER 536.884821

## DECALS

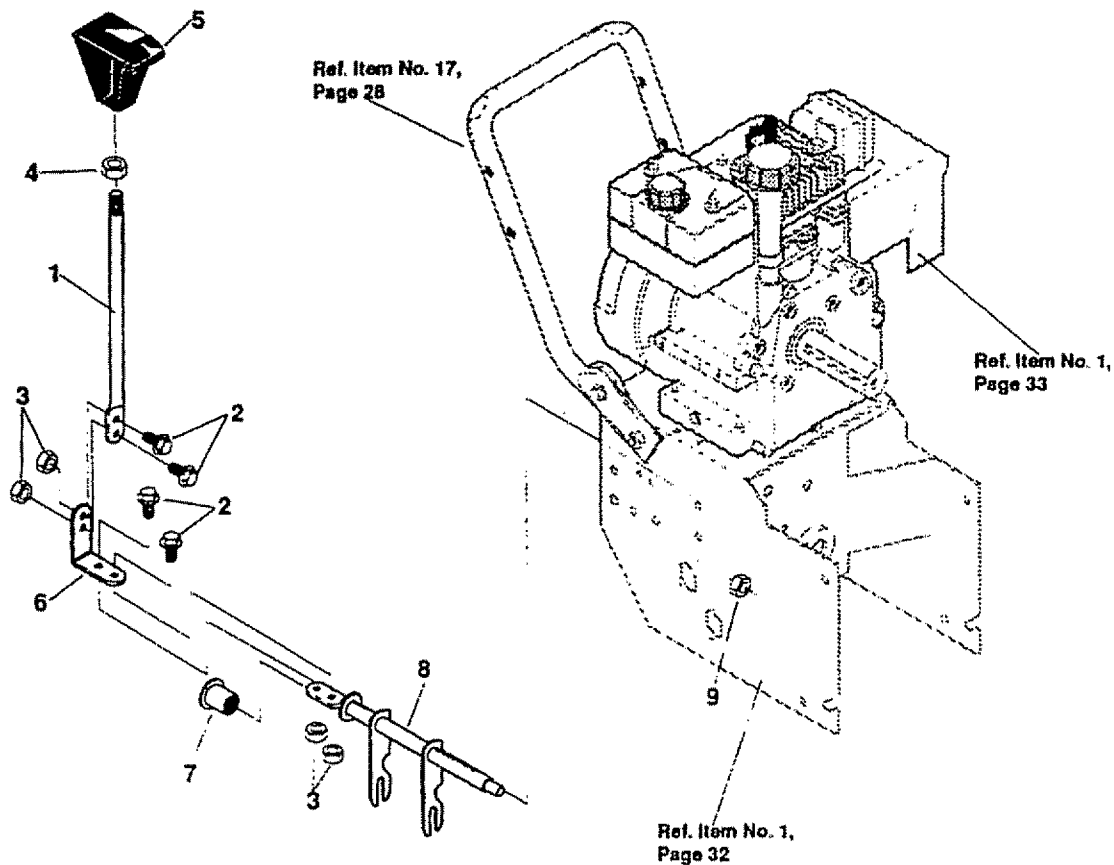


REF. NO.	PART NO.	PART NAME
1	302487	Decal, 9" Impeller
2	70141	Decal, Danger Auger
3	70142	Decal, Danger Chute
4	302922	Decal, Danger Instruction
5	308766	Decal, Craftsman
6	318509	Decal, 5/24 Auger Housing
7	308768	Decal, Danger Stripe Chute
8	3902	Decal, Traction Drive Engage
9	3903	Decal, Auger Drive Engage
10	319033	Decal, Gear Selector

314005 A

# CRAFTSMAN 24" SNOW THROWER 536.884821

## SHIFT YOKE REPAIR PARTS



REF. NO.	PART NO.	PART NAME
1	318463	Rod, Shift
2	302638	Screw, WdFl, 1/4-20x5/8 In.
3	73826	* Locknut, Hex, 1/4-20 Thd.
4	318486	Nut, HexJam, 1/2-13 Thd.
5	304438	Knob, Shift, 1/2-13 Thd.
6	318460	Plate, Shift Lever
7	579944	Bearing, Flange
8	318461	Shift Yoke Assembly
9	71111	Locknut, Hex, 3/8-16 Thd.

\*Indicates Standard Hardware Items.

**CARBURETOR NO. 632107A**

The diagram shows an exploded view of a carburetor. On the left, the main body is shown with various screws and springs. On the right, the float bowl assembly is shown in detail, including the float, needle, and drain plug. A separate box labeled 'REPAIR KIT' is shown at the bottom left, with a dashed line indicating its contents are included in the assembly.

Ref. No.	Part No.	Part Name
1	631615	Throttle Shaft & Lever Assy.
2	631767	Throttle Return Spring
6	631036	Throttle Shutter
7	650506	Throttle & Choke Shutter Screw
10	632108	Choke Shaft & Lever Assy.
14	631815	Choke Shutter
15	630735	Choke Positioning Spring
16	631807	Fuel Fitting
17	650417	Idle Speed Screw
18	630766	Tension Spring
20	*631838	Idle Mixture Screw
21	630766	Idle Tension Spring
22	630739	Washer, Idle Screw
23	*630740	O Ring, Idle Screw
25	631951	Float Bowl Assy. (Incl. Nos. 32 & 33)
27	*631024	Shaft, Float
28	632019	Float
29	*631028	O Ring, Float Bowl to Body
30	*631021	Inlet Needle, Seat & Clip (Incl. No. 31)
31	631022	Spring Clip
32	27136A	Bowl Drain Assy. (Incl. No. 33)
33	27554	Drain Plunger Gasket
40	*31839	Main Adj. Screw Assy. (Incl. Nos. 41, 42 & 43)
41	*630740	O Ring, High Speed Mixture Screw
42	630739	Washer, High Speed Mixture Screw
43	630738	Tension Spring, High Speed Mixture Screw
44	*27110	Bowl Nut Washer
47	*630748	Welch Plug, Idle Mixture Well
48	*631027	Welch Plug, Atmospheric Vent
60	31840	Repair Kit (Incl. Parts Marked with *)

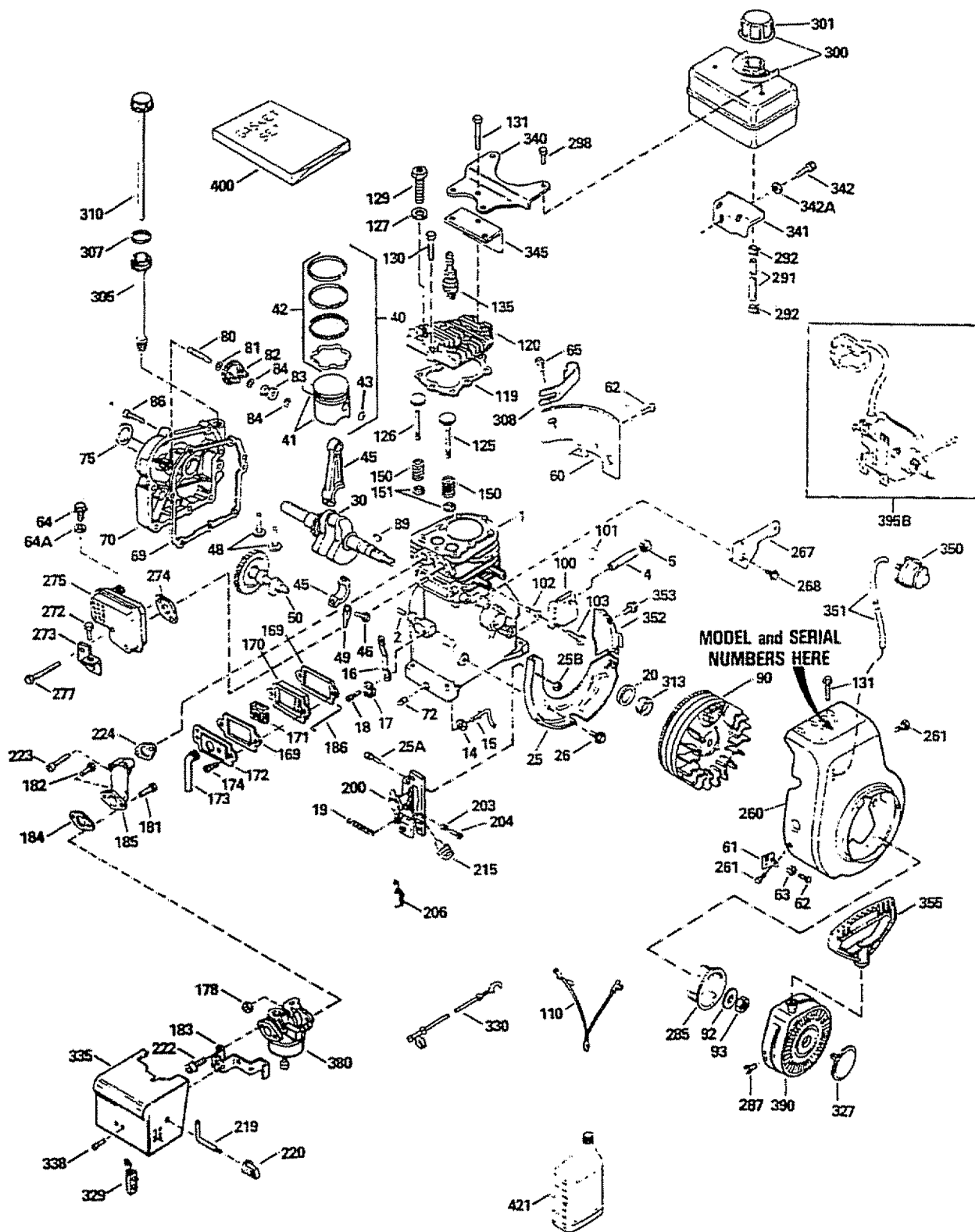
**REWIND STARTER NO. 590646**

The diagram shows an exploded view of a rewind starter. It includes the main housing (11), a pulley (8), a spring (9), a dog (6), a retainer (3), a washer (2), and a rope (12). The rope is shown attached to a handle (13) with a grip. The diagram is numbered 1 through 13 to identify each component.

Ref. No.	Part No.	Name
	590646	Starter, Rewind
1	590599A	Pin, Spring (Incl. No. 4)
2	590600	Washer
3	590615	Retainer
4	590601	Washer
5	590598	Spring, Brake
6	590616	Dog, Starter
7	590617	Spring, Dog
8	590645	Pulley
9	590619	Spring, Rewind
10	590620	Cover, Spring
11	590647	Housing Assy., Starter
12	590535	Rope, Starter (Length 98" & 9/64" dia.)
13	590574	Handle, Mitten Grip (Not included with starter)

# CRAFTSMAN 4-CYCLE ENGINE

MODEL: HS50 - 67326K





# CRAFTSMAN 4-CYCLE ENGINE

MODEL: HS50 - 67326K

Ref. No.	Part No.	Part Name	Ref. No.	Part No.	Part Name
1	33674B	Cylinder Assy. (Incl. Nos. 2, 20, 72)	125	29315C	Valve, Exhaust (1/32" oversize) (Incl. No. 151)
2	26727	Pin, Dowel			
4	30968	Nipple, Pipe	126	32644A	Valve, Intake (Std.) (Incl. No. 151)
5	30969	Cap, Oil drain	126	32645A	Valve, Intake (1/32" oversize) (Incl. No. 151)
14	28277	Washer, Flat			
15	31334	Rod, Governor	127	650691	Washer, Flat
16	31510	Lever, Governor	129	650818	Screw, Special hex hd., 5/16-18 x 1-1/2
17	31335	Clamp, Governor lever			
18	650548	Screw, Hex washer hd., 8-32 x 5/16	130	6021A	Screw, Hex flange hd., 5/16-18 x 1-1/2
19	31426	Spring, Extension	131	650694A	Screw, Hex flange hd., 5/16-18 x 2
20	32600	Seal, Oil	135	35395	Plug, Spark (R.J-19LM or equivalent)
25	133342	Baffle, Blower housing	150	31672	Spring, Valve
25A	1650139	Screw, Fil. hd. Sems, 8-32 x 1/2	151	31673	Cap, Valve spring
25B	130322	Locknut, Hex "Keps", 8-32	169	*27234A	Gasket, Breather
26	650561	Screw, Hex washer hd. Durltok, 1/4-20 x 5/8	170	27666	Body, Valve cover
			171	31410	Element, Breather
30	34740	Crankshaft Assy.	172	34146	Cover, Breather
40	34535	Piston, Pin & Ring Assy. (Std.) (Incl. Nos. 41, 42 & 43)	173	35350	Tube, Breather
			174	650128	Screw, Hex hd. Sems, 10-24 x 1/2
40	34536	Piston, Pin & Ring Assy. (.010 oversize) (Incl. Nos. 41, 42 & 43)	178	29752	Nut & Lockwasher, 1/4-28
			181	6201	Screw, Hex hd., 1/4-28 x 7/8
40	34537	Piston, Pin & Ring Assy. (.020 oversize) (Incl. Nos. 41, 42 & 43)	182	650870	Screw, Hex hd., 1/4-28 x 1-11/16
			183	34583	Bracket, Choke
41	33562B	Piston & Pin Assy. (Std.) (Incl. No. 43)	184	*26756	Gasket, Carburetor
41	33563B	Piston & Pin Assy. (.010 oversize) (Incl. No. 43)	185	33691	Pipe, Intake
			186	32698	Link, Governor to throttle
41	33564B	Piston & Pin Assy. (.020 oversize) (Incl. No. 43)	200	33858A	Control Assy., Bracket (Incl. Nos. 25A, 25B, 203, 204 & 206)
					Spring, Compression
42	33567	Ring Set, Piston (Std.)	203	31342	Screw, Fil. hd., 5-40 x 7/16
42	33568	Ring Set, Piston (.010 oversize)	204	650549	Terminal Assy.
42	33569	Ring Set, Piston (.020 oversize)	206	610973	Knob, Speed control
43	20381	Ring, Piston pin retaining	215	35440	Rod, Choke
45	32875	Rod Assy., Connecting (Incl. Nos. 46 & 49)	219	34582	Knob, Choke control
			220	35438	Screw, Fil. hd. Sems, 10-32 x 1/2
46	32610A	Bolt, Connecting rod	222	28820	Screw, Fil. hd. Sems, 1/4-20 x 1-19/32
48	27241	Lifter, Valve	223	650664	Gasket, Intake to cylinder
49	32654	Dipper, Oil	224	*33673A	Housing, Blower
50	33158	Camshaft (Compression Release)	260	35656	Screw, Hex hd. Sems, 1/4-28 x 7/16
60	29745	Extension, Blower housing	261	29212	Bracket, Hold down
61	34126	Bracket, Grommet mounting	267	34212	Screw, Hex washer hd. self-tap Sems, 10-24 x 9/16
62	650760	Screw, Pan hd. taptite, 8-32 x 3/8	268	30200	Screw, Hex hd. Sems, taptite, 10-24 x 3/8
63	28545	Grommet, Plastic			
64	30063	Screw, Torx T-30 Hex washer hd. Sems, 1/4-20 x 1/2	272	650735	Bracket, Carburetor cover
64A	8345	Washer, Flat	273	33333	Gasket, Exhaust
65	650128	Screw, Hex hd. Sems, 10-24 x 1/2	274	*33670A	Muffler (Incl. No. 274)
69	*27677A	Gasket, Cylinder cover	275	33671A	Screw, Fil. hd., 1/4-20 x 2-1 2
70	34674A	Cover, Cylinder (Incl. Nos. 75 & 80)	277	650327	Cup, Starter
72	27642	Plug, Pipe, 1/4-18	285	34694	Screw, Hex washer hd., 8-32 x 1/2
75	27897	Seal, Oil	287	650884	Line, Fuel
80	30574	Shaft, Mechanical governor	290	30705	Clamp, Fuel line
81	30590A	Washer, Flat	292	26460	Screw, Hex washer hd. thread cutting, 1/4-15 x 7/8
82	30591	Gear, Governor (Incl. No. 81)	298	650665	Tank Assy., Fuel (Incl. Nos. 292 & 301)
83	30588A	Spool, Governor			Cap Assy., Fuel
84	29193	Ring, Retaining	300	35584	"O" Ring
86	650488	Screw, Hex hd. Sems, 1/4-20 x 1-1/4	301	35355	Clip, Oil fill
89	610961	Key, Flywheel	307	35499	Dipstick
90	611081	Flywheel (w/ring gear)	308	35539	Spacer, Flywheel key
92	650815	Washer, Belleville	310	35556	Plug, Starter
93	650863	Nut, Flywheel	313	34080	Terminal Assy.
98	30200	Screw, Hex washer hd. self-tap Sems, 10-24 x 9/16	327	35392	Wire, Ground
			329	610973	
100	34443A	Solid State Assy.	330	35285	
101	610118	Cover, Spark plug			
102	650872	Stud, Solid state mounting			
103	650814	Screw, Torx T-15 hex washer hd. Sems, 10-24 x 1			
110	35557	Ground Wire			
119	*33554A	Gasket, Cylinder head			
120	33016A	Head, Cylinder (Incl. No. 131)			
125	29313C	Valve, Exhaust (Std.) (Incl. No. 151)			

\*Indicates Parts Included in Gasket Set, Ref. No. 400.

# CRAFTSMAN 4-CYCLE ENGINE

MODEL: HS50 - 67326K

Ref. No.	Part No.	Part Name	Ref. No.	Part No.	Part Name
335	35072	Cover, Carburetor			*Indicates Parts Included in Gasket Set, Ref. No. 400.  †In original production the speed control assembly is riveted to the blower housing baffle. Replacement speed control assembly includes screws and nuts for mounting. Replacement baffle has threaded holes.
338	650257	Screw, Pan hd. Sems, 8-32 x 5/16			
340	28371B	Plate, Fuel tank mounting			
341	34182	Bracket, Fuel tank			
342	650805	Screw, Hex hd. w/belleville washer, 1/4-20 x 11/16			
342A	650675	Washer, Flat			
350	570682	Primer Assy.			
351	32180C	Line, Primer			
345	33344	Baffle, Heat			
352	35883	Extension, Baffle			
353	650884	Screw, Hex washer hd., 8-32 x 1/2			
355	590574	Handle, Starter			
380	632107A	Carburetor (Incl. No. 184)			
390	590646	Starter, Rewind			
395B		Electric Starter Kit 33290C (Optional) Sold as accessory			
400	33683B	Gasket Set (Incl. items marked*)			
420	730226	Oil, 4-Cycle SAE 5W30 (quart)			

**NOTES**

A large, empty rectangular box with a black border, intended for handwritten notes.

**SEARS**

**OWNER'S  
MANUAL**

**MODEL NO.  
536.884821**

**HOW TO ORDER  
REPAIR PARTS**

**CRAFTSMAN®**

**5 HORSEPOWER  
24" DUAL STAGE  
TRAC-PLUS  
OPTIONAL ELECTRIC  
START  
SNOW THROWER**

Each SNOW THROWER has its own MODEL NUMBER found on the motor mount frame.

Each ENGINE has its own MODEL NUMBER found on the BLOWER HOUSING.

Always mention these MODEL NUMBERS when requesting service or Repair Parts for your SNOW THROWER.

All parts listed herein may be ordered through any Sears Service Center/Department and most Sears Stores.

**WHEN ORDERING REPAIR PARTS, ALWAYS  
GIVE THE FOLLOWING INFORMATION:**

- \* PRODUCT - "SNOW THROWER"
- \* MODEL NUMBER - 536.884821
- \* ENGINE MODEL NUMBER HS50 - 67326K
- \* PART NUMBER
- \* PART DESCRIPTION

"Your Sears merchandise has added value when you consider that Sears has service units nationwide staffed with Sears trained technicians...Professional technicians specifically trained on Sears Products, having the parts, tools and equipment to insure that we meet our pledge to you...we service what we sell."

**SEARS, ROEBUCK AND CO., Chicago, IL 60684**

318533 09/04/91

Printed in U.S.A.