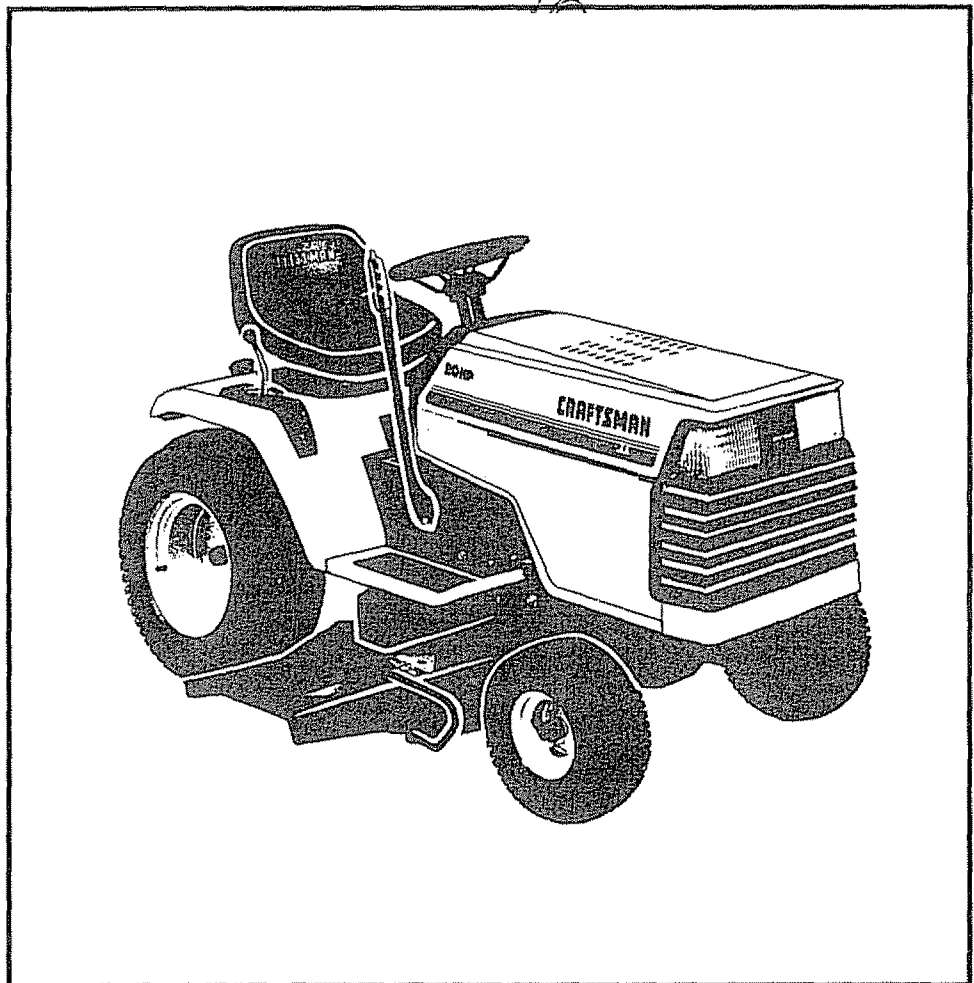


**SEARS
OWNER'S
MANUAL**

MODEL NO.
917.254460

MODEL NO.
917.250040
(without
Mower Deck)

Caution:
Read and follow
all Safety Rules
and Instructions
Before Operating
This Equipment



**CRAFTSMAN®
20.0 HP TWIN
ELECTRIC START
44" MOWER DECK
6 SPEED TRANSAXLE
GARDEN TRACTOR**

- Assembly
- Operation
- Maintenance
- Service and Adjustment
- Repair Parts



LOOK FOR THIS SYMBOL TO POINT OUT IMPORTANT SAFETY PRECAUTIONS. IT MEANS - ATTENTION! BECOME ALERT! YOUR SAFETY IS INVOLVED.

CAUTION: LOOK FOR THIS WORD TO POINT OUT IMPORTANT EQUIPMENT PRECAUTIONS.

NOTE: LOOK FOR THIS WORD TO POINT OUT IMPORTANT INFORMATION ABOUT THE OPERATION AND PERFORMANCE OF YOUR TRACTOR.



RULES FOR SAFE OPERATION

WARNING: This unit is equipped with an internal combustion engine and should not be used on or near any unimproved forest covered, brush covered or grass covered land unless the engine's exhaust system is equipped with a spark arrester meeting applicable local or area laws (if any). If a spark arrester is used, it should be maintained in effective working order by the operator. (See REPAIR PARTS for part number identification).

In the State of California the above is required by law (Section 4442 of the California Public Resources Code). Other States may have similar laws. Federal laws apply on federal lands.

1. Know the controls and how to stop quickly. READ THIS OWNER'S MANUAL and instructions furnished with attachments.
2. Do not allow children to operate the machine. Do not allow adults to operate it without proper instruction.
3. Do not carry passengers. Do not mow when children and others are around.
4. Always wear substantial footwear. Do not wear loose fitting clothing that could get caught in moving parts.
5. Keep your eyes and mind on your tractor, mower, and the area being cut. Do not let other interests distract you.
6. Do not attempt to operate your tractor or mower when not in the driver's seat.
7. Always get on or off your tractor from the operator's left hand side.
8. Clear the work area of objects (wire, rocks, etc.) which might be picked up and thrown.
9. Disengage all attachment clutches before attempting to start the engine.
10. Disengage power to attachments and stop the engine before leaving the operator's position.
11. Disengage power to mower, stop the engine, and disconnect spark plug wire(s) from spark plug(s) before cleaning, making an adjustment, or repair. Be careful to avoid touching hot muffler or engine components.
12. Disengage power to attachments when transporting or not in use.
13. Take all possible precautions when leaving the vehicle unattended. Disengage the power take-off, lower the attachments, shift into neutral, set the parking brake, stop the engine, and remove the key.
14. Do not stop or start suddenly when going uphill or downhill. Mow up and down the face of slopes (not greater than 15°), never across the face. Refer to page 55.
15. Reduce speed on slopes and make turns gradually to prevent tipping or loss of control. Exercise extreme caution when changing direction on slopes.
16. While going up or down slopes, place gear shift control lever in 1st gear position to negotiate the slope without stopping.
17. Never mow in wet or slippery grass, when traction is unsure, or at a speed which could cause a skid.
18. Stay alert for holes in the terrain and other hidden hazards. Keep away from drop-offs.
19. Do not drive too close to creeks, ditches, and public highways.
20. Exercise special care when mowing around fixed objects in order to prevent the blades from striking them. Never deliberately run tractor or mower into or over any foreign objects.
21. Never shift gears until tractor comes to a stop.
22. Never place hands or feet under the mower, in discharge chute, or near any moving parts while tractor or mower is running. Always keep clear of discharge chute.
23. Use care when pulling loads or using heavy equipment.
 - a. Use only approved drawbar hitch points.
 - b. Limit loads to those you can safely control.
 - c. Do not turn sharply. Use care when backing.
 - d. Use counterweight or wheel weights when suggested in owner's manual.
24. Watch out for traffic when crossing or near roadways.
25. When using any attachments, never direct discharge of material toward bystanders nor allow anyone near the vehicle while in operation.
26. Handle gasoline with care - it is highly flammable.
 - a. Use approved gasoline containers.
 - b. Never remove the fuel cap of the fuel tank or add gasoline to a running or hot engine or an engine that has not been allowed to cool for several minutes after running. Never fill tank indoors. Always clean up spilled gasoline.
 - c. Open doors if the engine is run in the garage - exhaust fumes are dangerous. Do not run the engine indoors.
27. Keep the vehicle and attachments in good operating condition, and keep safety devices in place and working.
28. Keep all nuts, bolts, and screws tight to be sure the equipment is in safe working condition.
29. Never store the equipment with gasoline in the tank inside a building where fumes may reach an open flame or spark. Allow the engine to cool before storing in any enclosure.
30. To reduce fire hazard, keep the engine free of grass, leaves, or excessive grease. Do not clean product while engine is running.
31. Except for adjustments, DO NOT operate engine if air cleaner or cover directly over carburetor air intake is removed. Removal of such part could create a fire hazard.
32. Do not operate without a muffler, or tamper with exhaust system. Damaged mufflers or spark arresters could create a fire hazard. Inspect periodically and replace if necessary.
33. The vehicle and attachments should be stopped and inspected for damage after striking a foreign object, and the damage should be repaired before restarting and operating the equipment.
34. Do not change the engine governor settings or overspeed the engine; severe damage or injury may result.
35. When using the vehicle with mower, proceed as follows:
 - a. Mow only in daylight or in good artificial light.
 - b. Shut the engine off when unclogging chute.
 - c. Check the blade mounting bolts for proper tightness at frequent intervals.
36. Do not operate the mower without the entire grass catcher, on mowers so equipped, or the deflector shield in place.
37. Disengage power to mower before backing up. Do not mow in reverse unless absolutely necessary and then only after careful observation of the entire area behind the mower.
38. Under normal usage the grass catcher bag material is subject to deterioration and wear. It should be checked frequently for bag replacement. Replacement bags should be checked to ensure compliance with the original manufacturer's recommendations or specifications.

CONGRATULATIONS on your purchase of a Sears Garden Tractor. It has been designed, engineered and manufactured to give you the best possible dependability and performance. Should you experience any problem you cannot easily remedy, please contact your nearest Sears Service Department. We have competent, well-trained technicians and the proper tools to service or repair this unit.

MAINTENANCE AGREEMENT

A Sears Maintenance Agreement is available on this product. See the nearest Sears store or service center for details.

CUSTOMER RESPONSIBILITIES

Read and retain this manual. Study and observe the safety rules. Always use care when using your tractor. Always keep your tractor and mower clean. Follow a regular schedule in maintaining, caring for, and using your tractor. A well cared for tractor will run better and last longer.

ATTACHMENTS

This unit can use many attachments now available at your Sears store. See pages 53-54 for a list of available attachments.

SERIAL
NUMBER _____

DATE OF PURCHASE _____

THE SERIAL NUMBER WILL BE FOUND ON THE MODEL PLATE UNDER THE SEAT.

YOU SHOULD RECORD THESE NUMBERS AND KEEP FOR FUTURE REFERENCE.

LIMITED TWO YEAR WARRANTY ON ELECTRIC START RIDING EQUIPMENT

For two years from date of purchase, when this riding equipment is maintained, lubricated, and tuned up according to the operating and maintenance instruction in the owner's manual, Sears will repair free of charge any defect in material or workmanship in this electric start riding equipment.

This warranty excludes blade(s), blade adapter(s), spark plug(s), air cleaner and belt(s), which are expendable and become worn during normal use.

This warranty does not cover:

- Tire replacement or repair caused by punctures from outside objects (such as nails, thorns, stumps, or glass); and
- repairs necessary because of operator abuse or negligence, including the failure to maintain the equipment according to instructions contained in the owner's manual; and
- riding equipment used for commercial or rental purposes.

FULL 90 DAY WARRANTY ON BATTERY

For 90 days from the date of purchase, if any battery included with this riding equipment proves defective in material or workmanship and our testing determines the battery will not hold a charge, Sears will replace the battery at no charge.

WARRANTY SERVICE IS AVAILABLE BY CONTACTING THE NEAREST SEARS SERVICE CENTER DEPARTMENT IN THE UNITED STATES. This warranty applies only while this product is in use in the United States.

This warranty gives you specific legal rights, and you may also have other rights which may vary from state to state.

SEARS, ROEBUCK and CO., D/731CR-W, Sears Tower, Chicago, IL 60684



**DO NOT OVERLOAD TRACTOR BY
TOWING WEIGHTS GREATER THAN
150 POUNDS (68 kg).**

INDEX

A		F		Tractor Operation on Hills..... 14
Adjustments:		Filter:		Options:
Brake..... 16		Air Cleaner..... 17		Spark Arrester..... 2, 32
Carburetor..... 20		Fuel..... 18		Attachments..... 53-54
Mower		Fuel:		
Front-To-Rear..... 22		Type..... 12		
Side-To-Side..... 22		Storage..... 25		
Height..... 21		Fuse..... 21		
Throttle Control Cable..... 20				
Shifter Shaft..... 25		H		
Air Cleaner..... 17		Hood Removal/Installation..... 21		
Air Screen, Engine..... 18				
Assembly..... 5-10		L		
Attachments..... 53-54		Leveling Mower Deck..... 21-22		
		Lubrication:		
		Chart..... 19		
		Tractor Pivot Points..... 18		
B		M		
Battery:		Maintenance..... 15-19		
Charging..... 7, 20		Air Cleaner..... 17		
Cleaning..... 17		Foam Pre-cleaner..... 17		
Installation..... 8		Air Screen, Engine..... 18		
Levels..... 7		Battery..... 17		
Preparation..... 7		Blade Sharpening..... 16		
Starting with Weak Battery..... 20		Brake Adjustment..... 16		
Storage..... 25		Engine Oil..... 15		
Terminals..... 17		Fuel Filter..... 18		
Belt:		Lubrication Chart..... 19		
Motion Drive		Spark Plugs..... 18		
Removal/Replacement..... 24		Tire Care..... 16, 24		
Mower Drive		Mower:		
Installation..... 10		Adjustment, Front-to-Rear..... 22		
Removal..... 22		Adjustment, Side-to-Side..... 22		
Mower Blade Drive		Height..... 21		
Removal/Replacement..... 23		Blade Sharpening..... 16		
Blade:		Blade Replacement..... 24		
Sharpening..... 16		Cutting Level..... 10		
Replacement..... 24		Installation..... 10		
Brake Adjustment..... 16		Operation..... 13		
		Removal..... 22		
C		Mowing Tips..... 14		
Carburetor Adjustment..... 20		Muffler..... 18		
Controls, Tractor..... 11		Spark Arrester..... 2,32		
Cutting Level, Mower..... 10				
		O		
		Oil:		
E		Cold Weather Conditions..... 15		
Engine:		Engine..... 15		
Air Cleaner..... 17		Storage..... 25		
Air Screen..... 18		Operation..... 11-14		
Cooling fins..... 18		Operating Your Mower..... 13		
Oil Change..... 15		Operating Your Tractor..... 13		
Oil Level..... 15		Starting the Engine..... 12		
Oil Type..... 15		Stopping Your Tractor..... 12		
Repair Parts..... 42-50				
Starting..... 12				
Storage..... 25				
		P		
		Parking Brake..... 11		
		Parts Bag..... 5-6		
		Parts, Replacement/Repair..... 29-50		
		R		
		Repair and Adjustments..... 19-25		
		Blade..... 24		
		Carburetor..... 20		
		Fuse..... 21		
		Hood Removal/Installation..... 21		
		Motion Drive Belt		
		Removal/Replacement..... 24		
		Mower Drive Belt		
		Installation..... 10		
		Removal..... 22		
		Mower Blade Drive Belt		
		Removal/Replacement..... 23		
		Mower Adjustment		
		Front- to-Rear..... 22		
		Side-to-Side..... 22		
		Height..... 21		
		Mower Removal..... 23		
		Tire Care..... 16, 24		
		Repair Parts..... 29-50		
		S		
		Safety Rules..... 2		
		Seat..... 7		
		Service Record..... 27		
		Slope Guide Sheet..... 55		
		Spark Plugs..... 18		
		Speed Control Chart..... 13		
		Starting the Engine..... 12		
		Steering Wheel..... 8		
		Stopping the Tractor..... 12		
		Storage..... 25		
		T		
		Throttle Control Cable		
		Adjustment..... 20		
		Tires..... 16, 24		
		Trouble Shooting Chart..... 26-27		
		Transaxle:		
		Repair Parts..... 40-41		
		Shifter Adjustment..... 25		
		W		
		Warranty..... 3		
		Wiring Schematic..... 28		

ASSEMBLY


To assemble and adjust your tractor you will need:

- (2) 7/16" Wrenches Ratchet wrench
- (1) 3/4" Wrench Tire Pressure Gauge
- (1) 9/16" Wrench Screwdriver
- (1) 1/2" Wrench Utility Knife
- (1) 3/4" Socket (2) 11/16" wrench

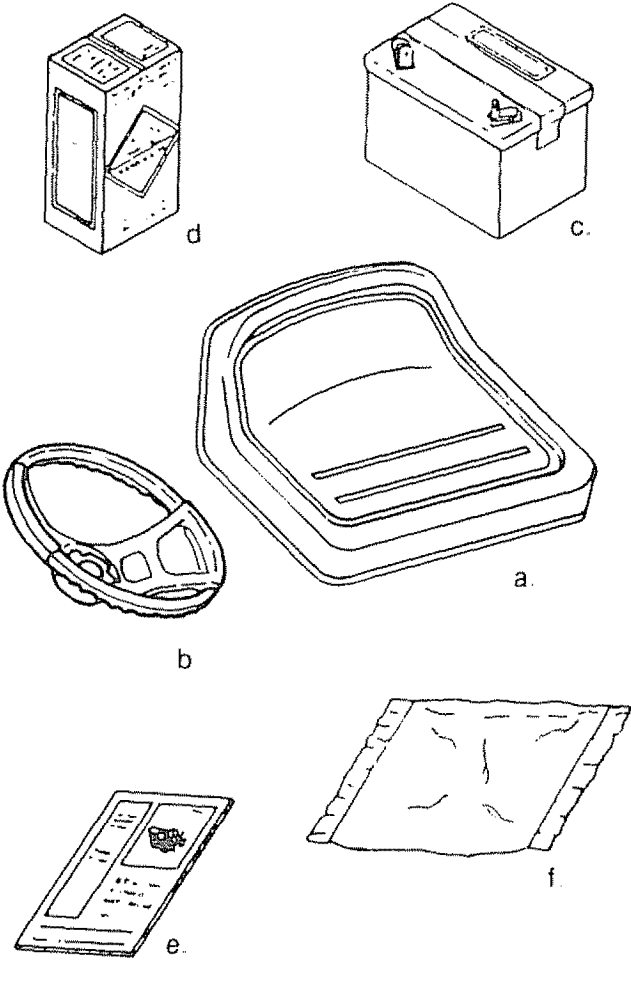
NOTE: RIGHT HAND (R.H.) AND LEFT HAND (L.H.) ARE DETERMINED FROM OPERATOR'S POSITION WHILE SEATED ON THE TRACTOR.

UNPACKING INSTRUCTIONS

1. Remove box from carton. The box contains the items shown below.
2. Cut down four corners of the carton with a utility knife and fold down sides.
3. Remove mower deck from skid.
4. Disengage Parking Brake
5. Carefully guide the tractor backwards off the skid




The operation of any tractor can result in foreign objects thrown into the eyes, which can result in severe eye damage. Always wear safety glasses or eye shields before starting your tractor or while mowing. We recommend Wide Vision Safety Mask for over the spectacles or standard safety glasses, available at Sears Retail or Catalog Stores.

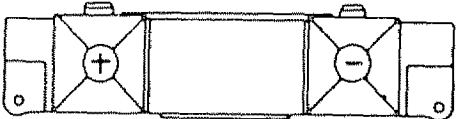


<p>a. Seal</p> <p>b. Steering Wheel</p> <p>c. Battery</p>	<p>d. Battery Acid</p> <p>e. Owner's Manual</p> <p>f. Parts Bag</p>
---	---


Parts Bag Contents Not Shown Full Size



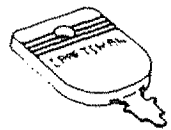
(2) Battery Carriage Bolts - 1/4 - 20 x 7 1/2



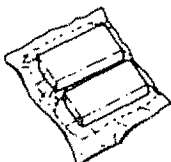
Terminal Guard



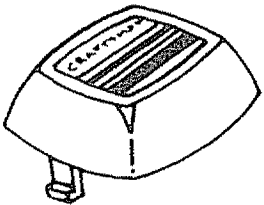
15° Slope Instruction Sheet



(2) Keys






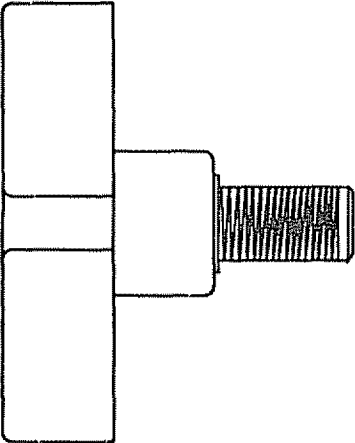
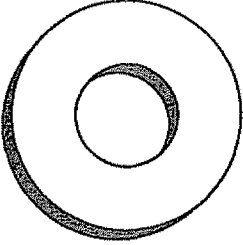
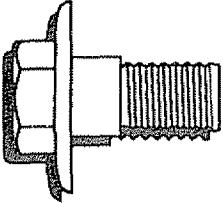


(6) Battery Caps



Steering Wheel Insert

ASSEMBLY

ASSEMBLY LOCATION	PARTS BAG CONTENTS SHOWN FULL SIZE
BATTERY	 <p>(2) Wing Nut, 1/4 - 20</p>
BATTERY TERMINALS	    <p>(2) Hex Bolt, 1/4 - 20 x 3/4</p> <p>(2) Lockwasher, 1/4</p> <p>(2) Washer, 9/32 x 5/8 x 16 Ga</p> <p>(2) Hex Nut, 1/4 - 20</p>
SEAT	   <p>(1) Adjustment Knob 1/2</p> <p>(1) Washer 17/32 x 1 3/16 x 12 Ga</p> <p>(1) Shoulder Bolt 5/16 - 18</p>



**WEAR EYE AND FACE SHIELD.
WASH HANDS OR CLOTHING IMMEDIATELY IF ACCIDENTALLY IN CONTACT WITH BATTERY ACID.
DO NOT SMOKE, FUMES FROM CHARGED BATTERY ACID ARE EXPLOSIVE.**

NOTE: THIS TRACTOR IS EQUIPPED WITH AN OPERATOR PRESENCE SENSING SWITCH. ANY ATTEMPT BY THE OPERATOR TO LEAVE THE SEAT WITH THE ENGINE RUNNING AND ATTACHMENT CLUTCH ENGAGED WILL SHUT OFF THE ENGINE.

1. Prepare Battery

READ INSTRUCTIONS INCLUDED WITH THE BATTERY VENT CAPS FOUND IN BAG OF PARTS. ALWAYS WEAR GLOVES, CLOTHING AND GOGGLES TO PROTECT YOUR HANDS, SKIN AND EYES.

- a. Fill and charge battery (before installing). NOTE: SEE DETAILED INSTRUCTIONS PACKAGED WITH BATTERY VENT CAPS IN BAG OF PARTS.

NOTE: OVERCHARGING WILL SHORTEN BATTERY LIFE.

- b. Fill battery with battery acid to bottoms of tubes in cells (Fig 1). DO NOT OVERFILL. OVERFILLING WILL RESULT IN DAMAGE TO TRACTOR.
- c. Check level of battery acid after 30 minutes. Add additional battery acid if necessary. NOTE: PRESS VENT CAPS INTO BATTERY UNTIL FASTENED SECURELY.

NOTE: OBSERVE SAFETY PRECAUTIONS, LISTED IN BOX ABOVE, REQUIRED FOR BATTERY CHARGING.

- d. Charge battery at a rate of six amperes for one hour.
- e. Neutralize excess battery acid (from filling battery) for disposal by adding it to 7.4 litres (2 gallons) of water in a 19 litres (5 gallon) plastic container. Stir with a wooden or plastic paddle while adding baking soda until the addition of more soda causes no more foaming.

2. Install Seat

Seat position should be adjusted forward or backward so that the operator can comfortably reach Clutch/Brake Pedal and safely operate the tractor (Fig. 14).

- a. Remove cardboard from seat pan.
- b. Place seat on seat pan. Screw adjustment knob and flat washer into seat (Fig. 2) Screw shoulder bolt into seat (Fig. 2). Adjustment knob, shoulder bolt and washer found in bag of parts.

CUT AWAY VIEW

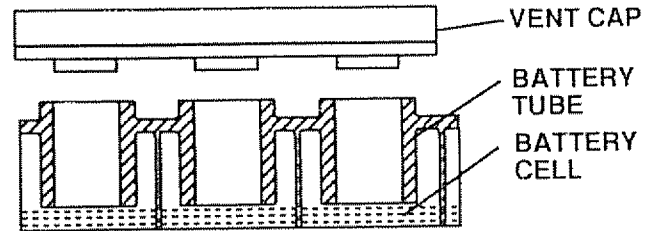


FIGURE 1

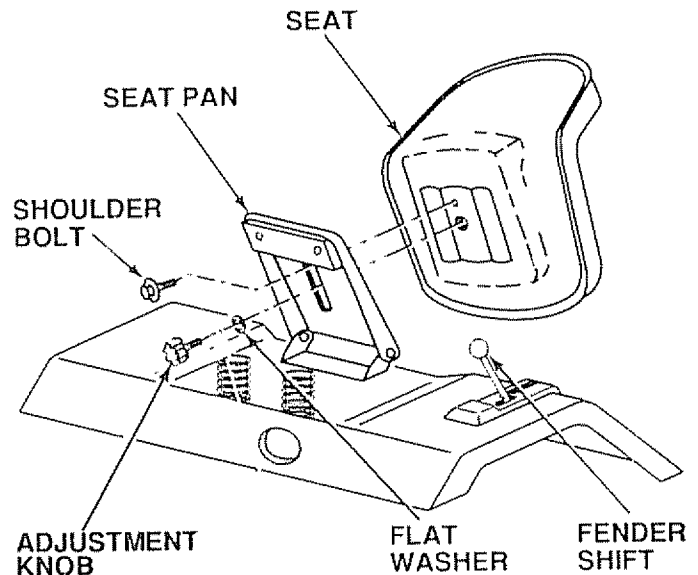


FIGURE 2



THE ADJUSTMENT BOLT AND FLAT WASHER MUST BE TIGHTENED SECURELY TO PREVENT MOVEMENT OF SEAT.

- c. Tighten shoulder bolt using a 1/2" wrench. NOTE: THE SHOULDER BOLT WILL BE LOOSE IN THE SEAT PAN SLOT.
- d. Tighten adjustment knob finger tight.
- e. Place seat in operating position. Sit on the seat and press clutch/brake pedal all the way down. If operating position is not comfortable, adjust seat.
- f. To adjust: raise seat. Loosen adjustment knob. Slide seat to desired position. Tighten adjustment knob securely.

ASSEMBLY

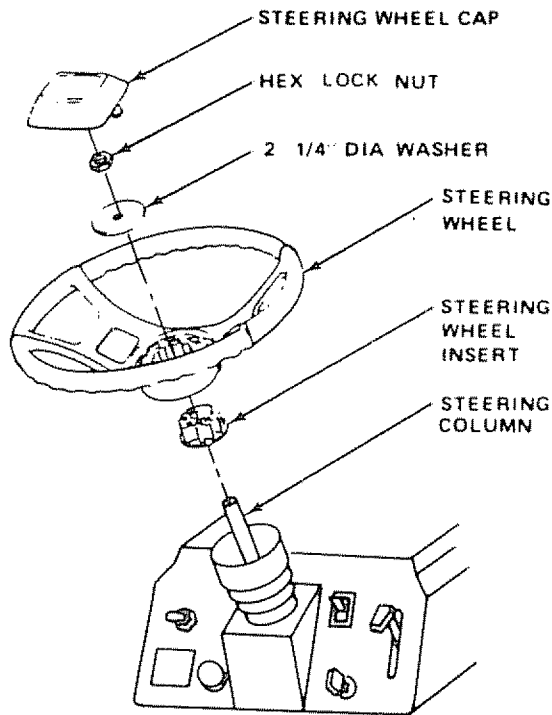
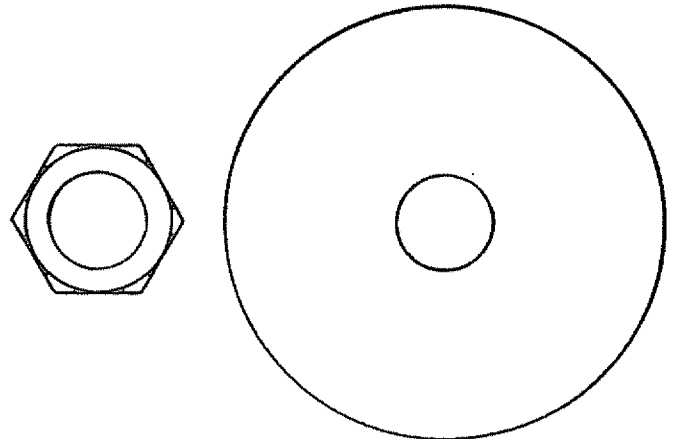


FIGURE 3

3. Install Steering Wheel

NOTE POSITION FRONT WHEEL FORWARD.

a Use a 3/4" wrench to remove lock nut, and 2 - 1/4" diameter washer (shown full size below) from steering column (Fig 3)



- b. Position steering wheel over steering wheel insert (Fig. 3). BARS OF STEERING WHEEL SHOULD POINT STRAIGHT ACROSS TRACTOR.
- c. Secure steering wheel to steering column using 2 1/4" diameter washer and lock nut (Fig 3) Torque to 68 N-m (50 Ft. Lbs.)
- d. Snap steering wheel cap in place on steering wheel. Steering wheel cap found in bag of parts

4. Check Tires

Reduce tire pressure to 1 Kg/cm² (14 PSI) in front tires and 0.71 Kg/cm² (10 PSI) in rear tires. (Tires were overinflated for shipping purposes.)

5. Install Battery

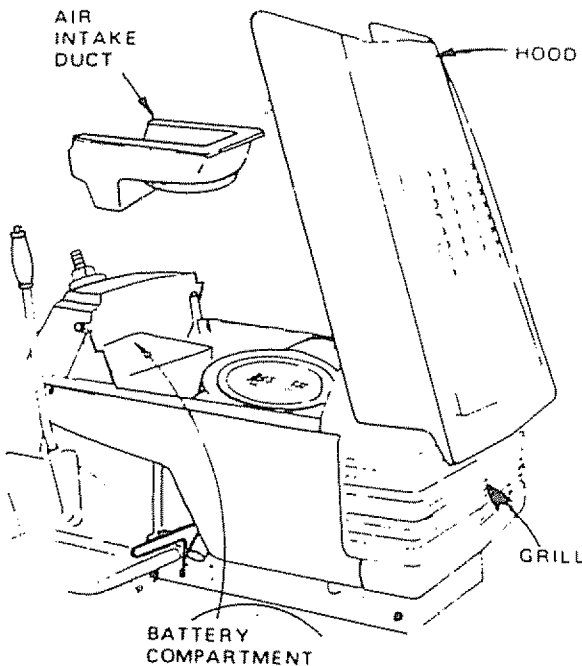


FIGURE 4

DO NOT SHORT BATTERY TERMINALS

BEFORE INSTALLING BATTERY, REMOVE METAL BRACLETS, WRISTWATCH BANDS, RINGS, ETC.

IF BATTERY IS REMOVED, DO NOT OPERATE ENGINE. SPARKING MAY OCCUR.

- a Lift hood from rear sides (Fig 4)
- b Make sure drain tube (Fig 5) is fastened to drain hole in battery tray and battery tray is positioned in hole of battery support.
- c Place battery in plastic tray (battery terminals to front of tractor) (Fig 5)

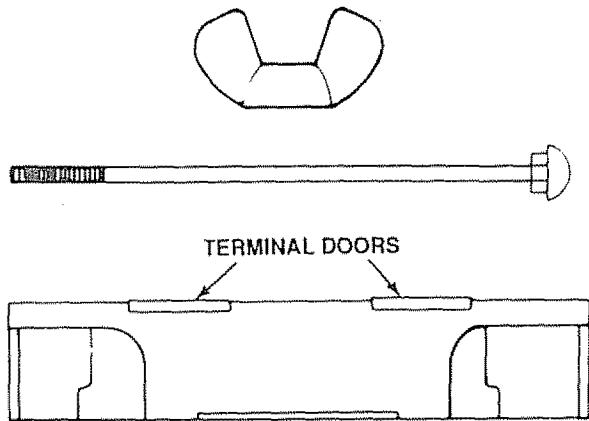
POSITIVE TERMINAL MUST BE CONNECTED FIRST TO PREVENT SPARKS FROM ACCIDENTAL GROUNDING.

- e. Connect RED battery cable to positive (+) battery terminal with hex bolt, flat washer, lockwasher and hex nut (shown full size below) found in bag of parts (Fig. 5). Tighten securely.
- f. Connect BLACK ground cable to negative (-) battery terminal with remaining hex bolt, flat washer, lockwasher and hex nut (shown full size below) found in bag of parts (Fig. 5). Tighten securely.



NOTE: IF YOU HAVE A WEAK BATTERY, SEE "STARTING YOUR TRACTOR WITH A WEAK BATTERY" (PAGE 20)

- g. Using the square hole on one side of the battery support (Fig. 6) insert one battery bolt, head of bolt down. Fasten the battery bolt to the terminal guard using wing nut as shown (Fig. 6). Bolts, nuts, and terminal guard, shown below, are found in bag of parts.
- h. Assemble the remaining battery bolt to other side of battery support and fasten terminal guard to it with remaining wing nut. Tighten both wing nuts securely (by hand)) at the same time (Fig. 6).



- i. Replace air intake duct (Fig. 4). Make sure bottom lip of duct sits between battery and lip of battery tray.
- j. Remove plastic from tractor hood and close.

NOTE: USE TERMINAL ACCESS DOORS (FIG 6) FOR:

- 1 INSPECTION FOR SECURE CONNECTIONS (TIGHTEN HARDWARE)
- 2 INSPECTION FOR CORROSION
- 3 TESTING BATTERY
- 4 JUMPING (IF REQUIRED)
- 5 CHARGING (IF REQUIRED)

KEEP TERMINAL ACCESS DOORS CLOSED WHEN NOT IN USE



DO NOT START ENGINE UNTIL MOWER SUSPENSION BRACKET HAS BEEN RELEASED. SEE MOWER AND DRIVE BELT INSTALLATION, PAGE 10.

ASSEMBLY

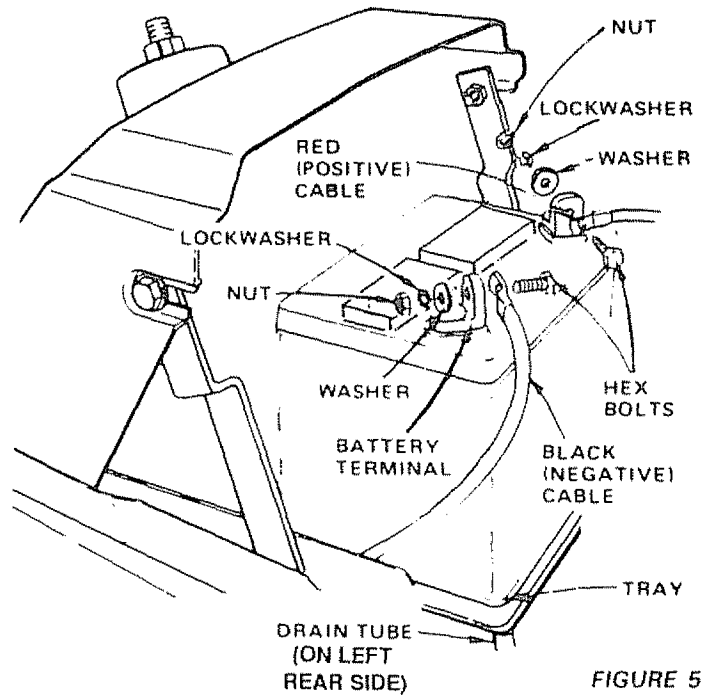


FIGURE 5

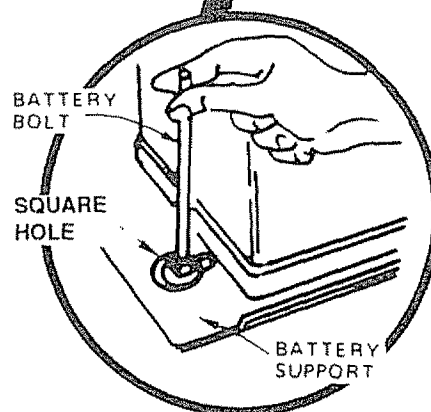
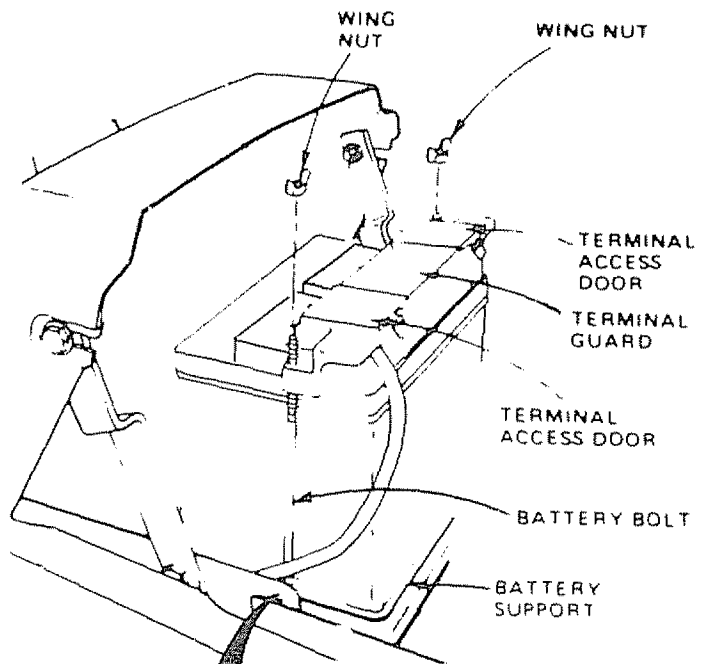


FIGURE 6

ASSEMBLY

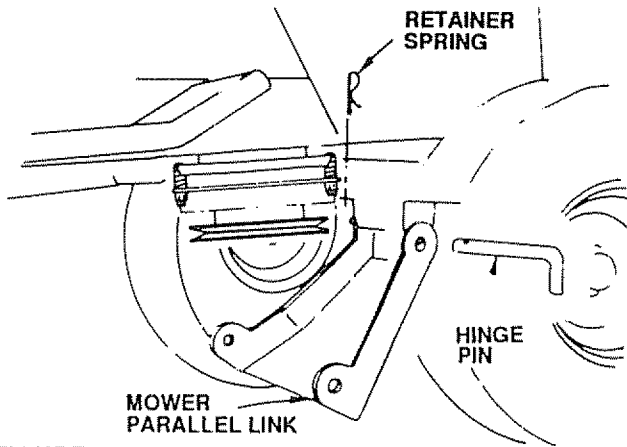


FIGURE 7

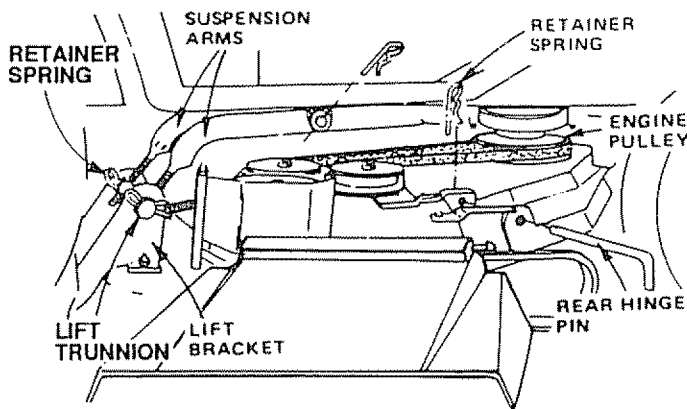


FIGURE 8

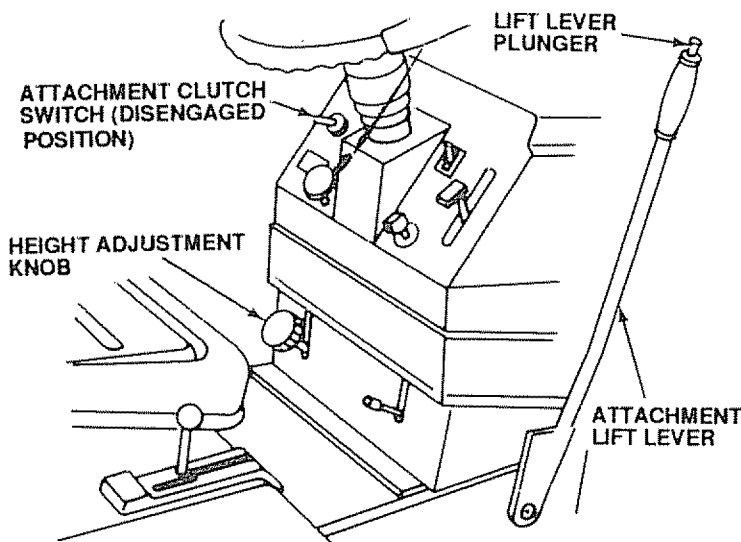


FIGURE 9

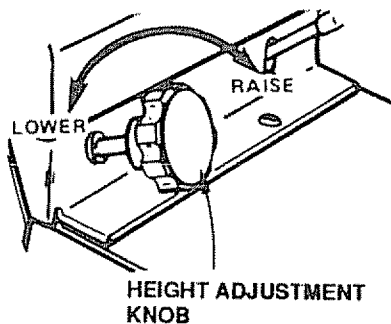


FIGURE 10

6. Mower and Drive Belt Installation

INSTALL MOWER PARALLEL LINK

Your tractor has been shipped with the mower parallel link included in the parts carton. Install mower parallel link on tractor (Fig. 7) using hinge pin and retainer spring.

NOTE: SMALLER END OF PARALLEL LINK MOUNTS TO TRACTOR. USE THE SHORTEST HINGE PIN FOR MOUNTING.

INSTALL MOWER

Your mower installs without the use of tools.

- Raise attachment lift lever (Fig. 9) to its highest position.
- Turn height adjustment knob counterclockwise (↺) to lowest position (Fig. 10)
- Slide mower under tractor with discharge guard to R.H. side.
- Install rear hinge pin through mower lift brackets and parallel link (Fig. 8). Secure with retainer spring
- Move attachment lift lever (Fig. 9) forward to lower suspension arms. Remove retainer springs from lift trunnions (Fig. 8).
- Slide trunnions through upper lift bracket holes and secure with retainer springs (Fig. 8).
- Pull L.H. idler pulley (Fig. 12) toward the right hand side of the tractor and roll belt over engine pulley (Fig. 8).

NOTE: MOWER DRIVE BELT INSTALLATION DECAL LOCATED ON MOWER HOUSING.

- Use attachment lift lever (Fig. 9) to raise mower.
- Turn height adjustment knob clockwise (↻) to the middle of its travel (Fig. 10).

7. Check Cutting Level

The blade housing was set at the factory to cut level. After mowing a short distance, look at the area that was cut. If the blade housing cuts uneven, see "MOWER ADJUSTMENT," page 21

8. Final Assembly

- Make sure all fasteners are tight.
- Read and follow the operation instructions (page 11). Know the location and purpose of all controls.
- Check oil and gasoline (page 12) before starting the tractor.

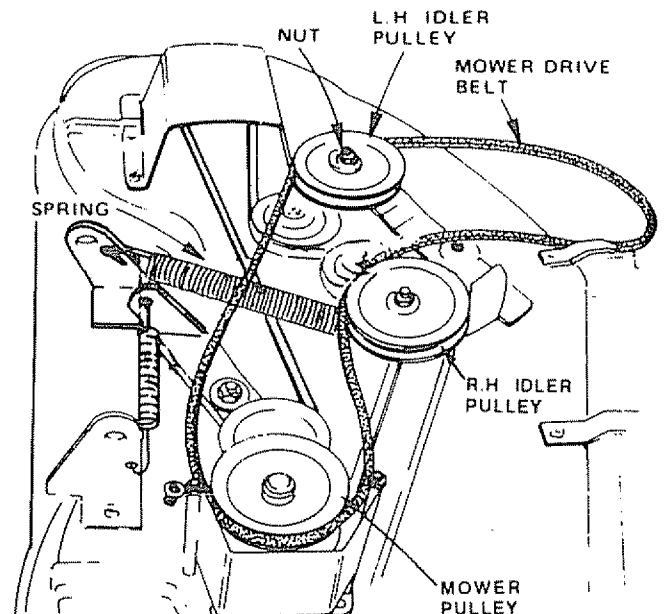
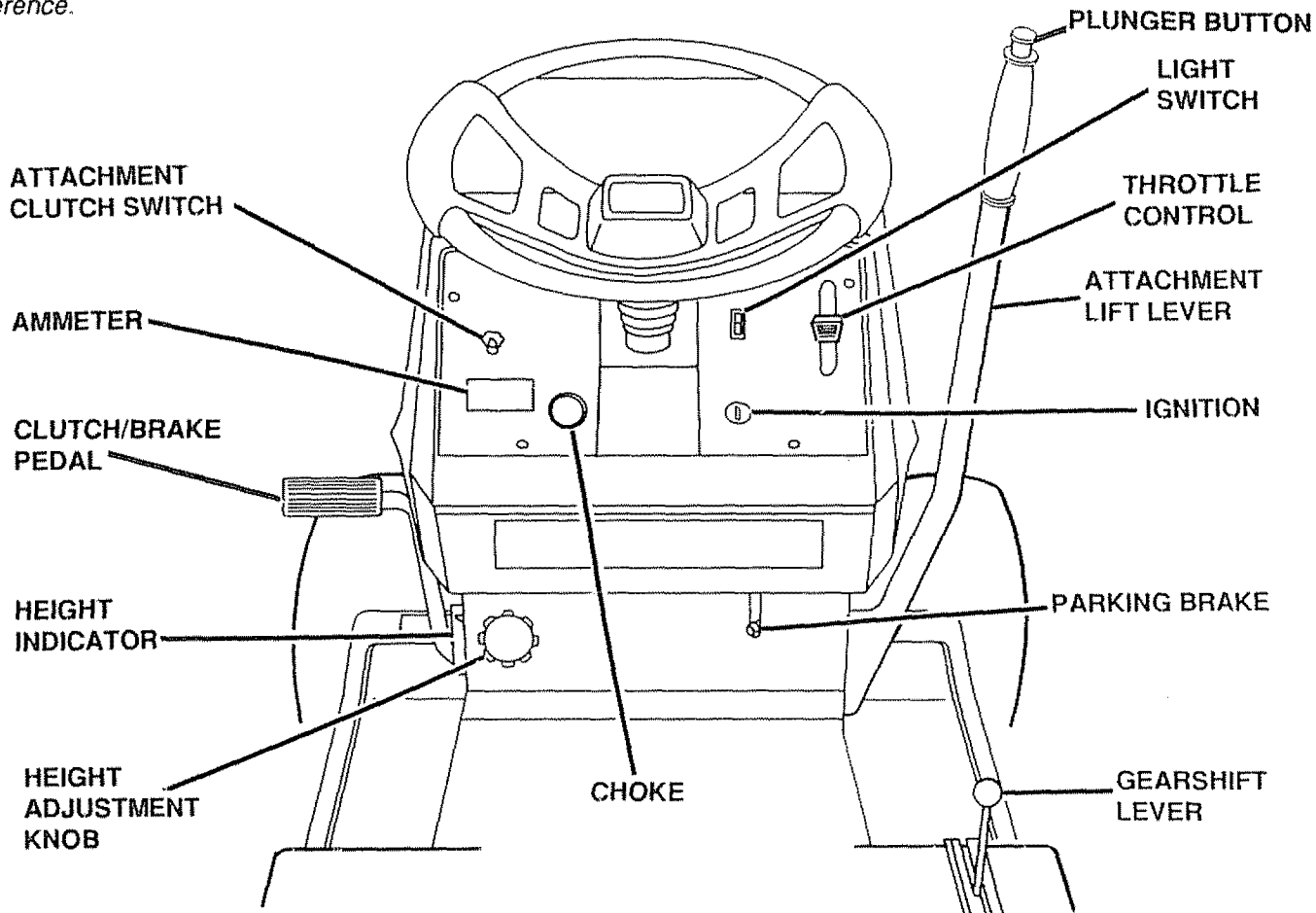


FIGURE 11

OPERATION

READ THIS OWNER'S MANUAL BEFORE OPERATING YOUR GARDEN TRACTOR. If you understand the unit and its operation, you will achieve efficient and peak performance. While reading the manual, compare the illustrations with your Garden Tractor to familiarize yourself with the location of the various controls and adjustments. Study the operating instructions and safety precautions thoroughly to insure proper functioning of your Garden Tractor and to prevent injury to yourself and others. Be sure to pay strict attention to all warnings and cautions; they are included for your safety. Save this manual for future reference.



AMMETER: Each time you start your tractor, check your ammeter. The needle should move toward the (+) charging mark indicating the battery is being charged as you operate your tractor. The headlights will not show a discharge on the ammeter because they are not connected to the battery. (They have their own electrical source.)

ATTACHMENT CLUTCH SWITCH: Pull switch out and up to engage attachment. There will be an engine hesitation as the clutch engages.

ATTACHMENT LIFT LEVER: Use the attachment lift lever to raise and lower the attachment mounted to your tractor. Move the lift lever forward to lower attachment.

CLUTCH/BRAKE PEDAL: The pedal has 2 functions; a clutch and a brake. To engage the brake push the pedal completely down.

HEIGHT ADJUSTMENT KNOB: Use the height adjustment knob to adjust the mower height. With the attachment lift lever in the "up" position, turn knob clockwise (↻) to raise cutting height and counter-clockwise (↻) to lower mower cutting height. Lower attachment lift lever.

HEIGHT INDICATOR: Indicates height setting of mower deck. Controlled by height adjustment knob.

GEARSHIFT: Press the clutch/brake pedal down firmly and move gearshift lever to desired speed.

IGNITION: Place key in ignition and turn to the right to start.

LIGHT SWITCH: Turns the headlights on and off.

PARKING BRAKE: To set the parking brake, push the clutch/brake pedal completely down. Hold the parking brake lever in "Engaged" position and release pressure from pedal. Clutch/brake pedal will remain in brake position. To release, push pedal in.

THROTTLE CONTROL: Use the throttle control to increase or decrease the speed of the engine.

CHOKE: To start a cold engine, pull choke out to engage.

OPERATION

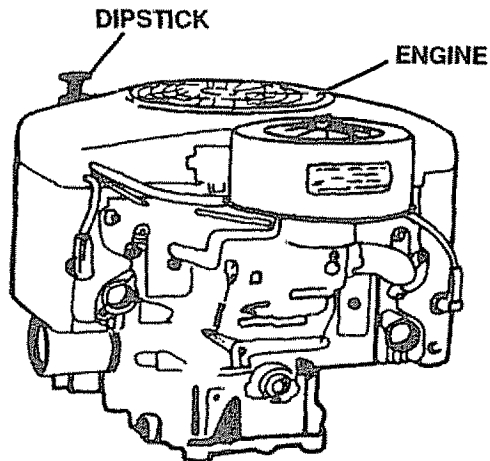


FIGURE 12

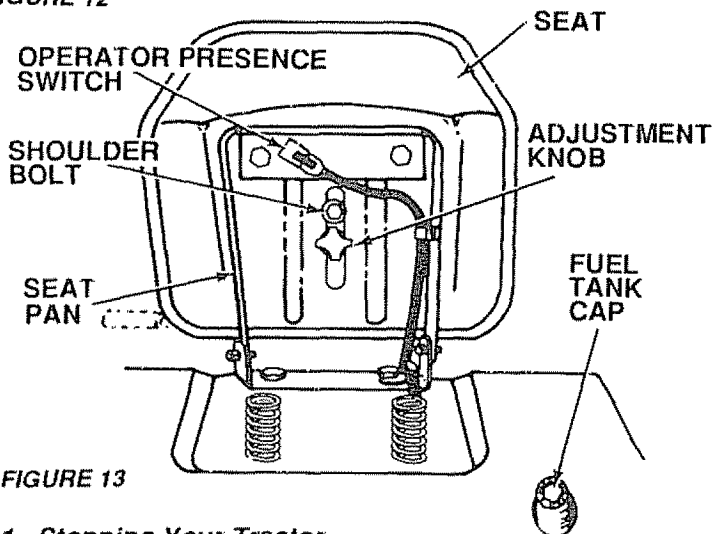


FIGURE 13

1. Stopping Your Tractor



KNOW HOW TO STOP YOUR TRACTOR BEFORE YOU ATTEMPT TO START THE ENGINE.

NOTE: REMOVE KEY WHEN LEAVING TRACTOR TO PREVENT UNAUTHORIZED USE:

- a. Push clutch/brake pedal into full "BRAKE" position (Fig 14).
- b. Move gear shift lever to "NEUTRAL" position (Fig. 15).
- c. Place parking brake in "ENGAGED" position and release pressure from clutch/brake. Pedal should remain in "BRAKE" position (Fig. 14).

NOTE: MAKE SURE PARKING BRAKE WILL HOLD TRACTOR SECURE.

- d. Place attachment clutch switch in "DISENGAGED" position (Fig. 15).
- e. Move throttle control to "S" (slow) position (Fig. 15).
- f. Turn ignition key to "OFF" position (Fig. 15)

NOTE: NEVER USE CHOKE TO STOP ENGINE.

2. Starting the Engine



LEARN TO START, STOP AND REVERSE YOUR TRACTOR IN A LARGE, OPEN AREA.



THIS TRACTOR IS EQUIPPED WITH INTERLOCK SWITCHES TO PREVENT STARTING OF THE TRACTOR ENGINE WHILE THE ATTACHMENT CLUTCH SWITCH IS IN THE "ENGAGED" POSITION AND/OR THE FOOT PEDAL IS NOT FULLY DEPRESSED. IMMEDIATELY REPLACE SWITCHES THAT ARE NOT IN PROPER WORKING ORDER. DO NOT ATTEMPT TO DEFEAT THE PURPOSE OF THESE SWITCHES.

- a. This engine has been shipped filled with summer weight oil (For cold weather operation see chart page 15). Check engine oil level See page 15
- b. Fill fuel tank (Fig 13) Use fresh, clean, regular unleaded gasoline. (Use of leaded gasoline will increase carbon and lead oxide deposits and reduce valve life.) Capacity is 13 litres (3-1/2 gallons)

NOTE: FRESH, CLEAN WINTER GRADE FUEL MUST BE USED TO INSURE GOOD COLD WEATHER STARTING

CAUTION: EXPERIENCE INDICATES THAT ALCOHOL BLENDED FUELS (CALLED GASOHOL OR USING ETHANOL OR METHANOL) CAN ATTRACT MOISTURE WHICH LEADS TO SEPARATION AND FORMATION OF ACIDS DURING STORAGE. ACIDIC GAS CAN DAMAGE THE FUEL SYSTEM OF ANY ENGINE WHILE IN STORAGE.

TO AVOID ENGINE PROBLEMS, THE FUEL SYSTEM SHOULD BE EMPTIED BEFORE STORAGE FOR 30 DAYS OR LONGER. DRAIN THE GAS TANK, START THE ENGINE AND LET IT RUN UNTIL THE FUEL LINES AND CARBURETOR ARE EMPTY USE FRESH FUEL NEXT SEASON. SEE STORAGE INSTRUCTIONS FOR ADDITIONAL INFORMATION.

NEVER USE ENGINE OR CARBURETOR CLEANER PRODUCTS IN THE FUEL TANK OR PERMANENT DAMAGE MAY OCCUR.



FILL TO BOTTOM OF GAS TANK FILLER NECK. DO NOT OVERFILL WIPE OFF ANY SPILLED OIL OR FUEL DO NOT STORE, SPILL OR USE GASOLINE NEAR AN OPEN FLAME

- c. Place attachment clutch switch in "disengaged" position (Fig 15)
 - d. Push clutch/brake pedal fully into brake position
 - e. Place gear shift lever in "NEUTRAL" position (Fig 15)
 - f. Pull choke out (Fig 15)
 - g. Move throttle control to middle position (Fig 15)
 - h. Turn ignition key clockwise (↻) to "START" position and release key as soon as engine starts
- NOTE: DO NOT RUN STARTER CONTINUOUSLY FOR MORE THAN FIFTEEN SECONDS PER MINUTE. If engine does not start after several attempts, move throttle control to "F" (fast) position, wait a few minutes and try again.

NOTE: IF YOU HAVE A WEAK BATTERY. SEE "STARTING YOUR TRACTOR WITH A WEAK BATTERY" (PAGE 20)

- i. After engine is warm, push choke in. The first time you start the engine, it will take extra cranking time to move fuel from tank to the engine.

OPERATION

NOTE: ALLOW ENGINE TO WARM UP FOR A FEW MINUTES BEFORE ENGAGING CLUTCH OF TRACTOR OR ATTACHMENT

- j) When restarting a warm engine, move throttle control midway between "S" (slow) and "F" (fast) positions. Choke may not have to be used.

IMPORTANT: BEFORE DRIVING THE TRACTOR, INSTALL MOWER OR REMOVE MOWER PARALLEL LINK

FUNCTION	GEARSHIFT	THROTTLE
Normal Mowing	2 OR 3	FAST MID THROTTLE SLOW-FAST
Heavy Mowing	1 OR 2	
Snow Removal	1	
Tilling Plowing	1	
Dozing	1	
Grading	2	
Transport	3-6	

TABLE 1

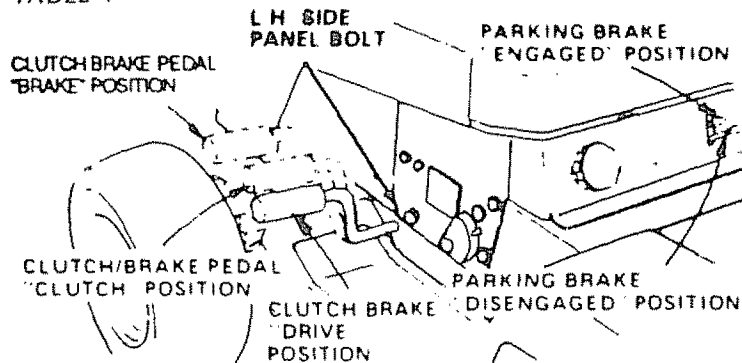


FIGURE 14



READ THE "RULES FOR SAFE OPERATION" CAREFULLY BEFORE OPERATING YOUR MOWER.

THE MOWER MUST BE ADJUSTED PROPERLY FROM FRONT TO REAR AND LEVELED FROM SIDE TO SIDE BEFORE OPERATING. THIS IS NECESSARY FOR LEVEL AND EFFICIENT MOWING. REFER TO PAGE 21.

CAUTION. DO NOT ADD ADDITIONAL WEIGHT TO THE TRACTOR OTHER THAN THE OPTIONAL WHEEL WEIGHTS. EXCESSIVE WEIGHT MAY OVERLOAD AND DAMAGE THE TRANSMISSION.



DO NOT OVERLOAD TRACTOR BY TOWING WEIGHTS GREATER THAN 150 POUNDS (68 kg).

3. Operating Your Tractor and Mower

NOTE: THIS TRACTOR IS EQUIPPED WITH AN OPERATOR PRESENCE SENSING SWITCH. ANY ATTEMPT BY THE OPERATOR TO LEAVE THE SEAT WITH THE ENGINE RUNNING AND THE ATTACHMENT CLUTCH SWITCH ENGAGED WILL SHUT OFF THE ENGINE.

CAUTION

TO AVOID INJURY

- 1 Read owner's manual
- 2 Know the location and function of all controls
- 3 Keep guards, safety shields and switches in place and working
- 4 Remove objects that can be thrown by blades
- 5 Do not mow when children and others are around
- 6 Never carry children or passengers
- 7 Always look behind machine before backing
- 8 Do not mow where machine can tip or slip
- 9 If machine stops going uphill, stop blade and back slowly down
- 10 Be sure blades and engine have stopped before placing hands or feet near the blades
- 11 Remove key when leaving machine

MAKE SURE PARKING BRAKE WILL HOLD TRACTOR SECURE.



NEVER PLACE YOUR HANDS OR FEET IN OR UNDER ANY POWERED ATTACHMENT OR NEAR ANY MOVING PART WHILE TRACTOR OR ANY POWERED ATTACHMENT IS RUNNING.

NOTE: ALWAYS OPERATE ENGINE AT FULL THROTTLE WHEN MOWING TO ASSURE BETTER MOWING PERFORMANCE AND PROPER DISCHARGE OF CUT MATERIAL. REGULATE GROUND SPEED BY SELECTING A LOW ENOUGH GEAR (TABLE 1) TO GIVE THE MOWER CUTTING PERFORMANCE PLUS QUALITY OF CUT DESIRED.



DO NOT OPERATE THE MOWER WITHOUT EITHER THE ENTIRE GRASS CATCHER, ON MOWERS SO EQUIPPED, OR THE DEFLECTOR SHIELD IN PLACE.

- a Select desired height of cut position using height adjustment knob (Fig 15)
- b Raise lift lever and place attachment clutch switch in disengaged position
- c Push clutch/brake pedal down firmly (Fig 14)
- d Start engine (page 12)
- e With engine running and warm place throttle control midway between "S" (slow) and "F" (fast) position
- f Engage mower with the attachment clutch switch
- g Move gear shift lever to desired gear
- h Lower mower into cutting position using attachment lift lever.
- i Release clutch/brake pedal to start movement (Fig 14)
- j Move throttle control to "F" (Fast) position.

NOTE: SELECT A GROUND SPEED THAT WILL SUIT THE TERRAIN, QUALITY OF CUT AND ATTACHMENT BEING USED (TABLE 1).

OPERATION

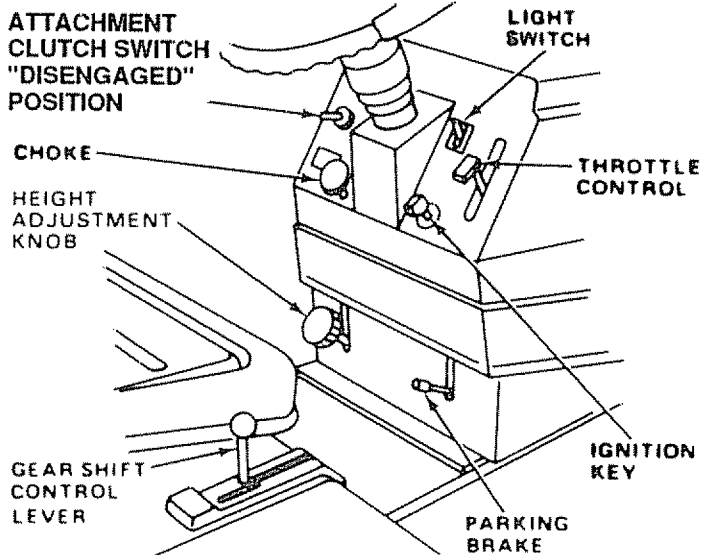


FIGURE 15

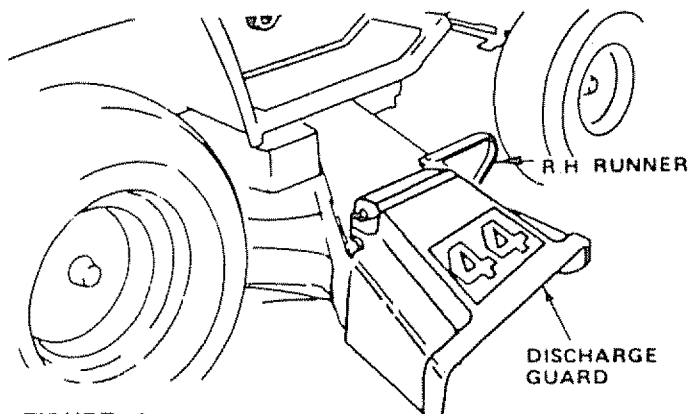


FIGURE 16

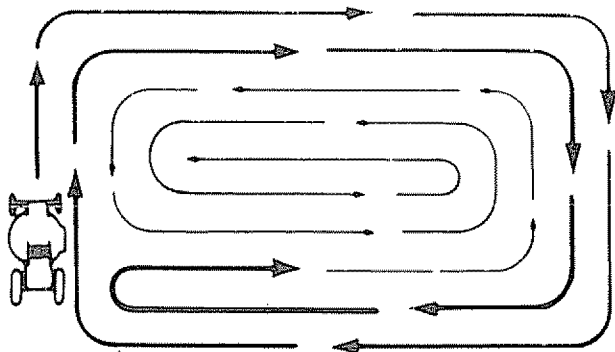


FIGURE 17

4 Mowing Tips

NOTE: TIRE CHAINS CANNOT BE USED WITH THE MOWER HOUSING ATTACHED.



READ THE "SAFETY RULES" CAREFULLY BEFORE OPERATING YOUR MOWER. REFER TO PAGE 2.

- a Use the runner on the R.H. side as a guide; the blade cuts approximately 2.54 cm (1 inch) outside the runner (Fig. 16).

- b Drive so that clippings are discharged onto the area that has been cut. Have the cut area to the right of the machine. This will result in a more even distribution of clippings and more uniform cutting.
- c When mowing large areas (Fig. 17), start by turning to the right so that the clippings will discharge away from shrubs, fences, driveways, etc. After one or two rounds, mow in the opposite direction making left hand turns until finished.
- d If grass is extremely tall, it should be mowed twice. The first time cut relatively high, the second time to the desired height.
- e The left hand side of mower should be used for trimming.
- f Do not mow tall, dry grass over 15.25 cm (6 inches) tall. It is a fire hazard.

5 Operating The Tractor On Hills



DO NOT DRIVE UP OR DOWN HILLS WITH SLOPES GREATER THAN 15° AND DO NOT DRIVE ACROSS ANY SLOPE. REFER TO PAGE 55.

- a Move gear shift lever to "1ST" gear before starting up or down hills.
- b AVOID STOPPING OR SHIFTING ON HILLS.
- c If slowing is necessary, move throttle control lever to slower position.



LEAVE ENOUGH ROOM WHEN STOPPING AND STARTING TO ALLOW SLIGHT TRACTOR ROLL DOWNHILL AS CLUTCH/BRAKE PEDAL MOVES THROUGH CLUTCH POSITION.

- d If stopping is absolutely necessary, push clutch/brake pedal quickly to brake position and engage parking brake.
- e To restart tractor movement, make sure tractor is in the lowest speed range ("1ST" Gear) and that you have allowed room to roll slightly downhill. Depress clutch/brake full. Disengage parking brake and release clutch/brake pedal SLOWLY to start tractor movement.
- f Make all turns gradually.

6 Flip-Up Discharge Guard

Your mower has a flip-up discharge guard (Fig. 16) for door or gate clearance when held in raised position.



MAKE SURE ATTACHMENT CLUTCH SWITCH IS IN "DISENGAGED" POSITION AND BLADES HAVE STOPPED BEFORE RAISING DISCHARGE GUARD (DEFLECTOR). NEVER OPERATE MOWER WITHOUT DISCHARGE GUARD IN OPERATING POSITION.

MAINTENANCE

To keep your tractor running better, longer, perform necessary service using the following maintenance schedule:

BEFORE MAKING ANY INSPECTION ADJUSTMENT OR REPAIR:

- 1 PUSH TRACTOR CLUTCH BRAKE PEDAL COMPLETELY INTO BRAKE POSITION
- 2 MOVE GEAR SHIFT LEVER TO "NEUTRAL" POSITION.
- 3 PLACE PARKING BRAKE IN ENGAGED POSITION REMOVE FOOT FROM PEDAL
- 4 PLACE ATTACHMENT CLUTCH SWITCH IN DISENGAGED POSITION
- 5 TURN IGNITION KEY TO OFF POSITION
- 6 MAKE ABSOLUTELY SURE THE BLADES AND ALL MOVING PARTS HAVE COMPLETELY STOPPED
- 7 REMOVE THE IGNITION KEY
- 8 DISCONNECT THE SPARK PLUG WIRES FROM THE SPARK PLUGS AND KEEP AWAY FROM THE SPARK PLUGS TO PREVENT INJURY FROM ACCIDENTAL STARTING. BE CAREFUL TOO AVOID TOUCHING HOT ENGINE OR MUFFLER COMPONENTS

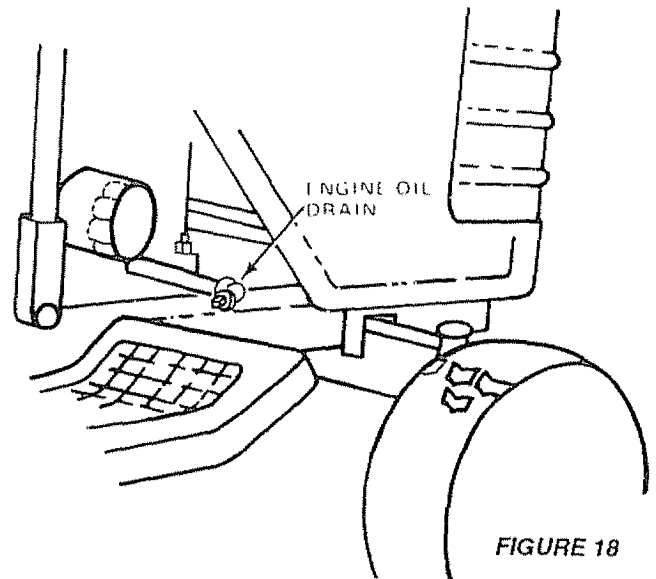


FIGURE 18

With Every Mowing

1. Make sure all nuts on bolts are tight and cotter pins and retainer springs are secure.
2. Observe all safety precautions.
3. Keep tractor well lubricated (refer to page 19).

First 2 Hours (Two Mowings)

1. Change Engine Oil

Changing oil after the first two hours (or two mowings) will help eliminate break-in residue which might be damaging to your engine.

NOTE: BE CAREFUL NOT TO ALLOW DIRT TO ENTER THE ENGINE WHEN CHANGING OIL.

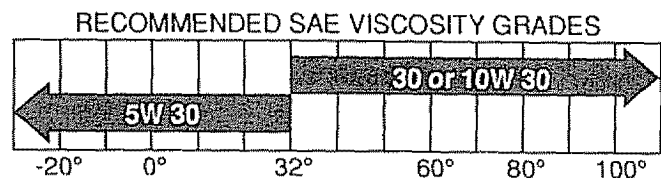
- a. Drain oil with engine warm.
- b. Loosen oil drain plug (Fig. 18) and remove dipstick (Fig. 19).
- c. Catch oil in a suitable container.
- d. Tighten oil drain plug.
- e. Refill engine oil (see chart at right). Refill capacity without oil filter change is 3-1/2 pints (1.7 litres). With oil filter change (page 18), capacity is 4 pints (1.9 litres).

NOTE: DO NOT OVERFILL.

- f. Replace dipstick (Fig. 19) then remove dipstick and read oil level. Make sure oil level is at the "FULL" mark on dipstick. Add or remove oil as indicated on dipstick.

Recommended SAE Viscosity Grades

Determine temperature range expected before next oil change. All oil must meet A P I service classification SD SE or SF



Dipstick assembly must be securely tightened into tube at all times when engine is operating

CAUTION: TO AVOID DAMAGE TO THE STARTING SYSTEM, USE SAE 5W30 OIL WHEN THE TEMPERATURE FALLS BELOW 0°C (32°F)

Every 5 Hours (Five Mowings)

- 1 Check Engine Oil Level



DO NOT CHECK ENGINE OIL LEVEL WITH ENGINE RUNNING

Several minutes after stopping engine, check engine oil level with tractor on level ground. Wipe dipstick (Fig. 19) clean, screw it down tight for a few seconds, remove and read oil level. If necessary, add oil until "FULL" mark is reached (See chart above) NOTE: DO NOT OVERFILL

MAINTENANCE

ENGINE OIL DIPSTICK
AND FILL TUBE

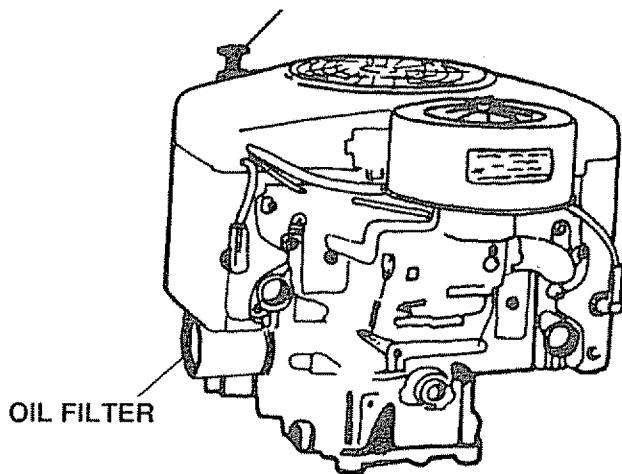


FIGURE 19

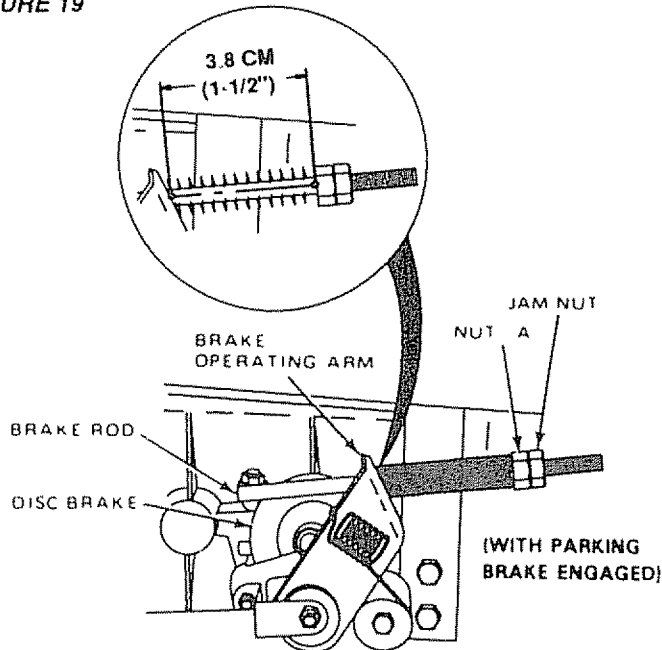


FIGURE 20

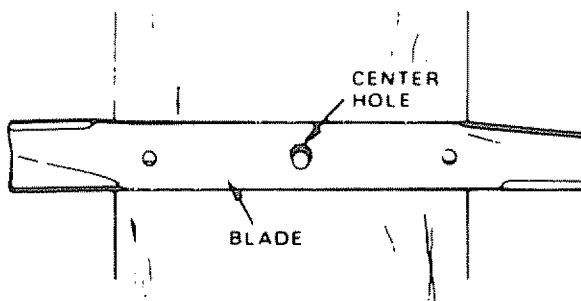


FIGURE 21

Every 25 Hours (Twice a Mowing Season)

1. Brake Adjustment

This Tractor is equipped with an adjustable brake system mounted on the right side of the transaxle (Fig. 20).



IF TRACTOR REQUIRES MORE THAN 1.8 METRES (SIX FEET) STOPPING DISTANCE IN HIGHEST GEAR, THEN BRAKE MUST BE ADJUSTED.

- a. Depress clutch/brake pedal and engage parking brake.
- b. Measure distance between brake operating arm and nut "A" on brake rod.
- c. If distance is other than 3.8 cm (1-1/2"), loosen jam nut (Fig. 20) and turn nut until distance becomes 3.8 cm (1-1/2"). Retighten jam nut against nut "A"

Road test tractor for proper stopping distance as stated above. Readjust if necessary.

2. Tire Care

- a. Maintain tire pressure in front at 14 PSI (1 Kg/cm²) and rear tires at 10 PSI (0.7 Kg/cm²).
- b. Keep tires free of gasoline, oil, or insect control chemicals which can harm rubber.
- c. Avoid stumps, stones, deep ruts and other hazards that may cause tire damage.

3. Blade Sharpening

For best results mower blades must be kept sharp. The blades can be sharpened with a few strokes of a file or on a grinding wheel. We suggest they be sharpened after every 25 hours of mowing. Do not attempt to sharpen while on mower. If you mow in sandy soil check the blades after each two mowings. The sand wears the blades away rapidly.

- a. When grinding care should be taken to maintain blade balance and the blade should be checked for proper balance before reinstallation on mower. Unbalanced or bent blade will cause excessive vibration when running and eventual damage to mower or engine. Replace bent or damaged blades.
- b. To check blade balance, drive a nail into a beam or wall. Leave about one inch (25.4 mm) of the straight nail exposed. Place center hole of clean blade over the head of the nail (Fig. 21). NOTE: CENTER HOLE OF BLADE ON NAIL. IF BLADE IS PROPERLY BALANCED, BLADE SHOULD REMAIN IN POSITION SHOWN IN FIG. 21. IF EITHER END OF THE BLADE MOVES DOWNWARD, BLADE IS NOT BALANCED. SHARPEN THE HEAVY END UNTIL BLADE IS BALANCED.

MAINTENANCE

Every 50 Hours (Once a Mowing Season)

(Operating in dusty conditions may require more frequent servicing.)

1 Check Battery

- Battery acid level in each battery cell should be even with bottoms of tubes in cells (Fig. 22). Add **ONLY** distilled water if necessary. NOTE: DO NOT OVERFILL
- Keep battery and terminals clean
- Keep battery bolts tight
- Keep vent caps tight and small vent holes in caps open
- Recharge at 6 amperes for 1 hour if necessary

NOTE: OVERCHARGING WILL SHORTEN BATTERY LIFE.

2 Clean Battery and Terminals

Corrosion and dirt on the battery and terminals cause the battery to "leak" power



LEAD-ACID BATTERIES GENERATE EXPLOSIVE GASES. KEEP SPARKS, FLAME AND SMOKING MATERIALS AWAY FROM BATTERIES. ALWAYS SHIELD YOUR EYES AROUND BATTERIES.

- Remove terminal guard
- Disconnect **BLACK** battery cable then **RED** battery cable and remove battery from tractor
- Wash battery with 60 grams (1/4 cup) of baking soda to 3.8 litres (1 gallon) water.

NOTE: BE CAREFUL NOT TO GET THE SODA SOLUTION INTO THE CELLS.

- Rinse the battery with plain water, dry and reinstall on tractor
- Clean terminals and battery cable ends with wire brush until bright
- Replace battery cables, connecting **RED** battery cable to positive terminal first, then **BLACK** battery cable to negative terminal. Coat terminal connections with petroleum jelly.
- Replace terminal guard

3. Change Engine Oil

The best time to change engine oil is at the end of a day's operation when all dirt and foreign materials are suspended in the hot oil. See chart, page 15

(OPERATING IN DUSTY CONDITIONS MAY REQUIRE MORE FREQUENT SERVICING)

4. Clean Air Cleaner Foam Pre-Cleaner (Fig. 23)

- Remove Wing Nut and cover.
- Remove foam pre-cleaner element by sliding it off of the paper cartridge.
- Wash foam pre-cleaner in liquid detergent and water.
- Wrap foam pre-cleaner in cloth and squeeze dry.
- Lightly coat foam pre-cleaner with engine oil (Do not saturate). Squeeze in rag or towel to remove excess oil.
- Install foam pre-cleaner over paper cartridge. Reassemble cover and screw down tight.

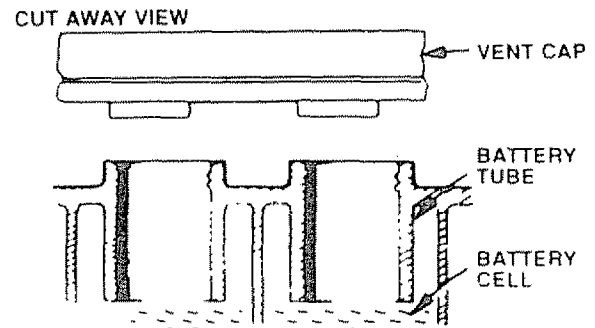


FIGURE 22

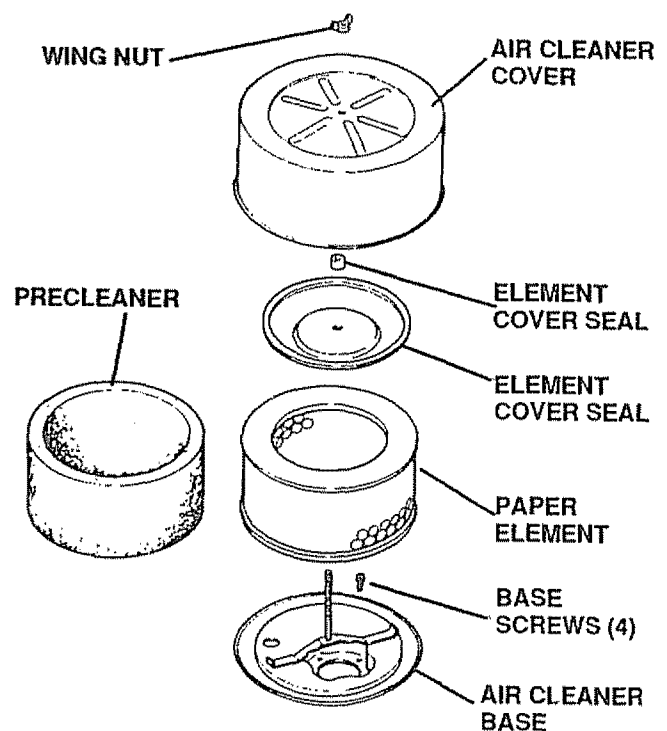


FIGURE 23

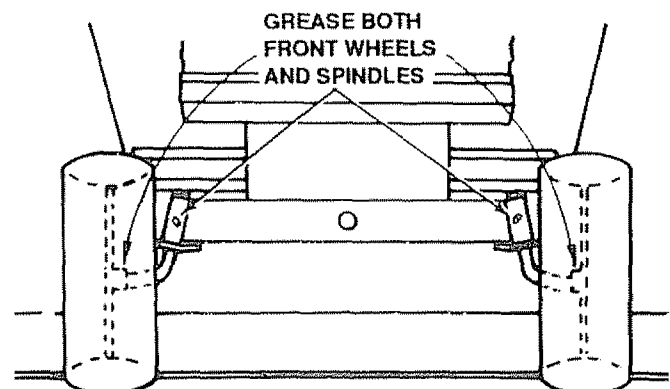


FIGURE 24

MAINTENANCE

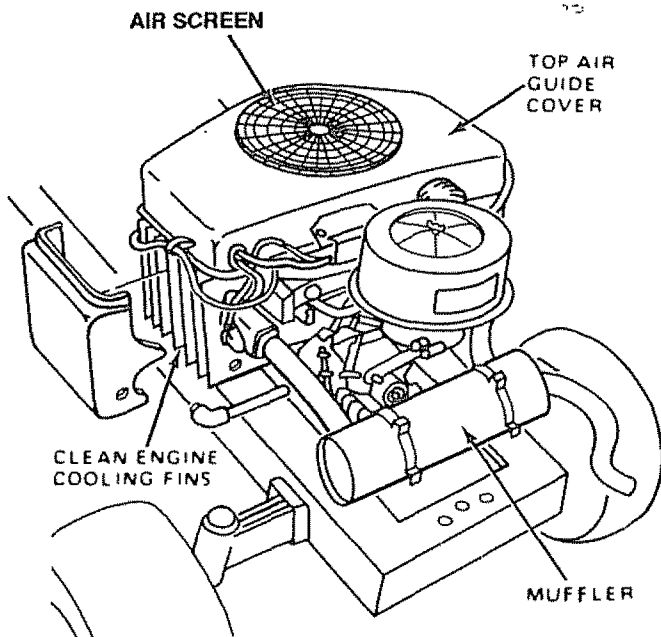


FIGURE 25

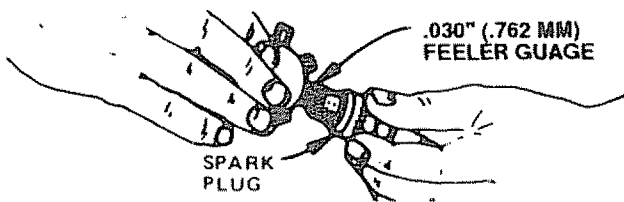


FIGURE 26

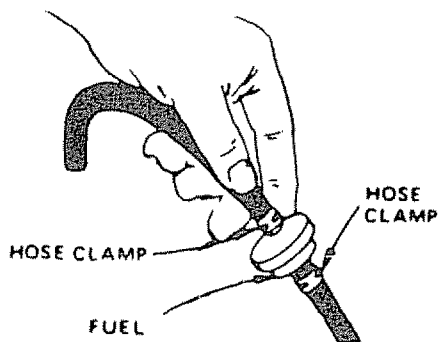


FIGURE 27

5. Lubricate Steering and Front Wheels

There is a grease fitting on each front wheel and axle spindle. Use a grease gun to give each grease fitting two shots of extreme pressure lubricating grease (available through your Sears Service Center)(Fig. 24).

6. Oil Pivot Points

Place several drops of SAE 30 oil at points where metal parts move against each other, especially:

- Hood hinges.
- Shifter shaft points.

SEE LUBRICATION CHART, PAGE 19.

7. Clean Air Screen

Air screen (Fig. 25) must allow free-flow of air to prevent engine damage from overheating. Clean with a wire brush, compressed air or water pressure to remove dirt, chaff, stubborn dried gum and fibers.



ALWAYS WEAR SAFETY GLASSES WHEN USING COMPRESSED AIR. DO NOT TOUCH HOT MUFFLER, CYLINDER OR FINS AS CONTACT MAY CAUSE BURNS.

8. Inspect Muffler

Inspect and replace corroded muffler as it could create a fire hazard and/or damage (Fig. 25).

9. Clean Engine Cooling Fins

Remove any dust, dirt or oil from engine cooling fins to prevent engine damage from overheating. Air guide covers must be removed (Fig. 25). Remove bolts to remove side and top covers. See "HOOD REMOVAL," page 21.



DO NOT TOUCH HOT MUFFLER, CYLINDER OR FINS AS CONTACT MAY CAUSE BURNS.

Every 100 Hours



DISCONNECT SPARK PLUG WIRES TO PREVENT ACCIDENTAL STARTING BEFORE MAKING ANY INSPECTION, ADJUSTMENT OR REPAIR (EXCEPT CARBURETOR). BE CAREFUL TO AVOID TOUCHING HOT ENGINE OR MUFFLER COMPONENTS.

1. Replace Spark Plugs

Replace spark plugs at the beginning of each mowing season or every 100 hours, whichever comes first. Gap should be set at 0.030" (0.762 mm). (Fig. 26).

2. Replace Air Cleaner Paper Cartridge

Refer to page 17.

3. Replace In-Line Fuel Filter

If fuel filter is clogged, obstructing fuel flow to carburetor, replacement is required.

- With engine cool, remove filter and plug fuel line sections as removed from both ends of fuel filter (Fig. 27).
- Place new fuel filter in position in fuel line. Be sure there are no fuel line leaks and that fuel line is in proper position in hose clamps.



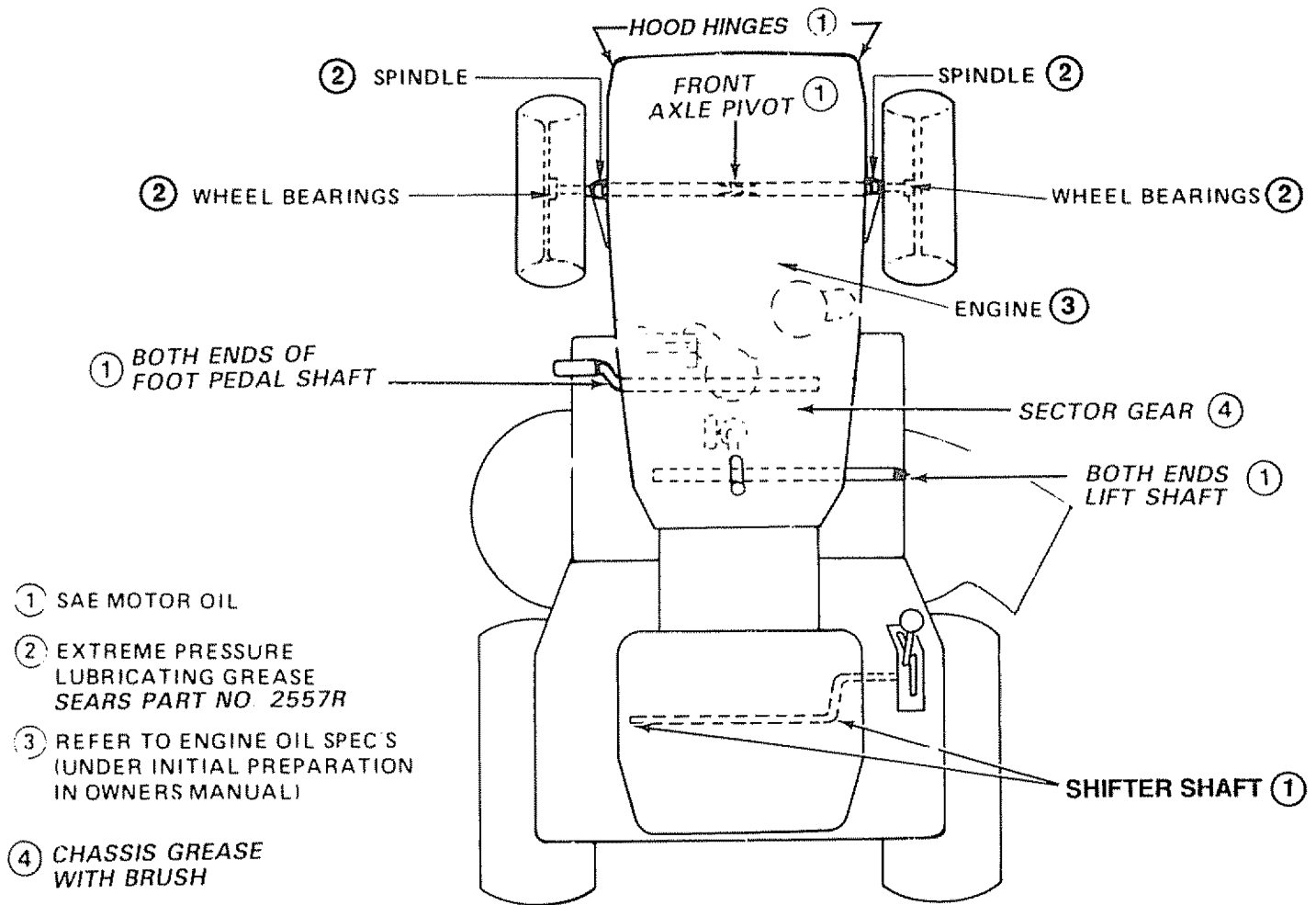
BESURE THERE ARE NO FUEL LINE LEAKS AND THAT FUEL LINE IS IN PROPER POSITION IN HOSE CLAMPS.

4. Change Engine Oil Filter

- Drain crankcase of oil (refer to "CHANGE ENGINE OIL," page 15, through step d). Remove old filter (Fig. 19) by turning counterclockwise.
- Before installing new filter, apply a thin coating of oil on surface of the rubber seal.
- Install new filter by turning clockwise until rubber seal contacts the filter adapter, then tighten the filter an additional 1/2 turn.
- Refill crankcase with engine oil (see page 15 for oil specifications). Add an additional 1/2 pint (.24 litres) oil for the new filter capacity.
- Start the engine. Check for and correct any oil leaks.

MAINTENANCE

Lubrication



REPAIR & ADJUSTMENT

FOR ANY ADJUSTMENTS, INSPECTION OR MAINTENANCE:

- 1 PUSH TRACTOR CLUTCH/BRAKE PEDAL COMPLETELY INTO BRAKE POSITION
- 2 MOVE GEAR SHIFT LEVER TO 'NEUTRAL' POSITION
- 3 PLACE PARKING BRAKE IN 'ENGAGED' POSITION REMOVE FOOT FROM PEDAL
- 4 PLACE ATTACHMENT CLUTCH SWITCH IN 'DISENGAGED' POSITION
- 5 TURN IGNITION KEY TO 'OFF' POSITION
- 6 MAKE ABSOLUTELY SURE THE BLADES AND ALL MOVING PARTS HAVE COMPLETELY STOPPED
- 7 REMOVE THE IGNITION KEY
- 8 DISCONNECT THE SPARK PLUG WIRES FROM THE SPARK PLUGS AND KEEP AWAY FROM THE SPARK PLUGS TO PREVENT INJURY FROM ACCIDENTAL STARTING. BE CAREFUL TOO AVOID TOUCHING HOT ENGINE OR MUFFLER COMPONENTS

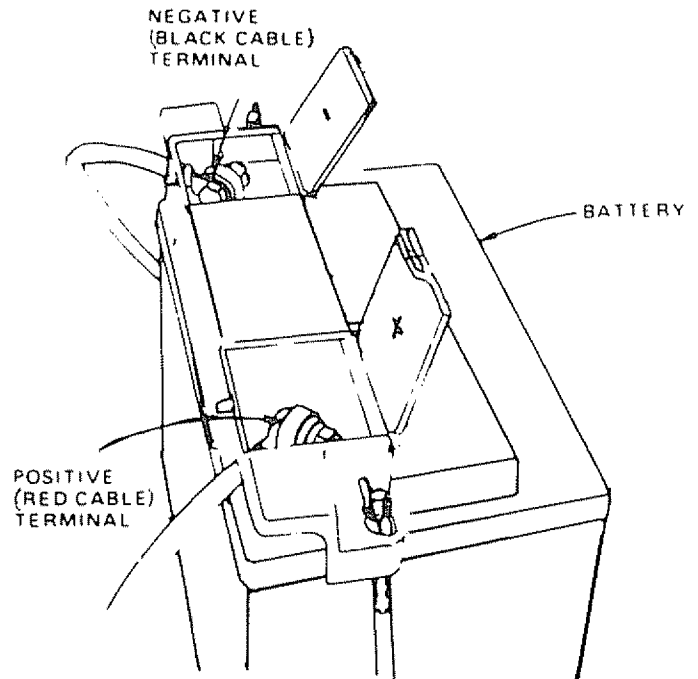


FIGURE 28

REPAIR & ADJUSTMENTS



LEAD-ACID BATTERIES GENERATE EXPLOSIVE GASES. KEEP SPARKS, FLAME AND SMOKING MATERIALS AWAY FROM BATTERIES. ALWAYS WEAR EYE PROTECTION WHEN AROUND BATTERIES.

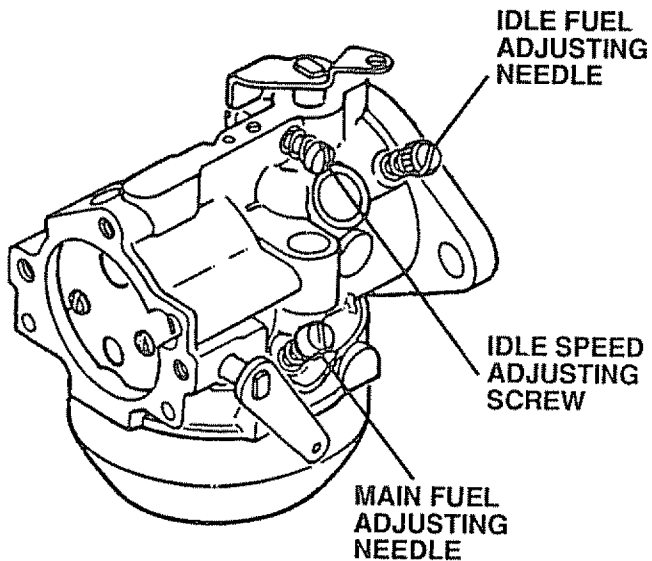


FIGURE 29

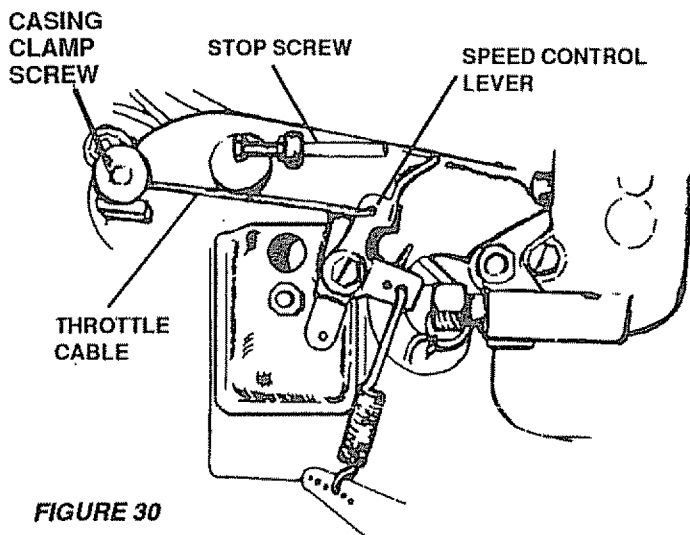


FIGURE 30

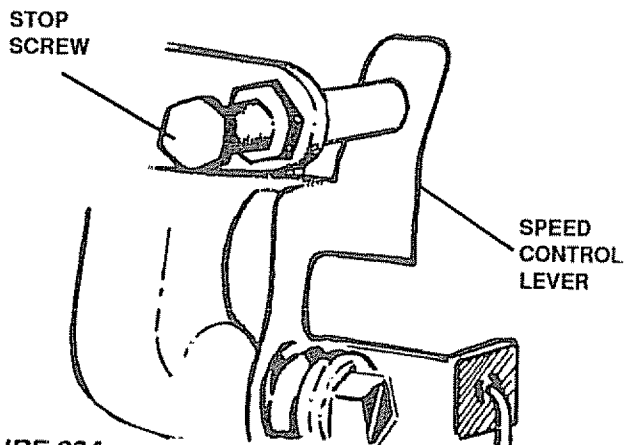


FIGURE 30A

1. Starting your Tractor With a Weak Battery

If your battery is too weak to start the engine, it should be recharged. If "jumper cables" are used for emergency starting, follow this procedure:

NOTE: YOUR TRACTOR IS EQUIPPED WITH A 12 VOLT NEGATIVE GROUNDED SYSTEM. THE OTHER VEHICLE MUST ALSO BE A 12 VOLT NEGATIVE GROUNDED SYSTEM.

- a. Connect each end of the **RED** jumper cable to the **POSITIVE(+)** terminals of each battery (taking care not to short against chassis). (Fig. 28)
- b. Connect one end of the **BLACK** jumper cable to the **NEGATIVE (-)** terminal of fully charged battery.
- c. Connect the other end of the **BLACK** jumper cable to the L.H. side panel bolt (Fig. 14) **NOTE: KEEP AWAY FROM GAS TANK AND BATTERY.**
- d. Disconnect cables in reverse order:
 1. L.H. side panel bolt (Fig. 14)
 2. Negative terminal of fully charged battery
 3. Positive terminals



DO NOT USE YOUR TRACTOR BATTERY TO START OTHER VEHICLES.

2. Throttle Control Cable Adjustment

Never attempt to change maximum engine speed. This is preset at the factory (3600 rpm \pm 75 rpm) and should only be changed by a qualified service technician who has the necessary equipment.

- a. Remove hood (Fig. 32).
- b. Loosen casing clamp screw (Fig. 30) until throttle cable is free to move.
- c. Move throttle control (on dashboard) to "FAST" position.
- d. Pull throttle cable tight (until speed control lever (Fig. 30A) is against stop screw (Fig. 30A)). Retighten casing clamp screw.



REFER TO "STARTING THE ENGINE," PAGE 12.

3. Carburetor Adjustment

In general, turning the adjusting needles (Fig. 29) in (clockwise) decreases the supply of fuel to the carburetor. This gives a leaner fuel/air mixture. Turning the adjusting needles (Fig. 29) out (counterclockwise) increases the supply of fuel to the carburetor. This gives a richer fuel/air mixture. Setting the needles midway between the lean and rich positions will usually give the best results.

Adjust the carburetor as follows:

- a. With the engine stopped, turn the idle fuel adjusting needle in (clockwise) until it bottoms lightly. **NOTE: The tip of the idle fuel and main fuel adjusting needles are tapered to critical dimensions. Damage to the needles and the seats in carburetor body will result if the needles are forced.**
- b. Preliminary settings: Turn the adjusting needles out (counterclockwise) from lightly bottomed. Turn the idle 1-1/4 turns, turn the main 1 turn.
- c. Start the engine and run at half throttle for five to ten minutes to warm up. The engine must be warm before making final settings (Steps d, e, f, and g).
- d. Place the throttle into the "fast" position.

REPAIR & ADJUSTMENT

1. Turn the main fuel adjusting needle out (counterclockwise) from the preliminary setting until the engine speed decreases (rich).
 2. Now turn the adjusting needle in (clockwise). The engine speed may increase, then it will decrease as the needle is turned in (lean).
 3. Now set the adjusting needle midway between the rich and lean settings.
- e. **Idle Speed Setting:** Place the throttle control into the "idle" or "slow" position. Set the idle speed to 1200 rpm adjusting screw in or out.
- f. **Idle Fuel Needle Setting:** Place the throttle into the "idle" or "slow" position.
1. Turn the idle fuel adjusting needle out (counterclockwise) from the preliminary setting until the engine speed decreases (rich).
 2. Now turn the adjusting needle in (clockwise). The engine speed may increase, then it will decrease as the needle is turned in (lean).
 3. Set the adjusting needle midway between the rich and lean settings.
 4. Recheck the idle speed. Readjust the speed as necessary.

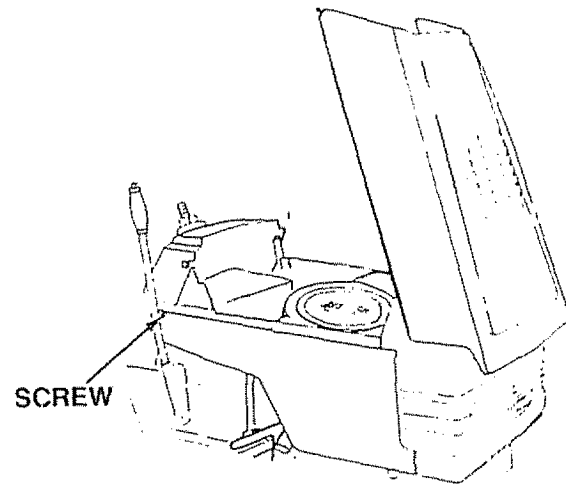


FIGURE 31

4. Fuse Replacement

Replace with 30 amp automotive-type plug in fuse. Fuses can be purchased at all Sears Service Centers and most retail stores. Fuse is located directly behind dash.

5. Hood Removal

- a. Lift hood. Disconnect headlight wiring connection (Fig. 32).
- b. Unscrew one screw at rear of each side panel (Fig. 31).
- c. Pivot hood and side panel forward and lift off tractor (Fig. 32).
- d. To replace, reverse above procedure.

WIRE CONNECTION

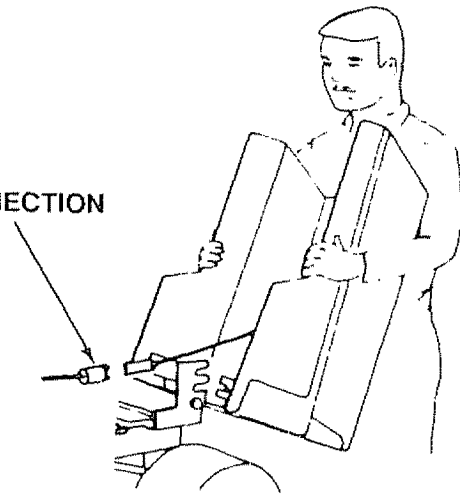


FIGURE 32

6. Mower Adjustment

Adjust the mower while tractor is parked on level ground or driveway. Make sure tire pressures are 1 Kg/cm² (14 PSI) in front and 0.71 Kg/cm² (10 PSI) in rear. If tires are over or under inflated, you will not properly adjust your mower.

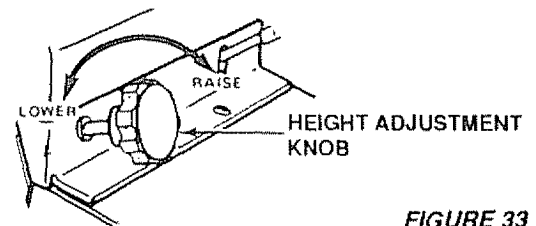


FIGURE 33

FOR ANY ADJUSTMENTS INSPECTION OR MAINTENANCE:

1. PUSH TRACTOR CLUTCH BRAKE PEDAL COMPLETELY INTO 'BRAKE' POSITION
2. MOVE GEAR SHIFT LEVER TO 'N' (NEUTRAL) POSITION
3. PLACE PARKING BRAKE IN ENGAGED POSITION. REMOVE FOOT FROM PEDAL
4. PLACE ATTACHMENT CLUTCH SWITCH IN 'DISENGAGED' POSITION
5. TURN IGNITION KEY TO 'OFF' POSITION
6. MAKE ABSOLUTELY SURE THE BLADES AND ALL MOVING PARTS HAVE COMPLETELY STOPPED
7. REMOVE THE IGNITION KEY
8. DISCONNECT THE SPARK PLUG WIRE(S) FROM THE SPARK PLUG(S) AND KEEP WIRE(S) AWAY FROM THE PLUG(S) TO PREVENT INJURY FROM ACCIDENTAL STARTING. BE CAREFUL TO AVOID TOUCHING HOT ENGINE OR MUFFLER COMPONENTS



LIFT LEVER
PLUNGER

LIFT LEVER

SIDE TO SIDE
ADJUSTMENT

BOTTOM
OF CURL
A
GROUND
LEVEL

BOTTOM
OF CURL
A
GROUND
LEVEL

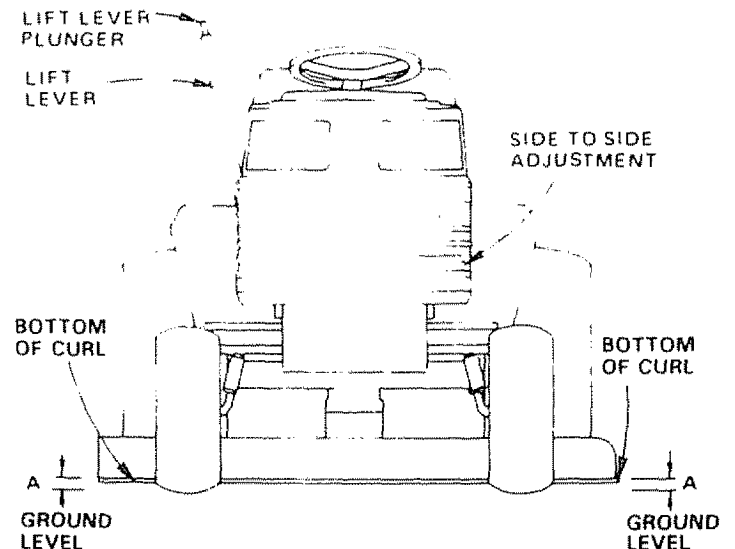


FIGURE 34

Height Adjustment

Adjustment for mower height is made with the height adjustment knob. Raise mower cutting height by turning height adjustment knob clockwise (↻). Lower mower cutting height by turning height adjustment knob counterclockwise (↺) (Fig. 33).

REPAIR & ADJUSTMENT

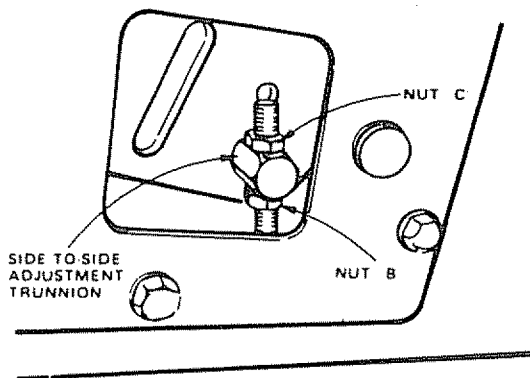


FIGURE 35

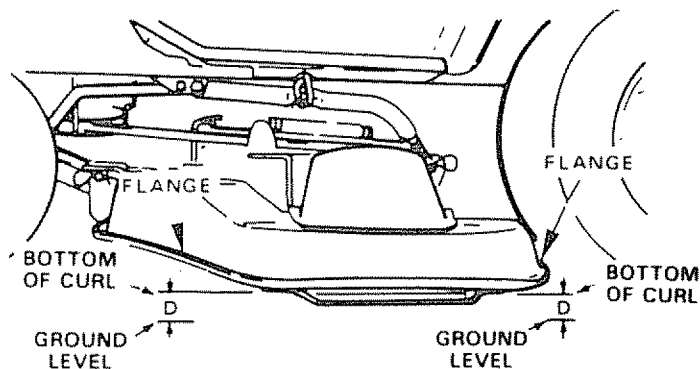


FIGURE 36

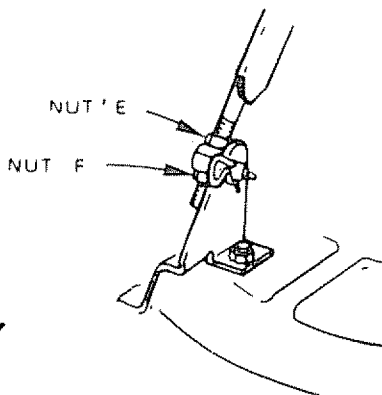


FIGURE 37

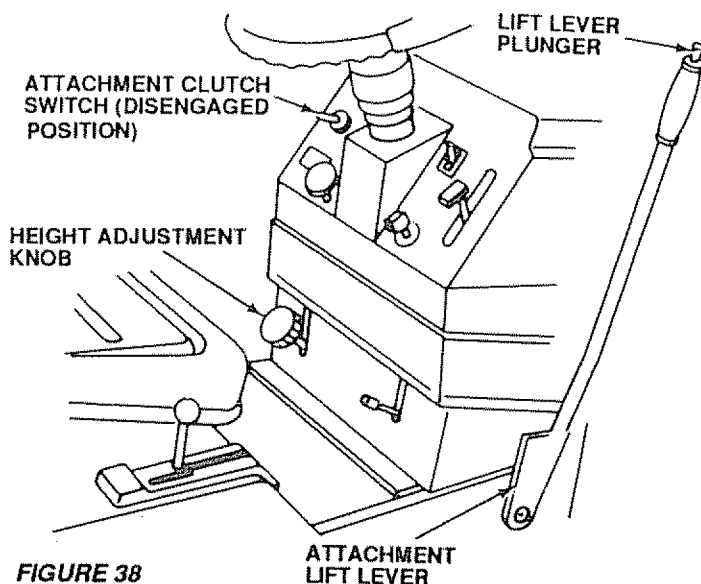


FIGURE 38

Side-to-Side mower Adjustment

- Depress lift lever plunger and use lift lever to raise mower to maximum cutting height (Fig. 34)
- Measure height from bottom of curl to ground level at front of mower. Distance "A" should be the same (Fig. 34).
- If distance "A" needs to be changed, snap out access hole cover on L.H. side above footrest. Use 11/16" wrench on nuts "B" and "C" at side-to-side adjustment trunnion (Fig. 35).
- To raise left side of mower, loosen nut "B" and tighten nut "C".
- To lower left side of mower, loosen nut "C" and tighten nut "B".

NOTE: ONE ROTATION OF ADJUSTMENT NUTS IS EQUIVALENT TO APPROXIMATELY 5 MM (3/16") HEIGHT CHANGE.

- Be sure all nuts are securely tightened.

Front-To-Rear Mower Adjustment

- To obtain the best cutting results, your mower housing should be adjusted so the front and rear flange distance "D" (Fig. 36) is 13 mm (1/2") lower in front when the mower is positioned in the highest cutting position.

NOTE: MEASURE DISTANCE "D" FROM GROUND LEVEL TO BOTTOM OF CURL ON RIGHT REAR FLANGE AND COMPARE TO DISTANCE "D" AT RIGHT FRONT FLANGE

- To raise rear of mower, loosen nut "E" on both rear suspension arms. Screw both nuts "F" up an EQUAL NUMBER OF TURNS (Fig. 41).
- When distance "D" is 13 mm (1/2") lower at front than rear, tighten nuts "E".
- To lower rear of mower, loosen nut "F" on both rear suspension arms an EQUAL NUMBER OF TURNS (Fig. 37).
- When distance "D" is 13 mm (1/2") lower at front than rear, retighten nuts "E".

NOTE: WHEN ADJUSTING REAR SUSPENSION TRUNNIONS, ALWAYS ADJUST BOTH EQUALLY SO MOWER WILL STAY LEVEL

Mower Drive Belt Removal

NOTE: MOWER BELT INSTALLATION DECAL LOCATED ON MOWER HOUSING



REPLACE ONLY WITH THE BELTS SPECIFIED IN THIS MANUAL.

- Place attachment clutch switch in "Disengaged" position (Fig. 38).
- Turn height adjustment knob to its lowest position. Move attachment lift lever (Fig. 38) forward to lower mower to its lowest position.
- Roll belt off engine pulley (Fig. 39).
- Pull belt off both mower pulley and idler pulleys (Fig. 40)
- To replace mower drive belt, reverse above procedure.

NOTE: MAKE SURE DRIVE BELT IS ENGAGED IN ALL PULLEYS.

REPAIR & ADJUSTMENT

7. Mower Removal

- Remove mower drive belt. (See "MOWER DRIVE BELT REMOVAL," page 22, through step 3.)
- Pull belt off engine pulley (Fig. 39).
- Pull retainer springs out of rear suspension trunnions. Remove rear suspension trunnions from lift brackets (Fig. 41)
- Pull retainer spring out of rear hinge pin. Remove rear hinge pin (Fig. 41).
- Pull retainer spring out of front hinge pin. Remove front hinge pin (Fig. 41) and parallel link.
- Use lift lever to raise suspension arms. Slide mower out from under tractor.



BEFORE DRIVING YOUR TRACTOR, INSTALL MOWER OR REMOVE PARALLEL LINK (FIG. 41).

NOTE: IF AN ATTACHMENT OTHER THAN THE MOWER DECK IS TO BE MOUNTED ON THE TRACTOR, THE L.H. AND R.H. SUSPENSION ARMS (FIG. 41) SHOULD BE REMOVED.

8. Mower Blade Drive Belt Replacement

- Remove mower drive belt. (See page 22.)
- Remove mower from tractor. (See "MOWER REMOVAL," above.)
- Pull belt towards rear of mower at tensioning pulley (Fig. 42). Place a block between tension bracket and mower lift bracket. Roll belt off tensioning pulley.
- Roll belt off all other pulleys.
- Slide belt from under spring.
- To install belt, reverse above procedure. Make sure belt is engaged in all pulleys.

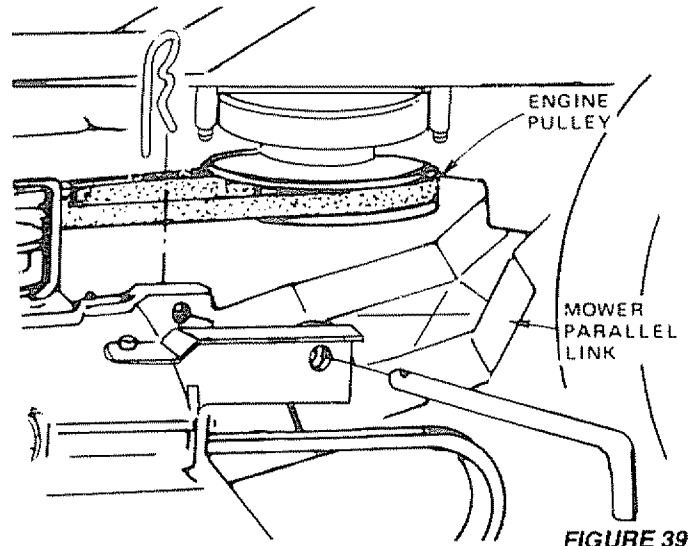


FIGURE 39

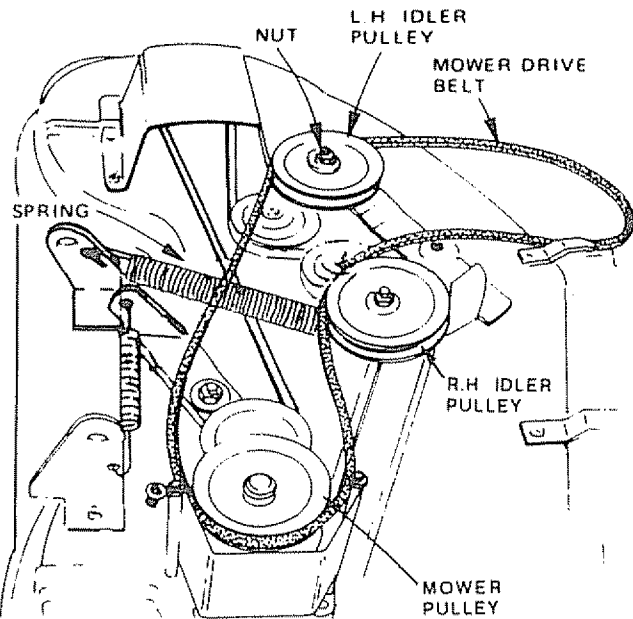


FIGURE 40

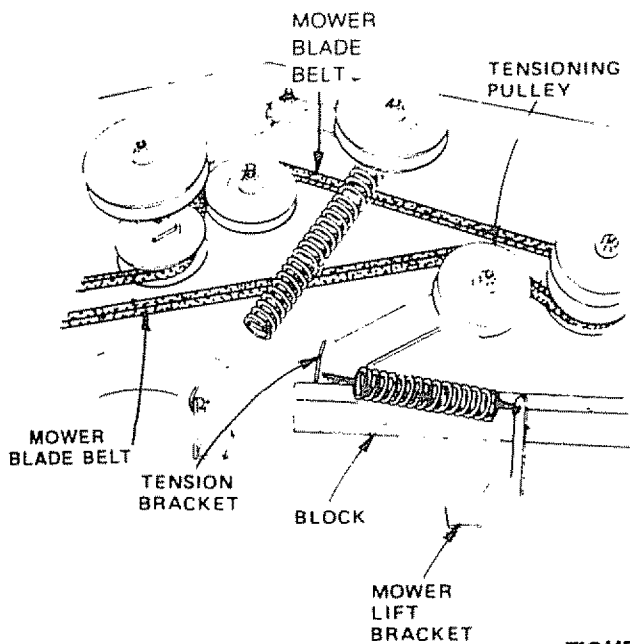


FIGURE 42

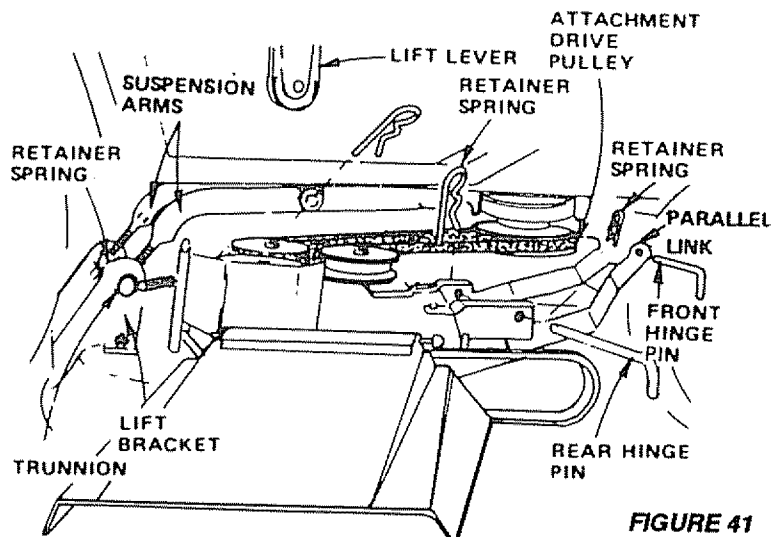


FIGURE 41

REPAIR & ADJUSTMENTS

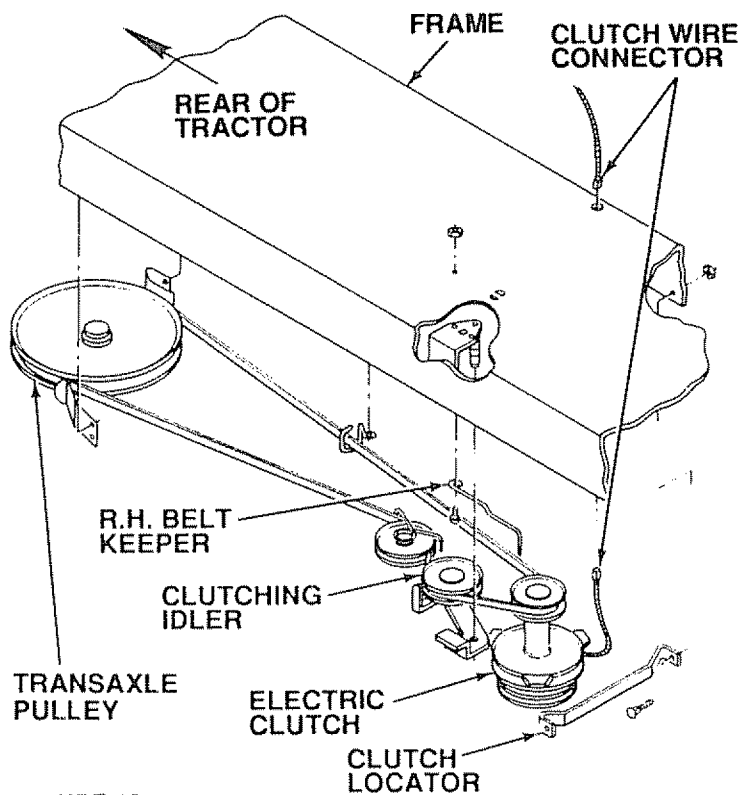


FIGURE 43

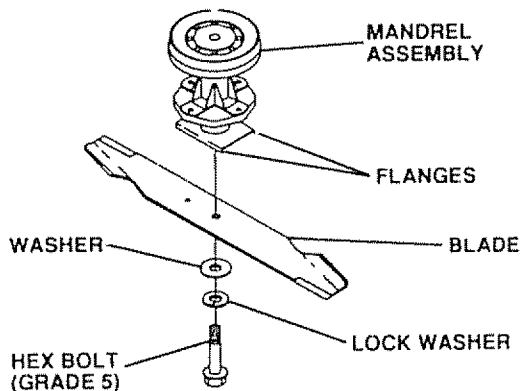


FIGURE 44

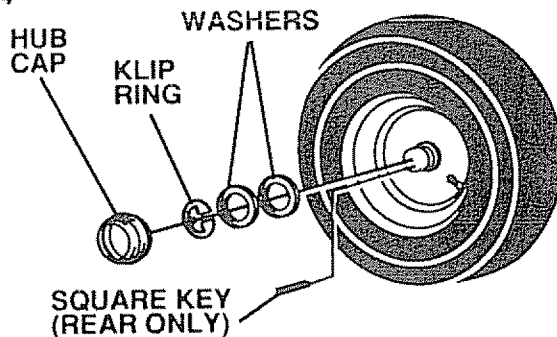
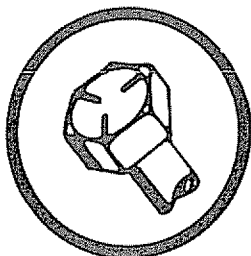


FIGURE 45



A GRADE 5 HEAT TREATED BOLT CAN BE IDENTIFIED BY THREE LINES ON THE BOLT HEAD AS SHOWN AT LEFT

9 Motion Drive Belt Replacement

NOTE: BELT INSTALLATION DECAL IS LOCATED UNDER LEFT FOOTREST.

- Remove mower (see "MOWER REMOVAL" page 23).
- Using a 1/2" wrench, remove the clutch locator (Fig. 43).
- Using a 9/16" wrench, loosen the right hand belt keeper (Fig. 43).
- Disconnect clutch wire connector. Push connector through frame (Fig. 43).
- Pull belt off clutching idler and raise to top side of pulley.
- Release parking brake. Push belt over and away from clutching idler.
- Pull belt slack toward rear of tractor. Remove belt from transmission pulley by deflecting keepers to force belt up and out of pulley. (Use belt to push keepers away from pulley.) (Fig. 43)
- Work belt around remaining pulleys and keepers, working toward transaxle pulley.
- Pull belt forward off transaxle pulley and down over electric clutch.
- Reinstall in reverse of above procedure.

Make sure right hand belt keeper is positioned correctly between locator tabs and electric clutch connection is secure.

10. Blade Replacement

Raise mower to highest position to permit access to blades or remove mower

- Remove bolt, lockwasher and washer (Fig. 44) (turn counterclockwise) (↺)
- Remove and discard old blade
- Clean top and bottom of mower housing
- Place new blade between flanges. (Install with sharp edge down), and secure with washer, lockwasher and bolt previously removed

11. Tire Care

- Maintain tire pressure in front at 14 PSI (1Kg/cm²) and rear tires at 10 PSI (0.7 Kg/cm²).
- Keep tires free of gasoline, oil, or insect control chemicals which can harm rubber.
- Avoid stumps, stones, deep ruts, sharp objects and other hazards that may cause tire damage.
- Removing wheel for tire repair (Fig. 45)
 - Block up axle securely.
 - Remove hub cap, klip ring and washer to allow wheel removal (rear wheel contains a square key - Do Not Lose).
 - Repair tire and reassemble. Align slots in rear wheel hub and axle. Insert square key. Replace washer and snap klip ring securely in axle groove. Replace hub cap.

NOTE: USE GREASE FITTINGS TO LUBRICATE FRONT WHEELS WITH GENERAL PURPOSE GREASE. APPLY AN ANTI-SEIZE OR GOOD GENERAL PURPOSE GREASE TO LUBRICATE REAR AXLES.



ALWAYS USE GRADE 5 HEAT TREATED BOLTS TO ATTACH BLADES. DO NOT USE PLATED BOLTS. CHECK BOLTS IN BLADES OCCASIONALLY TO MAKE SURE BOLTS ARE TIGHT. TORQUE BOLTS TO 41-47 N-m (30-35 FT.-LBS.).

REPAIR & ADJUSTMENT



WHEN MOUNTING TIRES, UNLESS BEADS ARE SEATED, OVER INFLATION CAN CAUSE AN EXPLOSION.

12. Rear Wheel Replacement

For rear wheel replacement, follow instructions under "TIRE CARE," page 24

Coat axle with grease to prevent corrosion or rust accumulation and eventual seizing of wheel hub to axle shaft.



WHEN REPLACING WHEELS ON THE TRACTOR THEY MUST BE MOUNTED WITH THE LONG HUB SIDE TOWARD THE CENTER OF THE TRACTOR. INCORRECT INSTALLATION COULD AFFECT LATERAL STABILITY (SEE FIG 46)

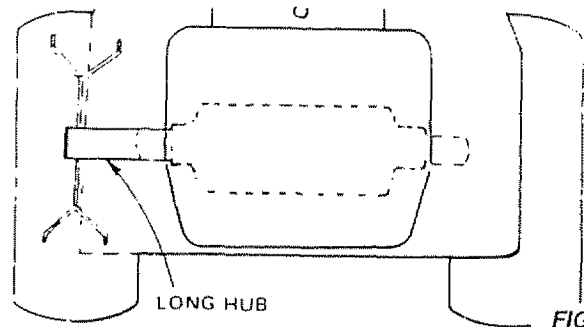


FIGURE 46

13. Transaxle Shifter Linkage Positioning and Adjustment

The transaxle should be in neutral when the gear shift lever is in the neutral (lock gate) position (Fig. 47). The adjustment is preset at the factory; however, if adjustment is needed, proceed as follows:

- Make sure transaxle is in neutral
- Using a 7/16" wrench, loosen two (2) locknuts on tie rod (Fig 48 - inset)
- Turn center rod (Fig 48 - inset) until gearshift lever falls into neutral lock gate on fender console (Fig 47)
- Tighten locknuts securely

14 Storage

Remove mower from tractor for winter storage. When mower is to be stored for a period of time, clean it thoroughly, remove all dirt, grease, leaves, etc., give blades and underside of housing a good coat of grease or rust preventative. Store in a clean dry area

a Fuel System

It is important to prevent gum deposits from forming in essential fuel system parts such as the carburetor, fuel filter, fuel hose, or tank during storage. Also, experience indicates that alcohol blended fuels (called gasohol or using ethanol or methanol) can attract moisture which leads to separation and formation of acids during storage. Acidic gas can damage the fuel system of an Engine while in storage. To avoid engine problems, the fuel system should be emptied before storage of 30 days or longer.

b Engine Oil

Drain (with engine warm) oil and replace with clean engine oil. (see chart on page 15)

c Cylinders

- Remove spark plugs
- Pour 29.5 ml (one ounce) of oil through spark plug hole into cylinder
- Turn ignition key to "START" position for a few seconds to distribute oil
- Replace with new spark plugs

d Battery

- Prior to storage, clean terminals and top of battery
- Disconnect cable from positive side of battery.

After a period of time in storage, battery may require recharging.

e General Cleaning

Clean engine, battery, seat, finish, etc of all foreign matter

f Store in a clean, dry area

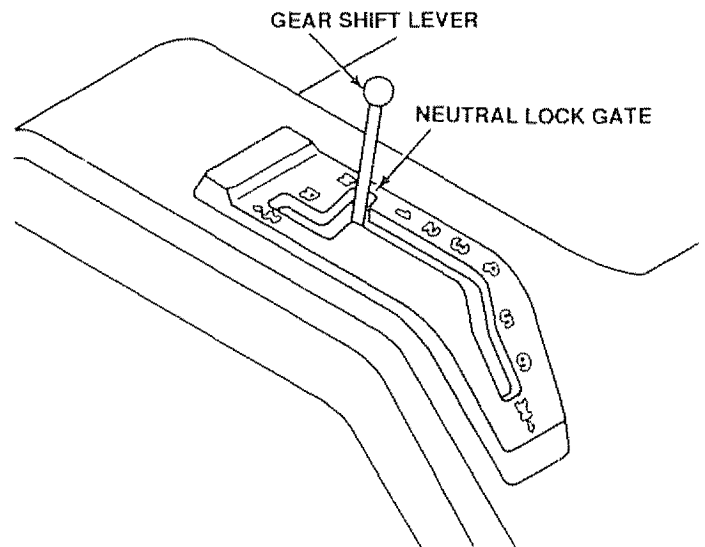


FIGURE 47

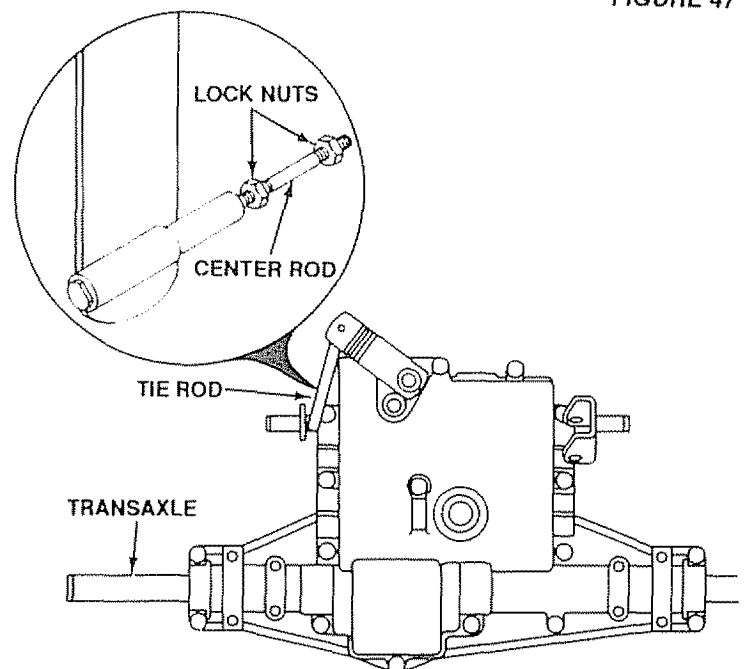


FIGURE 48

TROUBLESHOOTING

PROBLEM	CAUSE / REMEDY (SEE INDEX)
WILL NOT START	Fill Tank with Gasoline. Check Fuel Line and Carburetor (clean if necessary). Replace Fuel Filter. Use Fresh Fuel Recharge or replace Battery Check Wiring Replace Spark Plug(s) and adjust gap Drain and replace oil for proper temperature
WILL NOT TURN OVER	Push Clutch/Brake Pedal into brake position Charge or replace Battery Move Attachment Clutch Switch to "DISENGAGED" position Replace Ignition Switch Replace Interlock Switch(es) Replace Solenoid or Starter Replace Fuse Check all Wire Connections and "Ground" Points Reattach Tiller Attachment Wire Loop
ENGINE CLICKS BUT WON'T START	Clean Battery Terminals Replace Starter or Solenoid Charge or Replace Battery Check Wire Connections and "Ground" Points
HARD TO START	Place Throttle Control in "FAST" position and run starter several times to clear out gas Remove Air Filter and clean Replace Spark Plug(s) and adjust gap Recharge or replace Battery Check the Wiring Drain Fuel Tank and Carburetor. Use Fresh Fuel Replace Fuel Filter Make necessary adjustments to Carburetor Major Engine Overhaul
ENGINE MISSES OR LACKS POWER	Shift to a lower gear or reduce load Drain Gas Tank and Carburetor. Use Fresh Fuel Remove and clean Air Cleaner Make necessary carburetor adjustments Clean Air Screen Add or change oil Replace Spark Plug(s) and adjust gap Replace Fuel Filter Major Engine Overhaul
ENGINE OVERHEATS	Shift to lower gear or reduce load Clean Air Screen Add or change oil Clean Engine Cooling Fins Remove and clean Muffler or replace Remove and clean Air Filter Use fresh fuel and adjust Carburetor
NO LIGHTS	Check Fuse, Switch and Wire Connections. Replace Headlight Bulbs Replace Switch
WON'T CHARGE	Check Fuse for fault and replace Replace Battery Replace Diode Assembly Replace Alternator
OPERATOR PRESENCE SYSTEM WILL NOT SHUT DOWN ENGINE WHEN OPERATOR LEAVES SEAT <i>NOTE: This tractor is equipped with an operator presence sensing system. Any attempt by the operator to leave the seat with the engine running and the attachment clutch engaged will shut down the engine.</i>	Check all Wire Connections Check Seat Switch

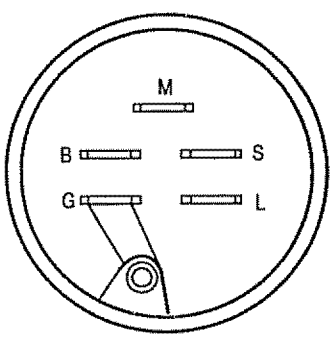
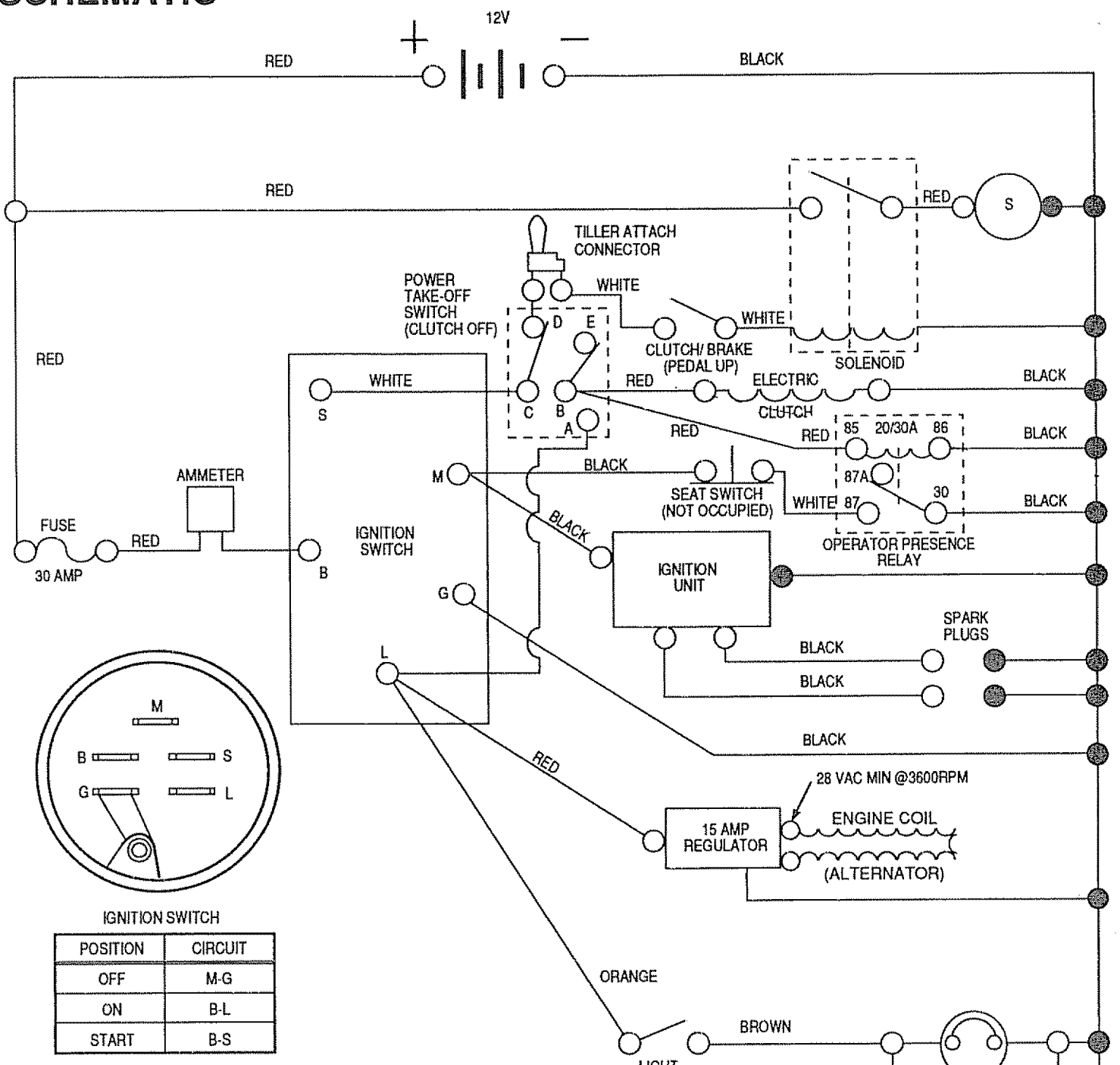
TROUBLESHOOTING

<p>UNSATISFACTORY MOWER PERFORMANCE UNEVEN DISTRIBUTION OF CLIPPINGS</p>	<p>Move Throttle Control to "FAST" Check air pressure in Tires Check front-to-rear and side-to-side Mower adjustment Use a slower ground speed Replace Mower Blades Reinstall Mower Blades with Top of Blade up Clean underside of Mower Deck Readjust Mower Drive Belt</p>
<p>MOWER BLADES WILL NOT ROTATE</p>	<p>Correct Clutch Mechanism Interference Install new Mower Drive Belt Reinstall Mower Drive Belt Adjust Mower Drive Belt Replace frozen Mandrel Replace frozen Idler Pulley</p>
<p>EXCESSIVE MOWER VIBRATION</p>	<p>Replace bent or unbalanced Blades Replace Mandrel Straighten Deck or replace</p>
<p>WIND ROWING STRIPPING OR DROPPING OF GRASS CLIPPINGS</p>	<p>Set Throttle for maximum engine speed Let grass dry out Clean underside of Mower Deck Readjust Mower front-to-rear and side-to-side Replace Blades</p>
<p>UNEVEN CUT OR SCALPING</p>	<p>Readjust Mower front-to-rear and side-to-side Replace Blades Replace bent Mandrel(s)</p>

<p>SERVICE RECORD FILL IN DATES AS YOU COMPLETE REGULAR SERVICE</p>	<p style="text-align: center;">SERVICE DATES</p>					
	FIRST 2 HOURS	EVERY 5 HOURS	EVERY 25 HOURS	EVERY 50 HOURS	EVERY 100 HOURS	EVERY 200 HOURS
Change Engine Oil	✓		✓			
Check Brake Operation		✓				
Check Tire Pressure		✓				
Clean Air Screen			✓	✓		
Clean Air Cleaner			✓	✓		
Lubricate Pivot Points (see page 24)			✓	✓		
Check Battery Level and Recharge			✓	✓		
Clean Battery and Terminals			✓	✓		
Carburetor Adjustment		✓	✓			
V-Belt Adjustment		✓	✓			
Clean Engine Cooling Fins			✓	✓		
Check Muffler			✓	✓		
Replace Air Cleaner Paper Cartridge				✓	✓	
Replace Spark Plug				✓	✓	
Change Engine Oil Filter			✓	✓		
Replace Fuel Filter				✓	✓	

20 H.P. GARDEN TRACTOR - MODEL NUMBER 917.254460 AND 917.250040

SCHEMATIC

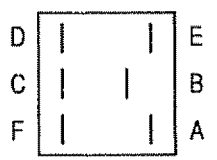


IGNITION SWITCH

POSITION	CIRCUIT
OFF	M-G
ON	B-L
START	B-S

PTO SWITCH

POSITION	CIRCUIT
OFF	B&E, C&D
ON	B&A



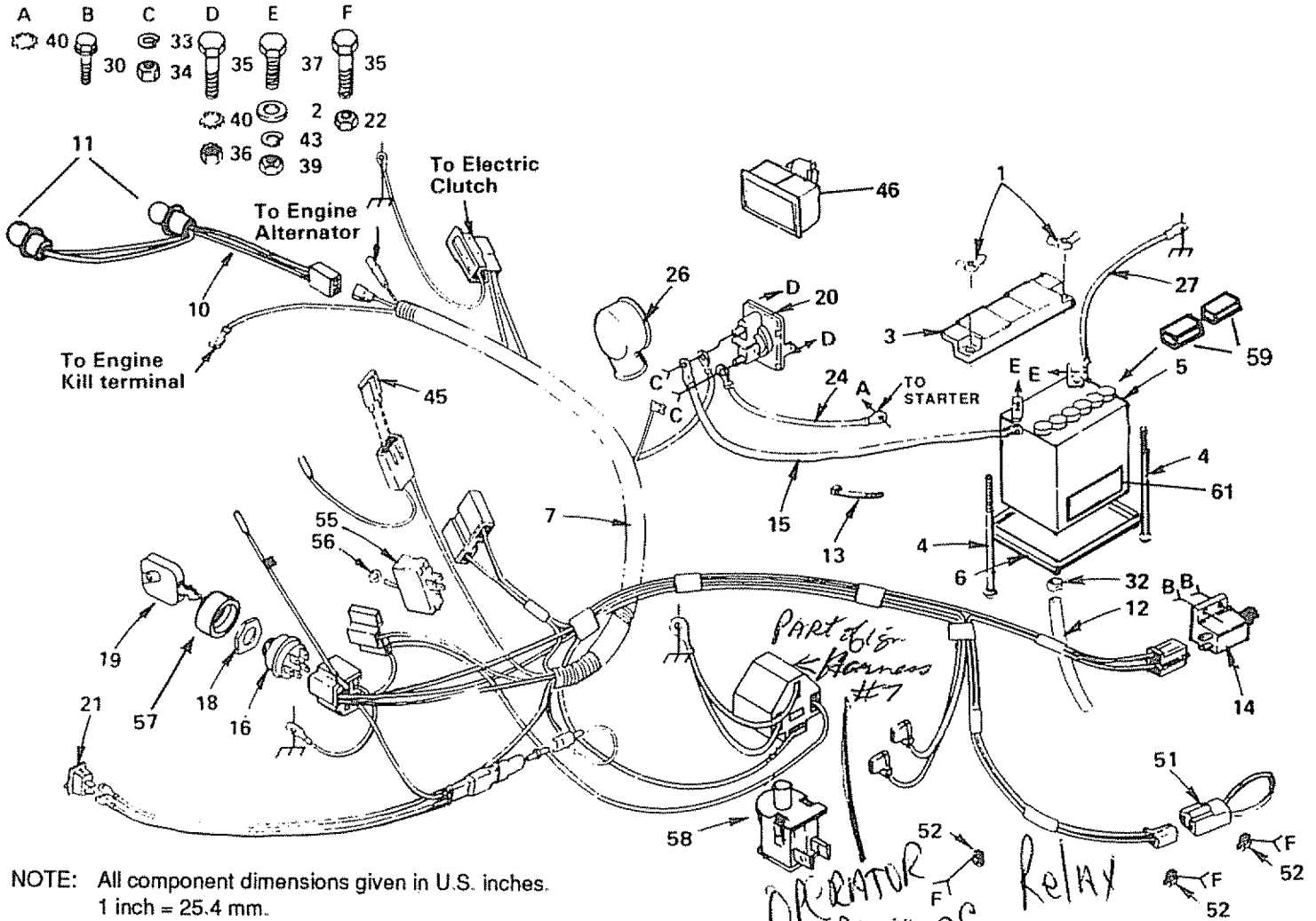
WIRING INSULATED CLIPS
 NOTE: If wiring insulated clips were removed for servicing of unit, they should be replaced to properly secure your wiring.

- Removable Connectors
- Non-removable Connectors

REPAIR PARTS

20 H.P. GARDEN TRACTOR - MODEL NUMBER 917.254460 AND 917.250040

ELECTRICAL



NOTE: All component dimensions given in U.S. inches.
1 inch = 25.4 mm.

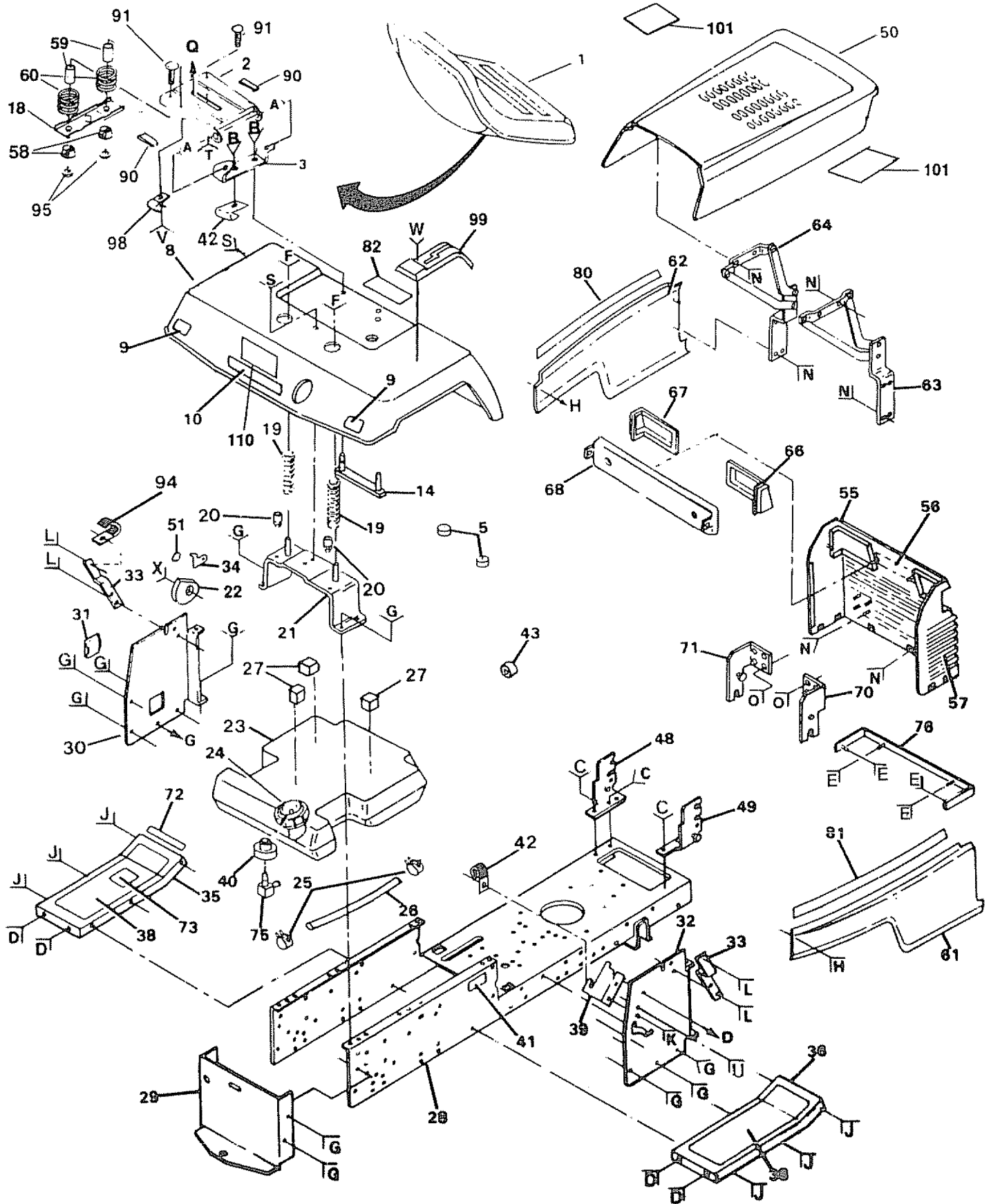
KEY PART NO.	NO.	DESCRIPTION
1	123198X	Wing Nut 1/4 - 20
2	STD551025 *	Washer 9/32 x 5/8 x 16 Ga.
3	102476X	Guard - Terminal
4	STD532575 *	Bolt, Carriage 1/4- 20 x 7- 1/2
5	121537X	Battery
6	7603J	Battery Tray
7	124654X	Harness - Ignition
10	110859X	Harness - Light Socket
11	4152J	Bulb - Light
12	100541K	Tube - Battery Tray
13	7192J	Cable Tie
14	104445X	Switch - Interlock - Clutch
15	4206J	Cable - Battery (Battery to Solenoid)
16	4406R	Ignition Switch
18	109788X	Nut - Ignition
19	109310X	Key
20	109081X	Solenoid
21	110712X	Switch - Light
22	73680400	Nut - Hex 1/4 - 20
24	4799J	Cable - Battery (Solenoid to Starter)
26	719J	Terminal Cover (For Solenoid)
27	4207J	Cable - Battery (Battery to Ground)

KEY PART NO.	NO.	DESCRIPTION
30	STD601005 *	Screw - Tap. Hex Hd. No. 10 - 24 UNC x 1/2 Type T
32	109596X	Clamp - Hose
33	STD551125 *	Lockwasher 1/4
34	73350400 *	Nut - Hex Jam 1/4 - 20
35	74780408	Bolt-Hex 1/4 - 20 x 1/2 Gr. 5
36	STD541425 *	Nut-Keps, Hex 1/4 - 20
37	74760412	Bolt-Hex 1/4 - 20 x 3/4
39	STD541025 *	Nut-Hex 1/4 - 20
40	11050400	Washer - Lock 1/4 Ext. Tooth
43	STD551125 *	Lockwasher 1/4
45	108824X	Fuse - 30 Amp.
46	121433X	Ammeter
51	102501X	Loop - Wire
52	235R	Clip - Insulated
55	4021J	Switch PTO
56	4022J	Nut-Hex
57	109787X	Bezel, Ignition
58	121305X	Switch Seat
59	121264X	Cap Battery
61	120960X	Decal, Battery
---	125895X	Owner's Manual (English)
---	101539X	Sheet, Instruction - Tractor 15° Slope (English)

REPAIR PARTS

20 H.P. GARDEN TRACTOR - MODEL NUMBER 917.254460 AND 917.250040

CHASSIS AND ENCLOSURES



REPAIR PARTS

20 H.P. GARDEN TRACTOR - MODEL NUMBER 917.254460 AND 917.250040

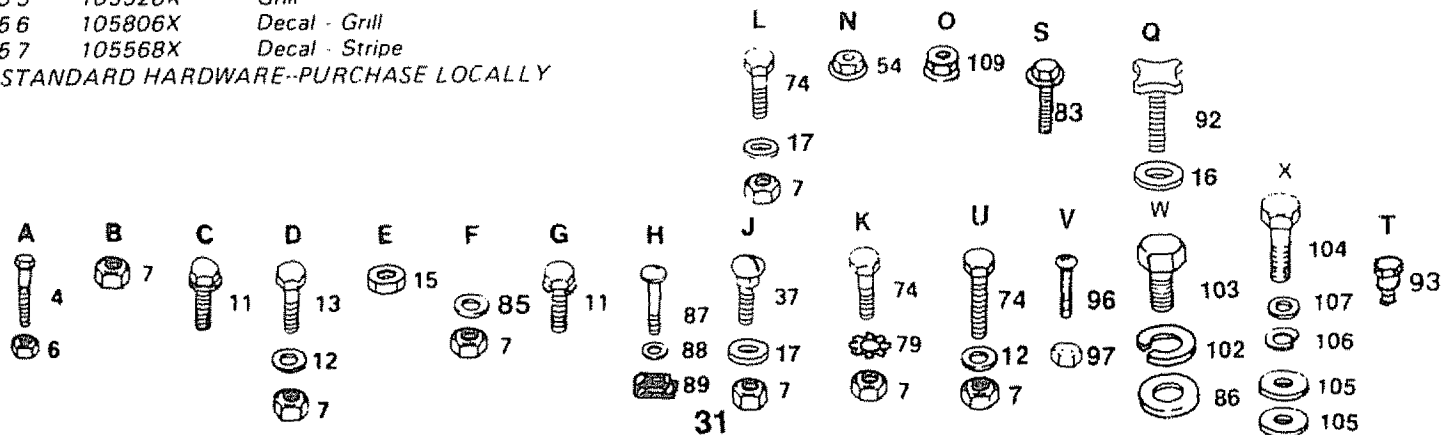
CHASSIS AND ENCLOSURES

NOTE: All component dimensions given in U.S. inches -
1 inch = 25.4 mm

KEY NO.	PART NO.	DESCRIPTION
1	120066X	Seat
2	124294X	Pan - Seat
3	105513X	Bracket - Pivot - Seat
4	105529X	Bolt - Shoulder 5/16 - 18
5	124238X	Cap - Spring
6	73680500	Nut - Lock 5/16 - 18
7	73680600	Nut - Lock 3/8 - 16
8	123784X	Fender
9	106202X	Reflector - Rear
10	105801X	Decal
11	17490612	Screw, Hex Washer Thd Roll 3/8-16 x 3/4
12	19131312	Washer 13/32 x 13/16 x 12 Ga
13	STD523707	*Bolt, Hex. 3/8-16 x 3/4
14	105511X	Strap - Fender
15	73220400	Nut, Fin. Hex 1/4 - 20
16	19171912	Washer 17/32 x 1-3/16 x 12 Ga.
17	120684X	Washer, Neoprene
18	121246X	Bracket, Switch - Seat
19	124181X	Compression - Spring R H
20	105531X	Nut, Push
21	105509X	Bracket - Fender
22	123934X	Scale, Height Indicator
23	106020X	Tank - Fuel
24	123549X	Cap - Fuel
25	123487X	Clamp - Hose
26	8542R	Line - Fuel
27	106082X	Pad - Spacer
28	121277X	Chassis Assembly
29	123785X	Drawbar
30	124118X	Panel - Dash - L H
31	121794X	Cover, Access
32	110828X	Panel - Dash - R H
33	105525X	Bracket - Support - Dash
34	123933X	Pointer, Height Indicator
35	105465X	Footrest - L H
36	105464X	Footrest - R H
37	STD533707	*Bolt, Carr 3/8-16 x 3/4
38	105466X	Pad, Footrest
39	110923X	Bracket - Clutch - Mower
40	3645J	Bushing
41	105567X	Decal - 6 Speed 44"
42	2751R	Clip - Insulated
43	110436X	Grommet, Split
48	109015X	Bracket - Pivot - L H
49	109016X	Bracket - Pivot - R H
50	106013X017	Hood
51	123935X	Plug, Hole
52	73680400	Nut - Crownlock 1/4-20
54	108067X	Pal - Nut
55	105528X	Grill
56	105806X	Decal - Grill
57	105568X	Decal - Stripe

*STANDARD HARDWARE--PURCHASE LOCALLY

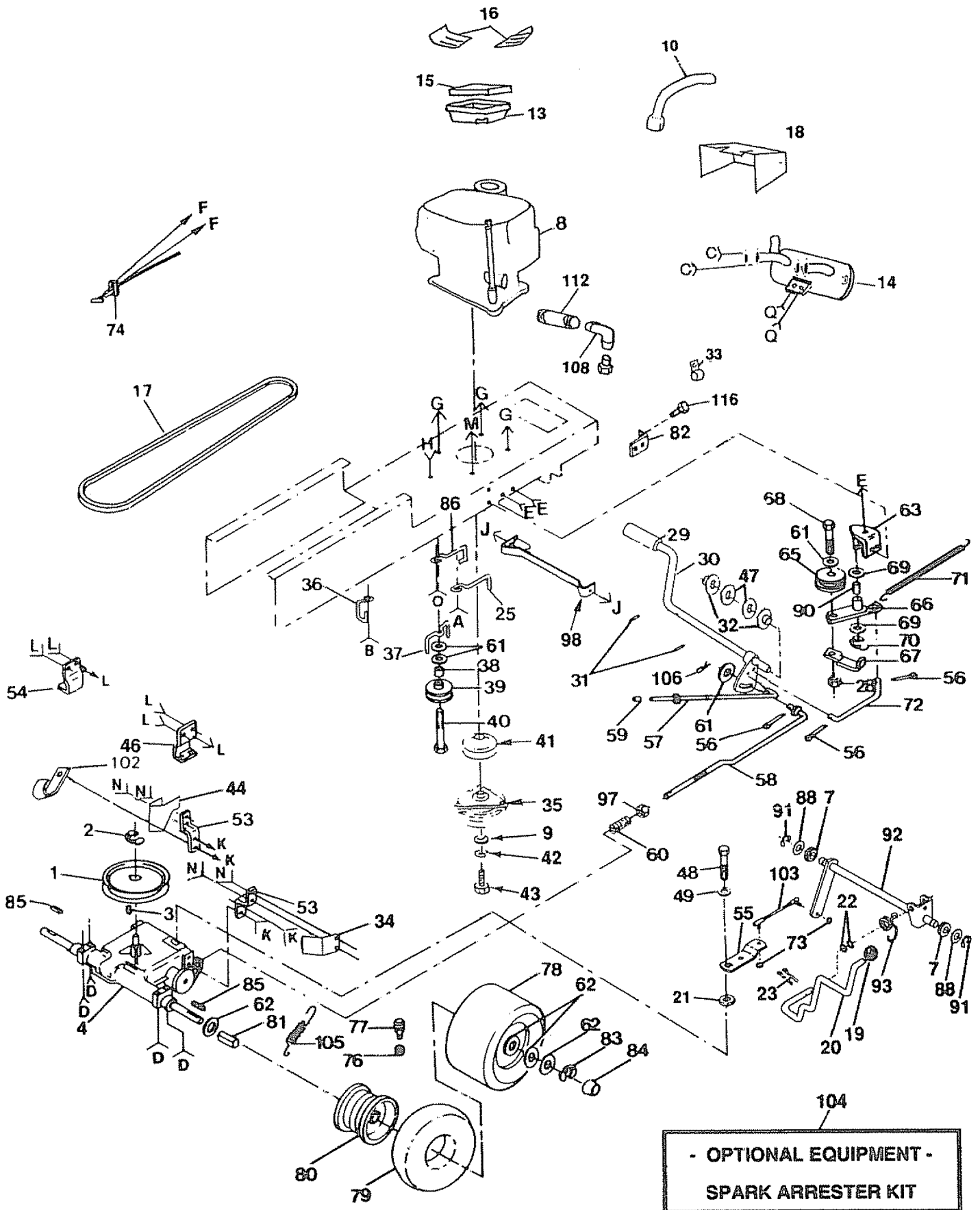
KEY NO.	PART NO.	DESCRIPTION
58	121248X	Bushing, Snap
59	121249X	Spacer, Split
60	121250X	Spring, Compression
61	108403X	Panel - Side - R H
62	108410X	Panel - Side - L H
63	126432X	Hinge R H
64	126431X	Hinge L H
66	106003X	Lens R H
67	106004X	Lens L H
68	110897X	Bezel - Headlight
70	108512X	Bracket - Pivot R H
71	108513X	Bracket - Pivot L H
72	4900J	Decal - Clutch Brake
73	109199X	Decal - Drive Belt
74	74760612	Bolt - Hex 3 8 16 x 3/4
75	8710J	Stem - Tank Fuel
76	110350X	Strap Assembly Grill
79	11050600	Washer Lock Ext Tooth 3/8
80	106813X	Decal - Stripe Side Panel L H
81	106814X	Decal - Stripe Side Panel R H
82	106974X	Decal Caution
83	17490608	Bolt, Hex Washer Thread Rolling 3/8 - 16 X 1/2
85	19131614	Washer 13 32 x 1 x 14 Ga
86	19060718	Washer 3/16 x 7/16 x 18 Ga.
87	106909X	Screw - Special
88	106910X	Washer
89	108402X	U-Clip
90	121251X	Strip, Foam
91	72170410	Bolt, Carr. 1/4 - 20 x 1-1/4
92	120068X	Knob, Seat
93	121144X	Shoulder Bolt
94	5320R	Clip - Insulated
95	123976X	Nut, Hex Large Flange
96	74641008	Screw - Sld Pan Head #10 - 24 x 1/4
97	73951000	Nut, Keps #10 - 24
98	4171R	Clip, Insulated
99	123825X	Console, Shifter
101	126313X	Decal, Hood
102	10100800	Washer, Lock
103	74640806	Screw #8 x 3/8
104	74780516	Bolt, Hex 5/16 - 18 UNC x 1
105	19112410	Washer 11/32 x 1 1/2 x 10 Ga.
106	10040500	Washer, Lock
107	120529X	Washer, Nylon
108	9151R	Grommet
109	120579X	Pal Nut
110	750211	Decal, U.S.A.



REPAIR PARTS

20 H.P. GARDEN TRACTOR - MODEL NUMBER 917.254460 AND 917.250040

DRIVE



REPAIR PARTS

20 H.P. GARDEN TRACTOR - MODEL NUMBER 917.254460 AND 917.250040

DRIVE

KEY PART NO. NO.

DESCRIPTION

KEY PART NO. NO.

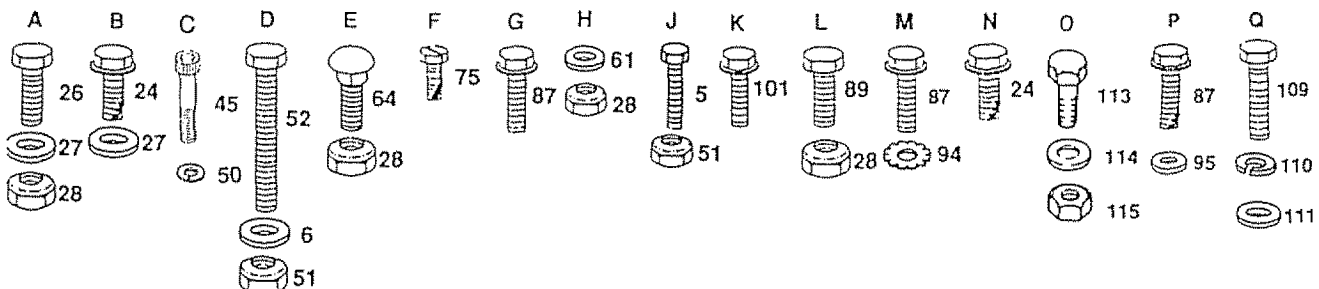
DESCRIPTION

1	121327X	Pulley, Transaxle (Driven)
2	12000004	Ring, Retainer
3	2228M	Key, Woodruff #9
4	123797X	Transaxle, 6-Speed, Peerless Model No. 143.820-016
5	STD533107	Bolt, Hex 5/16 - 18 x 3/4
6	19111214	Washer 11/32 x 3/4 x 14 Ga.
7	71208	Bushing, Rod, Steering
8	125605X	Engine, 20 HP Kohler Model No. MV20S. Spec. No. 57517
9	126197X	Washer 15/32 x 1 - 3/4 x 1/4
10	125893X	Tube Assembly, Exhaust
13	125762X	Duct, Air, Kohler
14	125890X	Muffler
15	123537X	Foam, Strip
16	120511X	Bracket, Air Duct
17	123796X	V-Belt, Drive
18	125891X	Shield, Heat Kohler Vertical Twin
19	106933X	Knob
20	123781X	Rod, Shifter
21	105701X	Washer, Shift Plate
22	19171216	Washer 17/32 x 3/4 x 16 Ga.
23	STD561210	Pin, Cotter 1/8 x 1
24	17490612	Screw, Hex Washer Hd. Thd Roll 3/8 - 16 x 3/4
25	105730X	Keeper, Belt, Engine
26	STD523710	Bolt, Hex 3/8 - 16 x 1
27	19131312	Washer 13/32 x 13/16 x 12 Ga.
28	STD541437	Locknut 3/8 - 16
29	8883R	Cover, Foot Pedal
30	122424X	Shaft, Foot Pedal
31	1572H	Pin, Roll 3/16 x 1
32	120813X	Bearing, Nylon
33	122758X	Clamp, Muffler
34	123792X	Keeper, Belt, Transaxle, R.H.
35	124648X	Clutch, Electric
36	123788X	Retainer, Belt
37	109070X	Keeper, Belt
38	4470J	Spacer
39	123674X	Idler, Flat
40	STD523727	Bolt, Hex 3/8 - 16 x 2 - 3/4
41	124647X	Pulley, Engine
42	STD551143	Washer, Lock 7/16
43	74610764	Bolt, Hex 7/16 - 20 x 4
44	123791X	Keeper, Belt, Transaxle, L.H.
45	74570512	Screw, Hex Socket 5/16 - 16 X 12 Ga.
46	123776X	Bracket, Transaxle, R.H.
47	19211616	Washer 21/32 x 1 x 16 Ga.
48	71040412	Bolt, Hex 1/4 - 28 x 3/4
49	STD551025	Washer 9/32 x 3/4 x 16 Ga.
50	STD551131	Washer, Lock Hvy. Helical Spring
51	STD541431	Locknut 5/16 - 18
52	74780544	Bolt, Hex 5/16 - 18 x 2 - 3/4
53	123787X	Strap, Torque
54	123780X	Bracket, Transaxle, L.H.
55	123794X	Shift Arm
56	STD561210	Pin, Cotter 1/8 x 3/4
57	125637X	Rod, Brake, Park
58	123786X	Rod, Brake
59	124236X	Cap, Plunger
60	106888X	Spring, Rod, Brake

61	STD551037	Washer 13/32 x 13/16 x 16 Ga.
62	123800X	Washer 1-1/32 x 1 - 5/8 x 16 Ga.
63	123102X	Bracket, Clutch
64	STD533707	Bolt, Carriage 3/8 - 16 x 3/4
65	123766X	Pulley, Idler
66	123789X	Arm, Idler
67	123205X	Retainer, Belt
68	STD523715	Bolt, Hex 3/8 - 16 x 1-1/2
69	110812X	Washer, Hardened
70	12000039	Ring, Clip
71	105709X	Spring, Return, Clutch
72	105710X	Link, Clutch
73	73530400	Nut 1/4 - 28
74	125726X	Control, Throttle
75	17720410	Screw, Hex, Thread Cutting 1/4 - 20 x 5/8
76	59192	Cap, Valve
77	65139	Stem, Valve
78	124106X	Tire, Rear
79	7154J	Tube (Not furnished with Tractor)
80	124074X	Rim
81	108097X	Spacer, Split
82	108236X	Bracket, Switch
83	12000053	E-Ring
84	104757X	Cap Hub, Rear
85	9396E	Key Square 1/4 x 2
86	121218X	Keeper, Belt, Engine
87	125991X	Screw, Self Tapping Rolling 3/8 - 16 x 1-1/2
88	19212016	Washer 21/32 x 1 - 1/4 x 16 Ga.
89	STD523707	Bolt Hex 3/8 - 16 x 3/4
90	105706X	Bearing
91	12000008	Ring, Klip
92	123772X	Shaft Assembly, Shifter
93	123782X	Spring, Torsion
94	STD551237	Washer, Lock, Ext. Tooth 3/8
95	19060916	Washer
97	STD541437	Locknut 3/8 - 16
98	109169X	Retainer Assembly, Clutch
101	17490512	Screw, Hex, Washer, Thd Rolling 5/16 - 18 x 3/4
102	2751R	Clip, Fuel Line
103	123793X	Rod, Tie
104	126621X	Spark Arrester Kit
105	110422X	Spring, Brake Return
106	4497H	Clip, Hair Pin
108	13280336	Nipple, Pipe
109	STD512505	Bolt, Hex 1/4 - 20 x 1/2
110	STD551131	Washer, Lock 1/4
111	STD551025	Washer 9/32 x 3/4 x 16 Ga.
112	13200300	Elbow, Pipe STD 90°
113	74760516	Bolt, Hex 5/16 - 18 UNC x 1
114	19111212	Washer 11/32 x 3/4 x 12 Ga.
115	STD541431	Nut, Crownlock 5/16 - 18
116	STD601005	Screw, Tap Hex Hd #10 - 24 x 1/2

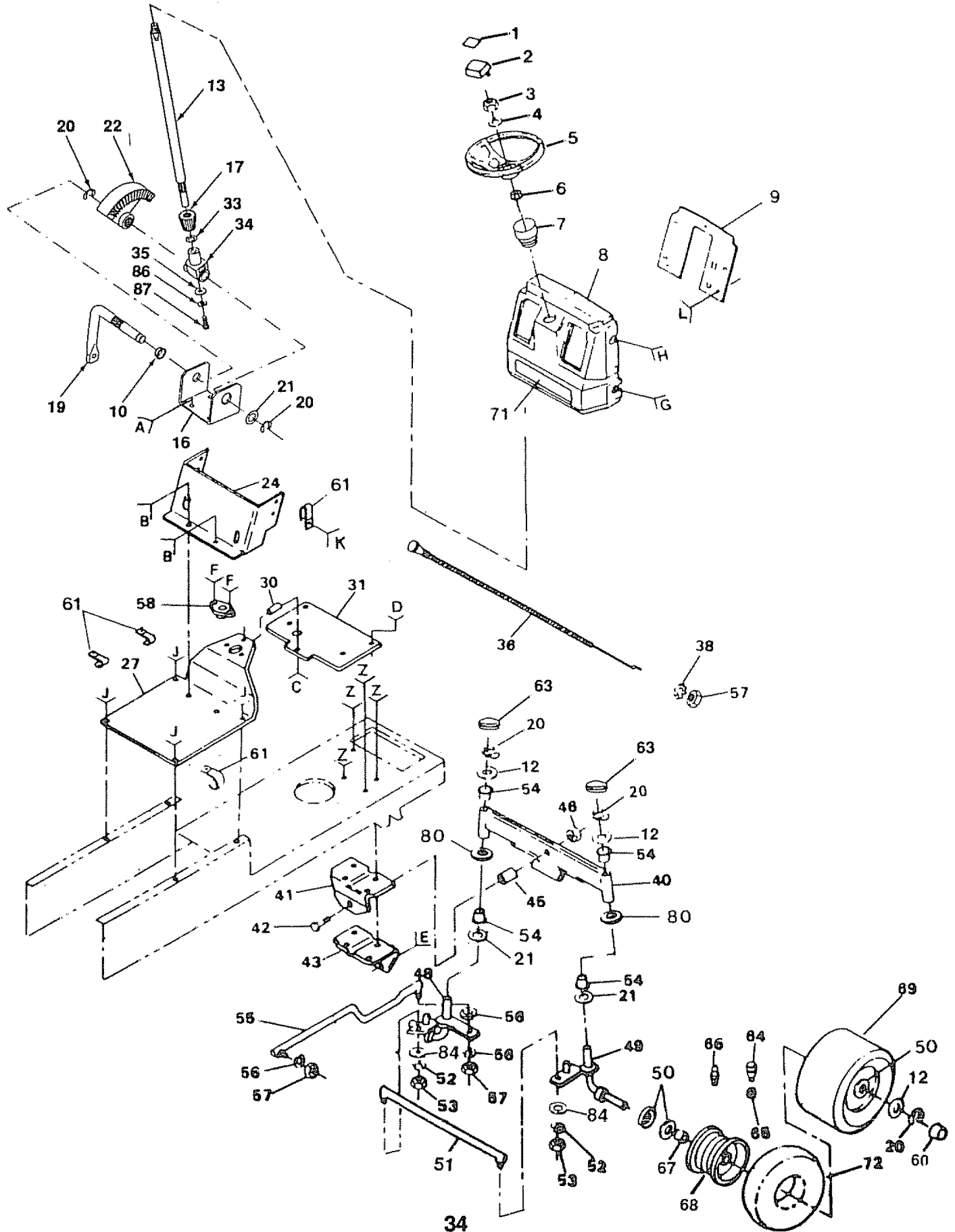
* STANDARD HARDWARE—PURCHASE LOCALLY

NOTE: All component dimensions given in U.S. inches - 1 inch = 25.4 mm



REPAIR PARTS

20 H.P. GARDEN TRACTOR - MODEL NUMBER 917.254460 AND 917.250040
STEERING ASSEMBLY



REPAIR PARTS

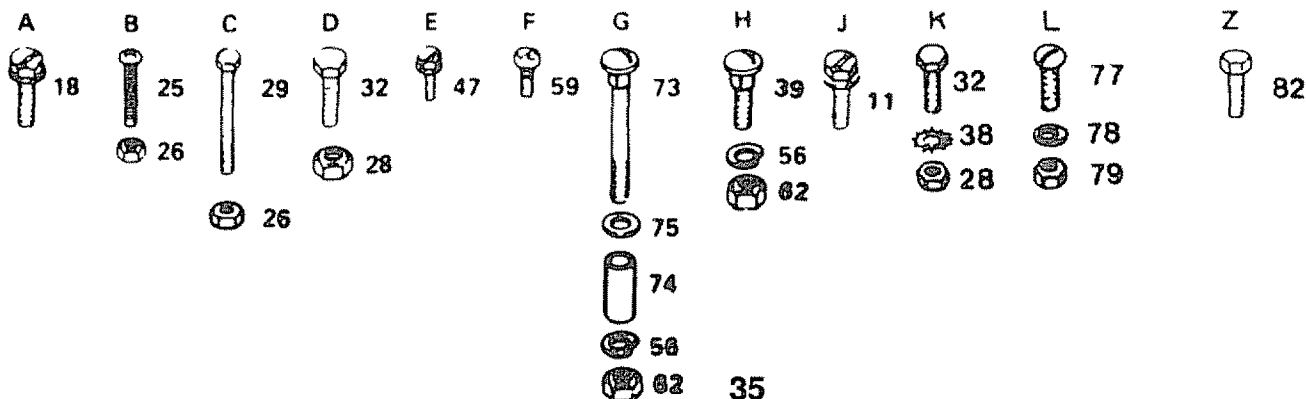
20 H.P. GARDEN TRACTOR - MODEL NUMBER 917.254460 AND 917.250040

STEERING ASSEMBLY

KEY NO.	PART NO.	DESCRIPTION	KEY NO.	PART NO.	DESCRIPTION
1	105810X	Decal - Cap Steering Wheel	46	73901000	Nut, Lock, Flange 5/8-11
2	100710L	Insert, Steering Wheel	47	17490508	Screw, Hex Washer Thd. Rolling 5/16-18 x 1/2
3	73940800	*Nut Top Lock 1/2 - 20UNF	48	105656X	Spindle, L H.
4	100712K	Washer	49	105654X	Spindle, R H.
5	121021X	Wheel, Steering	50	121749X	Washer 25/32 x 1-1/4 x 16 Ga
6	100711L	*Adapter - Steering Wheel	51	121334X	Rod, Tie
7	110709X	Column - Steering	52	STD551131	*Washer, Lock 5/16
8	120028X	Dash	53	STD541131	*Nut, Hex 5/16-24
9	124557X 011	Dash Plate	54	3366R	Bearing
10	109816X	Nyliner, Snap-In	55	124032X	Link, Drag
11	17490608	Screw, Hex Washer Thd. Rolling 3/8-16 x 1/2	56	STD551137	*Washer, Lock 3/8
12	121748X	Washer 25/32 x 1-5/8 x 16 Ga	57	STD541137	*Nut, Hex 3/8-24
13	124041X	Shaft, Steering	58	1554J	Bushing, Steering
16	124036X	Bracket, Steering	59	17431008	Screw, Hex No 10-16 x 1/2
17	124037X	Gear, Pinion	60	104757X	Cap, Hub, Front
18	17490612	Screw, Hex Washer Thd. Rolling 3/8-16 x 3/4	61	2751R	Clip, Fuel Line
19	124033X	Shaft, Pitman	62	STD541037	*Nut, Hex 3/8-16
20	12000029	Klip Ring	63	121232X	Spindle, Cap
21	6266H	Bearing, Thrust	64	59192	Cap, Valve
22	124034X	Gear, Sector	65	65139	Stem, Valve
24	105518X	Dash, Lower	66	278H	Fitting, Grease
25	74180512	Screw, Crown Truss Hd 5/16-18 x 3/4	67	9040H	Bearing
26	73680500	Nut, Lock 5/16-18	68	106732X	Rim, 6" Front
27	123783X 012	Saddle	69	106222X	Tire, Front
28	73680600	Nut, Lock 3/8-16	71	108456X	Decal, Instructions, Operating
29	STD523120	*Bolt, Hex 5/16-18 x 2	72	59904	Tube, Tire, Front
30	121236X	Spacer	73	72110622	Bolt, Carriage Hex 3/8-16 x 2-3/4
31	106001X	Support Plate, Battery	74	121235X	Spacer
32	STD523707	*Bolt, Hex 3/8-16 x 3/4	75	19131416	Washer 13/32 x 7/8 x 16 Ga
33	57079	Washer	77	STD512507	*Screw, Pan Head 1/4-20 x 3/4
34	124035X	Shaft, Support	78	19091216	Washer 13/32 x 3/4 x 16 Ga
35	126684X	Washer 5/8 x 1/4 x 16 Ga.	79	73510400	Nut, Keps 1/4 NC
36	125727X	Control, Choke	80	19272016	Washer 27/32 x 1-1/4 x 16 Ga
38	11050600	Washer, Lock, Int /Ext Tooth 3/8	82	122819X	Screw, Special 3/8 - 16 x 3/4
39	72110608	Bolt, Carriage	84	19111216	Washer 11/32 x 3/4 x 16 Ga
40	108075X	Axle, Front	86	STD551125	Lockwasher 1/4
41	105663X	Support, Saddle, Rear	87	71070410	Screw, Socket Hex 1/4 x 20 x 5/8
42	74761060	Bolt, Hex 5/8-11 x 3-3/4			
43	105664X	Support, Saddle, Front			
45	110438X	Spacer Bearing, Front Axle			

*STANDARD HARDWARE -- PURCHASE LOCALLY

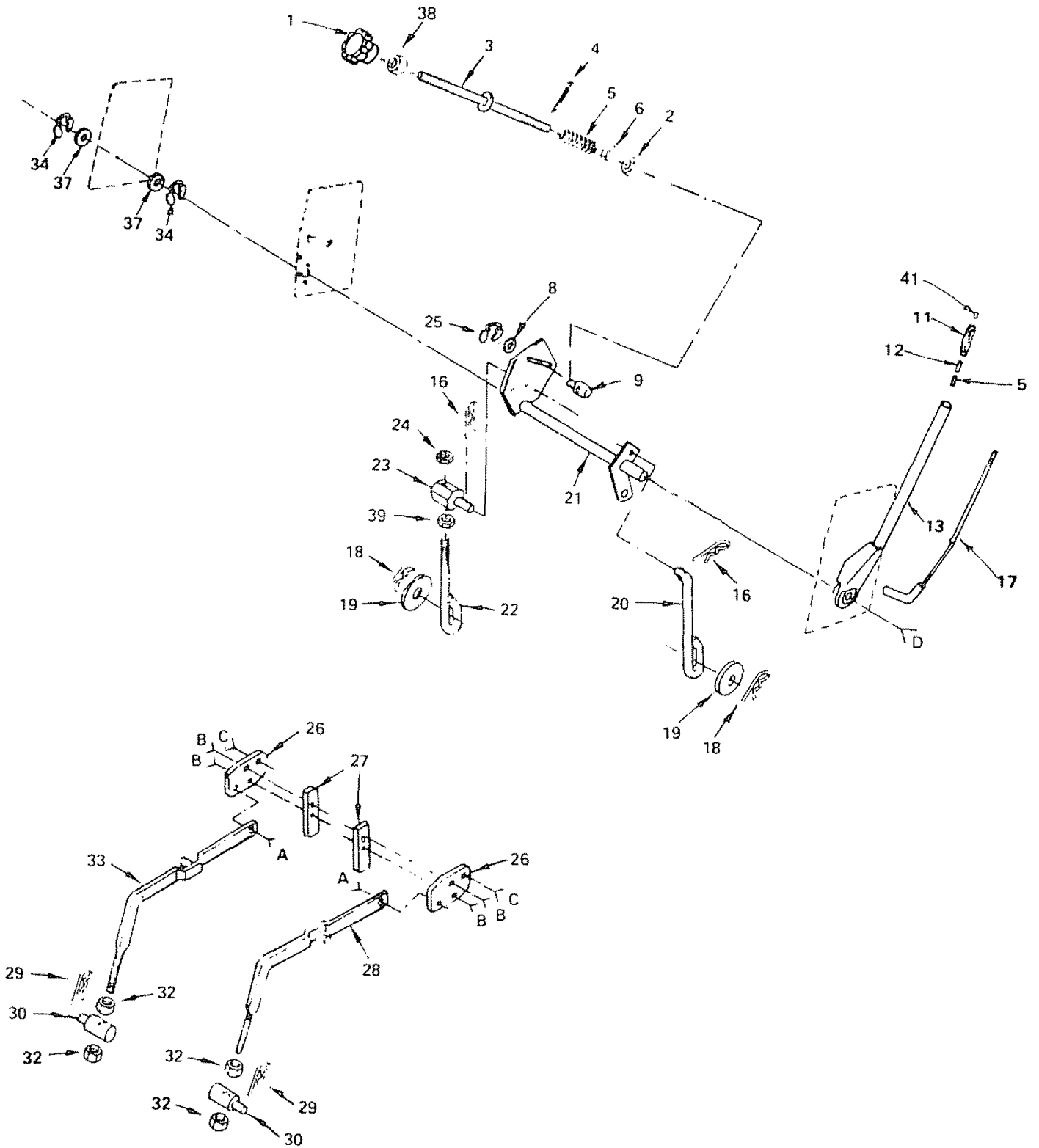
NOTE: All component dimensions given in U.S. inches -
1 inch = 25.4 mm



REPAIR PARTS

20 H.P. GARDEN TRACTOR - MODEL NUMBER 917.254460 AND 917.250040

LIFT ADJUSTMENT



REPAIR PARTS

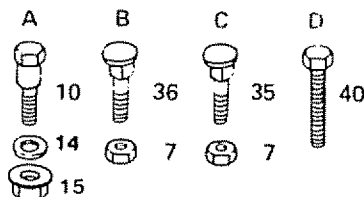
20 H.P. GARDEN TRACTOR - MODEL NUMBER 917.254460 AND 917.250040

LIFT ADJUSTMENT

KEY PART NO. NO.	DESCRIPTION	KEY PART NO. NO.	DESCRIPTION
1 100734K	Knob, Height Adjustment	21 124516X	Shaft - Lift
2 110807X	Nut Hex Special	22 110448X	Link - Lift, Adjust
3 110729X	Rod - Adjust - Lift	23 110447X	Trunnion - Lift
4 STD560907 *	Pin - Cotter 3/32 x 1/2	24 73710700	Nut Lock 7/16 - 20 UNF
5 2876H	Spring	25 12000037	Klip Ring
6 19131016	Washer 13/32 x 5/8 x 16 Ga.	26 105864X	Bracket - Suspension
7 STD541437 *	Nut - Lock 3/8 - 16	27 121252X	Upstop Mower
8 19151216	Washer 15/32 x 3/4 x 16 Ga.	28 121598X	Arm - Suspension - R.H.
9 110810X	Trunnion	29 9135R	Retainer Spring
10 105848X	Bolt, Shoulder 3/8 - 16	30 106308X	Trunnion - Lift - Lower
11 125631X	Grip- Handle	32 STD541050 *	Nut- Hex Fin. 1/2 - 13
12 122364X	Plunger - Lever	33 121599X	Arm - Suspension - L.H.
13 121004X	Lever - Lift (Includes Key No. 17)	34 12000022	E-Ring
14 110739X	Spring Washer	35 STD533710 *	Bolt - Carriage 3/8 - 16 x 1
15 73980600	Center Lock Flangenut 3/8 x 16	36 STD533707 *	Bolt Carriage 3/8 - 16 x 3/4
16 4939M	Retainer - Spring	37 19292016	Washer 29/32 x 1 - 1/4 x 16 Ga.
17 121006X	Rod - Lever	38 STD541237 *	Nut., Hex Jam 3/8 - 16
18 4921H	Retainer - Spring	39 STD541343 *	Nut - Hex Jam 7/16-20
19 19171516	Washer 17/32 x 15/16 x 16 Ga.	40 74780624	Bolt - Hex 3/8 - 16 x 1 - 1/2
20 110029X	Link - Lift	41 122365X	Button - Plunger

*STANDARD HARDWARE—PURCHASE LOCALLY

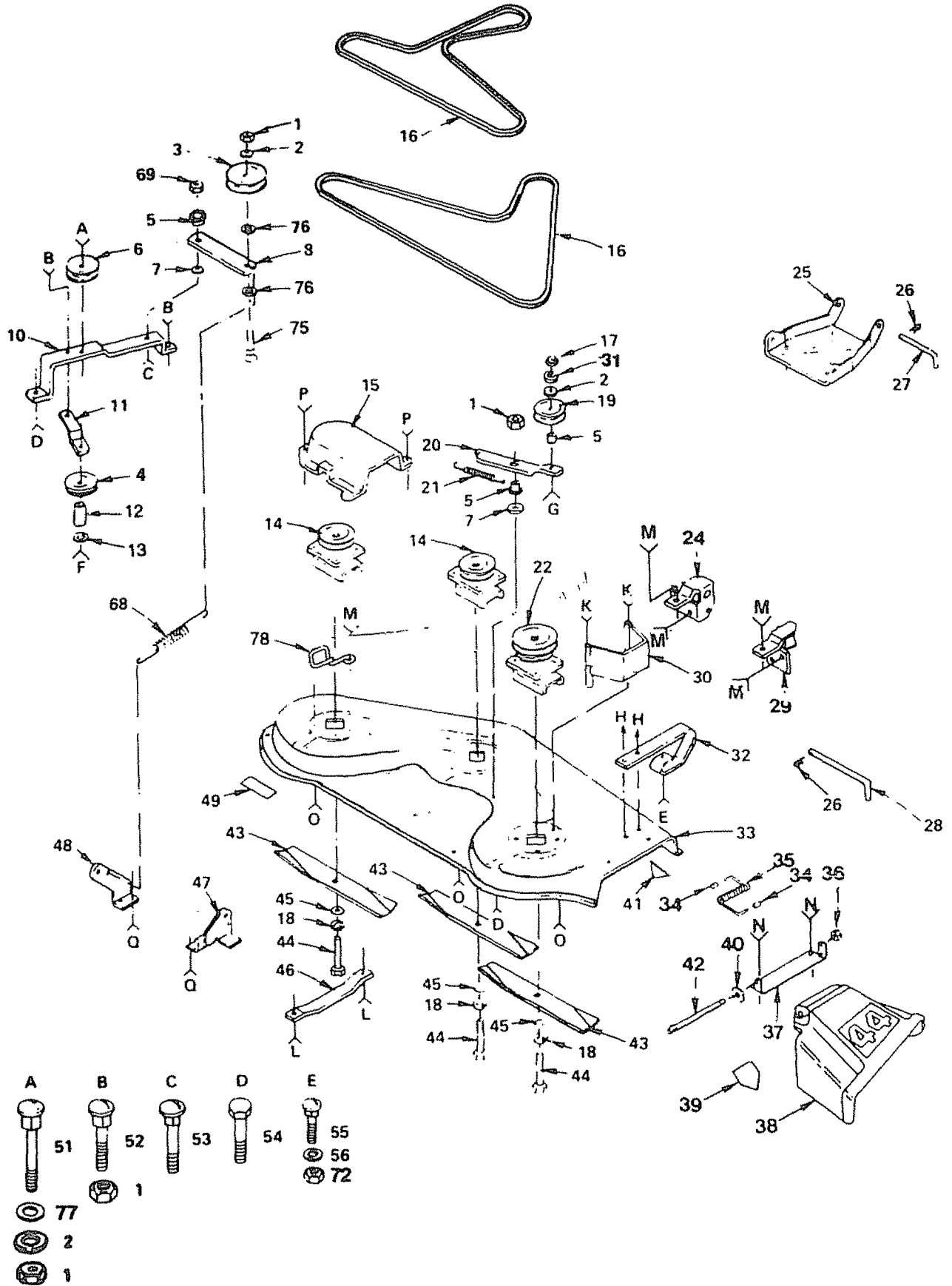
NOTE: All component dimensions given in U.S. inches -
1 inch = 25.4 mm



REPAIR PARTS

20 H.P. GARDEN TRACTOR - MODEL NUMBER 917.254460

MOWER



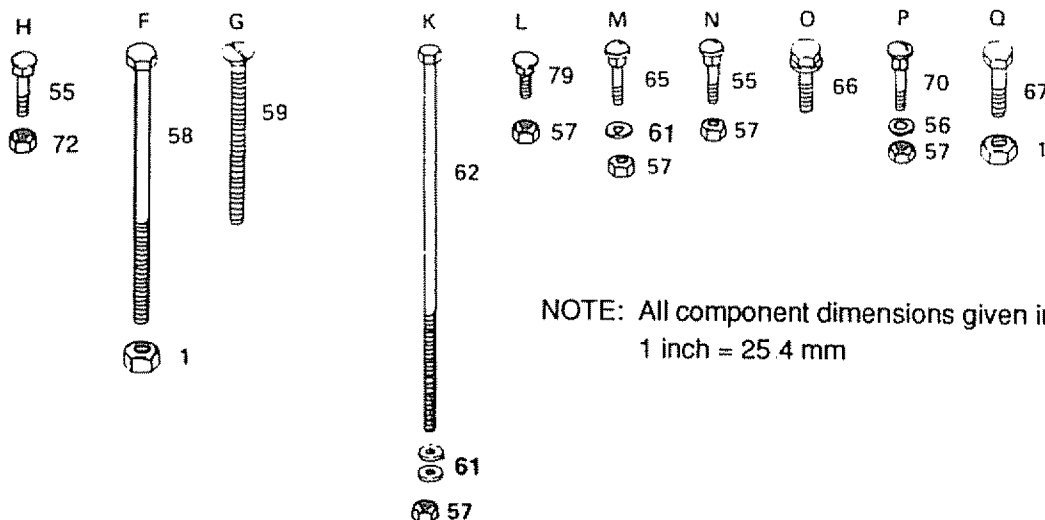
REPAIR PARTS

20 H.P. GARDEN TRACTOR - MODEL NUMBER 917.254460

MOWER

KEY PART NO. NO.	DESCRIPTION	KEY PART NO. NO.	DESCRIPTION
1	STD541437 * Nut - Lock 3/8 - 16	40	19111016 Washer 11/32 x 5/8 x 16 Ga.
2	19131614 Washer 13/32 x 1 x 14 Ga.	41	Decal OPEI (not serviced)
3	121316X Pulley Idler	42	106735X Rod Hinge
4	102403X Pulley, Idler	43	106635X Blade
5	106902X Spacer	44	STD623715 * Bolt- Hex 3/8 - 24 x 1- 1/2 Gr. 5
6	677A451 Pulley Idler	45	19132012 Washer 13/32 x 1-1/4 x 12 Ga.
7	106513X Washer - Wear	46	7631J Runner - L.H.
8	121425X Arm - Idler	47	123807X Bracket Suspension, Rear-R.H.
10	106523X Bar Support - Idler	48	123808X Bracket - Suspension, Rear-L.H.
11	106522X Brace - Idler - Deck	49	106223X Decal- V-Belt - Schematic
12	121236X Spacer	51	STD533717 * Bolt - Carriage 3/8 - 16 x 1 - 3/4
13	STD551037 * Washer, 13/32 X 13/16 X 16 Ga.	52	STD533710 * Bolt - Carriage 3/8 - 16 x 1
14	121658X Mandrel - Secondary	53	STD533715 * Bolt - Carriage 3/8 16 x 1-1/2
15	106214X Guard	54	STD523712 * Bolt - Hex 3/8 - 16 x 1 - 1/4
16	106085X V Belt	55	STD533107 * Bolt - Carriage 5/16- 18 x 3,4
17	STD541037 * Nut, Hex 3/8 - 16	56	STD551031 * Washer 11/32 x 11/16x 16 Ga.
18	STD551137 * Washer - Lock 3/8	57	STD541431 * Nut - Lock 5/16- 18
19	102932X Idler - Flat	58	STD523730 * Bolt - Hex 3/8 - 16 x 3
20	106526X Arm - Idler - Deck	59	74110632 Screw - Flat Head 3/8 - 16 x 2
21	7644J Spring- Extension	61	19111216 Washer 11/32 x 3/4x 16 Ga.
22	121705X Mandrel - Primary	62	STD523150 * Bolt - Hex 5/16 18 x 5
24	106511X Bracket Lift L.H.	65	STD533107 * Bolt - Carriage 5/16 - 18 x 5/8 UNC x 3/4
25	105662X Link Parallel	66	17490612 Screw - Hex Washer Thread Rolling 3/8 16 x 3/4
26	4921H Retainer - Spring	67	STD533707 * Bolt - Carriage 3/8 - 16 x 3/4
27	105744X Pln, Front Hinge	68	102727X Spring - Extension
28	109835X Pin, Rear Hinge	69	STD541437 * Nut - Centerlock 3/8 - 16
29	106512X Bracket Lift - R.H.	70	STD533107 * Bolt - Carriage 5/16 - 18 x 3/4
30	108119X Guard Belt - R.H.	72	1685H Nut - Lock 5/16 - 18
31	10040600 Washer, Lock Hvy. Hel. Spring	75	72140620 Bolt, Carriage 3/8 - 16 X 2 1/2
32	8418J Runner - R. H.	76	19131210 Washer 13/32 x 3/4 x 10 Ga.
33	121423X Housing - Mower	77	STD533106 Washer, 13/32 X 7/8 X 10 Ga.
34	105304X Cap Sleeve	78	121352X Keeper - L.H. Mandrel
35	106734X Spring	79	72110505 * Bolt - Carriage 5/16 - 18 X 5/8
36	110452X Nut . Push	---	125493X Mower Deck, Complete
37	109743X Bracket - Deflector		
38	109785X Guard - Discharge		
39	121343X Decal - Warning		

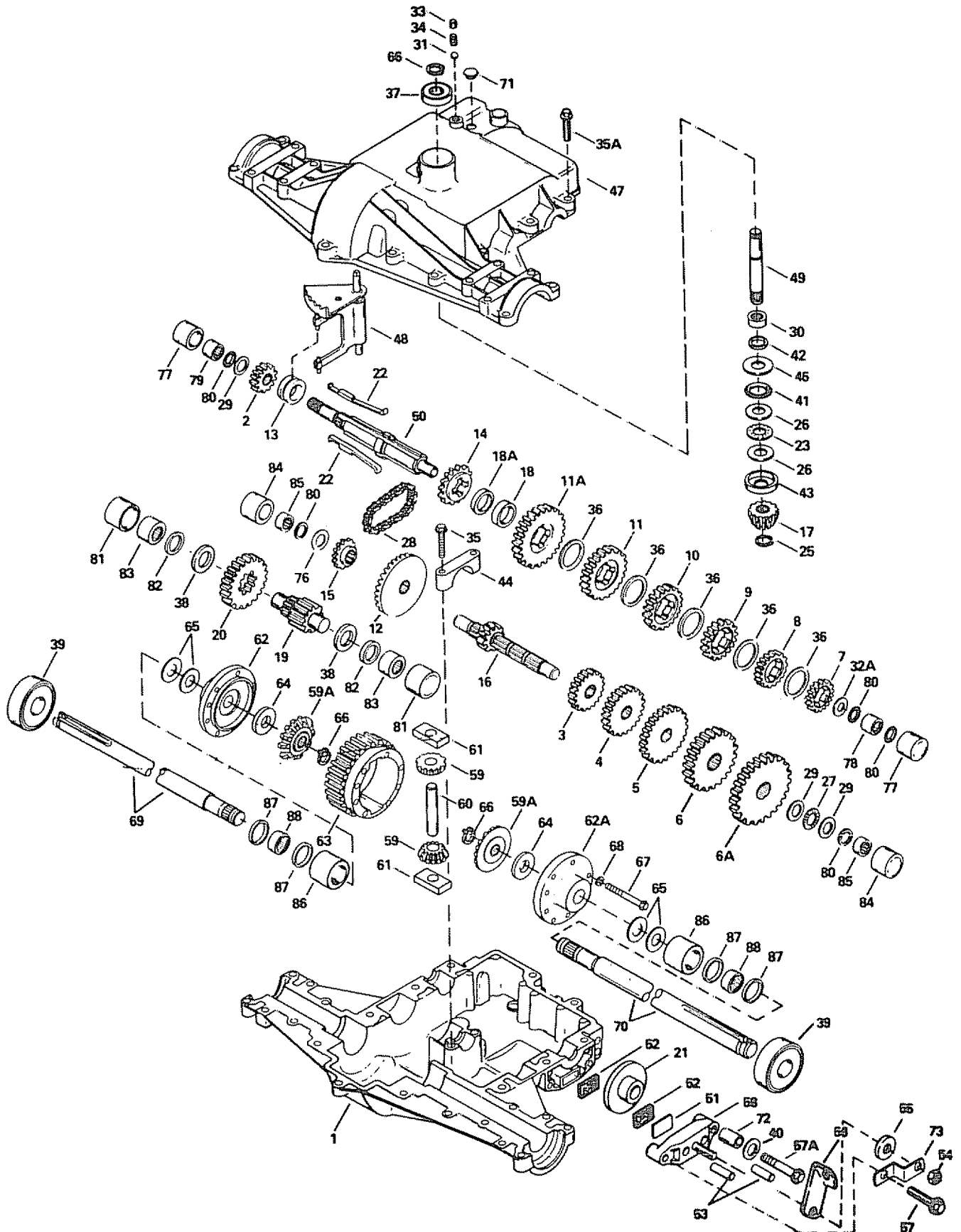
* STANDARD HARDWARE--PURCHASE LOCALLY



NOTE: All component dimensions given in U.S. inches - 1 inch = 25.4 mm

REPAIR PARTS

20 H.P. GARDEN TRACTOR - MODEL NUMBER 917.254460 AND 917.250040
 TRANSAXLE PEERLESS - - MODEL NUMBER 143-820-016



REPAIR PARTS

20 H.P. GARDEN TRACTOR - MODEL NUMBER 917.254460 AND 917.250040 TRANSAXLE PEERLESS - - MODEL NUMBER 143-820-016

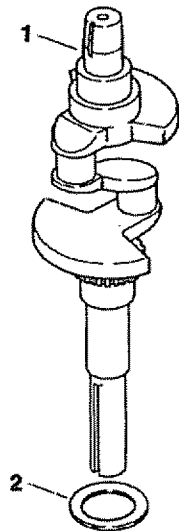
Ref. No.	Part No.	Part Name	Ref. No.	Part No.	Part Name
1	770088	Case, Transaxle	44	786131	Cap, Bearing
2	778253	Gear, Spur (15 teeth)	45	780165	Washer, Flat
3	778211	Gear, Spur (12 teeth)	47	772098	Cover, Transaxle
4	778240	Gear, Spur (18 teeth)	48	784342	Rod & Fork Assy., Shift
5	778201	Gear, Spur (25 teeth)	49	776274	Shaft, Input
6	778202	Gear, Spur (28 teeth)	50	776313	Shaft, Brake (4 Keyed)
6A	778208	Gear, Spur (31 teeth)	51	790007	Plate, Brake pad
7	778209	Gear, Spur (19 teeth)	52	790006	Pad, Brake
8	778203	Gear, Spur (22 teeth)	53	786026	Pin, Dowel
9	778204	Gear, Spur (25 teeth)	54	792075	Locknut, 5/16-24
10	778239	Gear, Spur (32 teeth)	55	792076	Washer, Flat
11	778207	Gear, Spur (37 teeth)	56	790047	Lever, Brake
11A	778216	Gear, Spur (41 teeth)	57	792073	Screw, Flanged hex hd. thread-forming, 1/4-20 x 1-1/4
12	778246	Gear, Bevel (33 teeth)			Screw, Flanged hex hd. thread-forming, 1/4-20 x 2-1/4
13	784216	Collar, Shift	57A	792085	Holder, Brake pad
14	786123	Sprocket (18 teeth)			Pinion, Differential bevel
15	786082	Sprocket (9 teeth)	58	790025	Gear, Bevel
16	776291	Shaft, Counter (w/9 tooth gear)	59	778197	Pin, Drive
17	778245	Bevel Pinion, Input (13 teeth)	59A	778198	Block, Drive
18	786121	Spacer, Natural (.350/ .340 thick)	60	786019	Carrier, Differential (Threaded holes)
18A	786122	Spacer, Natural (.276/ .268 thick)	61	786027	Carrier, Differential
19	776275	Shaft, Output (9 teeth)	62	774833	Gear, Ring (31 teeth)
20	778247	Gear, Output (35 teeth)	62A	774834	Washer
21	790043	Disk, Brake	63	778248	Washer, Thrust
22	792138	Key	64	780107	Ring, Snap
23	780084	Bearing, Thrust	65	780042	Screw, Hex hd., 1/4-20 x 2-1/4
25	788040	Ring, Retaining	66	792018	Lockwasher, 1/4"
26	780051	Washer, Thrust	67	792020	Axle (12-5/16" long)
27	780071	Bearing, Thrust	68	792006	Axle (16-3/16" long)
28	786081	Chain, Roller (No. 41 chain, 24 links)	69	774832	Plug, Hex hd., 9/16-18 thread
29	780072	Washer, Thrust	70	774831	Spacer
30	780155	Bearing, Needle	71	792074	Bracket, Brake lever
31	792077	Ball, Steel	72	786067	Washer
32A	780139	Washer, Thrust	73	786086	Sleeve (stepped)
33	792078	Screw, Set, 3/8-16 x 3/8	76	780153	Bearing, Needle
34	792079	Spring	77	786144	Bearing, Needle (capped)
35	792073	Screw, Flanged hex hd. thread-forming, 1/4-20 x 1-1/4	78	780150	"O" Ring
35A	792129	Screw, Hex hd. threadforming, 5/16-18 x 1-1/4	79	780152	Sleeve (stepped)
			80	792001	Ring, Square cut
36	780108	Washer, Thrust	81	786142	Bearing, Needle (capped)
37	780119	Bearing, Ball	82	788071	Sleeve (stepped)
38	780128	Washer, Thrust	83	780049	Bearing, Needle (capped)
39	780050	Bearing, Ball	84	786143	Sleeve (stepped)
40	792128	Washer, Flat	85	780151	Bearing, Needle (capped)
41	788077	"O" Ring	86	786145	Sleeve (stepped)
42	788042	Seal, Oil	87	788070	Ring, Square cut
43	780166	Washer, Cupped	88	780031	Bearing, Needle

NOTE: All component dimensions given in U.S. inches.
1 inch = 25.4 mm.

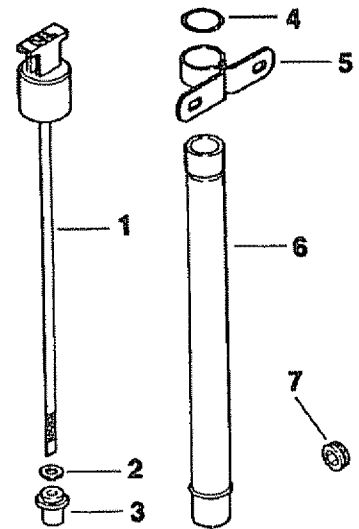
REPAIR PARTS

20 H.P. GARDEN TRACTOR - MODEL NUMBER 917.254460 and 917.250040
ENGINE MODEL NUMBER MV20S, 57517

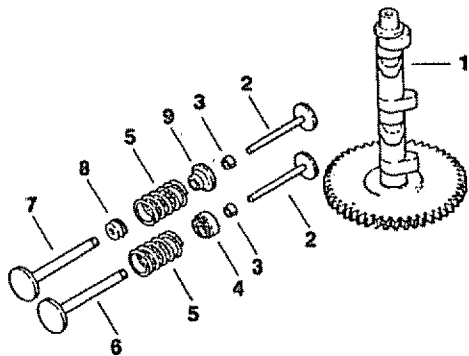
CRANKSHAFT



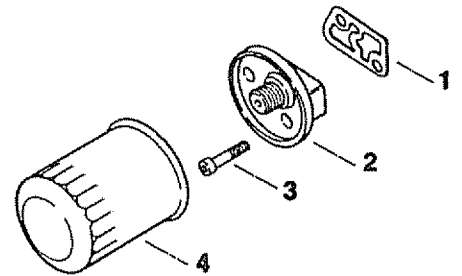
DIPSTICK



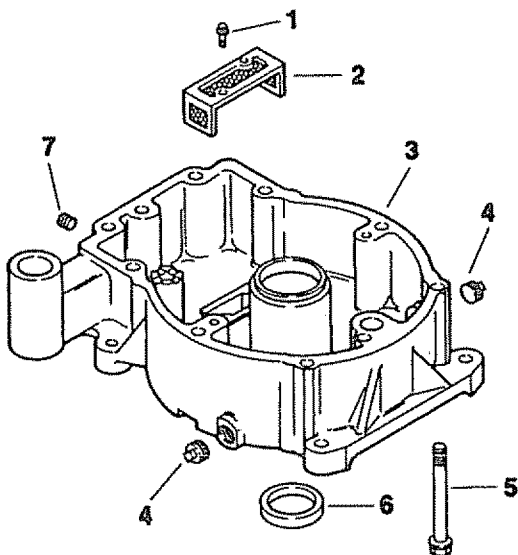
CAMSHAFT AND VALVES



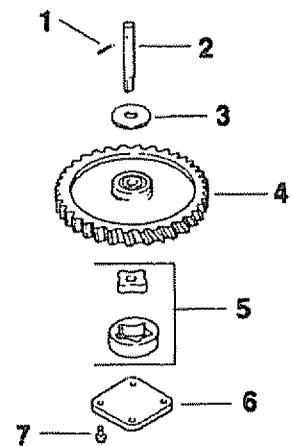
OIL FILTER



OIL PAN



OIL PUMP



REPAIR PARTS

20 H.P. GARDEN TRACTOR - MODEL NUMBER 917.254460 and 917.250040
ENGINE MODEL NUMBER MV20S, 57517

CRANKSHAFT

KEY PART NO.	NO.	DESCRIPTION
1	82 014 07	Crankshaft
2	52 468 03	"Washer, thrust .119/.122 (A.R.)"
	52 468 04	"Washer, thrust .128/.131"
	52 468 05	"Washer, thrust .137/.140 (A.R.)"

OIL FILTER

KEY PART NO.	NO.	DESCRIPTION
1	52 041 16	"Gasket, oil filter"
2	52 181 03	"Adapter, oil filter"
3	X-55-15	"Screw, hex. socket hd 5/16-18x1-1/4 (2)"
4	52 050 02	Oil filter

CAMSHAFT & VALVES

KEY PART NO.	NO.	DESCRIPTION
1	52 012 09	Camshaft
2	52 019 03	Tappet (4)
3	41 755 10	"Kit, retainer (4)"
4	52 413 01	"Rotator, exhaust valve (2)"
5	25 089 01	"Spring, valve (4)"
6	52 016 06	"Valve, exhaust (2)"
7	52 017 07	"Valve, intake (2)"
8	52 032 13	"Seal, intake valve stem (2)"
9	230011	"Retainer, intake valve (2)"

DIPSTICK

KEY PART NO.	NO.	DESCRIPTION
1	52 038 08	"Dipstick 13-1/2"" blade"
2	X-25-44	"Washer, plain 5/16"
3	52 032 14	"Seal, rubber"
4	41 153 01	O-Ring
5	52 126 11	"Bracket, oil tube support"
6	52 123 20	"Tube, oil fill 11-7/8"""
7	47 139 01	"Plug, hex. ctsk. 3/4""N.P.T.F."

OIL PAN

KEY PART NO.	NO.	DESCRIPTION
1	X-67-64	"Screw, hex. wash. hd. 10-32x7/16 (2)"
2	52 050 03	"Filter, oil pickup"
3	52 199 03	Oil pan
4	X-75-10	"Plug, sq. hd. 3/8 N.P.T.F. (2)"
5	52 086 12	"Screw, hex. wash. hd. 5/16-18x1-1/4 (9)"
6	52 032 10	"Seal, rear oil"

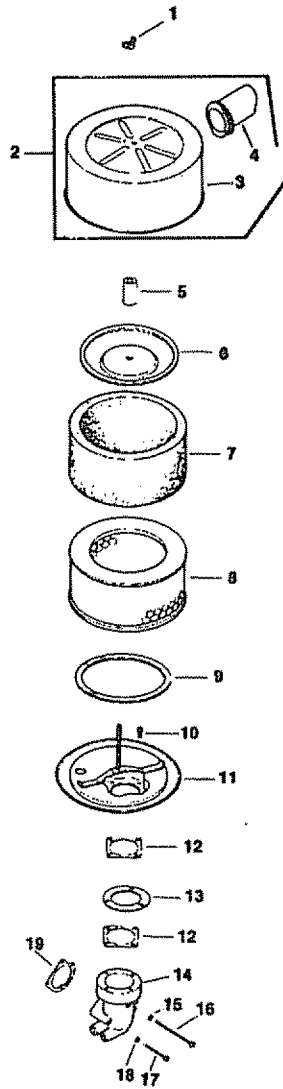
OIL PUMP

KEY PART NO.	NO.	DESCRIPTION
1	X-280-25	"Pin, roll"
2	52 144 05	"Shaft, oil pump"
3	52 422 01	"Spacer, shim (A.R. max. 2)"
4	52 043 05	"Gear, oil pump"
5	52 393 09	Rotor set
6	52 096 03	"Cover, oil pump"
7	X-67-64	"Screw, hex. wash. hd. 10-32x7/16 (4)"

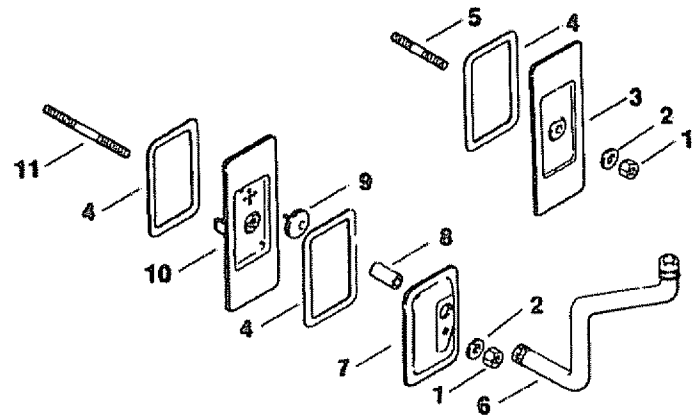
REPAIR PARTS

20 H.P. GARDEN TRACTOR - MODEL NUMBER 917.254460 and 917.250040
ENGINE MODEL NUMBER MV20S, 57517

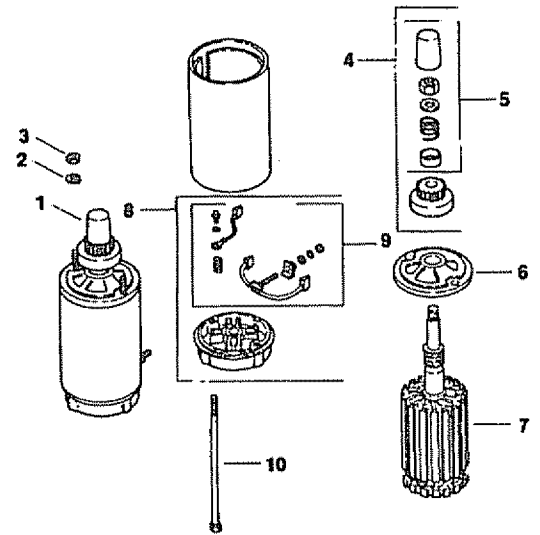
AIR INTAKE



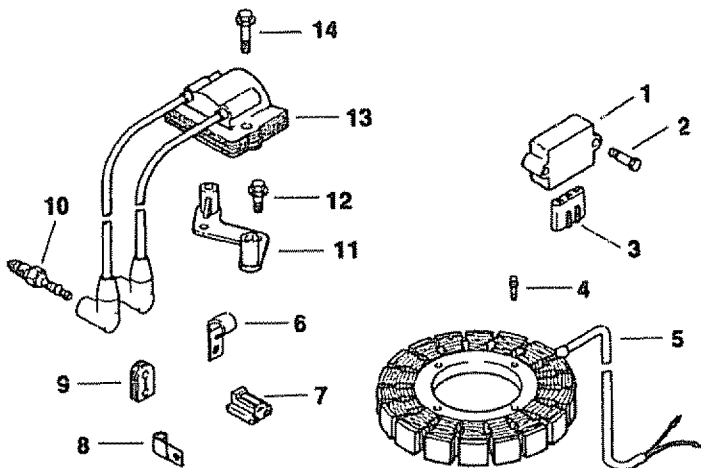
BREATHER & VENT



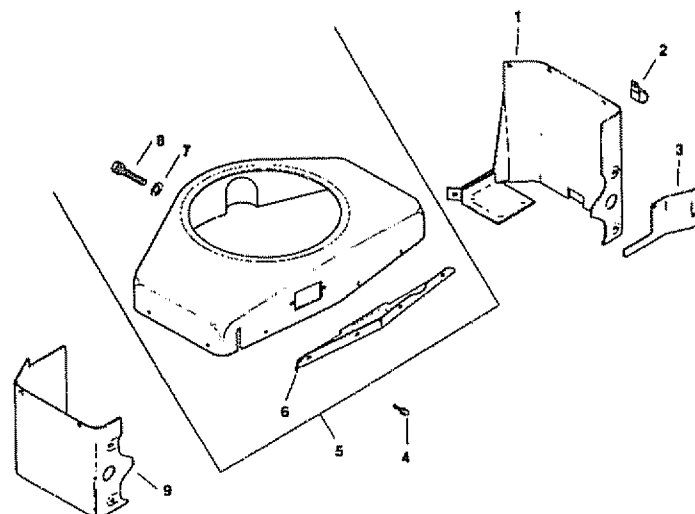
ELECTRIC START



IGNITION



BAFFLES & SHROUD



REPAIR PARTS

20 H.P. GARDEN TRACTOR - MODEL NUMBER 917.254460 and 917.250040
ENGINE MODEL NUMBER MV20S, 57517

AIR INTAKE

KEY PART NO.	PART NO.	DESCRIPTION
1	X-276-7	Wing nut 1/4-20
2	52 755 83	"Kit, cover & tube (Includes 3,4 & decal 52 113 30)"
3	52 755 83	"Cover, air cleaner"
4	52 123 21	"Tube, air intake"
5	231032	"Seal, element cover"
6	52 082 04	"Cover, air cleaner element"
7	45 083 01	Precleaner
8	45 083 02	Element
9	237423	"Seal, air cleaner cover"
10	X-67-98	"Screw, hex. wash. hd. 10-32 x 9/16 (4)"
11	52 201 06	"Base, air cleaner"
12	277093	"Gasket, air cleaner (2)"
13	52 112 11	Spacer
14	52 054 34	"Elbow, air intake"
15	X-22-9	"Washer, I.T. #10 (2)"
16	X-50-57	"Screw, sltd. pan hd. 10-32 x 1-3/4 (2)"
17	X-50-37	"Screw, sltd. pan hd. 10-32 x 2-1/4 "
18	X-25-79	"Washer, plain #10"
19	277069	"Gasket, elbow"
—	25 113 07	"Decal, air cleaner"

IGNITION

KEY PART NO.	PART NO.	DESCRIPTION
1	25 755 03	"Kit, rectifier-regulator (Includes 2)"
2	X-132-5	"Screw, H.C. 1/4-20xS/8 (2)"
3	236602	Connector
4	X-67-51	"Screw, H.C. 10-24x3/4 (4)"
5	237878	"Kit, stator"
6	210281	Clip
7	236473	Connector
8	48 154 01	Clamp
9	52 313 02	Grommet
10	51 132 02	Spark plug (2)
11	52 126 08	"Bracket, module"
12	25 086 16	"Screw, hex. wash. hd. 1/4-20x7/8 (2)"
13	52 584 02	"Module, ignition"
14	25 086 15	"Screw, hex. wash. hd. 1/4-20xl (2)"
—	47 518 33	"Lead, violet, rectifier-reg. (11" - 14 gauge - uninsulated push on tab terminals)"
—	52 518 17	"Lead, white, module to connector (12-1/2" - 18 gauge - insulated push on tab and uninsulated push on tab terminals)"

BREATHER & VENT

KEY PART NO.	PART NO.	DESCRIPTION
1	X-81-1	"Nut, hex. 1/4-20 (2)"
2	X-25-12	"Washer, plain 1/4 (2)"
3	52 096 18	"Cover, #2 cylinder valve"
4	52 055 01	"Gasket, cover (3)"
5	X-352-39	"Stud, #2 cylinder valve cover 1/4-20x2-1/4"
6	52 326 12	"Hose, breather"
7	52 096 08	"Cover, #1 upper cyl. valve"
8	52 032 04	"Seal, breather"
9	52 462 01	"Valve, umbrella"
10	52 096 22	"Cover, #1 lower cyl. valve"
11	275220	"Stud, #1 cylinder valve cover 1/4-20x3-1/4"

ELECTRIC START

KEY PART NO.	PART NO.	DESCRIPTION
1	52 098 10	Starter assembly (Includes 4-10)
2	X-20-1	"Washer, lock 1/4 (2)"
3	X-81-1	"Nut, hex. 1/4-20 (2)"
4	52 755 05	"Kit, drive (Includes 5)"
5	52 755 08	"Kit, drive parts"
6	52 227 01	"Cap, drive end"
7	52 170 03	Armature
8	52 227 08	"Cap, commutator end (Includes 9)"
9	52 755 15	"Kit, brush"
10	52 211 03	"Bolt, thru 1/4-20x6-7/8 (2)"
—	25 450 03	"Tag, caution"

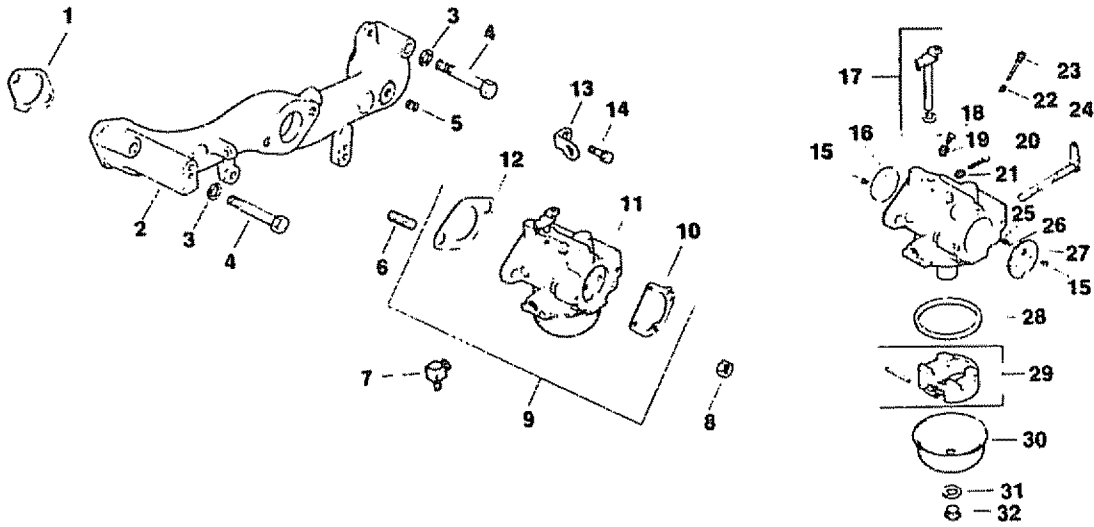
BAFFELS & SHROUD

KEY PART NO.	PART NO.	DESCRIPTION
1	52 063 30	"Baffle, #2 cylinder head"
2	48 154 01	Clamp
3	52 063 01	"Baffle, #2 cylinder top"
4	X-67-83	"Screw, hex. wash. hd. 1/4-20 x 7/16 (20)"
5	52 755 70	"Kit, blower housing (Includes 6-8)"
6	52 217 01	"Support, upper housing"
7	52 468 16	"Washer, flat 1/4 (2)"
8	52 086 11	Screw 1/4-20x5/8 (2)
9	52 124 05	"Baffle, #1 cylinder head"

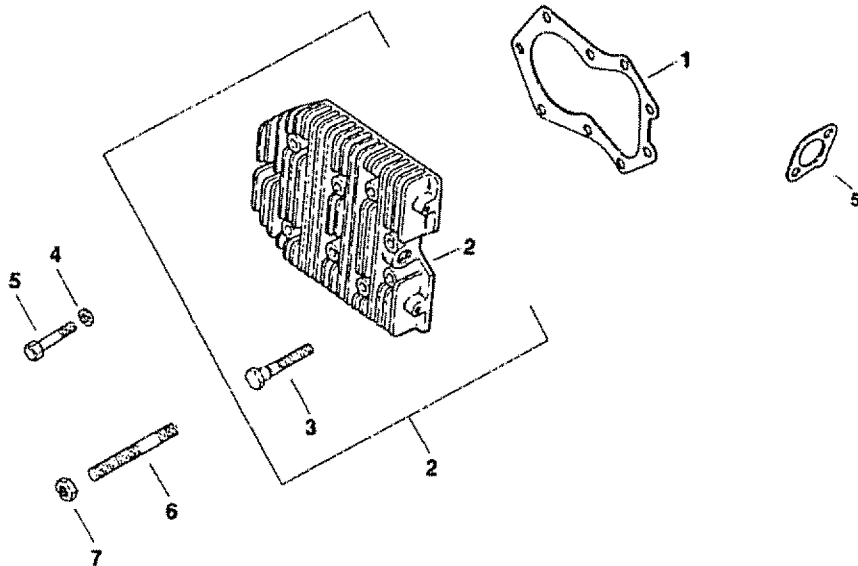
REPAIR PARTS

20 H.P. GARDEN TRACTOR - MODEL NUMBER 917.254460 and 917.250040
ENGINE MODEL NUMBER MV20S, 57517

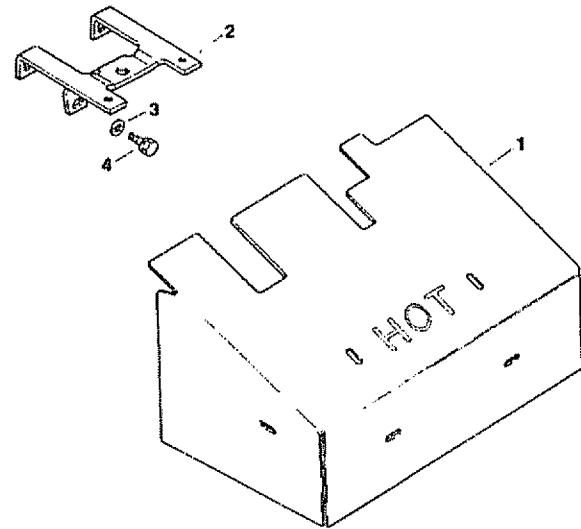
CARBURETOR



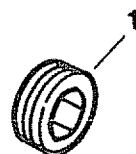
CYLINDER HEAD



EXHAUST



LOW OIL PRESSURE CUTOUT



REPAIR PARTS

20 H.P. GARDEN TRACTOR - MODEL NUMBER 917.254460 and 917.250040
ENGINE MODEL NUMBER MV20S, 57517

CARBURETOR

KEY PART NO.	PART NO.	DESCRIPTION
1	52 041 09	"Gasket, intake (2)"
2	52 164 15	"Manifold, intake"
3	X-25-44	"Washer, plain 5/16 (4)"
4	X-6-29	"Screw, H.C. 5/16-18x1-1/4 (4)"
5	X-73-23	Plug
6	X-352-37	Stud 5/16-18xl (2)
7	25 155 02	"Connector, hose"
8	X-77-2	Nut 5/6 (2)
9	52 853 29	"Kit, carburetor w/gasket (Includes 10-13,15-32) "
10	277069	"Gasket, air cleaner"
11	52 053 55	Carburetor (For information only not available separately)
12	271030	"Gasket, carburetor"
13	232867	"Strap, lifting"
14	X-67-62	"Screw, hex. wash. hd. 1/4-20x3/4"
15	25 086 27	"Screw, throttle & choke plate (4)"
16	25 146 02	"Plate, throttle"
17	52 144 16	"Shaft, throttle w/lever & seal"
18	25 368 01	"Needle, idle fuel adj."
19	25 089 02	"Spring, idle fuel"
20	25 086 26	"Screw, idle speed adj."
21	25 089 04	"Spring, idle speed"
22	25 089 02	"Spring, main fuel"
23	25 368 03	"Needle, main fuel"
24	52 090 13	"Lever, choke"
25	25 089 03	"Spring, choke friction"
26	25 194 01	"Ball, choke friction"
27	25 146 03	"Plate, choke"
28	25 041 04	"Gasket, bowl"
29	25 757 09	"Kit, float"
30	25 104 01	"Bowl, fuel"
31	25 041 03	"Gasket, bowl retainer screw"
32	25 100 05	"Screw, bowl retainer"
—	25 757 11	"Kit, carburetor repair"

CYLINDER HEAD

KEY PART NO.	PART NO.	DESCRIPTION
1	52 041 18	"Gasket, head (2)"
2	52 755 78	"Kit, cylinder head (2) (Includes 3)"
3	25 086 07	"Screw, hex. machine 5/16-18x2 (4)"
4	220534	"Washer, plain 5/16 (18)"
5	41 086 02	"Screw, hex. hd. 5/16-18x1-1/2 (8)"
6	52 072 15	Stud 5/16-18x2 (6)
7	X-82-2	"Nut, hex. 5/16-18 (6)"

EXHAUST

KEY PART NO.	PART NO.	DESCRIPTION
1	52 281 31	"Shield, heat"
2	52 126 12	Bracket
3	X-25-72	"Washer, plain (3)"
4	52 086 11	Screw 1/4-20x5/8 (3)
5	52 041 14	"Gasket, exhaust (2)"

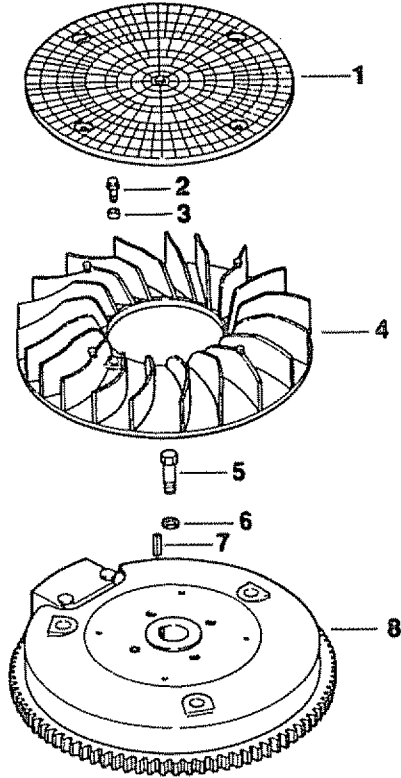
LOW OIL PRESSURE CUTOUT

KEY PART NO.	PART NO.	DESCRIPTION
1	X-75-23	"Plug, pipe 1/8 N.P.T.F."
	52 755 94	Gasket Set
	82 522 23	Short Block

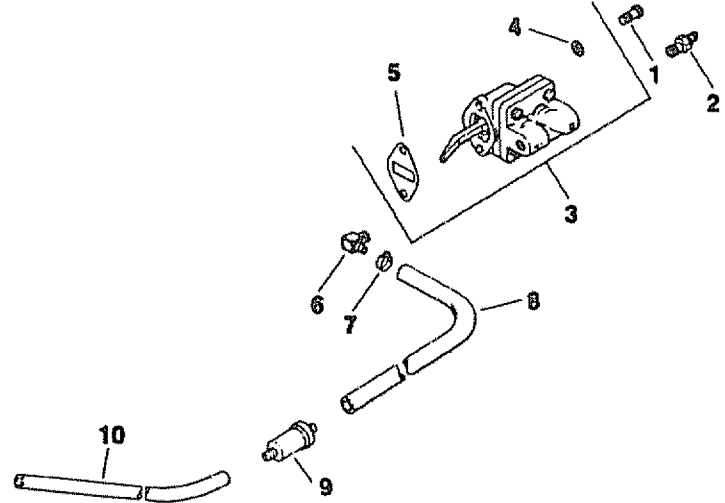
REPAIR PARTS

20 H.P. GARDEN TRACTOR - MODEL NUMBER 917.254460 and 917,250040
ENGINE MODEL NUMBER MV20S, 57517

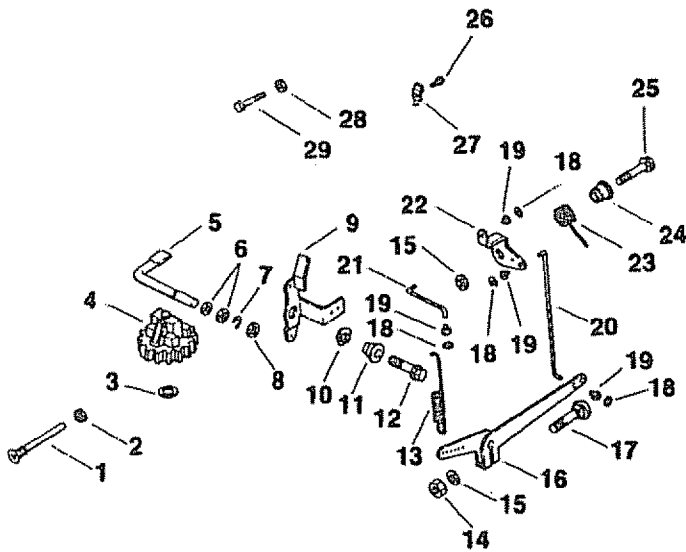
FLYWHEEL



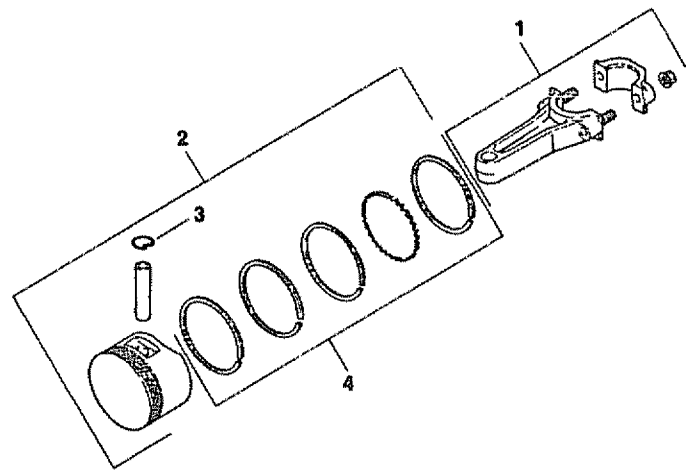
FUEL PUMP



GOVERNOR



PISTON & ROD



REPAIR PARTS

20 H.P. GARDEN TRACTOR - MODEL NUMBER 917.254460 and 917.250040
ENGINE MODEL NUMBER MV20S, 57517

FLYWHEEL

KEY PART NO.	PART NO.	DESCRIPTION
1	25 162 01	"Screen, grass"
2	25 086 21	"Screw, hex. wash. hd. 1/4-20x5/8 (4)"
3	25 112 04	Spacer (4)
4	25 157 01	Fan
5	25 086 24	"Screw, hex. machine 3/8-24x1-1/4"
6	52 468 15	"Washer, plain"
7	X-286-17	"Key, square 3/16x7/8"
8	52 025 36	Flywheel

GOVERNOR

KEY PART NO.	PART NO.	DESCRIPTION
1	231355	"Pin, governor stop"
2	X-25-12	"Washer, plain 1/4"
3	237022	"Washer, thrust"
4	A-235743-S	"Kit, governor gear"
5	52 078 04	"Shaft, governor cross"
6	X-25-102	"Washer, plain 1/4 (2)"
7	X-269-28	"Retainer, governor"
8	X-25-63	"Washer, plain 1/4"
9	52 090 18	"Lever, speed control"
10	277341	"Washer, tension"
11	25 431 01	"Bushing, speed control lever"
12	25 086 21	"Screw, hex. wash. hd. 1/4-20x5/8"
13	52 089 07	"Spring, governor"
14	X-81-1	"Nut, hex. 1/4-20"
15	X-25-72	"Washer, plain 1/4 (2)"
16	52 186 09	"Arm, governor"
17	52 211 04	"Screw, R.H. sq. neck 1/4-20x1"
18	25 141 03	"Ring, retaining (4)"
19	25 158 08	"Bushing, linkage retaining (4)"
20	52 079 07	"Linkage, governor"
21	52 079 06	"Linkage, throttle"
22	52 090 14	"Lever, throttle"
23	52 089 08	"Spring, torsion"
24	52 158 07	"Bushing, thr. control lever"
25	25 086 15	"Screw, hex. wash. hd. 1/4-20x1"
26	X-67-97	"Screw, hex. wash. hd. 10-24x3/8 (3)"
27	235778	Clamp (3)
28	X-70-3	"Nut, hex. 10-32"
29	52 086 05	"Screw, hex. hd. 10-32x7/8"

FUEL PUMP

KEY PART NO.	PART NO.	DESCRIPTION
1	47 086 08	"Screw, pozidriv T.H. 1/4-20x5/8 (2)"
2	X-380-1	"Connector, straight"
3	52 559 01	"Pump, fuel assembly (Includes 4 & 5)"
4	X-25-63	"Washer, plain 1/4 (2)"
5	25 041 05	"Gasket, fuel pump"
6	25 155 02	"Connector, hose"
7	X-426-9	"Clamp, hose (4)"
8	52 353 18	"Line, fuel"
9	45 050 01	"Filter, fuel"
10	41 353 14	"Hose, fuel"

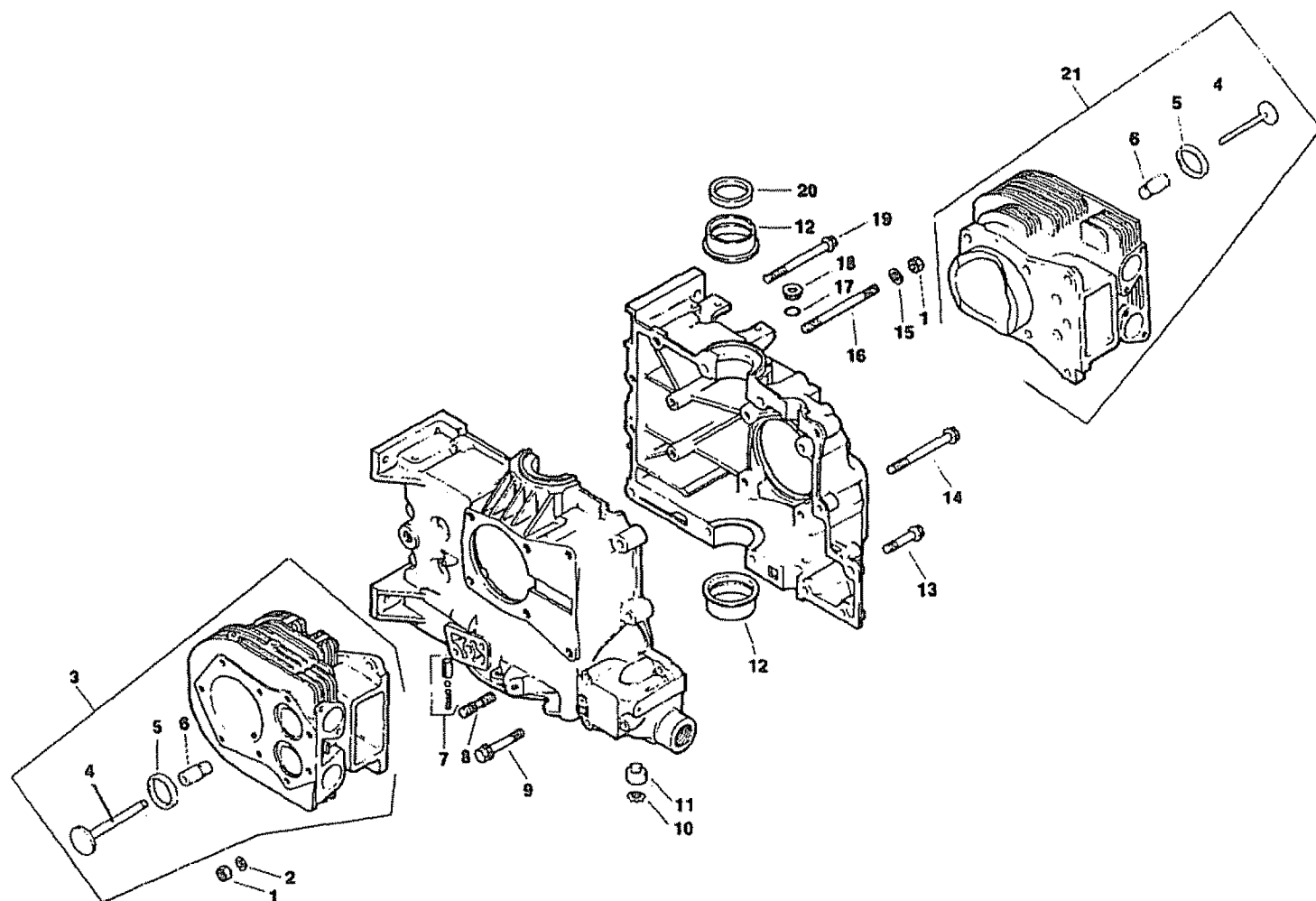
PISTON & ROD

KEY PART NO.	PART NO.	DESCRIPTION
1	52 067 71	Connecting Rod (Std.) (2)
	52 067 72	Connecting Rod (.010) (2)
2	52 874 16	Piston w/Ring Set (Std.) (2)
	52 874 17	Piston w/Ring Set (.003) (2)
	52 874 18	Piston w/Ring Set (.010) (2)
	52 874 19	Piston w/Ring Set (.020) (2)
	52 874 20	Piston w/Ring Set (.030) (2)
3	52 141 01	"Retainer, piston pin (4)"
4	52 108 09	Ring Set (Std. & .003) (2)
	52 108 10	Ring Set (.010) (2)
	52 108 11	Ring Set (.020) (2)
	52 108 12	Ring Set (.030) (2)

REPAIR PARTS

20 H.P. GARDEN TRACTOR - MODEL NUMBER 917.254460 and 917.250040
ENGINE MODEL NUMBER MV20S, 57517

CRANKCASE



KEY PART NO.	PART NO.	DESCRIPTION	KEY PART NO.	PART NO.	DESCRIPTION
1	X-82-2	"Nut, hex. 5/16-18 (16)"	13	25 086 10	"Screw, hex. flange 5/16-18x1-1/2 (3)"
2	52 468 12	"Washer, flat 5/16 (12)"	14	25 086 13	"Screw, hex. flange 3/8-16x3-5/8 (2)"
3	82 755 18	"Kit, #1 cylinder barrel (Includes 4-6)"	15	41 468 01	"Washer, plain (4)"
4	52 016 06	"Valve, exhaust"	16	X-352-33	Stud 5/16-18x4-1/8 (2)
5	52 031 01	"Insert, valve seat (2)"	17	52 141 02	O-ring
6	52 316 06	"Guide, valve (2)"	18	52 139 08	Plug
7	52 755 50	"Kit, oil relief"	19	25 086 11	"Screw, hex. flange 5/16-18x3-1/2 (6)"
8	52 072 12	"Step stud 5/16-18x3/4", 3/8-16x5/8", 2" long(12)"	20	52 032 10	"Seal, front oil"
9	25 086 12	"Screw, hex. flange 5/16-18x2 (2)"	21	82 755 19	"Kit, #2 cylinder barrel (Includes 4-6)"
10	X-269-43	"Ring, retaining"			
11	52 078 05	"Shaft, governor"			
12	52 030 10	"Bearing, sleeve (Std.) (2)"			
	52 030 11	"Bearing, sleeve (.010)"			
	52 030 12	"Bearing, sleeve (.020)"			

SERVICE NOTES

SERVICE NOTES

Attachments That Add to the Usefulness of Your Craftsman Garden Tractor

Sears offers a wide variety of attachments that fit your tractor. Many of these are listed below with brief explanations of how they can help you. This list was current at the time of publication; however, it may change in future years — more attachments may be added, changes (including changes in the stock number) may be made in these attachments, or some may no longer be available.

Most of these attachments do not require additional hitches or conversion kits (those that do are indicated) and are designed for easy attaching and detaching. You may order these attachments at most Sears retail stores, catalog sales offices, and through the catalog.

LAWN SWEEPERS let you collect grass clippings and leaves.

Stock No.	Path	Capacity
71-24030	30-in.	9.0 cu. ft.
71-24032	32-in.	10.0 cu. ft.
71-24033 High-Performance	32 in.	11.5 cu. ft.
71-24038	38-in.	12.5 cu. ft.

LAWN VACS for powerful collections of heavy grass clippings and leaves. All accept Wand attachment to pick up debris in hard-to-reach places.

Stock No.	Engine	Capacity	Also Required
71-2452	3HP	12 bu.	71-26471 chute
71-2447	5HP	25bu.	71-24474 chute
71-2455	3HP	8 bu.	71-26471 chute

CARTS make hauling easy.

Stock No.	Size	Capacity	
71-24353	4 cu. ft.	400 lb.	Dump cart
71-24354	10 cu. ft.	1,000 lb.	Hauling cart
71-24355	10 cu. ft.	1,000 lb.	Dump cart
71-24356	14 cu. ft.	1,250 lb.	Dump cart
71-24357	17 cu. ft.	1,500 lb.	Dump cart

ROLLER for smoother lawn surface. 36-inch wide, 18 inch diameter water-tight drum holds up to 390 lb. of weight. Rounded edges prevent harm to turf. Adjustable scraper automatically cleans drum. Stock number 71-24084.

SPREADER/SEEDERS make seeding, fertilizing, and weed killing easy. Broadcast spreaders are also useful for granular le-icers and sand.

- 71-24194 Drop type, 36 inch. 12 in. semi-pneumatic wheels. 100 lb. capacity steel hopper.
- 71-24394 Broadcasts over a 5 to 8 foot swath. 70 lb. capacity steel hopper. Noncorrosive spreading spinner, nylon gear box, stainless steel shaft.
- 71-24395 Broadcasts 8 to 10 foot swath. 160 lb. capacity. (covers 40,000sq. ft.) No-rust polypropylene hopper and impeller. Vinyl hopper cover.
- 71-2416 Broadcasts 6 to 8 foot swath. 50 lb. capacity. Corrosion-resistant construction. Polyethylene hopper.

CORING AERATOR takes small plugs out of soil to allow moisture and nutrients to reach grass roots. 36-inch swath. 24. hardened steel coring tips. 150 lb. capacity weight tray. Stock number 71-24351

AERATOR promotes deep root growth for a healthy lawn. Tapered 2.5" steel spikes mounted on 10-in. diameter discs puncture holes in soil at close intervals to let moisture soak in. Steel weight tray for increased penetration. Stock number 71-2435.

THATCHER loosens and flips thatch and matted leaves to lawn surface for easy pick up. Twenty spring tine teeth. Useful to prepare bare areas for reseeding. 40 inch rear mount: Stock number 71-24303. 38 inch front mount: Stock number 71-24301.

SPRAYERS use 12-volt DC electric motor that connects to the tractor battery or other 12-volt source. Includes booms for automatic spraying when pulling, and hand held wand for spot spraying. Wand has adjustable spray pattern. For applying herbicides, insecticides, fungicides, and liquid fertilizers.

- 71-2458 50 psi maximum pressure with 25 foot wand length. Sprays up to 25 feet with wand.

- 71-24398 25 psi maximum pressure with 18 foot wand length. Sprays up to 18 feet with wand.

SNOW BLADE removes snow; grades dirt, sand and gravel. 48 inches wide, 17 inches high, clears 44 inch path when angled. Master lift control lever for operator ease. Spring trip for snow removal on uneven pavement; built-in float for blade to follow ground contour. Reversible, replaceable scraper bar. (Use with tire chains, wheel weights or rear drawbar hitch). Stock No. 71-24401

SNOWTHROWER has 40-inch swath. Drum-type auger handles powdery and wet/heavy snow. Mounts easily with simple pin arrangement. Discharge chute adjusts to 240 degree arc from tractor seat. 6-inch diameter spout discharges snow 10 to 50 ft. Lift controlled at tractor seat. (Use with tire chains, wheel weights, or rear drawbar weight). Stock No. 71-24077.

TIRE CHAINS are heavy duty; closely spaced extra-large cross links give smooth ride, outstanding traction. Stock No. 71-26945.

WHEEL WEIGHTS provide stability, reduce tearing of turf when moving on hills, stopping, turning, starting. Provides extra weight for traction to pull low-loads, lawn vac. Required for snow removal. For plowing: one in front frame, one in right rear tire, two on left rear tire. For snow blower or dozer blade: one on right rear tire, one on left rear tire. 55 pounds. Stock No. 71-26234. (Front or rear mounting frame bracket Stock No. 71-244360 OR 262235).

CHEVRON TIRES for extra traction. Pair of rear tires mounted on wheels. Stock No. 71-24166.

TRACTOR CAB has heavy duty vinyl fabric over tubular steel frame, fiberglass top; clear plastic windshield offers 360 degree visibility. Hinged metal frame doors with catch. Keeps operator warm and dry. Remove vinyl and windshield for use as sun protector in summer. Stock No. 71-24172.

Optional accessories for tractor cab: tinted/tempered solid safety glass wind shield with hand operated wiper (Stock No. 71-26168); 12-volt amber caution light for mounting on cab top (Stock No. 71-26169).

TRACTOR COVER protects tractor from weather. Made of Evolution 3 fabric (water-repellent, extremely breathable, light weight, soft, non-abrasive, pliable in all temperatures, durable, stain-tear-puncture resistant, will not shrink or stretch). Stock No. 71-24602.

*TILLER has 8hp engine to prepare seed beds, cultivate and compost garden residue. Chain-drive transmission. Six 11 inch dia., one piece heat-treated steel tines. Tills 30 inch path. (Requires sleeve hitch Stock No. 71-24235) Stock No. 71-25249.

*PLOW turns soil 6 inches deep, cuts 10 inch furrow. Crank adjustment controls depth, 3-position yoke sets width. Heavy steel landslide for straight forrowing. Stock No. 71-24233.

*DISC HARROW has 2 gangs of 4 steel blades that angle from 10 to 20 degrees 40 inches wide. Can hook 2 units in tandem. Stock No. 71-24234.

*REAR GRADER/LEVELER BLADE is 42-inches wide operated from driver's seat. Reversible steel blade can be angled at 30 degrees for grading. Reverses for snow plowing. Stock No. 71-24239.

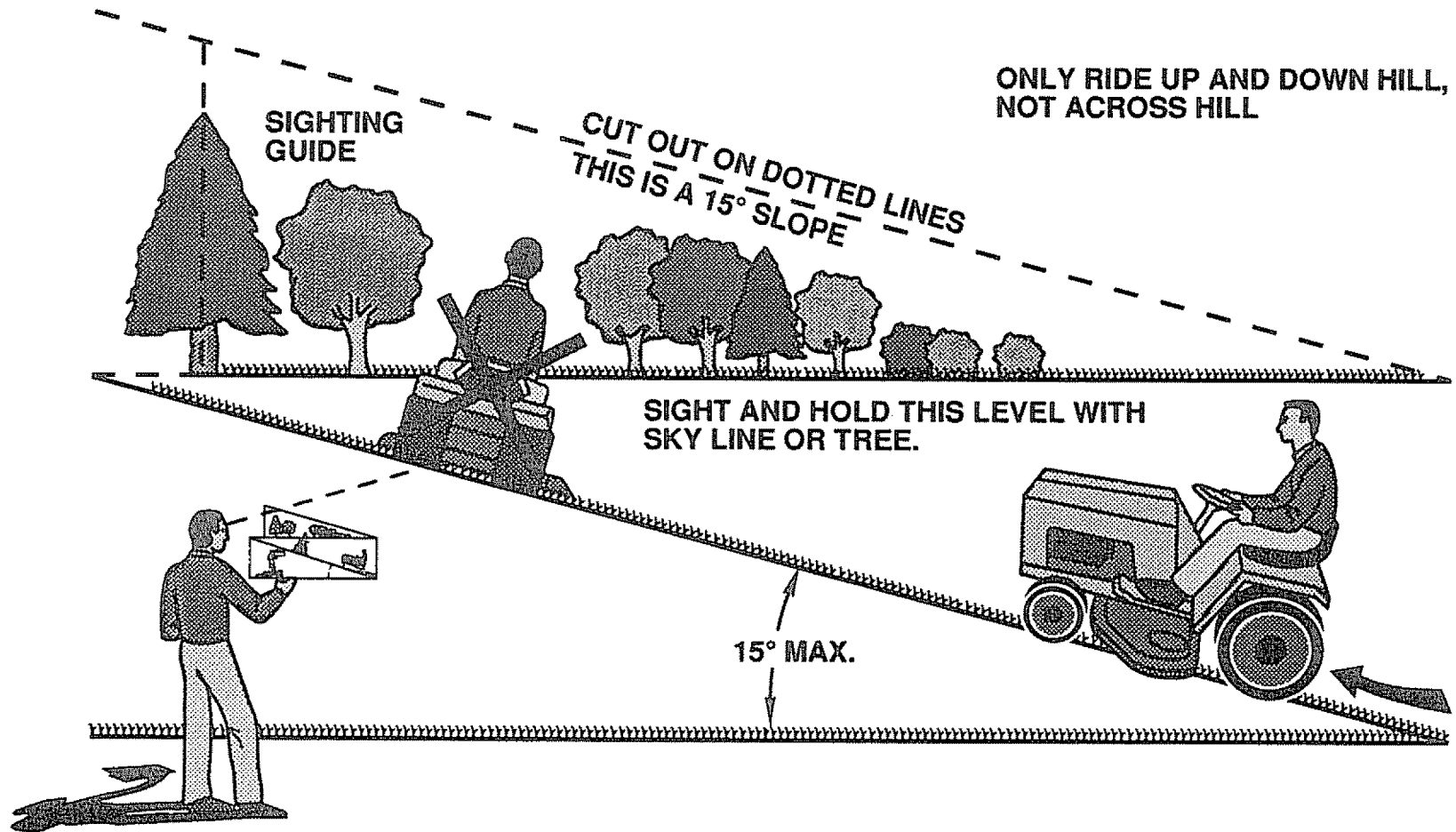
*SLEEVE CULTIVATOR is 43 inches wide. Prepares ground for seeding, helps weed control. Steel frame holds 5 adjustable sweeps. Adjusts vertically, horizontally, Stock No. 71-25304. Optional accessory for cultivator: steel furrow opener for wider for wide openings for potatoes, corn, and other deep seeded crops (Stock No. 71-25305).

WEIGHT BRACKET for drawbar for snow removal applications. Can be mounted on front of tractor for plowing applications. Uses (1) 55 lb. weight - number 71-26234.


*Asterisked attachments require sleeve hitch (Stock No. 71-24235) for use with master lift system. Single pin couples/uncouples.

Source for Attachments 842.

SUGGESTED GUIDE FOR SIGHTING SLOPES FOR SAFE OPERATION



55

 Operate your Tractor up and down the face of slopes (not greater than 15°) never across the face. Make turns gradually to prevent tipping or loss of control. Exercise extreme caution when changing direction on slopes.

**SEARS
OWNER'S
MANUAL**

**MODEL NO.
917.254460**

**MODEL NO.
917.250040
(without
Mower Deck)**

**HOW TO ORDER
REPAIR PARTS**

CRAFTSMAN®

**20.0 HP TWIN
ELECTRIC START
44" MOWER DECK
6 SPEED TRANSAXLE
GARDEN TRACTOR**

Each Tractor has its own model number. Each Engine has its own model number.

The Model Number for your Tractor will be found on the Model Plate located under the seat.

The model number for the Engine will be found on the Blower Housing.

All parts listed herein may be ordered from any Sears, Roebuck and Co. Service Centers and most Retail Stores.

WHEN ORDERING REPAIR PARTS, ALWAYS GIVE THE FOLLOWING INFORMATION:

- PRODUCT - 20.0 HP GARDEN TRACTOR
- MODEL NUMBER - 917.254460 AND 917.250040
- ENGINE MODEL NUMBER -MV20S - SPEC NUMBER -57517
- PART NUMBER
- PART DESCRIPTION

Your Sears merchandise has added value when you consider Sears has service units nationwide staffed with Sears trained technicians... professional technicians specifically trained to insure that we meet our pledge to you, we service what we sell.

Sears, Roebuck and Co., Chicago, IL 60684 U.S.A.