



SEBO *automatic* X Series



ENGLISH

For Household Use Only

© Copyright SEBO America, LLC • All rights reserved.



SEBO *automatic* X Series Owner's Manual

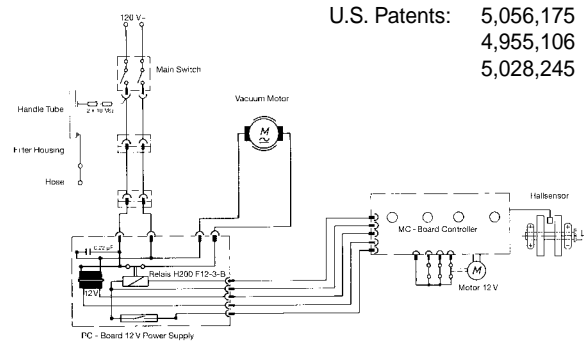
Table of Contents

Technical Details	2
Wiring Diagram	2
Important Safety Instructions	3
Special SEBO Product Features	4
Automatic Power Head Height Adjustment.....	4
Brush Roller Obstruction – Auto Shut-Off.....	4
Brush Roller Deterioration Warning.....	4
Stationary Use Warning.....	4
Bag Full or Clog Warning – Auto Shut-Off.....	4
Identification of Parts	5
Assembly	5
Optional Attachments	5
Standard Attachments	5
Operating Instructions	6
Starting the Machine.....	6
Operating Positions.....	6
Using the Attachment Tube, Hose & Attachments.....	7
The Display Panel.....	7
The Adjustment Wheel.....	7
Maintenance	8
Changing the Dust Bag.....	8
Changing the Micro-Hygiene Filter.....	8
Changing the Exhaust Filter.....	8
Changing the Brush Roller(s).....	8
Changing the Sealing Strip.....	8
Clog Removal	9
Clogs in the Airflow Pathway.....	9
Clogs in the Attachment Hose.....	9
Clogs in the Attachment Tube.....	9
Clogs in Entrance to Dust Bag.....	9
Clogs in the Swivel Neck.....	9
Trouble-Shooting Guide	10
X Series Filter Bag Housing and Handle Schematic and Part Numbers	11
X4 Base Schematic and Part Numbers	12
X5 Base Schematic and Part Numbers	13
Warranty	14
How To Contact SEBO	14

Technical Details

Vacuum motor	1300 watts (10.8 amps)
Water lift (at motor)	92 inches
Airflow (at motor)	103.8 CFM
Filter bag capacity	1.4 gal.
Sound level	69 dBA
Body weight	X4-16.7 lbs / X5-16.9 lbs
Motor protection	electronic cut-out
Working width	X4-12 inches / X5-15.1 inches
Brush drive	toothed belt
Brush speed	3100 rpm
Floor adjustment	automatic sensor control
Cord length	40 feet
Radio suppression	EN 55014 Verf. 242/91

Wiring Diagram





IMPORTANT SAFETY INSTRUCTIONS

READ ALL INSTRUCTIONS BEFORE USING THIS MACHINE

When using an electrical appliance, basic precautions must always be followed.

To reduce the risk of electric shock, this vacuum cleaner has a polarized plug; one blade is wider than the other. This plug will fit in a polarized outlet only one way. If the plug does not fit fully in the outlet, reverse the plug. If it still does not fit, contact a qualified electrician to install the proper outlet. Do not change the plug in any way. Connect only to the outlet type specified on the serial number plate underneath the machine.

SAVE THESE INSTRUCTIONS.

WARNING: To reduce the risk of fire, electric shock, or injury:

1. Do not leave vacuum while plugged in. Unplug from outlet when not in use and before servicing.
2. Do not use outdoors or on wet surfaces.
3. Do not use near small children or pets. Do not allow to be used as a toy. Use of this product by children should always be supervised by an adult.
4. Use only as described in this manual. Use only manufacturer-recommended attachments.
5. Do not use with a damaged cord or plug. If vacuum is not working as it should, has been dropped, damaged, left out-doors, or dropped into water, take it to a SEBO service center.
6. Do not pull or carry by cord, use cord as a handle, close a door on cord, or pull cord around sharp edges or corners. Do not run vacuum over cord. Keep cord away from heated surfaces.
7. Do not unplug by pulling on cord. To unplug, grasp the plug – not the cord.
8. Do not plug in if switch is in the “I” (ON) position.
9. Do not use outlets above counters to plug in vacuum – damage to items in the surrounding area could occur.
10. Always carry the vacuum over steps and sills.
11. Do not handle plug or vacuum handle with wet hands.
12. Do not put any object into vacuum openings. Do not use machine with any openings blocked. Keep openings free of lint, hair, and anything that may reduce air flow.
13. Do not re-use filter (dust) bags or wash the filters.
14. Do not remove any screws from vacuum.
15. Do not vacuum up anything that is burning or smoking, such as cigarettes, matches, or hot ashes.
16. Do not use vacuum without dust bag and/or filters in place.
17. Turn off all machine controls before unplugging.
18. Use extra care when cleaning on stairs.
19. Do not use machine to vacuum up flammable or combustible liquids such as gasoline or use in areas where they may be present.
20. Machines can cause a fire when operated near flammable vapors or materials. Do not operate this vacuum near flammable fluids, dust or vapors.
21. Maintenance and repairs must be done by qualified personnel.
22. Use only original SEBO replacement parts.
23. Do not use vacuum as a step.
24. If vacuum is used on plush carpet or carpet with thick padding, do not leave machine standing in one place with machine turned on.
25. Do not use the operator's handle, which inserts into the top of the dust bag housing, to carry the machine. The carrying handle is located on the backside of the machine's bag housing.
26. Keep hair, loose clothing, fingers, and all parts of body away from vacuum openings and moving parts. Do not place fingers or other body parts under vacuum unless it is unplugged.
27. Do not place the power head over rug or carpet edges.
28. The vacuum has a manual reset thermal protector. The protector is reset by switching off the vacuum. The thermal protector needs some time to cool down after switching off! Check the vacuum for air blockages or mechanical failures before switching on.
29. Store the vacuum in a dry place at room temperature. When the vacuum is not in use, you should wrap the cord on the cable hooks.
30. Any other servicing should be performed by an authorized service representative.

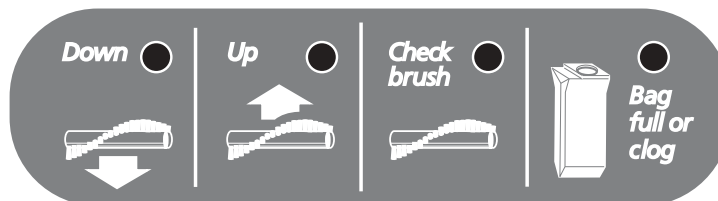


SPECIAL SEBO PRODUCT FEATURES

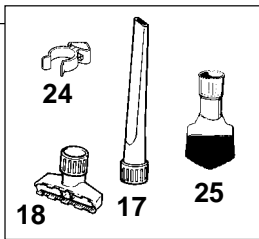
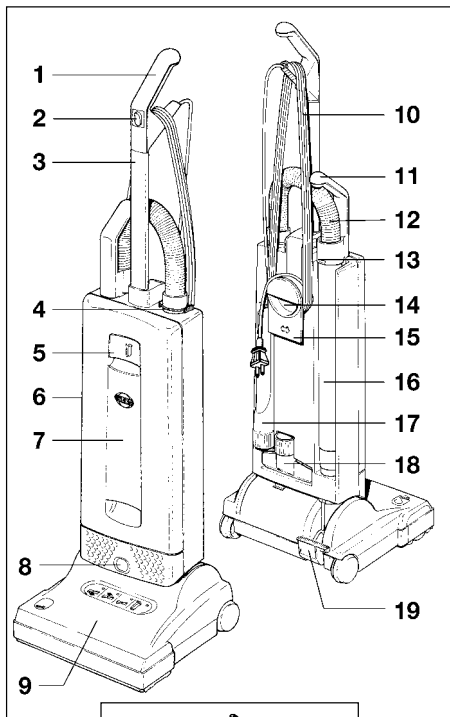
Your SEBO *automatic X* series vacuum cleaner is the most technically advanced upright vacuum cleaner in the world. Along with its excellent filtration system (99.9% to 0.3 microns), one of its most important features is its ability to “monitor” the resistance of the brush roller against the floor, so that the proper cleaning height is consistently maintained. In addition, the machine has warning systems and automatic shut-off capabilities that are designed to alert the user to machine problems that, if ignored, will damage the machine or diminish performance.

Your SEBO *automatic*’s five most unique features are:

1. **Automatic Power Head Height Adjustment.** Based upon the resistance of the brush roller against the floor, the power head automatically adjusts up or down to the appropriate cleaning height. The adjustment process is indicated by two green lights labeled “UP” and “DOWN” located on top of the power head. The height adjustment chosen by the machine ensures aggressive brush action, while providing optimal air flow. This prevents suffocation of air flow due to improper height selection.
2. **Brush Roller Obstruction – Auto Shut-Off.** If the brush roller is obstructed, the machine will shut off in 3 seconds and the red “CHECK BRUSH” light located on top of the power head will flash. The user should turn the switch off, unplug the machine and immediately remove the obstruction. If the user restarts the machine without removing the obstruction, the machine will again shut off in 3 seconds and the “CHECK BRUSH” light will flash.
3. **Brush Roller Deterioration Warning.** The red “CHECK BRUSH” light will illuminate (after a 10 second delay) to notify the user that the brush roller is too worn and, therefore, should be replaced. The light will remain illuminated until the worn brush roller is replaced, but the machine will continue to operate in the meantime.
4. **Stationary Use Warning.** When the machine has its handle in the upright-locked position, it is designed to disengage the brush roller from the floor by raising the height of the power head. If the power head reaches its highest brush height but is still engaged in the carpet, the “CHECK BRUSH” light will slowly flash to alert the user. This can occur on extremely high-nap carpet, such as loose-pile shag, or on carpets with extraordinarily thick padding underneath. However, it is typically caused by the user pulling forward on the machine while using the attachment hose or active wand. This feature was designed to be an alert to the user to “take care” while the machine is stationary. An operating machine should not stand stationary on the floor for inappropriate periods of time.
5. **Bag Full or Clog Warning – Auto Shut-Off.** If the vacuum’s air flow pathway becomes restricted due to a full bag or the existence of a clog, the red “BAG FULL OR CLOG” light located on top of the power head will illuminate. If the user ignores this warning for approximately 30 seconds, the machine will shut off and the “BAG FULL OR CLOG” light will flash. The user should turn the switch off, unplug the machine and immediately insert a new bag or remove the clog (to remove a clog, refer to the Clog Removal section on page 9). If the user restarts the machine without having solved the problem, the “BAG FULL OR CLOG” light will again illuminate and the machine will shut off in 30 seconds.



The control panel is located on the power head.

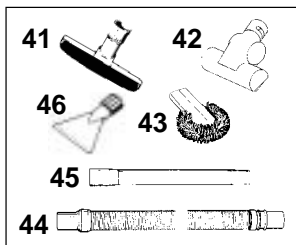


Standard Attachments

- 17. Crevice nozzle
- 18. Upholstery nozzle
- 24. Dusting brush clamp
- 25. Dusting brush

Identification of Parts

- 1. Handle grip
- 2. On/Off switch
- 3. Handle assembly
- 4. Retaining ring
- 5. Cover release flap
- 6. Dust bag housing
- 7. Front cover
- 8. Housing release button
- 9. Power head with brush
- 10. Cable (cord)
- 11. Attachment tube handle
- 12. Attachment hose
- 13. Handle catch
- 14. Carrying handle
- 15. Cable (cord) hook
- 16. Attachment tube (active wand)
- 17. Crevice nozzle
- 18. Upholstery nozzle
- 19. Foot pedal
- 20. Swivel neck
- 21. Support lever
- 22. Projection tab
- 23. Connecting tube

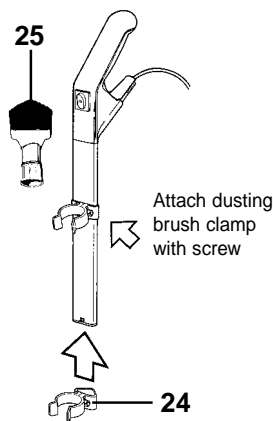
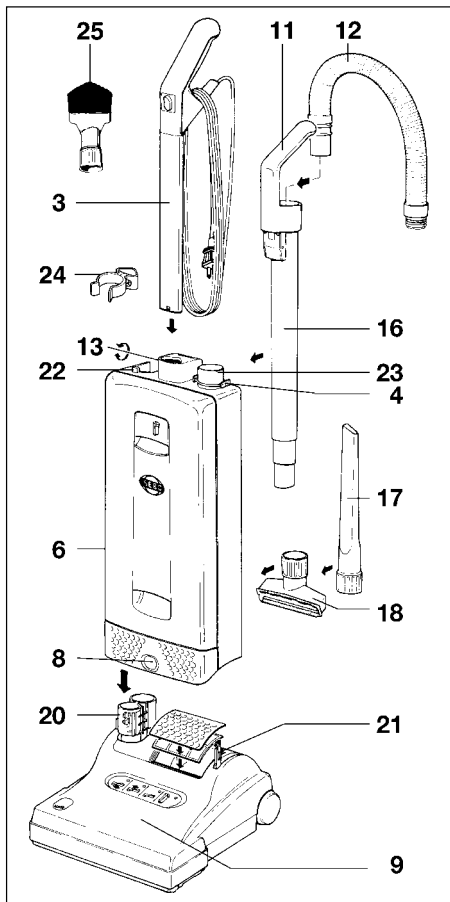


Optional Attachments

- 41. Wall and floor brush - Part # 1325 HG
- 42. Turbo brush for stairs - Part # 6179 AM
- 43. Radiator brush - Part # 1496 HG
- 44. Extension hose (9'3") - Part # 1495 AM
- 45. Straight tube - Part # 1084 HG
- 46. Flat upholstery nozzle - Part # 1090 HG

Also available for odor control - the combined micro/charcoal filter - Part # 5425 AM

Assembly



Note

All illustrations shown in this manual represent the X4 model except where part numbers and instructions are different for each model. In those instances, illustrations for both the X4 and X5 will be shown.

Place the power head (9) on the floor with the swivel neck (20) and the support lever (21) upright. Hold the dust bag housing (6) vertically and place it over the swivel neck and support lever. Push firmly and **evenly** down so that the housing release button (8) snaps outward to its "locked" position.

Slide the dusting brush clamp (24) onto the handle tube and tighten the screw. The handle of the dusting brush (25) will now snap into the clamp.

To lock the handle (3) to the dust bag housing (6), turn the handle catch (13) at the handle joint of the filter bag housing (6) forward to "open" position. Then slide the handle assembly (3) in as far as possible and lock it in by turning the handle catch to the closed position.

Push the black end of the attachment hose (12) into the connecting tube (23) so that it clicks into place. Insert the attachment tube (16) into the swivel neck and push the handle (11) over the projection tab (22).

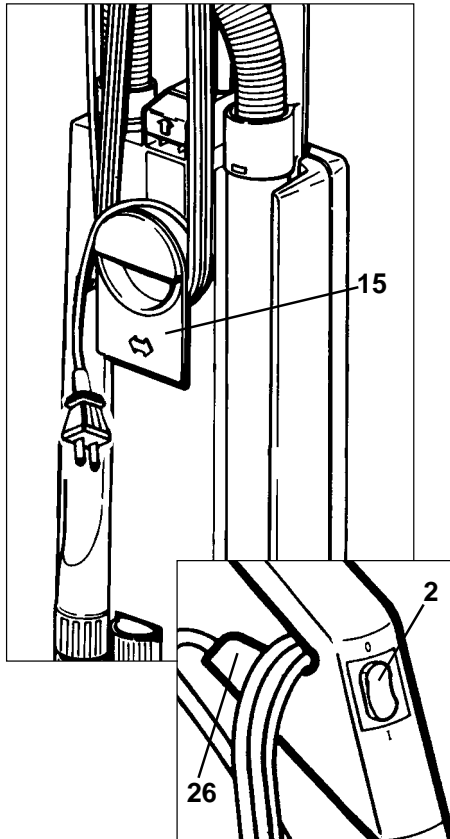
Insert crevice nozzle (17) and upholstery nozzle (18) into the recesses in the back of the machine.

Operating Instructions

Starting The Machine

A. Before turning on your vacuum cleaner, make sure that the vacuum handle is in its upright locked position and that you have a firm hold on the handle grip to keep the machine from moving forward.

1. Turn the quick release cable hook (15) to the up position by moving it to the left or right.
2. Release the power cord plug from the power cord and lift the cord off of the upper cord hook (26).
3. With the switch (2) in the "O" (OFF) position, plug the polarized power cord into a 120 volt outlet located near the floor.



Switch Position

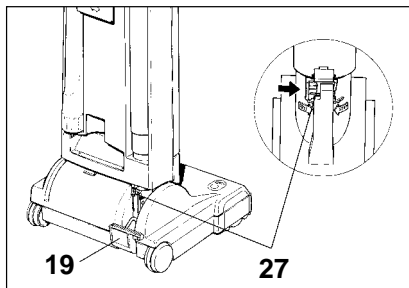
O = OFF

I = ON

Operating Positions

B. When the machine is switched on with the handle in the upright locked position (see **A** above), the power head and brush automatically rise from the carpet. To release the machine from the upright locked position, press down on the foot pedal (19) and lower the handle into the normal operating position. The power head and brush will automatically lower to the appropriate height.

The handle can be lowered to an intermediate stop position in order to lift up the brush head for maneuvering over rugs, etc. To lower the handle to a horizontal position useful for vacuuming under beds, the foot pedal must be pressed a second time. The intermediate stop position can be closed off by the orange-colored slider (27) on the back of the swivel neck (20), so that the handle will go from vertical to horizontal in one movement.



WARNING! The quality, condition, coating, texture, age and manufacturing technique of all floor surfaces vary. Therefore, upright vacuums with rotating brushes, including your SEBO, may damage some floor coverings or surfaces. Some types of high-gloss hardwood floors, cushion vinyl, berber carpets, long shag, and delicate or hand-woven carpets are particularly vulnerable to damage by rotating brushes. When possible, consult the materials supplied by your floor's manufacturer for information on proper upkeep and cleaning. **To ensure that your new SEBO vacuum cleaner is compatible with your floor, please test the vacuum cleaner on each type of flooring surface in a small inconspicuous area to determine if any damage occurs. If damage occurs, stop using the vacuum cleaner immediately!**

The standard brush roller on your SEBO vacuum is appropriate for most types of floor surfaces. However, a soft-bristle brush roller (X4 part # 5010 GE or X5 part # 5290 GE) that is designed for use on sensitive looped-pile carpets and/or hard floors is available for an additional charge. As with the standard brush roller, you should test the machine using the soft-bristle brush roller in an inconspicuous area prior to widespread use. The soft-bristle roller will wear more quickly than the standard brush roller, so it will need to be replaced more often. Also, because the bristles are softer, the height adjustment on the machine will be slightly lower than normal. **Care must be taken to ensure that the bottom of the machine does not contact the floor.** If this happens, damage to the floor could occur. **If damage occurs, stop using the vacuum cleaner immediately!**

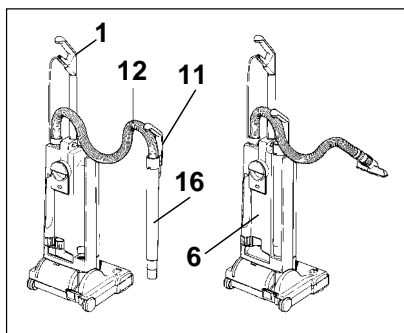


Figure 1

Figure 2

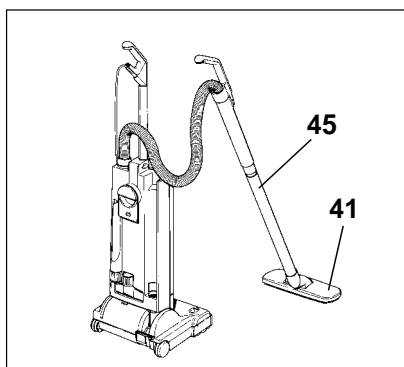


Figure 3

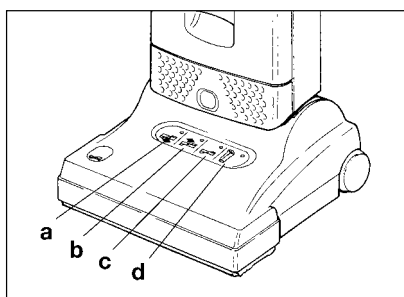


Figure 4

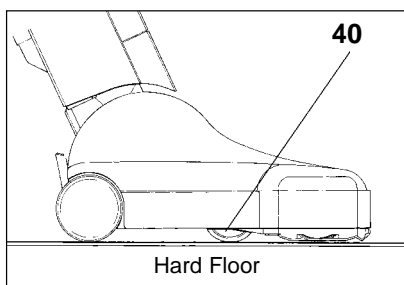


Figure 5

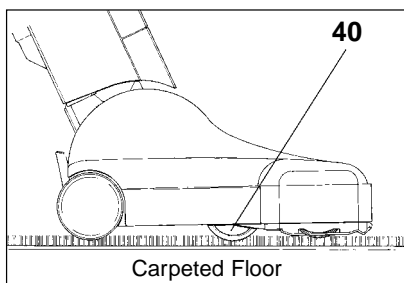


Figure 6

Using the Attachment Tube, Hose & Attachments - Figures 1, 2 & 3

The attachment tube (16) is useful for vacuuming corners and hard-to-reach areas. The handle grip (1) should be in the upright, locked position (**as shown in figure 1**). Grip the attachment tube handle (11), pull it up and away from the machine and stretch out the hose (12) until it locks to the back of the tube (this locking action will prevent the hose from retracting back into the attachment tube while it is in use). Various attachments may be inserted onto the end of the tube. After use, remove attachment and re-insert the attachment tube into the back of the machine. **Be sure that the attachment tube handle (11) is inserted over the projection tab (see #22, page 5)**. If the attachment tube handle is properly seated over the projection tab, the hose will automatically retract and you may resume vacuuming. There is no need to turn off the vacuum while switching from upright vacuuming to using the attachment tube or hose.

To use the hose without the attachment tube (**as shown in figure 2**), pull the hose out of the attachment tube while the tube is still attached to the machine and **securely seated over the projection tab (22)**. Insert an attachment tool, if desired, onto the end of the flexible hose. You may also release the hose while the attachment tube is disengaged from the machine by pressing the release button at the base of the handle (11).

While using attachment tools, if the the power head brush roller is not able to disengage from the floor surface, you may keep the brush roller off the carpet by placing the handle (1) in its upright locked position and lowering the handle with one hand to raise the brush roller off of the floor. Operate attachment accessories with the other hand. Or, with the handle in the upright locked position, the machine may be tipped backward so that it rests on the back side of the bag housing (6), and the power head is locked in a perpendicular position to the floor.

To vacuum walls, under beds, or higher-reach areas, etc., the SEBO *automatic* can be fitted with an additional straight tube (45) and the wall and floor brush (41). The machine will then perform as a canister vacuum (**as shown in figure 3**).

The Display Panel - Figure 4

- | | |
|-------------|--|
| Green light | (a): Brush is lowering |
| Green light | (b): Brush is rising |
| Red light | (c): Flashing and motor off - brush jammed – clear jam |
| Red light | (c): Flashing and motor on (when machine is in upright, locked position) – Take care, brush in contact with carpet |
| Red light | (c): Continuous – change brush roller |
| Red light | (d): Continuous – change bag or clear clog |
| Red light | (d): Flashing – motor switched off due to full bag or clog |

For detailed information on the display panel, see page 4

The Adjustment Wheel - Figures 5 & 6

On hard floors (figure 5), the adjustment wheel (40), moves upward into the machine so that the brush lowers and becomes flush with the floor.

On carpeted floors (figure 6), the adjustment wheel (40) moves downward out of the machine so that the brush rises. The adjustment wheel moves up and down automatically to adjust the brush to the correct setting. This provides aggressive brush action, while maintaining optimal air flow.

Maintenance



Always unplug vacuum from outlet before dismantling any part of machine!

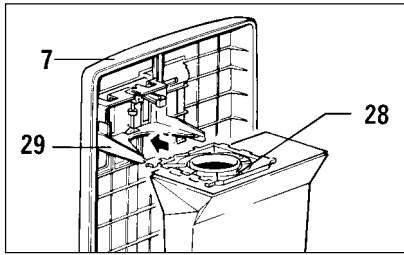


Figure 7

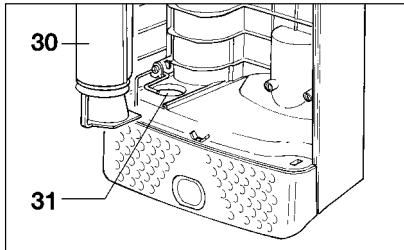


Figure 8

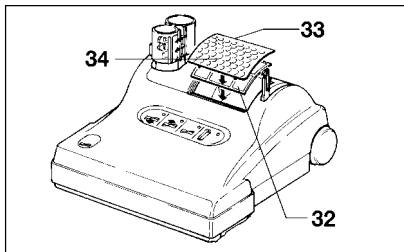
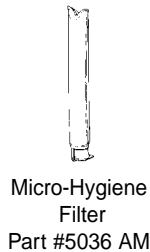


Figure 9

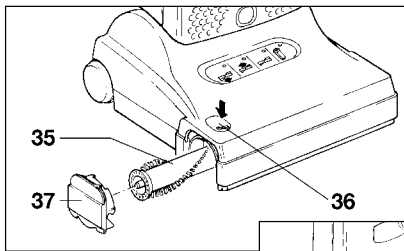


Figure 10 (X4)

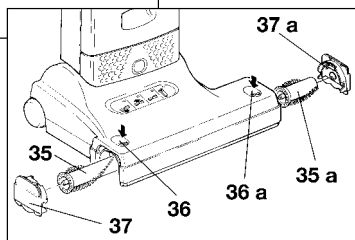
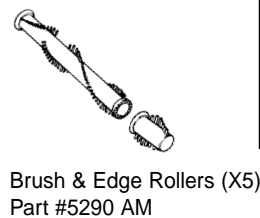


Figure 10a (X5)

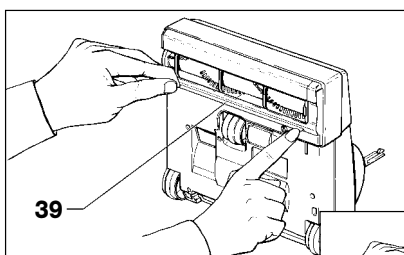


Figure 11 (X4)

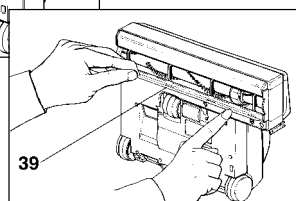
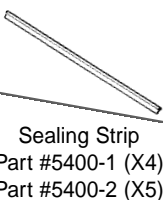


Figure 11a (X5)

Changing the Dust Bag - Figure 7

To change the dust bag, pull the cover release flap forward (#5 on page 5) and lift the cover (7) from the dust bag housing. **The cover release flap must remain in a forward "pulled-out" position to change dust bags and lock them into place.** Squeeze the clamps on both sides of the dust bag sealing plate, slide the plate (28) from the holder (29) and push the cap on to seal the bag. Slide the sealing plate (28) of a new bag into the holder and push it in firmly. Re-insert cover into dust bag housing, push it forward, then lock it in place by pushing down the cover release flap. You may find it convenient to store the bag cap inside the dust bag housing below the dust bag.

Changing the Micro-Hygiene Filter - Figure 8

The micro-hygiene filter (30) needs to be changed when it becomes extremely dirty or clogged with dust, or after approximately 20 dust bags have been used. To change the micro-hygiene filter, pull the cover release flap (#5 on page 5) forward and lift the cover from the dust bag housing. Then, slide the filter out at the bottom. To replace, lift the safety lever (31) and slide the new filter in using the tracks as guides.

Changing the Exhaust Filter - Figure 9

After 20 bags have been used, change the exhaust filter (32). To remove the exhaust filter, push the catch (33) backward and remove the filter cover (34) and exhaust filter. Insert the new filter and replace the filter cover.

Changing the Brush Roller(s) - Figure 10 (X4), Figure 10a (X5)

To change the brush roller(s) (35 or 35a), push the button(s) (36 or 36a), remove the side plate(s) (37 or 37a), turn the brush(s) clockwise a quarter of a turn, and pull the old brush roller(s) out. Slide the new brush roller(s) into the brush housing and turn it until it locks into position. While slightly pushing the button(s) (36 or 36a), press the side plate(s) (37 or 37a) back into the locked position.

Changing the Sealing Strip - Figure 11 (X4), Figure 11a (X5)

The sealing strip (39) is located just behind the brush roller opening. The sealing strip seals the power head to hard floors to prevent kick-back of debris while vacuuming. To replace a worn sealing strip, push the release button, remove the side plate (36 and 37 in figure 10 & 10a) and slide old strip out. Insert the new strip into the slot and slide into place.

Clog Removal



Always unplug vacuum from outlet before removing any clogs!

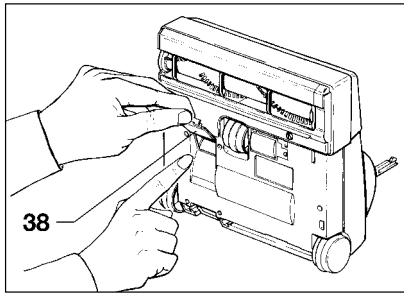


Figure 12

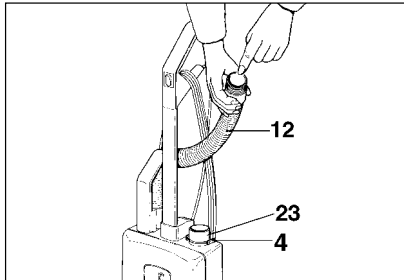


Figure 13

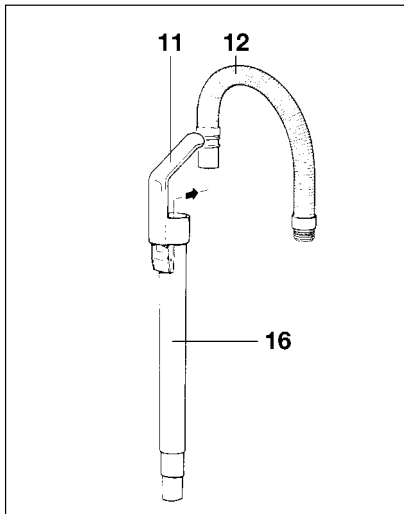


Figure 14

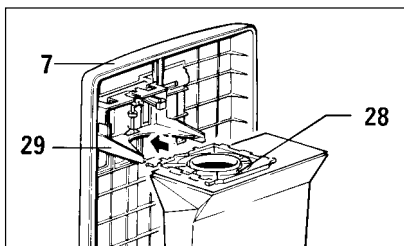


Figure 15

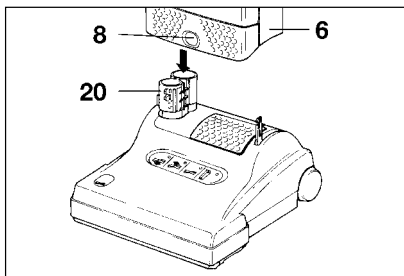


Figure 16

Clogs in the Airflow Pathway - Figure 12

Most clogs can be removed by accessing the airflow pathway via the orange colored access door (38) located on the underside of the power head. However, other clogs may only be removed by accessing the airflow pathway by disassembling the machine in the opposite sequence of the machine's original assembly (see assembly, page 5).

Clogs in the Attachment Hose - Figure 13

Blockages in the hose can be cleared by removing the attachment hose (12) from the machine by squeezing the retaining ring (4) and inserting the opposite end of the hose in the connecting tube (23). Hold the hose upright with one hand blocking the top end and switch on the machine. If necessary, quickly lift your hand on and off the end of the hose. If this procedure does not clear the clog, a straight wire can be inserted into the hose to push out the clog. Take care not to puncture the hose with the wire.

Clogs in the Attachment Tube (Active Wand) - Figure 14

Remove attachment hose (12) from the attachment tube (16). Then, grip attachment tube handle (11) and remove tube from the machine. A straight wire can be inserted into the tube to push out the clog.

Clogs in Entrance to Dust Bag - Figure 15

Remove attachment hose (12) from vacuum cleaner (see figure 13) and remove front cover (7). Clean out connecting tube (23) and/or entrance to bag (28).

Clogs in the Swivel Neck - Figure 16

Clogs in the swivel neck (20) can be removed by first pressing the housing release button (8) and lifting off the dust bag housing (6). Lift upward firmly and evenly to properly remove the dust bag housing. Then, release the foot pedal (19), lower the swivel neck, check inside the swivel neck channel closest to the foot pedal (see arrow), and clean out pathway.

Trouble-Shooting Guide



Always unplug vacuum from outlet before dismantling any part of the machine!

PROBLEM	REASON	SOLUTION
Does not turn on or machine shuts off intermittently	1. Handle not fully inserted into the bag housing, causing a faulty connection.	1. Release handle catch, push handle down, close handle catch.
	2. Not plugged into good outlet.	2. Use another outlet.
	3. Cable worn.	3. Replace cable.
	4. Dust bag housing (6) not seated fully into proper "locked" position on top of power head.	4. Housing release button (8) should be snapped outward to its locked position.
Bag full or clog light on or flashing & machine shuts off	1. Bag full.	1. Replace bag. See #5 on page 4.
	2. Clog in airflow pathway, attachment hose, attachment tube, swivel neck or entrance to dust bag.	2. See Clog Removal on page 9. Also, see #5 on page 4.
	3. Microfilter dirty.	3. Replace microfilter.
Brush light on	1. Brush worn.	1. See #3 on page 4.
Brush light slowly flashing	1. Vacuum is stationary and in upright locked position.	1. See #4 on page 4.
Brush light flashing & machine shuts off	1. Brush jammed.	1. See #2 on page 4.
Up & down lights flicker	1. Operating on uneven floor.	1. Ignore.
Does not pick up	1. Attachment tube not correctly inserted.	1. Reinsert attachment tube, making sure lower end of tube is in the lower hole and handle is properly seated over the projection tab (22).
	2. Front cover not closed.	2. See below.
Front bag door won't fully close	1. Cover release flap not fully closed.	1. Reinsert bag. Lock the cover release flap down firmly.
	2. Bag not inserted properly	2. Reinsert bag with cover release flap (5) up, until firmly latched in bag holder (see pg. 8, figure 7).
	3. Microfilter not properly inserted.	3. Lift safety lever and insert filter with vertical plastic ridge on filter facing you (see pg. 8, figure 8).
Hose doesn't retract after attachment tube is inserted	1. Attachment tube not properly inserted.	1. Reinsert making sure top of handle is pointing back and tube is fully seated on the protruding tab (22) on top of the dust bag housing.



White-Gray Machine

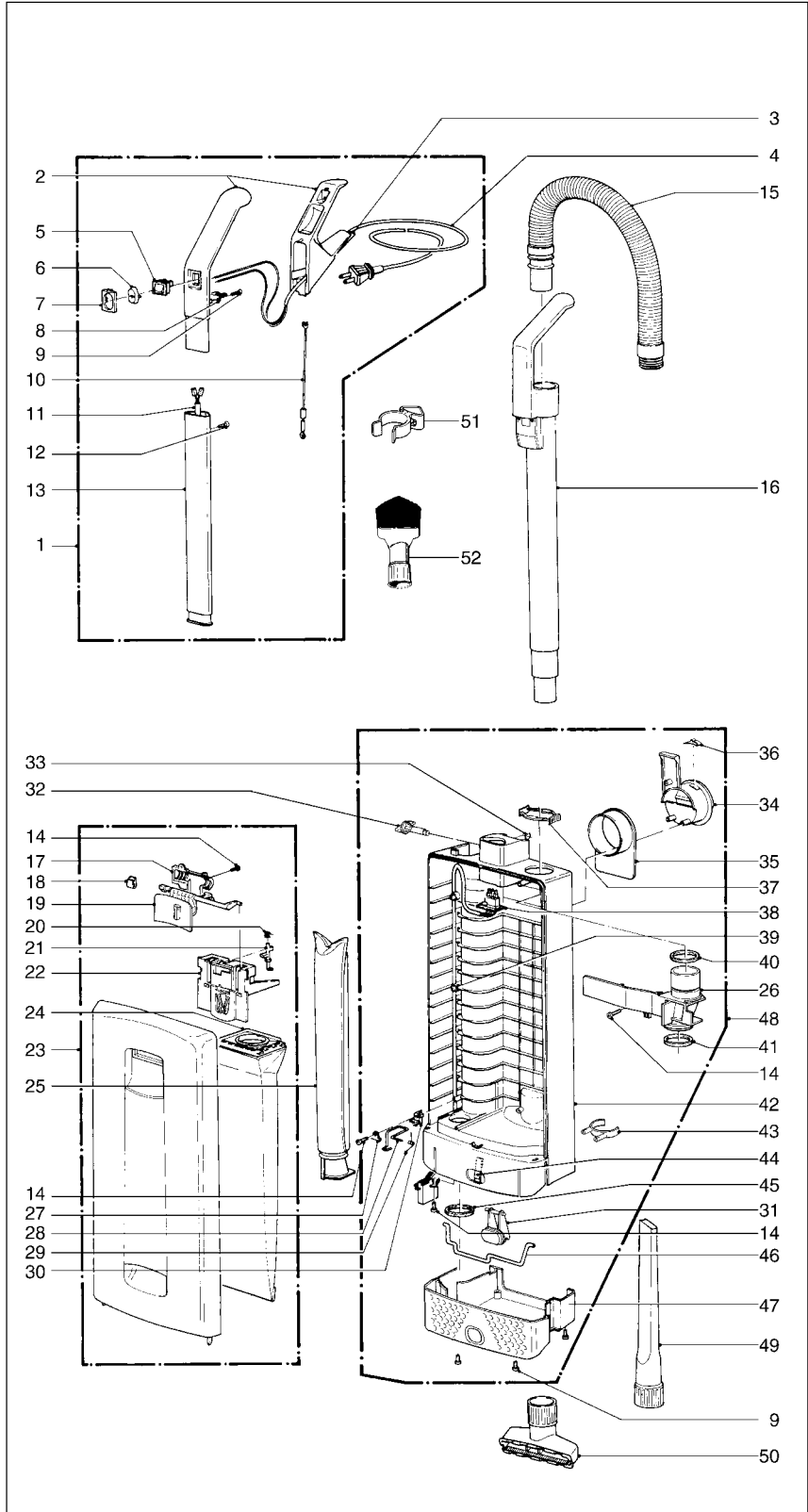
Pos.	Part #	Description
1	5634 AM	Handle complete (dark gray/light gray)
2	5297 SE	Handle grip (incl. pos. 7+10)
3	5359 DG	Grommet
4	5450 DG	Power supply cord
5	05112	Switch
6	5160 HG	Switch cap (light gray)
7	5161 DG	Switch cap holder
8	5162	Cable clamp
9	0103	Screw C 3.9x16 DIN 7981
10	5253 UL	Wire-antistatic
11	5298 ER	Handle cable
12	0129	Screw M 4x12 DIN 966
13	5187	Handle tube
14	0102	Screw F 3.9x13 DIN 7981
15	5040 HG	Hose, cpl.
16	5045 DG	Extension tube
17	5707 GW	Cover (white)
18	5319	Bag holder Spring
19	5706 DG	Cover release (dark gray)
20	5091	Safety catch spring
21	5360	Safety catch
22	5324	Bag holder cpl. (incl. pos. 20+21)
23	5750 SE	Front cover complete (white/dark gray)
	5454	Front cover seal
24	5093 AM	Dust bag pack
25	5036 AM	Micro hygiene filter
26	5380 DG	Internal cover complete (incl. pos. 40+41)
27	1073	Clamp
28	5208	Filter safety catch
29	5210	Return spring
30	5164	Cable clamp
31	5722 DG	Dust bag housing locking catch (dark gray)
32	1859 DG	Handle catch (dark gray)
33	0161	Clip 4, DIN 6799
34	5721 GW	Carrying handle (white)
35	5703 GW	Cable hook (white)
36	5146	Stop spring
37	5424 DG	Retaining ring
38	5299 ER	Internal cable
39	5266	Cable clamp
40	5043	Seal
41	5289	Seal
42	5764 GW	Dust bag housing (white)
43	1823 DG	Attachment clip (dark gray)
44	5084	Spring for locking rod
45	5163	Seal
46	5083	Locking rod
47	5702 GW	Dust bag housing bumper base (white)
48	5755 GW	Dust bag housing, cpl. (white/dark gray)
49	1092 DG	Crevice nozzle
50	1491 DG	Upholstery nozzle
51	5460 DG	Mounting clip
52	1329 DG	Dusting brush

Blue-Yellow Machine

1	5636 AM	Handle complete (dark gray / yellow)
6	5160 SG	Switch cap (yellow)
17	5707 DB	Cover (dark blue)
23	5749 SE	Front cover complete (dark blue / yellow)
31	5722 SG	Dust bag housing locking catch (yellow)
32	1859 SG	Handle catch (yellow)
34	5721 DB	Carrying handles (dark blue)
35	5703 DB	Cable hook (dark blue)
42	5764 DB	Dust bag housing (dark blue)
47	5702 DB	Dust bag housing bumper base (dark blue)
48	5763 DB	Dust bag housing cpl. (dark blue / yellow)

SEBO automatic X4 & X5

Filter Bag Housing and Handle



White-Gray Machine

Pos.	Part #	Description
100	5780 AM	Power head cover, cpl. (white/dark gray)
101	5712 GW	Exhaust filter catch (white)
102	5143	Exhaust filter
103	5711 GW	Exhaust filter cover (white)
104	5729 UL	Swivel neck assembly
105	5176 UL	Male contact holder
106	0102	Screw F 3.9 x 13 DIN 7981
107	2494	Cable clamp
108	5101	Swivel neck bearing r. h.
109	5178	Swivel neck support r. h.
110	5728	Swivel neck support l. h.
111	5171	Swivel neck bearing l. h.
112	5203 ER	PCB 12 V power supply
113	5205	Ribbon cable
114	5713 GW	Brush roller release
115	5103	Spring
116	5051 DG	Axle, assembly
117	5059 DG	Foot pedal
118	5053	Axle
119	5055 DG	Wheel
120	2010	Axle spring
121	2014	Axle clamp
122	5031 GW	Bearing block right hand
123	5010 AM	Brush roller
124	5005 DG	Bumper
125	5155 DG	Rubbing plate
126	5172 OR	Access door (incl. pos. 127 + 128)
127	5303	Access door axle
128	5304	Access door spring
129	5154 DG	Hinge
130	0100	Screw C 2.9 x 9.5 DIN 7981
131	0176 TL	Screw AM 4 x 30 DIN 7985 TL
132	5174 DG	Pile adjustment wheel
133	5060 ER	Servo motor with gear box
134	5411 DG	Front bottom plate, cpl.
135	5412 DG	Rear bottom plate, cpl.) (incl. pos. 136 + 139)
136	5400-1	Sealing strip
137	5401	Wire tie
138	5402	Wire tie
139	0197	Screw M 4 x 12
140	5320 DG	Chassis, cpl.
141	5468	Vacuum motor 1300 W / 120 V
142	05117 S	Carbon brush set / vac mot.
143	5100	Rubber mounting
144	5462	Motor pulley
145	5129	Support lever
146	5107-1	Support spring
147	5112 SW	Motor pulley cover
148	5740 ER	Computer controller
149	0107	Screw C 2.9 x 13 DIN 7981
150	0143	Washer 3.2 DIN 125
151	5173 SW	Cover for air channel
152	5464	Sensor
153	0104	Screw C 3.9 x 25 DIN 7981
154	5463	Belt 2MR-310-6
155	5110	Belt 219 3M HTDII-6
156	5029 HG	Bearing block l. h., cpl.
157	5044 HG	Bearing block l. h.
158	5017 ER	Drive shaft cpl.
159	5327	Bushing
160	5179	Clutch
161	0103	Screw C 3.9 x 16 DIN 7981
162	0141	Locking washer
163	5018 UL	Motor cover
164	5117/1	Sensor pulley
165	5730 DG	Display (dark gray)

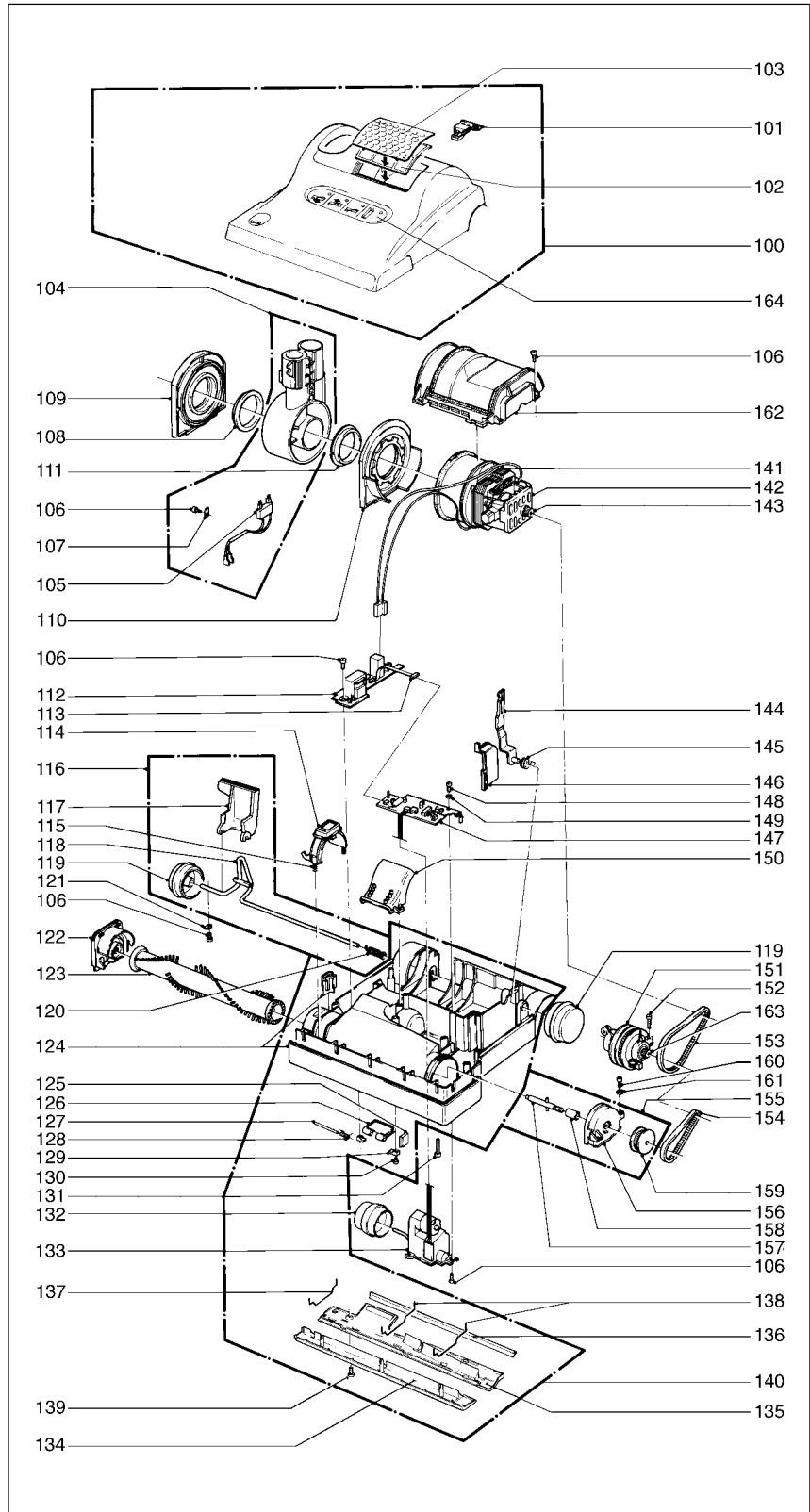
Blue-Yellow Machine

100	5786 AM	Power head cover complete (dark blue / yellow)
101	5712 DB	Exhaust filter catch (dark blue)
103	5711 DB	Exhaust filter cover (dark blue)
114	5713 DB	Brush roller release
122	5031 DB	Bearing block right hand
164	5730 SG	Display (yellow)



SEBO automatic X4

Base



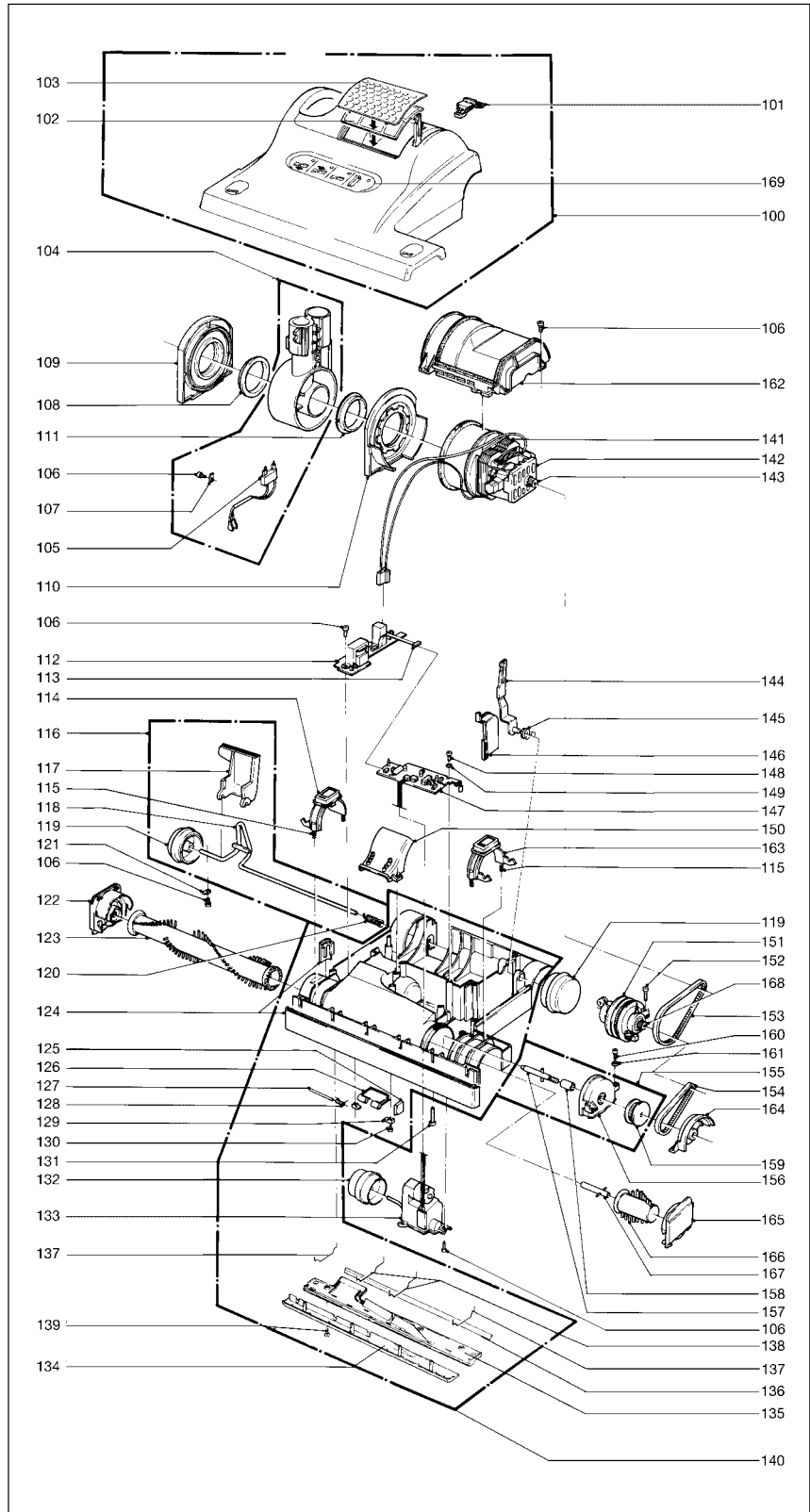


SEBO automatic X5

White-Gray Machine

Pos.	Part #	Description
100	5790 AM	Power head cover, cpl. (white/dark gray)
101	5712 GW	Exhaust filter catch (white)
102	5143	Exhaust filter
103	5711 GW	Exhaust filter cover (white)
104	5729 UL	Swivel neck assembly
105	5176 UL	Male contact holder
106	0102	Screw F 3.9 x 13 DIN 7981
107	2494	Cable clamp
108	5101	Swivel neck bearing r. h.
109	5178	Swivel neck support r. h.
110	5728	Swivel neck support l. h.
111	5717	Swivel neck bearing l. h.
112	5203 ER	PCB 12 V power supply
113	5205	Ribbon cable
114	5713 GW	Brush roller release
115	5103	Spring
116	5051 DG	Axle, assembly
117	5059 DG	Foot pedal
118	5053	Axle
119	5055 DG	Wheel
120	2010	Axle spring
121	2014	Axle clamp
122	5031 GW	Bearing block right hand
123	5290 AM	Brush roller-Set
124	5230 DG	Bumper
125	5155 DG	Rubbing plate
126	5172 OR	Access door (incl. pos. 127 + 128)
127	5303	Access door axle
128	5304	Access door spring
129	5154 DG	Hinge
130	0100	Screw C 2.9 x 9.5 DIN 7981
131	0176 TL	Screw AM 4 x 30 DIN 7985 TL
132	5174 DG	Pile adjustment wheel
133	5060 ER	Servo motor with gear box
134	5413 DG	Front bottom plate, cpl.
135	5414 DG	Rear bottom plate, cpl.) (incl. pos. 136 + 139)
136	5400-2	Sealing strip
137	5401	Wire tie
138	5402	Wire tie
139	0197	Screw M 4 x 12
140	5321 DG	Chassis, cpl.
141	5468	Vacuum motor 1300 W / 120 V
142	05117 S	Carbon brush set / vac mot.
143	5100	Rubber mounting
144	5462	Motor pulley
145	5129	Support lever
146	5107-1	Support spring
147	5112 SW	Motor pulley cover
148	5740 ER	Computer controller
149	0107	Screw C 2.9 x 13 DIN 7981
150	0143	Washer 3.2 DIN 125
151	5173 SW	Cover for air channel
152	5465	Sensor
153	0104	Screw C 3.9 x 25 DIN 7981
154	5463	Belt 2MR-310-6
155	5110	Belt 219 3M HTDII-6
156	5242 HG	Bearing block l. h., cpl.
157	5243 HG	Bearing block l. h.
158	5236	Drive shaft cpl.
159	5327	Bushing
160	5179	Clutch
161	0103	Screw C 3.9 x 16 DIN 7981
162	0141	Locking washer
163	5018 UL	Motor cover
164	5714 GW	Brush roller release (white)
165	5244 HG	Seal bearing
166	5249 GW	Brush cover (white)
167	5250	Edge brush
168	5246	Shaft extension, cpl.
169	5117/1	Sensor pulley
170	5730 DG	Display (dark gray)

Base



Blue-Yellow Machine

100	5796 AM	Power head cover complete (dark blue / yellow)
101	5712 DB	Exhaust filter catch (dark blue)
103	5711 DB	Exhaust filter cover (dark blue)
114	5713 DB	Brush roller release
122	5031 DB	Bearing block right hand
163	5714 DB	Brush roller release (dark blue)
165	5249 DB	Brush cover (dark blue)
169	5730 SG	Display (yellow)



SEBO Vacuum Cleaner Warranty

Three Years Non-Wear Parts - One Year Labor

- Your authorized SEBO dealer or SEBO will provide the original product purchaser with replacement of Non-Wear Parts which fail due to a material or workmanship defect for a period of three (3) years from the original date of purchase of new product. The drive belts on a SEBO *automatic* X machine are guaranteed for the life of the machine.
- Your authorized SEBO dealer or SEBO will repair (or SEBO will cover labor charges associated with repair) a defective SEBO *automatic* X machine at no cost to the original purchaser, within one (1) year of original purchase of new product.
- SEBO America, Floor Care Equipment, Ltd., or an authorized SEBO dealer must complete all warranty repairs.
- To locate an authorized SEBO dealer in your area, or to register a warranty claim in the **United States of America, please call SEBO America at (800) 334-6614.**
- To locate an authorized SEBO dealer or to register a warranty claim in **Canada, please call Floor Care Equipment, Ltd. at (800) 661-8687.**
- The warranties provided for above apply exclusively to SEBO vacuum cleaners which are used residentially. No warranty is provided for SEBO vacuum cleaners used commercially.
- The Wear Parts excluded from warranty coverage include filter (dust) bags, micro-hygiene filters, exhaust filters, the cable (external cord), the attachment hose, the brush rollers, the front bottom plate, the rear bottom plate, the sealing strip, the attachment tube, the crevice nozzle, the upholstery nozzle, the dusting brush and all of the optional attachments. (See "Optional Attachments" on page 5 of this manual).
- This warranty applies only while your SEBO vacuum cleaner is physically located within the United States of America and its territories or Canada.
- The purchase receipt showing the date, price, and item of purchase is the initial document of proof of purchase and determines the validity of warranty. To be certain that your warranty claim can be processed as quickly and efficiently as possible, please retain your original purchase receipt and mail in the warranty card provided with your new SEBO vacuum cleaner.
- This warranty gives you specific legal rights. You may also have other legal rights, which vary from state/province to state/province.
- SEBO America will not process nor will it accept responsibility for warranty claims for machines purchased from dealers located in Canada. Floor Care Equipment, Ltd. will not process nor will it accept responsibility for warranty claims for machines purchased from dealers located in the United States.

EXCLUSIVE REMEDY:

The remedies provided under the terms of this Warranty are the purchaser's exclusive remedies and are in lieu of any other remedies otherwise available.

THE WARRANTY DOES NOT COVER:

- Used or secondhand products.
- Products outside of the warranty period.
- Items not manufactured by SEBO.
- Normal maintenance service.
- Equipment damaged by improper use, accident, other casualty or negligence.
- Machines equipped with nonauthorized attachments or modifications.
- Machines on which the serial number has been altered or removed.

LIMITATIONS AND EXCLUSIONS:

SEBO MAKES NO OTHER REPRESENTATIONS OR WARRANTIES, EXPRESSED OR IMPLIED AND SPECIFICALLY EXCLUDES THE IMPLIED WARRANTIES OF MERCHANTABILITY AND FITNESS FOR A PARTICULAR PURPOSE.

SEBO WILL NOT BE LIABLE FOR INCIDENTAL OR CONSEQUENTIAL DAMAGES OF ANY KIND OR NATURE.

THIS DISCLAIMER OF IMPLIED WARRANTIES SHALL NOT APPLY TO THE EXTENT SAID DISCLAIMER IS NOT ALLOWED BY APPLICABLE STATE/PROVINCIAL LAW.

To contact SEBO in the United States of America:

SEBO America, LLC
Telephone: (800) 334-6614 • (303) 792-9181
Fax: (303) 792-9196
E-mail: info@sebo-vacuums.com
Website: www.sebo.us

To contact SEBO in Canada:

Floor Care Equipment, Ltd.
Telephone: (800) 661-8687 • (403) 250-5005
Fax: (403) 250-5057
E-mail: fcequip@shaw.ca