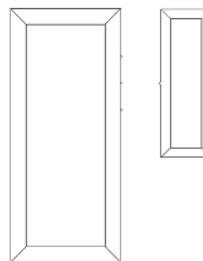


EV-DW4975 Vanishing Door/Window Contact- Installation Manual

Introduction

The EV-DW4975 is the industries thinnest supervised door/window contact allowing a multitude of applications while hiding the transmitter on a door or window frame. The EV-DW4975 uses a replaceable lithium battery and should last 5 years under normal usage.



Install or Replacing the Battery

The EV-DW4975 uses a Panasonic CR2032 Lithium Battery and is shipped not installed to save battery life.

Follow the steps below to install or replace the battery.

- 1) Using a coin (Figure 1) or a flat head screw driver (Figure 2) insert into the notch located on the case and gently twist to open. Lift up and pull the case outward to open (Figure 3).
- 2) Insert Battery (figure 4) + side facing UP.

Use care when installing the battery and observe the correct polarity when the battery is inserted . Use only Panasonic Lithium CR2032 batteries for replacement.

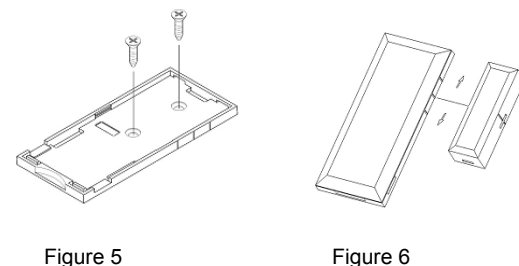
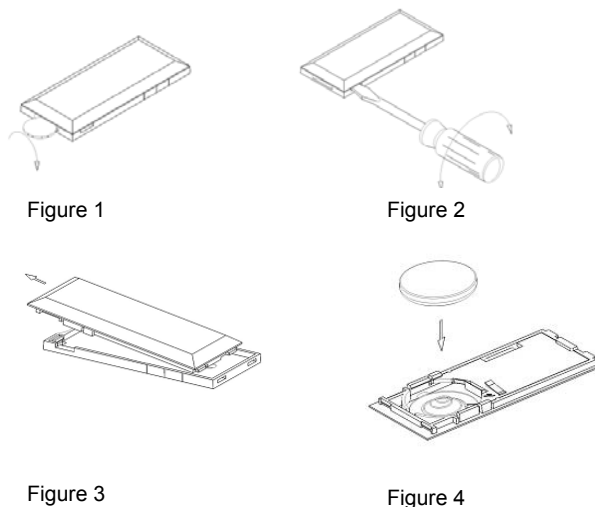
***WARNING!:** Battery may explode if mistreated. Do not recharge, disassemble or dispose of in fire.*

Mount Transmitter and Magnet

- 1) Mount the EV-DW4975 on any window or door frame using the supplied double strick tape or screws (Figure 5).
- 2) Find the notch on the outside of the EV-DW4975 enclosure. Align the manget with the nothces and ensure that the distance is no greater than 5/8 of an inch (Figure 6)

Enrolling

Refer to your installation manual for enrolling wireless devices into a DSC control panel.



Temperature Specifications:

The EV-DW4975 is not design to be placed in an environment where the temperature drops below -10C or goes above +50C. Temperatures below -10C can cause the EV-DW4975 to falsely report a low battery after a few years of service. As the battery depletes over time the internal impedance is lowed and at extreme temperatures below -10C can cause a false positive. If you choose to use the EV-DW4975 in an environment below -10C, the battery life can be reduced to as little as 3 years instead of the specified 5 years of life.

FCC/IC Compliance Statement:

Any changes or modifications not expressly approved by the party responsible for compliance could void the user's authority to operate the equipment.

This equipment has been tested and found to comply with the limits for a Class B digital device, pursuant to part 15 of the FCC Rules. These limits are designed to provide reasonable protection against harmful interference in a residential installation. This equipment generates, uses and can radiate radio frequency energy and, if not installed and used in accordance with the instructions, may cause harmful interference to radio communications. However, there is no guarantee that interference will not occur in a particular installation. If this equipment does cause harmful interference to radio or television reception, which can be determined by turning the equipment off and on, the user is encouraged to try to correct the interference by one or more of the following measures:

- Reorient or relocate the receiving antenna.
- Increase the separation between the equipment and receiver.
- Connect the equipment into an outlet on a circuit different from that to which the receiver is connected.
- Consult the dealer or an experienced radio/TV technician for help

This device complies with part 15 of the FCC Rules. Operation is subject to the following two conditions: (1) This device may not cause harmful interference, and (2) this device must accept any interference received, including interference that may cause undesired operation.