



IBK-03
Bluetooth Keyboard
User Manual

Thank you for purchasing this product, please read carefully before using this manual for the correct use and storage methods, I hope you have an enjoyable experience.

Precautions

- ▶ Do not drop or strong impact on your keyboard.
- ▶ Do not disassemble or alter in any way your keyboard, disassemble or modify your keyboard will cause your warranty, there are keyboard short circuit or fire may result.
- ▶ Do not use your keyboard in a humid environment, the liquid will penetrate the keyboard may cause damage to the product or may cause a short circuit and fire.
- ▶ Use the correct power supply for charging, improper power supply charge will cause damage to the keyboard or fire risk.

Product Specifications

Product Name: Bluetooth Folding Keyboard

Model: IBK-03

Size: 324*106*11mm

Weight: 185g

Material: ABS

Keyboard: Standard QWERT keyboard

Bluetooth: Bluetooth 3.0

Distance: 10M

Compatible with: Android/iOS/Windows

Li-BatteryCapacity : 200mAh

Work Hour: 20H continuous use

Standby: 22days

Key life: 1,000,000 times

Charging voltage: DC5V

Charging current: 100mA

Sleep Current: 50uA

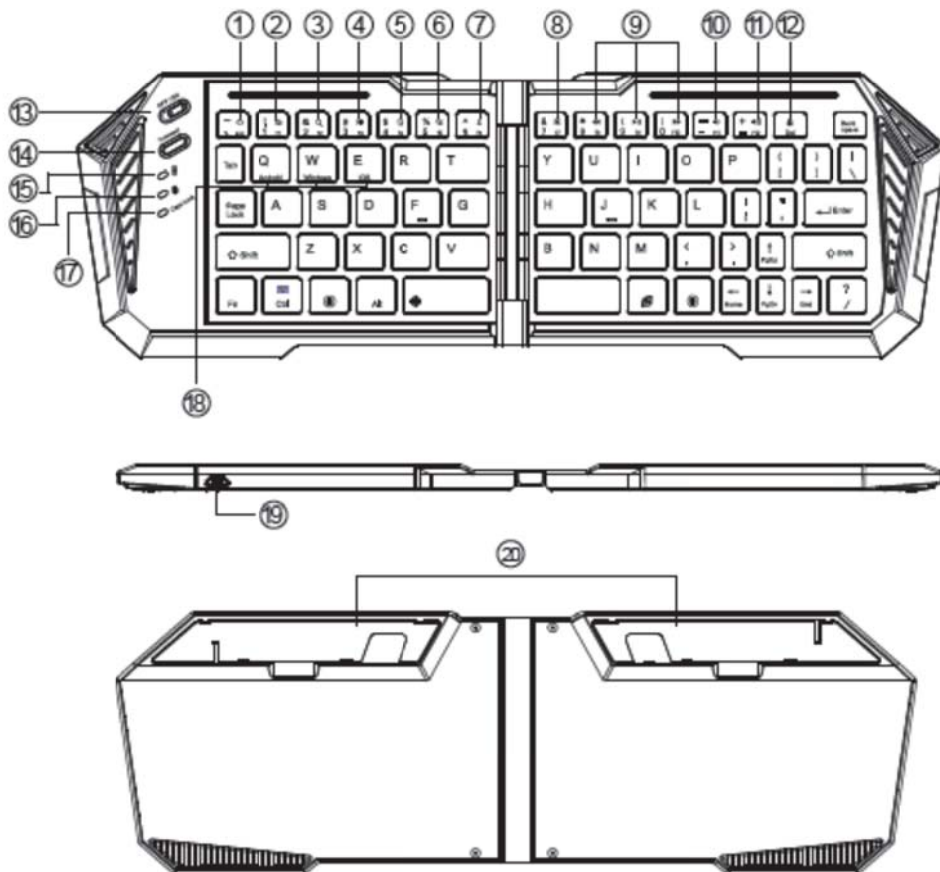
Working Current: 10mAh

Working Peak current: 30mA

Product Features

- ▶ Compact Bluetooth 3.0 BROADCOM BCM20730 Chipset.
- ▶ Full size QWERTY layout with dedicated functions keys for pleasant typing.
- ▶ Work with iOS、Android、Windows system Bluetooth-enabled tablets, laptops, and computers.
- ▶ Portable pocket folding keyboard with mini travel stand for an enjoyable trip.
- ▶ Built-in 200mA rechargeable lithium battery, for 20 hours continuously work.

Product Layout



- | | |
|-----------------------------|---------------------------------|
| 1、 HOME | 12、 Screen lock |
| 2、 Return | 13、 Power on/off |
| 3、 Search | 14、 Bluetooth pairing button |
| 4、 iOS off-screen | 15、 The power indicator |
| 5、 Mail | 16、 Bluetooth pairing indicator |
| 6、 Cut | 17、 Caps lock indicator |
| 7、 Copy | 18、 Fn + Q to Android system |
| 8、 Paste | Fn + W to Windows system |
| 9、 Playback control buttons | Fn + E to iOS system |
| 10、 Volume down | 19、 USB charging port |
| 11、 Volume up | 20、 Tablet PC Stand |

Use shortcut keys: Fn + shortcut keys

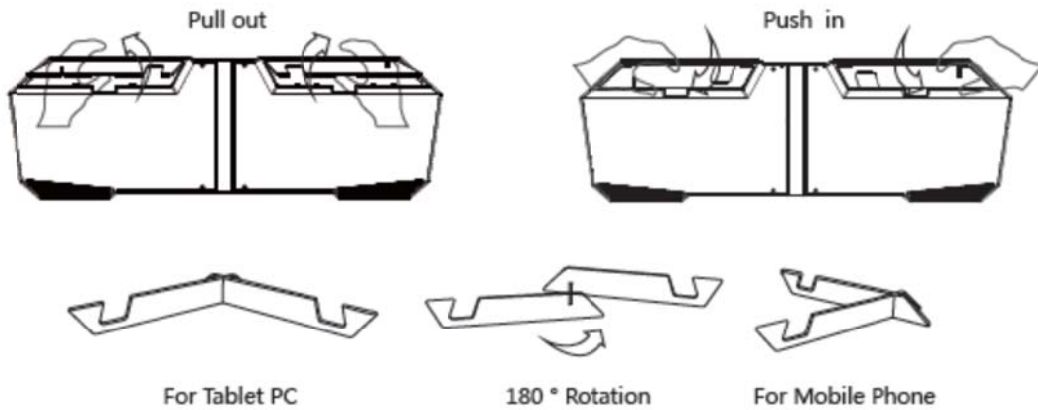
Note :

1) Button F1-F12 is only valid under Windows, and multimedia shortcut keys only effective on iOS or Android system.

2) physical keyboard input method in the Android system is the "ctrl + space" to switch, iOS system is the "COM + space" to switch, Windows systems are "ctrl + shift" switch. If your system is only set up a language input method or the system itself is only one language input method, this function is invalid.

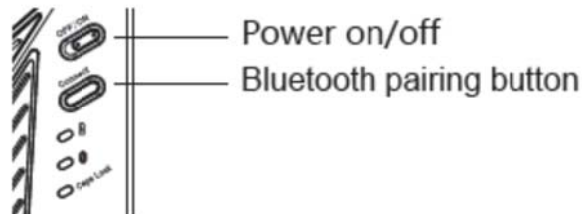
(Input method has a virtual keyboard input method and physical keyboard input method of the points, the virtual keyboard refers touch keyboard, physical keyboard refers Bluetooth keyboard, tablet or mobile phone when you touch the keyboard that corresponds to the language corresponding to the input, and Bluetooth keyboard does not correspond to the input, please check your tablet or phone has installed the corresponding language input method or set the correct input method.)

Bracket Instructions



Instructions For Use

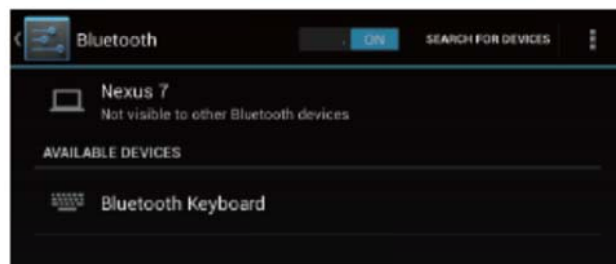
1、 Press power switch to turn keyboard on, and press pairing button to active the pairing mode; while Bluetooth indicator is flashing, your keyboard is set up for pairing.



2、 Turn on Bluetooth and search for “Bluetooth Keyboard”.



iOS



Android

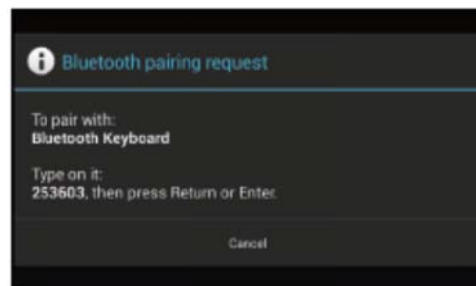


Windows 8

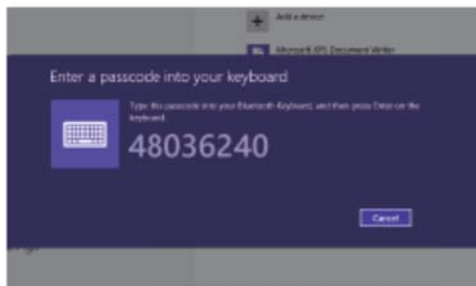
3、 Click “Bluetooth Keyboard” to connect, you might be asked to type a set of passcode using this keyboard, and hit “Enter” key to confirm.



iOS



Android

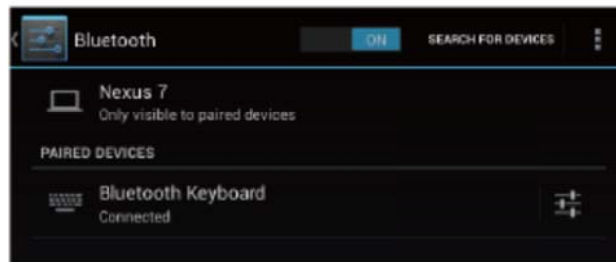


Windows 8

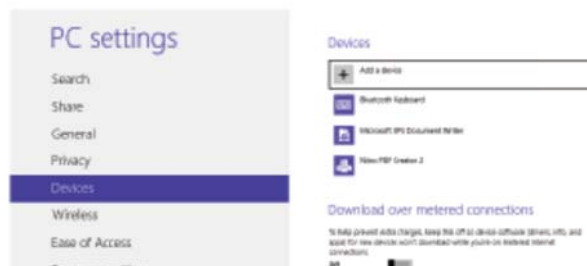
4、 After few seconds, your keyboard should be paired and ready to go.



iOS



Android



Windows 8

5、 Based on your operation system, use “Fn + Q” for Android, use “Fn+W” for windows, use “Fn+E” for iOS, next time you do not need to pair for the same device.

After successful pairing, the next use only the power switch and turn on the Bluetooth keyboard Bluetooth devices, Bluetooth keyboard will automatically connect to the last device search, no further pairing operation.

Frequently Asked Questions

Q1: My tablet can not connect to the keyboard, any suggestions?

- A: 1) Make sure you are running out of battery, recharge if necessary.
2) Make sure you hit the pair button , so that your keyboard in pairing mode
3) Make sure your device has Bluetooth, and the Bluetooth is turned on to discover new devices

Q2: Why I can not use Bluetooth Keyboard shortcuts for my Windows?

- A: Sorry that we set up those keys already for windows F1 to F12.

Q3: In iOS, Android how to use keyboard shortcuts?

- A: In iOS, Android, you should hold "Fn" and press the corresponding shortcuts keys for that function.

Q4: Why I am in uppercase mode, the Caps Lock light is not on?

- A: This is normal as your system might be customized, but the important thing is that the Caps Lock does work.

Package Contents

Bluetooth keyboard
USB charging cable
User Manual

After Service

Bluetooth keyboard provides one year warranty service.

FCC WARNING

This device complies with Part 15 of the FCC Rules. Operation is subject to the following two conditions:

- (1) This device may not cause harmful interference, and
- (2) this device must accept any interference received, including interference that may cause undesired operation.

NOTE: Any changes or modifications to this unit not expressly approved by the party responsible for compliance could void the user's authority to operate the equipment.