

WirelessHD Transmitter





User's Guide.....2

Notes on Safety

Safety Indications

The documentation uses graphical symbols to show how to use the WirelessHD Transmitter safely. The following shows the symbols and their meanings. Please understand and respect these caution symbols in order to avoid injury to persons or property.

 Warning	This symbol indicates information that, if ignored, could possibly result in serious personal injury or even death due to incorrect handling.
 Caution	This symbol indicates information that, if ignored, could possibly result in personal injury or physical damage due to incorrect handling.

Warning

- Pacemakers may be affected by electromagnetic interference which could cause malfunctions to occur. Make sure the product is at least 20 cm away from anyone with a pacemaker implanted. Also, make sure there is no one using a pacemaker in the immediate surroundings.
- Medical equipment may be affected by electromagnetic interference which could cause malfunctions to occur. Make sure there is no medical equipment in the immediate surroundings.
- Automatically controlled equipment may be affected by electromagnetic interference which could cause an accident to occur due to malfunctions. Do not use the product near automatically controlled equipment such as automatic doors or fire alarms.

Caution

- Do not install the product in poorly ventilated locations such as on an AV rack or in a cabinet. Overheating could cause malfunctions to occur.
- When using the WirelessHD Transmitter, make sure there is nothing covering the vents and that it is placed on a flat surface at least 5 cm away from anything around or above it.
- Avoid locations subject to high temperatures such as close to heaters.
- If the product is being used continuously, make sure it is at least 20 cm away from anyone in the surrounding area.
- The antenna for the WirelessHD Transmitter is on the front of the product. If you are close to the WirelessHD Transmitter, do not look at it for long periods of time.
- Only use the AC adapter supplied with this product. Do not use the AC adapter supplied with any other products.

Caution

- The WirelessHD Transmitter cannot be suspended from a wall.
- The WirelessHD Transmitter cannot be used from any position.
- Setup the projector and the WirelessHD Transmitter so that they are facing each other.
- Do not place any obstacles between the projector and the WirelessHD Transmitter.
- This product is for indoor use only. Do not use it outdoors.
- This product is only for use in the country of sale.
- Because the WirelessHD Transmitter performs wireless communication when communicating and when standing by, the external case may become warm. This does not indicate a malfunction.

Notes on Usage

Restrictions due to the Radio Act

The following actions are prohibited under Radio Acts passed in various countries.

- Remodeling or disassembling (including the antenna)
- Removing the conformance label

Restriction of Use

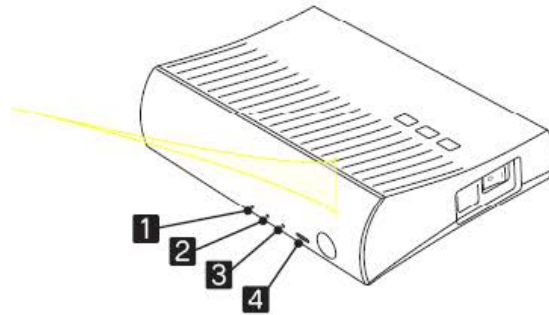
- The projector and the WirelessHD Transmitter are manufactured according to the specifications of the country of sale.
- When this product is used for applications requiring high reliability/safety such as transportation devices related to aviation, rail, marine, automotive etc.; disaster prevention devices; various safety devices etc; or functional/precision devices etc, you should use this product only after giving consideration to including fail-safes and redundancies into your design to maintain safety and total system reliability. Because this product was not intended for use in applications requiring extremely high reliability/safety such as aerospace equipment, main communication equipment, nuclear power control equipment, or medical equipment related to direct medical care etc, please make your own judgment on this product's suitability after a full evaluation.

Requesting Service

If you notice anything unusual during operation, or notice any damage, stop using the product immediately and contact the nearest address provided in the projector's User's Guide, or contact your local dealer.

Indicator Status

- 1  indicator (Blue)
- 2 WiHD indicator (Blue)
- 3 Link indicator (Blue)
- 4 TV indicator (Blue)



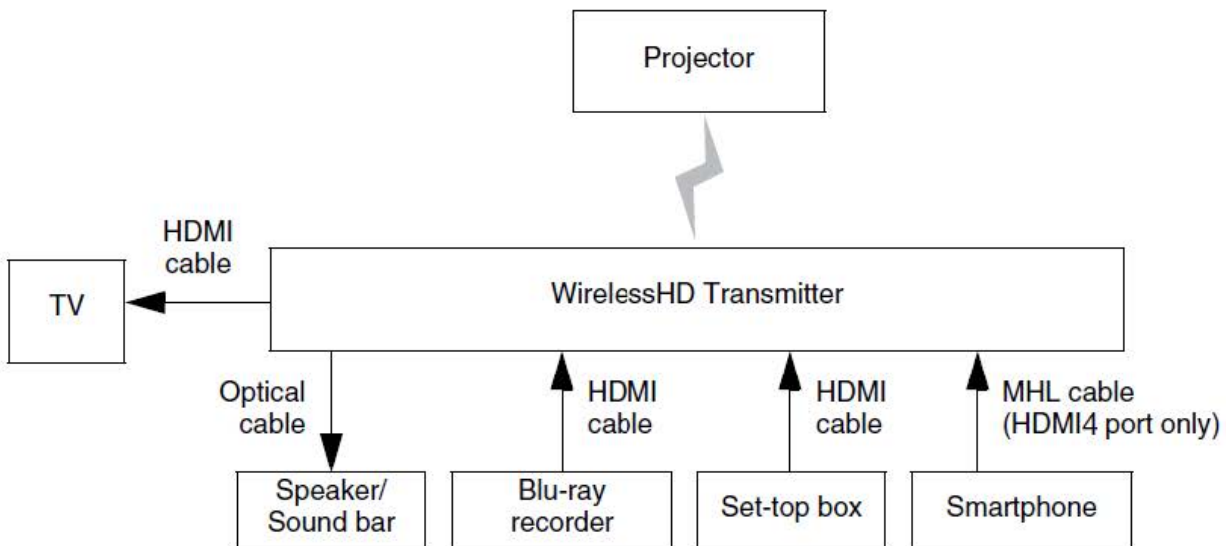
● : Lit/ ● (with three dots above) : Flashing/ ○ : Off

On/ Standby	WiHD	Link	TV	Indicates
○	○	○	○	Power is off.
●	○	○	○	Startup has been completed successfully, images can be output to the television or other monitor device connected to the Output port.
● (with three dots above)	●	○	○	WirelessHD communication is available at startup.
●	●	● (with three dots above)	○	WirelessHD communication is available while searching for the projector.
●	●	●	○	Images are being projected.
●	○	○	●	Output to the television or other device connected to HDMI Out.

Connection Examples

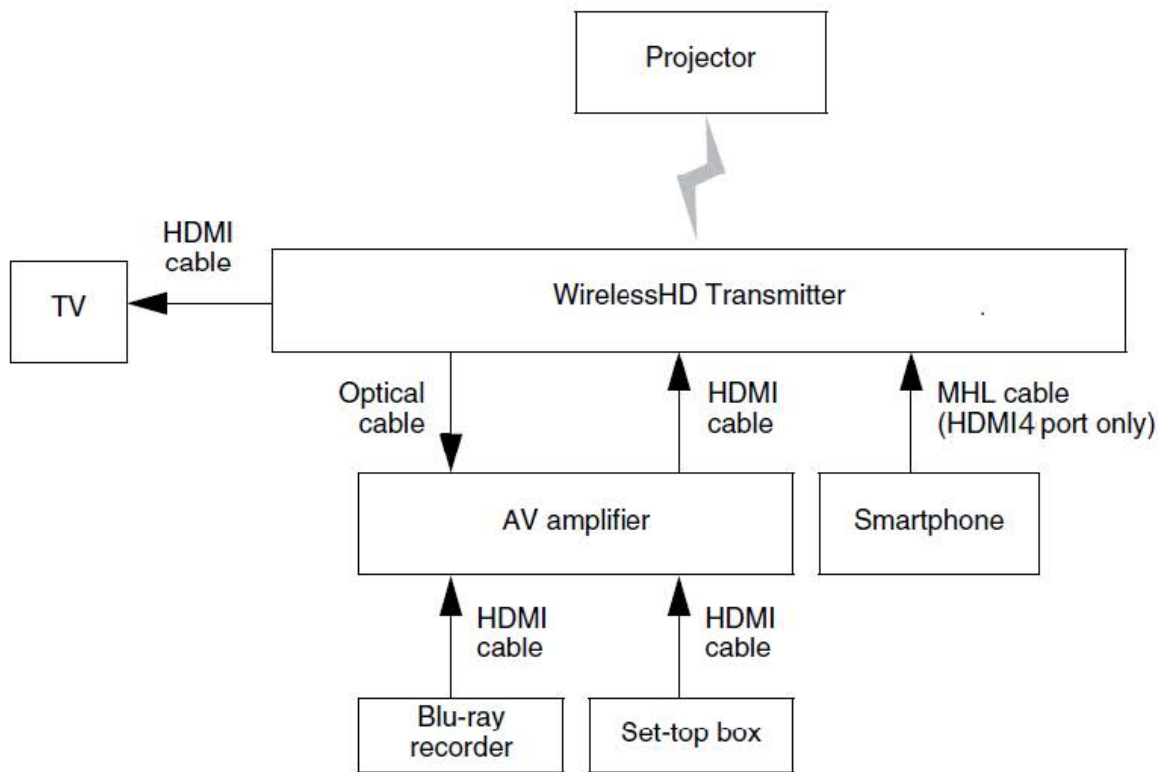
Connection examples of the WirelessHD Transmitter and EPSON projector are described below.

Connection Example 1. Listening to Audio with a Speaker or Sound Bar



- If you want to output the audio of a connected device, purchase a commercially available optical cable.
- An HDMI or MHL device connected to the WirelessHD Transmitter can be controlled with the projector's remote control. However, the remote control may not work if an MHL-HDMI conversion adapter is used.

Connection Example 2. Listening to Audio with an AV Amplifier



- If you want to output the audio of a connected device, purchase a commercially available optical cable.
- An HDMI or MHL device connected to the WirelessHD Transmitter can be controlled with the projector's remote control. However, the remote control may not work if an MHL-HDMI conversion adapter is used.
- The audio output method to an AV amplifier may be restricted depending on the specifications of the television or other monitor device connected to the Output port. For details on the audio output settings, refer to the User's Guide of each AV device.

Storage and Maintenance

Clean the case of the WirelessHD Transmitter by wiping it gently with a soft cloth. If it is particularly dirty, moisten the cloth with water containing a small amount of neutral detergent, and then firmly wring the cloth dry before using it to wipe the surface. Do not use volatile substances such as wax, alcohol, or thinner to clean the projector's surface. The quality of the case may change or the paint may peel off.

Specifications

Usable frequency	60 GHz band (2 - 3 ch)
Wireless transmission range	10 m
Power consumption (during operation)	9 W
Power consumption (during standby)	100 - 120 V :0.10 W 220 - 240 V :0.17 W
Operating temperature	+5 to 35 °C (no condensation)
Copyright protection	HDCP compatible
WirelessHD standards	Conforms to WirelessHD Ver. 1.1
Appearance	175 (W) x 62.2 (H) x 164 (D) mm
Mass	Approx. 0.5 kg
Connectors	HDMI Input port x 4 (MHL signal is only for HDMI4 port) HDMI Output port x 1 Optical Audio-Out port x 1 USB charger port x 1
AC adapter	12 V/2.5 A

Trademarks

WirelessHD, WiHD, and the WiHD logo are trademarks or registered trademarks of WirelessHD LLC.

HDMI and High-Definition Multimedia Interface are the trademarks or registered trademarks of HDMI Licensing LLC. **HDMI**[™]

HIGH DEFINITION MULTIMEDIA INTERFACE

MHL and the MHL logo are a trademark, registered trademark or service mark of MHL, LLC in the United States and/or other countries.

Other product names used herein are also for identification purposes only and may be trademarks of their respective owners. Epson disclaims any and all rights in those marks.