

Proof Sign-off:  
M.Yamada CRE Kawakami  
J.Miyakoshi  
editor name

**R4CB56**  
**Bluetooth**

COVER.FM  
10/29/02

**Rev. B**

A5 size

R

**EPSON®**



---

# User's Guide

---

---

## **Contents**

Safety Instructions .....	1
Warnings, Cautions, and Notes .....	1
When using this product .....	1
About This Product .....	2
About Profiles .....	3
Names of Component Parts .....	3
Connecting with/disconnecting from a printer .....	4
Connecting .....	4
Disconnecting .....	5
Set Bluetooth preferences .....	6
Setting items and values .....	6
Settings .....	7
Setting up the Bluetooth Passkey (Bluetooth PIN) .....	8
Print Settings and Printing .....	10
Print settings .....	10
Printing .....	11
Specifications of This Product .....	12
Basic specifications .....	12
Profiles supported .....	12
Wireless Regulatory Information .....	13
Copyrights and Trademarks .....	15

---

## Safety Instructions

Before using this product, read all of the instructions in this section and also refer to the documentation packed with your printer.

### Warnings, Cautions, and Notes



**Warnings**

*must be followed carefully to avoid bodily injury.*



**Cautions**

*must be observed to avoid damage to your equipment.*

**Notes**

*contain important information and useful tips on the operation of your printer.*

---

### When using this product

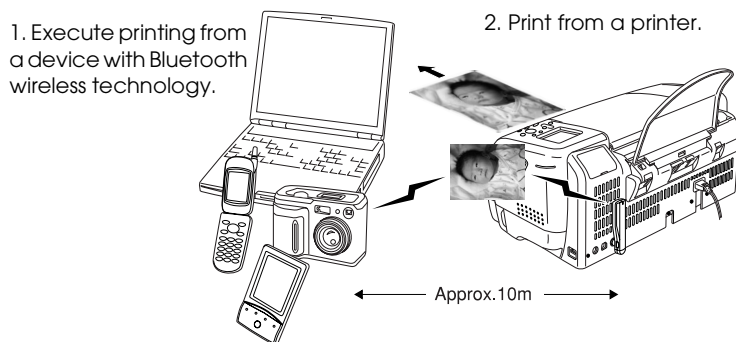


**Warning:**

- Do not use this product near medical equipment. Radio wave may adversely affect cardiac pacemakers and electrical medical equipment. Do not use this product inside medical facilities.*
- Use this product at least 22 cm away from the region where the cardiac pacemaker is implanted. Radio wave may adversely affect the functionality of the cardiac pacemaker.*
- Do not use this product near automatically controlled devices such as automatic doors and fire alarms. Radio wave may adversely affect these devices, and may cause accidents due to malfunctions.*
- Do not disassembly or modify this product. Doing so will cause injury, electric shock and/or fire.*

## About This Product

This product is a wireless communication module used to print from digital cameras and other devices with Bluetooth™ wireless technology without cables when connected with EPSON printers.



The illustration above shows an image.

### Note:

- ❑ While compatible with the Bluetooth wireless technology standard, this product has not been confirmed to be compatible with all products enabled with Bluetooth wireless technology. Further, this product cannot be guaranteed to work when connected with other products that are enabled with Bluetooth wireless technology.
- ❑ To obtain technical support, refer to the documentation attached to the printer.
- ❑ Although the wireless communication range of this product is approximately 10 meters, this may vary depending on conditions including obstacles between the communication devices, the electromagnetic signal quality, magnetic fields, static electricity and electromagnetic interference, software used, operating system, reception sensitivity of communicating devices, and antenna performance.

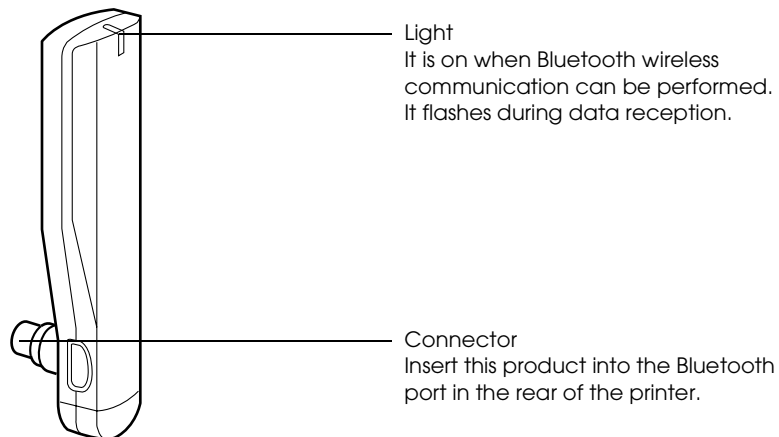
## About Profiles

Profiles are standards for Bluetooth wireless communication. Multiple profiles are defined according to the features and purpose of each product. To perform Bluetooth wireless communication, the communicating devices must have mutually compatible profiles.

**Note:**

*The profiles that can be used with this product are Basic Imaging Profile (BIP) and Hardcopy Cable Replacement Profile (HCRP). This product cannot communicate with products with Bluetooth wireless technology that cannot use BIP and HCRP.*

## Names of Component Parts



---

## **Connecting with/disconnecting from a printer**

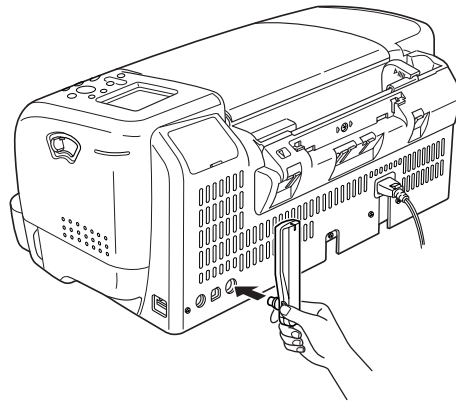
### **Connecting**

1. Turn off the printer power.

**Caution:**

*Do not connect while the printer power is on. Doing so may cause the printer to malfunction.*

2. Insert this product into the Bluetooth port in the rear of the printer.



3. Turn on the printer power.

The power light comes on.

## Disconnecting

1. Turn off the printer power.

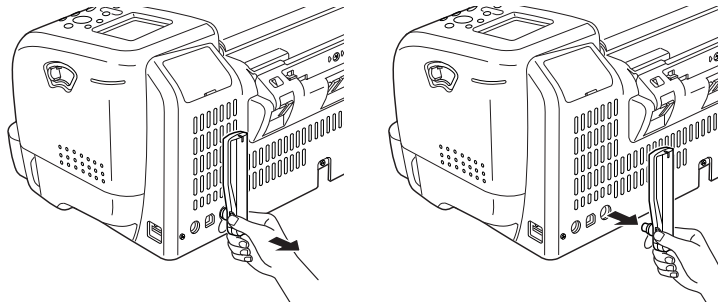
Verify that the LCD panel display goes off.



**Caution:**

*Do not disconnect this product while the printer power is on.  
Doing so may cause the printer to malfunction.*

2. Remove this product from the Bluetooth port in the rear of the printer by holding the sections as shown in the figure below.



**Caution:**

*Do not remove this product by holding its upper section.  
Doing so may damage the product.*

## Set Bluetooth preferences

Set the preferences for Bluetooth on the printer's LCD panel.

### Setting items and values

The items and values of the preferences for Bluetooth set on the LCD panel are as follows.

Setting item	Setting value	Description	
Printer ID	Printer name-Any number from 0 through 9 (Default value: 1)	If there are multiple printers within a range where Bluetooth wireless communication is possible, printers can be identified by assigning a printer ID to each printer.  Printer ID settings will take effect when the printer power is turned off once and then on again.	
Connectivity	Public/Private/ Bonding	Public	This mode allows search and printing from devices with Bluetooth wireless technology.
		Private	This mode prohibits search from devices with Bluetooth wireless technology.  To print, it is therefore necessary to search for this product in Public mode first.
		Bonding	This mode requires a Bluetooth Passkey to search and print from devices with Bluetooth wireless technology.



Encryption	On/Off (Default setting: Off)	The content of communication can be encrypted. The entry of a Bluetooth Passkey is required for encryption.
Passkey	Any 4-digit number (Default value: 0000)	If a Bluetooth Passkey (any 4-digit number) is set as the Passkey setting, it must always be entered on a digital camera or other device before printing. This is used to prevent interference from other products with Bluetooth wireless technology.  To use a Bluetooth Passkey, select Bonding in Connectivity.
Device Address	(Example) 11-11-11-11-11-11	Displays the unique Bluetooth communication address of this product. If it is necessary to enter the device address of this product on another device that will communicate with this product, communication may not be possible if the device address displayed here is entered. If that happens, contact EPSON.

## Settings

1. Connect this product with your printer. For connecting the unit, refer to "Connecting with/ disconnecting from a printer" on page 4.



**Caution:**

*Be sure to connect this product after turning off the printer power. If this product is connected while the printer power is on, the printer may malfunction.*

2. Press the ▼ or ▲ button to select Advanced Settings, and then press ⊖ button.



3. Select a setting item with ▼ or ▲, and then change its setting value. Refer to "Setting items and values" on page 6 for setting items and values.



**Note:**

*If you are not sure of the LCD panel operating procedure, refer to the User's Guide that comes with your printer.*

### **Setting up the Bluetooth Passkey (Bluetooth PIN)**

Once you set up a Bluetooth Passkey, the entry of a Bluetooth Passkey is always required on devices with Bluetooth wireless technology.

The default value has been set to 0000.

1. Select Passkey with ▼ or ▲, and then press ⊖ button.



2. Select a number for the first digit with ▼ or ▲, and then press ⊖ button.



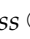
3. Select a number for the second through fourth digits in the same manner, and then press ⊖ button.

When Apply appears, press ⊖ button to apply the Bluetooth Passkey.

This example sets "1234."



**Note:**

Press  button to go back to the previous digit.

---

## **Print Settings and Printing**

Perform print settings and printing on the printer's LCD panel or a device that sends printing data to the printer.

### **Print settings**

The items that can be set on the printer's LCD panel and those that can be set on the device sending print data vary with the profile used.

**Note:**

The setting items and their values on the device sending print data vary with the device used. For more information, refer to the user's manual of the device used.

**Print settings when using Basic Image Profile**

Settings	LCD panel Setting	Device Setting	Remarks
Print Mode	No setting required		Set to One.
Paper Type	Enable	Disable	
Quality	Enable	Disable	
Paper Size	Enable	Disable	
Layout	Enable	Disable	
Copies	Enable	Disable	
Select Photo	Disable	Enable	

**Print settings when using Hardcopy Cable Replacement Profile**

Settings	LCD panel Setting	Device Setting	Remarks
Print Mode	Disable	Enable	Prints according to the settings of the device that sends print data.
Paper Type			
Quality			
Paper Size			
Layout			
Copies			
Select Photo			

**Note:**

*If data was printed using Hardcopy Cable Replacement Profile (HCRP), the size of the data increases. Therefore, it takes longer to print.*

**Printing**

For information about how to print from a digital camera or other device with Bluetooth wireless technology, refer to the user's manual that comes with the device as well as the user's manual that comes with your printer.

---

## **Specifications of This Product**

Bluetooth Unit C824\*\*\*

**Note:**

*The asterisk is a substitute for the last digit of the product number, which varies by location.*

### **Basic specifications**

Communication system	Bluetooth Standard Version 1.1
Output	Bluetooth Standard Power Class 2
Communication distance	Line-of-sight distance: Approximately 10 m (*This may vary depending on various conditions including obstacles between the communication devices, the electromagnetic signal quality, magnetic fields, static electricity and electromagnetic interference, software used, operating system, reception sensitivity of communicating devices, and antenna performance.)
Operating frequency band	2.4GHz bandwidth (2.400 GHz - 2.4835 GHz)

### **Profiles supported**

Basic Imaging Profile

Hardcopy Cable Replacement Profile

## **Wireless Regulatory Information**

The device must be used in strict accordance with the instructions as described below.

### **For European Users**

This product conforms to CE marking requirements in accordance with the R & TTE directive 1999/5/EC.

EPSON cannot accept responsibility for any failure to satisfy the protection requirements resulting from a non-recommended modification of the product.

### **Für europäische Anwender**

### **Pour les utilisateurs européens**

Only indoor operation is permitted in France.

### **Para usuarios europeos**

### **Per gli Utilizzatori della Comunità Europea**

License required for use in Italy.

### **Para Utilizadores Europeus**

L

R4CB56  
Bluetooth

BLUJEFM  
10/29/02

Rev. B

A5 size

Proof Sign-off:  
M.Yamada CRE Kawakami  
J.Miyakoshi  
editor name

For North America Users

USA

This product conforms to part 15 of the FCC rules.

EPSON cannot accept responsibility for any failure to satisfy the protection requirements resulting from a non-recommended modification of the product.

Operation is subject to the following two conditions:

- (1) this device may not cause harmful interference, and
- (2) this device must accept any interference received, including interference that may cause undesired operation.

FCC WARNING

Changes or modifications not expressly approved by the party responsible for compliance could void the user's authority to operate the equipment.

CANADA

This product conforms to IC, Low Power Licence-Exempt

Radio communication Devices (RSS-210).

EPSON cannot accept responsibility for any failure to satisfy the protection requirements resulting from a non-recommended modification of the product.

Operation is subject to the following two conditions:

- (1) this device may not cause interference, and
- (2) this device must accept any interference, including interference that may cause undesired operation of the device.



L

R4CB56  
Bluetooth

BLUEFM  
10/29/02

Rev. B  
A5 size

Proof Sign-off:  
M.Yamada CRE Kawakami  
J.Miyakoshi  
editor name

FCC Part 15 Subpart B Class B  
NOTICE

This equipment has been tested and found to comply with the limits for a Class B digital device, pursuant to part 15 of the FCC Rules. These limits are designed to provide reasonable protection against harmful interference in a residential installation.

This equipment generates, uses and can radiate radio frequency energy and, if not installed and used in accordance with the instructions, may cause harmful interference to radio communications. However, there is no guarantee that interference will not occur in a particular installation. If this equipment does cause harmful interference to radio or television reception, which can be determined by turning the equipment off and on, the user is encouraged to try to correct the interference by one or more of the following measures:

- Reorient or relocate the receiving antenna
- Increase the separation between the equipment and receiver.
- Connect the equipment into an outlet on a circuit different from that to which the receiver is connected.
- Consult the dealer or an experienced radio/TV technician for help.

---

## Copyrights and Trademarks

All rights reserved. No part of this publication may be reproduced, stored in a retrieval system, or transmitted in any form or by any means, electronic, mechanical, photocopying, recording, or otherwise, without the prior written permission of SEIKO EPSON CORPORATION. The information contained herein is designed only for use with this EPSON printer. EPSON is not responsible for any use of this information as applied to other printers.

Neither SEIKO EPSON CORPORATION nor its affiliates shall be liable to the purchaser of this product or third parties for damages, losses, costs, or expenses incurred by the purchaser or third parties as a result of accident, misuse, or abuse of this product or unauthorized modifications, repairs, or alterations to this product, or (excluding the U.S.) failure to strictly comply with SEIKO EPSON CORPORATION's operating and maintenance instructions.

SEIKO EPSON CORPORATION shall not be liable for any damages or problems arising from the use of any options or any consumable products other than those designated as Original EPSON Products or EPSON Approved Products by SEIKO EPSON CORPORATION.

SEIKO EPSON CORPORATION shall not be held liable for any damage resulting from electromagnetic interference that occurs from the use of any interface cables other than those designated as EPSON Approved Products by SEIKO EPSON CORPORATION.

EPSON is a registered trademark and EPSON Stylus is a trademark of SEIKO EPSON CORPORATION.

The BLUETOOTH trademarks are owned by Bluetooth SIG, Inc., U.S.A. and licensed to SEIKO EPSON CORPORATION.

General Notice: Other product names used herein are for identification purposes only and may be trademarks of their respective owners. EPSON disdaims any and all rights in those marks.

Copyright © 2003 by SEIKO EPSON CORPORATION, Nagano, Japan.



Printed on Recycled Paper.