

IAP8350AG/IAP8351AG

Installation Guide

Indoor Enterprise AP

V. 0.1

□ PRODUCT DESCRIPTION

IAP8350AG is Senao new generation of Enterprise AP with 4x4 MU-MIMO technology implement. It is using Qualcomm total solution to provide the maximum throughput on the WIFI.

IAP8350AG is internal antenna model.

IAP8351AG is external antenna model.

Any installation to IAP8350AG applies to both models.

▮ PACKAGE CONTENT

- IAP8350AG or IAP8351AG Access Point
- IAP8350AG/IAP8351AG Quick Start Guidet
- Mounting Bracket
- Mounting screw kits (includes washers, wall anchors and bolts)

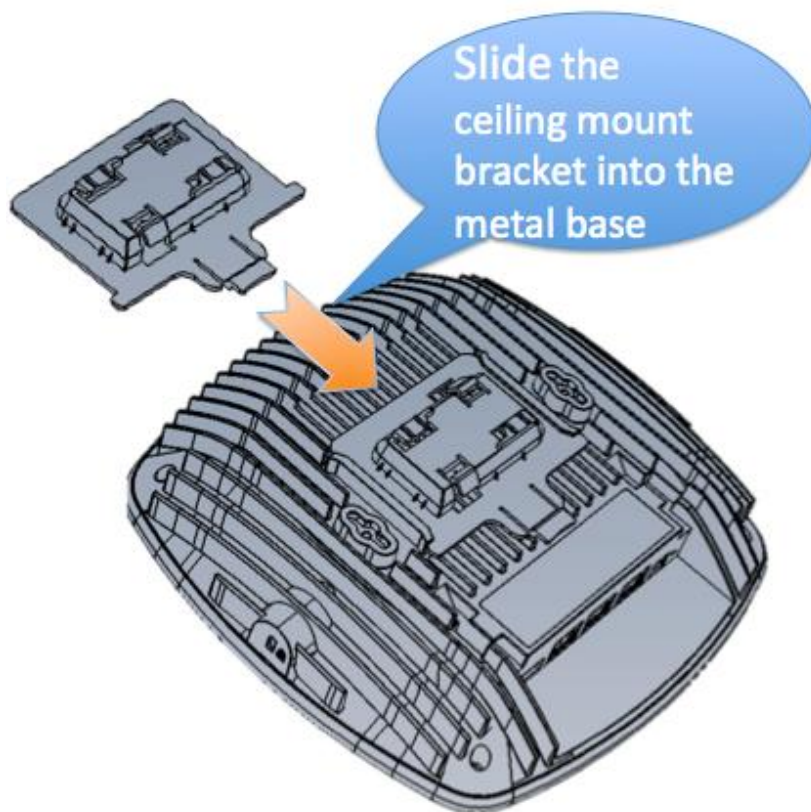
- 5G Diople antennas
- 2.4G Diople antenna

CONNECT TO THE IAP8350AG/IAP8351AG ACCESS POINT

1. Attach and gently tighten the provided antennas to the appropriate port on the IAP8351AG
2. Power is provided through two Ethernet ports (LAN port). This is the preferred method of powering the AP on ceiling and wall installations
3. The IAP8350AG can also be powered by an external DC power supply plugged into an AC source. Plug the supply's input jack into the DC-In port

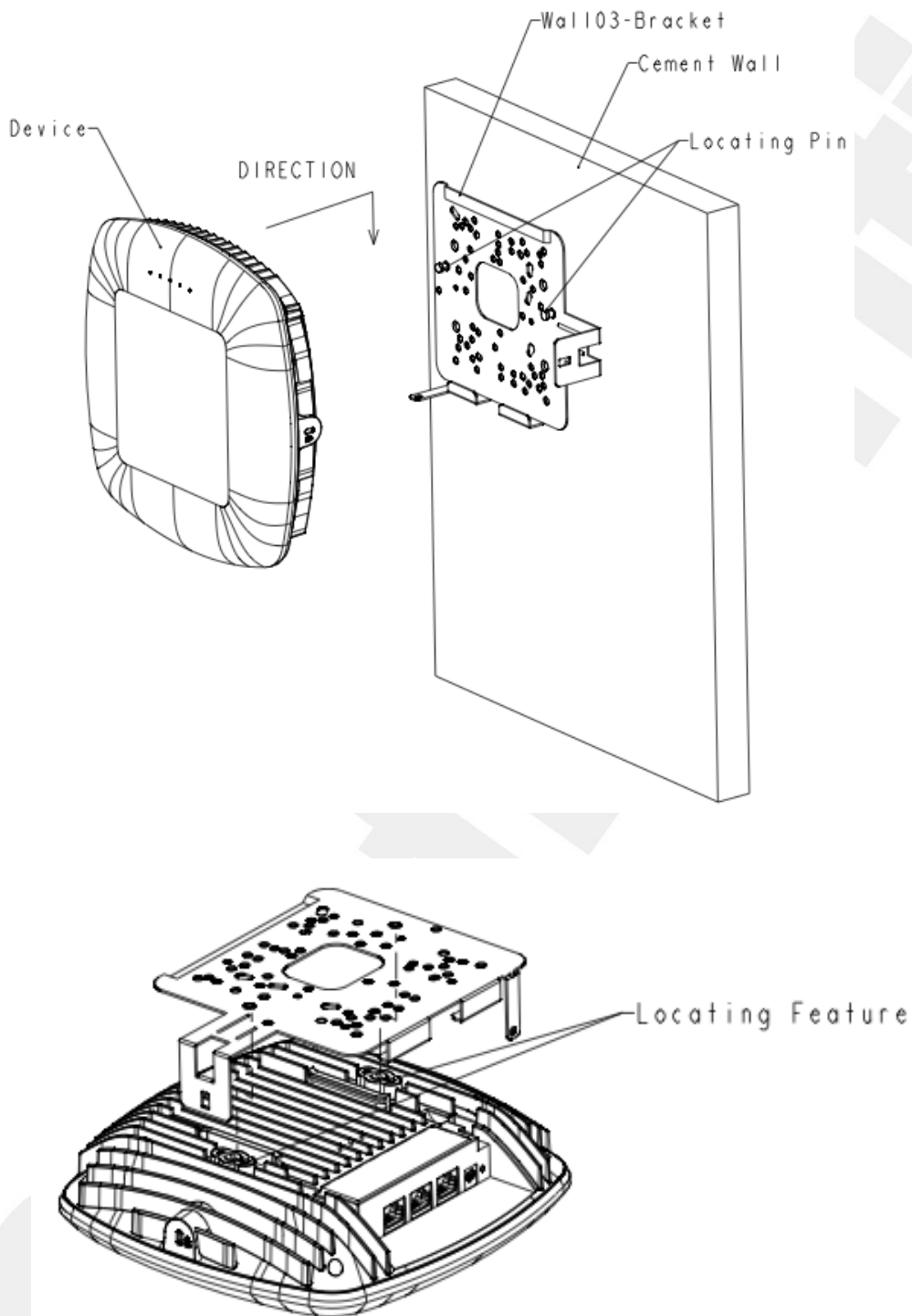
MOUNTING OF THE IAP8350AG/IAP8351AG ACCESS POINT

TOOL-LESS CEILING MOUNT



FLAT WALL OR SOLID CEILING MOUNTING

Mounting the AP with 4 drill holes into flat wall or solid ceiling mounting.



FCC Statement:

Federal Communication Commission Interference Statement

This device complies with Part 15 of the FCC Rules. Operation is subject to the following two conditions: (1) This device may not cause harmful interference, and (2) this device must accept any interference received, including interference that may cause undesired operation.

This equipment has been tested and found to comply with the limits for a Class B digital device, pursuant to Part 15 of the FCC Rules. These limits are designed to provide reasonable protection against harmful interference in a residential installation. This equipment generates, uses and can radiate radio frequency energy and, if not installed and used in accordance with the instructions, may cause harmful interference to radio communications. However, there is no guarantee that interference will not occur in a particular installation. If this equipment does cause harmful interference to radio or television reception, which can be determined by turning the equipment off and on, the user is encouraged to try to correct the interference by one of the following measures:

- Reorient or relocate the receiving antenna.
- Increase the separation between the equipment and receiver.
- Connect the equipment into an outlet on a circuit different from that to which the receiver is connected.
- Consult the dealer or an experienced radio/TV technician for help.

FCC Caution: Any changes or modifications not expressly approved by the party responsible for compliance could void the user's authority to operate this equipment.

This transmitter must not be co-located or operating in conjunction with any other antenna or transmitter.

Radiation Exposure Statement:

This equipment complies with FCC radiation exposure limits set forth for an uncontrolled environment. This equipment should be installed and operated with minimum distance 28cm between the radiator & your body.