

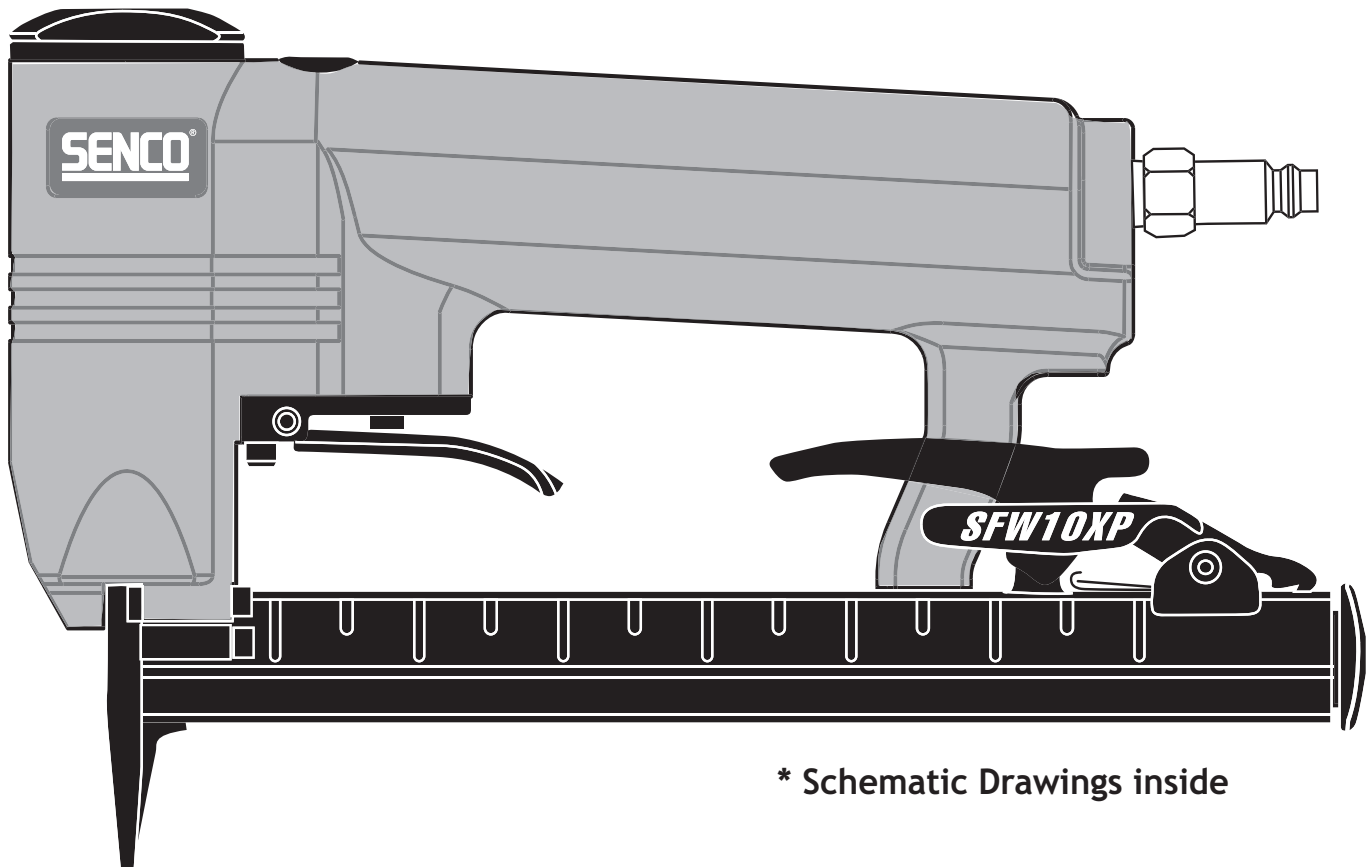
SFW10XP FINE WIRE STAPLER



Parts Reference Guide



Repair Kits
YK0321
YK0322



* Schematic Drawings inside

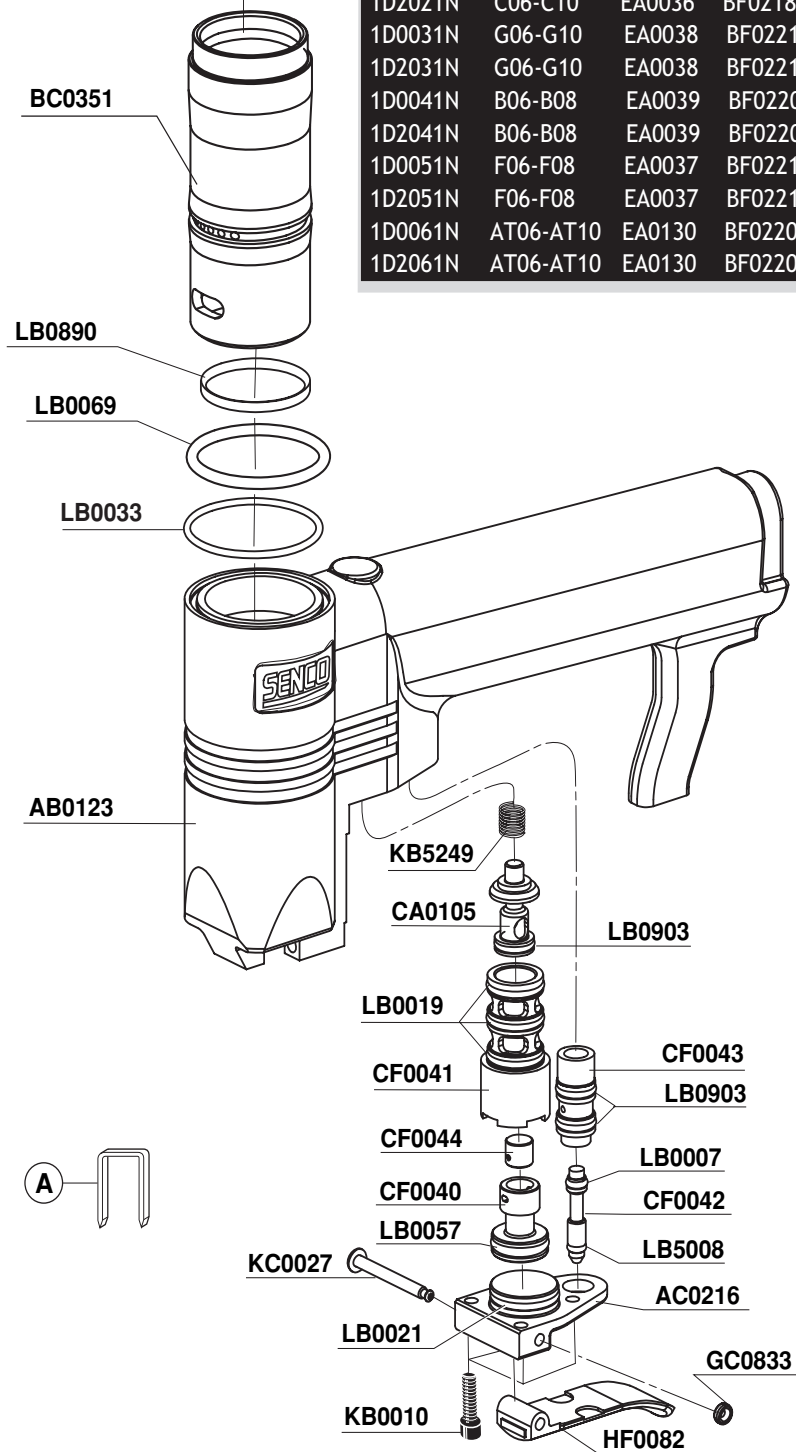
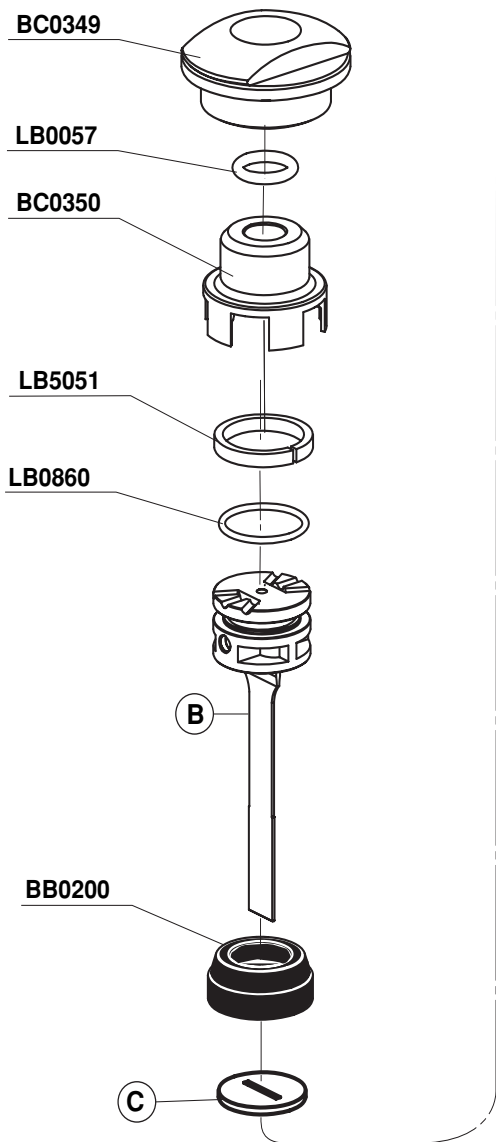
SFW10XP Fine Wire Stapler

SENCO

1/16"CSK DRIVER ASSEMBLY

| | | |
|---------|--------|-----------|
| C06-C10 | EA0147 | 1/16" CSK |
| F06-F08 | EA0148 | 1/16" CSK |

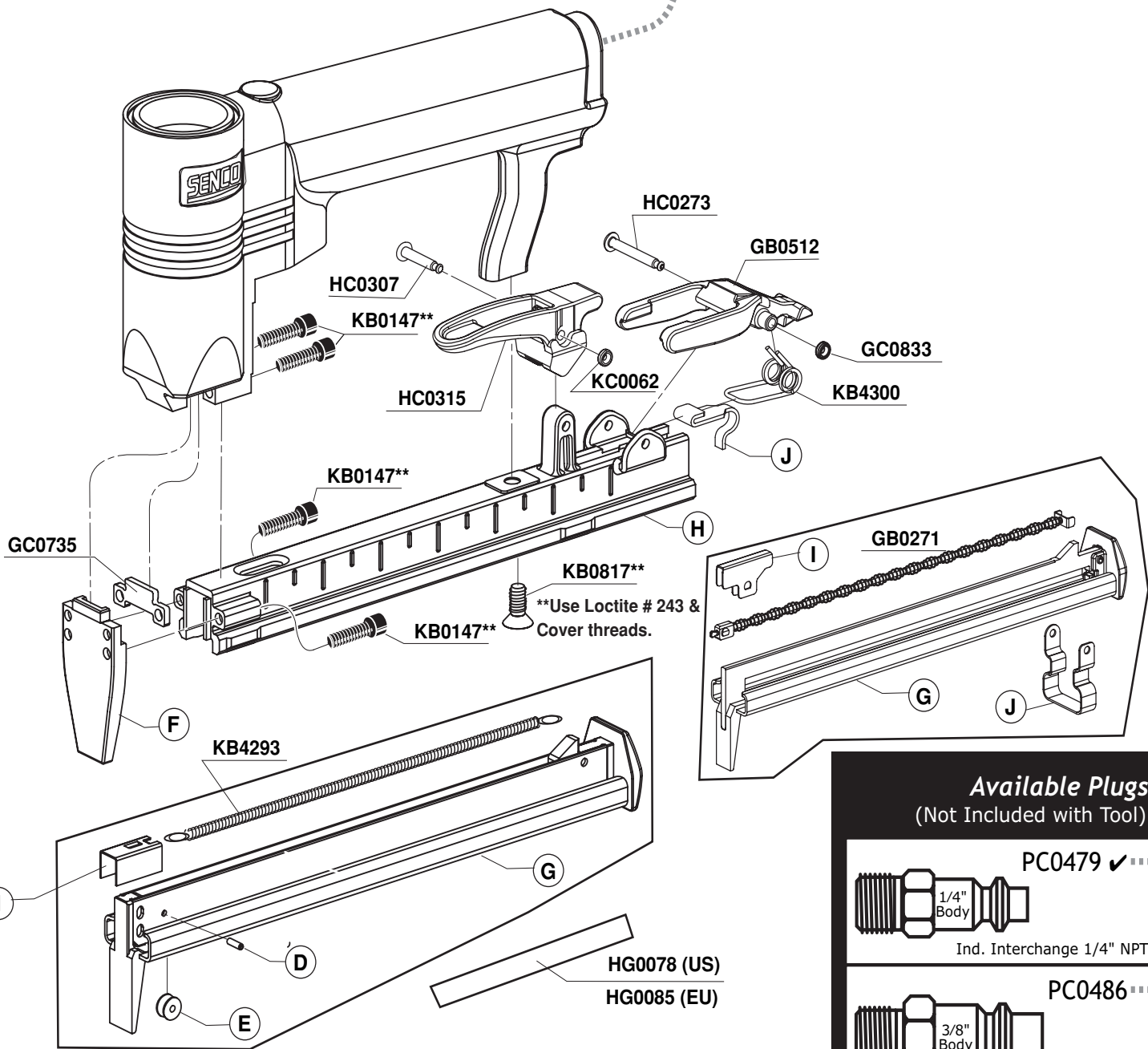
| Model | A | B | C |
|---------|-----------|--------|--------|
| 1D0001N | A06-D10 | EA0144 | BF0222 |
| 1D2001N | A06-D10 | EA0144 | BF0222 |
| 1D0011N | E06-E10 | EA0058 | BF0222 |
| 1D2011N | E06-E10 | EA0058 | BF0222 |
| 1D0021N | C06-C10 | EA0036 | BF0218 |
| 1D2021N | C06-C10 | EA0036 | BF0218 |
| 1D0031N | G06-G10 | EA0038 | BF0221 |
| 1D2031N | G06-G10 | EA0038 | BF0221 |
| 1D0041N | B06-B08 | EA0039 | BF0220 |
| 1D2041N | B06-B08 | EA0039 | BF0220 |
| 1D0051N | F06-F08 | EA0037 | BF0221 |
| 1D2051N | F06-F08 | EA0037 | BF0221 |
| 1D0061N | AT06-AT10 | EA0130 | BF0220 |
| 1D2061N | AT06-AT10 | EA0130 | BF0220 |



- * Does Not Include O-rings
- * No incluye sellos de gomas
- * Ohne Dichtringe
- * Joints exclus

SFW10XP Fine Wire Stapler

SENCO



NFG01D Revised August 5, 2005 (Replaces 7/29/04) © 2004, 2005 by SENCO Products, Inc. Cincinnati, Ohio 45244-U.S.A.

Available Plugs (Not Included with Tool)

PC0479 ✓

Ind. Interchange 1/4" NPT

PC0486

Ind. Interchange 1/4" NPT

PC0468 ✓

Tru-Flate 1/4" NPT

PC0474

Tru-Flate 1/4" NPT

✓ **Recommended Plugs**
Plugs shown smaller than actual size

| Model | A | D | E | F | G | H | I | J |
|---------|-----------|--------|--------|--------|--------|--------|--------|--------|
| 1D0001N | A06-D10 | N/A | N/A | FC0425 | GB0526 | GB0532 | GC0770 | GC0769 |
| 1D2001N | A06-D10 | N/A | N/A | FC0425 | GB0536 | GB0532 | GC0770 | GC0769 |
| 1D0011N | E06-E10 | N/A | N/A | FC0426 | GB0526 | GB0533 | GC0770 | GC0769 |
| 1D2011N | E06-E10 | N/A | N/A | FC0426 | GB0536 | GB0533 | GC0770 | GC0769 |
| 1D0021N | C06-C10 | KB5145 | GC0759 | FC0418 | GB0473 | GB0527 | GC0758 | GC0763 |
| 1D2021N | C06-C10 | KB5145 | GC0759 | FC0418 | GB0475 | GB0527 | GC0758 | GC0763 |
| 1D0031N | G06-G10 | KB5145 | GC0759 | FC0419 | GB0473 | GB0528 | GC0758 | GC0763 |
| 1D2031N | G06-G10 | KB5145 | GC0759 | FC0419 | GB0475 | GB0528 | GC0758 | GC0763 |
| 1D0041N | B06-B08 | KB5144 | GC0756 | FC0420 | GB0474 | GB0529 | GC0755 | GC0763 |
| 1D2041N | B06-B08 | KB5144 | GC0756 | FC0420 | GB0476 | GB0529 | GC0755 | GC0763 |
| 1D0051N | F06-F08 | KB5144 | GC0756 | FC0421 | GB0474 | GB0530 | GC0755 | GC0763 |
| 1D2051N | F06-F08 | KB5144 | GC0756 | FC0421 | GB0476 | GB0530 | GC0755 | GC0763 |
| 1D0061N | AT06-AT10 | KB5144 | GC0756 | FC0422 | GB0474 | GB0531 | GC0755 | GC0763 |
| 1D2061N | AT06-AT10 | KB5144 | GC0756 | FC0422 | GB0476 | GB0531 | GC0755 | GC0763 |

SFW10XP Fine Wire Stapler

REPLACEMENT PARTS LIST • LISTA DE PARTES DE REPUESTO • ERSATSTEILE-LISTE • LISTE DE PIÈCES DE RECHANGE

| PART NO. | DESCRIPTION | DESCRIPCIÓN | BESCHREIBUNG | DÉSIGNATION |
|----------|------------------------------|--------------------|---------------------|--------------------|
| AB0123 | BODY | CARCASA | GEHÄUSE | CORPS |
| AC0216 | PLATE | PLACA | PLATTE | PLAQUE |
| BB0200 | STOP | TOPE | PUFFER | ARRÊT |
| BC0349 | CAP | TAPA | KAPPE | BOUCHON |
| BC0350 | VALVE ASSEMBLY | ASAMBLE DE VALVULA | VENTIL-ZUSAMMENBAU | VALVE D'ASSEMBLÉE |
| BC0351 | CYLINDER | CILINDRO | ZYLINDER | CYLINDRE |
| BF0218 | SEAL (C) | SELLO | DICHTUNG | JOINT |
| BF0220 | SEAL (B & AT) | SELLO | DICHTUNG | JOINT |
| BF0221 | SEAL (C & F) | SELLO | DICHTUNG | JOINT |
| BF0222 | SEAL (A, D & E) | SELLO | DICHTUNG | JOINT |
| CA0105 | PISTON, UPPER | PISTON | KOLBEN | PISTON |
| CF0040 | PISTON, LOWER | PISTON | KOLBEN | PISTON |
| CF0041 | HOUSING | ALOJAMIENTO | GEHÄUSE | CORPS |
| CF0042 | REMOTE CORE | VÁSTAGO | VENTILSTIFT | NOYAU |
| CF0043 | HOUSING, REMOTE | ALOJAMIENTO | GEHÄUSE | CORPS |
| CF0044 | SEAL | SELLO | DICHTUNG | JOINT |
| EA0036 | PISTON ASSY (C) | ASAMBLE DE PISTON | KOLBEN-ZUSAMMENBAU | PISTON D'ASSEMBLÉE |
| EA0037 | PISTON ASSY (F) | ASAMBLE DE PISTON | KOLBEN-ZUSAMMENBAU | PISTON D'ASSEMBLÉE |
| EA0038 | PISTON ASSY (G) | ASAMBLE DE PISTON | KOLBEN-ZUSAMMENBAU | PISTON D'ASSEMBLÉE |
| EA0039 | PISTON ASSY (B) | ASAMBLE DE PISTON | KOLBEN-ZUSAMMENBAU | PISTON D'ASSEMBLÉE |
| EA0058 | PISTON ASSY (E) | ASAMBLE DE PISTON | KOLBEN-ZUSAMMENBAU | PISTON D'ASSEMBLÉE |
| EA0130 | PISTON ASSY (AT) | ASAMBLE DE PISTON | KOLBEN-ZUSAMMENBAU | PISTON D'ASSEMBLÉE |
| EA0144 | PISTON ASSY (A&D) | ASAMBLE DE PISTON | KOLBEN-ZUSAMMENBAU | PISTON D'ASSEMBLÉE |
| EA0147 | PISTON ASSY (C) 1/16"CSK | ASAMBLE DE PISTON | KOLBEN-ZUSAMMENBAU | PISTON D'ASSEMBLÉE |
| EA0148 | PISTON ASSY (F) 1/16"CSK | ASAMBLE DE PISTON | KOLBEN-ZUSAMMENBAU | PISTON D'ASSEMBLÉE |
| FC0418 | GUIDE BODY (C) | PLACA DE NARIZ | KLAMMERFÜHRUNG | FRONT |
| FC0419 | GUIDE BODY (G) | PLACA DE NARIZ | KLAMMERFÜHRUNG | FRONT |
| FC0420 | GUIDE BODY (B) | PLACA DE NARIZ | KLAMMERFÜHRUNG | FRONT |
| FC0421 | GUIDE BODY (F) | PLACA DE NARIZ | KLAMMERFÜHRUNG | FRONT |
| FC0422 | GUIDE BODY (AT) | PLACA DE NARIZ | KLAMMERFÜHRUNG | FRONT |
| FC0425 | GUIDE BODY (A&D) | PLACA DE NARIZ | KLAMMERFÜHRUNG | FRONT |
| FC0426 | GUIDE BODY (E) | PLACA DE NARIZ | KLAMMERFÜHRUNG | FRONT |
| GB0271 | SPRING | RESORTE | FEDER | RESSORT |
| GB0473 | RAIL ASSY (C&G) | ASAMBLE DE CARRIL | SCHIENE-ZUSAMMENBAU | RAIL D'ASSEMBLÉE |
| GB0474 | RAIL ASSY (B, F & AT) | ASAMBLE DE CARRIL | SCHIENE-ZUSAMMENBAU | RAIL D'ASSEMBLÉE |
| GB0475 | RAIL ASSY (C&G) (Euro) | ASAMBLE DE CARRIL | SCHIENE-ZUSAMMENBAU | RAIL D'ASSEMBLÉE |
| GB0476 | RAIL ASSY (B, F & AT) (Euro) | ASAMBLE DE CARRIL | SCHIENE-ZUSAMMENBAU | RAIL D'ASSEMBLÉE |
| GB0512 | LATCH | UNETA | VERSCHLUSS | DOIGT DE RETENUE |
| GB0526 | RAIL ASSY (A, D & E) | ASAMBLE DE CARRIL | SCHIENE-ZUSAMMENBAU | RAIL D'ASSEMBLÉE |
| GB0527 | HOUSING (C) | ALOJAMIENTO | GEHÄUSE | CORPS |
| GB0528 | HOUSING (G) | ALOJAMIENTO | GEHÄUSE | CORPS |
| GB0529 | HOUSING (B) | ALOJAMIENTO | GEHÄUSE | CORPS |
| GB0530 | HOUSING (F) | ALOJAMIENTO | GEHÄUSE | CORPS |
| GB0531 | HOUSING (AT) | ALOJAMIENTO | GEHÄUSE | CORPS |
| GB0532 | HOUSING (A&D) | ALOJAMIENTO | GEHÄUSE | CORPS |
| GB0533 | HOUSING (E) | ALOJAMIENTO | GEHÄUSE | CORPS |
| GB0536 | RAIL ASSY (A, D & E) (Euro) | ASAMBLE DE CARRIL | SCHIENE-ZUSAMMENBAU | RAIL D'ASSEMBLÉE |
| GC0735 | PLATE | PLACA | PLATTE | PLAQUE |
| GC0755 | FEEDER SHOE (B, F & AT) | ALIMENTADOR | KLAMMERSCHIEBER | POUSSOIR |
| GC0756 | ROLLER (B, F & AT) | RODILLO | ROLLE | GALET |
| GC0757 | HOUSING (B, F & AT) | ALOJAMIENTO | GEHÄUSE | CORPS |
| GC0758 | FEEDER SHOE (C & G) | ALIMENTADOR | KLAMMERSCHIEBER | POUSSOIR |
| GC0759 | ROLLER (C & G) | RODILLO | ROLLE | GALET |
| GC0763 | RETAINER (C, G, B, F & AT) | JUNTA TÓRICA | SICHERUNGSRING | RETENUE |
| GC0769 | RETAINER (A, D & E) | JUNTA TÓRICA | SICHERUNGSRING | RETENUE |
| GC0770 | FEEDER SHOE (A, D & E) | ALIMENTADOR | KLAMMERSCHIEBER | POUSSOIR |
| GC0833 | RETAINER | RETÉN | SICHERUNGSRING | RETENUE |
| HC0273 | PIN | PASADOR | STIFT | GOUPILLE |
| HC0307 | PIN | PASADOR | STIFT | GOUPILLE |
| HC0315 | LEVER | PALANCA | HEBEL | LEVIER |
| HF0082 | TRIGGER | GATILLO | AUSLÖSER | GACHETTE |
| HG0078 | SAFETY LABEL (US) | ETIQUETA | AUFKLEBER | ÉTIQUETTE |
| HG0083 | SAFETY LABEL (Euro) | ETIQUETA | AUFKLEBER | ÉTIQUETTE |
| KB0010 | SCREW | TORNILLO | SCHRAUBE | VIS |
| KB0147 | SCREW | TORNILLO | SCHRAUBE | VIS |
| KB0817 | SCREW | TORNILLO | SCHRAUBE | VI |
| KB4293 | SPRING | RESORTE | FEDER | RESSORT |
| KB4300 | SPRING | RESORTE | FEDER | RESSORT |
| KB5144 | PIN (C & G) | PASADOR | STIFT | GOUPILLE |
| KB5145 | PIN (B, F & AT) | PASADOR | STIFT | GOUPILLE |
| KB5249 | SPRING | RESORTE | FEDER | RESSORT |
| KC0027 | PIN | PASADOR | STIFT | GOUPILLE |
| LB0007 | SEAL | SELLO | DICHTUNG | JOINT |
| LB0019 | SEAL | SELLO | DICHTUNG | JOINT |
| LB0021 | SEAL | SELLO | DICHTUNG | JOINT |
| LB0033 | SEAL | SELLO | DICHTUNG | JOINT |
| LB0057 | SEAL | SELLO | DICHTUNG | JOINT |
| LB0069 | SEAL | SELLO | DICHTUNG | JOINT |
| LB0860 | SEAL | SELLO | DICHTUNG | JOINT |
| LB0890 | SEAL | SELLO | DICHTUNG | JOINT |
| LB0903 | SEAL | SELLO | DICHTUNG | JOINT |
| LB5008 | SEAL | SELLO | DICHTUNG | JOINT |
| LB5051 | SEAL | SELLO | DICHTUNG | JOINT |

Questions? Comments? call SENCO's toll-free Action-line: 1-800-543-4596 (North & South America Only) or e-mail: toolprof@senco.com