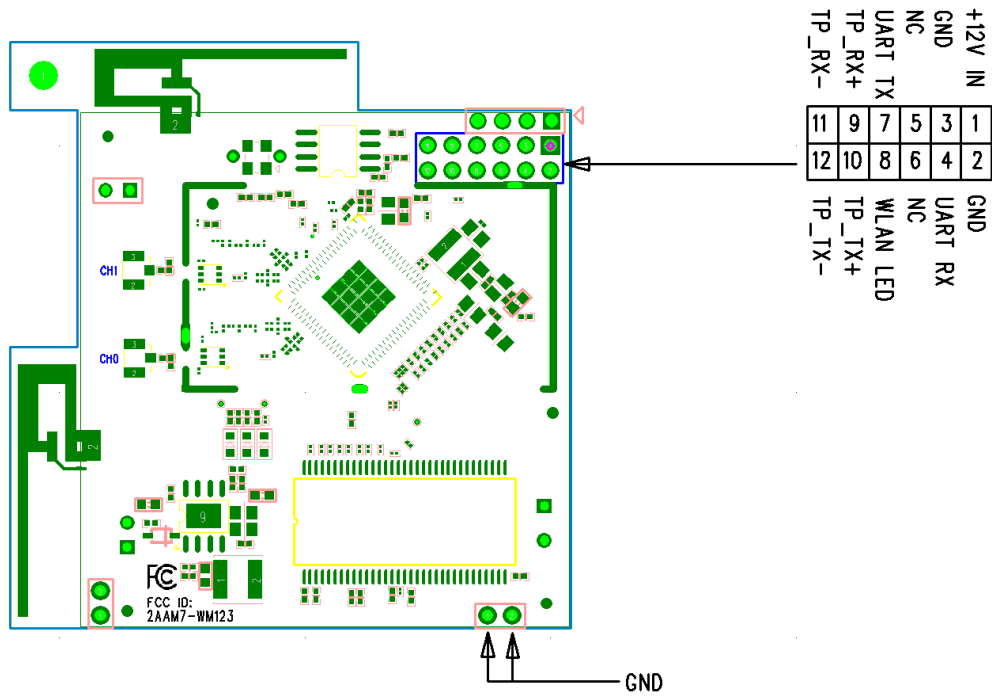


**SENDTEK**

**WM123**  
**Users Manual**

# Pin Assignments



# Pin Descriptions

Symbol	Pin	Description
+12V IN	1	+12V power supply
GND	2,3	Ground pot
UART RX	4	UART Data input (TTL level)
NC	5,6	No Connection
UART TX	7	UART Data output (TTL level)
WLAN_LED	8	WLAN activity LED output (Active Low)
TP_RX+	9	Media-dependent interface transmitter Rx positive
TP_RX-	11	Media-dependent interface transmitter Rx negative
TP_TX+	10	Media-dependent interface transmitter Tx positive
TP_TX-	12	Media-dependent interface transmitter Tx negative

## Federal Communications Commission (FCC) Statement

You are cautioned that changes or modifications not expressly approved by the part responsible for compliance could void the user's authority to operate the equipment.

This equipment has been tested and found to comply with the limits for a Class B digital device, pursuant to part 15 of the FCC rules. These limits are designed to provide reasonable protection against harmful interference in a residential installation. This equipment generates, uses and can radiate radio frequency energy and, if not installed and used in accordance with the instructions, may cause harmful interference to radio communications. However, there is no guarantee that interference will not occur in a particular installation. If this equipment does cause harmful interference to radio or television reception, which can be determined by turning the equipment off and on, the user is encouraged to try to correct the interference by one or more of the following measures:

- Reorient or relocate the receiving antenna.
- Increase the separation between the equipment and receiver.
- Connect the equipment into an outlet on a circuit different from that to which the receiver is connected.
- Consult the dealer or an experienced radio/TV technician for help.

This device complies with Part 15 of the FCC Rules. Operation is subject to the following two conditions:

- 1) this device may not cause harmful interference, and
- 2) this device must accept any interference received, including interference that may cause undesired operation of the device.

The final end product must be labeled in a visible area with the following: "Contains **FCC ID: 2AAM7-WM123**".

The OEM integrator has to be aware not to provide information to the end user regarding how to install or remove this RF module in the user's manual of the end product which integrates this module. The end user manual shall include all required regulatory information/warning as show in this manual.

(1) the module should not installed and operated simultaneously with other radios except additional RF exposure was evaluated and meeting FCC requirement for

simultaneously transmission.

(2) Host manual should bear below statement in manual.

This equipment should be installed and operated with a minimum distance of 20 centimeters between the radiator and your body

(3) Antenna used should be limited to same type with equal or lesser antenna gain.