

Iwn APOS

Quick Reference



APOS XXX X=0-9 A-Z OR None

Senor Tech Co., Ltd.

<http://www.senortech.com>

1. Features

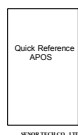
Senor's APOS, an advanced POS terminal, incorporates the all-in-one concept. Designed to be a multi-functional compact and reliable POS terminal, Senor's APOS can optionally integrate with Customer Display, Magnetic Card Reader, Smart Card Reader, I-Button, Finger Print, RFID, Keyboard and other I/O devices. Senor's APOS unique and intelligent design is suitable for a wide range of applications including:

- Hospitality
- Retail
- Kiosk Application

Note:(1) Optional devices such as VESA standard mounting bracket or arm, Customer Display, Magnetic Card Reader, Smart Card Reader, I-Button, Finger Print, RFID and other I/O devices are only available at an additional cost.

2. Unpacking

The following items are Included when you purchase this product. If any items are damaged or missing, contact your dealer for assistance.



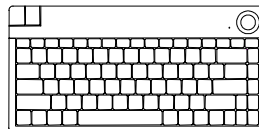
Quick Reference



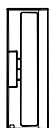
Driver



Power Cord



**IR Keyboard
(Optional Part)**



**Battery
(Optional Part)**

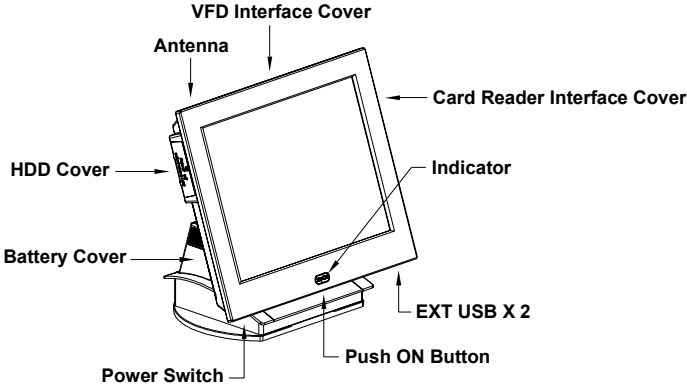


**Antenna
(Optional Part)**

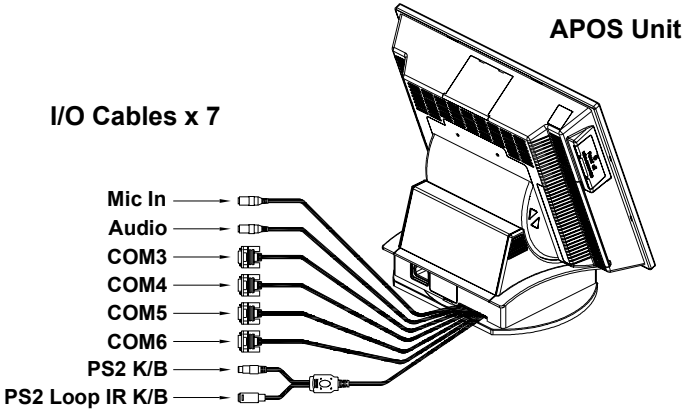
Rating: 100-240VAC 50/60Hz 1.5A

3. Configuration

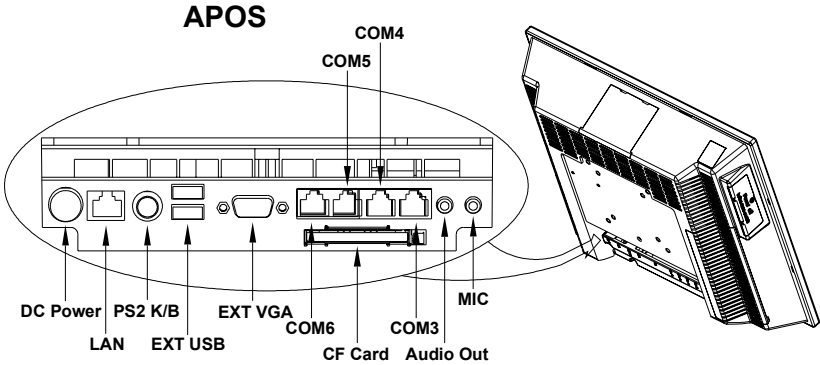
Front View



Back View (1)- Base and I/O cables



Back View (2)- Connector locations



4. Power On

The Power Switch is located behind the left hand side of the LCD front panel. Ensure it is switched to "ON" position (Stand-by) before use. Push the ON button which is the middle bottom (SENOR Logo indicator) on the front of the LCD. When connected to an AC source, the LED lamp will illuminate automatically. The unit's status can be determined by the LED lamp's colour. Turn on the unit by pressing the Push ON Button. To turn off the unit press and hold the button for 3 seconds. Indicator modes as follows:

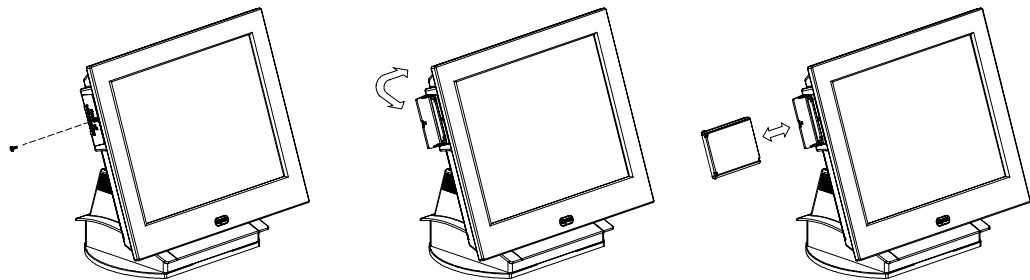
Red	- AC Input OK
Blue	- Booting Mode
Blue Flash	- Battery Mode

5. HDD Replacement

To remove the HDD, use a screwdriver to loosen the screws on the left side of the panel.

Caution:

- A. Both sides of the Hard Disk should be installed with slide tracks.
- B. To install or to withdraw HDD, the power must be switched off.

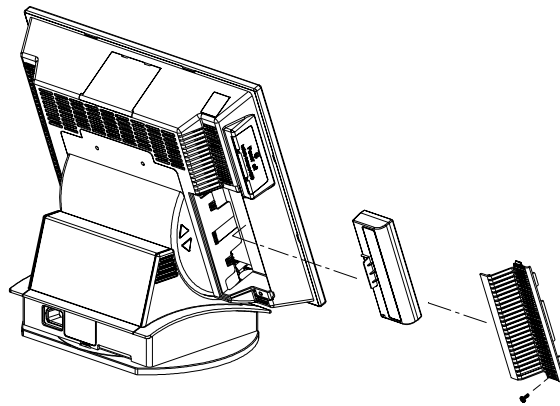


6. Battery Replacement

To remove the battery, remove the screws under the left side panel. The battery will last for 35min. Battery recharge should take approximately 2 hours, (the battery recharge can proceed even in Stand-by mode). Remove the battery from the APOS if it will not be used for an extended period. With Sleep Mode function, Senor's APOS can support Low Battery Suspend to Disk.

Caution:

Do not leave the power switch in the ON position (Stand-by) with the AC power source switched ODD or Disconnected. In this situation the battery will continue to supply power to the unit, causing it to discharge over a period of time. If the AC power source is to be removed for a period greater than 24 hours (e.g. Storage, shipping) ensure the APOS power switch is in the OFF position to avoid damage to the battery.

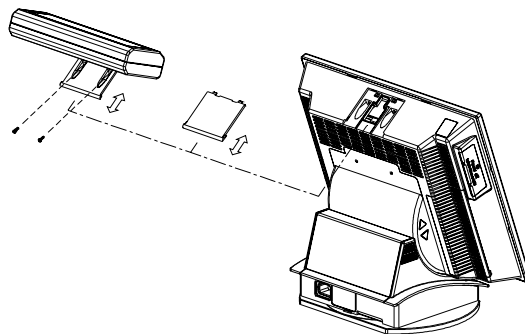


7. VFD Replacement

Take the cover off and insert the VFD set, use two M3 screws to secure the VFD onto the unit. VFD I/O port is located on Com1.

Caution:

To install or to withdraw VFD, power must be switched off.

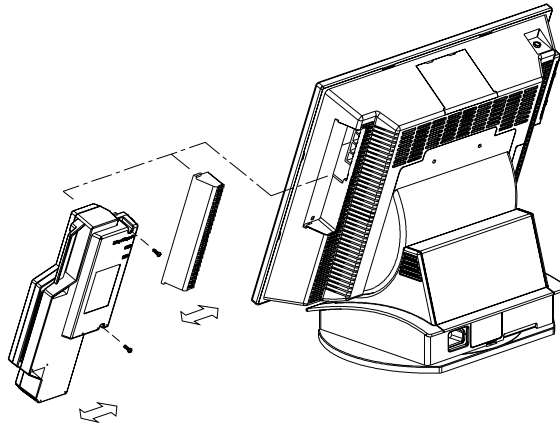


8. Card Reader Replacement

Take the cover off and insert the Card Reader module. Use two M3 screws to secure the Card Reader into the unit. If a Keyboard Wedge Device is not installed in the unit, install the short plug to ensure the keyboard device will operate.

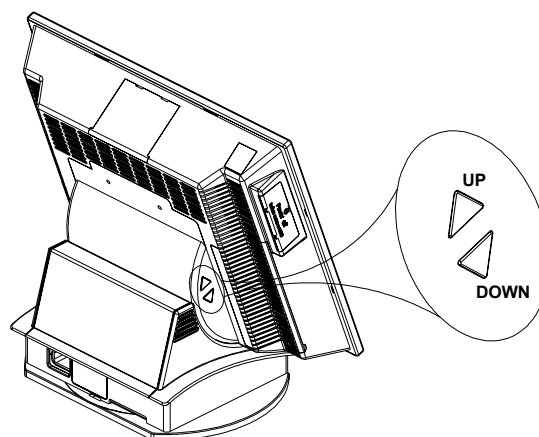
Caution:

To install or to withdraw Card Reader, power must be switched off.



9. LCD Viewing Angle Adjustment

In order to accommodate various operator preferences and lighting conditions, Senor's APOS is equipped with an operator tilt mechanism. Two buttons are located behind the middle left-hand edge of the operator LCD. The uppermost button tilts the screen UP while the lower tilts the screen DOWN. The tilt movement is limited to a minimum of 30 degrees and a maximum of 70 degrees. To adjust the angle, press and hold the UP or DOWN button as required until the optimum viewing angle is found or when the LCD reaches its maximum or minimum limit.

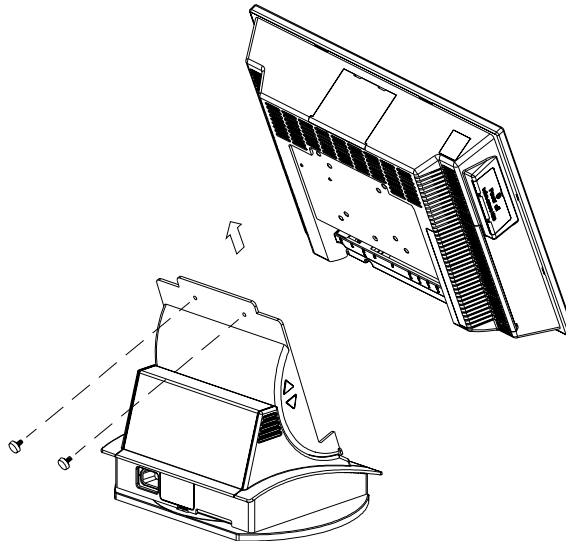


10. Mounting

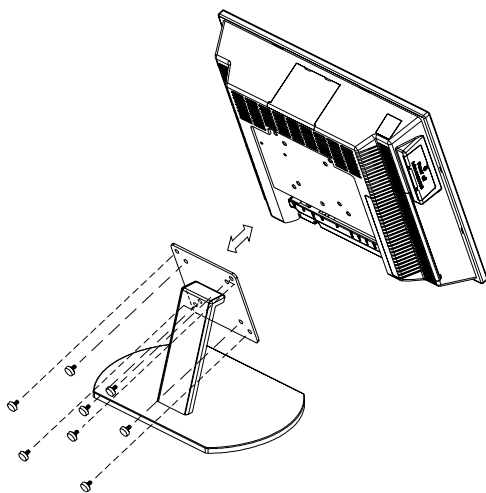
The APOS is designed to be fitted with a desk stand base unit or with a VESA standard mounting bracket or arm (75mm X 75mm; 100mm X 100mm) if required.

10.1 Unscrew the two thumbscrews securing the base unit to the LCD panel.

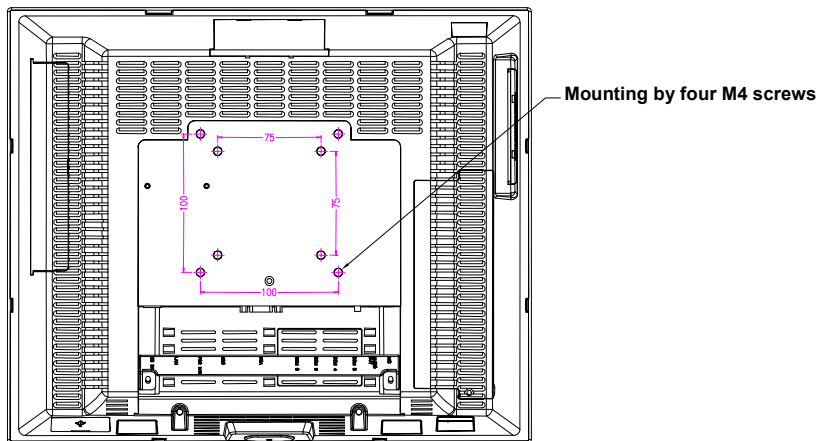
10.2 Separate the LCD panel from the base unit by lifting the LCD panel.



10.3 Use four M4 screws to secure the APOS LCD panel on to any VESA standard mounting bracket or arm



USE four M4 Screws



NOTE: The length of screws must not exceed 8mm.

11. Additional Devices: Driver Installation

After installing Win98 SE/ME/2000/SP, the system still needs additional device drivers installed, which are located on the Driver CD. The drivers are as follows:

- 11.1 M/B Chipset Driver.
- 11.2 Install the LAN Chip Driver from enclosed driver CD.
- 11.3 Install the touch driver from enclosed driver CD. The port of Touch Controller is located on the Com2.

CAUTION
RISK OF EXPLOSION IF BATTERY IS REPLACED
BY AN INCORRECT TYPE.
DISPOSE OF USED BATTERIES ACCORDING
TO THE INSTRUCTIONS

"The antenna(s) used for this device must be installed to provide a separation distance of at least 20 cm from all persons and must not be co-located or operating in conjunction with any other antenna or transmitter."

You are cautioned that changes or modifications not expressly approved by the party responsible for compliance could void your authority to operate the equipment.

This transmitter must not be co-located or operating in conjunction with any other antenna or Transmitter.

This equipment has been tested and found to comply with the limits for a Class A digital device, pursuant to Part 15 of the FCC Rules. These limits are designed to provide reasonable protection against harmful interference when the equipment is operated in a commercial environment. This equipment generates, uses, and can radiate radio frequency energy and, if not installed and used in accordance with the instruction manual, may cause harmful interference to radio communications. Operation of this equipment in a residential area is likely to cause harmful interference in which case the user will be required to correct the interference at his own expense.

Precaution

- ⊗ Specifications are subject to change without notice.
- ⊗ Avoid exposing the product to direct sunlight and do not use the product near areas of high moisture.
- ⊗ Do not block the unit's ventilation openings.
- ⊗ Do not attempt to disassemble or modify this product by yourself, as doing so may expose you to an electric shock. All servicing should be performed by qualified personnel and should conform to all local codes.
- ⊗ APOS is equipped with the specific adapter (19V 3.2A). Do not use any other type of adapter to operate the product. It is recommended that you only use the manufacturer's supplied adapter.
- ⊗ If any abnormal power conditions or blackouts occur during operation, disconnect unit at the AC source immediately. Once normal power is restored, reconnect the AC source.
- ⊗ To avoid unit failure or intermittent operation, check power and other I/O cables are connected correctly.
- ⊗ Always unplug the power cord from the AC outlet before cleaning the product. Use a soft cloth to clean the product. Do not use solvents or abrasives and do not spray or pour any liquid directly onto the product's screen or case.