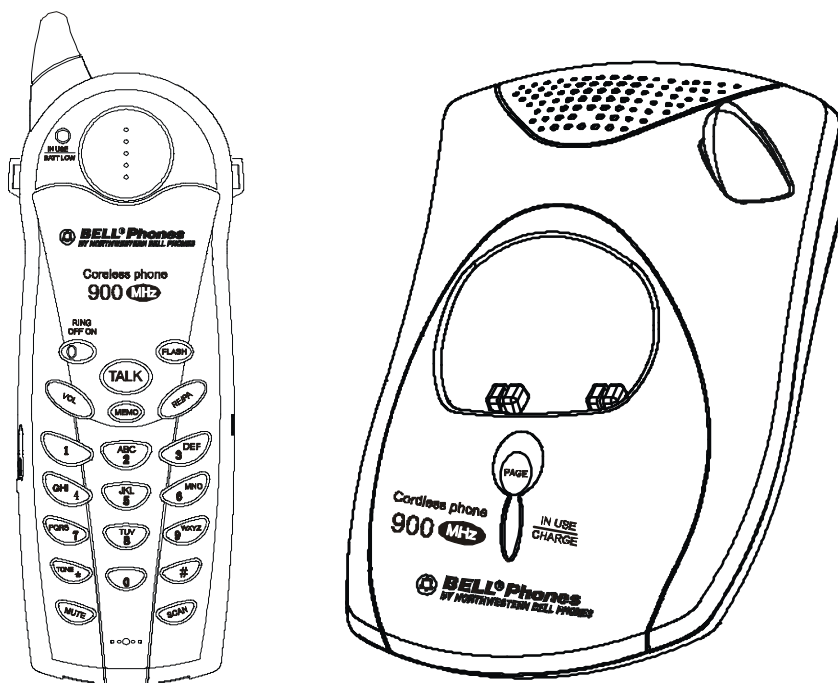




Excursion® 39280



Congratulations on your selection of the Excursion® 39280 from Northwestern Bell Phones. This quality 900MHz cordless telephone, like all Genuine BELL® products, has been designed to give you many years of continuous service and represents the best value for your money. It requires little maintenance and is easy to setup and operate.

IMPORTANT SERVICE INFORMATION

Read this manual before attempting to setup or use this instrument. It contains important information regarding safe installation and use. Keep this manual for future reference. Also save the carton, packing and proof of purchase to simplify and accelerate any needed action. If you need assistance or service, call (800) 888-8990 between 8:00 a.m. and 4:30 p.m. Pacific Standard Time, Monday through Friday. You can also visit our web site at <http://www.nwbphones.com> for technical support and information on our other products.

WARNING

To prevent fire or shock hazard, do not expose this product to rain or any type of excess moisture. If accidentally dropped into water, the AC adapter should immediately be unplugged from the wall along with the telephone line cord.



THIS SYMBOL IS INTENDED TO ALERT THE USER OF THE PRESENCE OF IMPORTANT OPERATING AND MAINTENANCE (SERVICING) INSTRUCTIONS IN THE OWNER'S MANUAL.

Excursion[®] 39280

CARTON CONTENTS

- Excursion[®] 39280 Base and Handset
- Rechargeable Ni-Cd Battery Pack
- Telephone Line Cord (Long and Short)
- Wall Mount Screws and Hardware
- AC Adapter (9VDC, 200mA, Center Positive)
- User's Manual
- Warranty Card
- Accessory Order Form

SAVE THESE INSTRUCTIONS

IMPORTANT SAFETY INSTRUCTIONS

When using your telephone equipment, basic safety precautions should always be followed to reduce the risk of fire, electric shock, and injury to persons, including the following:

1. Read and understand all instructions.
2. Follow all warnings and instructions marked on the product.
3. Unplug this product from the wall outlet before cleaning. Do not use liquid cleaners or aerosol cleaners. Use a damp cloth for cleaning.
4. Do not use this product near water, for example, near a bathtub, wash bowl, kitchen sink, or laundry tub, in a wet basement or near a swimming pool.
5. Do not place this product on an unstable cart, stand, or table. The product may fall, causing serious damage to the product.
6. Slots and openings in the cabinet and the back or bottom are provided for ventilation, to protect it from overheating. These openings should never be blocked or covered. The openings should never be blocked by placing the product on the bed, sofa, rug, or other similar surface. This product should never be placed near or over a radiator or heat register. This product should not be placed in a built-in installation unless proper ventilation is provided.
7. This product should be operated only from the type of power source indicated on the marking label. If you are not sure of the type of power supply to your home, consult your dealer or local power company.
8. Do not allow anything to rest on the power cord. Do not locate this product where the cord will be abused by persons walking on it.
9. Do not overload wall outlets and extension cords as this can result in the risk of fire or electric shock.
10. Never push objects of any kind into this product through cabinet slots as they may touch dangerous voltage points or short out parts that could result in a risk of fire or electric shock. Never spill liquid of any kind on the product.
11. To reduce the risk of electric shock, do not disassemble this product, but take it to a qualified service contractor when some service or repair work is required. Opening or removing covers may expose you to dangerous voltages or other risks. Incorrect reassembly can cause electric shock when the appliance is subsequently used.
12. Unplug this product from the wall outlet and refer servicing to qualified service personnel under the following conditions:
 - A. When the power supply cord or plug is damaged or frayed.
 - B. If liquid has been spilled into the product.
 - C. If the product has been exposed to rain or water.
 - D. If the product does not operate normally by following the operating instructions. Adjust only those controls that are covered by the operating instructions. Improper adjustments of other controls may result in damage and will often require extensive work by a qualified technician to restore the product to normal operation.
 - E. If the product has been dropped or the cabinet has been damaged.

- F. If the product exhibits a distinctive change in performance.
13. Avoid using a telephone (other than a cordless type) during an electrical storm. There may be a remote risk of electric shock from lightning.
 14. Do not use the telephone to report a gas leak in the vicinity of the leak.

INSTALLATION PRECAUTIONS

1. Never install telephone wiring during a lightning storm.
2. Never install telephone jacks in wet locations unless the jack is specifically designed for wet locations.
3. Never touch uninsulated telephone wires or terminals unless the telephone line has been disconnected at the network interface.
4. Use caution when installing or modifying telephone lines.

MAINTENANCE

1. Use a damp cloth to clean the plastic cabinet. A mild soap will help to remove grease or oil. Never use polish, solvents, abrasives or strong detergents since these can damage the finish.
2. Your phone should be situated away from heat sources such as radiators, heaters, stoves or any other appliance that produces heat.

CAUTION

Risk of explosion if battery is replaced by an incorrect type. Dispose of used batteries according to the instruction. read and follow these instructions:

1. Use only the 3.6V, 450mAh, Ni-Cd battery pack . The type NO. is 3SN-AA45-S-X₁.
2. Do not dispose of the battery in a fire. The cell may explode. Check with local codes for possible special disposal instructions.
3. Do not open or mutilate the battery. Released electrolyte is corrosive and may cause damage to the eyes or skin. It may be toxic if swallowed.
4. Exercise care in handling the battery in order not to short the battery with conducting material such as rings, bracelets and keys. The battery or conductor may overheat and cause burns.
5. Recharge only the battery provided with or identified for use with this product. The battery may leak corrosive electrolyte or explode if it is not the correct type.
6. Do not attempt to rejuvenate the battery provided with or identified for use with this product by heating them. Sudden release of the battery electrolyte may occur causing burns or irritation to eyes or skin.
7. When inserting the battery into this product, the proper polarity or direction must be observed. Reverse insertion of batteries can cause charging that may result in leakage or explosion.
8. Do not store this product, or the battery provided with or identified for use with this product, in high-temperature areas. Batteries that are stored in a freezer or refrigerator for the purpose of extending shelf life should be stabilized at room temperature prior to use after cold storage.
9. Disconnect telephone lines before installing batteries.

SAVE THESE INSTRUCTIONS

FCC NOTICE

The FCC requires that you be advised of certain requirements involving the use of this telephone.

1. This telephone is hearing aid compatible.
2. This equipment complies with 47 CFR Part 68 requirement. On the bottom of this equipment is a label that contains, among other information, the ACTA registration number and Ringer Equivalence Number (REN) for this equipment. If requested, provide this information to your telephone company.
3. The REN is useful to determine the quantity of devices you may connect to your telephone line and still have all of those devices ring when your number is called. In most, but not all areas, the sum of the RENs of all devices should not exceed five (5.0). To be certain of the number of devices you may connect to your line, as determined by the REN, you should call your local telephone company to determine the maximum REN for your calling area.
4. If your telephone causes harm to the telephone network, the telephone company may discontinue your service temporarily. If possible, they will notify you in advance. But if advance notice is not practical, you will be notified as soon as possible. You will be advised of your right to file a complaint with the FCC.
5. Your telephone company may make changes to its facilities, equipment, operations or procedures that could affect the proper operation of your equipment. If they do, you will be given advance notice so as to give you an

opportunity to maintain uninterrupted service.

6. If you experience trouble with the telephone, please contact VTC Service & Manufacturing Co., Inc at (800) 888-8990 or write to: VTC Customer Service, 16988 Gale Ave., City of Industry, CA 91745 for repair/warranty information. The telephone company may ask you to disconnect this equipment from the network until the problem has been corrected or you are sure that the equipment is not malfunctioning.
7. This equipment may not be used on coin service provided by the telephone company. Connection to party lines is subject to state tariffs. (Contact your state public utility commission or corporation commission for information.)
8. USOC jack type is RJ11C and the compatible jack is part 68 compliance.

NOTICE: If your home has specially wired alarm equipment connected to the telephone line, ensure the installation of this [equipment ID] does not disable your alarm equipment. If you have questions about what will disable alarm equipment, consult your telephone company or a qualified installer.

This device complies with Part 15 of the FCC Rules. Operation is subject to the following two conditions: (1) This device may not cause harmful interference, and, (2) this device must accept any interference received, including interference that may cause desired operation. Privacy of communications may not be ensured when using this phone.

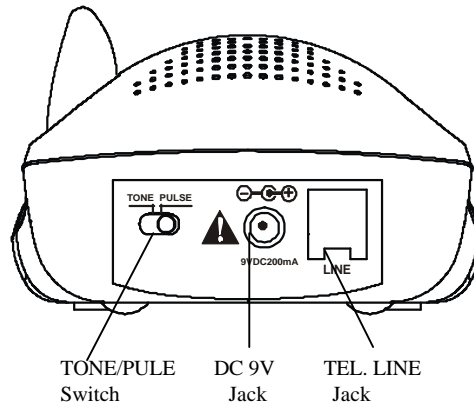
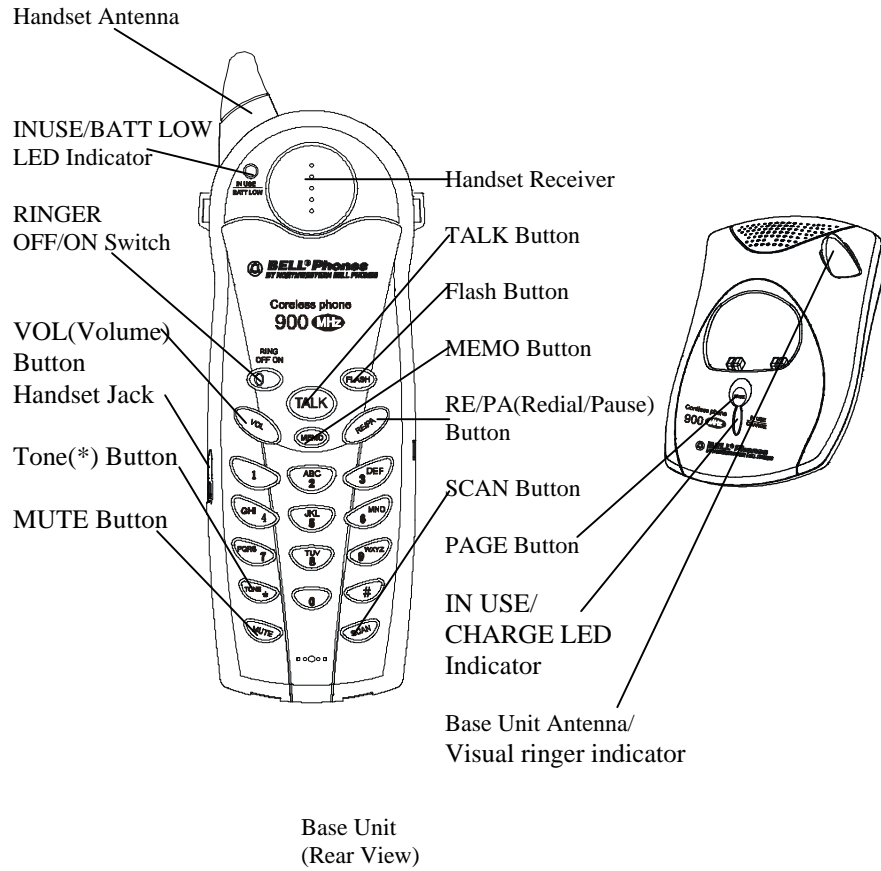
Changes or modifications not expressly approved in writing by Northwestern Bell Phones may void the user's authority to operate this equipment.

Some cordless phones operate at frequencies that may cause interference to nearby TVs and VCRs; to minimize or prevent such interference, the base of the cordless phone should not be placed near or on top of a TV or VCR; and, if interference is experienced, moving the cordless telephone farther away from the TV or VCR will often reduce or eliminate the interference.



AC ADAPTOR: Use only with Class 2 Transformer, 9VDC output, 200mA, center pin positive.

Excursion® 39280 CONTROLS DIAGRAM



DESCRIPTIONS

Handset Controls:

Handset Antenna - A fixed antenna.

IN USE/BATT LOW LED Indicator - (IN USE) Flashes rapidly while auto-scanning. Lights solid whenever the handset is in TALK mode. Turns off when the handset is not in use and out of the base unit. (BATT LOW) This LED flashes slowly if the handset battery needs charging.

TALK Button - Press this button to place a call, answer a call, or end a call.

RE/PA (REDIAL /PAUSE) Button - (REDIAL) Press to automatically dial the last phone number dialed up to 32 digits. (PAUSE) Allows you to insert a 4-seconds delay between dialed numbers in PABX systems or long distance services.

FLASH Buttons – Momentarily hangs up the phone to access custom calling features such as Call waiting or Three-way calling provided by your local phone company.

Headset Jack – A jack located on the side of the handset used for connecting your headset used for connecting your headset to enjoy a hands-free communication.

RINGER ON/OFF Switch - For normal use, set switch to ON. To save battery power and to turn off the handset ringer, switch to OFF.

Mute Button---Used to turn off the handset's microphone so the other party can not hear your side of the conversation. Press the MUTE button again to return to the conversation.

Memory(MEMO) Button – Used for storing/retrieving phone numbers to/from the 10 memory locations.

Charge Contacts – For charging the handset battery pack. We recommend that you clean these contacts periodically with alcohol-moistened cloth or cotton swab.

TONE(*) Button – Press to temporarily change the dialing mode from pulse to Tone when dialing in the Pulse mode. Provides tone function to access special services such as phone banking.

Scan Button – Used to manually select one of the 40 operating channels when you experience interference on the handset.

Volume Control Button - Allow you to Select the receiver volume level (Low, Mid, Hi).

BASE UNIT CONTROLS:

Base Antenna - A fixed antenna.

Base Unit Charge Terminals - Used for charging handset batteries. We recommend that you clean these contacts periodically with an alcohol-moistened cloth or cotton swab.

IN USE/CHARGE LED Indicator - Lights up to indicate the unit is ON or when the handset is placed on the base unit for charging. It flashes to indicate the page function is in use.

Visual Ringer Indicator - Flashes to indicate the phone is ringing, as a signal to the user, when the ringer is off.

PAGE Button - Allows you to locate the handset when it is not on the base, or to alert the person near the handset.

TONE/PULSE Switch - A switch located on the rear side of the base unit, which allows you to set the dialing mode to either Tone dialing or Pulse(rotary) dialing.

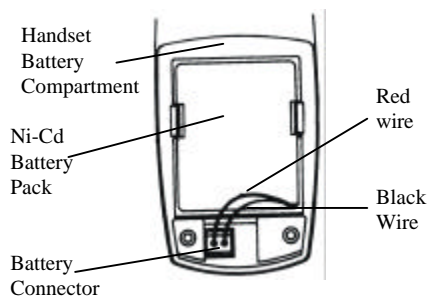
DC 9V jack - A jack located on the rear side of the base unit used for connecting the AC adaptor to the base unit.

INSTALLATION

CAUTION: USE ONLY THE NICKEL CADMIUM(Ni-Cd) BATTERY TYPE INCLUDED WITH THIS UNIT. USE OF OTHER BATTERY TYPES MAY CAUSE INJURIES OR DAMAGE.

Battery Installation

1. Remove the battery compartment cover of the handset by pressing the top of the cover and sliding it down.
2. Connect the Ni-Cd battery pack plug along the slot into the handset's battery connector as shown below.



(Figure 1)

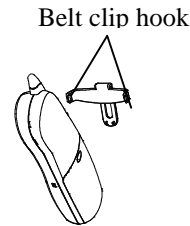
3. Insert the Ni-Cd battery pack into the battery compartment.
4. Replace the battery compartment cover by sliding it up towards the handset.

NOTE: Use the type and size of Ni-Cd battery pack, 3.6V, 450mAh. It is recommended that the Ni-Cd battery

pack should be fully charged overnight prior to initial use.

Belt Clip Installation

With the back of handset facing up, insert one side of the belt clip hook into the matching slots at the top side of handset as shown in Figure2. Slide the other hook until it locks into place from the opposite side of the handset.



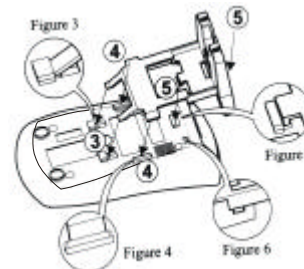
(Figure 2)

Wall Mounting (With a standard AT&T or GTE modular wall jack)

You may choose to install the Telephone base unit onto a wall.

Wall Mounting (Standard Wall Jack)

1. Connect the short telephone line cord to the telephone line jack on the rear of the base unit.
2. Insert the free end of the short line cord through the hole of the mounting bracket.
3. Insert the hooks of the mounting bracket into the matching slots on the back of the unit as shown in Figure 3.



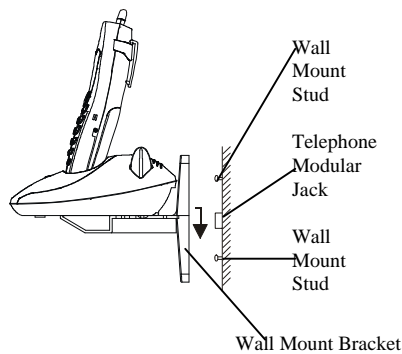
4. Press the mounting bracket on the side of the mounting bracket until the locking hooks snaps into the

inner slots of the base unit as shown in Figure 4.

5. Press the middle locking hooks of the mounting bracket while pushing the back of the mounting bracket until it snaps to lock as shown in Figure 5

NOTE: Ensure that the lock guide stays in place on the hole provided on the base unit as shown in Figure 6.

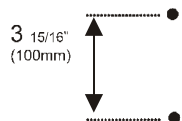
6. Plug the free end of the short line cord into the modular wall jack.
7. Align the upper keyhole on the mounting bracket with the upper stud of the wall plate, so that the opening end of the mounting bracket matches the lower stud, pull the mounting bracket down until it is securely seated.



(Figure 7)

Wall Mounting (No Standard Wall Jack)

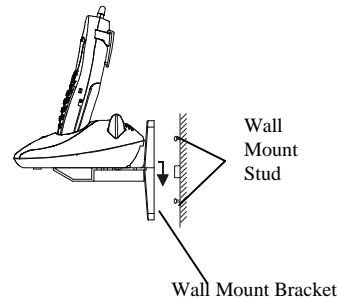
1. Drill two holes with a vertical distance between the two marked positions of $3^{15/16}$ " (100mm) as shown in Figure 8.



2. Drive (Figure 8) of the holes. Tighten of the screw

lines, only leaving the smooth part of the screw head outside the wall.

3. Install the wall mount bracket into the base unit as previously discussed in Figures 3-6.
4. Hand the unit onto the screws, then slide it down firmly to fasten the base securely, as shown if Figure 9.



(Figure 9)

Uninstalling the Wall Mount Bracket

To remove the wall mount bracket from the base unit, pull it back as shown in Figure 10.

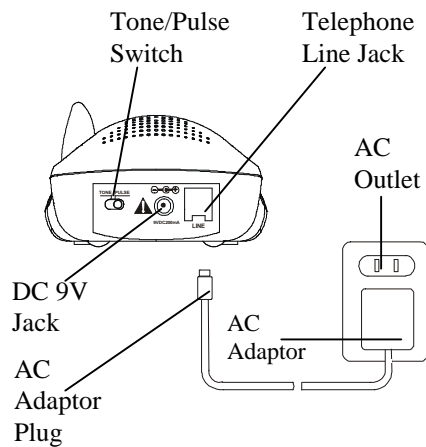


(Figure 10)

POWER CONNECTION

UTION: You must use a Class II, 120 Volt AC/9 Volt DC adaptor that delivers at least 200mA. The center tip must be positive and the plug must correctly fit the unit's DC 9V jack.

1. Plug the AC adaptor into a standard AC outlet.
2. Insert the small plug inot the DC 9 jack on the rear of the base unit as shown in Figure 11.

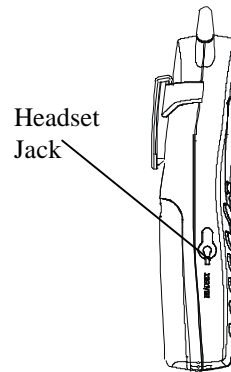


(Figure 11)

HEADSET CONNECTION

One of the special features of your phone is that your handset could utilize a headset(not included) for hands-free communication. Insert the small plug at the end of your headset cord to the headset jack at the side of the handset as shown in Figure 12. Follow the procedures discussed in "Placing a Call" when to place and receive a call.

Note: The headset jack of your cordless telephone is compatible with 2.5mm headset plugs only. When you plug in the headset into the headset jack, it automatically mutes the microphone and speaker of the handset. Unplug the headset to return the handset to normal use.



(Figure 12)

INITIAL SETUP

Please follow these steps before using the cordless telephone for the first time.

1. Ensure that the handset battery pack is installed and charged fully for at least 12 hours.
2. Ensure that all connections(line cord and adaptor cord) are properly inserted into rear of the base unit.

Setting the TONE/PULSE Switch

- If your home is equipped with tone-dialing service set the TONE/PULSE switch to TONE position.
- If you have a pulse (rotary) dialing service, set the TONE/PULSE switch to PULSE position.

TELEPHONE OPERATION

Place a Call

1. Pick up the handset and press the TALK button. The cordless telephone will automatically scan for the best channel available, as indicated by the flashing IN USE/BATT LOW LED indicator.
2. Once it finds a clear channel, the IN USE/BATT LOW LED indicator will light solid and a dial tone will be heard. You can then dial the

desired phone number on the handset keypad.

Receive a Call

If the handset is on the base:

- Since the cordless telephone features “Auto-Answer,” simply pick up the handset from the base cradle. The unit will scan for a clear channel then you can talk to the calling party after it has found one.

If the handset is out of the base:

- Press the TALK button on the handset. The unit will scan for a clear channel.
- The IN USE/BATT LOW LED indicator will flash rapidly (to indicate that it is auto-scanning). After it has found a clear channel, the IN USE/BATT LOW LED indicator will light solid. You can then start conversation with the calling party.

NOTES:

- The handset RINGER ON /OFF switch must be in the “ON” position for ringer to operate.
- The base unit does not have a ringer and does not ring when receiving an incoming call.
- If you are too far away from the base unit, the handset emits “beep” sounds to warn you that the background noise level is too high for proper communication between the handset and the base unit. When you hear this sound, you should move closer to the base unit to reduce the noise level. Otherwise, the call will automatically cut off.

Channel Selection (40 Channels)

Channel Scan (Auto-Scan)

- When you initiate or receive a call, the cordless telephone auto-scans for the best channel available.

Channel Scan (Manual Scan)

- If the existing channel becomes noisy or starts having radio interference, press the SCAN button repeatedly until a clear channel is found.

NOTE: When there is excessive static and causes the handset to lose link with the base, return the handset to its cradle on the base unit to re-establish the security link.

Ending a Call

Upon completion of a call, you can hang up the cordless telephone by returning the handset back to its cradle on the base unit (this feature is also called Auto-Standby), or by pressing the TALK button on the handset.

Last Number Redial

The last number redial feature may be used to dial the last number called (up to 32 digits).

1. Pick up the handset and press the TALK button.
2. Listen for a dial tone.
3. Press the REDIAL button. The cordless telephone will automatically redial the last phone number you called.

Flash Function

Pressing the FLASH button (while the phone line is in use) momentarily hangs up the phone to access custom calling features such as Call Waiting or Three-Way Calling provided by your local phone company. For other Custom Calling features, refer to the instructions provided by your local phone company.

Pause Function

In some cases, such as PABX or long distance service, a pause may be needed in the dialing sequence. Pressing the PAUSE button inserts a 4-second delay between dialed numbers. Pauses may be

programmed into the memory. Each 4-second pause occupies one digit of the available 16 digits per memory location.

Memory Dialing

You can store and recall up to 10 frequently called telephone numbers (up to 16 digits each) from the handset.

Storing Telephone Numbers into Memory

1. Ensure that the base unit IN USE LED indicator is off and the handset is in standby mode (IN USE/BATT LOW LED indicator is off).
2. Press the MEMO button on the handset.
3. Dial the phone number you want to store.
4. Press the MEMO button again.
5. Press a memory location where you want to store the phone number (from 0 to 9). You will hear one confirmation beep.
6. To store more phone numbers or modify existing numbers in memory, repeat steps 1-5.

NOTES:

- The maximum number of digits that can be stored for each phone number is 16 digits both in pulse and tone mode.
- Pause can be programmed into a memory dialing sequence. Each pause occupies one digit. If you are using a switchboard system to access an outside line, press the PAUSE button on the handset to store a pause.

Dialing a Number from Memory

1. Pick up the handset and press the TALK button. The handset IN USE/BATT. LOW LED indicator flashes while auto scanning for the best channel available. A dial tone will be heard when the IN

USE/BATT LOW LED indicator lights solid.

2. Press the MEMO button.
3. Press the memory location (0-9) on the keypad for the number you have stored. The stored number will be dialed automatically.

NOTE: If you have difficulty storing or recalling numbers from memory, refer to the “Troubleshooting” chart of this user manual.

Changing Stored Phone Numbers

1. Follow the steps described in “Storing Telephone Numbers into Memory”.
2. The new phone number will automatically replace the previous one.

PAGE Function

To alert the handset user or to locate the misplaced handset, press the PAGE button on the base unit. Pressing this button will activate the handset to beep for one (1) minute, provided that handset is located within transmitting range. Press again to stop.

NOTE: The base unit could page the handset regardless if the handset ringer is set either to ON or OFF.

RINGER ON/OFF SWITCH

You can set the handset to the following settings:

- **ON** - The handset rings when receiving incoming calls. For normal use, always set the switch to this position.
- **OFF** - Turns off the handset ringer.

NOTE: The handset will not ring when the RINGER ON/OFF switch is set to OFF.

Low Battery Warning

When the handset battery voltage level is low, the IN USE/BATT LOW LED indicator on the handset will start to blink and a beep sounds. Return the handset to its cradle on the base unit for charging.

65,536 Combination Security Coding

The cordless telephone have a digital coding security system to prevent unauthorized use of your telephone line by other cordless phones nearby. The cordless telephone have 65,536 possible security code combinations. Each combination of the code is randomly generated every time the handset is picked up.

Resetting Security Code and Channel

Communication between the handset and the base unit may not be possible in any of the following situations:

1. After a power failure.
2. After relocating the base unit by disconnecting the AC adapter.
3. After replacing the handset battery.
4. The handset goes out of range from the base unit.

To reset, place the handset on the cradle of the base unit for five seconds.

Out of Range Detection

The cordless telephone is equipped with Out of Range detection system. If you go too far away from the base during a call, the handset may lose link with the base unit. When this happens, the handset emits a beeping sound every second to warn you that the background noise level is too high for proper communication between the handset and the base unit. When you hear this sound, you should move closer to the base unit to reduce the noise level. Otherwise, the call will automatically cut off.

TECHNICAL INFORMATION

This cordless phone uses radio frequencies to allow mobility. There are certain difficulties in using radio frequencies with a cordless telephone.

While these are normal, the following could affect the operation of your system.

Noise: Electric pulse noise is present in most homes at one time or another. This noise is most intense during electrical storms. Certain kinds of electric equipment such as light dimmers, fluorescent bulbs, motors, and fans also generate noise pulses. Because radio frequencies are susceptible to these noise pulses, you may occasionally hear them in your handset. Generally they are a minor annoyance and should not be interpreted as a defect in your system.

Range: Because radio frequencies are used, location of the base unit can affect operating range. Try several locations in your home or business and pick the one that gives you the clearest signal.

Interference: Some electronic devices operate in and/or generate interference near the operating frequencies of your cordless telephone. While several protection circuits are used to prevent unwanted signals, there may be periods when these unwanted signals cause interference. If interference occurs frequently, it can be minimized or eliminated by lowering the height of your base antenna or by relocating the base unit. You can check for interference before selecting the final base unit location by plugging in the phone.

Improving Cordless Reception

Follow these guidelines to improve cordless sound quality:

- Select an area to install the unit where it is closest to the center of your home or office. This will

improve the operating range of the unit.

- Keep the base unit away from electrical equipment. Radio Frequency Interference (RFI) is sometimes generated by these appliances, which can cause a degradation in cordless reception.
- Keep the handset batteries charged as much as possible. Weak handset

batteries can limit the range of cordless operation.

TROUBLESHOOTING

SYMPTOM	SOLUTION
No dial tone	<ul style="list-style-type: none"> • Check to see if the handset battery pack is connected inside the handset battery compartment. • Make sure that the adaptor plug is connected to the base unit. • Check for the telephone line cord connections, Ensure that both connectors are plugged securely on the jacks. • Ensure that no other telephone is sharing the same line as the cordless telephone when off-hook. • Test the phone at a different telephone wall jack and listen for a dial tone. • Test a different phone in the wall jack and listen for a dial tone.
Will not ring	<ul style="list-style-type: none"> • Check the handset RINGER ON/OFF switch. For normal use, set to ON. The handset will not ring in OFF mode. • The phone or another phone connected to the same line may be in the off-hook (IN USE) position. • Try a different phone, if the problem still exists, the fault is not with the unit. • Look for the Ringer Equivalence Number (REN) number printed underneath your phone(s). Sum up the total REN numbers for all the phones or answering machines connected to your telephone line. Your phone(s) may not ring if the REN total exceeds five(5). Please call your local company to determine the maximum REN for your calling area.
Can not dial out	<ul style="list-style-type: none"> • Press the TALK button on the handset and listen for a dial tone before dialing out. • Are you in a rotary only area? Set the TONE/PULSE switch to PULSE. • Try a different phone in the jack. If the problem persists, the fault is not in the cordless telephone. • Is the phone connected to an answering machine? Disconnect the answering machine and try to have the phone plugged into the jack alone. If it works alone, there is a compatibility problem. Purchase a 2 or 1 adaptor into the modular wall jack, and then plug the phone into one side and the answering machine on the other side of the adaptor.
Memory feature does not work	<ul style="list-style-type: none"> • Make sure that the unit is in the standby mode before storing a phone number. • The maximum number of digits that you can store for each memory location is 16 digits. See the “Memory Dialing” section for more details.

No link between the base and handset	<ul style="list-style-type: none"> You may have taken the handset at a distance away from the base that is beyond its normal operating range. Refer to the section of "Operating Range" in the manual for more details.
The unit locks up and becomes inoperable	<ul style="list-style-type: none"> In the unlikely event that the unit locks up and becomes inoperable, you can reset the system by momentarily disconnecting and reconnecting the handset battery pack. Afterwards, return the handset to its cradle on the base unit to reset the security code before using the unit. Should a power outage occur while the handset is away from the base unit, the handset must be returned to its cradle on the base unit to reset the security code when power is resumed.

AC ADAPTOR:USE ONLY WITH CLASS 2 POWER SOURCE, OUTPUT 9VDC, 200mA .



THIS SYMBOL IS INTENDED TO ALERT THE USER OF THE PRESENCE OF IMPORTANT OPERATING AND MAINTENANCE (SERVICING) INSTRUCTIONS IN THE OWNER'S MANUAL.



Distributed Exclusively Worldwide by Unical Enterprises, Inc., Industry, California, USA
39280/061703A-2 www.nwbphones.com