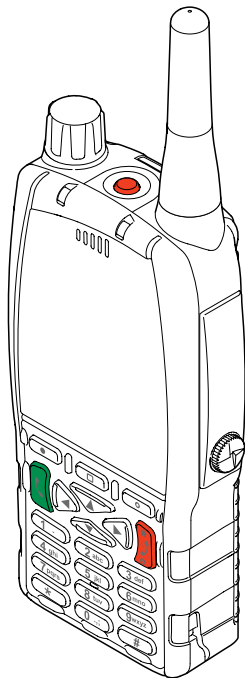


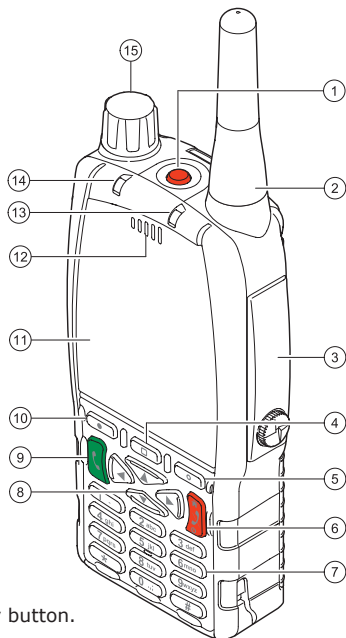
Quick Reference Guide

SC21 series hand-portable radio

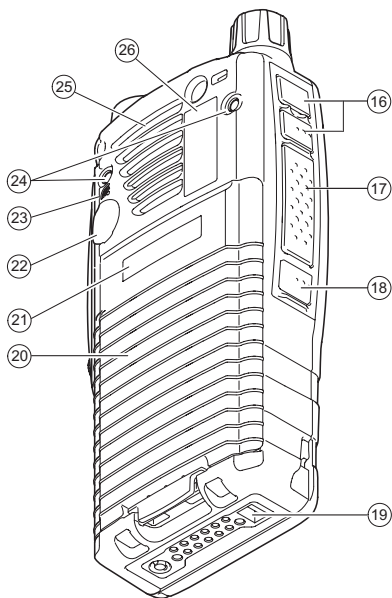


sepura

Going further in critical communications



- | | | | |
|---|---|----|--------------------------------|
| 1 | Emergency button. | | |
| 2 | Antenna. | | |
| 3 | Rugged Accessory Connector (sRAC). Remove the cover to fit an accessory. Refit the cover when an accessory is not in use. | 8 | Navigation keys. |
| 4 | Centre Context key (Groups, Status, Profiles). | 9 | Select/Send key. |
| 5 | Right Context key. | 10 | Left Context key. |
| 6 | Cancel/Home key. | 11 | Colour display with backlight. |
| 7 | Alphanumeric keypad with microphone behind. | 12 | Earpiece and Microphone. |
| | | 13 | Blue LED. |
| | | 14 | Tri-Coloured LED. |
| | | 15 | Navi-knob. |



- | | | | |
|----|-------------------------------------|----|----------------------------------|
| 16 | Side buttons A/B (soft keys). | 22 | External Antenna Connector. |
| 17 | PTT button. | 23 | RFID tag. |
| 18 | Side button C (soft key). | 24 | Mounting clip attachment points. |
| 19 | Digital Accessory Connector (sDAC). | 25 | Loudspeaker. |
| 20 | Battery. | 26 | Radio user label area. |
| 21 | Battery user label area. | | |

Power on	Press and hold (2 seconds) the Cancel/Home key.
Power off	From the Home screen, press and hold (2 seconds) the Cancel/Home key, then follow the instructions to power off.
Home screen	The Home screen displays when the radio powers on and when it is idle. To quickly get back to the Home screen, press and hold (2 seconds) the Cancel/Home key.
Menu	To enter the menu, from the Home screen press the Menu context key. Use the navigation keys to scroll through the menus and options. To open a sub-menu or menu option, select it (highlight it) and press the Select context key. To return to a higher level menu, press the Back context key.
Activating a soft key	Special features such as SmartMenus can be assigned to a soft key. To activate a soft key function, press and release a programmable side button. Press and hold (1 second) any one of the 0-9, * and # keys to activate a soft key function.
Adjust the volume	Rotate the Navi-knob .
Lock keypad	From the Home screen, press the * Star key, then press the OK context key. To unlock the keypad, press the * Star key, then press the OK context key.
Clear notifications	From the Home screen press the Shortcut context key to open the Shortcut Bar. Use the navigation keys to scroll to the notification, highlight it and then press the Select context key. Use the feature in the usual way to close the notification, for example, read an unread message or disable a function



Your radio has a powerful loudspeaker. Always check the type of incoming call before placing the radio close to your ear.

Alarm Calls



Press and hold the **Emergency** button (for 2 seconds). Press the **PTT** button and speak into the top microphone. If your radio is customised for 'live microphone' you can speak with out holding the **PTT** button for a period of time.

Make a Group call



Press and hold the **PTT** button and speak into the top microphone. When you have finished speaking, release the **PTT** button to listen to the other radio users through the loudspeaker. To end the call, press the **Clear** context key or the **Cancel/Home** key.

Make an individual call



From the Home screen, press the **Menu** context key. Select **Phone > Contacts** to open the contacts menu. Use the navigation keys to scroll to the folder containing the contact details and select your contact. Press the **Open** context key, and select the contact's phone number. Press the **PTT** button to make the call and speak into the top microphone. To end the call, press the **Clear** context key or the **Cancel/Home** key.

Make a telephone call



From the Home screen, press the **Menu** context key. Select **Phone > Contacts** to open the contacts menu. Use the navigation keys to scroll to the folder and select your contact. Press the **Open** context key, select the phone number and press the **Dial** context key to make the call. Hold the radio like a mobile phone, close to your ear and speak into the bottom microphone. To end the call, press the **Clear** context key or the **Cancel/Home** key.

Change the talkgroup

From the Home screen, press the **Groups** context key. The Talkgroup Selection box appears showing the current selected talkgroup and folder. Directional arrows displayed under the talkgroup name indicate that there are more talkgroups available in the current folder. Rotate the **Navi-knob** to scroll through the talkgroups. To attach a talkgroup, press the **Select** context key.

Change the talkgroup folder

From the Home screen, press the **Groups** context key. The Talkgroup Selection box appears showing the current selected talkgroup and folder. Use the **Up** and **Down** navigation keys to scroll through the folder levels (sub-folders). Use the **Right** and **Left** navigation keys to scroll through more folders at the same level. Press the **Select** context key to select the new folder. You can then select a talkgroup from the folder to be your selected talkgroup.

Send a text message

From the Home screen, press the **Menu** context key. Select **Messages > Create Message**. An empty message box appears. You can now start typing your message. To change between the text entry modes press the * key. Press the # key for special characters, 0 for punctuation and 1 to insert a space.

To send your message, press the **Send** context key, select the **Send to Default** option (or choose another destination such as your talkgroup, a contact in your phone book or dial the number) and then press the **Select** context key.

Send a Status message

From the Home screen, press the **Groups** context key 2 times. Use the navigation keys to scroll through the status messages.

To send the message, press the **Send** context key, select the **Send to Default** option (or choose another destination such as your talkgroup, a contact in your phone book or dial the number) and press the **Select** context key.

Switch between Day & Night modes

From the Home screen, press the **Menu** context key. Select **Options > Settings > Display Settings > Day/Night Mode**. Press the **Toggle** context key to switch between Day and Night mode. To return to the Home screen, press and hold (2 seconds) the **Cancel/Home** key.

Invert the display

From the Home screen, press the **Menu** context key. Select **Options > Settings > Display Settings > Invert Display**. Press the **Toggle** context key to switch between normal and inverted display. A tick appears in the check box when the display is inverted.

LED Indicators

- Green:** The radio is in a call and receiving.
- Red:** The radio is in a call and transmitting.
- Red (flashing):** You are receiving an Alarm call from another radio user or the radio is attempting to connect to the network or the battery charge level is low.
- Orange (flashing):** Incoming telephone call or SDS/Status message.
- Orange (intermittent four flashes):** Transmit Inhibit mode is active. The radio cannot transmit.
- Blue (flashing):** You have missed a call or there are unread messages in your Inbox.

Status Icons



Alarm call is in progress



Outgoing TMO call in progress



Incoming TMO call in progress



Incoming DMO call in progress



Outgoing DMO call in progress



Signal Strength (more bars indicate stronger signal)



Black icon indicates good radio coverage. Red icon indicates no signal.



Battery charge level. Shows the amount of charge in the battery. Full icon is full charge.



Keypad lock



Connector Protector enabled



Connector Protector disabled

Notification icons



Missed incoming call



Missed incoming message



Transmit Inhibit