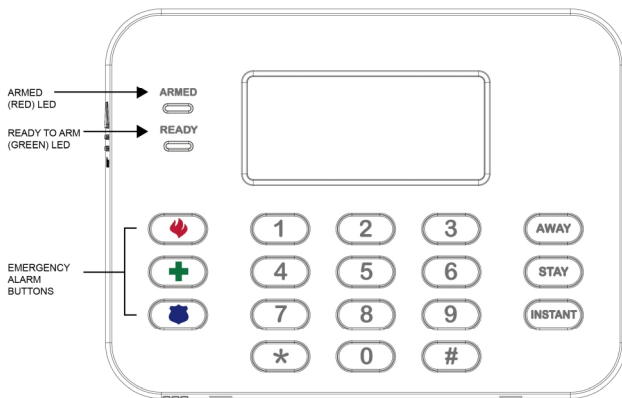


Basic Keypad Installation Guide

Product Description

The basic keypad can provide a convenient interface to enable control of all system functions. You can use the keypad to arm or disarm your security system as well as check system status. A beep will sound when any button is pressed on the keypad.

The keypad is also equipped with a tamper switch. If the keypad is removed from the wall, the device will generate an alarm and send it to the AT&T digital Life Central Monitoring Center. The keypad features are shown in the following figure.



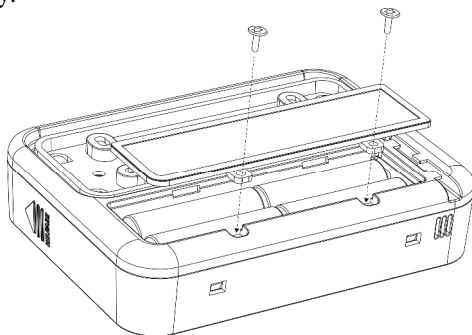
Package Contents

The following items should be included:

- Basic Keypad x 1
- Wall Mounting Plate x 1
- Anchor/Screw x 4
- Battery Cover Screw x 2
- Screw Adapter x 1
- NiMH Rechargeable Battery x 4

Pre-Installation

1. Install the four supplied NiMH rechargeable batteries correctly.

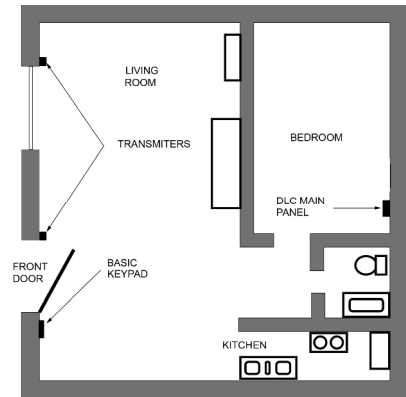


2. Attach and tighten the battery cover to the keypad with two supplied Security Torx screws.

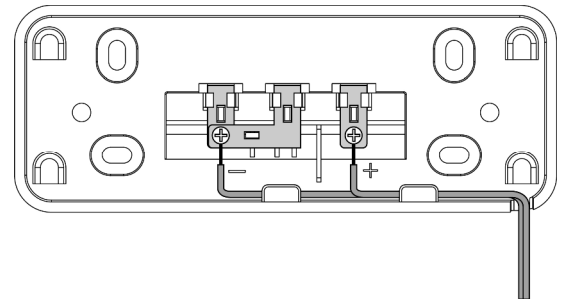
NOTE: A special screwdriver is required for installing the Security Torx screws.

Installation

NOTE: The installation area should be a flat surface. Mounted it down on an uneven surface could cause damage to the unit.

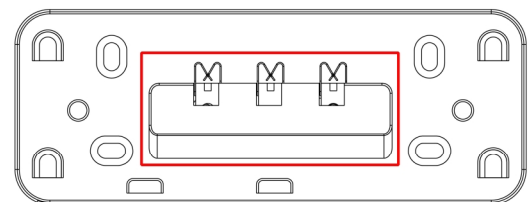


1. Route the wire (not included) from the control panels through the opening in the back of the mounting plate.

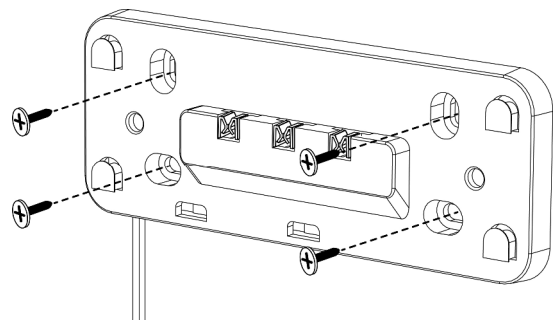


2. Place the mounting plate in the desired position of the wall.

NOTE: Make sure the connector pins of the mounting plate are upward while installing.

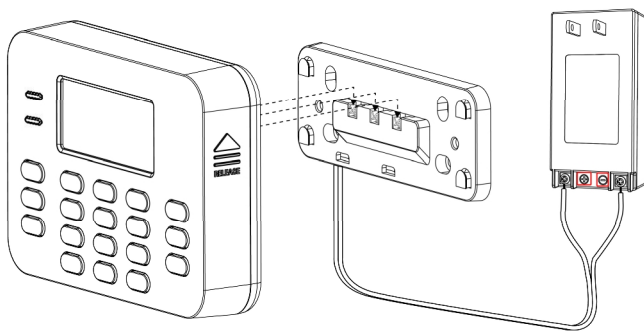


3. Use a screwdriver to mount the plate with the included four anchors/screws through the round holes.

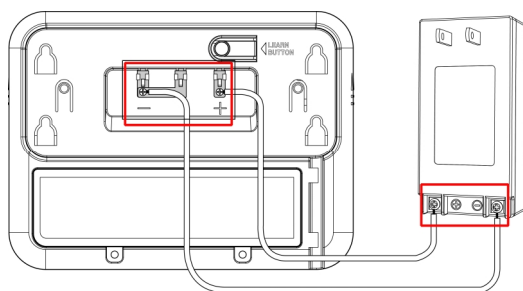


4. Attach and push down the keypad to the plate. Make sure the device is firmly fixed on the wall.

- Using the wire to connect the supplied power adapter. Use only the power adapter provided. Using a different one may cause hardware damage.



NOTE: Make sure that the **positive** and **negative** wires are on the correct terminals.

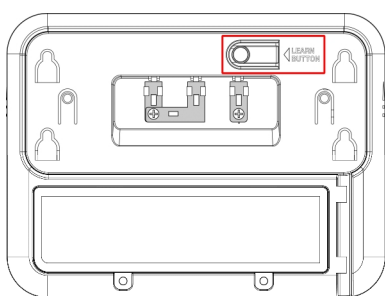


- Plug the power adapter into an AC socket.
- The LCD will light up, as well as the backlight if the installation is successful.

Discovering and Registering the Device Controller

Follow these steps to discover and register the device controller:

- Place the keypad into Discovery Mode.
- Make the keypad discoverable by pressing the Learn button located on the back of the unit.



- Confirm that the keypad has been discovered in DLC100.
- Label the keypad in DLC100.

FCC Statement

This equipment has been tested and found to comply with the limits for a Class B digital device, pursuant to Part 15 of the FCC Rules. These limits are designed to provide reasonable protection against harmful interference in a residential installation.

This equipment generates, uses and can radiate radio frequency energy and, if not installed and used in accordance with the instructions, may cause harmful interference to radio communications. However, there is no guarantee that interference will not occur in a particular installation. If this equipment does cause harmful interference to radio or television reception, which can be determined by turning the equipment off and on, the user is encouraged to try to correct the interference by one of the following measures:

- Reorient or relocate the receiving antenna.
- Increase the separation between the equipment and receiver.
- Connect the equipment into an outlet on a circuit different from that to which the receiver is connected.
- Consult the dealer or an experienced radio/TV technician for help.

To assure continued compliance, any changes or modifications not expressly approved by the party responsible for compliance could void the user's authority to operate this equipment. (Example - use only shielded interface cables when connecting to computer or peripheral devices).

Radiation Exposure Statement

This product comply with the FCC portable RF exposure limit set forth for an uncontrolled environment and are safe for intended operation as described in this manual. The further RF exposure reduction can be achieved if the product can be kept as far as possible from the user body or set the device to lower output power if such function is available.

This device complies with Part 15 of the FCC Rules. Operation is subject to the following two conditions:

- (1) This device may not cause harmful interference, and
- (2) This device must accept any interference received, including interference that may cause undesired operation.

This transmitter must not be co-located or operating in conjunction with any other antenna or transmitter.