



ADT Pulse[®] Interactive Solutions
RC8326

Wireless Indoor Day/Night HD Camera
Quick Installation Guide

Table of Contents

CHAPTER 1 INTRODUCTION	3
Overview.....	3
Physical Details	4
Package Contents.....	6
CHAPTER 2 BASIC SETUP	7
Installation.....	7
CHAPTER 3 ADT PULSE ENROLLMENT	9
Using WPS with PIN to Enroll the Camera	9
Smart IR Function	14
If the Camera Continually Goes Offline	14
CHAPTER 4 WALL MOUNTING	15
APPENDIX A SPECIFICATIONS	17
RC8326 Wireless Day/Night HD Camera	17
Regulatory Approvals	18

Property of ADT, LLC. Information accurate as of published date and is provided “as is” without warranty of any kind.

©2017 ADT LLC dba ADT Security Services. All rights reserved. ADT, the ADT logo, 800 ADT.ASAP and the product/service names listed in this document are marks and/or registered marks. Unauthorized use is strictly prohibited.

RC8326-QIG-01 (03/17)

Chapter 1

Introduction

1

This section provides information about the RC8326 HD Camera's features, components and capabilities.

Overview

The RC8326 is a true day/night wireless camera with HD resolution, 802.11n Wi-Fi connectivity and Wi-Fi Protected Setup (WPS) support. This camera is intended for use with ADT Pulse®.

Features

- **Standalone Design.** The wireless HD camera is a standalone system with built-in CPU and video encoder. It requires only a power source and a connection to the ADT Pulse gateway.
- **Dual Video Support.** The RC8326 supports H.264 and MJPEG video compression.

Wireless Features

- **Supports 802.11n Wireless Standard.** The 802.11n standard provides backward compatibility with the 802.11b and g standards.
- **Supports WPS.** Wi-Fi Protected Setup (WPS) can simplify the process of connecting the wireless HD camera to the wireless network by using the push button configuration.
- **Wired Network.** The RC8326 connects to the Pulse network wirelessly.

Physical Details

Front

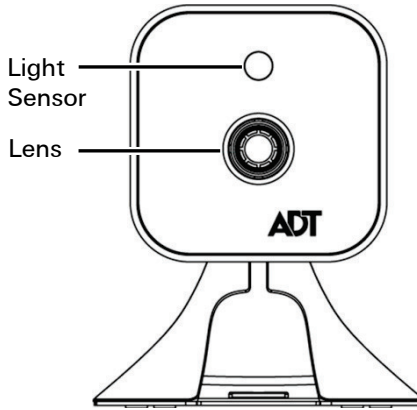


Figure 1: Front Panel

Light Sensor

This is a hardware sensor to detect lux.

Lens

The lens cannot be adjusted. Please ensure that the lens cover remains clean. The image quality is degraded if the lens cover is dirty or smudged.

Rear

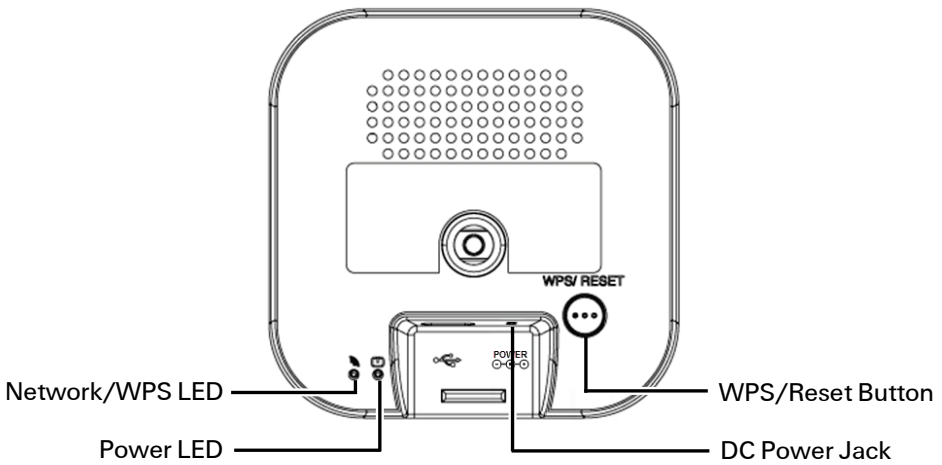


Figure 2: Rear Panel

Network/WPS LED (Green, Amber)	<p>Off. Wireless network is not connected or camera is not sending/receiving data.</p> <p>On (Green). Wireless network connection is available.</p> <p>Blinking (Green). Data is being transmitted or received via the wireless connection.</p> <p>On (Amber). If the LED is on for 5 seconds and then turns off, the WPS function has failed.</p> <p>Blinking (Amber). The WPS connection is processing.</p>
Power LED (Green)	<p>Off. No power.</p> <p>On. Power on. Power on. Also, prior to enrollment, indicates start up mode (approximately 1 minute).</p> <p>Blinking. Prior to enrollment, the Power LED blinks after start up to indicate no network.</p>
DC Power Input	<p>Connect the supplied 12V power adapter here. Do not use other power adapters; doing so may damage the camera.</p>
WPS/Reset Button	<p>This button serves two functions on the camera.</p> <ul style="list-style-type: none">• WPS PIN Code Mode. When pressed and held for 5 seconds during the Pulse enrollment process, the camera creates an encryption-secured wireless connection.• Reset. When pressed and held over 15 seconds, the camera reboots and the settings are restored to default values.

Package Contents

The following items are included in the package.

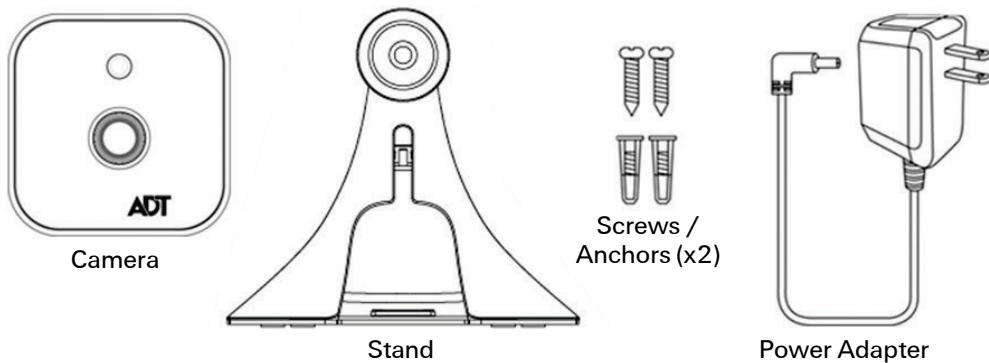


Figure 3: What's in the Box

Chapter 2

Basic Setup

2

This section provides information on how to assemble and configure the RC8326 HD Camera for enrollment.

Installation

1. Assemble the Camera

Temporarily locate the camera close to the enrollment computer and attach the Camera Stand to the camera.

2. Power Up

Connect the supplied 12V power adapter to the camera and power up. Use only the power adapter provided. Using a different one may cause hardware damage.



CAUTION: Use only the power adapter provided. Using a different one can result in hardware damage.

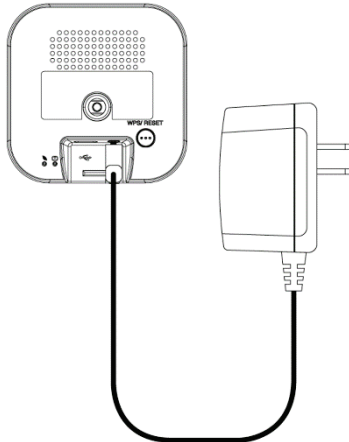


Figure 4: Power Connection

The Power LED lights up solid green during startup, which takes about one minute. After startup is completed, and prior to enrollment, the Power LED blinks green.

4. Check the LEDs

- **Power LED.** The Power LED lights up solid green during startup, which takes about one minute. After startup is completed, and prior to enrollment, the Power LED blinks green.
- **Network/WPS LED.** At power up, the Network/WPS LED is off. (The Network/WPS LED will flash amber when the camera attempts to connect wirelessly to the gateway. The Network/WPS LED will turn solid green when the wireless connection is successful.)

5. Enroll the Camera in ADT Pulse

This process is described in the next chapter, **ADT Pulse Enrollment**.

6. Mount the Camera

Place the camera in its final permanent location near a power source. For mounting on a wall using the mounting plate, see **Chapter 4 Wall Mounting**.

SD Card Slot (Future Enhancement)

On the side of the camera is a small plate held in place with a retaining screw. Beneath this cover is a SD card slot that will be used in a future software release.

Note: As the SD card slot is not functional at this time, please do not remove this protective cover.



Figure 5: Future SD Card Slot Location

Chapter 3

ADT Pulse Enrollment



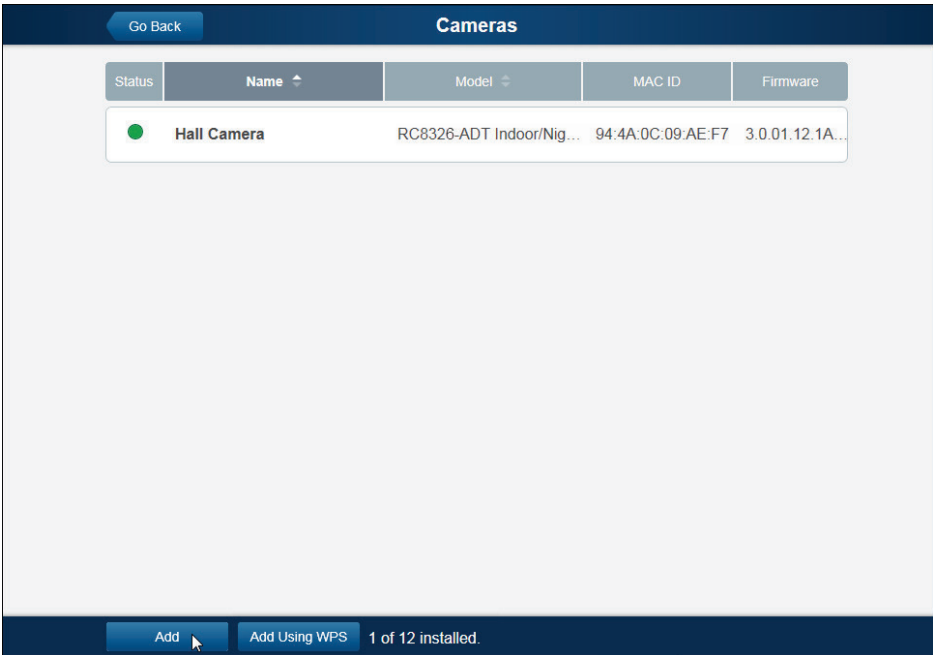
This section provides instructions for wirelessly enrolling the RC8326 HD Camera into the ADT Pulse network. This process uses the Wi-Fi Protected Setup (WPS) with PIN method to wirelessly enroll the camera to the gateway via the ADT Pulse Portal or TS Installer App.

Using WPS with PIN to Enroll the Camera

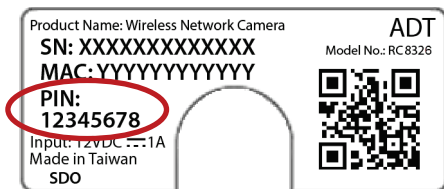
1. Set up the camera, as described in Chapter 2.
2. Launch an Internet browser and log in to the Pulse portal or TS installer app.
3. Enter the *Manage Devices* screen using one of these methods:
 - For the Pulse portal, select the **System** tab and click **Manage Devices**.
 - For the TS installer app, click the **Pulse Devices** link.

The *Manage Devices* screen displays.

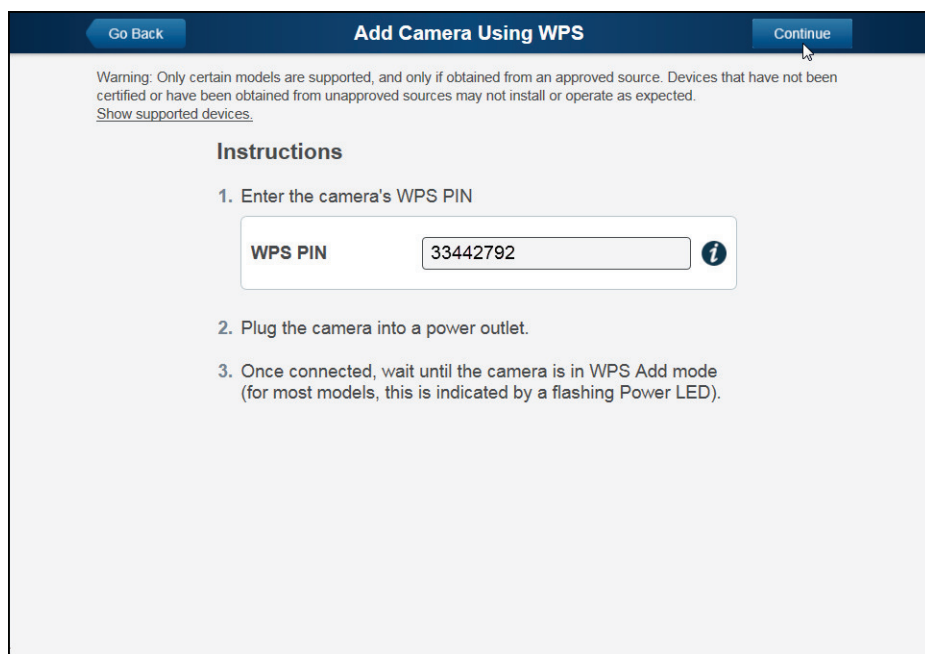
4. In the *Manage Devices* screen, click **Cameras**.
5. Click the **Add Using WPS** button at the bottom of the screen.



6. Locate the **PIN** number located on the label on the rear of the camera.



7. On the *Add Camera Using WPS* screen, enter the **PIN** number in the **WPS PIN** field.



8. Ensure that the camera is powered on and that the Power LED is flashing green.
9. Click the **Continue** button to initiate the WPS process.

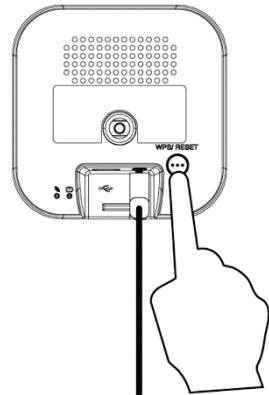
The following screen appears.



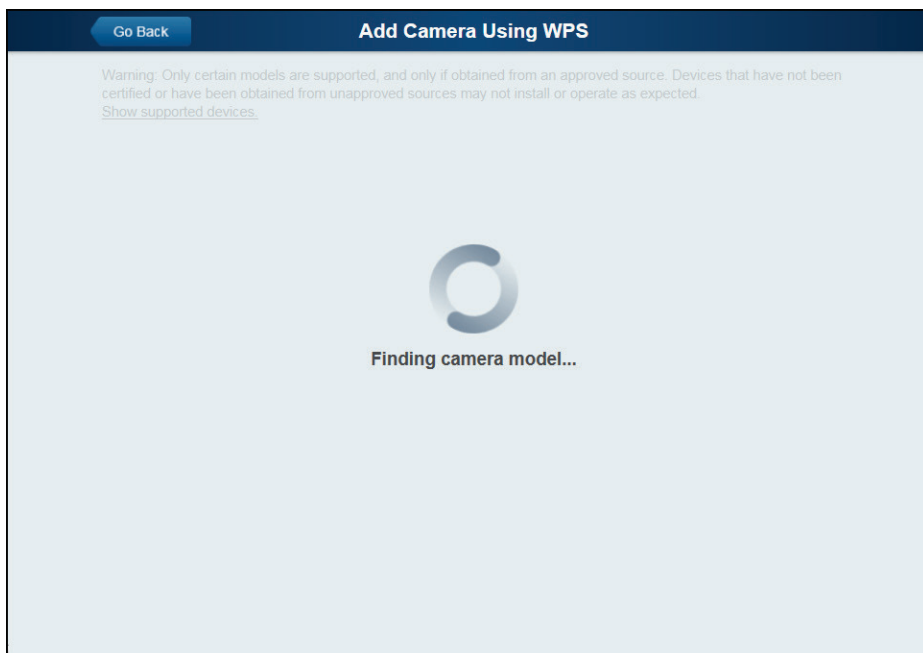
10. Press and hold the **WPS/RESET** button on the camera for 5 seconds to establish a wireless connection.

Note: You must complete the WPS connection within 2 minutes or else the process will time out. The time remaining is displayed in the upper left portion of the screen.

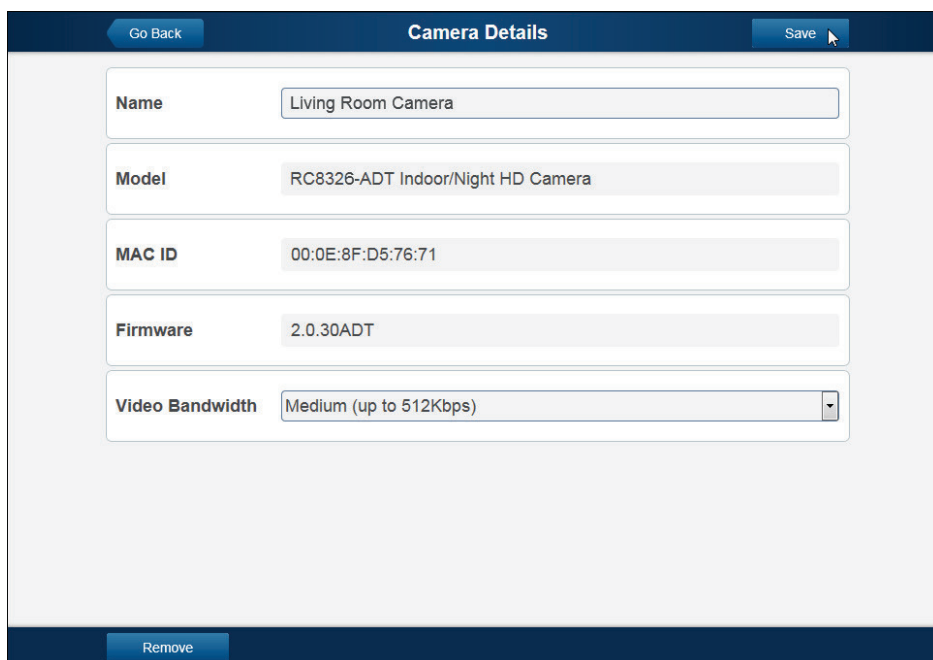
The Network/WPS LED flashes amber as the gateway attempts to connect to the camera. The wireless connection is successful when the Network/WPS LED turns solid green.



The following screen is displayed while the camera is configured.



11. When the *Camera Details* screen appears, showing that the camera has been enrolled, assign the RC8326 a unique name (usually based on the location of the camera) in the *Name* field, and then click **Save**.



The Pulse enrollment is complete. The newly-added device appears in the *Cameras* list.

Status	Name	Model	MAC ID	Firmware
●	Hall Camera	RC8326-ADT Indoor/Nig...	94:4A:0C:09:AE:F7	3.0.01.12.1A...
●	Living Room Camera	RC8326-ADT Indoor/Nig...	D4:21:22:E8:FA:F9	3.0.01.12.1A...

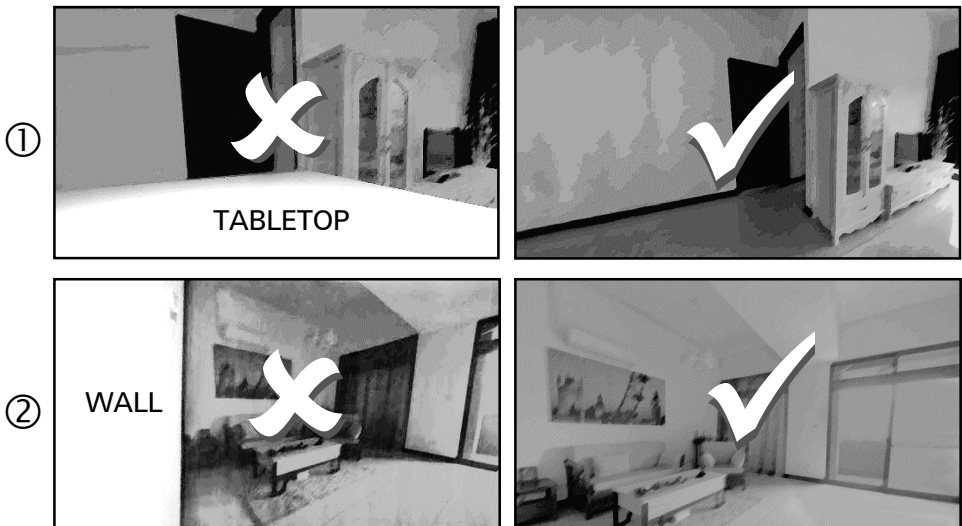
At the bottom of the interface, there are buttons for **Add** and **Add Using WPS**, and a status indicator: **2 of 12 installed**.

12. At the top left of the screen, click **Go Back**.
13. You are returned to the *Manage Devices* screen. The total number of installed cameras has increased by one. Click **Close**.
14. Click **Close** again to confirm.
15. Wait until the Power LED and Network LED are both lit solid green, and then disconnect the camera from power.
16. Install the camera in its final location.
For *Wall Mounting*, refer to Chapter 4.

Smart IR Function

The RC8326 uses a smart IR function for night viewing. This means that the camera automatically adjusts the IR light output and gain. As a result, if any objects are in the close foreground of the image, the camera lowers the IR light output to prevent overexposing those objects. The drawback of the smart IR function is that this feature causes background objects to receive less IR light and to be displayed with lessened detail. This result is typical for the smart IR function.

To get the best video quality for targets at night, make sure that the camera's field of view does not include a large foreground object, such as tabletop or side wall. If installing on a tabletop, place the camera as close to the edge as possible, as demonstrated in the photos in row 1 below. If installing on a wall, angle the camera so that a minimal portion of the wall is visible, as demonstrated in the photos in row 2 below.



If the Camera Continually Goes Offline

If after enrolling it the camera, it continually goes offline (Power LED blinks continually), the camera will automatically attempt to recover the wireless connection. If the camera cannot recover on its own, take the following measures to re-establish the Wi-Fi connection.

1. Power cycle the camera.
2. If the previous measure fails, move the gateway closer to the camera.
3. If the previous measure fails, press the camera's reset button for 15 seconds, and then re-enroll the camera into Pulse.
4. If the previous measure fails, install a Wi-Fi Range Extender model WN3000RPH-2ADPAS.

Chapter 4

Wall Mounting

4

This section provides details for final mounting of the RC8326 HD Camera. You should ensure that the camera is configured and enrolled in ADT Pulse before permanently mounting it.

1. Locate the mounting plate at the bottom of the camera stand and slide the mounting plate forward to release it from the stand.
2. Hold the mounting plate at the location where you would like to mount the camera and mark the location of the two mounting holes.
3. Drill two pilot holes on the mounting surface at the marked locations.
4. Align the two mounting holes on the camera stand with the two pilot holes, and mount the mounting plate to the surface using the two screws supplied.

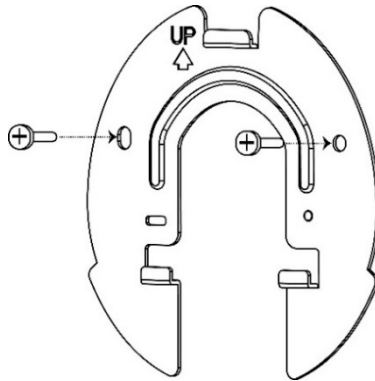


Figure 6: Installing the Mounting Plate

5. Slide the camera stand onto the mounting plate until it clicks into place.

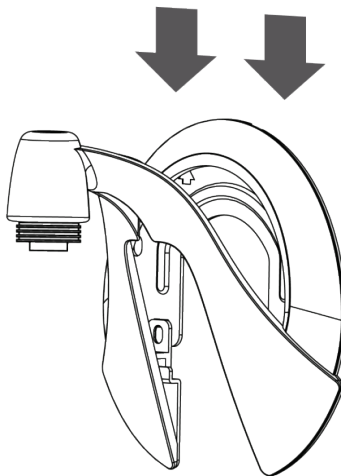


Figure 7: Mounting the Camera Stand

6. Remove the cable organizer from the stand. Insert the cables into the hole, run cables through the organizer, and then replace it on the stand.
7. Connect the power cable into the back of the camera and plug the adapter end into a power outlet.



CAUTION: Use only the power adapter provided. Using a different one can result in hardware damage.

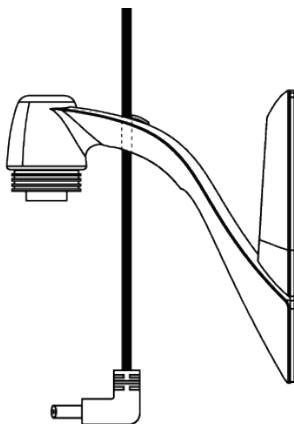


Figure 8: Routing the Cable

8. Screw/attach the camera onto the camera stand.

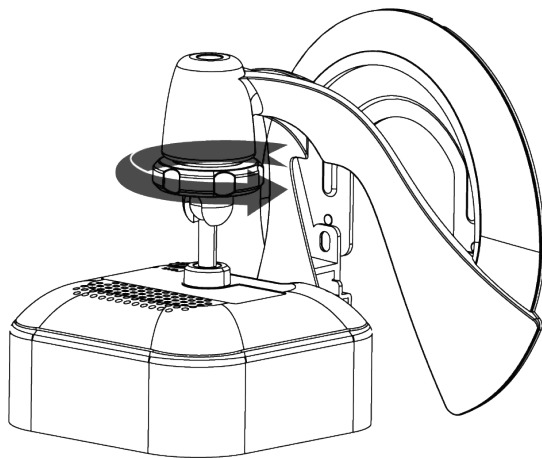


Figure 9: Attaching the Camera

9. Adjust the camera to a desired position and secure it firmly.
10. Verify that the camera is active on the wireless network and is recognized by ADT Pulse.

Note: If the camera does not re-connect, use of the ADT Wi-Fi extender (part no. WN300RPH-2ADPAS) may be recommended to improve wireless connectivity.

Appendix A

Specifications



RC8326 Wireless Day/Night HD Camera

Dimensions W x H x D	2.56" x 2.56" x 1.34" (65mm x 65mm x 34mm)
Operating Temperature	32°F to 104°F (0°C to 40 C)
Video Compression	H.264 and MJPEG
Image Resolution	1280x 720, 640x480, 320x 240 (QVGA)
Storage Temperature	-4°F to 158°F (-20°C to 70°C)
Network Protocols	TCP/IP, UDP, ICMP, DHCP, NTP, DNS, SMTP, FTP, HTTP, HTTPS, DDNS, RTP, RTSP, RTCP, UPnP
Network Interface	1 RJ-45 LAN connection for Ethernet through Micro USB to RJ-45 Adapter Cable
Wireless Interface	IEEE 802.11n/802.11b/802.11g compatible, WEP 64/128 bit, WPA/WPA2 personal security support
LEDs	2, Power and Network/WPS
Power Adapter	12V/1A, 100 to 240 VAC

Regulatory Approvals

FCC Statement

This equipment generates, uses, and can radiate radio frequency energy and, if not installed and used in accordance with the instructions, may cause harmful interference to radio communications. However, there is no guarantee that interference will not occur in a particular installation. If this equipment does cause harmful interference to radio or television reception, which can be determined by turning the equipment off and on, the user is encouraged to try to correct the interference by one of the following measures:

- Reorient or relocate the receiving antenna.
- Increase the separation between the equipment and receiver.
- Connect the equipment into an outlet on a circuit different from that to which the receiver is connected.
- Consult the dealer or an experienced radio/TV technician for help.

To assure continued compliance, any changes or modifications not expressly approved by the party responsible for compliance could void the user's authority to operate this equipment. (Example - use only shielded interface cables when connecting to computer or peripheral devices).

FCC Radiation Exposure Statement

This equipment complies with FCC RF radiation exposure limits set forth for an uncontrolled environment. This equipment should be installed and operated with a minimum distance of 20 centimeters between the radiator and your body.

This device complies with Part 15 of the FCC Rules. Operation is subject to the following two conditions:

- (1) This device may not cause harmful interference, and
- (2) This device must accept any interference received, including interference that may cause undesired operation.

This transmitter must not be co-located or operating in conjunction with any other antenna or transmitter.

Industry Canada Statement

This device complies with RSS-247 of the Industry Canada Rules. Operation is subject to the following two conditions: (1) This device may not cause harmful interference, and (2) this device must accept any interference received, including interference that may cause undesired operation.

Ce dispositif est conforme à la norme RSS-247 d'Industrie Canada applicable aux appareils radio exempts de licence. Son fonctionnement est sujet aux deux conditions suivantes : (1) le dispositif ne doit pas produire de brouillage préjudiciable, et (2) ce dispositif doit accepter tout brouillage reçu, y compris un brouillage susceptible de provoquer un fonctionnement indésirable.

Radiation Exposure Statement

This equipment complies with IC radiation exposure limits set forth for an uncontrolled environment. This equipment should be installed and operated with minimum distance 20cm between the radiator & your body.

Déclaration d'exposition aux radiations : Cet équipement est conforme aux limites d'exposition aux rayonnements IC établies pour un environnement non contrôlé. Cet équipement doit être installé et utilisé avec un minimum de 20 cm de distance entre la source de rayonnement et votre corps.