

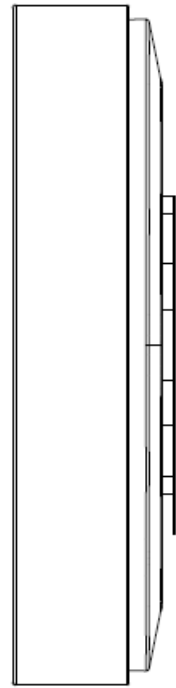
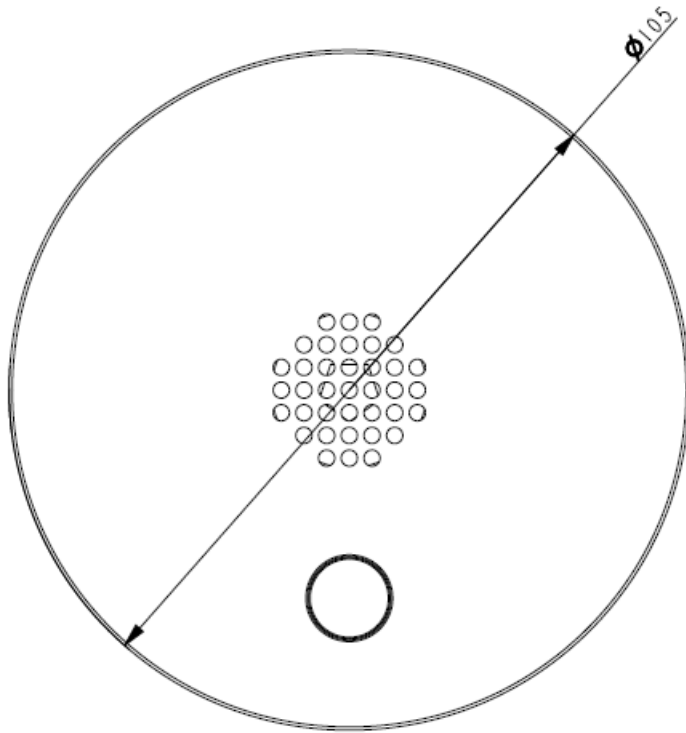
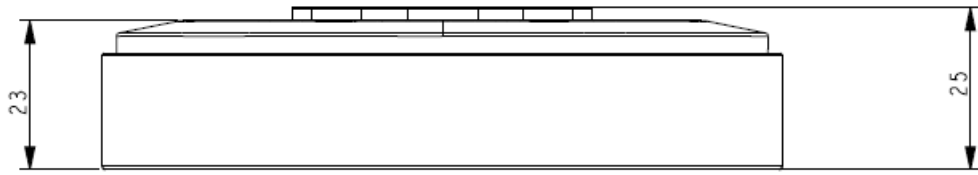
SD-SRN09 Quick Installation Guide

Indoor battery Siren is a DECT/ULE protocol device and ability to communicate with ADT base, Siren states included Alarm, Tamper, Low battery & Critical low battery

Specification

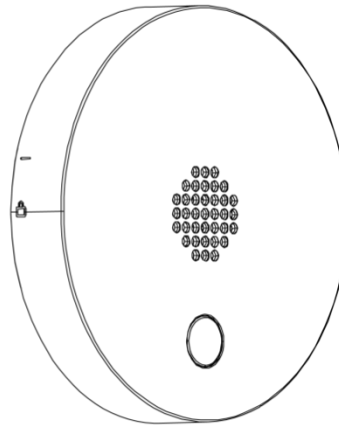
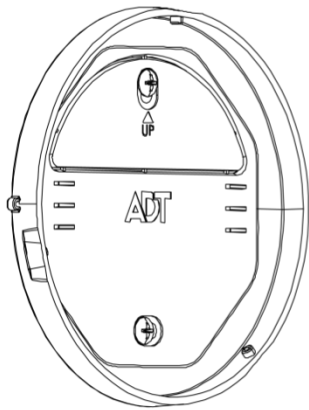
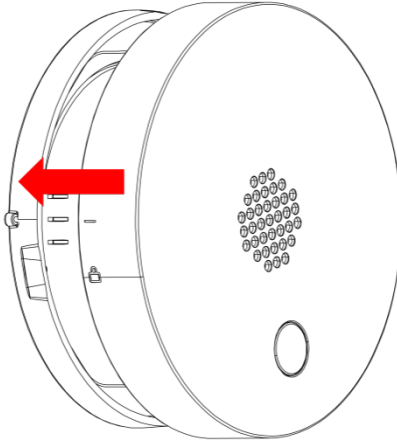
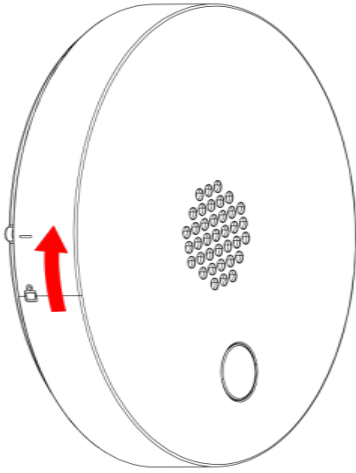
Frequency	1.9 GHz
Battery Type	CR123A * 2
RF Transmission Range	Outdoor: 100 Meters
Operating Temperature	0° C to 55° C (32° - 131°F)
Storage Temperature	-10° C to 60° C (14° - 140°F)
Battery Life	5 Years (Assume Siren alarm x 2 / per year, 1 minute each @25°C)
Dimensions (W x L x H)	Diameter: 105mm*25mm
Detect Range	Distance: Max. 10M (±1M) @25°C

Package Contents

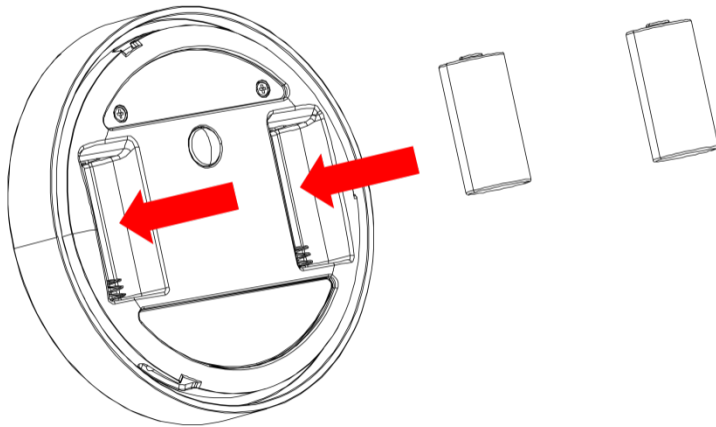


Installation

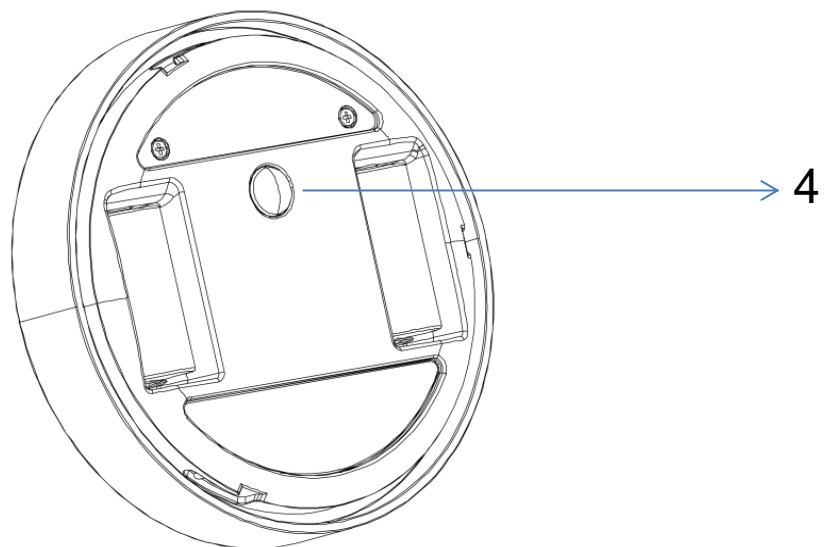
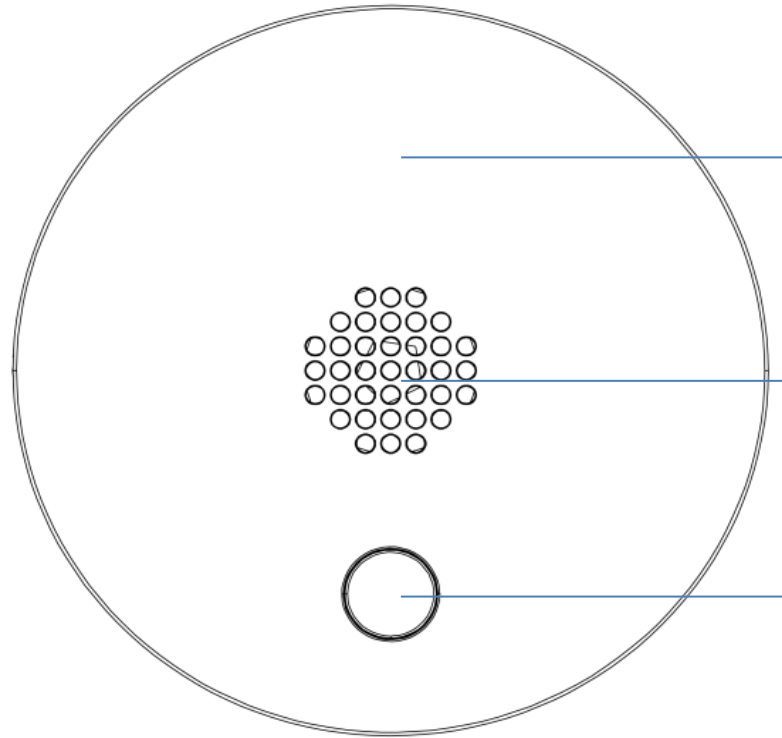
1. Unlock and remove mounting plate.



2. Insert CR123A Battery into Siren



3. The Siren of LED indicator will be blinking for 90sec while attempting to pair with the gateway or base station..



1. Indicator LED (Red, Green, Blue color)

2. Buzzer
3. Test Button
4. Tamper

- When the battery is installed, the Blue LED will be blinking for 90 seconds which indicates pairing process is on going.
- If pairing succes, Blue LED will be solid on for 3 seconds.If paring fail, Red LED will be solid on for 3 seconds.
- If paring fail, press “Test Botton” for 5 second to restart paring process.
- If Siren needs factory reset, press “Test Botton” for 10 second to Reset and restart paring process.

FCC Statement

This equipment has been tested and found to comply with the limits for a Class B digital device, pursuant to Part 15 of the FCC Rules. These limits are designed to provide reasonable protection against harmful interference in a residential installation. This equipment generates, uses and can radiate radio frequency energy and, if not installed and used in accordance with the instructions, may cause harmful interference to radio communications. However, there is no guarantee that interference will not occur in a particular installation. If this equipment does cause harmful interference to radio or television reception, which can be determined by turning the equipment off and on, the user is encouraged to try to correct the interference by one of the following measures:

- Reorient or relocate the receiving antenna.
- Increase the separation between the equipment and receiver.
- Connect the equipment into an outlet on a circuit different from that to which the receiver is connected.
- Consult the dealer or an experienced radio/TV technician for help.

To assure continued compliance, any changes or modifications not expressly approved by the party responsible for compliance could void the user's authority to operate this equipment. (Example - use only shielded interface cables when connecting to computer or peripheral devices).

FCC Radiation Exposure Statement

This equipment complies with FCC RF radiation exposure limits set forth for an uncontrolled environment. This equipment should be installed and operated with a minimum distance of 20 centimeters between the radiator and your body.

This device complies with Part 15 of the FCC Rules. Operation is subject to the following two conditions:

- (1) This device may not cause harmful interference, and
- (2) This device must accept any interference received, including interference that may cause undesired operation.

This transmitter must not be co-located or operating in conjunction with any other antenna or transmitter.