

# SZ-DWS02

## ZigBee Door / Window Sensor



---

# User Guide

---



# Table of Contents

---

<b>CHAPTER 1 INTRODUCTION</b> .....	<b>1</b>
<b>Package Contents</b> .....	<b>1</b>
<b>Specfication</b> .....	錯誤! 尚未定義書籤。
<b>CHAPTER 2 DEVICE DESCRIPTION</b> .....	<b>2</b>
<b>Components</b> .....	<b>2</b>
<b>Installation Guide</b> .....	<b>3</b>
<b>Preparing the Sensor for Installation</b> .....	<b>6</b>
<b>Operation</b> .....	<b>7</b>
<b>CHAPTER 3 REGULATORY APPROVAL</b> .....	<b>8</b>

Copyright 2012. All Rights Reserved.

Document Version: 1.0

All trademarks and trade names are the properties of their respective owners.



# Chapter 1

## Introduction



*This Chapter provides an overview of the ZigBee Door/Window Sensor features and capabilities.*

Congratulations on the purchase of your new ZigBee Door/Window Sensor. The ZigBee Door/Window Sensor is a consumer electronic device, which is used for home monitoring and security.

### Package Contents

The following items should be included:

- SZ-DWS02 sensor
- Magnet
- Adhesive Tape x 2 pcs for Magnet / Sensor
- CR123A Lithium Battery x 1 pcs
- Screws x 4 pcs for magnet / sensor
- Installation & Operation Manual 1 pcs

If any of the above items are damaged or missing, please contact your dealer immediately.

### Specification

Frequency: 2.4GHz

Battery type: DC 3V, CR123A Lithium Battery

Magnet gap: 1.27 cm ( 0.5" )

Supervisory interval: 60 mins

Low Battery detection: under DC2.7V

Operating temperature: 0° - 50°C (32° - 122°F);

Storage temperature: -20° - 70°C (-4° - 158°F)

#### Dimensions :

Main Unit : 23 mm x 24 mm x 95 mm (0.91" x 0.94" x 3.74")

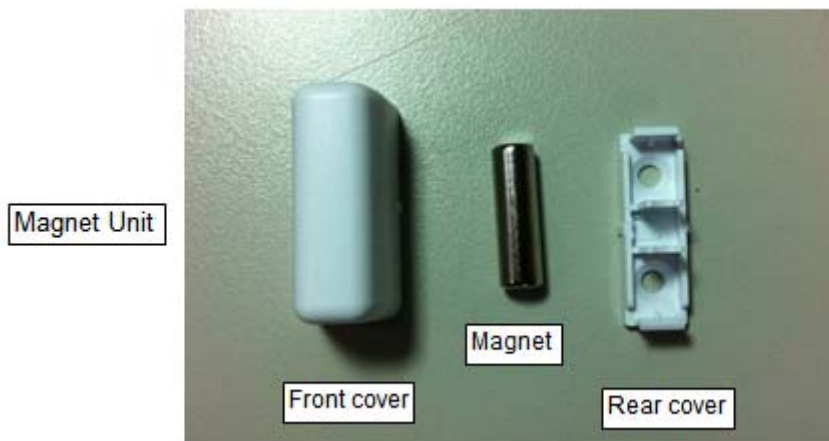
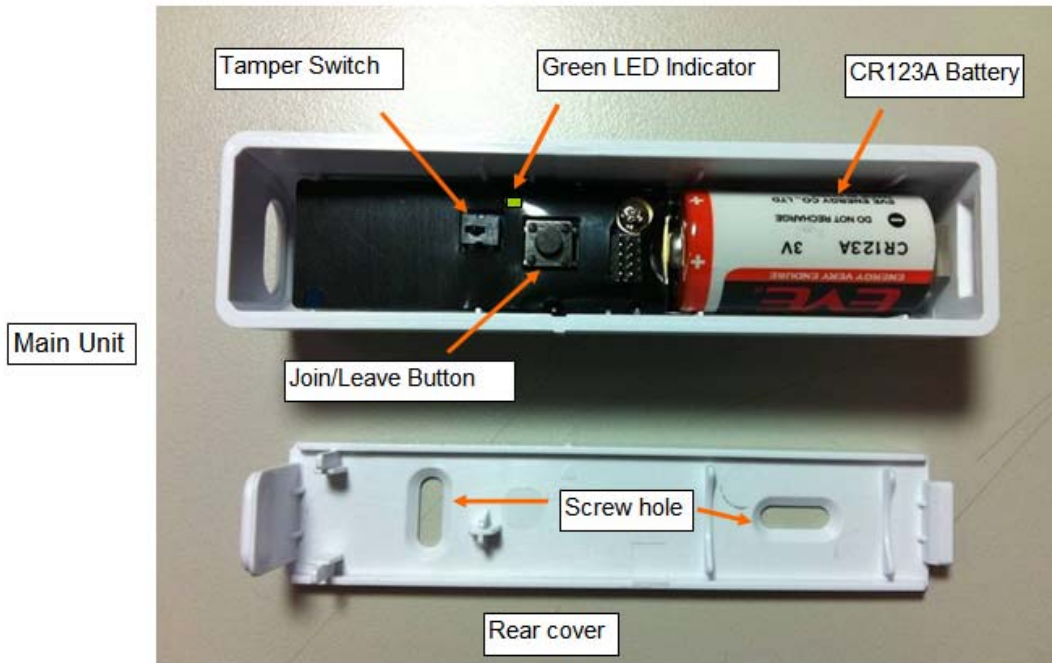
Magnet Unit : 31 mm x 13 mm x 18 mm (1.22" x 0.51" x 0.71")

# Chapter 2 Device Description

# 2

*This Chapter provides device description for the ZigBee Door/Window Sensor.*

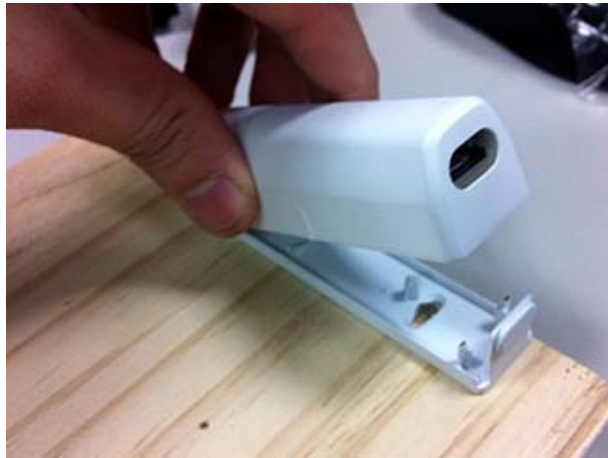
## Components



---

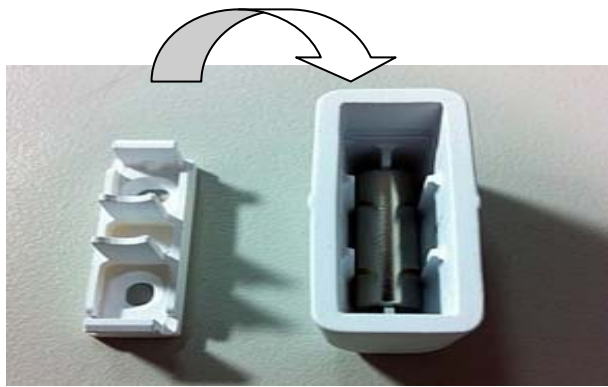
## Installation Guide

Main Body:



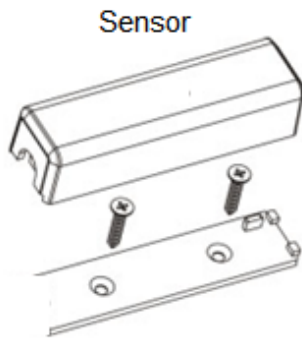
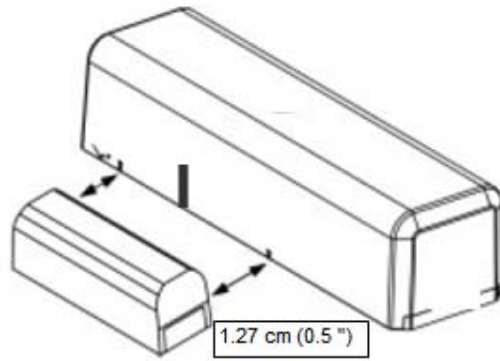
---

Magnet:



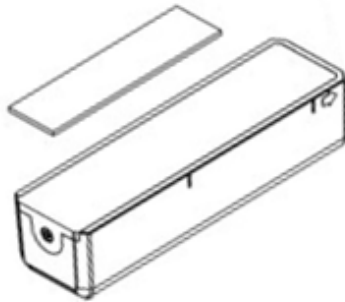


The magnet shall be fixed to close to the specific area, and the distance from sensor shall not be over 1.27cm (0.5 inch)



Use screws

or



Adhesive tape

### Magnet



Use screws

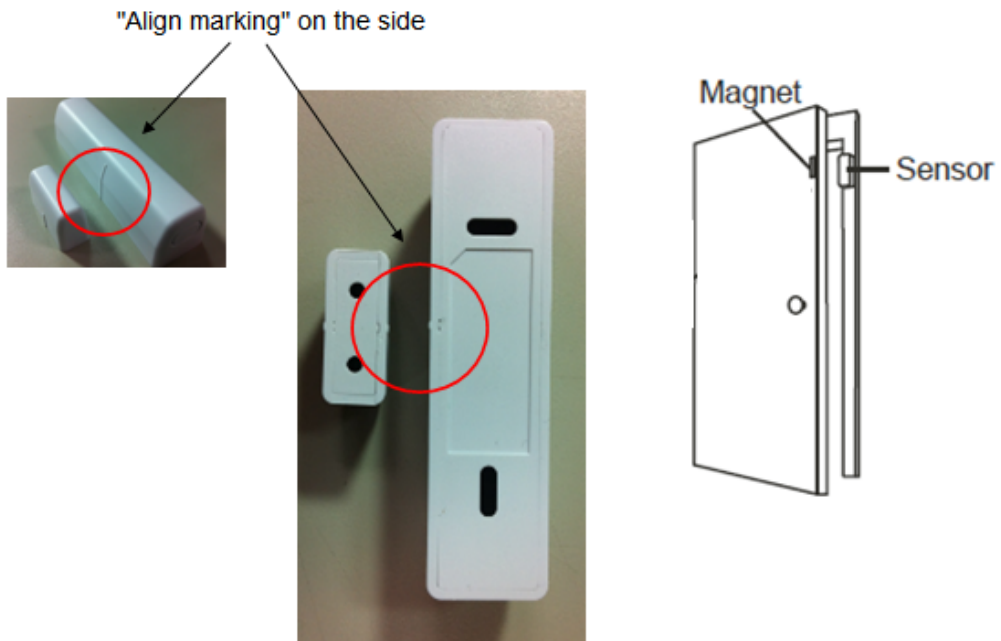
or

Adhesive tape

---

## Preparing the Sensor for Installation

The Sensor & Magnet contact can be mounted vertically or horizontally but note that the Magnet contact must be aligned (on the same side) as the alignment marks on the Sensor.



---

## Operation

1. Normal operation, the LED will not light.
2. The sensor equipped with tamper switch. If the cover of sensor is removed, the door sensor will send an alarm report to the ZigBee interface controller. Before replacing the cover, the sensor is under "Awake" mode
3. For "Join" a network : Put the ZigBee interface controller into "Join" mode, and following its instruction to add the sensor to controller.

**Join** : Press < 1 seconds and then start to "Join" processing

While "presee < 1 seconds" , the LED is static on

While running "joint" process, the LED is blinking

**Associate** : Duration Max >3 seconds for "Join" processing

If joint succesfully, the Green LED will be on 2 seconds and then  
off

If joint failed, the Green LED will be off directly.

**Leave** : Press 10 seconds and then run "Leave" processing

---

## Chapter 3

# REGULATORY APPROVAL



### FCC Statement

This equipment has been tested and found to comply with the limits for a Class B digital device, pursuant to part 15 of the FCC rules. These limits are designed to provide reasonable protection against harmful interference in a residential installation. This equipment generates, uses and can radiate radio frequency energy and, if not installed and used in accordance with the instructions, may cause harmful interference to radio communications. However, there is no guarantee that interference will not occur in a particular installation. If this equipment does cause harmful interference to radio or television reception, which can be determined by turning the equipment off and on, the user is encouraged to try to correct the interference by one or more of the following measures:

- Reorient or relocate the receiving antenna.
- Increase the separation between the equipment and receiver.
- Connect the equipment into an outlet on a circuit different from that to which the receiver is connected.
- Consult the dealer or an experienced radio/TV technician for help.

### FCC Radiation Exposure Statement

You are cautioned that changes or modifications not expressly approved by the party responsible for compliance could void your authority to operate the equipment.

This device complies with Part 15 of the FCC Rules. Operation is subject to the following two conditions: (1) this device may not cause harmful interference and (2) this device must accept any interference received, including interference that may cause undesired operation

---

## **CE Approval**

### **CE Standards**

This product complies with the 99/5/EEC directives, including the following safety and EMC standards:

- EN300328-2
- EN301489-1/-17
- EN60950

### **CE Marking Warning**

This is a Class B product. In a domestic environment this product may cause radio interference in which case the user may be required to take adequate measures.