

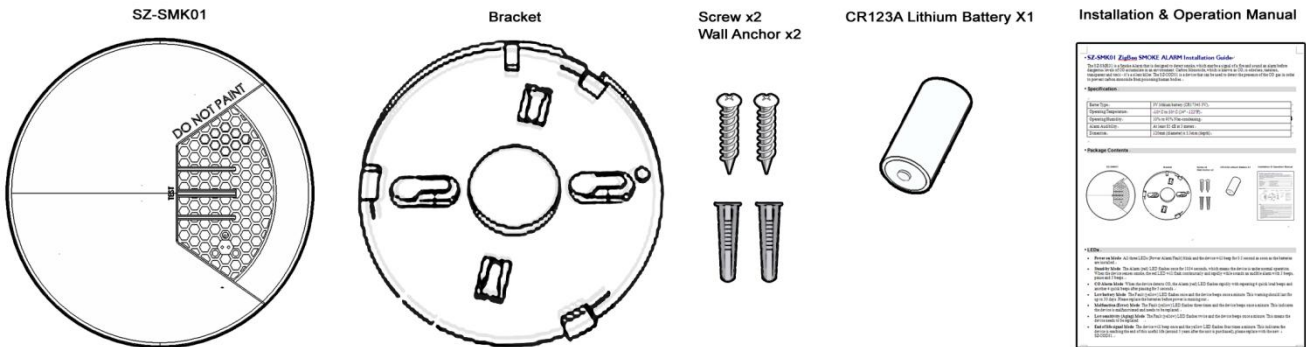
SZ-SMK02-US ZigBee SMOKE ALARM Installation Guide

The SZ-SMK02-US is a Smoke Alarm that is designed to detect smoke, which maybe a signal of a fire. This device can provide more time by making alarms for you and your family to escape before a fire spreads. SZ-SMK02-US built-in a ZigBee module to monitor battery status and will send message when battery capacity is low. Low battery message will be transmitted to a ZigBee HA 1.2.1 certified coordinator.

Specification

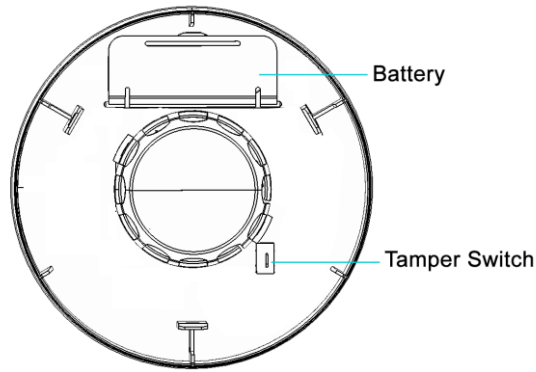
Batter Type	3V lithium battery (Duracell)DL123A (Panasonic)CR123A
Operating Temperature	0° C to 50° C (31° - 122°F)
Operating Humidity	10% to 85% Non-condensing
Alarm Audibility	At least 85 dB at 3 meters
Dimension	120mm (diameter) x 53mm (depth)

Package Contents



LEDs

- **Stand-by Mode:** The device is under normal operation if the red LED flashes once for 344 seconds. When the device senses smoke, the red LED will flash continuously and rapidly while sounds an audible alarm with 3 beeps, pause and 3 beeps.
- **Low Battery Mode:** The red LED flashes and the device begins to chirp once in 43 seconds. This warning should last for up to 30 days. Please replace the battery before power is running out to secure your protection.
- **Malfunction (Error) Mode:** The yellow LED flashes 3 times and the device generates 3 beeps within 43 seconds. This indicates the device is malfunctioned and needs to be repaired or serviced.
- **Tamper Mode:** When the device is removed from bracket, it will generate 3 beeps and the yellow LED is steadily on. The detector will also be alarmed if it is not mounted into the bracket properly within 5 minutes after the battery is installed.



Installation

Battery Installation/Replacement

1. Open the battery cover of the device.
2. Install the supplied battery correctly.
3. Close the battery cover.
4. Install the bracket.

Note: you will hear a chirp after install the bracket which indicates the device is receiving battery power.

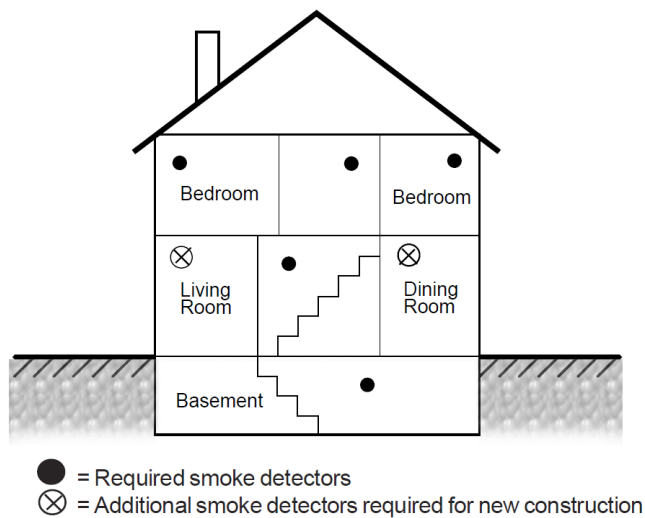
Recommended Battery Operation

- Please use a CR123A 3V battery. Use of a different battery may cause a detrimental effect on alarm operation.
- Low temperature will reduce the battery life. For example, if the ambient temperature is 0° C, SZ-SMK02-US may issue low battery alert in 6 months.
- To ensure the battery life is as expected, please replace the battery after SZ-SMK02-US is triggered by a fire event.

Locations to install your SZ-SMK02-US

Smoke alarms should be installed in accordance with the NFPA Standard 72 (National Fire Protection Association, Battery march Park, Quincy, MA 02169). For complete coverage, smoke alarms should be installed in all rooms, halls, storage areas, basements, and attics in each family. Minimum coverage is one device in each floor and another one in sleeping area.

- Install a smoke alarm in the hallway outside every bedroom area. For example, two alarms are required for homes with two bedroom areas.
- Install a smoke alarm on every floor of a multi-floor home or apartment.
- Install at least two alarms in a household.
- Install a smoke alarm inside every bedroom.
- Install smoke alarms at both ends of a bedroom hallway if the hallway is more than 40 feet (12 meters) long.
- Install a smoke alarm inside every room where a person sleeps with the door partly or completely closed, since smoke could be blocked by the closed door and a hallway alarm may not wake up the person if the door is closed.

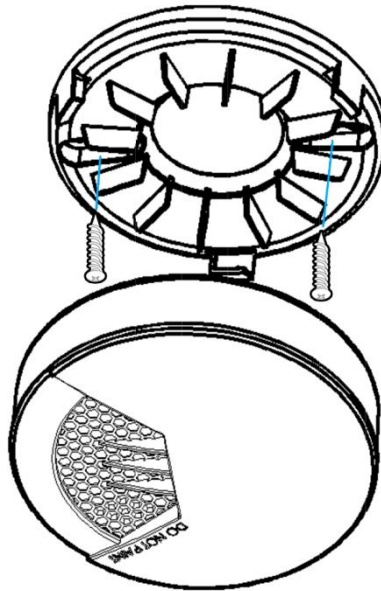


Do not place the device in the following areas:

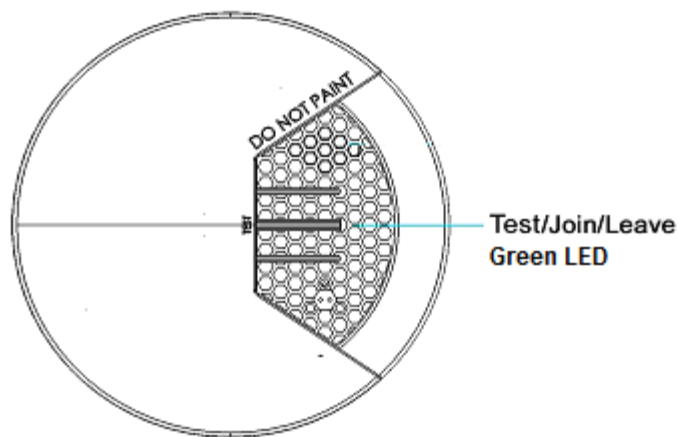
- Combustion particles are the by-products of something that is burning. Thus, in or near areas where combustion particles are present you do not install the smoke alarms to avoid nuisance alarms, such as kitchens with few windows or poor ventilation, garages where there may be vehicle exhaust, near furnaces, hot water heaters, and space heaters.
- Do not install smoke alarms less than 20 feet (6 meters) away from places where combustion particles are normally present, like kitchens. If a 20-foot distance is not possible, e.g. in a mobile home, try to install the alarm as far away from the combustion particles as possible, preferably on the wall. To prevent nuisance alarm alarms, provide good ventilation in such places. Within 5 feet (1.5 meter) of open flame appliances such as furnaces, stoves and fireplaces

Wall Mounting

1. Draw a six inches horizontal line at the place where you are going to install the device.
2. Rotate the mounting bracket counterclockwise to remove it from the device.
3. Draw 2 marks to locate the screws.
4. Drill two holes at the marks and insert screws and wall plugs.
5. Attach the bracket to the wall by using the supplied two screws and wall plugs.
6. Attach the device onto the mounting bracket and turn it clockwise to fix it into place. Make sure it is securely attached to the mounting bracket.



Adding/Leaving to a ZigBee Network



1. Join Function

For "Join" a network, please do the following instruction:

- Install the battery and the Join/Leave Green LED will start blinking every 5 seconds which indicates SZ-SMK02-US is ready to join a ZigBee network.
- The device will attempt to joining a ZigBee network for 20 times (total 100 seconds). If all attempts fail, SZ-SMK02-US will stop joining process, and need to press and release the tamper again to start joining process.

2. Leave Function

For "Leave" a network, please do the following instruction:

- Press the tamper while install the battery.
- Release the tamper within 4 seconds and the device will be reset to factory default.

3. Test/Silence Button

The **Test** button is used to test if the device is working properly and mute the SZ-SMK02-US during alarm.

- **Test**

Press the **Test** button for about 3 seconds until it alarms. The device will generate 3 beeps, pause and 3 beeps. While the Alarm (red) LED will flash continuously and rapidly.

- **Silence**

If the device is alarming, press the **Test** button will have it silenced. If the smoke still remains after 10 minutes, the device will alarm again.

ZigBee Coordinator

After join to a ZigBee network, SZ-SMK02-US will transmit a low battery signal to a ZigBee coordinator when SZ-SMK02-US detects battery capacity is low. This coordinator is used to receive low battery signal only and must be ZigBee HA 1.2.1 certified. It is also suggest to choose a UL listed coordinator in your deployment.

FCC Statement

This equipment has been tested and found to comply with the limits for a Class B digital device, pursuant to part 15 of the FCC Rules. These limits are designed to provide reasonable protection against harmful interference in a residential installation. This equipment generates, uses and can radiate radio frequency energy and, if not installed and used in accordance with the instructions, may cause harmful interference to radio communications. However, there is no guarantee that interference will not occur in a particular installation. If this equipment does cause harmful interference to radio or television reception, which can be determined by turning the equipment off and on, the user is encouraged to try to correct the interference by one or more of the following measures:

- Reorient or relocate the receiving antenna.
- Increase the separation between the equipment and receiver.
- Connect the equipment into an outlet on a circuit different from that to which the receiver is connected.
- Consult the dealer or an experienced radio/TV technician for help.

FCC Radiation Exposure Statement

This device complies with FCC radiation exposure limits set forth for an uncontrolled environment and it also complies with Part 15 of the FCC RF Rules. This equipment must be installed and operated in accordance with provided instructions and the antenna(s) used for this transmitter must be installed to provide a separation distance of at least 20 cm from all persons and must not be co-located or operating in conjunction with any other antenna or transmitter. End-users and installers must be provide with antenna installation instructions and consider removing the no-collocation statement.

This device complies with Part 15 of the FCC Rules. Operation is subject to the following two conditions: (1) this device may not cause harmful interference, and (2) this device must accept any interference received, including interference that may cause undesired operation.

Caution!

Any changes or modifications not expressly approved by the party responsible for compliance could void the user's authority to operate the equipment.