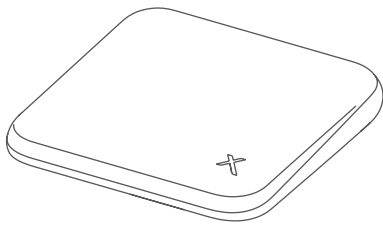
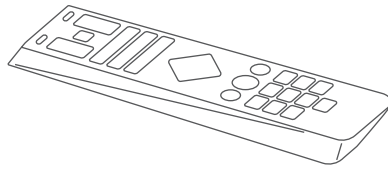


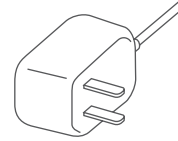
Get started



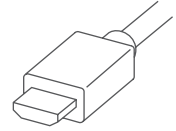
Wireless TV Box



Voice Remote
2 AA batteries installed



Power adapter



HDMI cable

- 1 Before you begin, be sure your **Wireless Gateway** is powered on and activated and within range of your Streaming TV Box.

You can also use an Ethernet cable (not included) to set up a wired connection instead. Please remove the protective clear film from your devices.

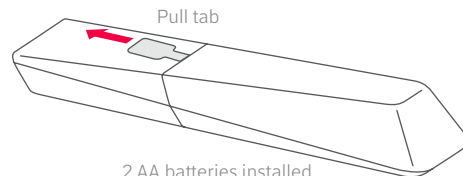
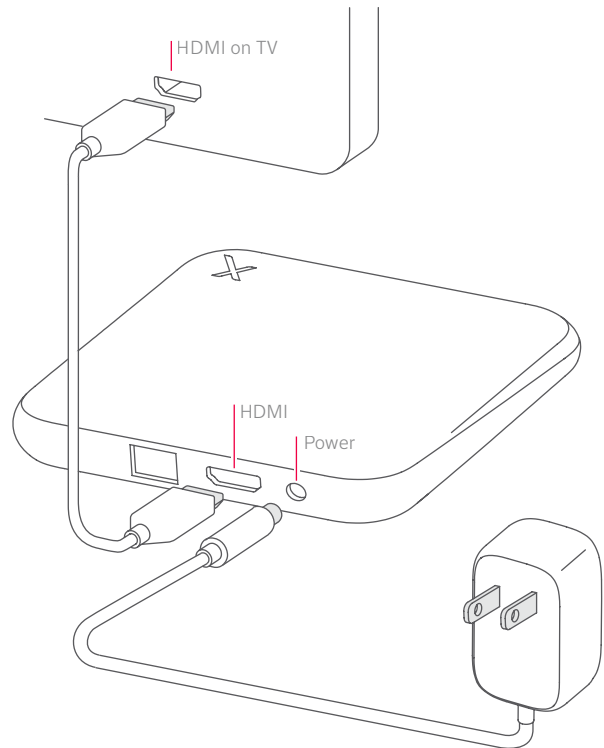
If you have a **Primary TV Box**, be sure that's also powered on and activated.

- 2 Secure the HDMI cable between your TV and the Wireless TV Box. Turn on your TV and select the **HDMI Input**.

- 3 Plug the **power adapter** into an electrical outlet and connect the other end to the **Power** port on the Box.

Once the power indicator lights up, you're ready to go. Only use the supplied power adapter. Avoid outlets controlled by dimmers.

- 4 Remove the **tab** from the back of the remote, **aim** it toward the Box and wait for **onscreen** instructions.



The billing for your new Xfinity service(s) will begin within 5 days from the date your order for service(s) is placed.

xfinity

Federal Communication Commission Interference Statement

This device complies with Part 15 of the FCC Rules. Operation is subject to the following two conditions: (1) This device may not cause harmful interference, and (2) this device must accept any interference received, including interference that may cause undesired operation.

This equipment has been tested and found to comply with the limits for a Class B digital device, pursuant to Part 15 of the FCC Rules. These limits are designed to provide reasonable protection against harmful interference in a residential installation. This equipment generates, uses and can radiate radio frequency energy and, if not installed and used in accordance with the instructions, may cause harmful interference to radio communications. However, there is no guarantee that interference will not occur in a particular installation. If this equipment does cause harmful interference to radio or television reception, which can be determined by turning the equipment off and on, the user is encouraged to try to correct the interference by one of the following measures:

- Reorient or relocate the receiving antenna.
- Increase the separation between the equipment and receiver.
- Connect the equipment into an outlet on a circuit different from that to which the receiver is connected.
- Consult the dealer or an experienced radio/TV technician for help.

FCC Caution: Any changes or modifications not expressly approved by the party responsible for compliance could void the user's authority to operate this equipment.

This transmitter must not be co-located or operating in conjunction with any other antenna or transmitter.

This device meets all the other requirements specified in Part 15E, Section 15.407 of the FCC Rules.

Radiation Exposure Statement:

This equipment complies with FCC radiation exposure limits set forth for an uncontrolled environment. This equipment should be installed and operated with minimum distance 20cm between the radiator & your body.

Note: The country code selection is for non-US model only and is not available to all US model. Per FCC regulation, all WiFi product marketed in US must fixed to US operation channels only.