

Thank you for purchasing a Shakespeare antenna product. Customer comments are welcome. Before installing, please study the diagram and check parts supplied against those listed.

IMPORTANT! Please read all instructions before installing.

The Style 484 Wall Mounting Bracket is a simple device for mounting antennas and masts to a vertical or horizontal surface.

Tools required: Drill, drill bit, pliers or wrench, screwdriver

Other materials required: Stainless steel mounting hardware that is appropriate to the mounting surface

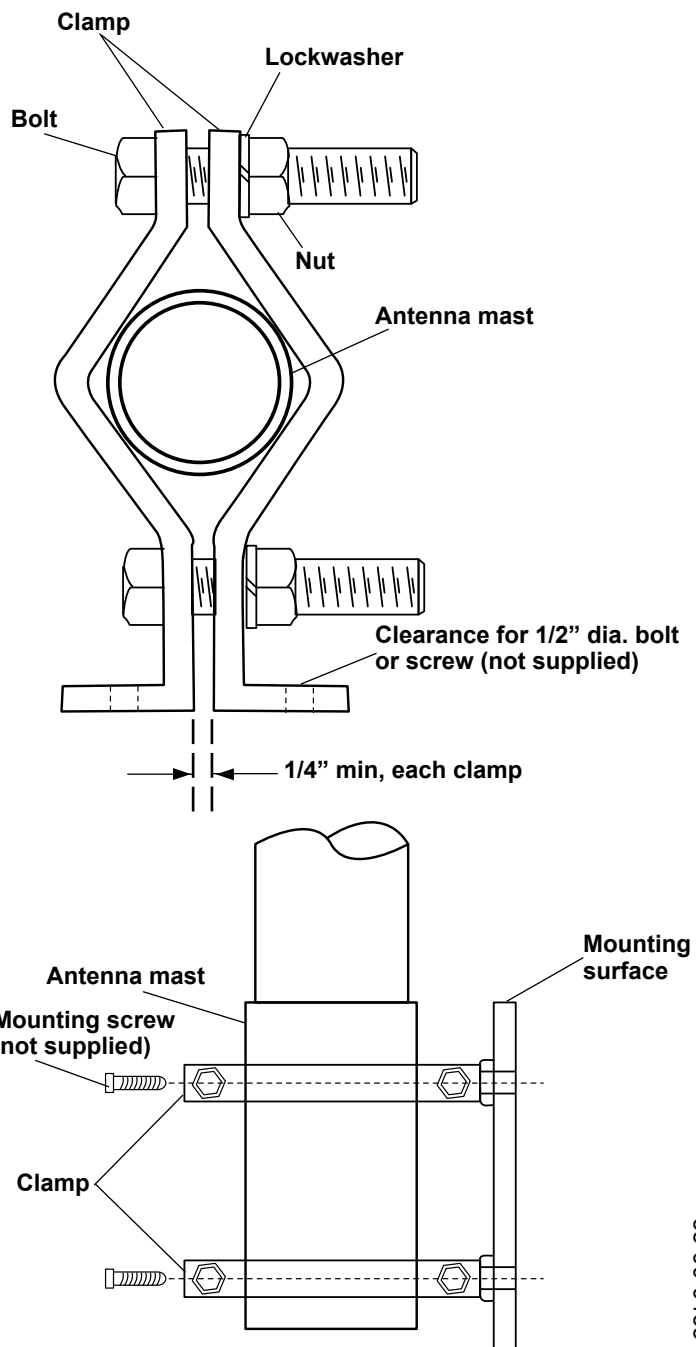
Supplied Parts

- 4 Clamp halves
- 4 Bolts
- 4 Nuts
- 4 Lockwashers

Installation Instructions

Choose a mounting location that is as high as possible, as free as possible of obstructions, and as far as possible from other antennas.

1. Assemble the four clamp halves to the antenna's mounting sleeve, or to the mast you are mounting. Position one clamp at the bottom of the mounting sleeve and the other clamp at the top of the sleeve. The clamps should be at least one foot apart.
 2. Hold the antenna against the mounting surface and mark the location of the mounting holes, using the clamps as a template.
 3. Drill holes according to the size of the mounting screws or bolts (not supplied) to be used. Be sure to use only stainless steel hardware. When drilling fiberglass, use wood boring bits, not metal drilling bits, and use a backup wooden block underneath the surface to reduce push-through damage.
 4. Disassemble the clamps from the antenna and securely fasten the clamp halves to the mounting surface.
- Important:** If the thickness of the mounting surface is not adequate to support the strain, use a wooden or metal backup pad (not supplied) underneath the surface during installation.
5. Reposition the antenna mounting sleeve in the clamps and tighten securely. The clamp halves must remain a minimum of 1/4" apart when the installation is complete.



Shakespeare Electronic Products Group

U.S. Operations: 6111 Shakespeare Rd. · Columbia, SC 29223 · 803-227-1590 · Fax: 803-419-3099 · www.shakespeare-marine.com
 U.K. Operations: Enterprise Way, Fleetwood, Lancashire, FY7 8RY, England · +44 (0) 1253 858787 · Fax: +44 (0) 1253-859595 · www.vtronix-antennas.com