

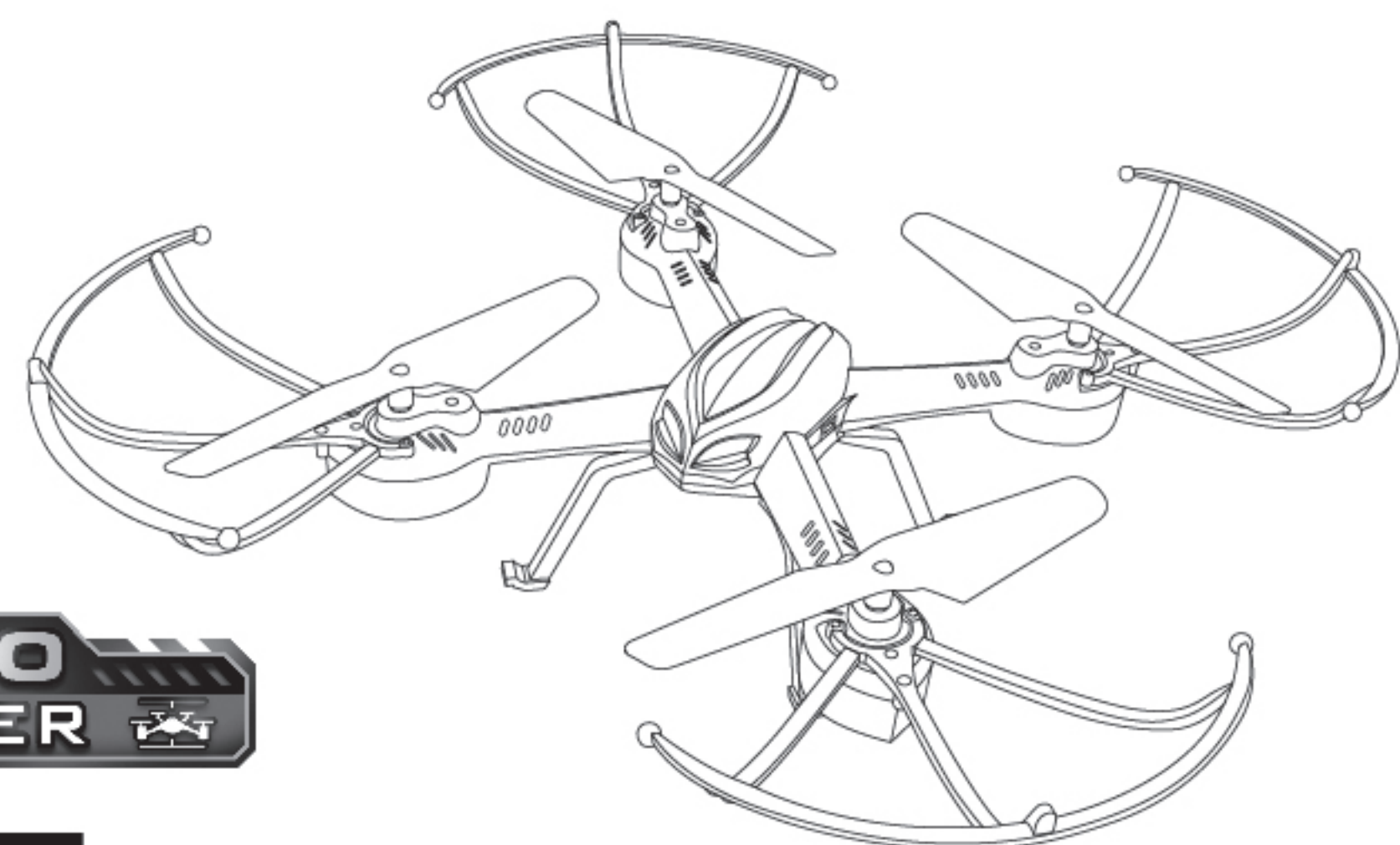
Camera

FCC ID: 2AALA1325S

Model Name: 1325S, 1332S,1325,1325W,1325C,1306,1307,1310,1336,1336C,
1319,1319C,1331A,1331C,1331S,1331W,1332A,1332C,1332S,1332W,1332V,
1332HD,1335A,1335C,1335S,1335W,1327A,1327C,1327S,1327W,1333,1333C,
1333W,1334A,1334C,1334S,1334W,1337,1338,1338C,1338W,1314,1339A,1339C,
1339S,1339W,1340A,1340C,1340S,1340W,1341A,1341C,1341S,1341W,1342A,
1342C,1342S,1342W,1343A,1343C,1343S,1343W,1344A,1344C,1344S,1344W,
1345A,1345C,1345S,1345W,1346A,1346C,1346S,1346W,1347A,1347C,1347S,
1347W,1348A,1348C,1348S,1348W,ODY-2016BF1,ODY-2016BFG,
ODY-1508-Wi-Fi/VR,ODY-1811WIFI/VR,ODY-1811WIFI,ODY-1811FPV,
ODY-1940WIFI,ODY-1940-WIFI/VR,ODY-1720NX,ODY-1810-WIFI,
ODY-1716NX, ODY-1800/WIFI,ODY-1810-FPV,ODY-1012BR,
ODY-1012YG,ODY-2016BFO,ODY-1508WIFI,ODY-2016BF2

Camera add-on to Quadcopter

SKY PHANTOM



AUTO HOVER

WARNING

Suitable for Children 14+. Adult supervision is always recommended.
 *This product contains small parts which are a choking hazard. Keep away from small children.
 *Keep Quadcopter at least 10 feet away during use.
 *Correctly install the Quadcopter and fly it under the guidelines of the instruction manual, small parts should be assembled by an adult.
 *Manufacturers and dealers disclaim all responsibility for damage caused by misuse.
 *Keep hands, hair, and loose clothing away from rotors when powered on to prevent damage to the helicopter or serious injury to self.
 *This Quadcopter should not be flown IN HIGH WINDS(5+Mph) or near a pool.
 *Never leave a charging battery unattended.
 *When cleaning it, ensure that the Quadcopter is disconnected from the charger.
 *To prevent injury, do not point the antenna directly to faces, eyes, or other people.

NOTE ON THE BATTERY

This product is furnished with a battery pack, please pay attention to the following safety instructions:
 ① Only use the charger provided by the factory for charging.
 ② When charging the battery: If the battery is too hot, it means the battery is overcharged. In such case, users should stop charging the battery immediately. Overcharging could damage the battery eternally.
 ③ After flying the Quadcopter, the battery temperature may be relatively high. Users are advised to wait about 10 minutes until the battery has cooled before recharging.
 ④ Turn off the Quadcopter whenever it is not in use. If you don't plan on flying the Quadcopter for along time, charge the battery for about 1 hour before storing it.

Caution: Risk of explosion if battery is replaced by an incorrect type.
 Dispose of used batteries according to the local laws in your state

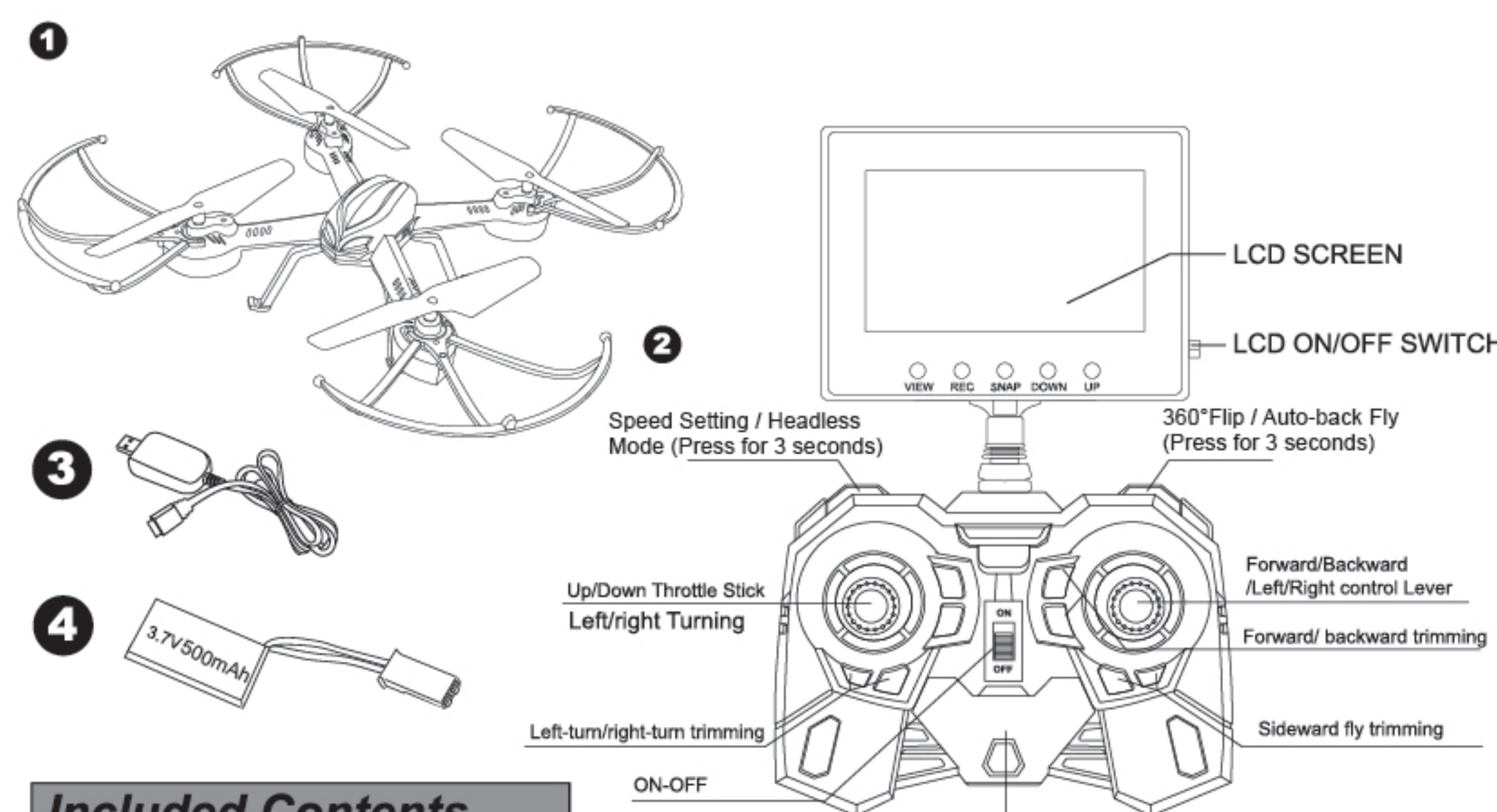
-1-

NEVER LEAVE IT UNATTENDED WHILE CHARGING THIS CAN BE A FIRE HAZARD. WE ARE NOT RESPONSIBLE FOR MISUSE.

Batteries:

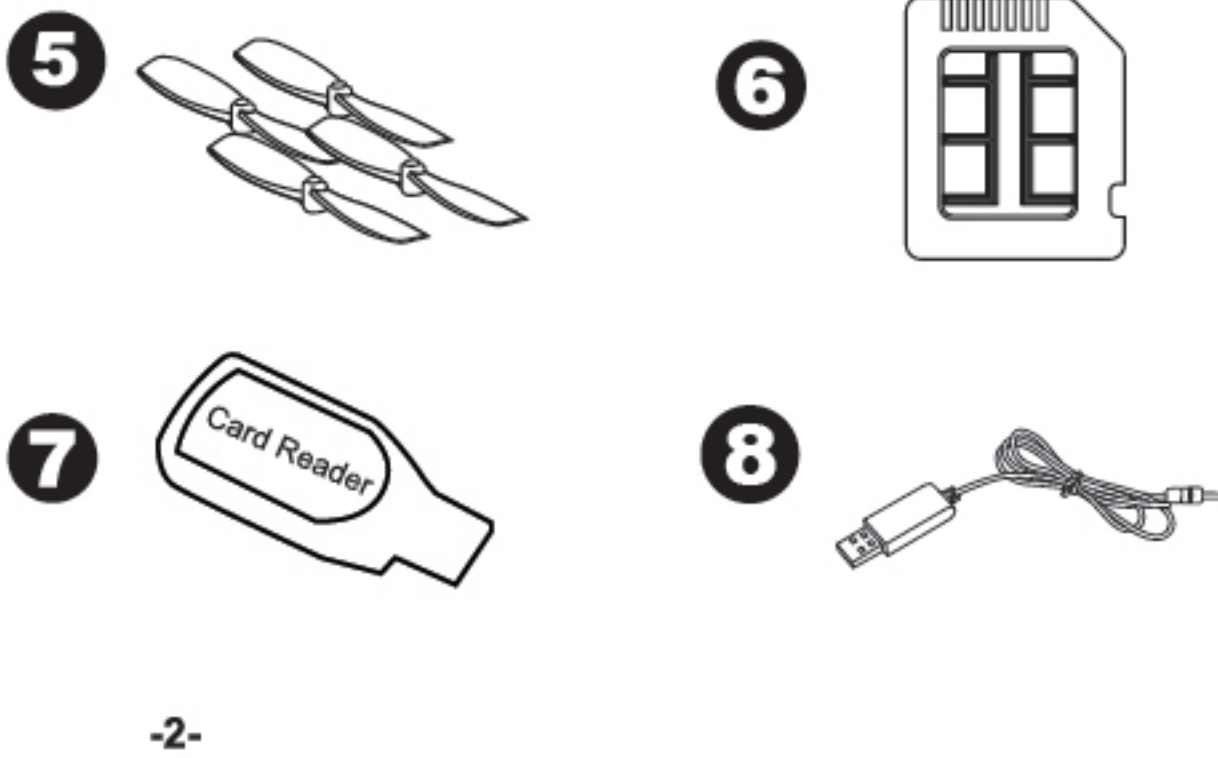
- *Use "AA" non-rechargeable battery or "AA" rechargeable battery.
- *Only use batteries of the same or equivalent type as recommended
- *Batteries are to be inserted with correct polarity.
- *Do not short cut the supply terminals.
- *Lithium-ion battery could be flammable if misused.
- *Do not mix old and new batteries.
- *Do not mix alkaline batteries, standard (carbon-zinc), or rechargeable (Nickel-Cadmium) batteries.
- *Remove exhausted batteries.
- *Take out the batteries when not in use.
- *Rechargeable batteries are to be removed from the toy before being charged.
- *If you do not fly the Quadcopter for a long time, take out the batteries inside the controller to avoid battery leakage which would damage the product.
- *Photos are for reference only; the appearance of the actual product is based on what it is.
- *When the controller/helicopter is underpowered, the control distance will be shortened. This will also result in difficulty of taking off and low flight altitude.
- *Do not crash or allow helicopter to fall from high altitude. Helicopter will break and service life may be reduced

Please retain this information for future reference



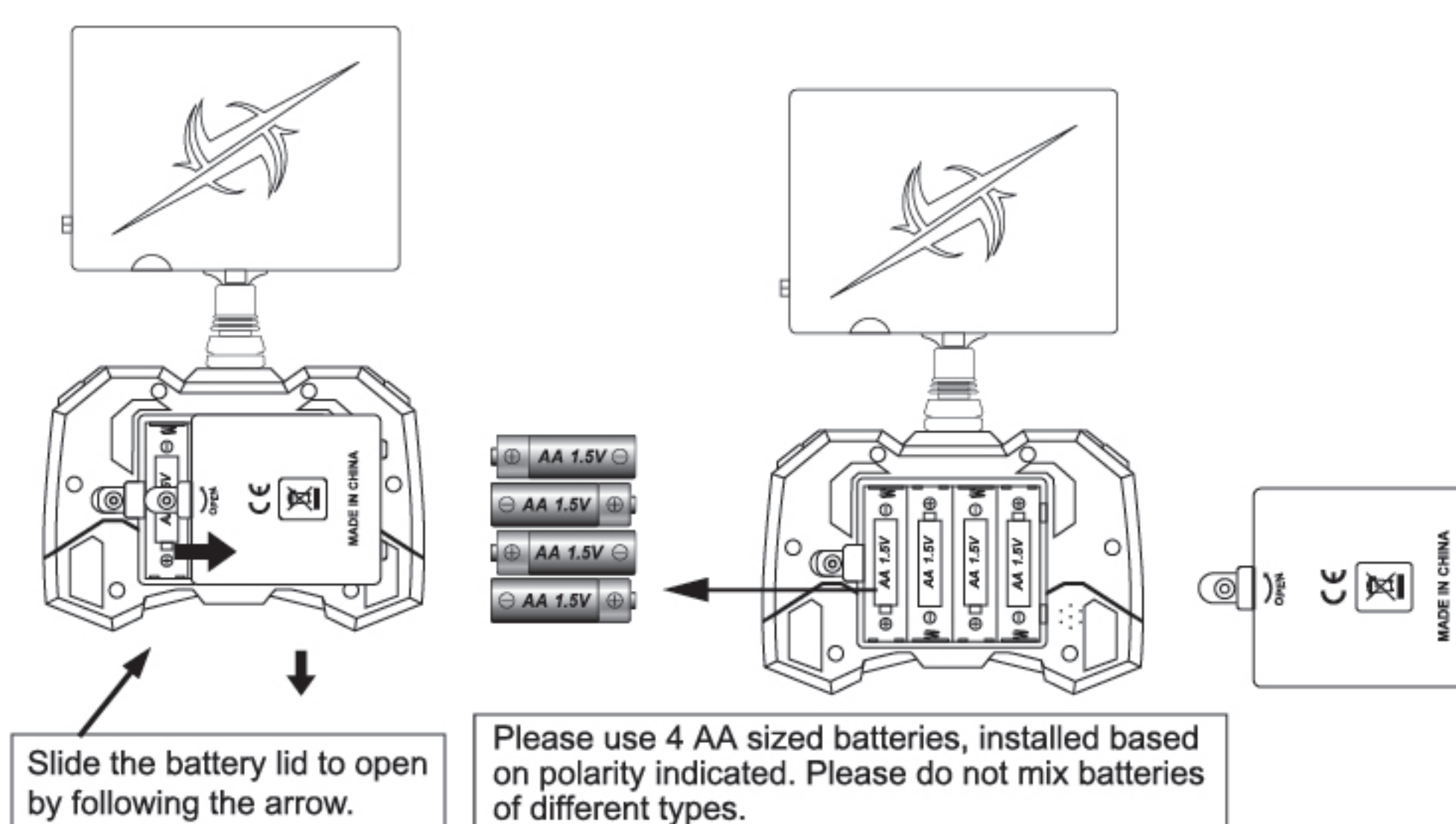
Included Contents

1	SKY PHANTOM
2	2.4GHZ Remote Transmitter
3	USB Cable for Battery Charging
4	3.7V Lithium Battery
5	Extra Rotor Blades
6	Micro SD Card
7	Card Reader
8	USB Cable for LCD Screen



-2-

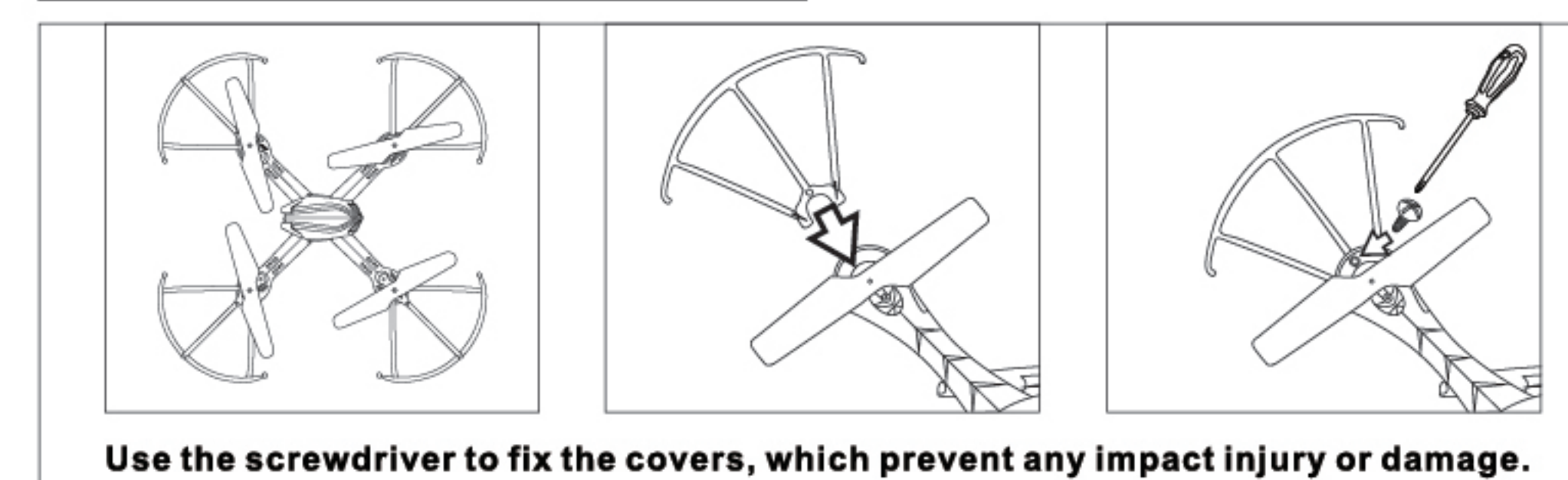
TRANSMITTER BATTERY INSTALLATION



CAUTION If transmitter is not to be used for a long duration, please remove batteries for storage.

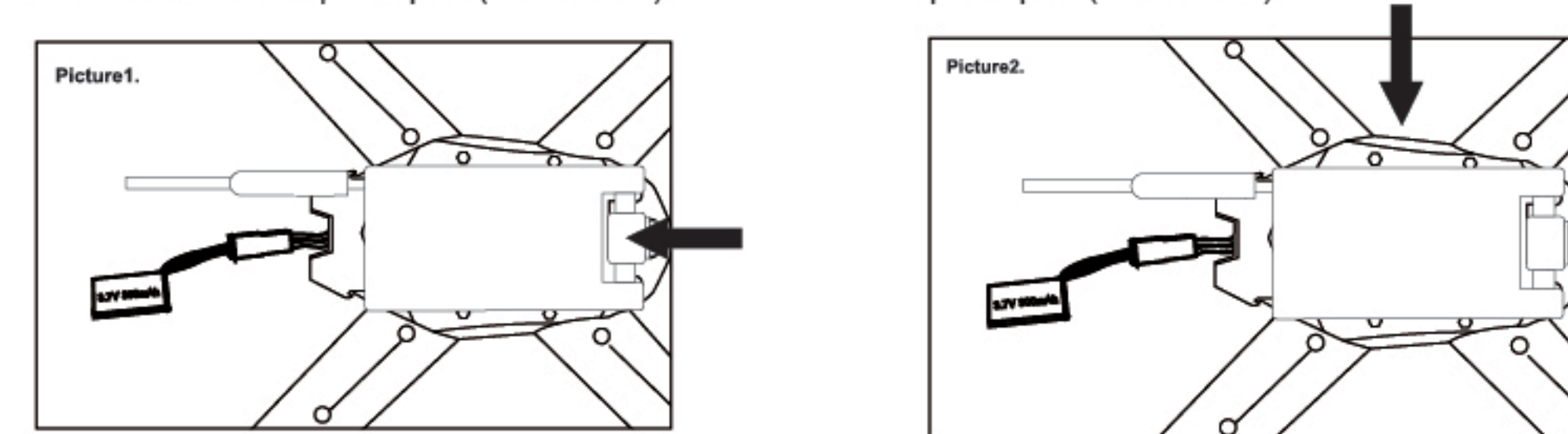
WARNING: Warning: if the AA batteries are left in the transmitter, potential leakage could occur which may damage the transmitter, and create fire hazards.

THE PROTECTIVE COVERS FIXING



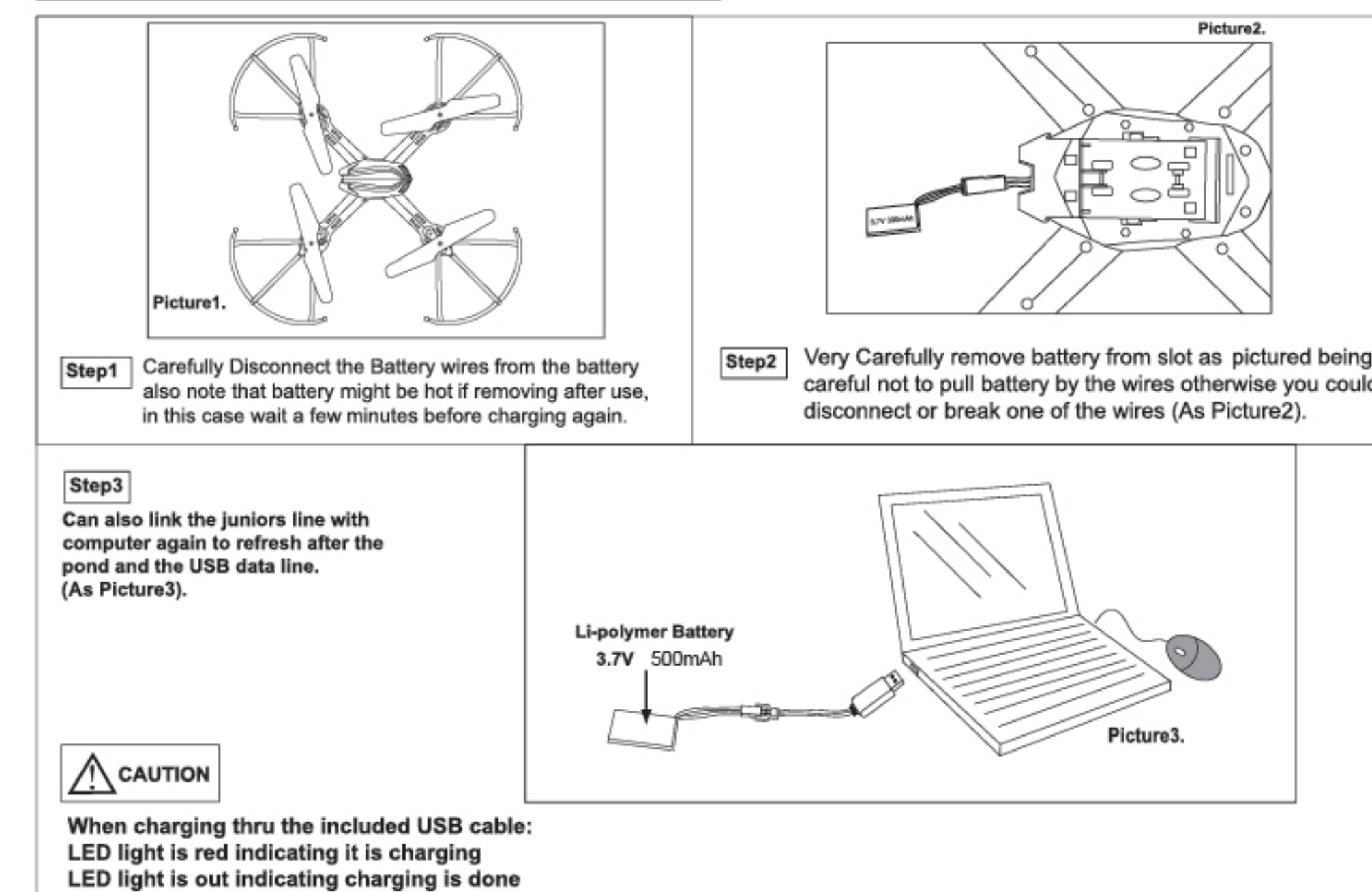
Use the screwdriver to fix the covers, which prevent any impact injury or damage.

Step 1: Insert the camera into the fixture on the bottom of the bottom of the quadcopter. (As Picture 1)



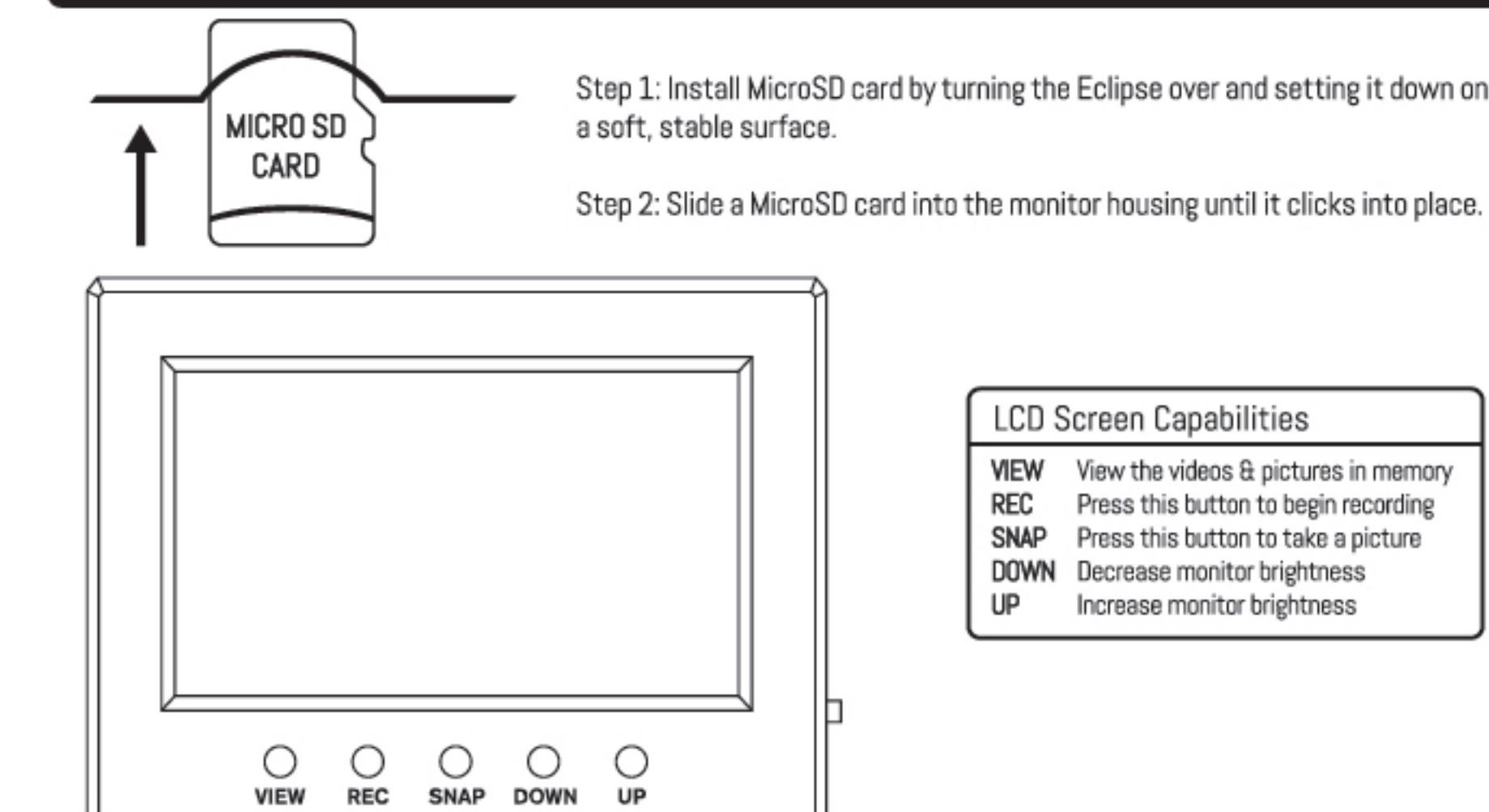
-3-

THE PRODUCT BATTERY REFRESH



CAUTION When charging thru the included USB cable: LED light is red indicating it is charging LED light is out indicating charging is done

USING THE ONBOARD CAMERA & LCD MONITOR • USE THE MONITOR FOR RECORDING VIDEO & TAKING PICTURES

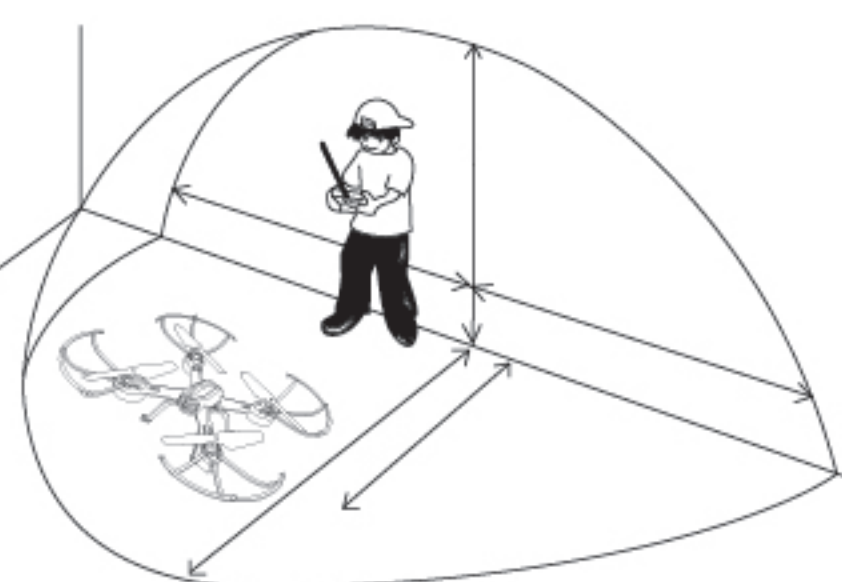


Step 3: While powered on and in flight, use the Photo or Video button to take pictures or create thrilling aerial footage.
 Press REC to begin recording and REC again to stop recording. Note: You must have an SD card installed in order to record.
 Press SNAP to take a photo. The Eclipse onboard camera requires a couple of seconds between photos.
Optimal Video Performance
 The built-in camera will provide live video up to a range of 164 feet (50 meters).

-4-

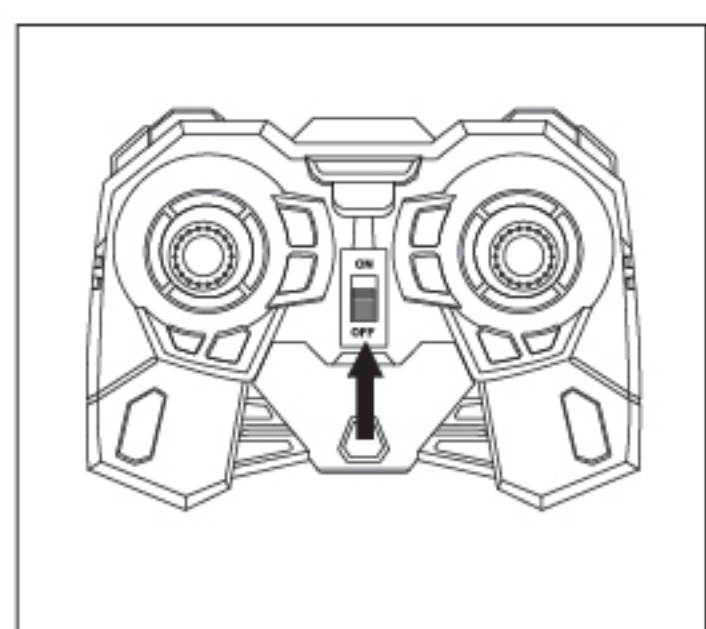
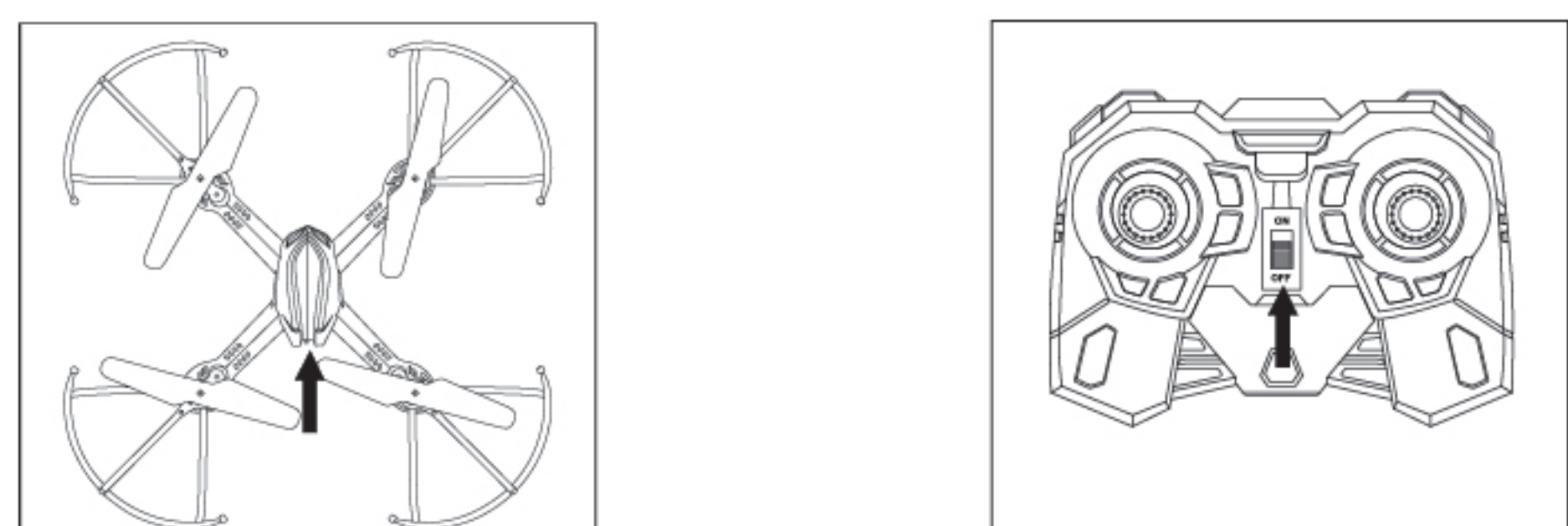
ENVIRONMENT FOR FLIGHT

1. Always fly on a sunny, bright day with as little wind as possible. Flying in extreme heat or cold can adversely affect your flying control and response of the drone.
2. After connecting the battery, lay the SKY PHANTOM on the ground. Please wait for approximately 5-7 seconds to allow the digital gyro to electronically stabilize. Push the throttle up and then back down to pair the radio control transmitter to the SKY PHANTOM. The lights will stop blinking and now you are all set to fly.

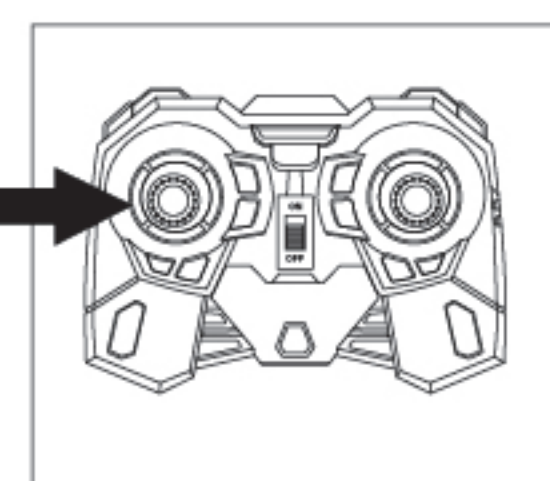


CONNECT THE QUADCOPTER & START TO FLY

Step 1. Turn on the switch of the quadcopter, the LED lights start to blink.
 Step 2. Turn on the remote transmitter, the power light is on.



Step 3. Pull the throttle stick (left stick) up to the top then pull it down to the bottom, the remote transmitter begins to search and connect with the quadcopter, the power light on transmitter blinks fast. Connection is completed once the power light and the LEDs on the quadcopter stop blinking. It's ready to fly.

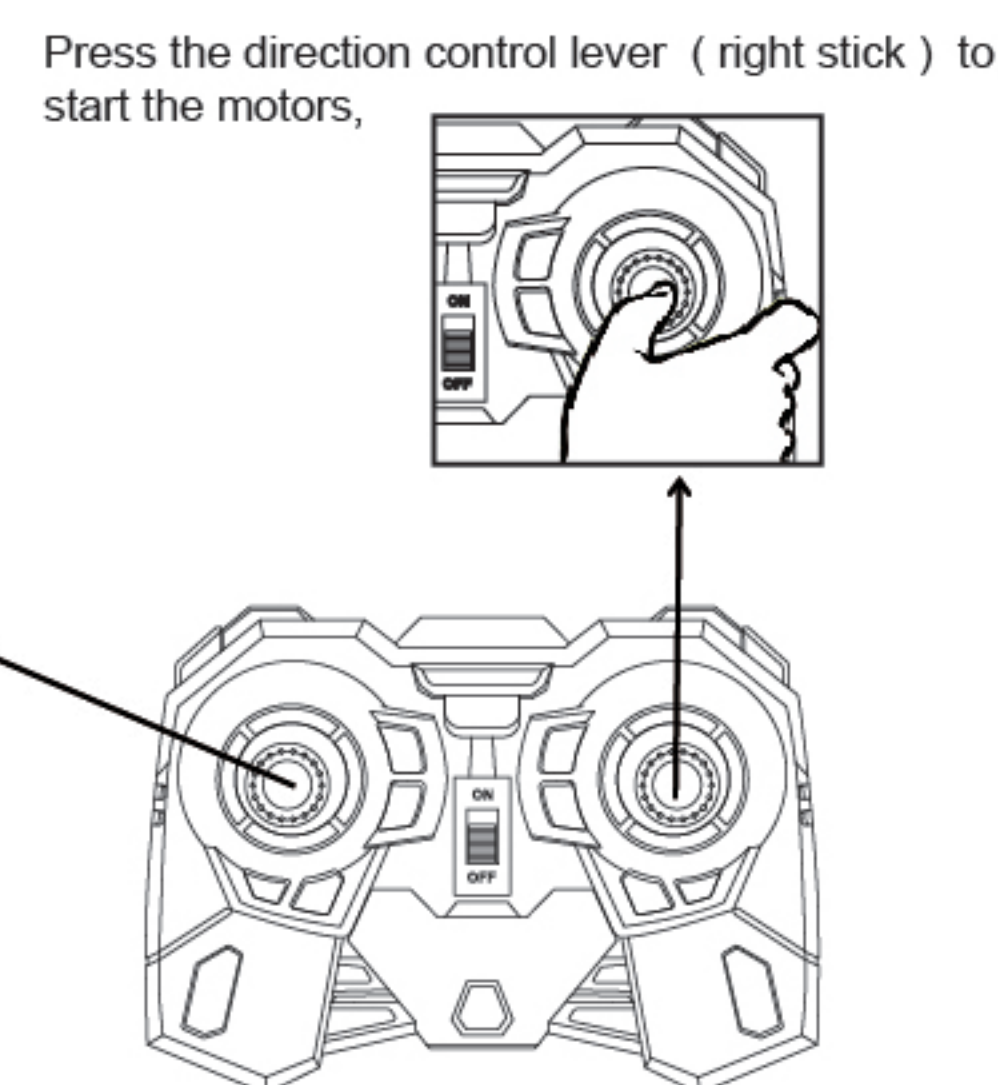


AUTO HOVER ALTITUDE MODE:

Pull the throttle stick (left stick) upwards in order to make the quadcopter fly higher in altitude. Pull the throttle stick (left stick) downwards in order to make the quadcopter fly lower in altitude.

Once start the motors, Pull the throttle stick (left stick) upwards or downwards to the proper altitude, Release the throttle stick, the quadcopter will be hovering in the altitude.

HOW TO STOP FLYING:
 Pull the throttle stick (left stick) downwards to the proper altitude, Press the direction control lever (right stick) to stop the motors, the quadcopter stop flying.



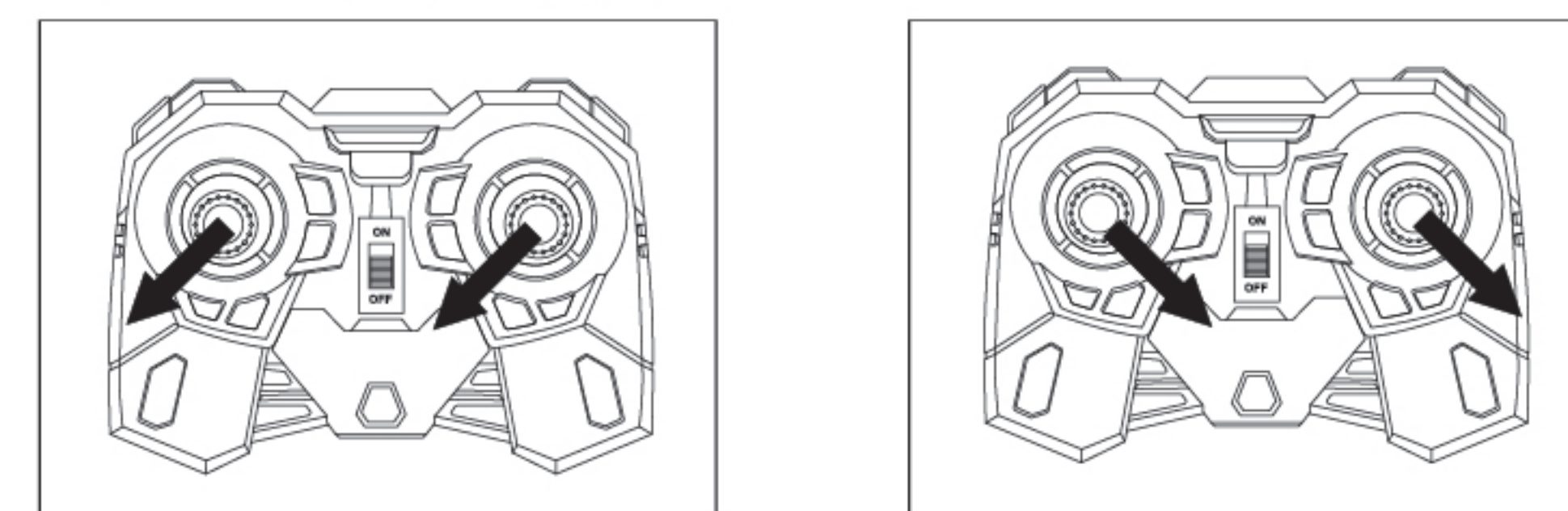
-5-

CONTROL METHOD

Ascend	Take the left throttle stick and gradually raise it in the upward direction to desired altitude.	
Descend	Take the left throttle stick and lower it in the downward direction to decrease altitude and stop propellers from moving.	
Fly Direction	Fly forward: Push the right throttle stick forward Fly backward: Pull the right throttle stick backward Fly leftwards: Push the right throttle stick towards left Fly rightwards: Push the right throttle stick towards right	
Turn Left / Right	Turn left: Push the left throttle stick towards left Turn right: Push the left throttle stick towards right	

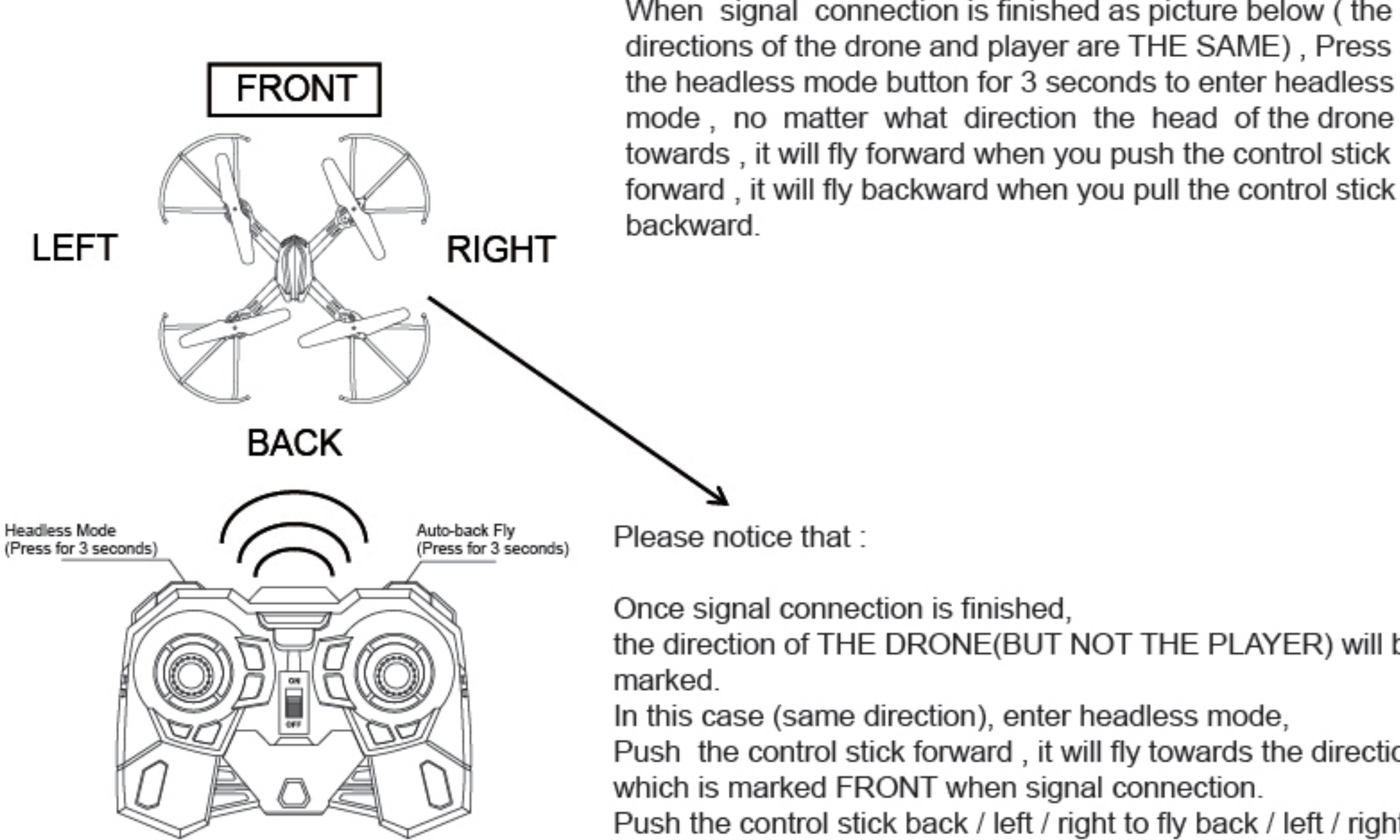
HOW TO TRIM THE QUADCOPTER FOR BETTER FLYING

When the quadcopter leans towards one side, you need to trim it as follow
 Put the quadcopter on the FLAT ground, then connect the quadcopter with remote transmitter, Push the left stick and right stick both towards left 45° corner for 3 seconds until the LED lights blink and permanently light up.
 Push the left stick and right stick both towards right 45° corner for 3 seconds until the LED lights blink and permanently light up.
 Trim operation is completed, the flying experience will be better.

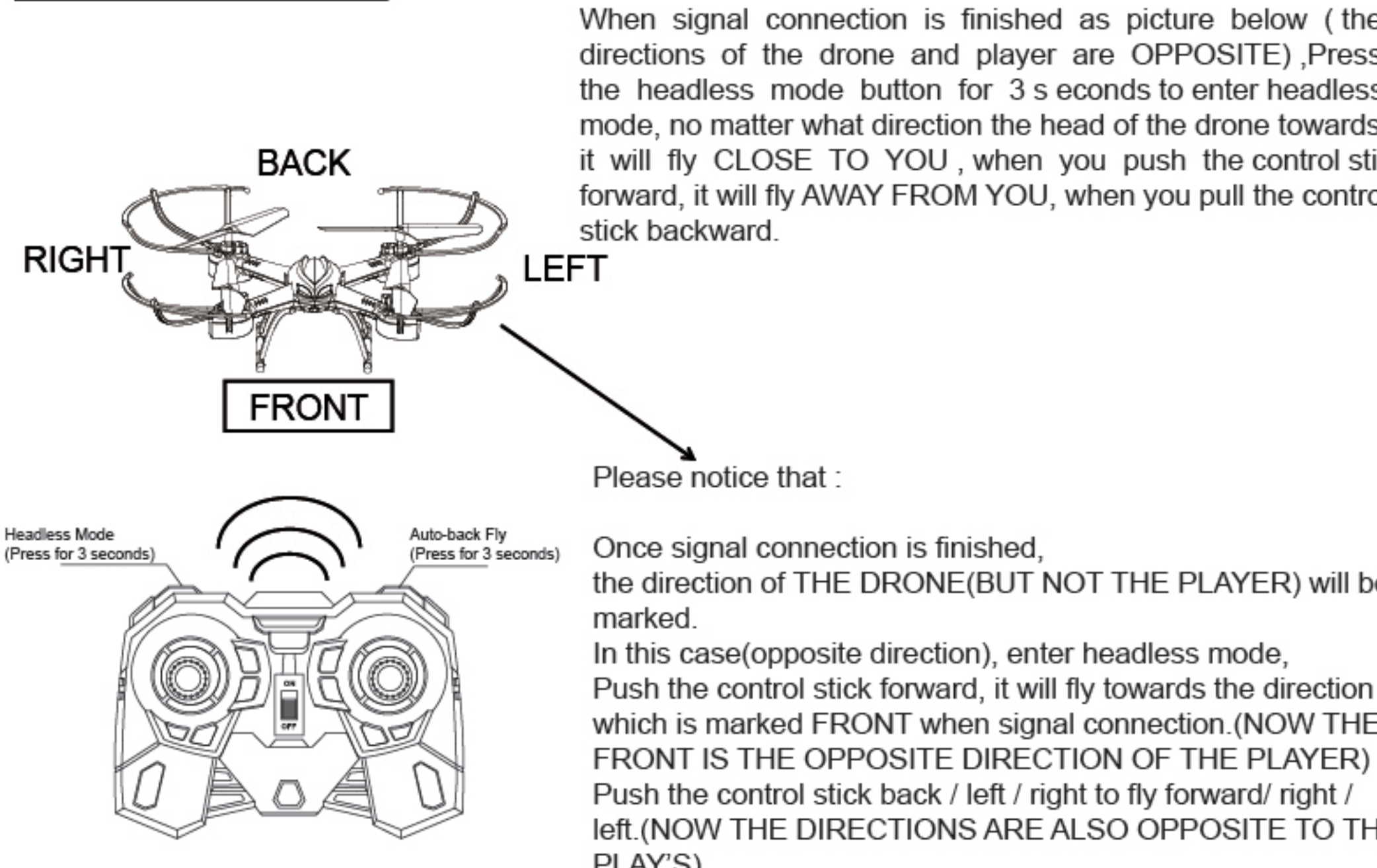


-6-

HEADLESS MODE

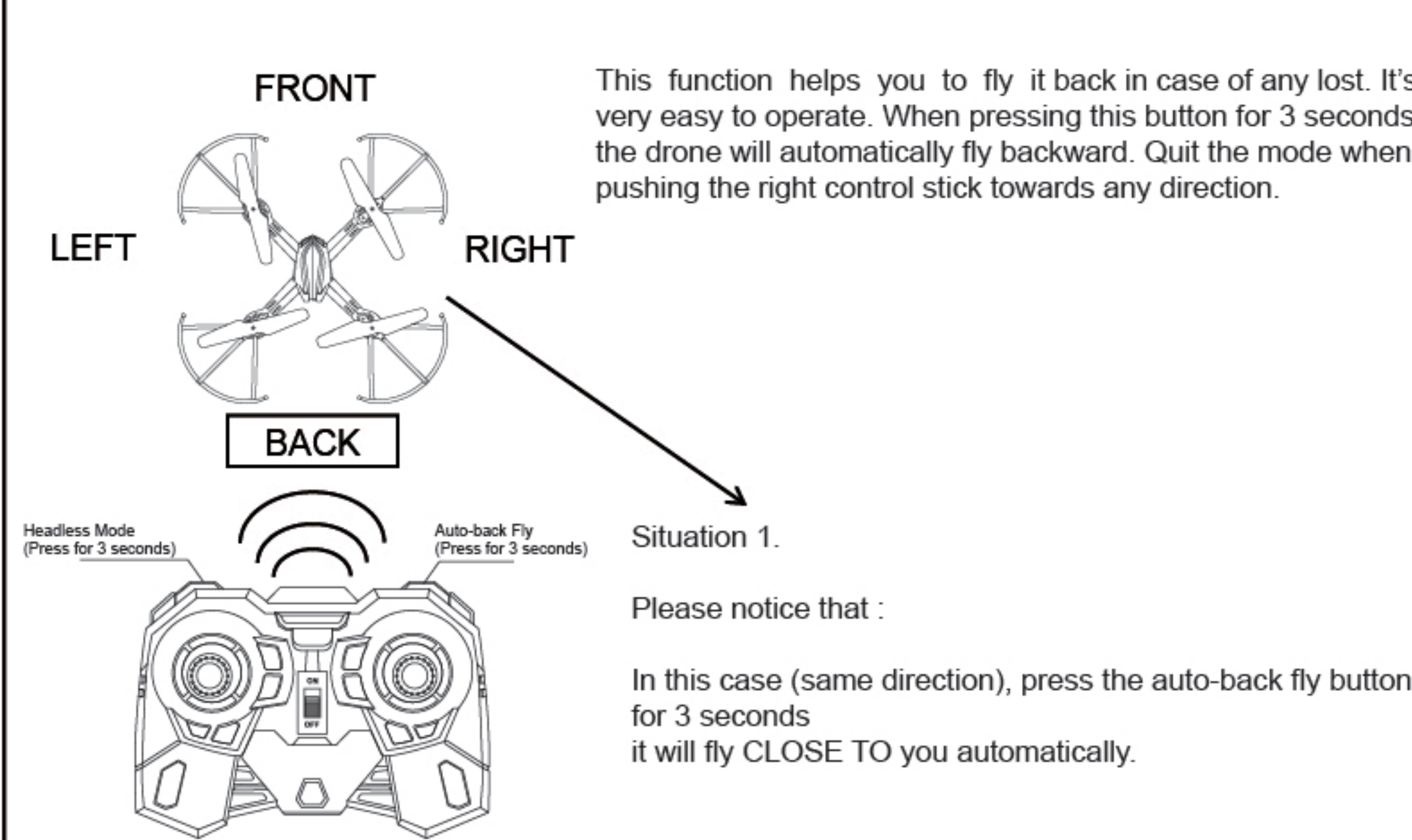


HEADLESS MODE

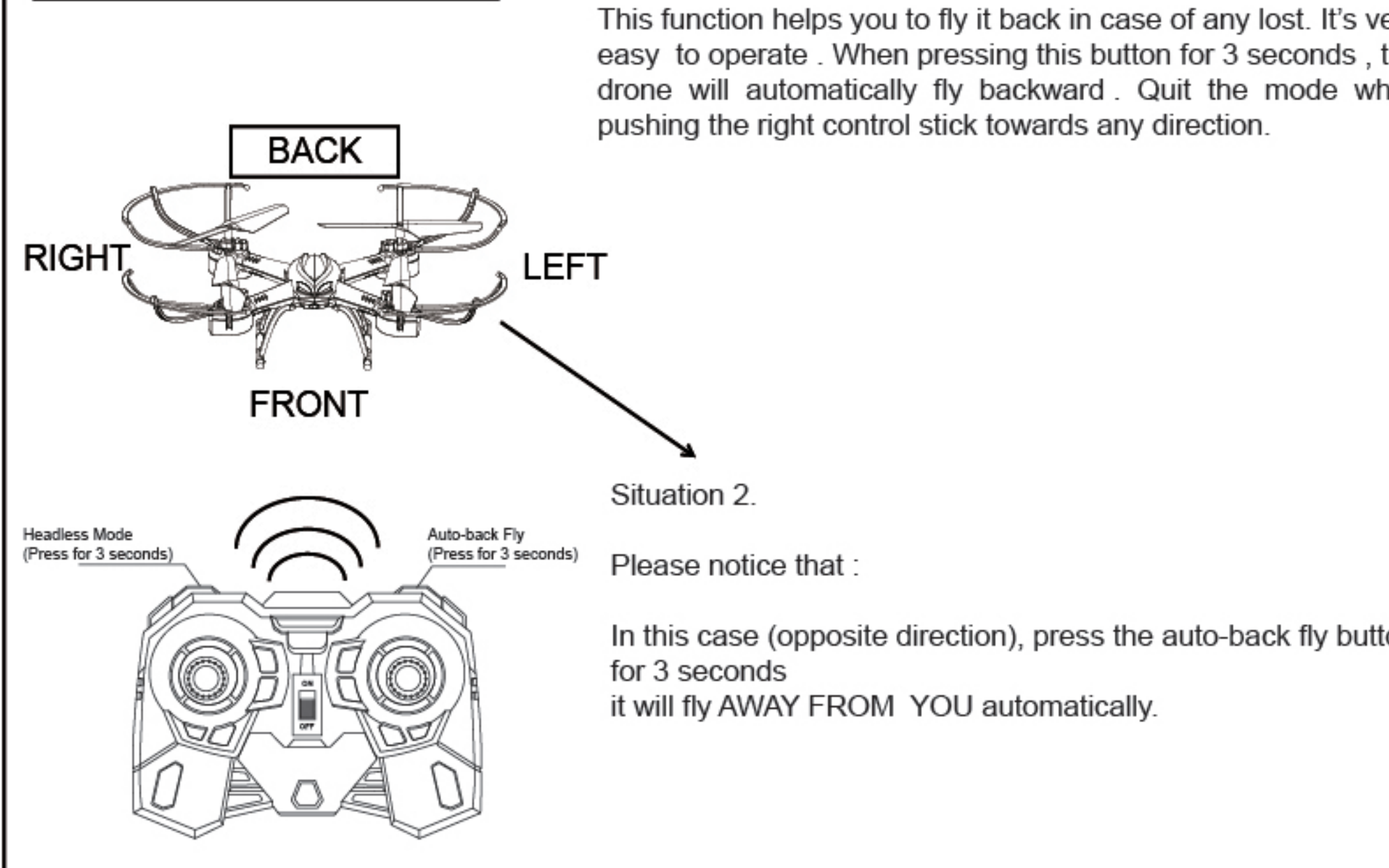


-7-

AUTO-BACK FLY MODE



AUTO-BACK FLY MODE



-8-

FCC statement

This device complies with Part 15 of the FCC Rules: Operation is subject to the following two conditions:

1. This device may not cause harmful interference and
2. This device must accept any interference that is received, including any interference that may cause undesired operation.

*RF warning for Portable device: The device has been evaluated to meet general RF exposure requirement. The device can be used in portable exposure condition without restriction.

This device is acting as slave and operating in the 2.411 GHz (2412 ~2476 MHz) band.

Ad Hoc function is supported but not able to operate on non-US frequencies. Do not use the device with the environment which below minimum -10 °C or maximum over 50°C .

NOTE: This equipment has been tested and found to comply with the limits for a Class B digital device, pursuant to part 15 of the FCC Rules. These limits are designed to provide reasonable protection against harmful interference in a residential installation. This equipment generates uses and can radiate radio frequency energy and, if not installed and used in accordance with the instructions, may cause harmful interference to radio communications. However, there is no guarantee that interference will not occur in a particular installation. If this equipment does cause harmful interference to radio or television reception, which can be determined by turning the equipment off and on, the user is encouraged to try to correct the interference by one or more of the following measures:

- Reorient or relocate the receiving antenna.
- Increase the separation between the equipment and receiver.
- Connect the equipment into an outlet on a circuit different from that to which the receiver is connected.
- Consult the dealer or an experienced radio/TV technician for help

Changes or modifications to this unit not expressly approved by the party responsible for compliance could void the user's authority to operate the equipment.