

FOLDABLE POCKET DRONE

14+

Getting to Know Your Drone

PLEASE READ ALL WARNINGS AND INSTRUCTIONS PRIOR TO USE. KEEP THIS DOCUMENT AS IT CONTAINS IMPORTANT INFORMATION ABOUT YOUR DRONE.



STOP DO NOT RETURN TO STORE

**Questions? Concerns?
We're available to help!**

Instructional videos, troubleshooting, and support are available at:

www.dxdronecenter.com

Or call:

(800) 374-2744

Before calling please locate the 10-digit code printed on your drone.

**ADULT ASSEMBLY, CHARGING, AND BATTERY INSTALLATION IS REQUIRED.
ADULT SUPERVISION IS REQUIRED.**



WARNING:

**CHOKING HAZARD - Small Parts.
Not for Children under 3 years.**

©2017 MerchSource, LLC. All rights reserved.
Distributed by MerchSource, LLC, Irvine, CA 92618.
For technical support, please visit www.dxdronecenter.com.com or call 1-800-374-2744.

The artwork and design of this manual are protected by US copyright law and may not be reproduced, distributed, displayed, published or used for any purpose without prior written permission. It is not permitted to alter, remove or reproduce any trademarks or copyright notice from this manual.

KEEP THIS INSTRUCTION MANUAL AS IT CONTAINS IMPORTANT INFORMATION FOR FUTURE REFERENCE.

Due to continuous product improvements, the picture on the manual may differ slightly from the actual product.

FOLDABLE POCKET DRONE

INTRODUCTION

Congratulations on your purchase of the Foldable Pocket Drone. Get ready to soar to new heights. Master the art of drone flying with remote control maneuverability. This lightweight drone will provide hours of fun.

SPECIFICATIONS

Drone Battery: 550 mAh Li-Po
Maximum Recommended Altitude: 100 ft.
Charging Time: 90 minutes

TABLE OF CONTENTS

| | |
|--|--------|
| General Warnings, FCC Warning, Tips, & Troubleshooting | Page 1 |
| Contents, Battery Warning, Charging Battery & Replacing Propellers | Page 2 |
| Prepping Your Drone & App Set-Up | Page 3 |
| Functional Specifications & Modes | Page 4 |

FOLDABLE POCKET DRONE

READ ALL WARNINGS AND PRECAUTIONS BEFORE USE

SAFETY WARNINGS

- Not recommended for children under 14 years of age. As with all electrical products, precautions should be observed during handling and use to reduce the risk of electrical shock.
- Adult supervision is required at all times
- Never fly drones above or near people, sudden changes in wind or other conditions could lead to unexpected crashes.
- Always use caution when flying drone vehicles, obey relevant laws, respect the privacy and property rights of others.
- The drone shall never be modified or used for anything except its intended purpose.
- Before each use, an adult should review the product and battery to determine that no damage or hazards exist
- **DO NOT TOUCH SPINNING PROPELLERS**
- Do not allow anything to intentionally make contact in any way with spinning propellers
 - Prevent contact with spinning blades by turning off remote prior to handling drone
- Use caution and pay attention to your surroundings while operating drone
- Do not fly drone into animals, people, or inanimate objects
- Keep drone away from power lines, buildings, trees, public areas, and any other potentially hazardous areas.
- Do not operate in rain, heavy wind, and or any type of severe weather
- Do not land drone on wet surfaces
- Never touch or allow others to touch drone while it is flying
- Always turn drone off when it is not in use
- Always fly drone in large open areas

WARNING: Changes or modifications to this unit not expressly approved by the party responsible for compliance could void the user's authority to operate the equipment.

Fly-aways are the responsibility of the individual pilot and will not be replaced by the manufacturer.

This drone weighs 0.12 lbs (53g). As of December 21, 2015, the Federal Aviation Administration (FAA) only requires registration on unmanned aircrafts weighing more than 0.55 lbs. Visit www.faa.gov/uas/registration/ for more information. The FAA does not require this drone to be registered, ongoing compliance with federal, state, and local laws is an owner's sole responsibility.

INVASION OF PRIVACY WARNING

Always be mindful of others privacy and do not record video or take images of others without their consent. Check and comply with your federal, state and local laws regarding privacy.

This device complies with Part 15 of the FCC Rules. Operation is subject to the following two conditions: (1) this device may not cause harmful interference, and (2) this device must accept any interference received, including interference that may cause undesired operation.

Note: This equipment has been tested and found to comply with the limits for a Class B digital device, pursuant to part 15 of the FCC Rules. These limits are designed to provide reasonable protection against harmful interference in a residential installation. This equipment generates, uses and can radiate radio frequency energy and, if not installed and used in accordance with the instructions, may cause harmful interference to radio communications.

However, there is no guarantee that interference will not occur in a particular installation. If this equipment does cause harmful interference to radio or television reception, which can be determined by turning the equipment off and on, the user is encouraged to try to correct the interference by one or more of the following measures:

- Reorient or relocate the receiving antenna.
- Increase the separation between the equipment and receiver.
- Connect the equipment into an outlet on a circuit different from that to which the receiver is connected.
- Consult the dealer or an experienced radio/TV technician for help.

FCC RF Radiation Exposure Statement:

CAUTION: To maintain compliance with the FCC's RF exposure guidelines, place the product at least 20cm from nearby persons.

TIPS

- Do not crash drone into sand or dirt. Drone gears may become clogged
- When first learning to fly, practice lifting off and hovering
- Stay several feet from walls and buildings
- Press the emergency stop button after crashing or when something gets stuck in the propellers.
- Never fly drones above or near people, sudden changes in wind or other conditions could lead to unexpected crashes.
- Always use caution when flying drone vehicles, obey relevant laws, respect the privacy and property rights of others.
- The drone shall never be modified or used for anything except its intended purpose.

TROUBLESHOOTING:

Drone and smart device properly pair, but the drone will not lift-off:

- 1) Drone Li-Po needs charging. Use charging cable to connect the drone to power source.

After trimming the drone, the drone flight is very unstable and cannot fly properly:

- 1) One or more blades are most likely damaged;
- 2) Turn off the drone and restart the app.
- 3) Replace with the proper number replacement blade and try flying again.

After impact, the drone is unstable:

- 1) In the app, move the left and the right joysticks down to the outside.
- 2) Click the Gyro Calibrate button of the in Extra Settings. The LED's of the drone will flicker then turn on permanently.

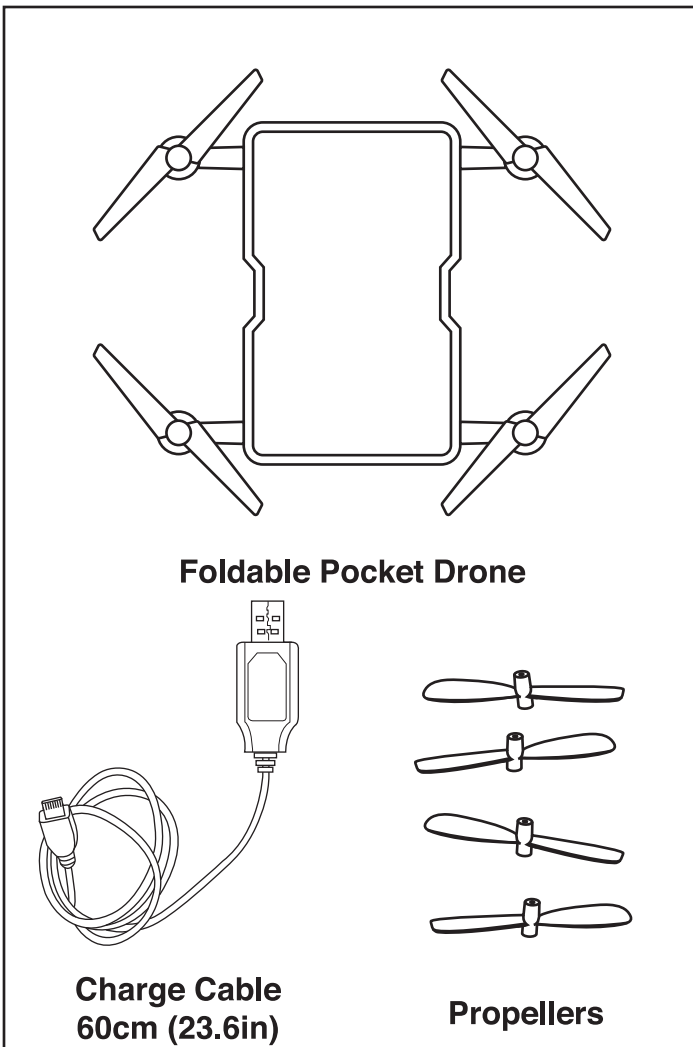
Smart Device and Drone can not be paired:

- 1) Check Point: Smart Device must be close to Drone, not exceed 4 meters.

Note: If there are 2 sets of Drones within 4 meters for Pairing, you must pair one successfully before pairing the second set.

FOLDABLE POCKET DRONE

CONTENTS



CHARGING BATTERY

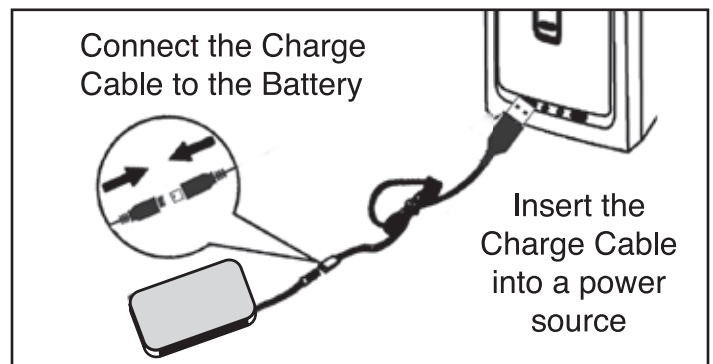
Turn off the drone before charging.

Remove the cover on the back of the drone and remove the battery by disconnecting the battery from the drone.

Connect the battery to the charge cable, then connect the USB connector to the power source.

Note: The Battery Charger will light up red when it is charging the battery and will turn off when the battery is fully charged. Charge time is approximately 90 minutes.

**DO NOT LEAVE BATTERY
UNATTENDED WHILE IT IS CHARGING**



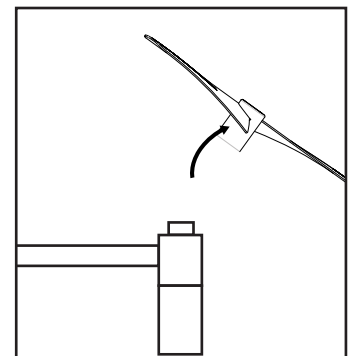
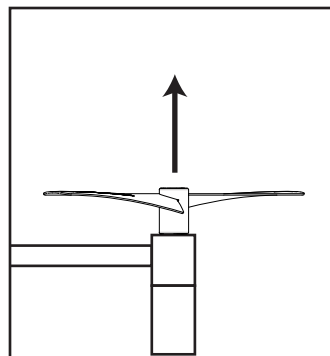
Replacing Propellers

1. Follow diagram.
2. Remove Broken Propeller by pulling up on it.
3. Replace with new Propeller.
4. Make sure you installed the correct blade. Each blade has a number written on it. Match the blades with the corresponding number on the drone.

NOTE: Blade 1 turns counter clockwise and Blade 2 turns clockwise

⚠ LITHIUM-POLYMER BATTERY WARNING

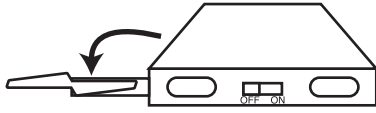
- There is a risk of fire and personal injury if Li-Po battery is punctured, damaged or misused.
- Never expose battery to extreme temperature or moisture.
- Do not subject battery to strong impacts
- Always keep battery away from flammable materials.
- Only use manufacturer specified batter(ies), charger(s), and/or adapters, if applicable.
- Battery is not serviceable.
- Let battery cool to room temperature before charging.
- While charging, never leave battery unattended.
- Recycle or dispose of battery according to federal, state and local laws.



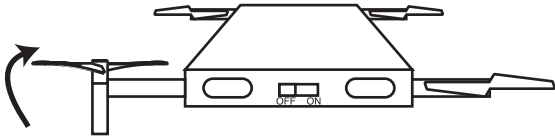
FOLDABLE POCKET DRONE

PREPARING YOUR DRONE

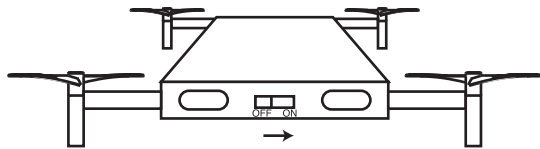
1. Pull each drone arm straight out from the body, it will click when it is fully extended.



2. Turn the feet in a downward motion, until it clicks into place. The propellers will now be positioned on top.

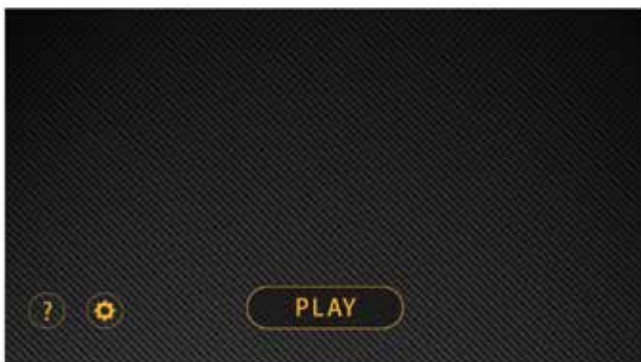


3. Turn the switch on the back side of the drone to "ON."

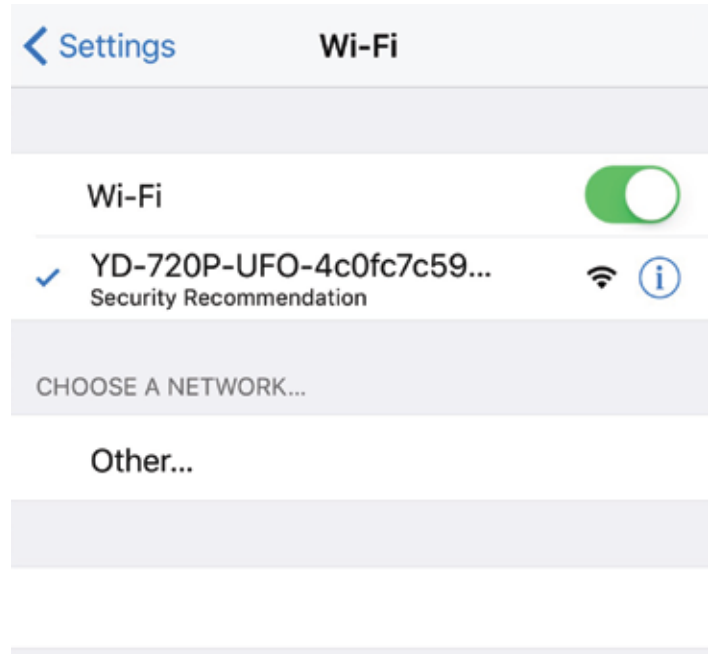


APP SETUP

1. Open the App Store or Google Play Store to download the app: "360-F Flight".



2. After installation, turn on the drone, then open the phone's settings.
3. Search for the WiFi signal "360-F Flight-XXXX". Click it to establish connection.



4. Reopen the "360-F Flight" app and press play to see the controls.



FOLDABLE POCKET DRONE

FUNCTIONAL SPECIFICATIONS

Turn on the drone, the LED's will be blinking quickly. Open the settings on your smart device and connect to the WiFi (360-F Flight-XXXX). Open the app and press play, the drone and app will be connected automatically. Click the arrow in the bottom left corner to take off.

APP CONTROLS

1. Return
2. Take Photo
3. Record Video
4. View Album
5. Speed Settings (30% / 60% / 100%)
6. Gravity Control
7. Extra Settings
8. VR Mode
9. Auto Orientation
10. Gyro Calibrate
11. Stunt
- 12/13. Spin Trim
- 14/15. Left/Right Trim
- 16/17. Forward/Backward Trim
18. Ascend/ Descend
- 19/20. Rotate Left/Right
21. Flight Direction Controls
22. Take Off
23. Emergency Stop
24. Auto Land

MODES

Stunt Button

Once you are comfortable flying the drone, use the Stunt Button to perform acrobatic stunts.

1. Hover the drone to at least above 10 feet.
2. Move the Multi Directional Button to the desired direction that you would like the drone to flip.

Trim Buttons

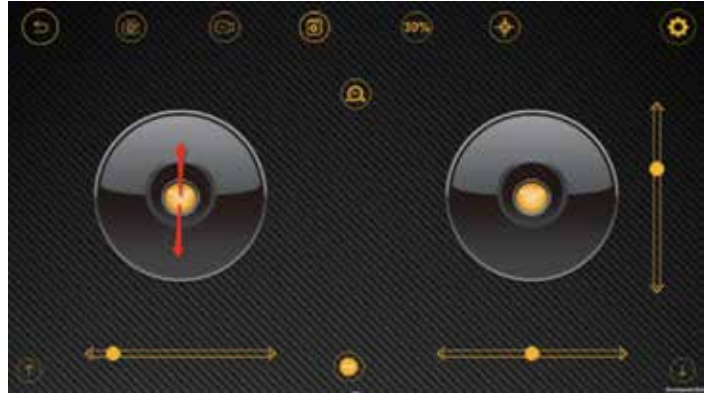
Follow these steps if your drone begins to drift while taking off or during flight:

- If the drone drifts backwards: Press the Forward Direction Trim Button.
- Drone drifts forward: Press the Backwards Direction Trim Button.
- Drone drifts left: Press the Right Direction Trim Button.
- Drone drifts right: Press the Left Direction Trim Button.
- Drone spins clockwise (Viewing drone from top): Press the Left Spin Trim Button.
- Drone spins counter-clockwise (Viewing drone from top): Press the Right Spin Trim Button.

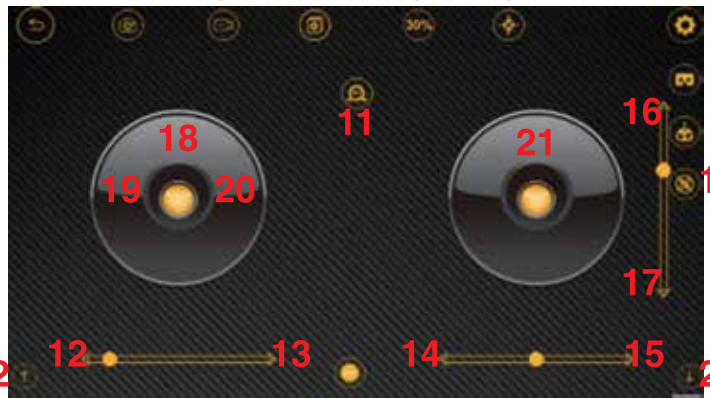
Auto Orientation Button

- Auto Orientation default setting is off. Press the Auto Orientation button to enter this mode.
- The smart device will beep every 6 seconds to indicate the drone is in Auto Orientation mode.
- To exit mode, press the Auto Orientation button again.

NOTE: Auto Orientation mode is oriented to the user when pairing. If the remote is moved after pairing Auto Orientation, please follow directions above to reset Auto Orientation.



1 2 3 4 5 6 7



22 12 13 14 15 24

23

Auto Landing Button

- Make sure you have achieved level, balanced flight, where the drone is neither climbing nor descending. This mode allows you to safely and slowly land your drone without having to control the speed. It is done for you automatically.
- The ideal auto landing height is 25-30 ft.
- Press the auto land button to trigger auto land. Smart device will beep continuously until you exit the auto land mode.
- To steer the drone during landing, use the right control until drone has reached the ground.
- Press the auto land button again to exit auto landing mode.

Camera – taking pictures and creating videos

- Taking a picture- press camera icon on app once to take a picture.
- Creating video- press video icon on app once to take a video. Press the video icon on app again to stop recording.