



# MODEL: BG

## OPERATING INSTRUCTION AND PARTS MANUAL

■ BG-2527  
■ BG-3532

■ BG-2820  
■ BG-3735

■ BG-3030  
■ BG-3040



For technical assistance or the SHARK dealer nearest you,  
visit our website at [www.shark-pw.com](http://www.shark-pw.com) or call 360-833-1600

# CONTENTS

---

Introduction & Important Safety Information .....	3-4
Component Identification .....	5
Assembly Instructions .....	6
Operating Instructions .....	7-8
Detergents & Cleaning Techniques .....	9
Shut Down and Clean-Up .....	10
Storage .....	10
Troubleshooting .....	11-12
Preventative Maintenance .....	13
Oil Change Record .....	13
Models 2527, 2820 Exploded View .....	14
Models 2527, 2820 Exploded View Parts List .....	15
Models 3030, 3532, 3735 Exploded View .....	16
Models 3030, 3532, 3735 Exploded View Parts List .....	17-18
Hose and Spray Gun Assembly .....	19
D Series Pump Exploded View & Parts List .....	20-21
M Series Pump Exploded View & Parts List .....	22-23
C Series Pump Exploded View & Parts List .....	24-26
VBA35 Unloader Exploded View & Parts List .....	27
AR-AL Unloader Exploded View & Parts List .....	28-29
Specifications .....	30-31
Warranty	

Model Number \_\_\_\_\_

Serial Number \_\_\_\_\_

Date of Purchase \_\_\_\_\_

The model and serial numbers will be found on a decal attached to the pressure washer. You should record both serial number and date of purchase and keep in a safe place for future reference.

# INTRODUCTION & SAFETY INFORMATION

Thank you for purchasing this pressure washer. All information in this manual is based on the latest product information available at the time of printing. We reserve the right to make changes at any time without incurring any obligation.

## Owner/User Responsibility:

The owner and/or user must have an understanding of the manufacturer's operating instructions and warnings before using this pressure washer. Warning information should be emphasized and understood. If the operator is not fluent in English, the manufacturer's instructions and warnings shall be read to and discussed with the operator in the operator's native language by the purchaser/owner, making sure that the operator comprehends its contents.

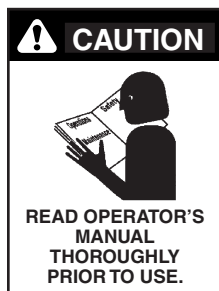
Owner and/or user must study and maintain for future reference the manufacturers' instructions.

The operator must know how to stop the machine quickly and understand the operation of all controls. Never permit anyone to operate the engine without proper instructions.

**This manual should be considered a permanent part of the machine and should remain with it if machine is resold.**

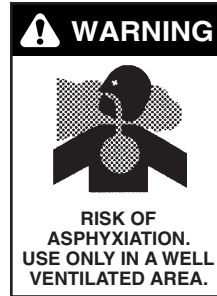
**When ordering parts, please specify model and serial number.**

## MACHINE SAFETY



**CAUTION:** To reduce the risk of injury, read operating instructions carefully before using.

1. Read the owner's manual thoroughly. Failure to follow instructions could cause malfunction of the machine and result in death, serious bodily injury and/or property damage.
2. All installations must comply with local codes. Contact your electrician, plumber, utility company or the selling distributor for specific details.



**WARNING: Risk of asphyxiation** — Use this product only in a well ventilated area.

3. Avoid installing machines in small areas or near exhaust fans. Exhaust contains poisonous carbon monoxide gas; exposure may cause loss of consciousness and may lead to death. It also contains chemicals known, in certain quantities, to cause cancer, birth defects or other reproductive harm.



**WARNING: Flammable liquids can create fumes which can ignite causing property damage or severe injury.**

**WARNING: Risk of fire** — Do not add fuel when the product is operating.

**WARNING: Risk of explosion** — Do not spray flammable liquids.

4. Do not place machine near flammable objects as the engine is hot.
5. Allow engine to cool for 2 minutes before refueling. If any fuel is spilled, make sure the area is dry before testing the spark plug or starting the engine. (Fire and/or explosion may occur if this is not done.)

Refuel gasoline engines on mobile or portable equipment:

- a. outdoors;
- b. with the engine on the equipment stopped;
- c. with no source of ignition within 10 feet of the dispensing point; and
- d. with an allowance made for expansion of the fuel should the equipment be exposed to a higher ambient temperature.

In an overfilling situation, additional precautions are necessary to ensure that the situation is handled in a safe manner.



**WARNING: High pressure stream of water that this equipment can produce can pierce skin and its underlying tissues, leading to serious injury and possible amputation.**

## SAFETY INFORMATION CONT.



**WARNING:** *High pressure spray can cause paint chips or other particles to become airborne and fly at high speeds. To avoid personal injury, eye safety devices must be worn.*

6. Eye safety devices and foot protection must be worn when using this equipment.
7. High pressure developed by these machines will cause personal injury or equipment damage. Use caution when operating. Do not direct discharge stream at people, or severe injury or death will result.
8. Never make adjustments on machine while in operation.

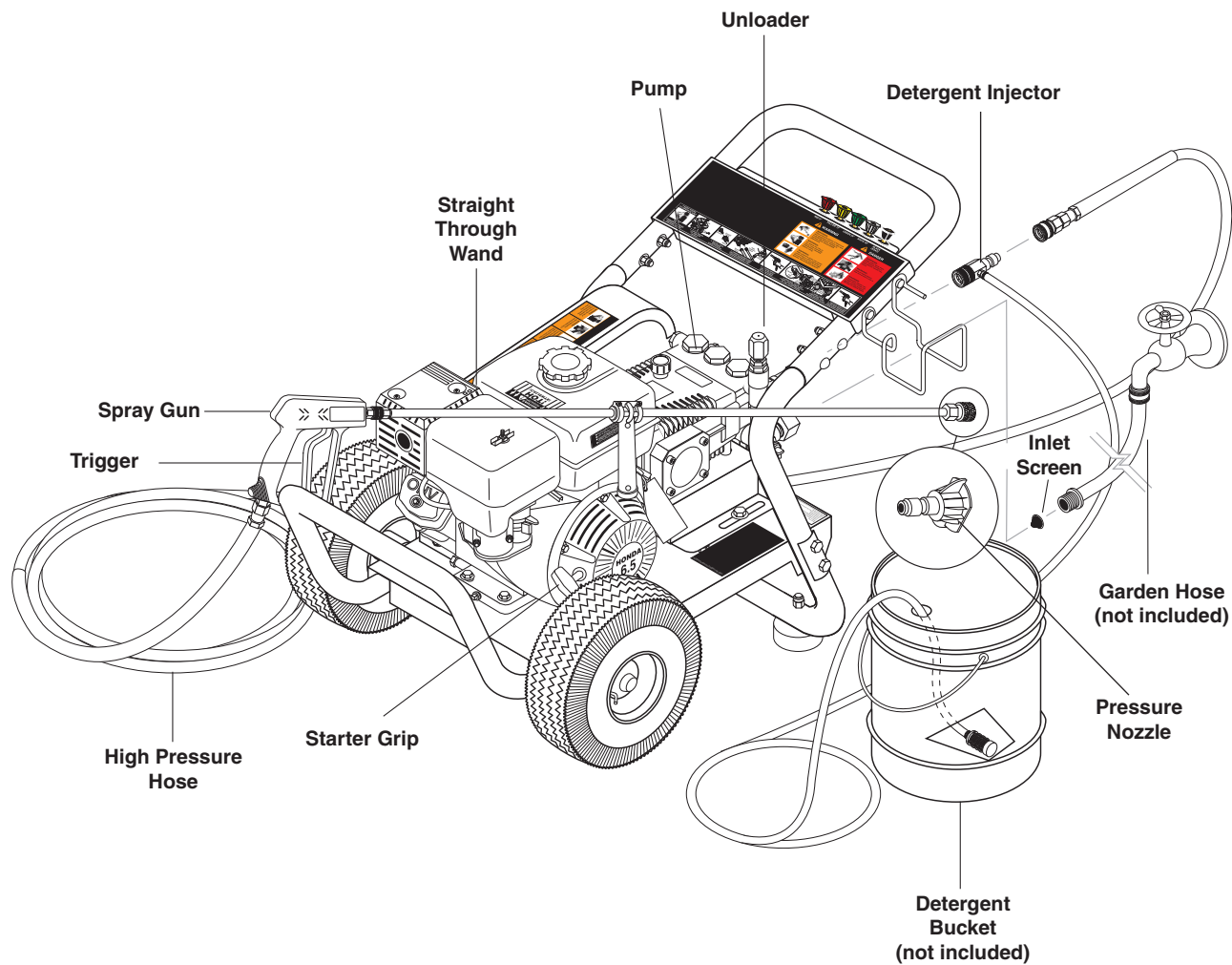
9. Do not operate with spray gun in the off position for extensive periods of time as this may cause damage to the pump.
10. The best insurance against an accident is precaution and knowledge of the machine.
11. Manufacturer will not be liable for any changes made to our standard machines, or any components not purchased from us.
12. Read engine safety instructions provided.



**WARNING:** *Keep water spray away from electrical wiring or fatal electric shock may result.*

13. Never run pump dry or leave spray gun closed longer than 5 minutes.
14. Do not allow children to operate the pressure washer at any time.
15. Inlet water supply must be cold and clean fresh water.

# COMPONENT IDENTIFICATION



**Pump** — Develops high pressure.

**Starter Grip**— Used for starting the engine manually.

**Spray Gun** — Controls the application of water and detergent onto cleaning surface with trigger device. Includes safety latch.

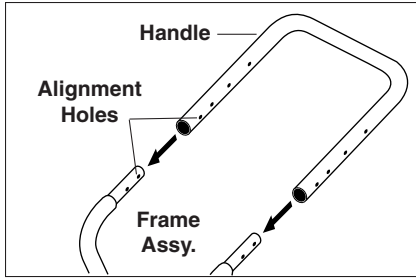
**Detergent Injector** — Allows you to siphon and mix detergents.

**Wand** — Must be connected to the spray gun.

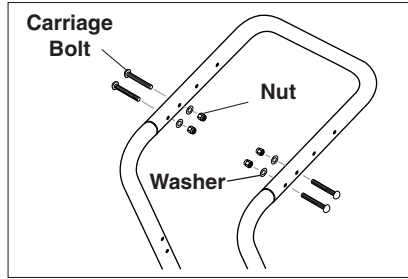
**High Pressure Hose** — Connect one end to water pump discharge nipple and the other end to spray gun.

**Note:** If trigger on spray gun is released for more than 2 minutes, water may leak from valve. Warm water will discharge from pump protector onto floor. This system prevents internal pump damage.

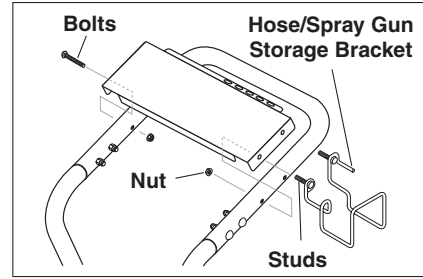
# ASSEMBLY INSTRUCTIONS



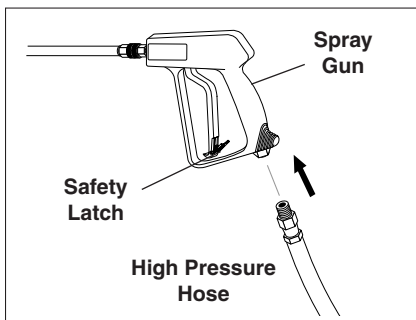
**STEP 1:** Attach the handle to the frame of the pressure washer. **Note:** It may be necessary to move the handle supports from side to side in order to align the handle so it will slide over the frame supports.



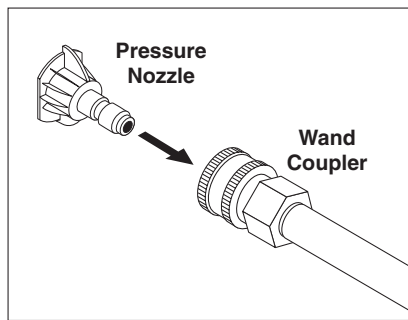
**STEP 2:** Insert the carriage bolt through the holes from the outside of the unit and attach a nut from the inside of the machine. Tighten nuts.



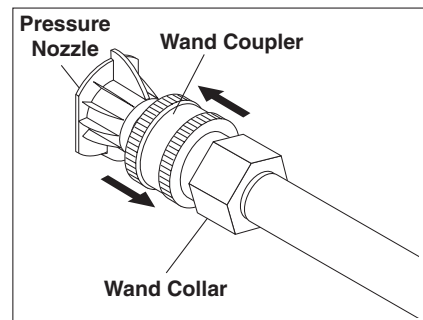
**STEP 3:** Attach the spray gun/hose storage handle, and bracket to handle. Tighten nuts.



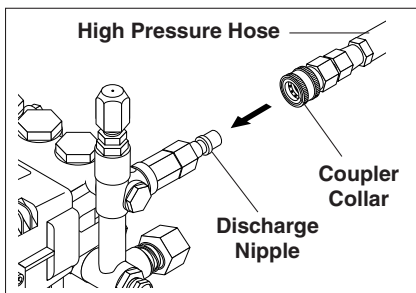
**STEP 4:** Attach the high pressure hose to the spray gun using teflon tape on hose threads.



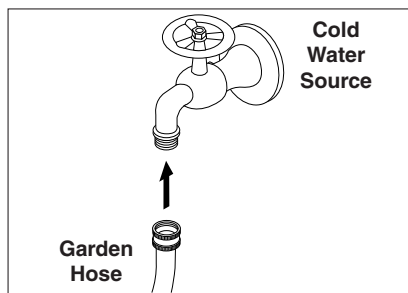
**STEP 5:** Pull the spring-loaded collar of the wand coupler back to insert your choice of pressure nozzle.



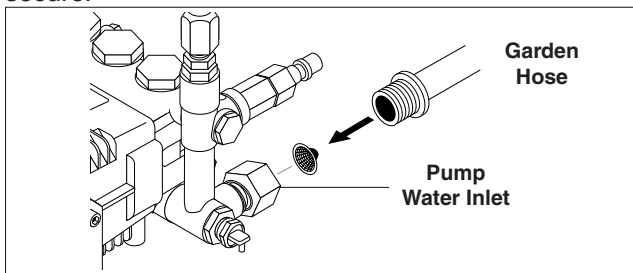
**STEP 6:** Release the coupler collar and push the nozzle until the collar clicks. Pull the nozzle to make sure it is seated properly.



**STEP 7:** Connect high pressure hose to pumps discharge nipple. Push coupler collar forward until secure.

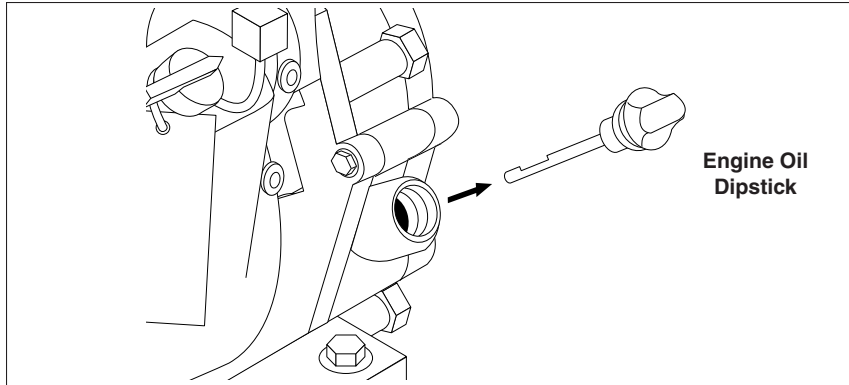


**STEP 8:** Connect garden hose to the cold water source.

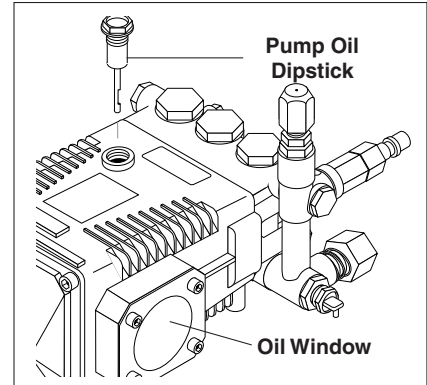


**STEP 9:** Connect the garden hose to pump water inlet. Inspect inlets. **CAUTION: Do not run the pump without water or pump damage will result.**

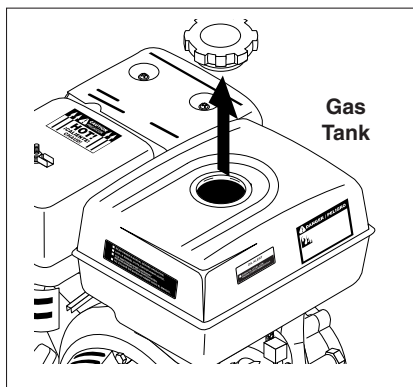
# OPERATING INSTRUCTIONS



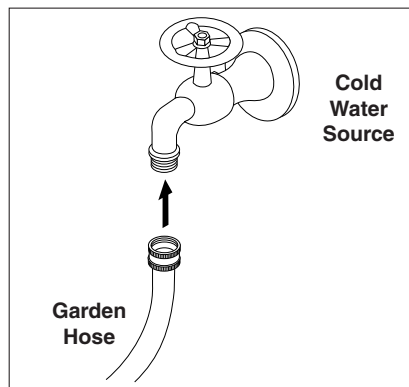
**STEP 1:** Check engine oil level. Oil level should be level with the bottom of the oil filler neck. Be sure the machine is level when checking the oil level. (Refer to the engine's operating manual included with machine.) We recommend that the oil be changed after the first 5 hours of use, then once every 50 hours. **Note:** Improper oil levels will cause low oil sensor to shut off engine. **IMPORTANT! Do not run engine with high or low oil levels as this will cause engine damage.**



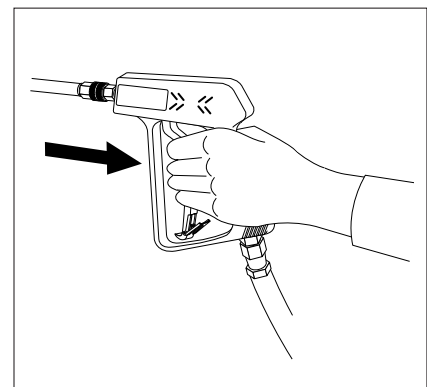
**STEP 2:** Remove shipping cap and install oil dipstick. Check pump oil level by using dipstick or observe oil level in oil window (if equipped). Use 30 Wt. non detergent oil.



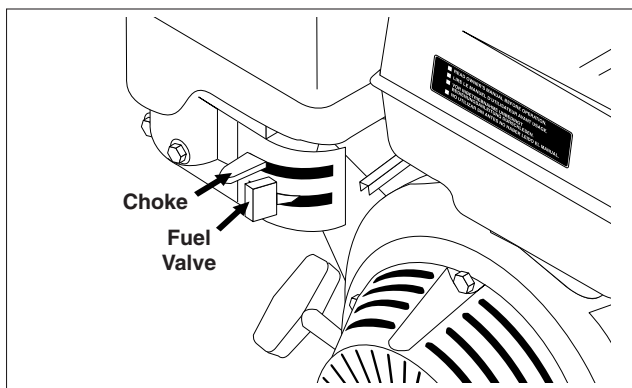
**STEP 3:** Fill gas tank with unleaded gasoline. Do not use leaded gasoline.



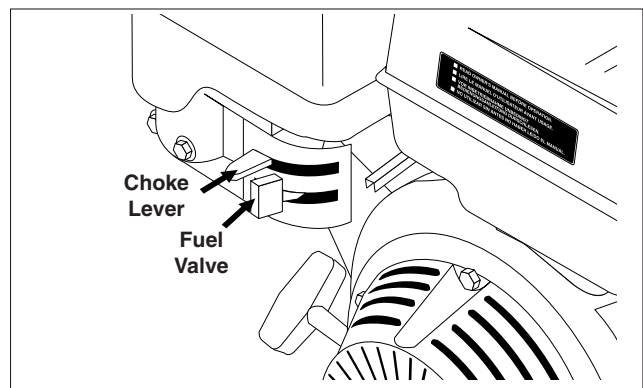
**STEP 4:** Connect garden hose to the cold water source and turn water on completely. Never use hot water.



**STEP 5:** Trigger the spray gun to eliminate trapped air then wait for a steady flow of water to emerge from the spray nozzle.

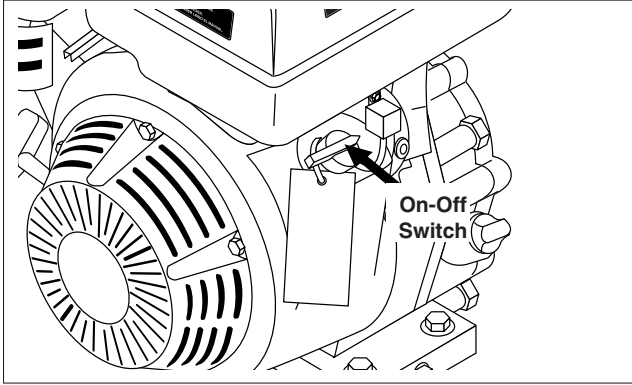


**STEP 6:** Rotate the fuel shut-off valve to the "On" position. Slide the fuel valve lever to the "ON" position. When the engine is not in use, leave the fuel valve in the "OFF" position.

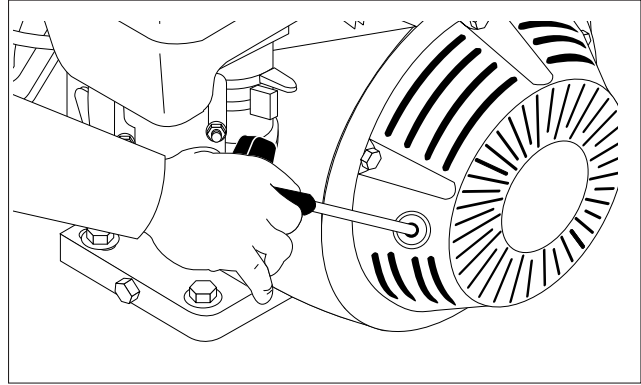


**STEP 7:** Move the choke lever to the "Choke" position (on a warm engine, leave the choke lever in the run position). Move the choke lever to the "Closed" position. To restart a warm engine, leave the choke lever in the "Open" position.

## OPERATING INSTRUCTIONS (CONT.)

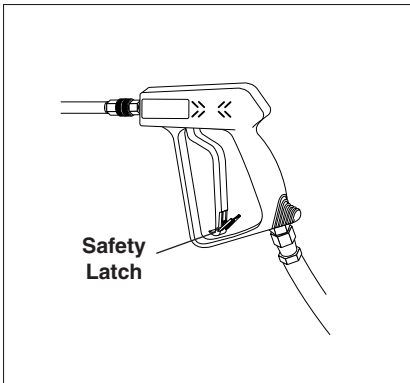


**STEP 8:** Turn the engine switch to "On" position.  
 On Briggs engines, move the throttle lever to "Fast" position, shown on engine as a rabbit.

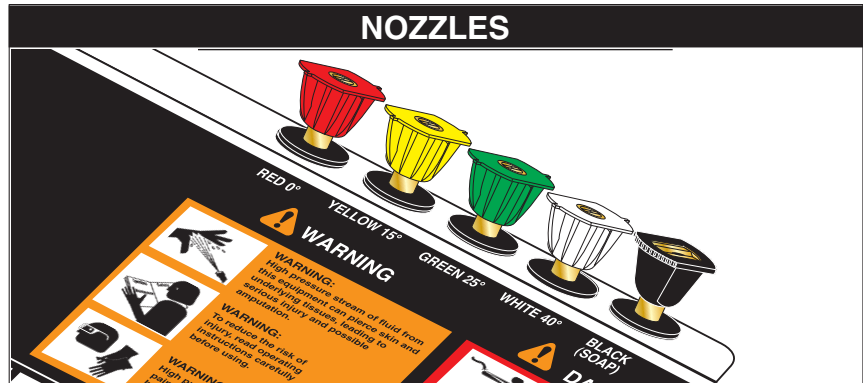


**STEP 9:** Pull the starter grip. If the engine fails to start after 2 pulls, squeeze the trigger gun to release pressure and repeat step. Return starter gently. After the engine warms up enough to run smoothly, move choke to run position and throttle to fast position.

**CAUTION:** Small engines may kick back. Do not hold pull starter grip tightly in hand.



**WARNING!** Never replace nozzles without engaging the safety latch on the spray gun trigger.



The five color-coded quick connect nozzles provide a wide array of spray widths from 0° to 45° and are easily accessible when placed in the convenient rubber nozzle holder, which is provided on the front of the machine.

**NOTE:** For a more gentle rinse, select the white 40° or green 25° nozzle. To scour the surface, select the yellow 15° or red 0° nozzle. To apply detergent select the black nozzle.

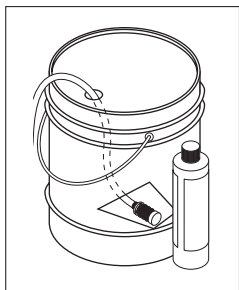
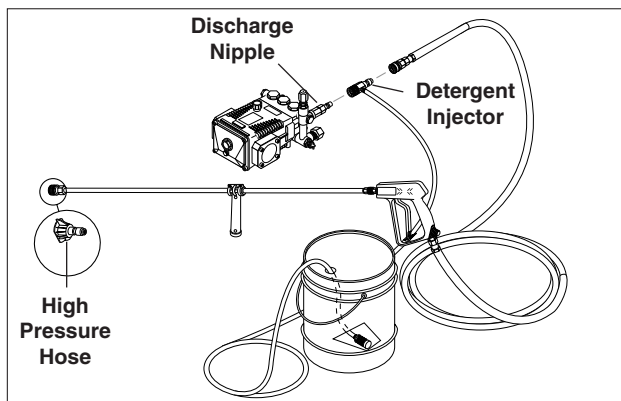


# DETERGENTS & GENERAL CLEANING TECHNIQUES



**WARNING:** Some detergents may be harmful if inhaled or ingested, causing severe nausea, fainting or poisoning. The harmful elements may cause property damage or severe injury.

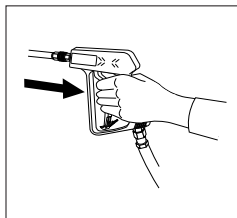
**STEP 1:** Connect detergent injector to discharge nipple on machine. Connect high pressure hose to injector with quick coupler. (Check to make sure locking coupler sleeves are in proper position before applying water pressure).



**STEP 2:** Use detergent designed specifically for pressure washers. Household detergents could damage the pump. Prepare detergent solution as required by the manufacturer. Fill a container with pressure washer detergent. Place the filter end of detergent suction tube into the detergent container.

**STEP 3:** With safety latch on spray gun engaged, secure black detergent nozzle into quick coupler.

**NOTE:** Detergent cannot be applied using red, yellow, green or white nozzles.



**STEP 4:** With the engine running, pull trigger to operate machine. Liquid detergent is drawn into the machine and mixed with water. Apply detergent to work area. Do not allow detergent to dry on surface.

**IMPORTANT:** You must flush the detergent injection system after each use by placing the suction tube into a bucket of clean water, then run the pressure washer in low pressure for 1-2 minutes.

## THERMAL PUMP PROTECTION

If you run the engine on your pressure washer for 3-5 minutes without pressing the trigger on the spray gun, circulating water in the pump can reach high temperatures. When the water reaches this temperature, the pump protector engages and cools the pump by discharging the warm water onto the ground. This thermal device prevents internal damage to the pump.

## CLEANING TIPS

Pre-rinse cleaning surface with fresh water. Place detergent suction tube directly into cleaning solution and apply to surface at low pressure (for best results, limit your work area to sections approximately 6 feet square and always apply detergent from bottom to top). Allow detergent to remain on surface 1-3 minutes. Do not allow detergent to dry on surface. If surface appears to be drying, simply wet down surface with fresh water. If needed, use brush to remove stubborn dirt. Rinse at high pressure from top to bottom in an even sweeping motion keeping the spray nozzle approximately 1 foot from cleaning surface. Use overlapping strokes as you clean and rinse any surface. For best surface cleaning action spray at a slight angle.

### Recommendations:

- Before cleaning any surface, an inconspicuous area should be cleaned to test spray pattern and distance for maximum cleaning results.
- If painted surfaces are peeling or chipping, use extreme caution as pressure washer may remove the loose paint from the surface.
- Keep the spray nozzle a safe distance from the surface you plan to clean. High pressure wash a small area, then check the surface for damage. If no damage is found, continue pressure washing.

### CAUTION - Never use:

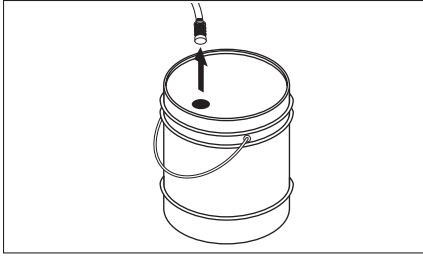
- Bleach, chlorine and other corrosive chemicals
- Liquids containing solvents (i.e., paint thinner, gasoline, oils)
- Tri-sodium phosphate products
- Ammonia products
- Acid-based products

These chemicals will harm the machine and will damage the surface being cleaned.

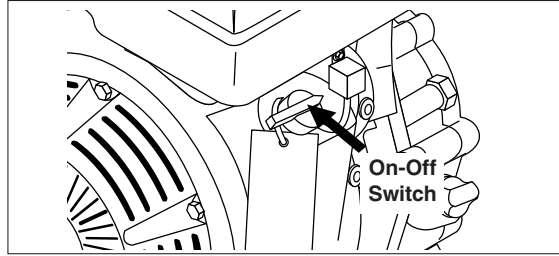
## RINSING

It will take a few seconds for the detergent to clear. Apply safety latch to spray gun. Remove black soap nozzle from the quick coupler. Select and install the desired high pressure nozzle. **NOTE:** You can also stop detergent from flowing by simply removing the detergent siphon tube from bottle.

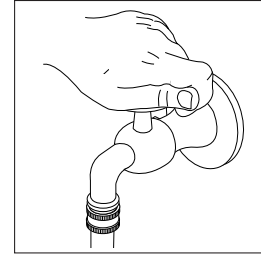
## SHUTTING DOWN AND CLEAN-UP



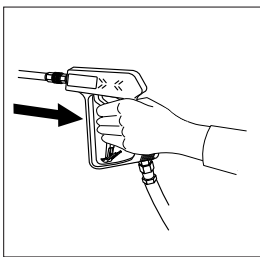
**STEP 1:** Remove detergent suction tube from container and insert into one gallon of fresh water. Slide nozzle forward for low pressure or to connect black detergent nozzle. Pull trigger on spray gun and siphon water for one minute.



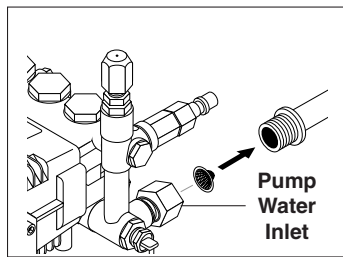
**STEP 2:** Turn off the engine.



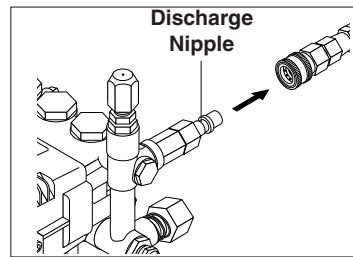
**STEP 3:** Turn off water supply.



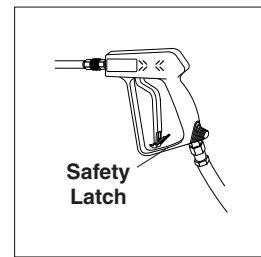
**STEP 4:** Press trigger to release water pressure.



**STEP 5:** Disconnect the garden hose from the water inlet on the machine.



**STEP 6:** Disconnect the high pressure hose from discharge nipple.



**STEP 7:** Engage the spray gun safety lock.

## STORAGE

**CAUTION:** Always store your pressure washer in a location where the temperature will not fall below 32°F (0°C). The pump in this machine is susceptible to permanent damage if frozen. **FREEZE DAMAGE IS NOT COVERED BY WARRANTY.**

1. Stop the pressure washer, squeeze spray gun trigger to release pressure.
2. Detach water supply hose and high pressure hose.
3. Turn on the machine for a few seconds, until remaining water exits. Turn engine off immediately.
4. Drain the gas and oil from the engine.
5. Do not allow high pressure hose to become kinked.
6. Store the machine and accessories in a room which does not reach freezing temperatures.

**CAUTION:** Failure to follow the above directions will result in damage to your pressure washer.

When the pressure washer is not being operated or is being stored for more than one month, follow these instructions:

1. Replenish engine oil to upper level.
2. Drain gasoline from fuel tank, fuel line, fuel valve and carburetor.
3. Pour about one teaspoon of engine oil through the spark plug hole, pull the starter grip several times and replace the plug. Then pull the starter grip

slowly until you feel increased pressure which indicates the piston is on its compression stroke and leave it in that position. This closes both the intake and exhaust valves to prevent rusting of cylinder.

4. Cover the pressure washer and store in a clean, dry place that is well ventilated away from open flame or sparks. **NOTE:** The use of a fuel additive, such as STA-BIL®, or an equivalent, will minimize the formulation of fuel deposits during shortage. Such additives may be added to the gasoline in the fuel tank of the engine, or to the gasoline in a storage container.

### After Extended Storage



**CAUTION:** Prior to restarting, thaw out any possible ice from pressure washer hoses, spray gun or wand.

### Engine Maintenance

During the winter months, rare atmospheric conditions may develop which will cause an icing condition in the carburetor. If this develops, the engine may run rough, lose power and may stall. This temporary condition can be overcome by deflecting some of the hot air from the engine over the carburetor area. **NOTE:** Refer to the engine manufacturer's manual for service and maintenance of the engine.

## TROUBLESHOOTING

<b>PROBLEM</b>	<b>POSSIBLE CAUSE</b>	<b>SOLUTION</b>
<b>LOW OPERATING PRESSURE</b>	Insufficient water supply. Closed faucet	Use larger garden hose; clean inlet water screen. Open faucet.
	Old, worn or incorrect spray nozzle	Match nozzle number to machine and/or replace with new nozzle.
	Plumbing or hose leak	Check plumbing system for leaks. Re-tape leaks with teflon tape.
	Faulty or mis-adjusted unloader valve	Adjust unloader for proper pressure. Install repair kit when needed. Call technical support.
	Worn packing in pump	Call technical support.
	Machine has been stored in freezing temperatures	Thaw out machine completely, including hose, spray gun and wand.
	Slow engine RPM	Call technical support.
<b>FLUCTUATING PRESSURE</b>	Worn pump valves	Call technical support.
	Dirt in pump valves	Call technical support.
	Pump sucking air	Check all pump lines and connections.
<b>PRESSURE LOW AFTER PERIOD OF NORMAL USE</b>	Nozzle worn	Replace nozzle.
	Unloader valve worn	Replace unloader valve.
<b>ENGINE WILL NOT START OR STOPS WHILE OPERATING</b>	Low oil shutdown	Fill engine with oil.
<b>ENGINE IS OVERLOADED</b>	Nozzle partially blocked	Clean nozzle.
	Excessive pressure from high engine RPM	Adjust engine throttle to lower RPM.
<b>WATER OR OIL LEAKING FROM BOTTOM OF PUMP</b>	A small amount of leaking is normal	If excessive leaking occurs, call technical support.
<b>PRESSURE INCREASES WHEN SPRAY GUN IS CLOSED</b>	Unloader valve not operating properly	Call technical support.
<b>PRESENCE OF WATER IN PUMP OIL</b>	Water sprayed at machine	Change oil. Direct spray away from machine.
	High humidity in air	Check and change oil twice as often.
	Piston packing worn. Oil seal worn	Call technical support.

## TROUBLESHOOTING

PROBLEM	POSSIBLE CAUSE	SOLUTION
<b>OIL SQUIRTS OUT OF OIL CAP ON PUMP</b>	Pump over filled with oil	Maintain oil level at red dot on sight glass at rear of pump or at top of notch on dipstick.
<b>ENGINE OPERATES FOR 15 MIN. THEN STOPS</b>	Not enough gas or engine oil	Fill tank with gas. Check oil level.
	Vapor lock developed by heat of day	Keep gas tank full to avoid vapor locking.
	Obstruction in fuel filter	Clean or replace fuel filter.
<b>WATER DRIPPING FROM UNDER PUMP</b>	Piston packing worn	Call technical support.
	O-Ring plunger retainer worn	Call technical support.
	Cracked piston	Call technical support.
<b>OIL DRIPPING</b>	Oil seal worn	Call technical support.
<b>WATER LEAKING FROM PUMP PROTECTOR</b>	Spray gun closed with machine running 2 minutes or longer	Open spray gun or turn off machine.
	Excess water supply pressure	Place a pressure regulator at end of 50' garden hose.

## PREVENTATIVE MAINTENANCE

This pressure washer was produced with the best available materials and quality craftsmanship. However, you as the owner have certain responsibilities for the correct care of the equipment. Attention to regular preventative maintenance procedures will assist in preserving the performance of your equipment. Contact your dealer for maintenance. Regular preventative maintenance will add many hours to the life of your pressure washer. Perform maintenance more often under severe conditions.

MAINTENANCE SCHEDULE		
Engine Oil	Inspect	Daily
	Change	First month or 20 hours. Every 100 hours or every 6 months after first month
	Filter	Every 50 hours
Air Cleaner/Filter	Inspect	Every 50 hours
	Clean	Monthly
Engine Fuel Filter		500 hours or 6 months
Spark Plug Maintenance		300 hours or annually
Clean Fuel Tank(s)		Annually
Replace Fuel Lines		Annually
Pump Oil	Inspect	Oil level daily
	Change	After first 50 hours, then every 500 hours or annually
Replace High Pressure Nozzle		Every 6 months
Replace Quick Connects		Annually
Clean Water Screen/Filter		Weekly
Replace HP Hose		Annually (if there are any signs of wear)
Belts	Tighten	Every 6 months
	Inspect/Replace	Every 6 months

## OIL CHANGE RECORD

Check pump oil and engine oil level before first use of your new pressure washer.

Date Oil Changed Month/Day/Year	Estimated Operating Hours Since Last Oil Change

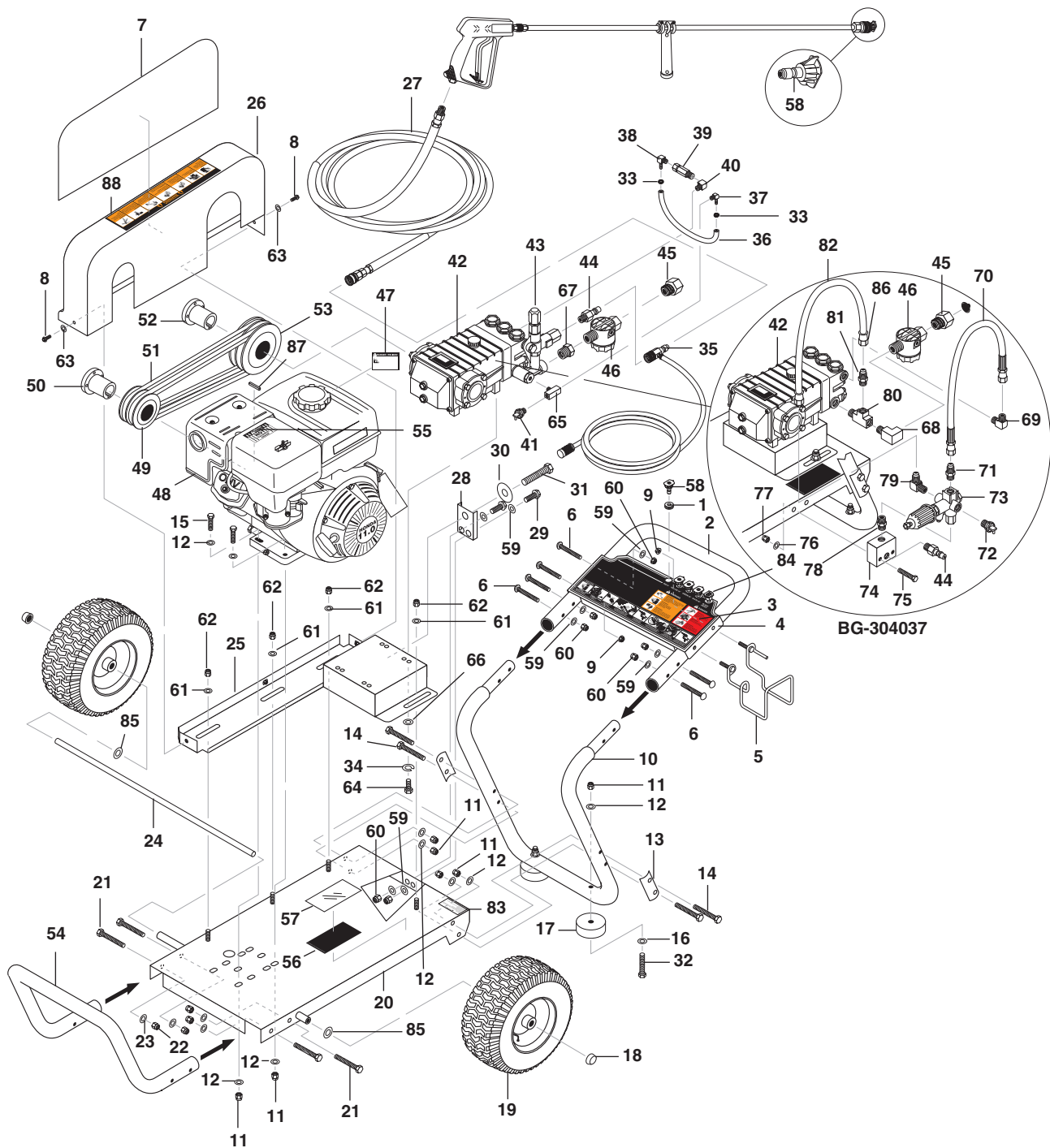
Date Oil Changed Month/Day/Year	Estimated Operating Hours Since Last Oil Change



## EXPLODED VIEW PARTS LIST - 2527, 2820

ITEM	PART NO.	DESCRIPTION	QTY	ITEM	PART NO.	DESCRIPTION	QTY
1	2-0103	Grommet, Rubber, Nozzle Holder	5	39	90-19710	Bolt, 1/4" x 3/4" Flange	3
2	95-07104921	Handle, Grab, Red	1	40	90-10201	Bolt 3/8" x 2-1/4"	2
3	11-0359	Label, BX Models	1	41	2-300812	Pump Protector 1/4" (282037, 252737, 252739)	1
	11-0358	Label, BG Models	1		2-300816	Pump Protector, 3/8" PTP (282039)	1
4	95-07104945	Plate, Warning/Instr., Red	1	42	Pump, See Specifications Pages		
5	95-07102382	Hanger, Hose/Wand	1	43	Unloader, See Specifications Pages		
6	90-100473	Bolt, Carriage, 1/4"-20 x 1-3/4", Zinc	6	44	2-2006	Nipple, 3/8" Fem x 3/8" (282039)	1
7	11-3227	Label, Belt Guard (BX)	1		2-2007	Nipple, 3/8" x 3/8" NPT ST Male (252737, 252739, 282037)	1
	11-32291	Label, Belt Guard (BG)	1	45	2-10942	Swivel, 1/2" MP x 3/4" GHF w/Strainer	1
8	2-1100	Adapter, 1/2" x 1/2" (2527, 2820)	1	46	2-1923	Strainer, 1/2" PA, Inline Plastic	1
	2-1102	Adapter, 1/2" x 3/8" (282039)	1	47	10-02029	Label, Danger Cool Engine	1
9	90-20012	Nut, 5/16" Flange	2	48	Engine, See Specifications Pages		
10	95-07104920	Handle, Lower Grab, Red	1	49	Engine Pulley, See Specifications Pages		
11	90-2002	Nut, 3/8", ESNA, NC	6	50	Engine Bushing, See Specifications Pages		
12	90-4002	Washer, 3/8", SAE, Flat	6	51	Belts, See Specifications Pages		
13	95-07104923	Retainer Bracket, Handle, Red	2	52	Pump Bushing, See Specifications Pages		
14	90-1020	Bolt, 3/8" x 2" NC, HH	4	53	Pump Pulley, See Specifications Pages		
15	90-1009	Bolt, 5/16" x 1/2"	4	54	95-07104922	Handle, Bumper, Red	1
16	90-40125	Washer, 3/8" x 1", Steel	2	55	10-02025A	Label, Hot/Caliente w/Arrows, Warning	1
17	2-01041	Pad, Soft Rubber	2	56	10-08017	Label, For Outdoor Use	1
18	90-200422	Cap, 5/8" Axle Hub, Black	2	57	10-9999	Label, Clear Lexan, 2-1/4" x 4-1/2"	1
19	4-0303	Wheel & Tire Assy., 4" Steel Rim w/Tube	2	58	4-12803000	Nozzle, SAQCMEG, 0003.0, Red (2527)	1
20	95-07104963	Frame Assy, Small	1		4-12803015	Nozzle, SAQCMEG 1503.0, Yellow (2527)	1
21	90-10077	Bolt, 5/16" x 1-3/4", NC, Carriage, Zinc	4		4-12803025	Nozzle, SAQCMEG, 2503.0, Green (2527)	1
22	90-2001	Nut, 5/16", ESNA, NC	4		4-12803040	Nozzle, SAQCMEG 4003.0, White (2527)	1
23	90-4001	Washer, 5/16" Flat, SAE	4		4-12804000	Nozzle, SACQMEG, 0004.5, Red (2820)	1
24	95-07102313	Axle, 5/8" x 19-5/8"	1		4-12804015	Nozzle, SAQCMEG 1504.0, Yellow (2820)	1
25	95-07104710	Slider, Pump	1		4-12804025	Nozzle, SAQCMEG, 2504.0, Green (2820)	1
26	2-011732	Guard, Belt	1		4-12804040	Nozzle, SAQCMEG 4004.0, White (2820)	1
27	Hose, See Specifications Pages			59	90-1007	Bolt, 5/16" x 1" NC	3
28	95-07104948	Bracket, Take Up, CW, Red	1	60	2-01403	Bushing, 5/8" Snap	2
29	90-1001	Screw, 1/4" x 3/4" HH NC	2	61	90-4000	Washer, 1/4" Flat, SAE	10
30	90-3096	Washer, 1/2", Flat, SAE	1	62	90-2000	Nut, 1/4" ESNA, NC	8
31	90-102751	Bolt, 1/2" x 3-1/2" HEX	1	63	90-1030	Bolt, 8mm x 30mm Hex	4
32	11-01011	Label, Warning Pictorial Small	1	64	9.800-049.0	Label, Cleaning Solution	1
33	90-4005	Washer, 5/8" Flat	2	65	4-16540	Nozzle, Compl, Detergent	1
34	90-4008	Washer, 5/16" Lock	4	66	95-07141120	Key, .185" Sqr. x 1.75"	1
35	4-011184	Injector, Detergent Assy, Non-Adj, 3-5 GPM, 0.083	1				
36	90-4001	Washer, 5/16" Flat	18				
37	90-2001	Nut, 5/16" ESNA	7				
38	90-4000	Washer, 1/4"	3				

# EXPLODED VIEW - 3030, 3040, 3532, 3735





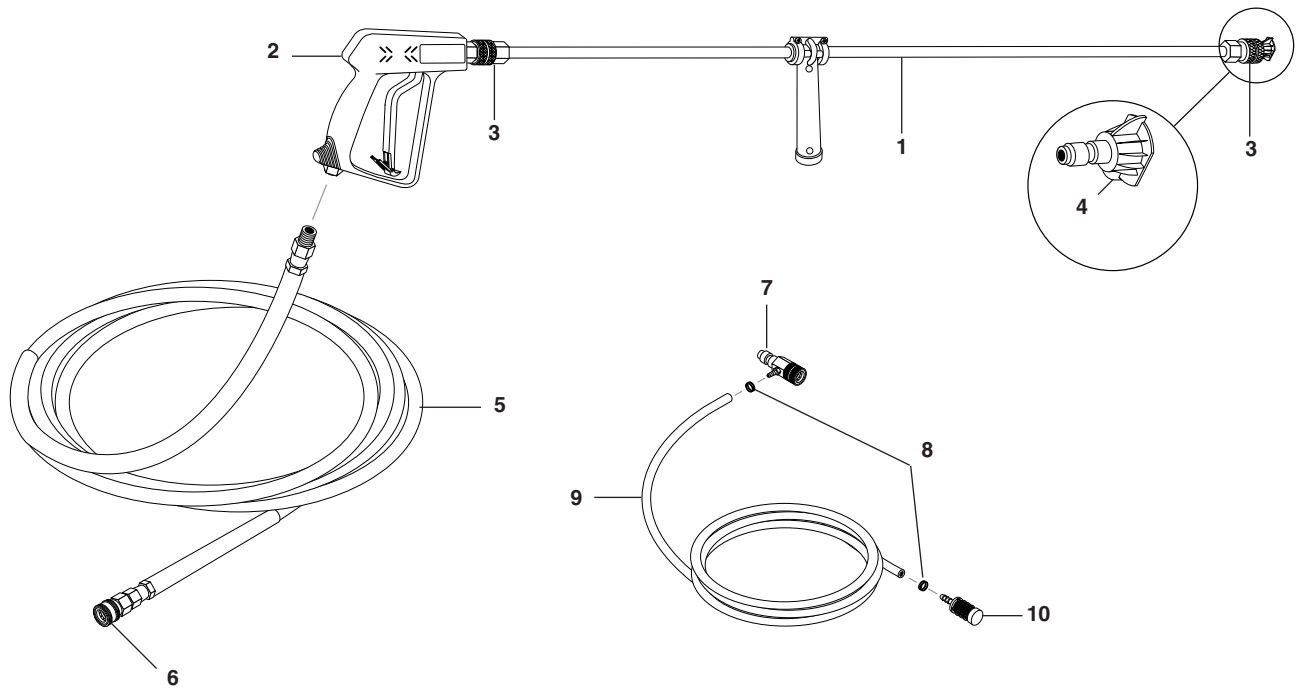
# EXPLODED VIEW PARTS LIST - 3030, 3040, 3532, 3735

ITEM	PART NO.	DESCRIPTION	QTY	ITEM	PART NO.	DESCRIPTION	QTY
1	2-0103	Grommet, Rubber, Nozzle Holder	5	36	4-02100000	Hose, 1/4", Push-On, Fuel Line	1 ft.
2	95-07104921	Handle, Grab, Red	1	37	2-1089	Hose Barb, 1/4" Barb x 1/4" ML Pipe, 90° (3030, 3532, 3735)	1
3	11-0359	Label, BX Models	1	38	2-1084	Hose Barb, 1/4" Barb x 1/8" ML Pipe (3040, 3532, 3735)	1
	11-0358	Label, BG Models	1		2-1088	Hose Barb 1/4" Barb x 1/8" ML Pipe 90° (3030)	1
4	95-07104945	Plate, Warning/Instr., Red	1	39	2-3100544	Valve, E-Z Start, 3/8" MPT x 1/8" FPT (3735)	1
5	95-07102382	Hanger, Hose/Wand	1		2-3100543	Valve, EZ Start 1/4" (3030)	1
6	90-100473	Bolt, Carriage, 1/4"-20 x 1-3/4", Zinc	6	40	2-0031	Elbow, 3/8", Street (3735)	1
7	11-32289	Label, Belt Guard (BX)	1		2-0030	Elbow, 1/4" Street (3030)	1
	11-3229	Label, Belt Guard (BG)	1	41	2-300812	Pump Protector, 1/4" PTP	1
8	90-19710	Bolt, 1/4" x 3/4" Flange	3	42	Pump, See Specifications Pages		
9	90-20012	Nut, 5/16" Flange	2	43	Unloader, See Specifications Pages		
10	95-07104920	Handle, Lower Grab, Red	1	44	2-2007	Nipple, 3/8" x 3/8" NPT ST Male	1
11	90-2002	Nut, 3/8", ESNA, NC	10	45	2-10942	Swivel, 1/2" MP x 3/4" GHF w/Strainer	1
12	90-4002	Washer, 3/8", SAE, Flat	14	46	2-1923	Strainer, 1/2" PA, Inline Plastic	1
13	95-07104923	Retainer Bracket, Handle, Red	2	47	10-02029	Label, Danger Cool Engine	1
14	90-1020	Bolt, 3/8" x 2" NC, HH	4	48	Engine, See Specifications Pages		
15	90-1019	Bolt, 3/8" x 1-3/4", Tap	4	49	Engine Pulley, See Specifications Pages		
16	90-40125	Washer, 3/8" x 1", Steel	2	50	Engine Bushing, See Specifications Pages		
17	2-01041	Pad, Soft Rubber	2	51	Belts, See Specifications Pages		
18	90-200422	Cap, 5/8" Axle Hub, Black	2	52	Pump Bushing, See Specifications Pages		
19	4-0307	Wheel & Tire Assy., 6" Steel Rim w/Tube	2	53	Pump Pulley, See Specifications Pages		
20	95-07104931	Frame Assy, Large	1	54	95-07104922	Handle, Bumper, Red	1
21	90-10077	Bolt, 5/16" x 1-3/4", NC, Carriage, Zinc	4	55	10-02025A	Label, Hot/Caliente w/Arrows, Warning	1
22	90-2001	Nut, 5/16", ESNA, NC	4	56	10-08017	Label, Intended For Outdoor Use	1
23	90-4001	Washer, 5/16" Flat, SAE	4	57	10-9999	Label, Clear Lexan, 2-1/4" x 4-1/2"	1
24	95-07104002	Axle, 5/8" x 26.50" L	1	58	4-12803500	Nozzle, SAQCMEG, 0003.5, Red (3030)	1
25	95-07104001	Slider, Pump	1		4-12803515	Nozzle, SAQCMEG 1503.5, Yellow (3030)	1
26	2-0117202	Guard, Belt (3030)	1		4-12803525	Nozzle, SAQCMEG, 2503.5, Green (3030)	1
	2-0117200	Guard, Belt (3532,3735,3040)	1		4-12803540	Nozzle, SAQCMEG 4003.5, White (3030)	1
27	Hose, See Specifications Pages				4-12804000	Nozzle, SAQCMEG, 0004.5, Red (3532, 3735, 3735)	1
28	95-07104948	Bracket, Take Up, CW, Red	1		4-12804015	Nozzle, SAQCMEG 1504.0, Yellow (3532, 3735, 3735)	1
29	90-1001	Screw, 1/4" x 3/4" HH NC	2		4-12804025	Nozzle, SAQCMEG, 2504.0, Green (3532, 3735, 3735)	1
30	90-3096	Washer, 1/2", Flat, SAE	1		4-12804040	Nozzle, SAQCMEG 4004.0, White (3532, 3735, 3735)	1
31	90-102751	Bolt, 1/2" x 3-1/2" HEX	1				
32	90-10201	Bolt, 3/8" x 2-1/4"	2				
33	2-9040	Clamp, Hose, .46-54 ST	2				
34	90-4008	Washer, 5/16" Lock (3030)	4				
	90-400910	Washer, 7/16" Lock, Split (3040, 3532, 3735)	4				
35	4-011184	Injector, Detergent Assy, Non-Adj, 3-5 GPM, 0.083	1				

## EXPLODED VIEW PARTS LIST - 3030, 3040, 3532, 3735

ITEM	PART NO.	DESCRIPTION	QTY	ITEM	PART NO.	DESCRIPTION	QTY
58	4-12803000	Nozzle, SAQCMEG 0003, Red (304037)	1	73	5-32080	Unloader, AL-VRT 607 w/Easy Start (3040)	1
	4-128-3015	Nozzle, SAQCMEG 1503 Yellow (304037)	1	74	95-07101216B	Block, Inloader, 3/8 x 3/8 Brass (3040)	1
	4-12803025	Nozzle, SAQCMEG 2503 Green (304037)	1	75	90-1020	Bolt, 3/8" x 2", NC HH (3040)	2
	4-12803040	Nozzle, SAQCMEG 4003 White (304037)	1	76	90-4002	Washer, 3/8" SAE, Flat (3040)	2
59	90-4000	Washer, 1/4" Flat	10	77	90-2002	Nut, 3/8" ESNA NC (304037)	2
60	90-2000	Nut, 1/4" ESNA	8	78	2-0006	Nipple, 3/8" Hex Steel (3040)	1
61	90-4001	Washer, 5/16" Flat	4	79	2-1060	Elbow, 3/8 x 1/2 JIC (3040)	1
62	90-2001	Nut, 5/16" ESNA	4	80	2-1042	Street Tee, 1/2" (3040)	1
63	90-4000	Washer, 1/4"	3	81	2-1053	Nipple, 1/2 x 1/2 JIC (3040)	1
64	90-1030	Bolt, 8mm x 30mm Hex(3030)	4	82	4-02110000	Hose, Push-on 1/2" (3040)	15"
	90-10343	Bolt, 10mm x 20mm (3040, 3532, 3735)	4	83	9.800-049.0	Label, Cleaning Solution	1
65	2-1037	Tee, 1/4" Branch (3030, 3532, 3735)	1	84	4-16540	Nozzle, Compl, Detergent	1
66	90-4001	Washer, 5/16" Flat (3030)	4	85	90-4005	Washer, 5/8" Flat	2
	90-4002	Washer, 3/8" Flat (3040, 3532, 3735)	4	86	2-1105	Swivel, 1/2" JIC, Female, Push-On (3040)	2
67	2-1100	Adapter, 1/2" x 1/2"	1	87	95-07141121	Key, .247" Sqr. x 2.125"	1
68	2-1024	Elbow, 1/2" Street, Brass (3040)	1	88	11-01011	Label, Warning, Pictoral, Small	1
69	2-0053	Elbow, 1/2 JIC, 3/8, 90°(3040)	1				
70	4-02047920	Hose, 3/8" x 20", 5800, 2 Wire, Pressure Loop (3040)	1				
71	2-0051	Nipple, 1/2 JIC, 3/8 Pipe (3040)	1				
72	2-300816	Pump Protector, 3/8" PTP (3040)	1				

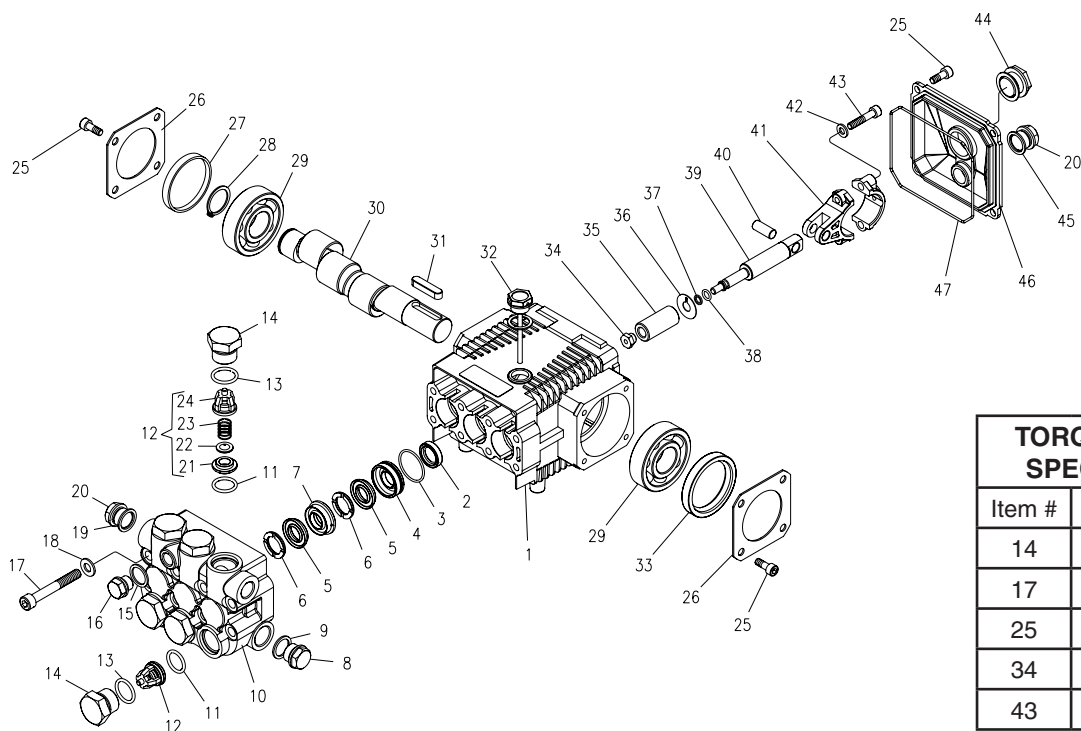
## HOSE & SPRAY GUN ASSEMBLY



## HOSE & SPRAY GUN ASSEMBLY PARTS LIST

ITEM	PART NO.	DESCRIPTION	QTY	ITEM	PART NO.	DESCRIPTION	QTY
1	4-0110321	Wand Assy., 35-1/2" Side Grip, w/Couplers, (BX)	1	5	4-020750C	Hose, 3/8" x 50', 2 Wire Pressure Flex w/Coupler (BX-373539)	1
	4-0110322	Wand Assy., Side Grip W/1/4" Coupler 35-1/2" (BG)	1		4-02033450C	Hose, 3/8" x 50', 1 Wire Tuff Skin, w/Coupler (BX-252739, BX-282039, BX-303039)	1
2	4-012402	Spray Gun Assy. (BX)	1	6	2-2002	Coupler, 3/8" Female, Brass	1
	4-01246	Spray Gun, AP 1000 (BG)	1	7	3-12021	Injector, Detergent, Non-Adjust, 3-5 GPM, .083	1
3	2-2000	Coupler, 1/4" Female, Brass (BG)	1	8	2-9040	Clamp, Hose	2
		(BX)	2	9	4-02080000	Tube, 1/4" x 1/2" Clear Vinyl	6 ft.
4	Nozzle, Please See Exploded Views For Sizes			10	2-1904	Strainer	1
5	4-02093450BC	Hose, 3/8" x 50', 1 Wire Blue, w/Coupler (BG-252737, BG-282037, BG-303037)	1				
	4-02073450RC	Hose, 3/8" x 50', 2 Wire Blue, w/Coupler (BG-304037, BG-353237, BG-373537)	1				

## D SERIES PUMP EXPLODED VIEW



TORQUE SPECS	
Item #	Ft.-lbs
14	65
17	22
25	8
34	9
43	13

## D SERIES PUMP EXPLODED VIEW PARTS LIST

ITEM	PART NO.	DESCRIPTION	QTY	ITEM	PART NO.	DESCRIPTION	QTY
1	70-020292	Crankcase	1	20	70-160117	Brass Plug 3/8	2
2*	See Kits Below	Plunger Oil Seal	3	25	70-180112	Screw	12
3*	70-060181	O-Ring Ø1.78 x 28.30	3	26	70-020318	Bearing Cover	2
4*	70-120131	Pressure Ring 15mm	3	27	70-020502	Bearing Seal	1
5*	See Kits Below	"V" Seal, 15mm	6	28	70-150003	Snap Ring	1
6*	70-030048	Support Ring 15mm	6	29	70-021300	Ball Bearing	2
7*	70-030049	Intermed. Ring 15mm	3	30	70-000605	Crankshaft	1
8	70-160120	Brass Plug 1/2"	1	31	70-020604	Crankshaft Key	1
9	70-060307	Copper Washer 1/2"	1	32	70-160012	Oil Dipstick	1
10	70-160228	Manifold Housing	1	33	70-000110	Crankshaft Seal	1
11*	70-060155	O-Ring Ø1.78 x 15.54	6	34*	70-030211	Plunger Nut	3
12*	See Kits Below	Valve Assembly	6	35*	70-120023	Plunger, 15mm	3
13*	70-060122	O-Ring Ø2.62 x 18.77	6	36*	70-140027	Copper Spacer	3
14	70-160147	Valve Plug	6	37*	70-060130	O-Ring Ø1.78 x 5.28	3
15	70-060308	Copper Washer 1/4	1	38*	70-000913	Teflon Ring	3
16	70-160121	Brass Plug G1/4	1	39*	70-000320	Plunger Rod	3
17	70-180118	Manifold Stud Bolt	8	40	70-150204	Connecting Rod Pin	3
18	70-140001	Washer	8	41	70-010008	Connecting Rod	3
19	70-060306	Copper Washer 3/8	1	42	70-140102	Spring Washer	6

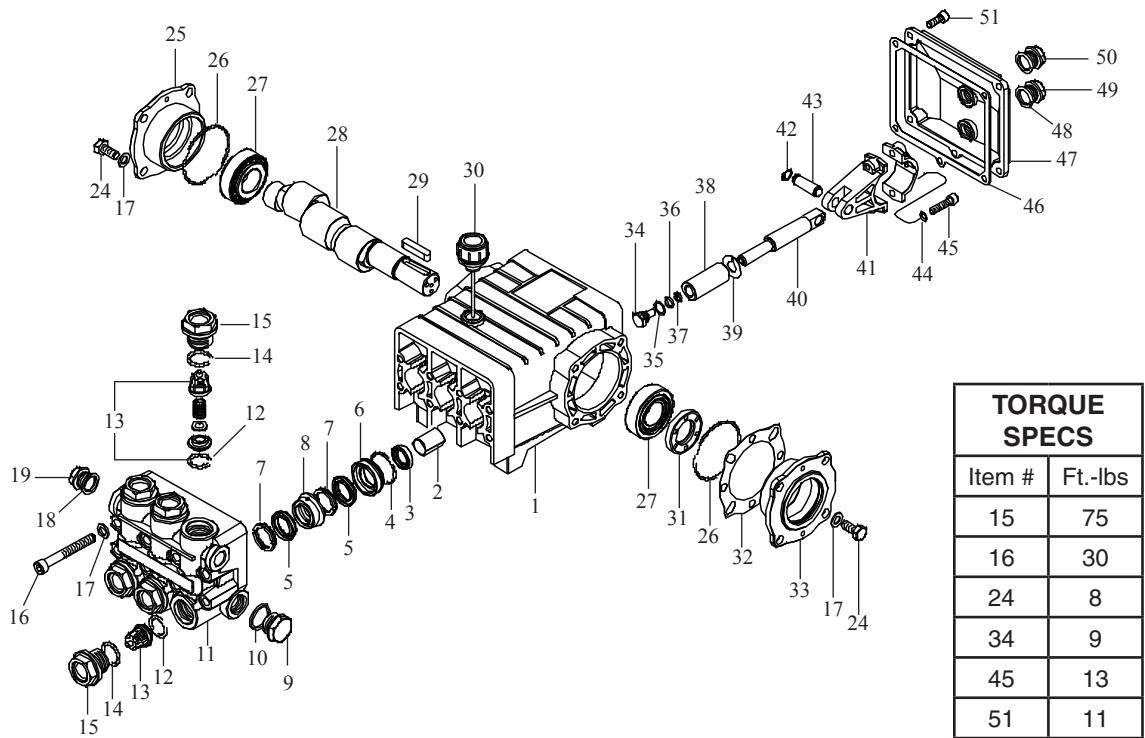
## D SERIES PUMP EXPLODED VIEW PARTS LIST (CONT.)

ITEM	PART NO.	DESCRIPTION	QTY
43	70-180132	Connecting Rod Screw	6
44	70-070005	Sight Glass	1
45	70-060302	Gasket	1
46	70-020352	Crankcase Cover	1
47	70-060104	O-Ring Ø2.62 x 107.6	2

\* Available in kit (See below)

REPAIR KIT NUMBER	70-261408	70-261409	70-261404	70-260028	70-260826
KIT DESCRIPTION	*Plunger Seal 15mm	**Complete Seal Packing	Plunger 15mm	Complete Valve	Plunger Oil Seals
ITEM NUMBERS INCLUDED	3, 5, 6	2, 3, 4, 5, 6, 7	34, 35, 36, 37, 38	11, 12, 13	2
NUMBER OF CYLINDERS KIT WILL SERVICE	3	1	1	6	3

## M SERIES PUMP EXPLODED VIEW



TORQUE SPECS	
Item #	Ft.-lbs
15	75
16	30
24	8
34	9
45	13
51	11

## M SERIES PUMP EXPLODED VIEW PARTS LIST

ITEM	PART NO.	DESCRIPTION	QTY	ITEM	PART NO.	DESCRIPTION	QTY
1	70-020209	Crankcase	1	12*	70-060119	O-Ring Ø2.62 x 17.13	6
2	70-060201	Plunger Guide	3	13*	Kit 70-07	Valve Assembly	6
3*	Kit 70-08	Plunger Oil Seal	3	14*	70-060165	O-Ring Ø2.62 x 20.29	6
4*	70-060107	O-Ring Ø1.78 x 31,47	3	15	70-160130	Valve Plug	6
5*	Kits 70-01,03 "V" Seal (4035)		6	16	70-180103	Manifold Stud Bolt	8
	Kits 70-02,04 "V" Seal (4030, 5030)		6	17	70-140001	Washer	16
6*	70-120106	Pressure Ring 18mm (4035)	3	18	70-060306	Copper Washer 3/8	1
	70-120105	Pressure Ring 20mm (4030, 5030)	3	19	70-160117	Brass Plug 3/8	1
7*	70-030007	Support Ring 18mm (4035)	6	24	70-180203	Hexagonal Screw	8
	70-030009	Support Ring 20mm (4030, 5030)	6	25	70-050051	Closed Bearing Housing	1
8*	70-030011	Intermed. Ring 18mm (4035)	3	26	70-060163	O-Ring Ø1.78 x 60.05	2
	70-030010	Intermed. Ring 20mm (4030, 5030)	3	27	70-020003	Tapered Roller Bearing	2
9	70-160120	Brass Plug 1/2"	1	28	70-000485	Crankshaft (5030)	1
10	70-060307	Copper Washer 1/2"	1		70-000486	Crankshaft (4030,4035/H)	1
11	70-160216	Manifold Head	1	29	70-020604	Crankshaft Key	1
				30	70-160006	Oil Dip Stick	1
				31	70-000102	Crankshaft Seal	1
				32	70-030102	Shim	2
				33	70-050050	Bearing Housing	1
				34*	70-180001	Plunger Bolt	3

## M SERIES PUMP EXPLODED VIEW PARTS LIST (CONT.)

ITEM	PART NO.	DESCRIPTION	QTY
35*	70-140012	Copper Spacer	3
36*	70-060103	O-Ring Ø1.78 x 7.66	3
37*	70-000904	Teflon Ring	3
38*	Kit 70-05	Plunger (4035, 4035H)	3
	Kit 70-06	Plunger (4030, 5030)	3
39*	70-140015	Copper Spacer	3
40	70-000301	Plunger Rod	3
41	70-010001	Connecting Rod	3
42	70-150001	Snap Ring	6
43	70-150201	Connecting Rod Pin	3
44	70-140102	Spring Washer	6
45	70-180105	Connecting Rod Screw	6
46	70-060009	Cover Gasket	1
47	70-020350	Crankcase Cover	1
48	70-060302	Gasket, G3/8	1
49	70-160117	Brass Plug 3/8	1
50	70-070001	Sight Glass G3/8	1
51	70-180112	Cover Screw	5
52	70-000929	▲ Bach Ring 1/2" (4035H)	3

\* Available in kit (See below)    ▲ Not Shown

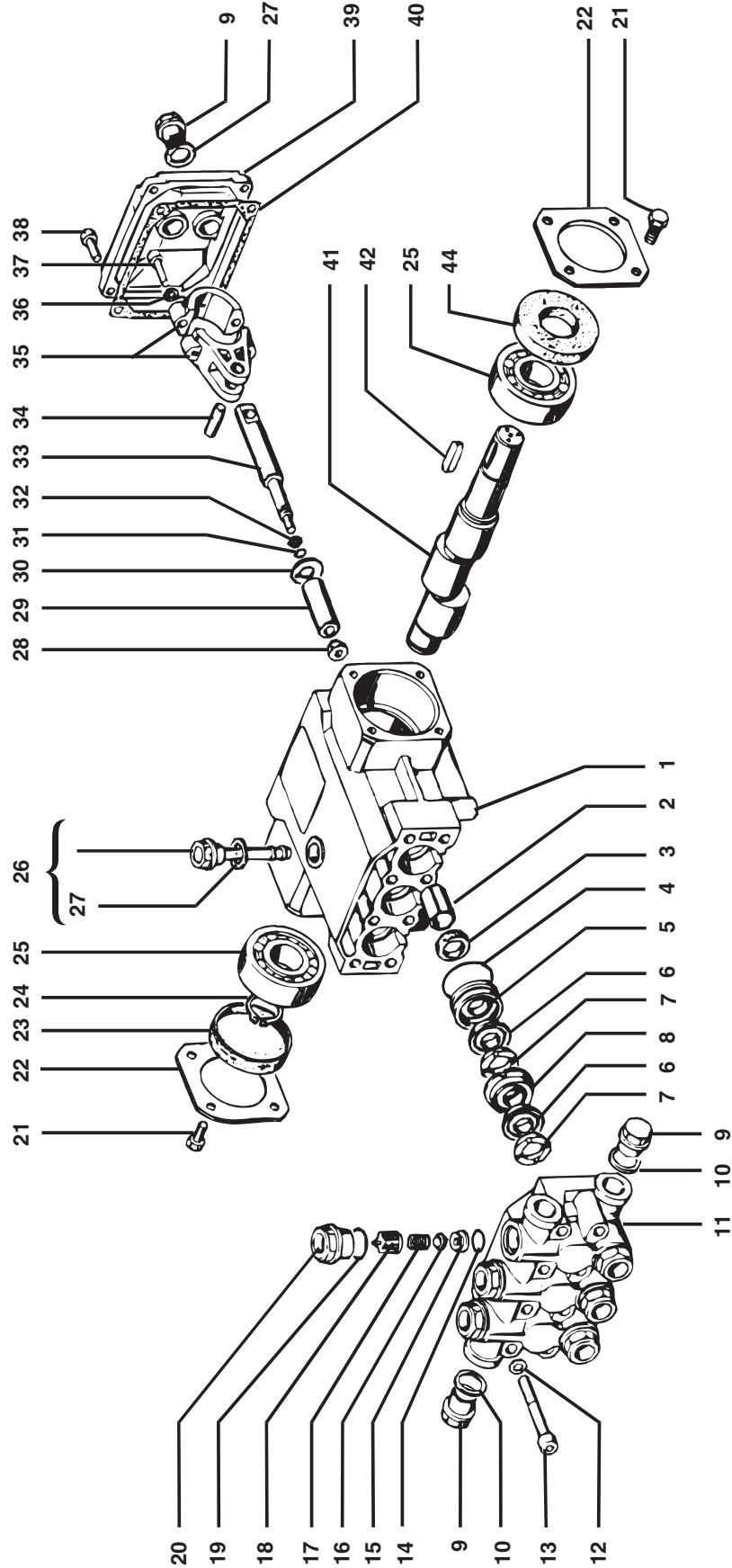
REPAIR KIT NUMBER	70-261216	70-260821	70-260824	70-261210	70-260810	70-260825
KIT DESCRIPTION	*Plunger Seal 4035	Plunger Seal 4030 5030	Plunger Seal 3540	**Complete Seal Packing 4035	Complete Seal Packing 4030 5030	Complete Seal Packing 3540
ITEM NUMBERS INCLUDED	4, 5, 7	4, 5, 7	4, 5, 7	3, 4, 5, 6, 7, 8	3, 4, 5, 6, 7, 8	3, 4, 5, 6, 7, 8
NUMBER OF CYLINDERS KIT WILL SERVICE	3	3	3	1	1	1

\* For 4035H High Heat Packings, Use 70-261212    \*\*For 4035H High Heat Packings, Use 70-261213

REPAIR KIT NUMBER	70-261217	70-260822	70-260823	70-260007	<b>70-260027</b>
KIT DESCRIPTION	Plunger GM-4035 4035H	Plunger 4030 5030	Plunger 3540	Complete Valve	Plunger Oil Seals
ITEM NUMBERS INCLUDED	34, 35, 36, 37, 38, 39	34, 35, 36, 37, 38, 39	34, 35, 36, 37, 38, 39	12, 13, 14	3
NUMBER OF CYLINDERS KIT WILL SERVICE	1	1	1	6	3

# C SERIES PUMP EXPLODED VIEW

5-1800





## C SERIES PUMP EXPLODED VIEW PARTS LIST

ITEM	PART NO.	DESCRIPTION	QTY
1	630683	Crankcase	1
2	860361	Plunger Guide	3
3		❖ Plunger Seal	3
4		◆ Pressure Ring O-Ring	3
5		Pressure Ring 18 mm	3
6		◆ V-Sleeve 18 mm	6
7		◆ Support Ring 18 mm	6
8		Intermediate Ring 18 mm	3
9	915630	Plug 3/8"	3
10	780565	Copper Washer 3/8"	2
11	783854	Manifold Housing	1
12	780560	Washer	8
13	875571	Manifold Stud Bolt	1
14		★ Valve Seat O-Ring	6
15		★ Valve Seat	6
16		★ Valve Plate	6
17		★ Valve Spring	6
18		★ Valve Cage	6
19	926657	Manifold Plug O-Ring	6
20	823335	Manifold Plug	6
21	875572	Hex Screw	8
22	615488	Bearing Cover	2
23	615489	Bearing Protector W/O Sight Glass	1
	878575	Sight Glass	1
	818575	O-Ring for Sight Glass	1
24	860141	Crankshaft Snap Ring	1
25	808895	Ball Bearing	2
26	814210	Oil Dipstick	1
27	855893	Gasket 3/8"	3
28		❖ Plunger Nut	3
29		❖ Ceramic Plunger Sleeve 18 mm	3
30		❖ Copper Spacer	3
31		❖ Plunger Rod O-Ring	3
32		❖ Teflon Ring	3
33	829669	Plunger Rod	3
34	860142	Connecting Rod Pin	3
35	630688	Connecting Rod Assembly	3
36	780564	Spring Washer	6
37	878197	Allen Screw	6
38	735313	Crankcase Cover Allen Screw	4
39	632020	Crankshaft Seal	1
40	827324	Crankcase Cover	1
41	855889	Crankcase Cover Gasket	1
42	632000	Crankshaft	1

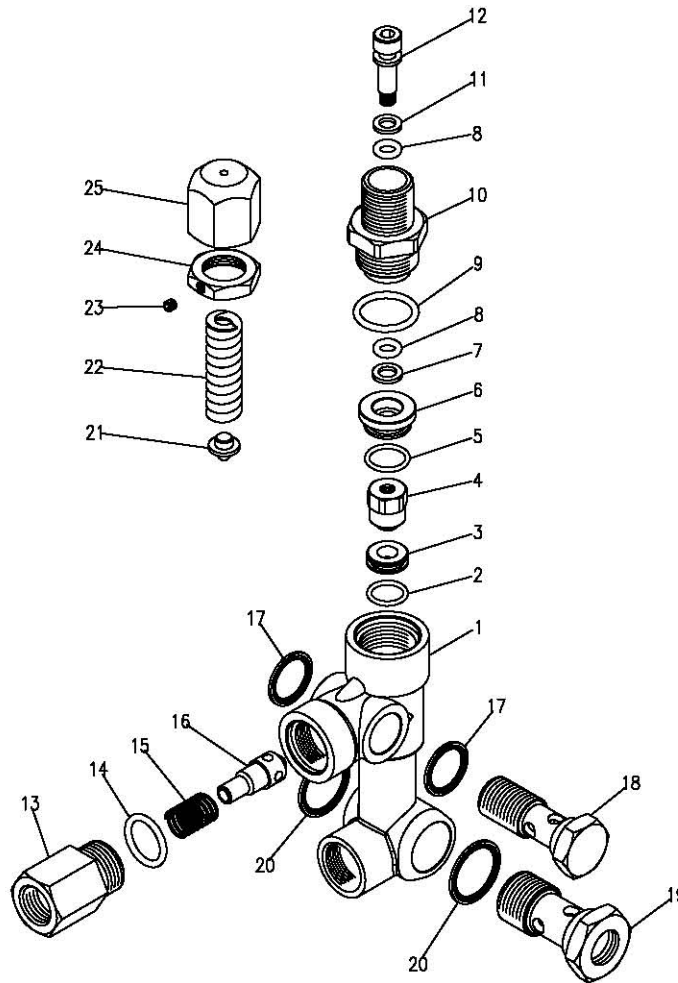
**C SERIES EXPLODED VIEW PARTS LIST (CONT.)**

ITEM	PART NO.	DESCRIPTION	QTY
43	877249	Pump Shaft Key	1
<b>REPLACEMENT PARTS</b>			
▼	753106	Complete Seal Packing Kit 18 mm	3
◆	877672	Seal Packing Kit 18 mm	1
★	753039	Complete Valve Assembly Kit	6
❖	753107	Ceramic Sleeve Kit 18 mm	3
❖	877655	Plunger Seal Kit	1

## VBA35 UNLOADER EXPLODED VIEW

5-3329

5-3330



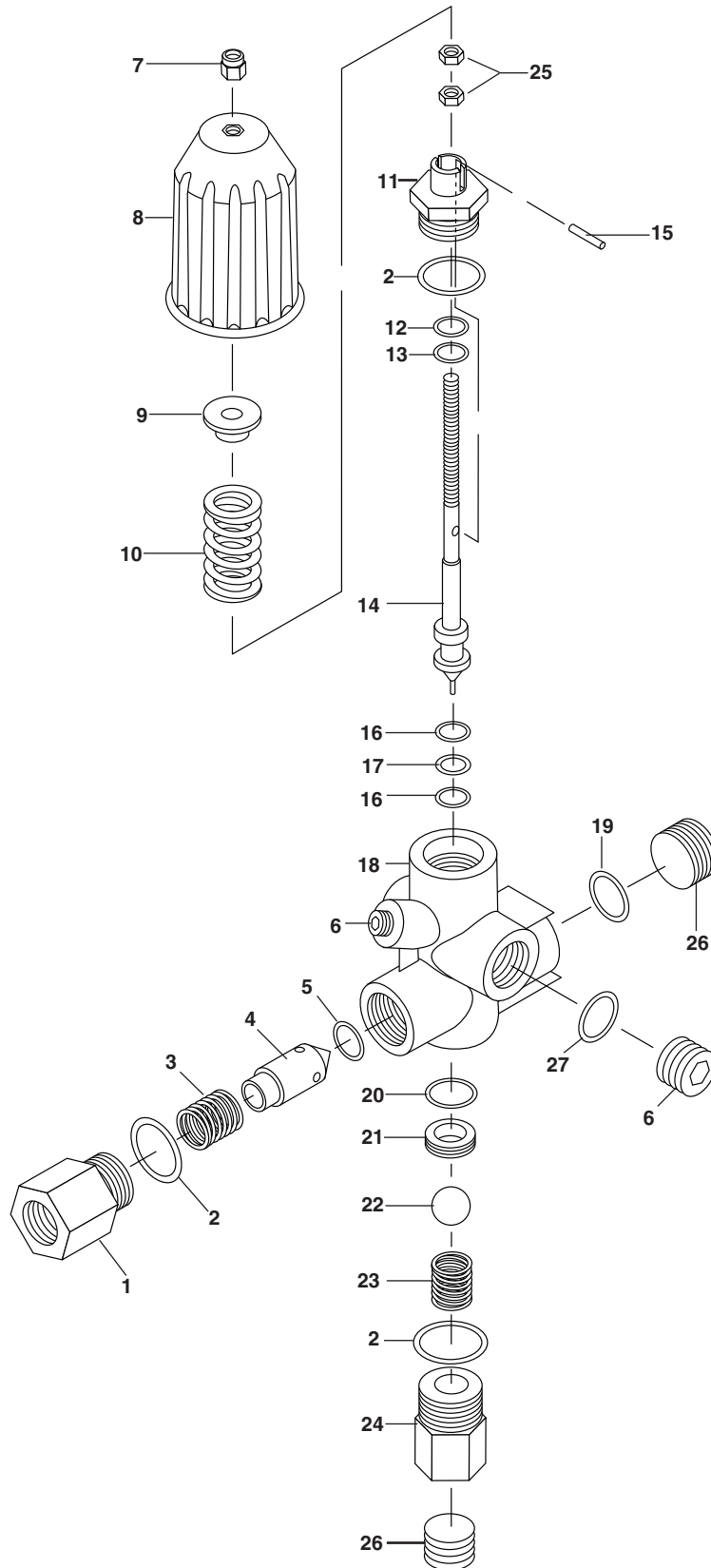
### VBA35 UNLOADER EXPLODED VIEW PARTS LIST

ITEM	PART NO.	DESCRIPTION	QTY	ITEM	PART NO.	DESCRIPTION	QTY
1	70-020452	Body Valve (M/S)	1	16	70-110207	Poppet <b>KIT B</b>	1
	70-020444	Body Valve (G/E/D)	1	17	70-140802	Seal Washer, 3/8"	2
2	70-060141	O-Ring <b>Kit A, C</b>	1	18	70-180004	Hollow Bolt, 3/8"	1
3	70-150316	Seat <b>Kit C</b>	1	19	70-180008	Hollow Bolt, 1/2"	1
4	70-450401	Ball, Sub-Assy <b>Kit C</b>	1	20	70-140803	Seal Washer, 1/2"	2
5	70-060114	O-Ring <b>KIT A</b>	1	21	70-120212	Plate <b>KIT C</b>	1
6	70-010111	Guide Bushing	1	22	70-090037	Spring <b>KIT C</b>	1
7	70-000919	Teflon Ring <b>KIT A</b>	1	23	70-180304	Set Screw	1
8	70-060170	O-Ring <b>KIT A</b>	2	24	70-030209	Nut	1
9	70-060162	O-Ring <b>KIT A</b>	1	25	70-090520	Brass Handle	1
10	70-140734	Connector	1				
11	70-000918	Teflon Ring <b>KIT A</b>	1	<b>KIT A</b>	70-262813	O-Ring Repair Kit	
12	70-120611	Stem <b>KIT C</b>	1	<b>KIT B</b>	70-262814	Outlet Kit	
13	70-140702	Connector, Female	1	<b>KIT C</b>	70-262815	Stem Repair Kit	
14	70-060119	O-Ring <b>KIT A, B</b>	1				
15	70-090004	Spring <b>KIT B</b>	1				

# UNLOADER EXPLODED VIEW

AR - AL 607 #5-3208

7-8 Gpm, 4200 PSI



## UNLOADER EXPLODED VIEW PARTS LIST

ITEM	PART NO.	DESCRIPTION	QTY
1	83-005150010	Check Connector	1
2	83-005060108	‡ O-Ring 2068	3
3	83-005100002	Shutter Spring	1
4	83-004120000	Shutter	1
5	83-004060109	‡ O-Ring 631290 SH	1
6	83-005170102	1/4 G Plug	1
7	83-005030101	M8 Lock Nut	1
8	83-005100100	Knob	1
9	83-005150101	Washer	1
10	83-005400403	4000 PSI Spring (Black)	1
11	83-005150011	Stem Guide Union	1
12	83-005000102	‡ Back Ring	2
13	83-005060106	‡ O-Ring 2031	1
14	83-005160502	Stem AL606	1
	83-005160514	Stem AL607	1
15	83-005106301	Spring Pin	1
16	83-005000101	Back Ring	2
17	83-005060101	‡ O-Ring 2050	1
18	83-005020003	Body By Pass 1/4 G-F	1
	83-005020026	Body By Pass 3/8 G-F	1
19	83-005060200	3/8 Gasket	1
20	83-001060129	‡ O-Ring 2043	1
21	83-001060200	‡ Seat	1
22	83-001160000	‡ Ball	1
23	83-005100003	Ball Spring	1
24	83-005150009	Seat Union	1
25	83-005030200	M8 Nut	2
26	83-005170101	3/8G Plug	2
27	83-005060201	Gasket	1
	<b>83-005650200</b>	<b>‡ Repair Kit</b>	

### ADJUSTING

Start with the valve set at its lowest spring tension. Raise pressure by turning adjusting knob clockwise until pressure is at the desired position. Do not over-tighten.

Open and close spray gun to be sure pressure is correct. Raise or lower pressure by adjusting the knob.

Do not by-pass more than 5 minutes when by-passing to the suction side of the pump.

## SPECIFICATIONS

Model	GPM	Pressure	Nozzle		Pump	Unloader	Engine	Engine	Pump	Pump Pulley
		(PSI)	Size	Pump	Part No.	Part No.	HP	Part #	Pulley	Part No.
BX-282039	2.8	2000	4.0	HC340R	5-1800	5-3309	5.5	5-0104	BK80H	5-40408001
BX-252739	2.5	2700	3.0	HD3030	5-1209	5-3329	6.5	5-01041	BK80H	5-40408001
BX-303039	3.0	3000	3.5	HD3030	5-1209	5-3329	9	5-0102	2BK80H	5-40508001
BX-373539	3.7	3500	4.0	HM4035	5-1220	5-3330	13	5-010721	2BK90H	5-40509001
BG-282037	2.8	2000	4.0	SD3030	5-1409	5-3329	5.5	5-0104	AK74H	5-40107401
BG-252737	2.5	2700	3.0	SD3030	5-1409	5-3329	6.5	5-01041	BK80H	5-40408001
BG-303037	3.0	3000	3.5	SD3030	5-1409	5-3329	9	5-0102	2BK80H	5-40508001
BG-304037	3.07	4000	3.0	SM3540	5-1412	5-32080	13	5-010721	2BK80H	5-40508001
BG-353237	3.5	3200	4.0	SM4035	5-1420	5-3330	13	5-010721	2BK90H	5-40509001
BG-373537	3.7	3500	4.0	SM4035	5-1420	5-3330	13	5-010721	2BK90H	5-40509001

## SPECIFICATIONS

<b>Model</b>	<b>Pump Bushing</b>	<b>Bushing Part No.</b>	<b>Engine Pulley</b>	<b>Pulley Part No.</b>	<b>Engine Bushing</b>	<b>Bushing Part No.</b>	<b>Belt Size</b>	<b>Belt Part No.</b>
BX-282039	24MM	5-512024	BK27x3/4	5-40402775	n/a	n/a	BX30	5-604030
BX-252739	24MM	5-512024	BK36H	5-40403601	Hx3/4"	5-511075	BX32	5-604032
BX-303039	24MM	5-512024	2BK40	5-40504001	Hx1"	5-511100	BX38 (2)	5-604038
BX-373539	24MM	5-512024	2BK32H	5-40503201	Hx1"	5-511100	BX39 (2)	5-604039
BG-282037	24MM	5-512024	AK39H	5-40103901	Hx3/4"	5-511075	AX33	5-602033
BG-252737	24MM	5-512024	BK36H	5-40403601	Hx3/4"	5-511075	BX32	5-604032
BG-303037	24MM	5-512024	2BK40H	5-40504001	Hx1"	5-511100	BX38 (2)	5-604038
BG-304037	24MM	5-512024	2BK40H	5-40504001	Hx1"	5-511100	BX38 (2)	5-604038
BG-353237	24MM	5-512024	2BK32H	5-40503201	Hx1"	5-511100	BX39 (2)	5-604039
BG-373537	24MM	5-512024	2BK32H	5-40503201	Hx1"	5-511100	BX39 (2)	5-604039







## SHARK LIMITED NEW PRODUCT WARRANTY

### PRESSURE WASHERS

#### WHAT THIS WARRANTY COVERS

All SHARK PRESSURE WASHERS are warranted by SHARK to the original purchaser to be free from defects in materials and workmanship under normal use, for the periods specified below. This Limited Warranty is subject to the exclusions shown below, is calculated from the date of the original purchase, and applies to the original components only. Any parts replaced under this warranty will assume the remainder of the part's warranty period. This warranty applies to the original purchaser and is not transferable.

#### LIMITED LIFETIME PARTS WARRANTY:

Components manufactured by SHARK, such as frames, handles, and belt guards. Forged brass pump manifold. All heating coils will have a three year warranty. Internal components (excluding oil seals) on the oil-end of all pressure washer pumps will have a seven year warranty.

#### ONE YEAR PARTS AND 90 DAYS LABOR WARRANTY:

All other components, excluding normal wear items as described below, will be warranted for one year on parts. Warranty on these parts will be for one year regardless of the duration of the original component manufacturer's part warranty.

#### WARRANTY PROVIDED BY OTHER MANUFACTURERS:

Motors, generators, and engines, which are warranted by their respective manufacturers, are serviced through these manufacturers' local authorized service centers. SHARK cannot provide warranty on these items.

#### WHAT THIS WARRANTY DOES NOT COVER

This warranty does not cover the following items:

1. Normal wear items, such as nozzles, guns, discharge hoses, wands, quick couplers, seals, filters, gaskets, O-rings, packings, pistons, pump valve assemblies, strainers, belts, brushes, rupture disks, fuses, pump protectors.
2. Damage or malfunctions resulting from accidents, abuse, modifications, alterations, incorrect installation, improper servicing, failure to follow manufacturer's maintenance instructions, or use of the equipment beyond its stated usage specifications as contained in the operator's manual.
3. Damage due to freezing, chemical deterioration, scale buildup, rust, corrosion, or thermal expansion.
4. Damage to components from fluctuations in electrical or water supply.
5. Normal maintenance service, including adjustments, fuel system cleaning, and clearing of obstructions.
6. Transportation to service center, shop labor charges, field labor charges, or freight damage.

#### WHAT YOU MUST DO TO OBTAIN WARRANTY SERVICE

While not required for warranty service, we request that you register your SHARK pressure washer by returning the completed registration card. In order to obtain warranty service on items, you must return the product to an Authorized SHARK Dealer, freight prepaid, with proof of purchase, within the applicable warranty period. If the product is permanently installed, you must notify your Authorized SHARK Dealer of the defect. The Authorized Dealer will file a claim, which must subsequently verify the defect. In most cases, the part must be returned to SHARK freight prepaid with the claim. For warranty service on components warranted by other manufacturers, the Authorized Dealer can help you obtain warranty service through these manufacturers' local authorized service centers.

#### LIMITATION OF LIABILITY

SHARK'S liability for special, incidental, or consequential damages is expressly disclaimed. In no event shall SHARK'S liability exceed the purchase price of the product in question. SHARK makes every effort to ensure that all illustrations and specifications are correct, however, these do not imply a warranty that the product is merchantable or fit for a particular purpose, or that the product will actually conform to the illustrations and specifications. **THE WARRANTY CONTAINED HEREIN IS IN LIEU OF ALL OTHER WARRANTIES, EXPRESS OR IMPLIED, INCLUDING ANY IMPLIED WARRANTY OF FITNESS FOR A PARTICULAR PURPOSE.** SHARK does not authorize any other party, including authorized Dealers, to make any representation or promise on behalf of SHARK, or to modify the terms, conditions, or limitations in any way. It is the buyer's responsibility to ensure that the installation and use of SHARK products conforms to local codes. While SHARK attempts to assure that its products meet national codes, it cannot be responsible for how the customer chooses to use or install the product.

SHARK PRESSURE WASHERS  
1-800-771-1881 [www.shark-pw.com](http://www.shark-pw.com)



Form #97-707 • Revised 7/06 • Printed in U.S.A.