

Shark®

WWW.SHARKCLEAN.COM

NV355 Series

Owner's Guide



IMPORTANT SAFETY INSTRUCTIONS

For Household Use Only

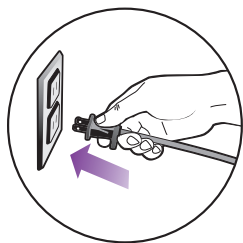
WHEN USING AN ELECTRICAL APPLIANCE, BASIC SAFETY PRECAUTIONS SHOULD ALWAYS BE OBSERVED, INCLUDING THE FOLLOWING:

READ ALL INSTRUCTIONS BEFORE USING YOUR SHARK® NAVIGATOR™ LIFT-AWAY® PRO.

POLARIZED PLUG:

To reduce the risk of electric shock, this appliance has a polarized plug (one blade is wider than the other). As a safety feature, this plug will fit into a polarized outlet only one way. If the plug does not fit fully into the outlet, reverse the plug. If it still does not fit, contact a qualified electrician.

DO NOT force into outlet or try to modify to fit.



⚠ WARNING: To reduce the risk of electric shock or injury, do not use outdoors or on wet surfaces.

WARNING:

TO REDUCE THE RISK OF FIRE, ELECTRIC SHOCK OR INJURY:

GENERAL ELECTRICAL SAFETY:

1. Unplug from electrical outlet when not in use and before servicing.
2. **DO NOT** use vacuum with a damaged cord or plug. If appliance is not working as it should, has been dropped, damaged, left outdoors, or dropped into water, return it to EURO-PRO Operating LLC for examination, repair, or adjustment.
3. **DO NOT** pull or carry vacuum by the cord.
4. **DO NOT** unplug by pulling on cord; to unplug, grasp the plug, not the cord.
5. **DO NOT** handle plug or appliance with wet hands.
6. **DO NOT** run the vacuum over the power cord.
7. **DO NOT** use the cord as a handle.
8. **DO NOT** close a door on the cord.
9. **DO NOT** pull cord around sharp corners. The use of an extension cord is not recommended.
10. **DO NOT** leave appliance when plugged in.
11. Keep cord away from heated surfaces.
12. Turn off all controls before plugging or unplugging vacuum cleaner.
13. Always turn off this appliance before connecting or disconnecting motorized nozzle.
14. Store your appliance with the power cord secured around the two cord holders-as shown in the storage instructions.



HOSE ATTACHMENTS:

1. **DO NOT** use if air flow is restricted; if the air paths, the hose, or the accessories become blocked, turn the vacuum cleaner off. Remove all obstructions before you turn on the unit again.
2. Keep the end of the hose and accessory openings away from face and body.
3. Keep cleaning tools and hose suction openings away from hair, face, fingers, uncovered feet, or loose clothing.
4. Only use manufacturer's recommended attachments.

GENERAL USE:

1. Use only as described in this manual.
2. **DO NOT** put any objects into openings. **DO NOT** use with any opening blocked; keep free of dust, lint, hair, and anything that may reduce air flow.
3. Keep your work area well lit.
4. Keep the vacuum moving over the carpet surface at all times to avoid damaging the carpet fibers.
5. **DO NOT** place vacuum on unstable surfaces such as chairs or tables.
6. **DO NOT** allow young children to operate the vacuum or use as a toy. Close attention is necessary when used by or near children.
7. **DO NOT** use vacuum cleaner if it has been dropped, damaged, left outdoors, or submerged in water. Return to EURO-PRO Operating LLC for examination, repair, or adjustment.
8. **DO NOT** use without dust cup and/or filters in place.

DUST CUP/FILTERS/ACCESSORIES:

Before turning on the vacuum:

1. Make sure that all filters are thoroughly dry after routine cleaning.
2. Make sure that dust cup and all filters are in place after routine maintenance.
3. Make sure accessories are free of blockages.
4. Only use filters and accessories provided by EURO-PRO Operating LLC. [Failure to do so will void the warranty.]

GENERAL CLEANING:

1. **DO NOT** pick up large-sized objects.
2. **DO NOT** pick up hard or sharp objects such as glass, nails, screws or coins that could damage the vacuum cleaner.
3. **DO NOT** pick up smoking or burning objects such as hot coals, cigarette butts, or matches.
4. **DO NOT** pick up flammable or combustible materials such as lighter fluid, gasoline, or kerosene or use vacuum in areas where they may be present.
5. **DO NOT** pick up toxic solutions such as chlorine bleach, ammonia, or drain cleaner.
6. **DO NOT** use in an enclosed space where vapors are present from paint, paint thinner, moth-proofing substances, flammable dust or other explosive or toxic materials.
7. **DO NOT** vacuum up any liquids.
8. **DO NOT** immerse vacuum cleaner in water or other liquids.
9. **DO NOT** use outdoors or on wet surfaces; use only on dry surfaces.
10. Use extra care when cleaning on stairs.

SAVE THESE INSTRUCTIONS

This manual covers model numbers:

NV355

NV356E

NV356K

NV357

NV355CS

NV356KCS

TECHNICAL SPECIFICATIONS

Voltage: 120V., 60Hz

Watts: 1200W

Amps: 10A

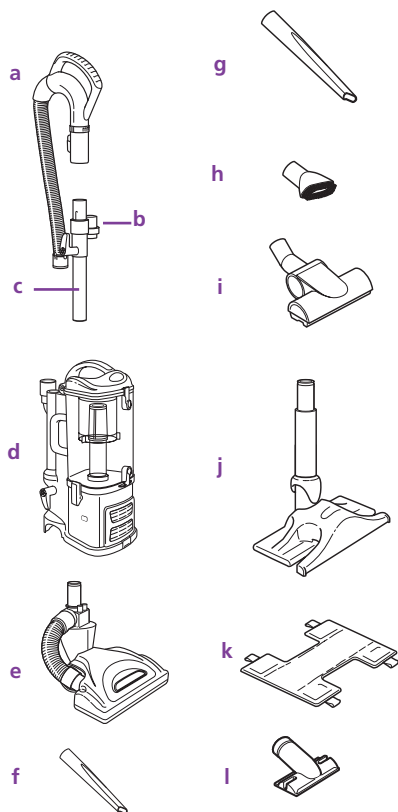


Contents

Thank you for
purchasing
the **Shark®**
Navigator™
Lift-Away®
Pro

| | |
|---------------------------------------------------------------|-----------|
| Getting Started | 6 |
| Mode 1: Upright Vac | 8 |
| Mode 2: Portable <i>Lift-Away</i>® | 10 |
| Above-Floor Cleaning | 11 |
| <i>Dust-Away</i>™ Hard Floor Attachment Use & Care | 12 |
| Storage and Maintenance | 13 |
| Maintenance | 14 |
| Emptying the Dust Cup | 14 |
| Cleaning the Pre-Motor Filters | 14 |
| Cleaning the Post-Motor HEPA Filter | 15 |
| Cleaning the Power Brush | 15 |
| Cleaning the Motorized Floor Brush | 16 |
| Checking for Blockages | 16 |
| Ordering Parts | 17 |
| Troubleshooting Guide | 18 |
| Warranty | 19 |

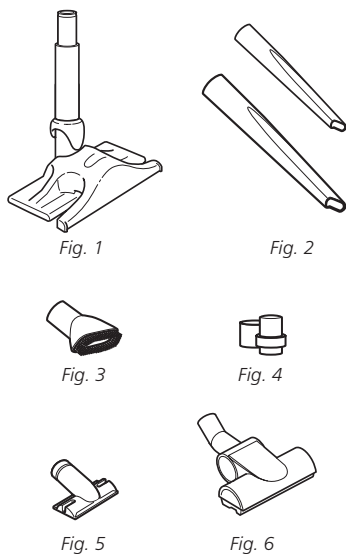
Getting Started



FIRST THING'S FIRST, YOU NEED TO KNOW WHAT'S IN THE BOX YOU JUST OPENED:

- a** Handle with Stretch Hose
- b** Accessory Holder
- c** Extension Wand
- d** Portable *Lift-Away*[®]
- e** Motorized Floor Brush*
- f** Crevice Tool
- g** 24" Crevice Tool (NV356E, NV356K & NV356KCS only)
- h** Dusting Brush
- i** Pet Power Brush
- j** *Dust-Away*[™] Hard Floor Attachment
- k** Dusting Pad
- l** Pet/Upholstery Tool (NV356K & NV356KCS only)

*NOTE: Motorized floor brush may differ from what is shown in the illustration above.



ACCESSORIES:

DUST-AWAY[™] HARD FLOOR ATTACHMENT

Specialized hard floor attachment vacuums up large particles, then re-usable micro-fiber pad traps extra fine dirt and dust for a superior bare floor clean.

(Fig. 1) Use only in Portable *Lift-Away*[®] mode.

CREVICE TOOL

Reach deep into narrow spaces and clean between cushions, under radiators and baseboards and in hard to reach crevices and corners. **(Fig. 2)**

DUSTING BRUSH

Dust shelves, lamp shades, window blinds, books, furniture and other upholstered household items.

(Fig. 3)

ACCESSORY HOLDER

Designed to hold the crevice tool and dusting brush.

For quick access to tools when vacuuming and cleaning around the house. **(Fig. 4)**

PET/UPHOLSTERY TOOL

Removes pet hair and dust from curtains and delicate fabrics. **(Fig. 5)** (NV356K & NV356KCS only)

PET POWER BRUSH

This unique tool was engineered for fast and easy removal of pet hair and ground in dirt from carpeted stairs and upholstery. **(Fig. 6)**

Your new *Shark® Navigator™ Lift-Away® Pro* vacuum cleaner can easily be configured into different cleaning modes to meet all your cleaning needs: upright vacuum and portable *Lift-Away®* - both with constant suction power.

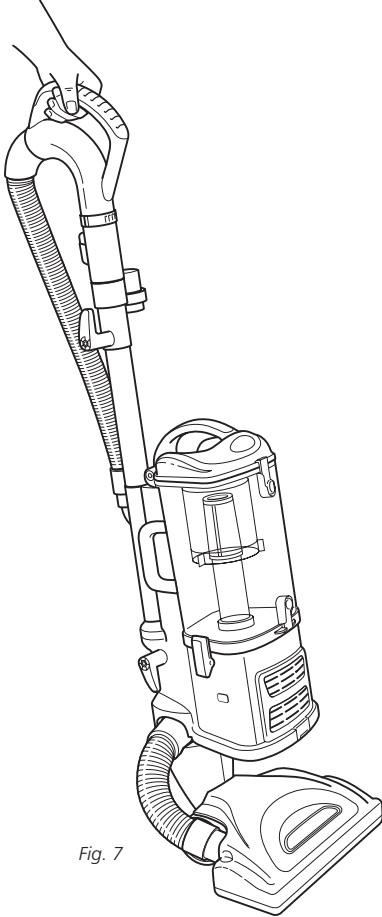


Fig. 7

MODES:

1 UPRIGHT VAC

Upright vacuuming - floors and carpets. **(Fig. 7)**

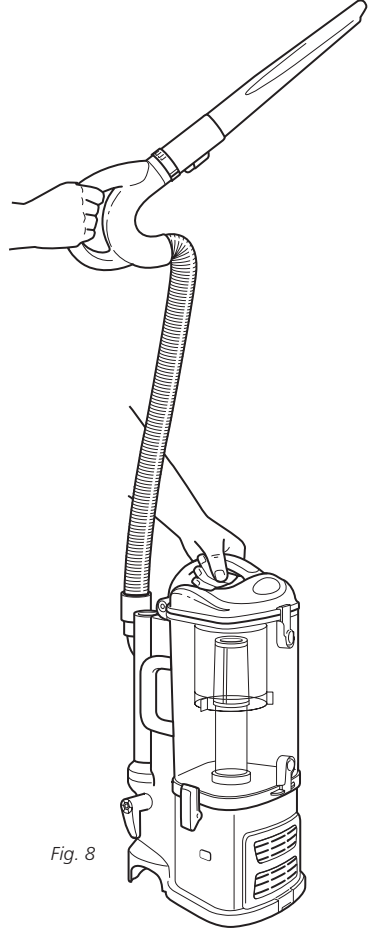


Fig. 8

2 PORTABLE LIFT-AWAY®

Take the *Lift-Away®* with you around the house to clean hard to reach places. **(Fig. 8)**

Mode 1: Upright Vac

- ⚠ To reduce the risk of electric shock, unplug the unit before assembling, adding or removing attachments or converting modes.
- ⚠ **WARNING:** The On/Off switch is on the top of the *Lift-Away*® canister. Always ensure the power is OFF ("O" position) before plugging and unplugging.

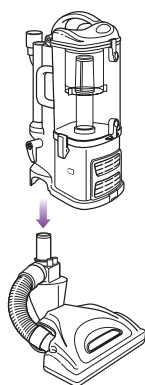


Fig. 9

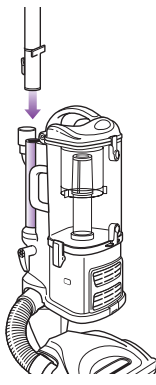


Fig. 10

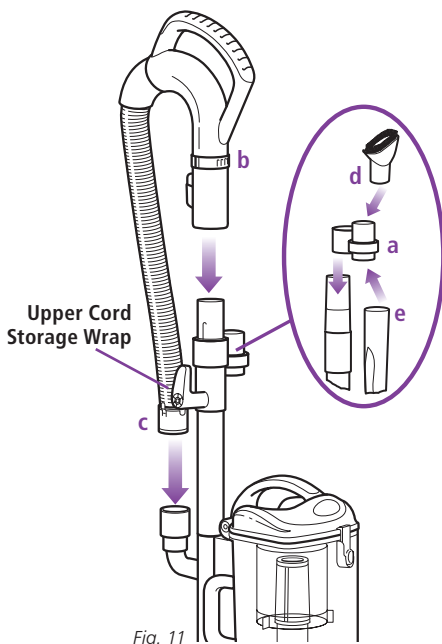


Fig. 11

TO ASSEMBLE:

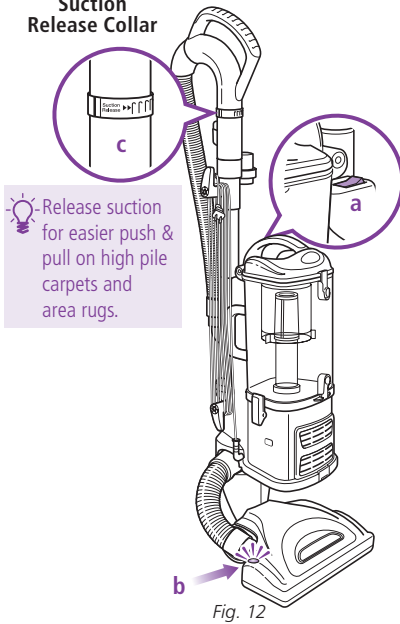
- 1 Place the floor nozzle on a level surface.
- 2 Align the tube of the floor nozzle with the tube on the *Lift-Away*® canister and lower until you hear the two pieces click into place. (Fig. 9)

When attaching the motorized floor brush, ensure that the latching mechanism is fully locked in place to ensure electrical connection has been made.

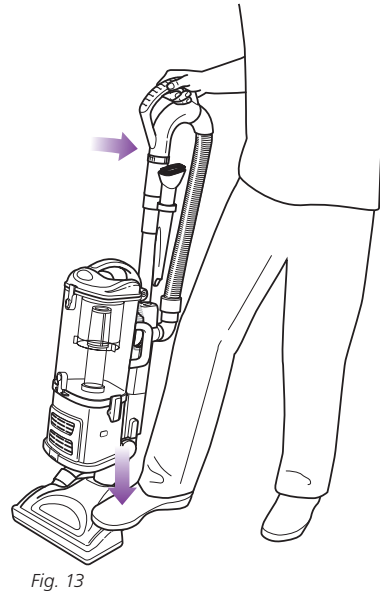
- 3 Attach the end of the extension wand to the tube on the back of the *Lift-Away*® canister until it clicks into place. (Fig. 10)
- 4 Slide the accessory holder (a) positioned opposite the upper cord wrap, over the extension wand. Align the tab with the groove and push down. (Fig. 11)

- 5 Push the handle (b) onto the top of the extension wand until you hear it click into place. (Fig. 11)
- 6 Insert the end of the stretch hose (c) into the connector on the back of the *Lift-Away*® canister. (Fig. 11)
- 7 Store the dusting brush (d) and the crevice tool (e) on the mounts of the accessory holder. (Fig. 11)

Suction Release Collar



💡 Release suction for easier push & pull on high pile carpets and area rugs.



TO USE:

- 1 Rotate the cord release to quickly release the power cord.
- 2 Secure the power cord in the cord hook.

- || = Brush Roll ON
- | = Bare Floor
- = OFF



- 3 Press the On/Off switch (a) to the "I" position to vacuum bare floors (straight suction only) or to the "II" position to engage the motorized floor brush (for vacuuming carpets and rugs). (Fig. 12)

⚠️ IMPORTANT: The motorized brush indicator light (b) will illuminate green when motorized floor brush is on, or red if there is a blockage or jam. (Fig. 12) This feature is designed to protect your Lifetime Belt that powers your motorized floor brush. See Checking for Blockages on page 15.

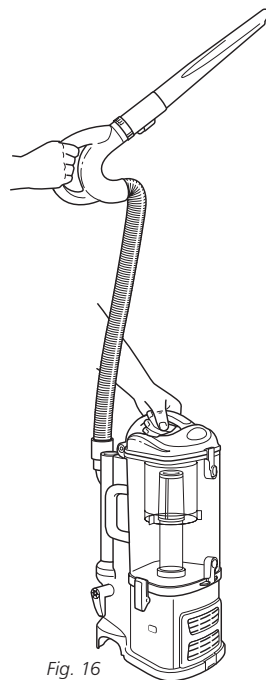
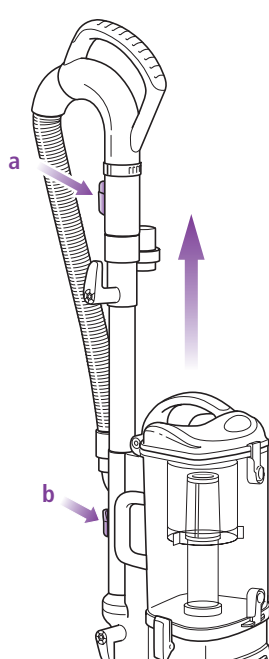
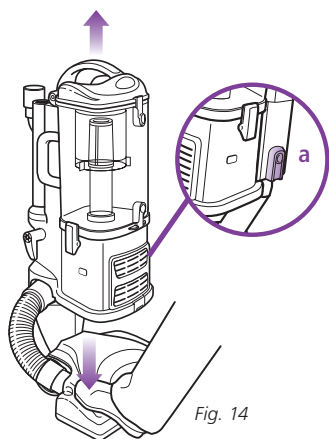
- 4 Gently press the floor nozzle down with your foot while you grasp the handle and tilt it back towards you. (Fig. 13)

NOTE: The rotating brush on the motorized floor brush will not spin unless the nozzle is flat against the floor and the handle is tilted back.

- 5 **Due to the huge suction power of this vacuum, it may become necessary at times to adjust the suction release (c) on the handle. (Fig. 11) If the vacuum seems difficult to push or pull or if it is lifting up area rugs, adjust the suction release by rotating the collar 90° counterclockwise to open the valve. Rotate the collar clockwise to close the valve when you need high suction and for vacuuming floors.**
- 6 Empty dust cup after vacuuming and periodically during use when it appears full. (See "Maintenance" section for instructions.)
- 7 When you are finished vacuuming, turn the vacuum off.

Mode 2: Portable *Lift-Away*®

💡 You can carry your vacuum cleaner in both modes by the carry handle located on top of the dust cup.



PORTABLE *LIFT-AWAY*®

- 1 Separate the portable *Lift-Away*® canister from the floor nozzle by pressing the red release button (a) on the side of the canister. Gently hold the nozzle to the floor with your foot and pull the nozzle up. (Fig. 14)
- 2 Press the handle release button (a) and pull the handle up or press the extension wand release button (b) and pull the extension wand up. (Fig. 15)
- 3 Attach desired accessory onto the end of either the extension wand or the handle.
- 4 Press the On/Off switch to the "I" position to turn the vacuum on for above-floor cleaning and hold the handle in one hand while you carry the portable *Lift-Away*® around the house with the other hand. (Fig. 16)

Above-Floor Cleaning

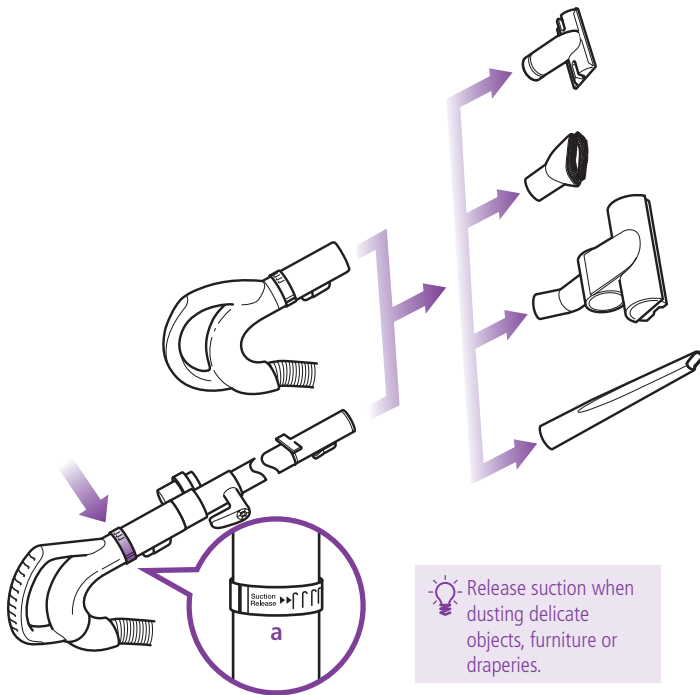


Fig. 17
Suction Release Collar

CLEAN ABOVE THE FLOOR IN UPRIGHT VAC OR PORTABLE *LIFT-AWAY*® MODE

- 1 Press the handle release button and pull the handle up or press the extension wand release button and pull the extension wand up.
- 2 Attach desired accessory onto the end of either the extension wand or the handle. (Fig. 17)
- 3 **Your vacuum has tremendous suction power. Adjust the amount of suction with the suction release on the handle. Open the valve (a) by rotating the collar 90° counterclockwise for low suction when doing light jobs such as drapes or fine surfaces. Close the valve (a) by rotating the collar clockwise 90° for high suction and when using the hand held power brush. (Fig. 17-a)**

- 4 Press the On/Off switch to the "I" position to turn the vacuum on for above-floor cleaning.

⚠ IMPORTANT: Ensure vacuum is in upright position. Do not use position "II" when cleaning above the floor in the upright vac mode as this will engage the motorized floor brush. The rotating brush may damage your floor if run for a prolonged period of time in one area.

Dust-Away™ Hard Floor Attachment - Use and Care

⚠ IMPORTANT: Use only in Portable Lift-Away® mode.

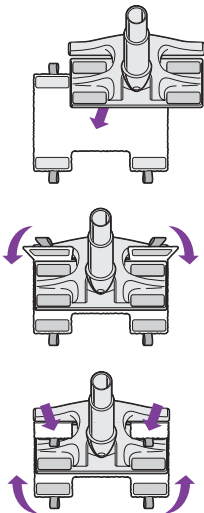


Fig. 18

ATTACH PAD

Slip two of the tabs between the suction nozzle and the *Dust-Away™* base and attach them to the front fasteners on the base. Then pull the other two tabs tightly around to the back fasteners on the base. For best results, ensure that the pad is flat against the bottom surface and secured tightly. (Fig. 18)

CLEAN THE FLOOR

- 1 Press the extension wand release button and pull the extension wand up. (Refer to page 10, Fig. 15-b)
- 2 Attach *Dust-Away™* hard floor attachment onto the end of the extension wand. (Fig. 19)
- 3 Press the On/Off switch to the "I" position to turn the suction motor on and begin cleaning all hard surfaces.

⚠ IMPORTANT: Do not use to clean damp floors or wet/sticky messes.

CARE FOR PADS

- 1 Wash the pads separately with warm water either in the washing machine or by hand using liquid detergent.

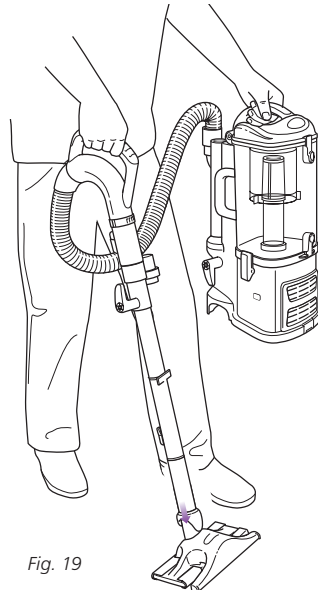


Fig. 19

- 2 Do not use bleach or fabric softeners as they may damage or leave a coating that will reduce the cleaning performance of the pads.
- 3 Tumble dry low or line dry to extend the life of the micro-fiber fabric.

REPLACE PADS

- 1 For best floor cleaning results, we recommend replacing your micro-fiber pads every 3-4 months following normal use.
- 2 You can find and purchase replacement micro-fiber dusting pads and accessories at www.sharkclean.com

TO REPLACE THE MOTORIZED FLOOR BRUSH FOR UPRIGHT CLEANING

- 1 Press the red release at the bottom of the extension wand and remove the hard floor attachment.
- 2 Replace the canister back onto the motorized floor brush and re-insert the handle with extension wand back into the top of the vacuum body until you hear these click into place.

When attaching the motorized floor brush, ensure that the locking mechanism is fully locked in place to ensure electrical connection has been made.

Storage and Maintenance

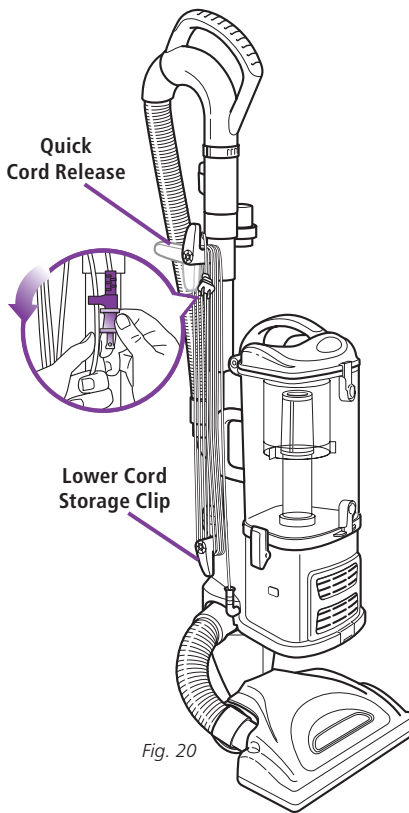


Fig. 20

STORE YOUR VACUUM SAFELY

- 1 Convert your vacuum back to upright vac mode.
- 2 Rotate the upper quick cord release to its upright position and coil the power cord loosely around the two clips. Clip the plug onto the cord to secure. (Fig. 20)
- 3 Store the dusting brush and the crevice tool on the mounts on the accessory holder.
- 4 Store your vacuum cleaner safely in a cool dry area where it will not be a hazard, will not get damaged and will not cause damage to anyone or anything.

NOTE: Empty dust cup after cleaning and prior to storing. (See "Maintenance" section for instructions.)

- ⚠ To reduce the risk of electric shock, unplug the unit before performing any cleaning, maintenance, or troubleshooting checks.
- ⚠ Reassemble all parts securely before operating vacuum.
- ⚠ **DO NOT** operate the vacuum without the pre-motor filters and dust cup in place.
- ⚠ **DO NOT** operate the vacuum with WET filters.
- ⚠ **IMPORTANT:** Make sure all filters are completely dry before inserting back into vacuum.
- ⚠ **WARNING:** Never insert sharp objects into any opening to clear an obstruction.
- ⚠ **IMPORTANT:** Damages caused while clearing or attempting to clear blockages are not covered under your product's limited warranty.

Maintenance

| COMPONENT | MAINTENANCE SCHEDULE |
|--------------------------|----------------------------------------------------|
| 1 Dust Cup | Empty each time you vacuum. |
| 2 Pre-Motor Foam Filter | Rinse and air dry every 3 months under normal use. |
| 3 Pre-Motor Felt Filter | Rinse and air dry every 3 months under normal use. |
| 4 Post-Motor HEPA Filter | Clean once every 2 years or as needed. |

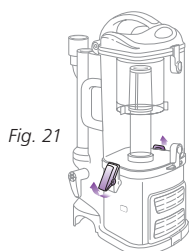


Fig. 21

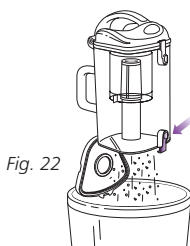


Fig. 22

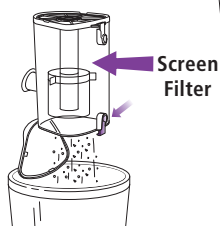


Fig. 23

⚠ IMPORTANT: Loss of Suction may occur if foam filters are not cleaned every 3 months. Rinse and allow to air dry completely. Foam filters may appear dirty after use - this is normal.

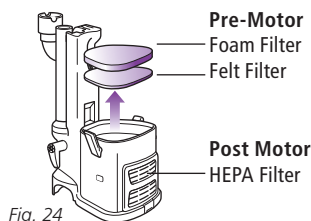


Fig. 24

EMPTYING THE DUST CUP

The dust cup needs to be emptied each time you vacuum and periodically during cleaning, when the dust cup appears full.

- 1 Undo the latches on the sides of the dust cup by lifting them up and outwards to remove the dust cup from the motor base. (Fig. 21)
- 2 Hold the dust cup over a trash receptacle and press the bottom door release button. (Fig. 22) Tap gently to empty contents. Press the door shut again until it clicks.
- 3 If needed, turn the dust cup upside down over the trash receptacle and press the top door release button. (Fig. 23) Tap gently to remove contents.
Use a dry cloth or paper towel to remove debris stuck to the screen filter inside the dust cup. Press the door shut again until it clicks.
- 4 Replace the dust cup on top of the motor base. Hook the two latches onto the tabs on the sides of the dust cup and push down to lock.

CLEANING THE PRE-MOTOR FILTERS

- 1 Remove the dust cup.
 - 2 Pull the 2 filters out from the top of the motor base. (Fig. 24)
 - 3 Rinse the filters thoroughly in lukewarm water until the water runs clear.
- ⚠ DO NOT** put the filter in the washing machine or dishwasher.
- NOTE:** The material in the filter will discolor over time. This is NORMAL and will not affect the performance of the filter.
- 4 Squeeze out excess water and let air-dry for at least 24 hours before replacing. Do not use a hair dryer or other heating methods to dry.
 - 5 Place the felt filter in first, then the foam filter.
 - 6 Replace the dust cup.

Maintenance - cont'd



Fig. 25

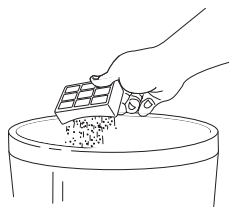


Fig. 26

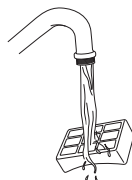


Fig. 27

CLEANING THE POST-MOTOR HEPA FILTER

- 1 Remove the filter cover from the front of the vacuum by pulling up on the tab and pulling the cover away from the vacuum. (Fig. 25)
- 2 Take out the HEPA filter by pulling it straight out.
- 3 Turn the filter over so that the dirty side is on the bottom and vigorously tap it clean against a garbage can to remove any dust. (Fig. 26)
- 4 Wash the filter under the tap using lukewarm water with the dirty side face down until the water runs clear. (Fig. 27)

⚠ DO NOT put the filter in the washing machine or dishwasher.

NOTE: The material in the filter will discolor over time. This is NORMAL and will not affect the performance of the filter.

- 5 Allow the filter to air dry for 24 hours. Do not use a hair dryer or other heating methods to dry.
- 6 Once the HEPA filter is dry, replace it back into the vacuum.
- 7 Replace the cover by inserting the two tabs into the holes at the top and then swinging the cover down until it clicks into place.

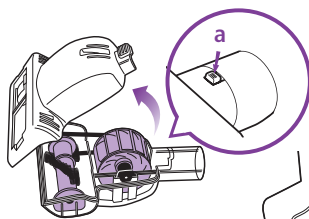


Fig. 28

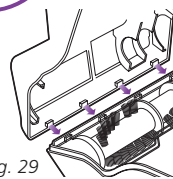


Fig. 29

CLEANING THE POWER BRUSH

(models NV355 & NV355CS only)

- 1 Slide the locking latch (a) forward and tilt the bottom cover upward to remove. (Fig. 28)
- 2 Carefully remove any blockage or debris and cut away any build-up of hair or string wrapped around the rotating bristle brush with scissors.
- 3 To reassemble, insert the tabs on the front edge of the bottom cover into the matching holes in the top half and tilt it back down until it clicks into place. (Fig. 29)

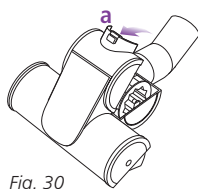


Fig. 30

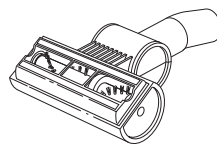


Fig. 31

CLEANING THE POWER BRUSH (models NV356E, NV356K, NV356KCS, NV357 only)

- 1 Slide the locking latch (a) forward and gently tilt brush housing upward to open. (Fig. 30)
- ⚠ IMPORTANT:** DO NOT force; it will not open all the way.
- 2 Carefully remove any blockage or debris.
 - 3 Turn the power brush over to inspect the rotating brush and cut away any build-up of hair or string wrapped around the rotating bristle brush with scissors. (Fig. 31)
 - 4 Push the housing back down and slide the locking latch backward to lock.

Maintenance - cont'd

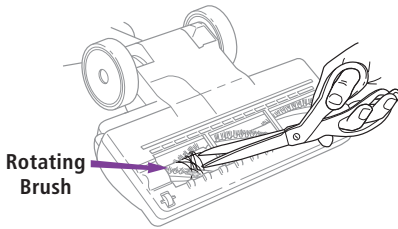


Fig. 32

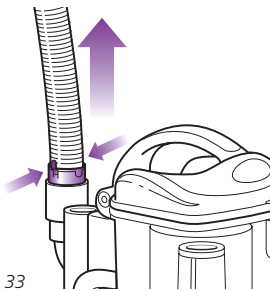


Fig. 33

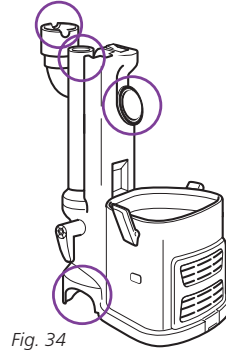


Fig. 34

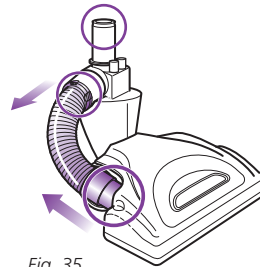


Fig. 35

CLEANING THE MOTORIZED FLOOR BRUSH

When your motorized floor brush needs cleaning or locks onto an object, it automatically shuts down to prevent damage to your lifetime belt. The indicator light will illuminate red warning you to turn off the vacuum and clear blockage immediately. The light will reset itself once blockage has been cleared and power has been cycled on/off or vacuum has been locked in the upright position.

- 1 Detach the motorized floor brush from the portable *Lift-Away*® canister.
- 2 Inspect the opening underneath and the rotating brush. If a build-up of debris is present, remove it. Carefully cut anything wound around the rotating brush with scissors. Avoid damaging or cutting the bristles. (Fig. 32)



Make sure you are working in a well lit area and use a flashlight to help search for blockages.



CHECKING FOR BLOCKAGES

Blockages may cause your vacuum to overheat and shut down. To prevent this from happening, check potential blockage areas after heavy use or if you detect a loss of suction or poor cleaning performance.

1 Dust Cup

Dust cup may be full. Empty dust cup.

2 Pre-Motor & Post-Motor Filters

- Pre-motor filters require washing every 3 months for optimum performance.
- The post-motor HEPA filter needs to be washed every 2 years.
- Ensure that all the filters are clean.

3 Accessories

- Check intake openings:
 - Extension Wand
 - Dusting Brush
 - Crevice Tool
 - Turbo Brush

Maintenance - cont'd

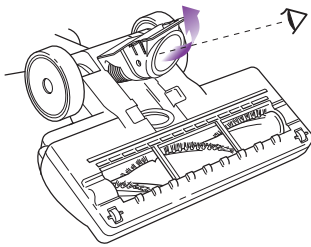
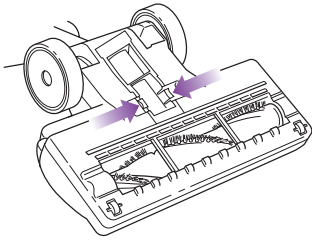


Fig. 36

4 Hose and Connections to Vacuum

- Detach the stretch hose from the back of the portable *Lift-Away*® canister by squeezing the tabs together and pulling up. (Fig. 33) Straighten out the hose and look inside for blockages.
- Remove the dust cup and extension wand and separate the portable *Lift-Away*® canister from the motorized floor brush. Look in all 4 openings for any blockages. (Fig. 34)

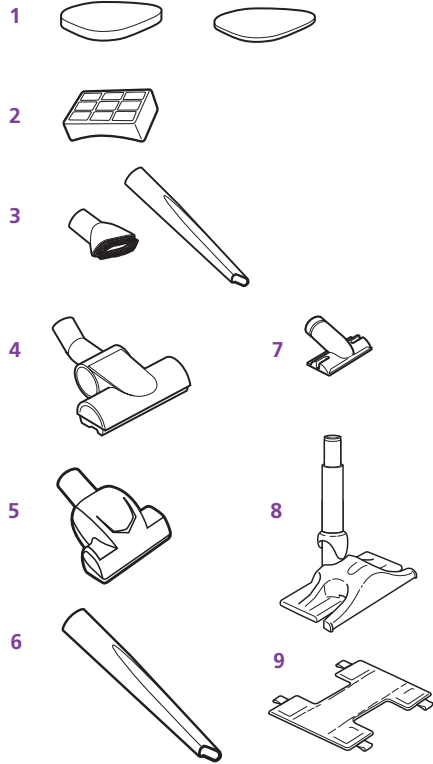
5 Motorized Floor Brush (Side suction models)

- Detach the hose on the motorized floor brush at the top by squeezing the tabs together and pulling out, and at the bottom by pulling out the connector. Inspect inside the 3 holes. (Fig. 35)

(Center suction models)

- Turn motorized floor brush over and detach the hose by squeezing the tabs together and pulling it out. Straighten out the hose and inspect the inside for any blockages. (Fig. 36)

Ordering Parts



| PART | PART NO. |
|--------------------------------------------|----------|
| 1 Pre-Motor Filter Set | XFF350 |
| 2 HEPA Filter | XHF350 |
| 3 Dusting Brush & Crevice Tool | 112FFJ |
| 4 Turbo Brush | 119FFJC |
| 5 Turbo Brush | 137FFJ |
| 6 24" Crevice Tool | 1124-FC |
| 7 Pet/Upholstery Tool | 128FF |
| 8 <i>Dust-Away</i> ™ Hard Floor Attachment | 142FFJ |
| 9 <i>Dust-Away</i> ™ Micro-fiber Pad (1) | P200W |
| <i>Dust-Away</i> ™ Micro-fiber Pads (2) | XPD356 |
| <i>Dust-Away</i> ™ Micro-fiber Pads (3) | XTW356 |

To order additional parts or accessories go to www.sharkclean.com or call 1-800-798-7398.

Troubleshooting Guide

| PROBLEM | POSSIBLE REASONS & SOLUTIONS |
|----------------------------------------------------------------------|-----------------------------------------------------------------------------------------------------------------------------------------------------------------------------------------------------------------------------------------------------------------------------------------------------------------------------------------------------------------------------------------------------------------------------------------------------------------------------------------------------------------------------------------------------------------------------------------------------------------------------------------------------------------------------------------------------------------------------------------------------------------------------------------------------------------------|
| <p>Vacuum is not picking up dirt.</p> | <p>Check filters to see if they need cleaning. Follow instructions for rinsing and drying the filters before re-inserting back into the vacuum. (See "Maintenance" sections for instructions.)</p> <p>Dust cup may be full; empty dust cup.</p> <p>Check hose and hose connections for blockages; clear blockages if required.</p> <p>If dust cup is empty, and attachment inlets are clear, check for other blockages. (See "Checking for Blockages" for instructions.)</p> |
| <p>Vacuum lifts scatter rugs (lightweight, movable rugs).</p> | <p>Suction is powerful. Take care when vacuuming scatter-type rugs or rugs with delicately sewn edges. Open the suction release on the handle to decrease suction power.</p> <p>Move the On/Off switch to "I - Suction Only" position to disengage the brush roll</p> |
| <p>Airflow is restricted. No suction or light suction.</p> | <p>Check filters to see if they need cleaning. Follow instructions for rinsing and drying the filters before re-inserting back into the vacuum.</p> <p>Dust cup may be full; empty dust cup.</p> <p>Check hose, hose connections, nozzles and accessories for blockages; clear blockages if required.</p> <p>Close the suction release on the handle to increase suction power.</p> <p>If dust cup is empty, and attachment inlets are clear, check for other blockages.</p> |
| <p>Brush roll does not spin</p> | <p>Immediately turn off and unplug vacuum, disconnect the nozzle and remove blockage before reconnecting and turning vacuum back on.</p> <p>Pull the handle toward you and release the floor nozzle to disengage the auto-off feature.</p> <p>Move the On/Off switch to the "II - Brush Roll On" position.</p> |
| <p>Vacuum turns off on its own.</p> | <p>This vacuum cleaner is equipped with a motor protective thermostat. If for some reason your vacuum overheats, the thermostat will automatically turn the unit off. Should this occur, perform the following steps to restart the motor thermostat:</p> <ol style="list-style-type: none"> 1. Move the On/Off switch to the "O" (Off) position. 2. Unplug the vacuum. 3. Empty the dust cup and clean filters. 4. Check for blockages in hose, accessories and inlet openings. 5. Allow the unit to cool for a minimum of 45 minutes. 6. Plug in the vacuum. 7. Turn the On/Off switch to the "I" (On) position to restart the vacuum. <p>Note: If vacuum still does not start, contact Customer Service at: 1-800-798-7398.</p> |

To purchase replacement parts, please visit our website: www.sharkclean.com or contact customer service: 1-800-798-7398.



EURO-PRO FIVE-YEAR (5) LIMITED WARRANTY

EURO-PRO Operating LLC warrants this product to be free from material defects and workmanship for a period of five (5) years from the date of purchase when utilized for normal household use, subject to the following conditions, exclusions and exceptions.

The liability of **EURO-PRO Operating LLC** is limited solely to the cost of the repair or replacement of the unit at our option. This Limited Warranty does not cover normal wear of parts and does not apply to any unit that has been tampered with or used for commercial purposes. This Limited Warranty does not cover damage caused by misuse, abuse, negligent handling or damage due to faulty packaging or mishandling in transit. This Limited Warranty does not cover damage or defects caused by or resulting from damages from shipping or repairs, service or alteration to the product or any of its parts, which have been performed by a repair person not authorized by **EURO-PRO Operating LLC**.

If your appliance fails to operate properly while in use under normal household conditions within the warranty period, you may return the complete appliance and accessories with proof of purchase and date, freight prepaid. For customer service support, call 1-800-798-7398 or visit our website at www.sharkclean.com.

If the appliance is found by **EURO-PRO Operating LLC** to be defective, in **EURO-PRO Operating LLC's** sole discretion, we will repair or replace it free of charge. Proof of purchase date and a check made payable to **EURO-PRO Operating LLC** in the amount of \$19.95 to cover the cost of return shipping and handling must be included.*

Non-durable parts including, without limitation, filters, brushes and electrical parts which normally require replacement are specifically excluded from warranty.

This Limited Warranty is extended to the original purchaser of the unit and excludes all other legal, implied and/or conventional warranties. The responsibility of **EURO-PRO Operating LLC** if any, is limited to the specific obligations expressly assumed by it under the terms of this Limited Warranty. **In no event is EURO-PRO Operating LLC** liable for incidental or consequential damages to anyone of any nature whatsoever. Some states do not permit the exclusion or limitation of incidental or consequential damages, so the above may not apply to you.

This Limited Warranty gives you specific legal rights, and you may also have other rights which vary from state to state or province to province.

***IMPORTANT: Carefully pack item to avoid damage in shipping. Be sure to include proof of purchase date and to attach a tag to item before packing including your name, complete address and phone number with a note giving purchase information, model number and what you believe is the problem with the item. We recommend you insure the package (as damage in shipping is not covered by your warranty). Mark the outside of your package "ATTENTION CUSTOMER SERVICE". We are constantly striving to improve our products, therefore the specifications contained herein are subject to change without notice.**

Product Registration

Please visit www.sharkclean.com or call 1-800-798-7398 to register your new **Shark®** product within ten (10) days of purchase. You will be asked to provide the store name, date of purchase and model number along with your name and address.

The registration will enable us to contact you in the unlikely event of a product safety notification. By registering you acknowledge to have read and understood the instructions for use, and warnings set forth in the accompanying instructions.

EURO-PRO Operating LLC
U.S.: Newton, MA 02459
Canada: Ville St. Laurent, Québec H4S 1A7

1-800-798-7398

www.sharkclean.com

Copyright © Euro-Pro Operating LLC 2011

Printed in China

Illustrations may differ from actual product.

NV355.NV356E.NV356K.NV357.NV355CS.NV356KCS.110811.4