

Package Contents

↓ [Package Contents](#)

Package Contents

- Handset (AQUOS ea)
 - ・Battery is built into handset.
 - ・Handset back cover is not removable.
- TV Antenna Cable (Complimentary sample)
- クイックスタート (Japanese)
- お願いとご注意 (Japanese)
- Warranty

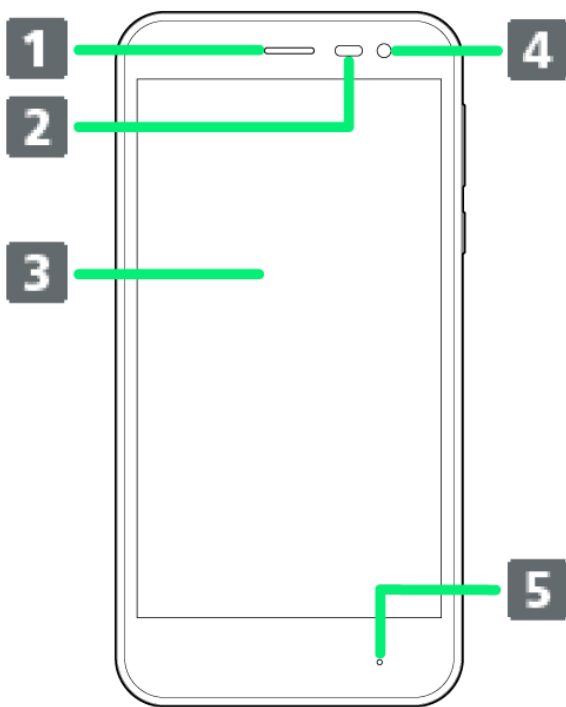
Parts & Functions

↓ Handset (Front)

↓ Handset (Back and Sides)

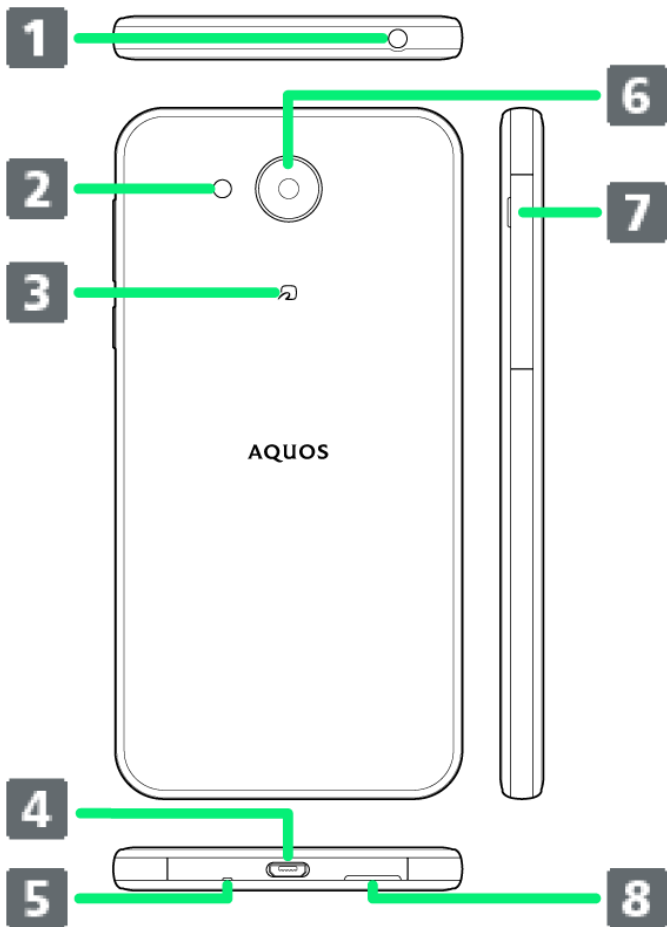
↓ Handset Keys

Handset (Front)



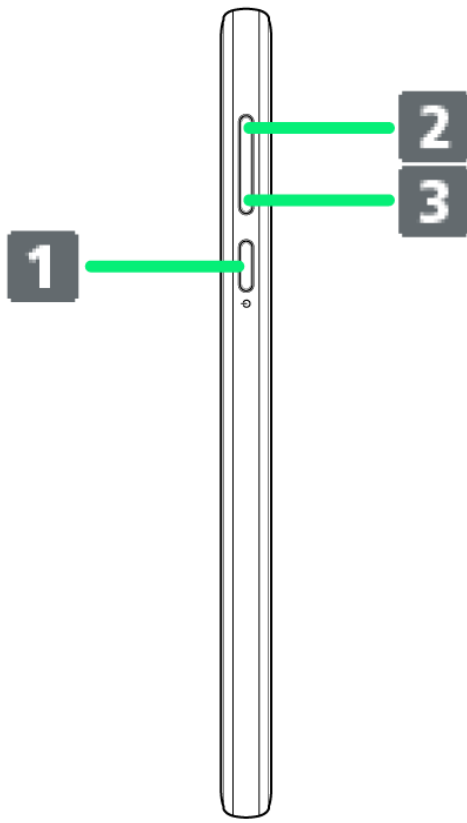
Name	Description
1 Receiver	Hear the other party's voice here.
2 Proximity/Light Sensor	Proximity Sensor prevents Touchscreen misoperation during calls. Light Sensor adjusts Display brightness according to ambient light.
3 Display	Touchscreen-type display; operate with your fingers on Display.
4 Front Camera	Use to shoot photos or videos of yourself.
5 Charging/Notification Lamp	Illuminates while charging or for incoming calls/messages and notifications.


Handset (Back and Sides)



Name	Description
1 Earphones-Microphone Jack	Connect TV Antenna Cable or Earphones with Mic (optional accessory) here.
2 Mobile Light	Use as a camera flash, flashlight, etc.
3 FeliCa mark	Hold up to reader/writer to use NFC/Osaifu-Keitai [®] .
4 External Connection Jack	Connect AC Adaptor or Micro USB Cable here.
5 Mic (Recorder Mic)	Use while recording videos or when talking through Speakerphone.
6 Camera	Shoot photos or videos.
7 Card Slot	Insert/remove SD Card and USIM Card.
8 Speaker	Listen to music, video sound, TV, etc.

Handset Keys



Name	Description
1  (Power Key)	Turn Display off/on. Long Press for power on/off or reboot.
2 Volume Up Key	Increase volume.
3 Volume Down Key	Decrease volume. Long Press in lock screen to activate/cancel Manner mode.

USIM Card

USIM Card is an IC card containing phone number and other customer information.

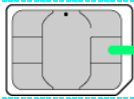
↓ Handling USIM Card

↓ Inserting USIM Card

↓ Removing USIM Card

Handling USIM Card

- See instructions included with USIM Card for handling.
- Avoid applying labels. May damage USIM Card.
- USIM is replaceable (at cost) in case of loss/damage.
- Wipe clean with a dry, soft cloth.
- Always keep the IC (gold) chip clean.



1

① IC (gold) chip


USIM Card Cautions

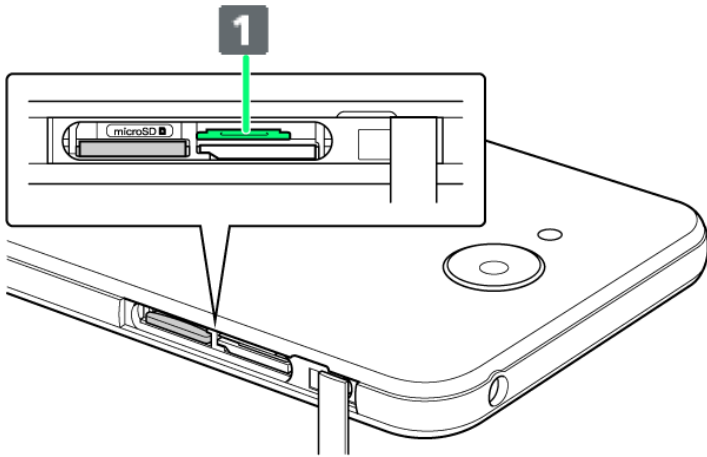
About USIM Card

Observe the following when using USIM Card.

- Always follow emergency procedures to suspend service if your USIM Card or handset (USIM Card inserted) is lost/stolen. For details, contact [Customer Service](#).
- Customer is responsible for any damage caused by inserting USIM Card in an other-brand IC card reader, etc. SoftBank Corp. is not responsible in such case.
- It is recommended that you back up information that is saved on USIM Card. SoftBank Corp. is not responsible for damages from saved information that is lost.
- Always power off handset before inserting/removing USIM Card.
- Note that USIM Card specifications and performance may change without notice.
- Return USIM Card to SoftBank Corp. when canceling subscription.
- USIM Card is the property of SoftBank Corp.
- Returned USIM Cards are recycled for environmental purposes.

About IMEI Sheet

IMEI Sheet () can be found when Card Slot Cap is open. Do not pull out IMEI Sheet.



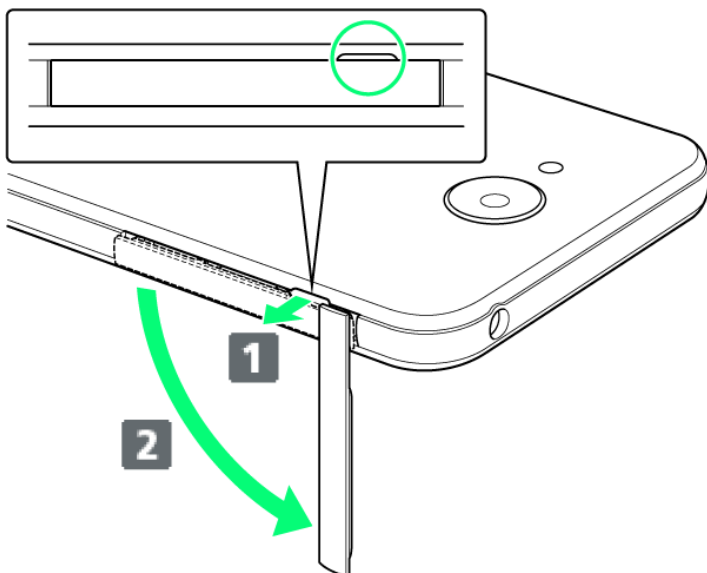
Inserting USIM Card

Always power off beforehand.

- Set USIM Card in USIM Tray beforehand. Do not insert USIM Card without setting it in USIM Tray.

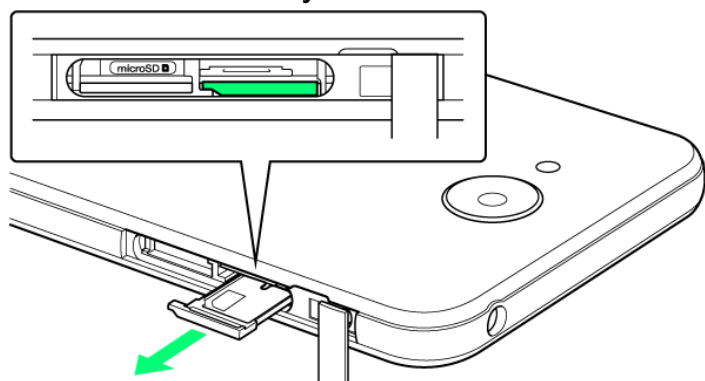
1

Open Card Slot Cap by hooking a finger on notch (○)



2

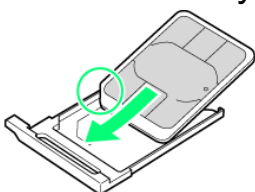
Pull out USIM Tray



- Do not pull USIM Tray forcefully or at an angle; damage may result. Gently pull it out horizontally by hooking a finger on it.

3

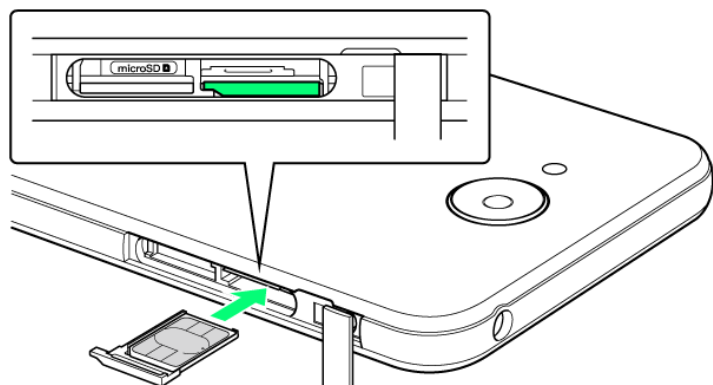
Set USIM Card in USIM Tray



- Place gently, noting orientation of USIM Card (notch/IC (gold) chip facing up).
- Make sure USIM Card is in USIM Tray. Inserting USIM Tray with USIM Card on its edge may cause damage.

4

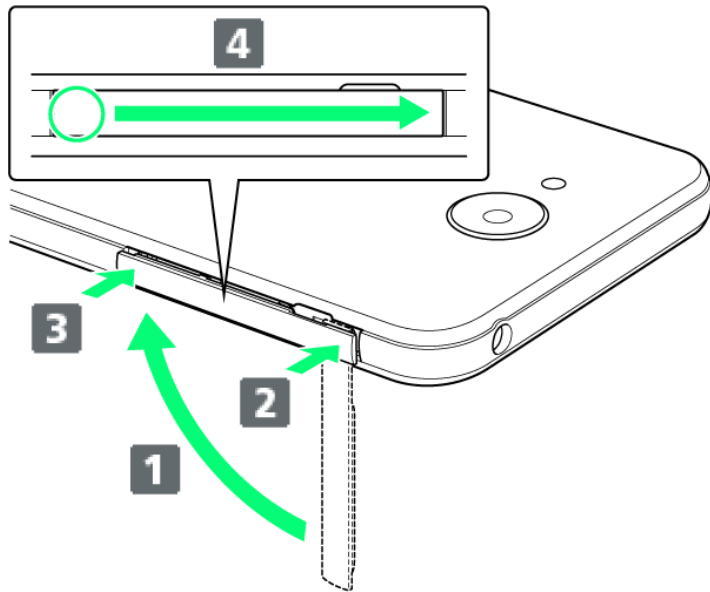
Insert USIM Tray into USIM Card Slot (right opening)



- Insert gently all the way horizontally, noting orientation of USIM Tray.
- Do not insert USIM Tray upside down.

5

Close Card Slot Cap



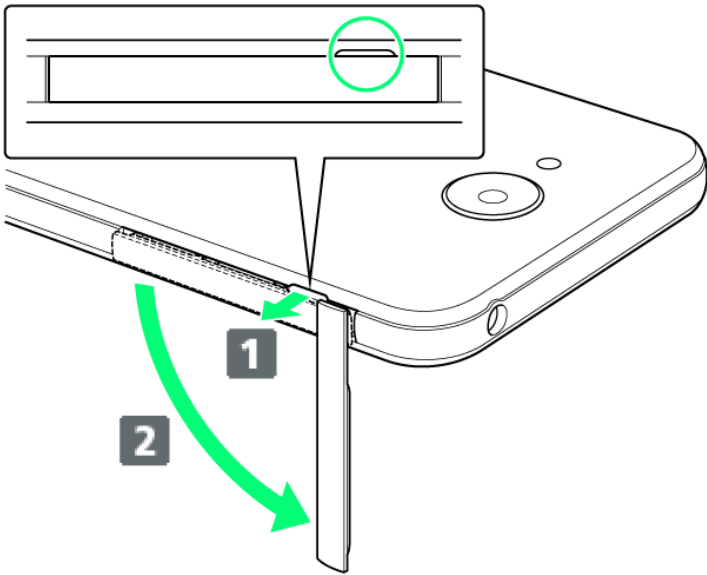
- Push Card Slot Cap as shown (**1** and **2**) to close, then push it firmly all the way from circled area (**O**) to hinge as shown (**3**) so that there is no gap between handset and Card Slot Cap.

Removing USIM Card

Always power off beforehand.

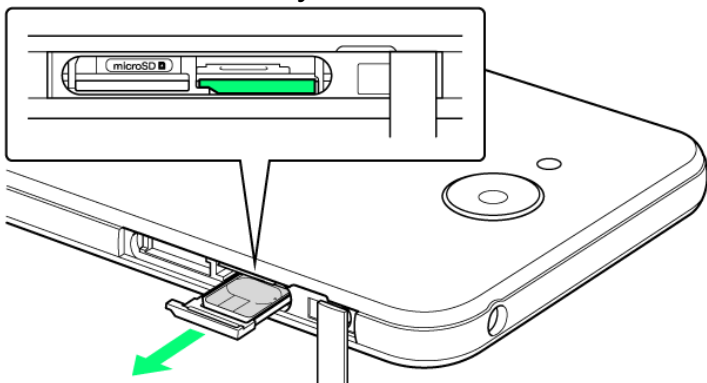
1

Open Card Slot Cap by hooking a finger on notch (**O**)



2

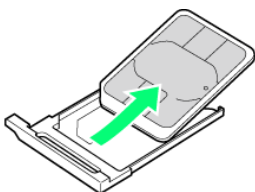
Pull out USIM Tray



- Do not pull USIM Tray forcefully or at an angle; damage may result. Gently pull it out horizontally by hooking a finger on it.

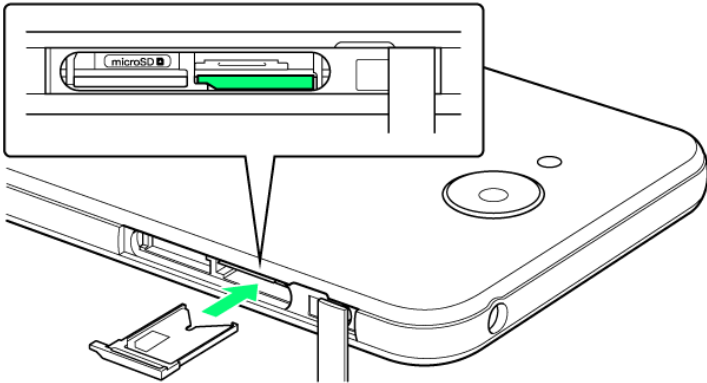
3

Remove USIM Card



4

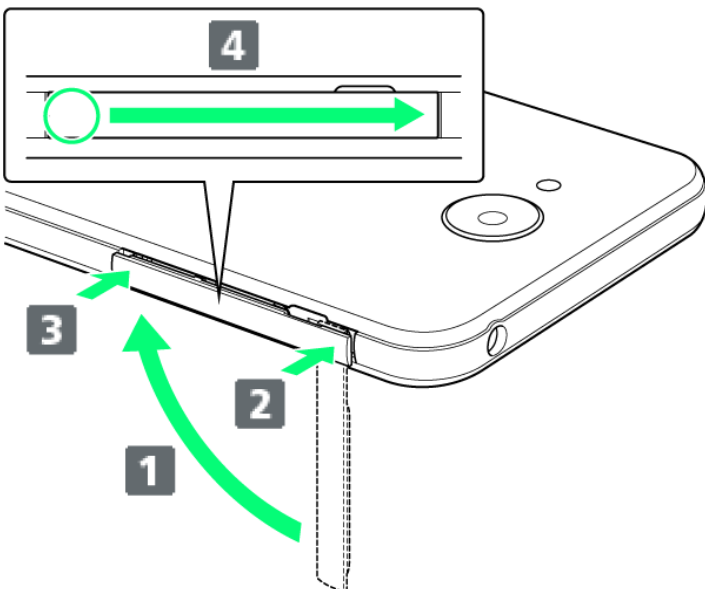
Insert USIM Tray into USIM Card Slot (right opening)



- Do not insert USIM Tray at an angle; damage may result. Insert gently all the way horizontally, noting orientation of USIM Tray.
- Do not insert USIM Tray upside down.

5

Close Card Slot Cap



- Push Card Slot Cap as shown (**1** and **2**) to close, then push it firmly all the way from circled area (**O**) to hinge as shown (**3**) so that there is no gap between handset and Card Slot Cap.

Charging Handset

Battery is built into handset.

↓ [Internal Battery](#)

↓ [About Charging](#)

↓ [Charging with AC Adaptor](#)

↓ [Charging by PC](#)

Internal Battery

A lithium-ion battery is built into handset; it is not removable.



Recycling

This product requires a lithium-ion battery. Lithium-ion batteries are recyclable. To recycle a used lithium-ion battery, take it to any shop displaying the recycling symbol.



Li-ion00



モバイル・リサイクル・ネットワーク

携帯電話・PHSのリサイクルにご協力を。



Battery Cautions

Storage

To help maintain performance and life of Internal Battery, do not store in the following conditions (battery level should be at approximately 40% for optimal storage).

- Full (immediately after charging is complete)
- Exhausted (too low to power on handset)

Bulges of Internal Battery

Depending on use, bulges may appear near end of battery life; this does not affect safety.

Internal Battery Replacement

Internal Battery is a consumable item; may need to be replaced if operating time shortens noticeably. Internal Battery is not user replaceable; its replacement incurs fees and requires handset submission to a SoftBank Shop or other appropriate servicer. For details, contact a SoftBank Shop or SoftBank Customer Support, [General Information](#).

About Charging

The following charging options are available.

Charging Option	Description
AC Adaptor	Connect handset and AC Adaptor (sold separately) directly.
USB charging	Connect handset and a PC with Micro USB Cable (optional accessory).



Charging/Notification Lamp

Charging/Notification Lamp illuminates red while charging; illuminates green when charge is almost full.

Charging/Notification Lamp goes out when charge is full.

- If Charging/Notification Lamp is blinking, charging is not working properly. Make sure that you are using Charger and products specified by SoftBank Corp. If you are using specified products only, contact a SoftBank Shop or SoftBank Customer Support, [General Information](#).



Charging Cautions

Water Resistance

AC Adaptor (sold separately) and Micro USB Cable (optional accessory) are not waterproof. Never connect Micro USB plug while handset or Charger is wet.

Handset is water resistant; however, if Micro USB plug is inserted while it is wet, liquid (tap water, beverage, sea water, pet urine, etc.) or a foreign object adhered to handset or Micro USB plug may cause overheating, burnout, fire, malfunction, burns, etc. due to electric shock, short-circuiting, etc.

Handling Cords

Do not pull, bend, or twist cord; may damage the cord.

About Charging Abroad

SoftBank Corp. is not liable for problems resulting from charging handset abroad.

Charging with AC Adaptor

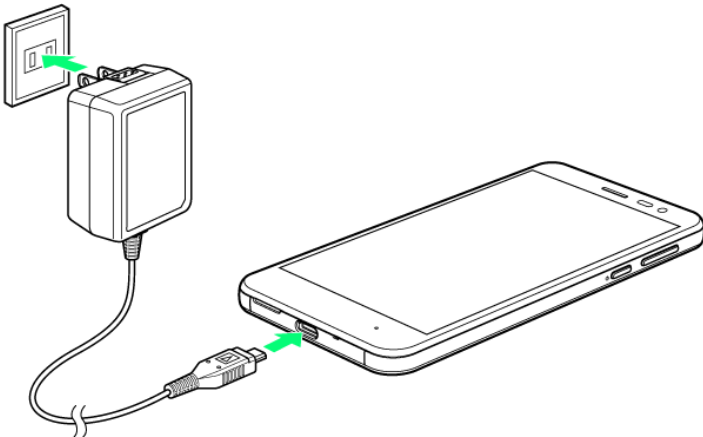
Purchase and use ZSDBA4 (Micro USB Quick Charge™ 2.0 AC Adaptor)¹ or ZSDBA6 (Micro USB 1.0 AAC Adaptor)².

For information on other peripheral devices, see SoftBank Website.

The following explains how to charge handset using ZSDBA4 (Micro USB Quick Charge™ 2.0 AC Adaptor).

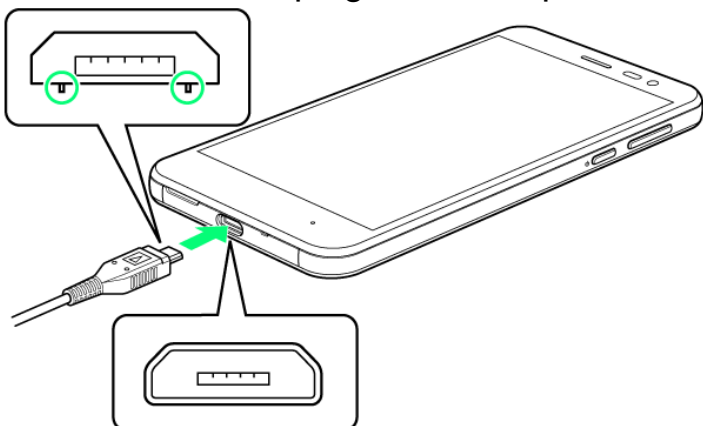
1 SB-AC12-HDQC (SoftBank SELECTION Qualcomm® Quick Charge™ 2.0 AC Adaptor for smartphones)

2 SB-AC13-HDMU (SoftBank SELECTION Micro USB 1.0 AAC Adaptor for smartphones)



1


Insert Micro USB plug of AC Adaptor into External Connection Jack



- Insert Micro USB plug in correct orientation; otherwise, External Connection Jack may be damaged. Check contours and orientation of Micro USB plug, then insert it with tabs (O) facing down.

2

Raise plug on AC Adaptor and plug into household AC outlet

 Charging/Notification Lamp illuminates once charging starts.

- Charging/Notification Lamp goes out when charge is full.

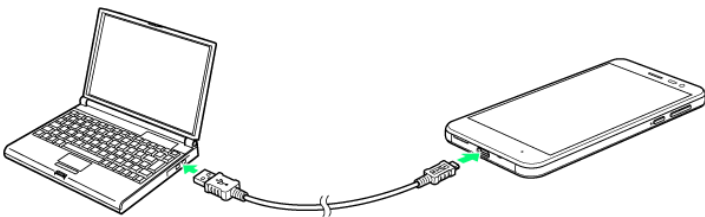
3

After charging, remove Micro USB plug from External Connection Jack, then unplug AC Adaptor and lower plug

Charging by PC

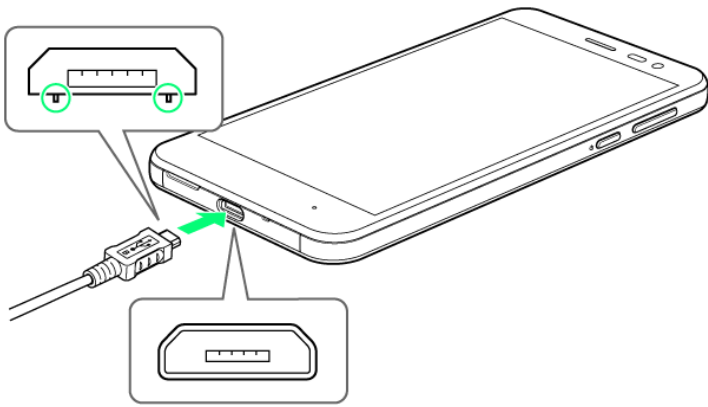
Connect handset to a PC with Micro USB Cable (SHDDL1; optional accessory).

- Make sure that PC is turned on.
- Charging may not be possible/take a long time depending on connection and PC conditions.
- Never connect Micro USB plug while handset or Micro USB Cable is wet.



1

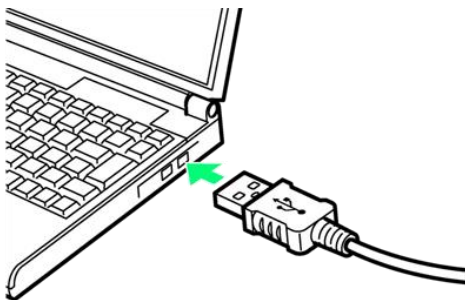
Insert Micro USB plug of Micro USB Cable into External Connection Jack



- Insert Micro USB plug in correct orientation; otherwise, External Connection Jack may be damaged. Check contours and orientation of Micro USB plug, then insert it with tabs (O) facing down.

2

Insert USB plug of Micro USB Cable into USB port on PC



 Charging/Notification Lamp illuminates once charging starts.

- Charging/Notification Lamp goes out when charge is full.

3

After charging, remove Micro USB Cable from handset and PC

Specifications

↓ Handset

↓ TV Antenna Cable

↓ Materials

Handset

Handset specifications are as follows.

- Times in the table vary with location, status, settings, etc.
- Display employs precision technology; however, some pixels may remain on/off.

Item	Description
Dimensions (W x H x D)	Approx. ●● mm x ●●● mm x ●.● mm (without protruding parts)
Weight	Approx. ●●● g
Maximum Output	3G: ●.●● W GSM (850 MHz, 900 MHz): ● W GSM (1800 MHz, 1900 MHz): ● W 4G: ●.● W
Internal Battery Capacity	●,●●● mAh
Continuous Talk Time¹	3G: Approx. ●●● minutes GSM: Approx. ●●● minutes VoLTE: Approx. ●●● minutes
Continuous Standby Time²	3G: Approx. ●●● hours GSM: Approx. ●●● hours 4G (AXGP Network): Approx. ●●● hours 4G (FDD-LTE Network): Approx. ●●● hours
TV Continuous Viewing Time³	Approx. ●.● hours
Charging Time⁴	ZSDBA4 (Micro USB Quick Charge™ 2.0 AC Adaptor) ⁵ : Approx. ●●● minutes ZSDBA6 (Micro USB 1.0 AAC Adaptor) ⁶ : Approx. ●●● minutes
Maximum Transmission Speed⁷	SoftBank 4G LTE: ●●●.● Mbps ⁸ in downlink, ●●.● Mbps in uplink SoftBank 4G: ●●● Mbps ⁹ in downlink, ●● Mbps in uplink

SoftBank 3G: ●● Mbps in downlink, ●.● Mbps in uplink

- 1 Average measured with handset fully charged, in strong signal conditions at rest.
- 2 Average measured with handset fully charged, without calls or operations, in strong signal conditions at rest, and with data communication and Urgent News disabled. May vary with battery strength, ambient temperature, settings, etc.
- 3 Calculated in full-screen landscape mode, with Automatic brightness in Brightness level disabled (and with the default Brightness settings), with Earphones with Mic (sold separately), and volume at maximum, starting from handset fully-charged and continuing until 10% remaining battery charge.
Usable time may vary with radio signal conditions and the content played.
- 4 Measured with power off using AC Adaptor.
- 5 SB-AC12-HDQC (SoftBank SELECTION Qualcomm® Quick Charge™ 2.0 AC Adaptor for smartphones)
- 6 SB-AC13-HDMU (SoftBank SELECTION Micro USB 1.0 AAC Adaptor for smartphones)
- 7 Provided on a best-effort basis; transmission speed may decrease or transmission may become unavailable due to traffic conditions, network environment, etc.
- 8 Available in certain areas. Depending on area, maximum downlink speed is set to ●●● Mbps, ●●●.● Mbps, ●● Mbps, or ●●.● Mbps or less.
- 9 Depending on area, maximum downlink speed is set to ●●● Mbps or less.

TV Antenna Cable

Item	Description
Cable Length	Approx. 136 mm (including plug and jack)
Weight	Approx. 5 g
4-Pole Mini-Plug	Round type, diameter 3.5 mm, 4-pole
Materials Used/Surface Finish	Elastomer resin + Nickel base + brass + PP resin + POM resin/gold plating

Materials

Parts	Materials Used/Surface Finish
Display Surface	Tempered glass/AF coating
Back Surface	PC resin/hard coating
Side Surface	PC resin + ABS resin/coating, hard coating, printing
Exterior	PA resin (containing glass)/coating, hard coating

Power Key	PC resin/coating, hard coating, printing
Volume Up/Down Key	PC resin/coating, hard coating, printing
Camera Panel	Acrylic resin + PC resin/AF coating + AR coating
Camera Ornament	Aluminum/anodizing
Earpiece Screen	Polyester resin/water-repellent treatment
External Connection Jack (metal part)	Copper alloy + SUS/gold plating, tin plating
External Connection Jack (resin part)	PA resin
Card Slot Cap	PC resin/coating, hard coating
Card Slot Cap Hinge	Elastomer resin
Card Slot Cap Gasket	EPDM
USIM Card Slot	SUS
SD Card Slot	SUS/nickel plating
USIM Tray	POM resin
IMEI Plate	PET resin

Warranty & After-Sales Service

↓ [Warranty](#)

↓ [After-Sales Service](#)

Warranty

Handset purchase includes warranty.

- Check shop name and purchase date.
- Read warranty and keep in a safe place.
- Warranty period is given in warranty.

Cautions

Damages

SoftBank Corp. is not responsible for any damages for user or third party resulting from lost opportunities to make a call, etc. due to breakage, malfunction, or trouble of product.

Malfunction/Repairs

Information/settings on handset may be lost/changed due to malfunction or repairs. It is recommended that you keep a copy of Address Book contacts and other important information. SoftBank Corp. is not responsible for loss/change of data (contacts, images, sound, etc.) or settings due to malfunction, repairs, change of model, or any other handling.

Disassembly/Modification

Disassembly/modification of handset is prohibited under the Radio Law. Note that handset cannot be accepted for repairs if modified.

Adhering stickers, etc. on Display or Keys or adhering decorations with glue, etc. may be deemed to be modifications, and prevent acceptance of handset for repairs.

After-Sales Service

To request repairs, contact [Customer Service](#) or a nearby SoftBank Shop. Have details of symptoms ready.

- During the warranty period, repairs are made under the terms and conditions of the warranty.

- After the warranty period, if handset can be repaired, repairs will be made at cost.



Further inquiries

For more information on after-sales service, contact a nearby SoftBank Shop or [Customer Service](#).

Customer Service

For SoftBank handset or service information, call General Information. For repairs, call Customer Assistance.

↓ [SoftBank Customer Support](#)

↓ [Smartphone Technical Support Center](#)

↓ [SoftBank Global Call Center](#)

SoftBank Customer Support



General Information

From a SoftBank handset, dial toll free at 157

From a landline/IP phone, dial toll free at 0800-919-0157



Customer Assistance (Repairs/Lost Handsets)

From a SoftBank handset, dial toll free at 113

From a landline/IP phone, dial toll free at 0800-919-0113

If you cannot reach a toll free number, use the number (charges apply) below for your service area:

Hokkaido Area, Tohoku Area, Hokuriku Area, Kanto & Koshinetsu Area: 022-380-4380

Kansai Area: 06-7669-0180

Chugoku Area, Shikoku Area, Kyushu & Okinawa Area: 092-687-0010

Smartphone Technical Support Center

From a SoftBank handset, dial toll free at 151

From a landline/IP phone, dial toll free at 0800-1700-151

SoftBank Global Call Center

From outside Japan, dial +81-92-687-0025 (toll free from SoftBank handsets)

If handset is lost/stolen, call this number immediately (international charges apply)

Safety Precautions

Read Safety Precautions before using handset.

Observe precautions to avoid injury to self or others, or damage to property.

↓ [Safety Precautions](#)

↓ [Handset, USIM Card, TV Antenna Cable, AC Adaptor \(Sold Separately\), Micro USB Cable \(Optional Accessory\), SD Card \(Sold Separately\) \(Common\)](#)

↓ [Handset](#)

↓ [AC Adaptor \(Sold Separately\)](#)




↓ [USIM Card](#)

↓ [TV Antenna Cable](#)

↓ [Handset Use & Electronic Medical Devices](#)

Safety Precautions

These labels show degree of risk from improper use.

Label	Description
 DANGER	Great risk of death or serious injury ¹
 WARNING	Risk of death or serious injury ¹
 CAUTION	Risk of minor injury ² or property damage ³







1 Serious injury: This refers to loss of sight, injury, burns (high- and low-temperature), electric shock, broken bones, injuries with residual aftereffects from poisoning, etc., and injuries requiring hospital admission for treatment or long-term hospital attendance as an outpatient.

2 Minor injury: This refers to injuries, burns (high- and low-temperature), electric shock, etc. that do not require hospital admission for treatment or long-term hospital attendance as an outpatient.

3 Property damage: This refers to extended damage to buildings, furniture, livestock, pets, etc.

These symbols signify prohibited/compulsory actions.

Symbol	Description
--------	-------------

 Prohibited	Prohibited actions
 Do Not Disassemble	Disassembly prohibited
 Avoid Liquids Or Moisture	Exposure to liquids prohibited
 Do Not Use Wet Hands	Use with wet hands prohibited
 Compulsory	Compulsory actions
 Disconnect Power Source	Unplug from outlet

Handset, USIM Card, TV Antenna Cable, AC Adaptor (Sold Separately), Micro USB Cable (Optional Accessory), SD Card (Sold Separately) (Common)

DANGER



Prohibited

Do not use, store, or leave in extreme heat or where heat collects, such as fire, heat sources, under a kotatsu (blanketed warming table) or blanket, direct sunlight, inside vehicles in the hot sun, etc.

May cause fire, burns, injury, electric shock, etc.



Prohibited

Keep away from cooking appliances (microwave ovens, induction stoves, etc.) and pressure vessels (e.g., pressure cookers).

May cause fire, burns, injury, electric shock, etc.



Prohibited

Do not subject to or place directly on sand, soil, or mud. Do not touch with dirty hands.

May cause fire, burns, injury, electric shock, etc.

For details on water and dust resistance, see "[Water & Dust Resistance](#)."



Prohibited

Do not charge handset while it is wet with water or other liquids (drinking water, sweat, sea water, pet urine, etc.).

May cause fire, burns, injury, electric shock, etc.

For details on water and dust resistance, see "[Water & Dust Resistance](#)."



Do Not
Disassemble

Do not disassemble or modify.

May cause fire, burns, injury, electric shock, etc.



Avoid Liquids
Or Moisture

Do not wet with water or other liquids (drinking water, sweat, sea water, pet urine, etc.).

May cause fire, burns, injury, electric shock, etc.

For details on water and dust resistance, see "[Water & Dust Resistance](#)."



Avoid Liquids
Or Moisture

Do not let water or other liquids (drinking water, sweat, sea water, pet urine, etc.) enter charging terminals or External Connection Jack.

May cause fire, burns, injury, electric shock, etc.

For details on water and dust resistance, see "[Water & Dust Resistance](#)."



Compulsory

Use optional accessories specified by SoftBank Corp.

Failure to do so may cause fire, burns, injury, electric shock, etc.



WARNING



Prohibited

Do not drop, stomp, throw or subject to excessive force or strong impact/vibration.

May cause fire, burns, injury, electric shock, etc.



Prohibited

Keep conductive materials (metal strip, pencil lead, etc.) away from charging terminals and External Connection Jack. Do not let dust enter them.

May cause fire, burns, injury, electric shock, etc.



Prohibited

Do not cover/wrap with a blanket, etc. while using or charging.

May cause fire, burns, etc.



Compulsory

If charging continues even after specified Charging Time, stop charging.

Failure to do so may cause fire, burns, injury, etc. due to overcharge or for other reasons.



Compulsory

Before entering an area with a risk of flammable gas generation (e.g., a gas station) or where dust is generated, be sure to power off handset and stop charging.

Failure to do so may cause explosion, fire, etc.

When using Osaifu-Keitai[®] at a gas station or similar facility, be sure to power off handset beforehand.

(If NFC/Osaifu-Keitai lock is set, disable it before powering off.)



Compulsory

If there is abnormal odor/sound, smoke, overheating, discoloration, distortion, or other abnormalities, follow these steps.

• Unplug from the outlet.

• Power off handset.

Failure to follow the above steps may cause fire, burns, injury, electric shock, etc.



CAUTION



Prohibited

Do not use if broken.

May cause fire, burns, injury, etc.



Prohibited

Do not place on unstable surfaces; take added care when vibration is set.

Handset or related hardware may fall, resulting in injury, etc.



Prohibited

Do not use or store in a location that is subject to excessive dust, high humidity, or high

temperatures.

May cause fire, burns, electric shock, etc.

For details on water and dust resistance, see "[Water & Dust Resistance](#)."



Prohibited

For use by a child, explain instructions and supervise use.

Failure to do so may cause injury, etc.



Prohibited

Do not leave within the reach of small children.

May cause accidental swallowing, injury, electric shock, etc.



Compulsory

Handset may become hot if used continuously for an extended period or while charging. Be careful of prolonged contact even by accident such as falling asleep.

Handset or AC Adaptor may become hot after prolonged use of applications, call functions, data communication, TV/video viewing functions, etc. or while charging. Prolonged direct contact with hot parts may cause skin irritation, itchiness, rashes, low-temperature burns, etc. depending on your physical condition.

Handset

 **DANGER**



Prohibited

Do not throw into a fire or apply heat.

Internal Battery may ignite, burst, overheat, or leak, causing fire, burns, injury, etc.



Prohibited

Do not apply excessive force; do not puncture with a nail or other sharp-pointed object, hit with a hammer or other hard object, or stomp.

Internal Battery may ignite, burst, overheat, or leak, causing fire, burns, injury, etc.



Compulsory

If substances in Internal Battery get in eyes, do not rub; rinse with clean water and consult a

doctor immediately.

Eye contact with substances in Internal Battery may cause loss of sight or other physical harm.



Compulsory

If substances in Display get in eyes or mouth, do not rub; rinse with clean water and consult a doctor immediately.

Substances in Display may cause loss of sight or other physical harm.



WARNING



Prohibited

Do not shine Mobile Light close to eyes. Maintain a safe distance, especially from small children.

May cause visual impairment or other problems; may temporarily affect eyesight or startle, leading to injury or other accident.



Prohibited

Do not point Mobile Light at drivers when it is turned on.

May hinder driving performance, leading to an accident.



Prohibited

Do not stare at Display for a long period when it is flickering.

May cause spasms, loss of consciousness, etc.



Prohibited

Do not let water or other liquids (drinking water, sweat, sea water, pet urine, etc.) or a foreign object (metal strip, flammable material, etc.) enter USIM Card Slot or SD Card Slot.

In addition, insert USIM Card and SD Card into correct openings in correct orientation.

May cause fire, burns, injury, electric shock, etc.



Prohibited

Do not expose Camera lens to direct sunlight for an extended period.

May cause fire, burns, injury, etc. due to light-collecting mechanism of the lens.



Compulsory

Power off handset or activate Airplane mode before boarding an airplane.

Handset use on airplanes is restricted; follow the instructions given by the respective airlines.

Handset use may adversely affect an airplane's electronic devices.

If you engage in a prohibited activity while using handset on an airplane, you may be punished by law.



Compulsory

Regarding handset use in a hospital, follow the instructions given by the respective medical institution.

Power off handset where handset use is prohibited.

Handset use may adversely affect operation of electronic devices and electronic medical devices.



Compulsory

When you are on a handsfree call, while ringtone is playing, when in standby, etc., be sure to keep handset at a safe distance from your ears.

When you attach earphones-microphone to handset and play games, videos, or music, adjust the volume to a comfortable level beforehand.

Excessive volume and prolonged, continuous use of earphones-microphone may impair hearing.

In addition, not being able to hear surroundings may cause an accident.



Compulsory

If you have a weak heart, adjust ringtone vibration and volume as needed.

Failure to do so may adversely affect your heart.



Compulsory

If you are using an electronic medical device, check with its manufacturer or vendor on radio wave effects before using handset.

Handset use may adversely affect operation of electronic medical devices.



Compulsory

Power off handset near electronic devices that employ high precision control systems or weak signals.

Handset use may cause electronic devices to malfunction or may adversely affect the operation.

Take added care near these devices: Hearing aids, implanted pacemakers/defibrillators and other electronic medical devices; other automatic control devices. If you are using an electronic medical

device such as an implanted pacemaker/defibrillator, check with its manufacturer or vendor on radio

wave effects.



Compulsory

If Display or Camera lens breaks, be careful with shards of broken tempered glass and exposed handset parts.

Touching the broken or exposed parts may cause burns, injury, electric shock, etc.



Compulsory

If Internal Battery leaks or there is abnormal odor, discontinue use immediately and keep sources of flame away.

Leaked fluid may catch fire, causing the battery to ignite, burst, etc.



Compulsory

Do not let your pet bite handset.

Internal Battery may ignite, burst, overheat, or leak, causing fire, burns, injury, etc.



CAUTION



Prohibited

Do not swing handset grasping strap.

May result in hitting yourself, other persons, or nearby objects, causing injury or other accident.



Prohibited

When using the motion sensor and electromagnetic sensor, make sure of the safety around you and hold handset firmly; do not swing with excessive force.

Failure to do so may cause injury or other accident.



Prohibited

If Display breaks and internal substances leak, do not let them come into contact with skin (face, hands, etc.) or clothes.

May cause loss of sight, skin damage, etc.

If internal substances get in eyes or mouth or if they come into contact with skin or clothes, rinse with clean water immediately.

In case of contact with eyes or mouth, consult a doctor immediately after rinsing.



Prohibited

Do not dispose of handset with regular trash.

May cause fire, burns, injury, etc. due to ignition; may adversely affect the environment. When handset is no longer needed, take it to a SoftBank shop, or follow the local regulations regarding handset collection.



Prohibited

If substances in Internal Battery leak, do not let them come into contact with skin (face, hands, etc.) or clothes.

May cause loss of sight, skin damage, etc.

If internal substances get in eyes or mouth or if they come into contact with skin or clothes, rinse with clean water immediately.

In case of contact with eyes or mouth, consult a doctor immediately after rinsing.



Compulsory

Before using handset in a vehicle, check with the manufacturer or dealer of the vehicle on radio wave effects.

In rare cases, handset use may adversely affect operation of on-vehicle electronic devices, depending on the type of vehicle. If this occurs, discontinue use immediately.



Compulsory

For any skin abnormalities associated with handset use, discontinue use and consult a doctor immediately.

Handset use may cause itchiness, skin irritation, rashes, etc. depending on your physical condition.

For details on materials used for handset parts, see "[Materials](#)."



Compulsory

Earpiece, Speaker, and Camera have magnetic parts; make sure that no metal strip (a craft knife blade, staple, etc.) is adhered.

Metal strip on handset may cause injury, etc.



Compulsory

See Display in a sufficiently bright place at a reasonable distance.

Seeing in a dark place or at a close distance may deteriorate vision or cause other problems.

AC Adaptor (Sold Separately)

WARNING



Prohibited

Do not use AC Adaptor if the cord is damaged.

May cause fire, burns, electric shock, etc.



Prohibited

Do not use AC Adaptor in high humidity (e.g., in bathrooms).

May cause fire, burns, electric shock, etc.



Prohibited

Do not touch AC Adaptor if thunder is audible.

May cause electric shock, etc.



Prohibited

Do not short-circuit charging terminals when AC Adaptor is plugged into the outlet. In addition, keep your hands and other body parts away from charging terminals.

May cause fire, burns, electric shock, etc.



Prohibited

Do not place a heavy object on top of AC Adaptor cord; do not apply excessive force by pulling, etc.

May cause fire, burns, electric shock, etc.



Prohibited

When plugging/unplugging AC Adaptor into/from the outlet, keep metal objects (e.g., metal straps) away.

Failure to do so may cause fire, burns, electric shock, etc.



Prohibited

Do not use AC Adaptor with a voltage converter designed for overseas travel.

May cause ignition, overheating, electric shock, etc.



Prohibited

When AC Adaptor is connected to handset, do not apply excessive force to the connection.
May cause fire, burns, injury, electric shock, etc.



Do Not Use
Wet Hands

Do not touch AC Adaptor cord, charging terminals, or power plug with wet hands.
May cause fire, burns, electric shock, etc.



Compulsory

Use at the specified power supply voltage.
When charging handset overseas, use AC Adaptor designed for overseas use.
Use at other power supply voltages may cause fire, burns, electric shock, etc.
AC Adaptor: AC 100 V (connect to a household AC outlet only)
AC Adaptor designed for overseas use: AC 100 V - 240 V (connect to a household AC outlet only)



Compulsory

Clean off dust on plug.
Using Charger when dust is on plug may cause fire, burns, electric shock, etc.



Compulsory

Plug AC Adaptor into the outlet firmly.
Failure to do so may cause fire, burns, electric shock, etc.



Compulsory

When unplugging from the outlet, grasp AC Adaptor and pull, without forcefully pulling cord.
Pulling the AC Adaptor cord may damage the cord, causing fire, burns, electric shock, etc.



Compulsory

When inserting/removing Micro USB plug into/from handset, insert/remove it straight into/from Jack, without forcefully pulling cord.
Inserting/removing in an incorrect orientation may cause fire, burns, injury, electric shock, etc.



Compulsory

If charging terminals become bent or deformed, discontinue use immediately. In addition, do not use AC Adaptor by restoring the terminals to their original state.

May cause fire, burns, injury, electric shock, etc. due to short-circuiting of charging terminals.



Disconnect
Power Source

Unplug AC Adaptor from the outlet when not in use.

Leaving it plugged in may cause fire, burns, injury, electric shock, etc.



Disconnect
Power Source

If water or other liquids (drinking water, sweat, sea water, pet urine, etc.) enter, unplug from the outlet immediately.

Failure to do so may cause fire, burns, electric shock, etc.



Disconnect
Power Source

Before cleaning, unplug AC Adaptor from the outlet.

Cleaning AC Adaptor without unplugging it may cause fire, burns, electric shock, etc.



CAUTION



Prohibited

Do not touch AC Adaptor for long periods when it is plugged into the outlet.

May cause burns, etc.

USIM Card



CAUTION



Compulsory

When handling USIM Card, be careful with cut edges so as not to damage your hands or other body parts.

May cause injury, etc.

TV Antenna Cable



WARNING



Compulsory

If there is abnormal odor/sound, smoke, overheating, discoloration, distortion, or other abnormalities, disconnect TV Antenna Cable.

Failure to do so may cause fire, burns, injury, electric shock, etc.



Compulsory

When disconnecting TV Antenna Cable from handset, grasp plug and pull, without forcefully pulling cord.

Pulling the cord may damage the cord, causing fire, burns, electric shock, etc.



Prohibited

Do not touch TV Antenna Cable if thunder is audible.

May cause electric shock, etc.



Prohibited

Do not place a heavy object on top of TV Antenna Cable; do not apply excessive force by pulling, etc.

May cause fire, burns, electric shock, etc.



Prohibited

When connecting/disconnecting TV Antenna Cable to/from handset, keep metal objects (e.g., metal straps) away.

Failure to do so may cause fire, burns, electric shock, etc.



Do Not Use
Wet Hands

Do not touch TV Antenna Cable with wet hands.

May cause fire, burns, electric shock, etc.



Prohibited

TV Antenna Cable is not water or dust proof.

Do not use or store in a location that is subject to excessive dust, high humidity, or high temperatures.

May cause fire, burns, electric shock, etc.

Handset Use & Electronic Medical Devices



WARNING



Compulsory

If you are using an electronic medical device (implanted pacemaker, implanted defibrillator, etc.), carry or use handset at least 15 cm away from where the device is.

Radio waves may adversely affect operation of electronic medical devices.



Compulsory

Before using an electronic medical device other than an implanted pacemaker or implanted defibrillator outside a medical institution (for home treatment, etc.), check with its manufacturer on radio wave effects.

Radio waves may adversely affect operation of electronic medical devices.



Compulsory

In a situation where you may not be able to maintain a distance of at least 15 cm from other persons, such as when your movement is restricted, disable radio wave emission by activating Airplane mode, powering off handset, etc.

There may be persons with an electronic medical device (implanted pacemaker, implanted defibrillator, etc.) nearby. Radio waves may adversely affect operation of electronic medical devices.



Compulsory

Regarding handset use in a medical institution, follow the instructions given by the medical institution.

Handset use may adversely affect operation of electronic medical devices.

Important Product Information

- ↓ [General Use](#)
- ↓ [Heat from Handset Use](#)
- ↓ [Camera](#)
- ↓ [TV](#)
- ↓ [In-Call/Transmission Cautions](#)
- ↓ [Urgent News \(Application\)](#)
- ↓ [Technical Regulations Conformity Certification](#)
- ↓ [Voluntary Control of Radio Interference](#)

General Use

- If your USIM Card or handset (with USIM Card inserted) is lost or stolen, suspend your service immediately. For details, contact SoftBank Customer Support, [General Information](#).
- Handset transmissions may be disrupted inside buildings, tunnels or underground, or when moving into/out of such places; may affect calls.
- Use handset without disturbing others.
- Handsets are radios as stipulated by the Radio Law. Under the Radio Law, handsets must be submitted for inspection upon request.
- Charging by USB takes longer than by household AC outlet. Charging may not be possible/take a long time depending on connection and computer conditions.
- Handset use near landlines, TVs or radios may cause interference.
- Beware of eavesdropping.
Because this service is completely digital, the possibility of signal interception is greatly reduced. However, some transmissions may be overheard.
 - Eavesdropping
Deliberate/accidental interception of communications constitutes eavesdropping.
- Beware of harmful/malicious websites. Take added care when posting personal information.
- Display uses liquid crystal.
When wearing polarized sunglasses and depending on the angle, the screen may appear dark or distorted.
- An export license may be required to carry handset into other countries if it is to be used by or transferred to another person. However, no such license is required when taking handset abroad for personal use on a vacation or business trip and then bringing it back.

Export control regulations in the United States provide that an export license granted by the US government is required to carry handset into Cuba, Iran, North Korea, Sudan or Syria.

Heat from Handset Use

- Handset internal temperature may increase depending on usage or environment, causing handset to become warm. (Handset may stop charging or Display brightness may be adjusted for safety.) If handset continues to be used while warm, warning appears and handset powers off after approximately 3 minutes. Exit all applications and turn off Display to let handset cool down.
- Continuing to use Camera while handset is warm causes warning to appear, after which Camera saves captured image data and exits.

Camera

- Mind etiquette when using Camera.
- Test Camera before shooting special moments.
- Do not use Camera in places where shooting is prohibited.
- Shot images may not be used/transferred without copyright holder (photographer) permission, except for personal use.

TV

- Handset transmissions may be disrupted inside buildings, tunnels or underground, or when moving into/out of such places; may affect TV viewing.
- As handset transmissions differ according to where used, TV viewing may not be possible in some areas. View in a location with good handset transmission.






In-Call/Transmission Cautions

- During calls/transmissions, calling/transmission charges/fees apply even if other functions or operations are simultaneously in use.
- Transmissions involving JavaScript may incur high charges.

Urgent News (Application)





- Urgent News is enabled by default (handset receives alerts).
- Alert tones are muted in Manner mode.
- Alerts are not received during calls/transmissions or in poor signal conditions.
(Alerts can be received during voice calls over VoLTE.)
- Depending on usage/situation, handset may receive alerts for other areas or no alerts.
- Standby Time may decrease when Urgent News is enabled.
- SoftBank Corp. cannot be held liable for any damages associated with this service, including accidents resulting from received information, reception timing or reception failure.

Technical Regulations Conformity Certification

Handset conforms to technical regulations pursuant to the Radio Law and the Telecommunications Business Law. To check technical regulations conformity certification information (e.g., ):
In Home Screen, flick hot sheet up   (Settings)  About phone  Authentication

Voluntary Control of Radio Interference

Handset conforms to technical regulations pursuant to the Rules for Voluntary Control Measures of VCCI; the corresponding conformity mark is shown on electronic rating plate on handset. To check the electronic rating plate:

In Home Screen, flick hot sheet up   (Settings)  About phone  Authentication

Handset & Hardware Care

↓ Handset & Hardware Care

↓ USIM/SD Card Insertion/Removal

↓ Display (Touchscreen)

↓ TV Antenna Cable

↓ Earphones-Microphone

↓ Self Check

↓ Forcing Power Off

↓ Bluetooth® Function

↓ Wi-Fi (Wireless LAN)

Handset & Hardware Care

- Use handset within 5°C - 35°C and 35% - 90% humidity.
For use in bathrooms, see "[Cautions for Use in a Bathroom.](#)"
- Avoid extreme temperature or direct sunlight.
- Handset/Internal Battery may become warm during operation or while charging. This is normal.
- Warranty does not cover malfunctions resulting from misuse.
- Clean handset with a soft dry cloth. Alcohol/solvent use may fade color/print.
- Avoid scratching Display.
- Avoid heavy objects or excessive pressure. May cause malfunction or injury.
 - Do not sit on handset in back pants pocket.
 - Do not place heavy objects on handset inside handbags, packs, etc.
- Handset back cover is not removable. Do not try to remove it; may cause damage or malfunction, or affect water and dust resistance.
- Connect only specified products to Jacks. Other devices may malfunction or cause damage.
- Do not power off while using SD Card; may result in data loss or malfunction.
- When walking outside, moderate handset volume to avoid accidents.
- If thunder is audible while outdoors, discontinue use; there is a risk of lightning strike or electric shock.
- When holding handset, do not block Earpiece, Mic, Speaker, or Recorder Mic.
- Proximity Sensor prevents Touchscreen misoperation during calls. Do not cover or place a sticker/label over Proximity Sensor; Display may remain off during calls, disabling handset

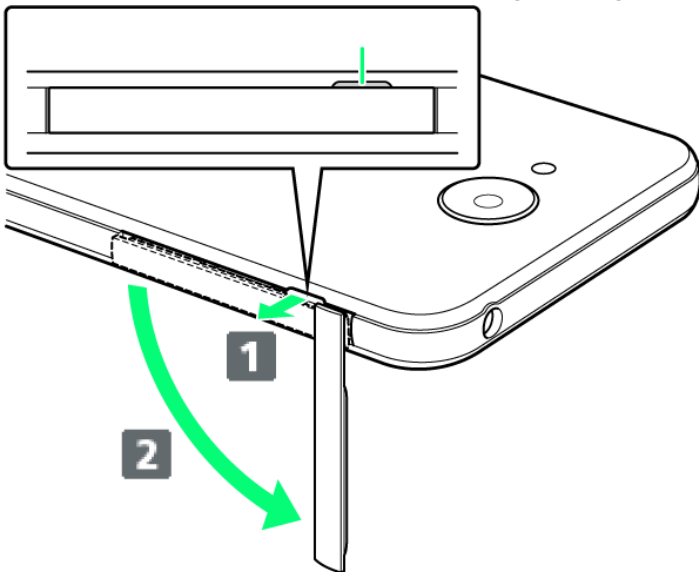
operation.

- If your hair is between Earpiece and your ear during calls, Proximity Sensor may not function properly.
Display may remain on; touching Display accidentally may end the call.
- Do not cover Light Sensor or place a sticker/label over it; may hinder ambient light detection, resulting in malfunction of Light Sensor.
- Handset Earpiece is located at the center of Display upper end. If other party's voice is hard to hear during calls, hold handset so that Earpiece is next to your earhole for better audibility.

USIM/SD Card Insertion/Removal

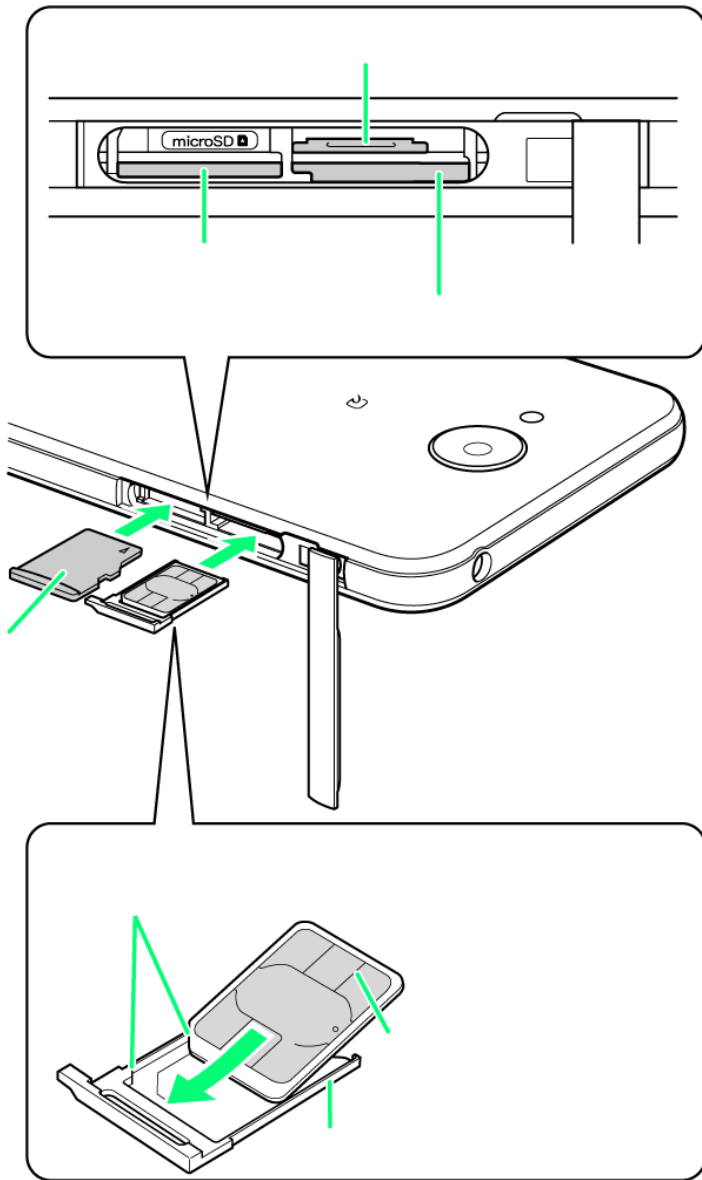
1

Open Card Slot Cap by hooking a finger on notch



2

Insert/remove USIM/SD Card

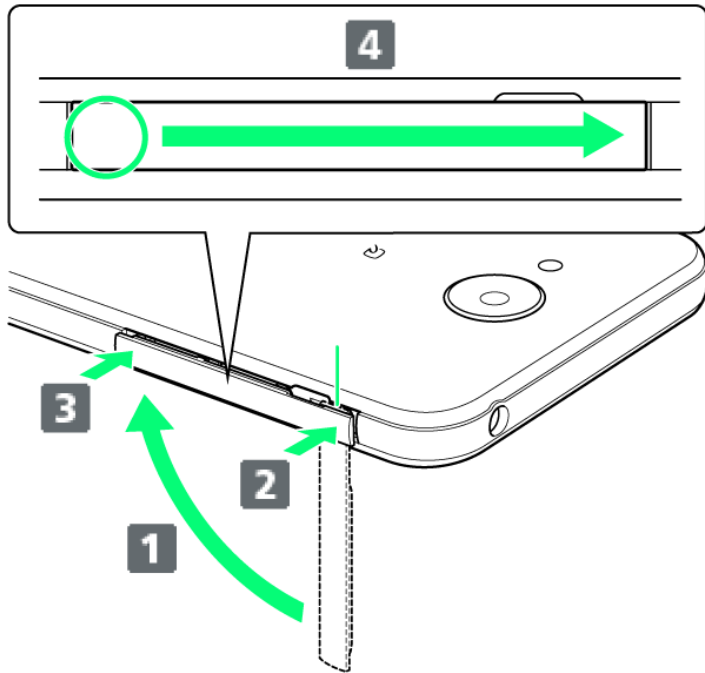


- Insert USIM Card and SD Card into correct openings in correct orientation.
- USIM Card Insertion/Removal
 - Always power off before insertion/removal.
 - Set USIM Card in USIM Tray beforehand. Do not insert USIM Card without setting it in USIM Tray.
 - Place USIM Card in USIM Tray, noting its orientation; align notches with IC (gold) chip facing up.
 - Make sure USIM Card is in USIM Tray. Inserting USIM Tray with USIM Card on its edge may cause damage.
 - Do not insert USIM Tray upside down.
 - When removing USIM Tray, do not pull it forcefully or at an angle; damage may result. Gently pull it out horizontally from the edge.
 - When inserting empty USIM Tray, do not insert it at an angle; damage may result. Check orientation of USIM Tray, then gently insert it all the way horizontally.
- SD Card Insertion/Removal
 - Unmount SD Card beforehand.

•When removing SD Card, lightly push it in and release finger (SD Card pops out slightly); gently pull it out horizontally.

3

Close Card Slot Cap





- Push Card Slot Cap as shown (**1** and **2**) to close, then push it firmly all the way from circled area (O) to hinge as shown (**3**) so that there is no gap between handset and Card Slot Cap.

Display (Touchscreen)

Handset Display is Touchscreen.

If Display is wet, wipe it with a soft cloth.

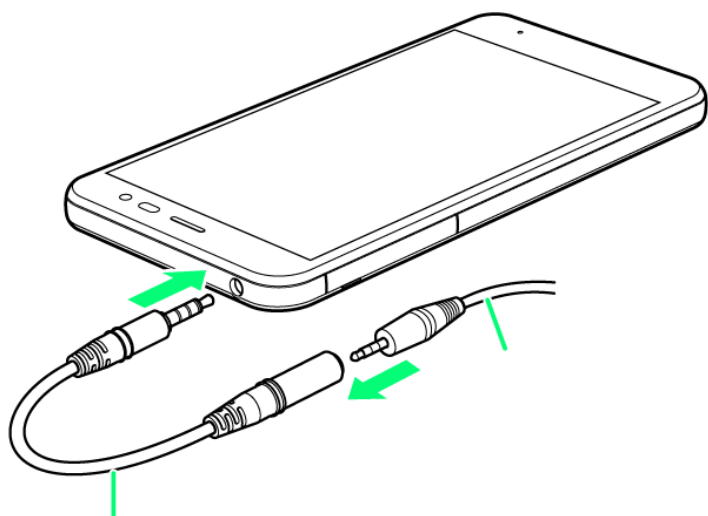
- Touchscreen may not respond in these situations:
 - Use with gloves/long fingernails
 - Use of pens, pencils or sharp objects
 - Use with objects on/against Display
 - Use while wet
- To prevent malfunctions, do not:
 - Touch Display with wet fingers
 - Use if Display is wet
 - Subject Display to force/pressure

- Place a sticker or shield (commercially-available protective film, privacy protector shield, etc.) on Display
- In the following cases, Press  to turn off Display, Press  again to turn on Display and then operate handset.
 - Handset operates automatically without touch input
 - Handset does not respond to touch input

TV Antenna Cable

To view or record TV, connect TV Antenna Cable to Earphones-Microphone Jack.

- Earphones with Mic (SHLDL1; optional accessory) can be connected to use with TV Antenna Cable.
- Insert plug firmly. If plug is not inserted all the way, broadcasts may not be received or audio may not be heard.
- As connection may be poor if Jack is dirty, clean with a dry cotton swab, etc. Avoid damaging Jack when cleaning.
- Do not deform TV Antenna Cable plug or Earphones-Microphone Jack. Deforming may cause malfunction.
- Bringing earphone cord, etc. close to handset may result in noise.



Earphones-Microphone

Earphones with Mic (SHLDL1) are available for separate purchase. Other earphones-microphone may not function properly on handset.

- Do not subject Earphones-Microphone Jack to strong impact while using earphones-microphone; may affect water and dust resistance.


Self Check

If handset is unstable, diagnose the cause as follows.

In Home Screen, flick hot sheet up → ⚙️ (Settings) → Useful → Self check → Follow onscreen prompts

Forcing Power Off

If handset has stopped processing or won't respond to operation, power off forcibly as follows.

-  (Long Press for at least 8 seconds)

Release finger after vibration; handset powers off.

Bluetooth[®] Function

SoftBank Corp. is not liable for any damages resulting from data/information leakage due to use of handset Bluetooth[®] function.

■ Precautions

The frequency band utilized by handset Bluetooth[®] function is shared with industrial, scientific or medical equipment, including household microwave ovens, and used by radio stations, amateur radio stations, etc. (hereafter "other radio stations").

1. Before using Bluetooth[®], visually check that no other radio stations sharing the same frequency band are in use nearby.
2. Should interference occur between handset and other radio stations, move it to a different location or cancel Bluetooth[®] function immediately.
3. For additional information and support, contact SoftBank Customer Support, General Information: From a SoftBank handset, call toll free at 157. To call toll free from a landline/IP phone, see "[Customer Service](#)."

• Frequency Band

This radio station utilizes 2.4 GHz band.

FH1 indicates FHSS modulation with maximum transmission radius of 10 meters.

XX4 indicates a different modulation scheme with maximum transmission radius of 40 meters.

It is not possible for the radio station to avoid using the frequency band of a mobile unit identification apparatus.



Wi-Fi (Wireless LAN)

Wireless LAN (hereafter "Wi-Fi") uses radio waves to enable communication between compatible devices within range. However, it is advisable for the user to configure security settings to avoid risk of data interception.

- Do not use Wi-Fi near electrical appliances, audiovisual equipment or office automation equipment; may affect Wi-Fi transmission speed, availability, clarity, etc. (Especially when a microwave oven is in use.)
- If there are multiple access points nearby, handset may not detect access points correctly.

■ Precautions

The frequency band utilized by handset Wi-Fi is shared with industrial, scientific or medical equipment, including household microwave ovens, and used by radio stations, amateur radio stations, etc. (hereafter "other radio stations").

1. Before using Wi-Fi, visually check that no other radio stations sharing the same frequency band are in use nearby.
2. Should interference occur between handset and other radio stations, move it to a different location or disable Wi-Fi immediately.
3. For additional information and support, contact SoftBank Customer Support, General Information: From a SoftBank handset, call toll free at 157. To call toll free from a landline/IP phone, see "[Customer Service](#)."

• Frequency Band

This radio station utilizes 2.4 GHz band with DSSS-OFDM modulation. Maximum transmission radius is 40 meters.



■ Simultaneous Use with Bluetooth®

Wi-Fi (IEEE 802.11b/g/n) and Bluetooth® transmit on the 2.4 GHz band. Enabling handset Bluetooth® or using Bluetooth® devices near handset may affect Wi-Fi transmission speed, availability and clarity. Should interference occur, cancel handset Bluetooth® or discontinue Bluetooth® device use.

- Handset supports Wi-Fi channels 1 - 13. Handset does not connect to access points set to other channels.
- Available channels vary by country.
- For use of Wi-Fi aboard aircraft, check with airline beforehand.
- In some countries/regions, there are restrictions on the use of Wi-Fi. Check the local laws and regulations before using Wi-Fi on handset abroad.

General Notes

"606SH" here refers to this mobile phone "AQUOS ea."

↓ [Portrait Rights](#)

↓ [Copyrights](#)

↓ [Open Source Software](#)

↓ [Regulatory Information](#)

↓ [Description of Accessories](#)

↓ [Frequency Range of Supported Bands in EU](#)

↓ [Maximum Transmit Power](#)

↓ [Battery Cautions](#)

↓ [Volume Level Caution](#)

↓ [Stand-by Mark](#)

↓ [FCC Notice](#)

Portrait Rights

Portrait rights protect individuals' right to refuse to be photographed or to refuse unauthorized publication/use of their photographs. Portrait rights consist of the right to privacy, which is applicable to all persons, and the right to publicity, which protects the interests of celebrities. Therefore, photographing others including celebrities and publicizing/distributing their photographs without permission is illegal; use Camera responsibly.

Copyrights

Copyright laws protect sounds, images, computer programs, databases, other materials and copyright holders. Duplicated material is limited to private use only. Use of materials beyond this limit or without copyright holder permission may constitute copyright infringement, and be subject to criminal punishment. Comply with copyright laws when using images shot with Camera.






The software contained in handset is copyrighted material; copyright, moral right and other related

rights are protected by copyright laws. Do not copy, modify, alter, disassemble, decompile or reverse-engineer the software; do not separate it from hardware in whole or part.

Open Source Software

- Handset contains software based on GNU General Public License (GPL), GNU Lesser General Public License (LGPL), and other licenses.

To check details of relevant software licenses:

In Home Screen, flick hot sheet up   (Settings)  About phone  Legal information  Open source licenses

- The source code of software based on GPL, LGPL, and Mozilla Public License (MPL) is provided on the following website free of charge.

<http://k-tai.sharp.co.jp/support/developers/oss/> (Japanese)

Regulatory Information

Hereby, SHARP CORPORATION declares that the radio equipment type 606SH is in compliance with Directive 2014/53/EU.

The full text of the EU declaration of conformity is available at the following internet address:

<http://www.sharp.co.jp/k-tai/>

Manufacturer's Address:

SHARP CORPORATION,

1 Takumi-cho, Sakai-ku, Sakai-shi,

Osaka 590-8522, Japan

Description of Accessories

Item	Description
Headset, Handsfree	ø3.5 audio jack, Bluetooth.
Micro USB cable	For charging, peripherals, etc.
microSD Card	microSD / microSDHC / microSDXC
nano USIM card	SoftBank USIM card / non-SoftBank USIM cards Non-SoftBank USIM cards can be used after SIM-unlocking the handset.

Frequency Range of Supported Bands in EU

Item	Description
GSM 900	Tx 880.2 to 914.8 MHz Rx 925.2 to 959.8 MHz
DCS 1800	Tx 1710.2 to 1784.8 MHz Rx 1805.2 to 1879.8 MHz
WCDMA FDD I	Tx 1922.4 to 1977.6 MHz Rx 2112.4 to 2167.6 MHz
WCDMA FDD VIII	Tx 882.4 to 912.6 MHz Rx 927.4 to 957.6 MHz
LTE Band 1	Tx 1922.5 to 1977.5 MHz Rx 2112.5 to 2167.5 MHz
LTE Band 3	Tx 1710.7 to 1784.3 MHz Rx 1805.7 to 1879.3 MHz
Bluetooth	Tx 2402 to 2480 MHz Rx 2402 to 2480 MHz
WLAN 2.4 GHz	Tx/Rx 2412 to 2472 MHz (BW: 20 MHz only)
NFC	Tx/Rx 13.56 MHz
GNSS	GPS:Rx L1 (1575.42 MHz) GLONASS:Rx G1 (1598.0625 to 1605.375 MHz)

Maximum Transmit Power

Item	Description
GSM 900	+33 dBm (Power Class 4)
DCS 1800	+30 dBm (Power Class 1)
WCDMA FDD I	+24 dBm (Power Class 3)
WCDMA FDD VIII	+24 dBm (Power Class 3)
LTE Band 1	+23 dBm (Power Class 3)
LTE Band 3	+23 dBm (Power Class 3)
Bluetooth	+9.0 dBm (Power Class 1)
WLAN 2.4 GHz	+14.5 dBm
NFC	-10 dB μ A/m at 10 m

Battery Cautions

Use specified Charger only.

Non-specified equipment use may cause Internal Battery to leak, overheat, burst or ignite, and may cause Charger to overheat, ignite, malfunction, etc.

Battery is built into handset. Do not dispose of handset with ordinary refuse; take it to a SoftBank Shop for appropriate disposal.

Charge handset in ambient temperature 5°C - 35°C; Internal Battery may leak/overheat and performance may deteriorate outside this range.

Volume Level Caution

To prevent possible hearing damage, do not listen at high volume levels for long periods.



■ Headphone Signal Level

The maximum output voltage for Music Player function, measured in accordance with EN 50332-2, is 116 mV.

Stand-by Mark

: This symbol means the stand-by on/off.

FCC Notice

This device complies with part 15 of the FCC Rules. Operation is subject to the following two conditions:

(1) This device may not cause harmful interference, and (2) this device must accept any interference received, including interference that may cause undesired operation.

Changes or modifications not expressly approved by the manufacturer responsible for compliance could void the user's authority to operate the equipment.

■ FCC Information to User

This equipment has been tested and found to comply with the limits of a Class B digital device, pursuant to Part 15 of the FCC Rules.

These limits are designed to provide reasonable protection against harmful interference in a residential installation. This equipment generates, uses and can radiate radio frequency energy and, if not installed and used in accordance with the instructions, may cause harmful interference to radio communications.

However, there is no guarantee that interference will not occur in a particular installation; if this equipment does cause harmful interference to radio or television reception, which can be determined by turning the equipment off and on, the user is encouraged to try to correct the interference by one or more of the following measures:

1. Reorient/relocate the receiving antenna.
2. Increase the separation between the equipment and receiver.
3. Connect the equipment into an outlet on a circuit different from that to which the receiver is connected.
4. Consult the dealer or an experienced radio/TV technician for help.

Radio Wave Exposure and Specific Absorption Rate (SAR) Information

【606SH】 here refers to this mobile phone 【AQUOS ea】.

↓ [Specific Absorption Rate \(SAR\) for This Product \(for Japan\)](#)

↓ [European RF Exposure Information/FCC RF Exposure Information](#)

Specific Absorption Rate (SAR) for This Product (for Japan)

This mobile phone 【606SH】 meets the Japanese technical regulations* and international guidelines for exposure to radio waves.

The Japanese technical regulations for exposure to radio frequency energy established permitted levels of radio frequency energy, based on standards developed by independent scientific organizations through periodic and thorough evaluation of scientific studies.

The regulation employs a unit of measurement known as the Specific Absorption Rate, or SAR.

The SAR limit is 2 watts/kilogram (W/kg) averaged over ten grams of tissue.

The limit includes a substantial safety margin designed to assure the safety of all persons, regardless of age and health.

The value of the limit is equal to the value given in international guidelines recommended by ICNIRP**, which is in collaboration with the World Health Organization (WHO).

The highest SAR value for this mobile phone is ●.●●● W/kg*** when tested for use at the ear, and ●.●●● W/kg*** when worn on the body in the below manner****.

While there may be differences between the SAR levels of various phones and at various positions, all phones meet the Japanese technical regulations.

Although the SAR is determined at the highest certified power level, the actual SAR of the phone during operation can be well below the maximum value.

Use at positions other than at the ear****

This mobile phone may be used at positions other than at the ear. By using an accessory such as a belt clip holster that maintains a ●.● cm separation with no metal (parts) between the body and the mobile phone, this mobile phone will comply with international guidelines for radio wave protection.

* The technical regulation is provided in Article 14-2 of the Ministry Ordinance Regulating Radio Equipment.

** International Commission on Non-Ionizing Radiation Protection

*** The value is ●●● under simultaneous transmission use conditions.

The World Health Organization has announced that "A large number of studies have been performed over the last two decades to assess whether mobile phones pose a potential health risk. To date, no adverse health effects have been established as being caused by mobile phone use."

For more information about SAR, see the following websites:

Ministry of Internal Affairs and Communications (MIC)

<http://www.tele.soumu.go.jp/e/sys/ele/body/index.htm>

Association of Radio Industries and Businesses (ARIB)

<http://www.arib-emf.org/01denpa/denpa02-02.html> (Japanese)

European RF Exposure Information/FCC RF Exposure Information

This mobile phone **【606SH】** is confirmed to comply with guidelines relating to effects of radio wave exposure as set forth by the Council of Europe (CE) and the Federal Communications Commission (FCC). Refer to the following.

■European RF Exposure Information

Your mobile device is a radio transmitter and receiver. It is designed not to exceed the limits for exposure to radio waves recommended by international guidelines. These guidelines were developed by the independent scientific organization ICNIRP and include safety margins designed to assure the protection of all persons, regardless of age and health. The guidelines use a unit of measurement known as the Specific Absorption Rate, or SAR. The SAR limit for mobile devices is 2.0 W/kg and the highest SAR value for this device when tested at the ear is 0.552 W/kg*. As mobile devices offer a range of functions, they can be used in other positions, such as on the body. In this case, the highest tested SAR value is 1.201 W/kg* at the separation distance of 0.5 cm from the body. For electronic safety, maintain the separation distance with accessories containing no metal, that position handset a minimum of the above distance. Use of other accessories may not ensure compliance with RF exposure guidelines.

* The tests are carried out in accordance with international guidelines for testing.

Simplified Declaration of Conformity for **【606SH】**

Hereby, SHARP CORPORATION declares that the radio equipment type 【606SH】 is in compliance with Directive 2014/53/EU. The full text of the EU declaration of conformity is available at the following internet address: <http://www.sharp.co.jp/k-tai/>.

■ FCC RF Exposure Information

Your handset is a radio transmitter and receiver. It is designed and manufactured not to exceed the emission limits for exposure to radio frequency (RF) energy set by the Federal Communications Commission of the U.S. Government.

The guidelines are based on standards that were developed by independent scientific organization through periodic and thorough evaluation of scientific studies. The standards include a substantial safety margin designed to assure the safety of all persons, regardless of age and health.

The exposure standard for wireless handsets employs a unit of measurement known as the Specific Absorption Rate, or SAR.

The SAR limit set by the FCC is 1.6 W/kg. The tests are performed in positions and locations (e.g. at the ear and worn on the body) as required by the FCC for each model.

The highest SAR value for this model handset as reported to the FCC when tested for use at the ear is 0.51 W/kg, and when worn on the body in a holder or carry case, is 0.46 W/kg.

Body-worn Operation; This device was tested for typical body-worn operations with the handset kept 1.0 cm from the body. To maintain compliance with FCC RF exposure requirements, use accessories that maintain a 1.0 cm separation distance between the user's body and the handset. The use of beltclips, holsters and similar accessories should not contain metallic components in its assembly.

The use of accessories that do not satisfy these requirements may not comply with FCC RF exposure requirements, and should be avoided. The FCC has granted an Equipment Authorization for this model handset with all reported SAR levels evaluated as in compliance with the FCC RF emission guidelines. SAR information on this model handset is on file with the FCC and can be found under the Display Grant section of <http://www.fcc.gov/oet/ea/> after searching on FCC ID APYHRO00250.

Additional information on Specific Absorption Rates (SAR) can be found on the FCC website at <https://www.fcc.gov/general/radio-frequency-safety-0>.

FCC ID Location

The device is electronically labeled and the FCC ID can be displayed from the home screen as follows:  (Settings) → About phone → Authentication.

The World Health Organization has stated that present scientific information does not indicate the need for any special precautions for the use of mobile devices. They note that if you want to reduce your exposure then you can do so by limiting the length of calls or using a hands-free device to keep the mobile phone away from the head and body.

World Health Organization

<http://www.who.int/emf>

List of Specific Absorption Rates (SAR) for radio waves by smartphone/3G model

<http://www.softbank.jp/mobile/support/sar/> (Japanese)

Water & Dust Resistance

↓ [Handset Water & Dust Resistance](#)

↓ [Precautions](#)

↓ [Cautions for Use in a Bathroom](#)

↓ [Charging Cautions](#)

↓ [Care & Maintenance](#)

↓ [Washing Handset](#)

↓ [Drying Handset](#)

Handset Water & Dust Resistance

Handset complies with IPX5¹ and IPX8² water protection standards as well as IP6X³ dust protection standard, with Card Slot Cap closed firmly.

1 IPX5 compliant means that a handset continues to function as a phone after being subjected to a water jet (approximately 12.5 liters/min.) discharged from a nozzle (inner diameter: 6.3 mm), from all directions (approximately 3 m from handset) for at least 3 minutes.

2 IPX8 compliant means that a handset continues to function as a phone after being gently submerged to the depth of 1.5 m in still tap water at room temperature, left there for approximately 30 minutes, then removed from it.

3 IP6X compliant means that a handset continues to function as a phone and its safety is maintained after being agitated in a device containing dust of 75 µm or smaller in diameter for 8 hours and then removed from the device.

- Water and dust resistance may be affected under some circumstances. Warranty does not cover malfunctions resulting from misuse.
- Handset is compliant with IPX5 and IPX8 water protection standards as well as IP6X dust protection standard. However, ingress of dirt, sand, mud, metal powder, food, beverage, sea water, etc. may cause malfunction.

■ Handset Care

- Close Card Slot Cap firmly. Debris (hair, sand, fibers, etc.) trapped between gasket and Card Slot may allow ingress of liquid/dust.
- If handset is exposed to liquids with Card Slot Cap open, they may enter handset and cause electric shock or malfunction. Discontinue use and power off.

- If handset is wet, wipe it with a dry cloth.
- Never open/close Card Slot Cap with wet hands or while handset is wet or has a foreign object adhered to it.
- Do not use Earphones-Microphone Jack or External Connection Jack while it is wet or obstructed by sand/dirt; may affect water and dust resistance or may cause malfunction, burns or fire due to electric shock, short-circuiting, etc.
- Handset is only water resistant against fresh/tap water between 5°C - 35°C.

Precautions

- Do not subject handset to soap, detergent, bath powder/oil, sea/pool/spa water, hot water, etc.
- Rinse off sea/pool water, beverage, dirt, sand, mud, etc. immediately with fresh/tap water between 5°C - 35°C; residue may cause malfunction if allowed to dry.
- Do not soak handset in bath or pool; never use it in water (including key operation).
- Handset is not resistant to water pressure. Avoid high-pressure water/shower (over 6 liters/min.) and water immersion.
- Do not expose handset to high humidity for long periods; avoid prolonged use in bath/shower rooms.
- Volume may be low when an opening such as Mic, Recorder Mic, Earpiece or Speaker is wet; dry handset before use (see "[Drying Handset](#)").
- AC Adaptor (sold separately) and optional accessories are not water or dust proof. Do not use in high humidity or near water (outdoors, in bathrooms, shower rooms, etc.); may cause fire, electric shock or malfunction.
- Do not subject handset to strong impact (e.g., from a fall); do not poke Mic, Earpiece, Speaker, Recorder Mic, etc. with a sharp object; may affect water and dust resistance.
- Avoid placing handset directly on sand. Sand may penetrate Earpiece, Speaker, etc., resulting in low volume.
- To prevent condensation, warm handset to room temperature before bringing it from a cold place into a warm place such as a bathroom. If condensation occurs, leave handset at room temperature until it is dry.
- Handset does not float on water.
- Keep handset out of heavy rain.

Cautions for Use in a Bathroom

- Do not let handset get wet with liquids other than tap water at room temperature (spa water, soapy water, detergent solutions, bubble bath water, etc.); do not submerge it in a bathtub. May cause malfunction.

If handset gets exposed to liquids other than tap water or falls in a bathtub, wash it in the specified way.

- Use handset at 5°C - 40°C with humidity of 99% or less, for up to 2 hours.
Note that this does not guarantee continuous operation of all functions.
- After exposing handset to water, be sure to remove moisture and let it dry naturally in the way specified in "[Drying Handset](#)."
Let handset dry naturally after using it in a bathroom or when condensation occurs inside Camera lens, etc.
- Be careful not to splash hot water on handset.
- Extreme temperature changes may cause condensation.
Wait until handset reaches room temperature before bringing it from a cold place into a warm bathroom.
In addition, do not splash cold water on handset when it is warm in a bathroom.
May cause malfunction.
- Never charge handset in a bathroom.
- Depending on the layout and condition of a bathroom, handset may not receive a signal (call functions and data communication may be unavailable).
- If operated with wet hands, handset may not respond or may malfunction.
- Do not use handset with earphones, TV Antenna Cable, or an external device connected.

Charging Cautions

- Never connect Micro USB plug while handset or AC Adaptor is wet.
Handset is water resistant; however, if Micro USB plug is inserted while it is wet, liquid (tap water, beverage, sea water, pet urine, etc.) or a foreign object adhered to handset or Micro USB plug may cause overheating, burnout, fire, malfunction, burns, etc. due to electric shock, short-circuiting, etc.
- Do not use AC Adaptor where water is regularly in use (kitchens, bathrooms, shower rooms, etc.); may cause fire or electric shock.

Care & Maintenance

- Proper care of Card Slot Cap gasket is crucial for continued handset water and dust resistance.
Observe the following:
 - Do not remove or damage gasket. Keep it clean.
 - If Card Slot Cap is damaged or deformed, contact a SoftBank Shop.
- Do not insert a sharp object into Card Slot Cap gap, Earphones-Microphone Jack or External Connection Jack.

- To maintain water and dust resistance, it is recommended to replace Card Slot Cap every 2 years regardless of its condition. Customer-requested Card Slot Cap replacement incurs fees and requires handset submission. For details, contact a SoftBank Shop or SoftBank Customer Support, [General Information](#).

Washing Handset

Wipe off dirt, sand, beverage, etc., gently with a cloth. Then hold handset approximately 10 cm below faucet or shower head and wash with low-pressure tap water (6 liters/min. or lower) at room temperature (5°C - 35°C). Wash with your hands, taking care not to open Card Slot Cap; do not use a brush or sponge. Dry handset before use; after drying it well, power on.

- Before washing handset, make sure that Card Slot Cap is closed firmly.
- Do not use a washing machine or ultrasonic cleaner.
- Earphones-Microphone Jack and External Connection Jack tend to accumulate dust, sand, etc.; rinse and dry them completely before use. Any residue may cause malfunction, burns or fire.
- Do not put a cotton swab, cloth, etc. into Earphones-Microphone Jack or External Connection Jack; may affect water resistance, causing malfunction.

Drying Handset

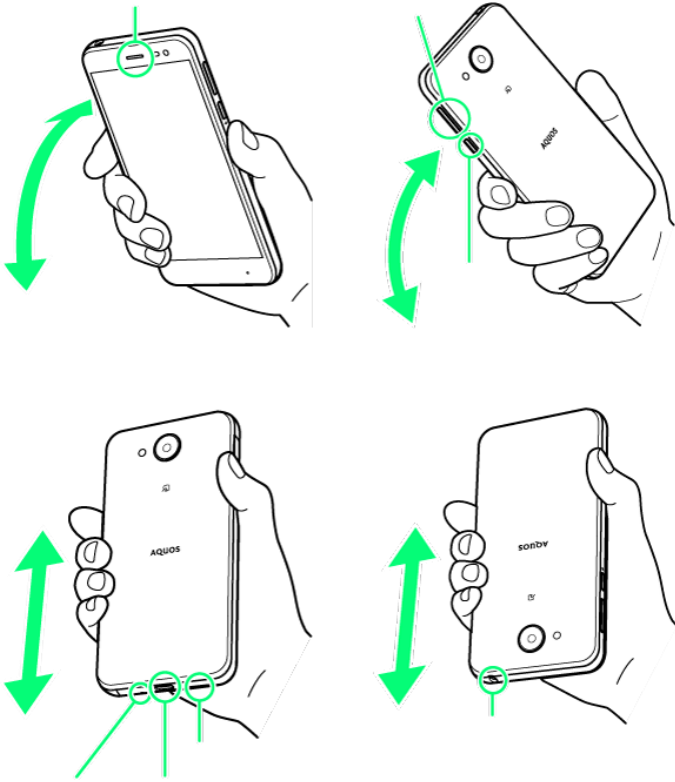
After exposing handset to water, be sure to dry Earpiece, Volume Up/Down Key, Power Key, Shutter Key, Mic, Recorder Mic, External Connection Jack, Speaker, and Earphones-Microphone Jack.

1

Wipe handset surface with dry cloth

2

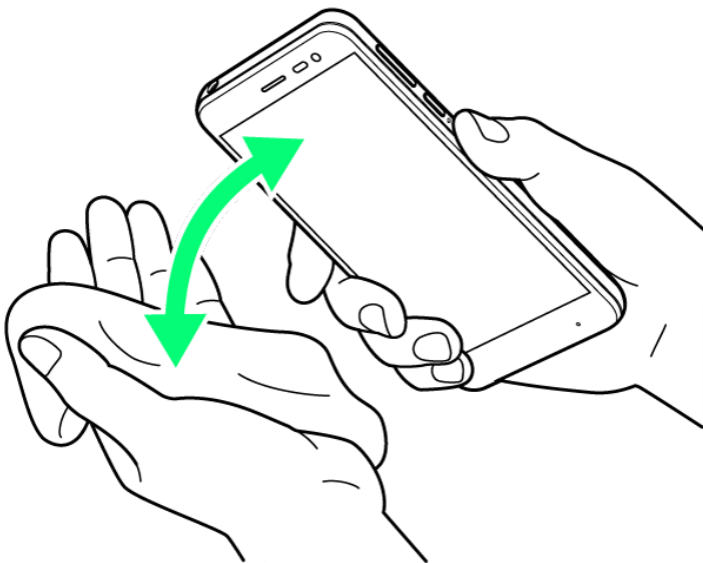
Holding handset firmly by its sides, shake it about 20 times



- When shaking handset, hold it firmly so as not to drop it.

3

Pat against dry cloth to remove moisture from openings and grooves



- Water may be trapped in openings; pat against a dry cloth to remove it.

Leave handset on dry cloth for approximately 2 - 3 hours at room temperature

 **Cautions**

When Removing Moisture

Do not put a cotton swab, cloth, etc. into openings; may affect water and dust resistance.

After Drying Procedure

Do not use handset in wet conditions.

- Calls may fail, or moisture may transfer to clothes, bag, etc.
- Moisture may short-circuit Earphones-Microphone Jack, External Connection Jack or other parts.
- Exposure to cold may freeze moisture and cause malfunction.