

Heritage[™] | Deluxe

Natural Spectrum[®] Floor Lamp

Model: VF03

Job#: 0.0	Title: VF03 Heritage Floor Manual Update
Date: 10/09/13	Version: VF03-MAN-Rev11



Dear Customer,

Thank you for purchasing the Verilux Heritage™ Deluxe Natural Spectrum® Floor Lamp. You now own an innovative product, manufactured to the highest standards and backed by a one-year limited warranty.

As a Verilux customer, your satisfaction means everything to us. We look forward to serving you now and in the future.

Many other healthy lighting products are available through our catalog and online. Visit us on the web at www.verilux.com to request a free catalog and learn more about all our quality Verilux products, or call our toll-free number 1-800-454-4408.

Have a bright day!

A handwritten signature in black ink that reads "Nicholas Harmon". The signature is written in a cursive, flowing style.

Nicholas Harmon
President, Verilux, Inc.

READ ALL INSTRUCTIONS BEFORE USING

Important Safeguards

▲ DANGER:

- To avoid electrocution, do not operate this lamp near water.

▲ WARNING:

- Do not use with power supply voltage other than 120 VAC.
- Do not defeat the the safety purpose of the polarized plug. A polarized plug has two blades with one wider than the other. The wider blade is provided for your safety. If the provided plug does not fit into your outlet, consult an electrician for replacement of the obsolete outlet.
- To prevent risk of shock or personal injury when cleaning these lamps, make sure you have turned off and unplugged them, and allow sufficient time for the bulbs to cool.
- Do not operate lamp in close proximity to flammable or combustible vapors, such as aerosol spray products, or where oxygen is being administered.
- Do not cut or shorten the power cord.
- Choking Hazard: This lamp contains small parts. Close supervision is recommended when this lamp is used by or near children.
- This bulb contains a trace amount of mercury. For more information on clean-up and disposal see www.epa.gov/cfl.
- This product contains a chemical known to the State of California to cause birth defects and other reproductive harm.
- Some people may experience light sensitivity to fluorescent lighting. Discontinue use if you experience any discomfort.
- Certain medications may induce light sensitivity (e.g., anti-depressants) which may result in discomfort or a level of hyperactivity. Consult with your health care provider before using this product.
- If you have a pre-existing eye condition, consult with your health care provider before using this product.
- Never cover the lamp or place anything on top of it when it is in operation.
- Do not block vents on ballast. Vents are necessary for proper function of the ballast. Blocking them may cause overheating of the ballast and increase risk of fire.

▲ CAUTION:

- For indoor use only.
- Always unplug the lamp and allow sufficient time for the bulb to cool before performing bulb replacement or installation.
- This lamp is not for use with light dimmers, timers, motion detectors, voltage transformers or extension cords.
- This product may cause interference with radios, cordless telephones or devices that use a wireless remote control, such as televisions. If interference occurs, move the product away from the device, plug the product or device into a different outlet or move the lamp out of the line of sight of the remote control receiver.
- If this lamp has been damaged in any way, for example, the power supply cord or plug has been damaged, liquid has been spilled or objects have fallen onto the lamp, the lamp has been exposed to rain or moisture, the lamp does not operate normally or has been dropped, it should not be operated.
- Do not dismantle. There are no user serviceable parts in this lamp.
- Unplug lamp during lightning storms or when unused for extended periods of time.

Job#: 0.0	Title: VF03 Heritage Floor Manual Update
Date: 10/09/13	Version: VF03-MAN-Rev11

▲ CAUTION: — continued

- Use only the type of bulb and maximum wattage indicated by Verilux.
- Protect the power cord from being walked on or pinched, particularly at the plugs, convenience receptacles and the point where the power cord exits the lamp.
- Avoid placing the lamp in areas that are dusty, humid/moist, lack ventilation, or are subject to constant vibration.
- Avoid placing this lamp in areas that are exposed to direct sunlight or close to heat radiating products such as heaters.
- After cleaning the lamp, all moisture should be properly wiped away and dried before restoring power.
- Do NOT use lubricating agent in assembly; please see page four of this manual if you are having difficulty assembling your lamp.

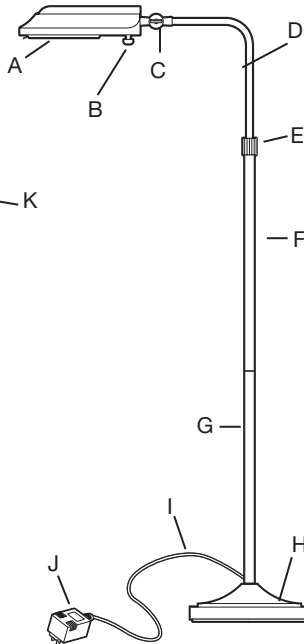
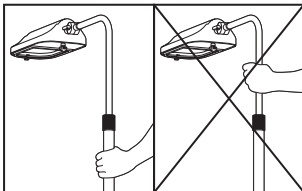
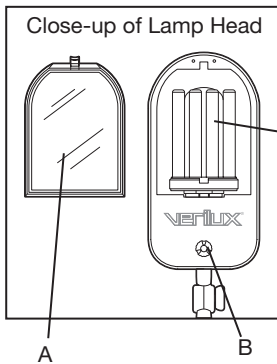
SAVE THESE INSTRUCTIONS

Getting Started

Main Parts & Controls

- A.** Optix® Glare Control Filter
- B.** Switch
- C.** Lamp Head Swivel Knob
- D.** Lamp Arm
- E.** Height-Adjusting Collar
- F.** Upper Shaft

- G.** Lower Shaft
- H.** Lamp Base
- I.** Power Cord
- J.** Power Supply (Ballast)
- K.** Bulb

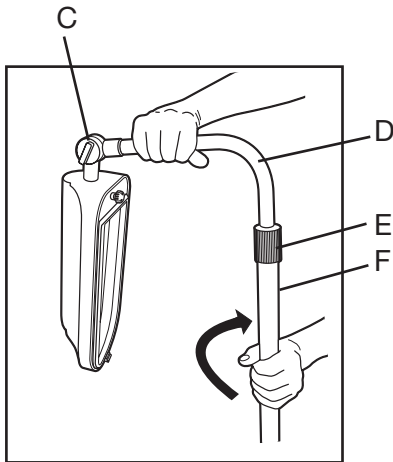


▲ CAUTION: Use the vertical shaft (G) to lift the lamp. Do not use the lamp arm (D).

Assembly Instructions

Please Read Operating Instructions Carefully Before Using the Heritage™ Deluxe Natural Spectrum® Floor Lamp:

1. Set lamp base on the floor and insert the lower lamp shaft (G) onto the base and screw clockwise to tighten (Fig.1).
2. Pull the slack of the electrical cord through the lamp base (I).
3. Loosen the height adjusting collar (E) to free lamp arm (D).
4. With one hand holding the lamp arm (D), screw the upper shaft (F) onto the lower shaft (G). (See assembly detail below.)
5. Tighten height-adjusting collar to secure lamp arm.
6. To lift lamp head, loosen swivel knob (C), adjust head to desired angle. Tighten swivel knob.



Assembly Detail

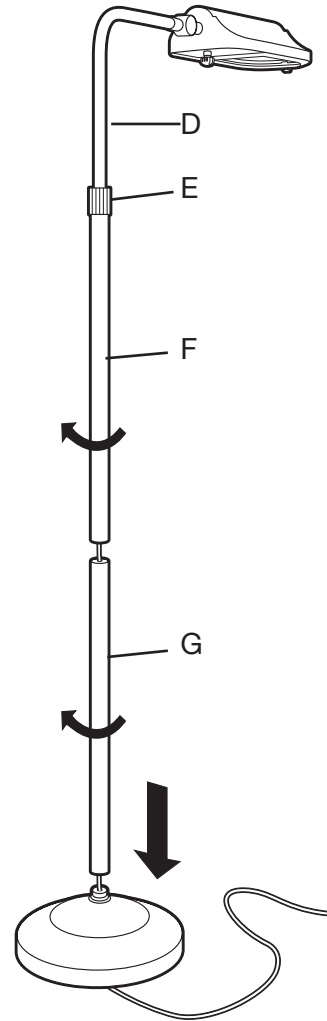


Fig. 1

Assembly Instructions — continued

7. Attaching the Optix® glare control filter:

- Remove glare control filter from protective plastic bag. Take care to hold filter by the edges only.
- Insert tabs on bottom of filter into opening (Fig. 2).
- Press into place using thumb tab.
Do not touch or press on the filter material itself.

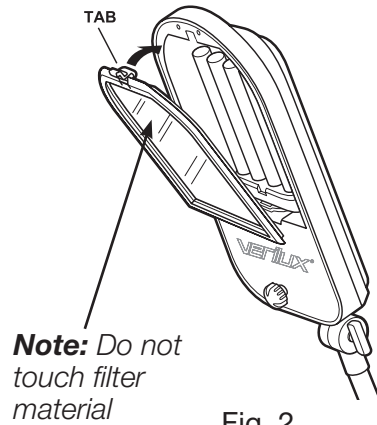


Fig. 2

8. Attach the ballast to the power cord. Use care to align the 4-pin plug properly. DO NOT FORCE. The 4-pin plug was designed to fit in only one orientation (Fig. 3).

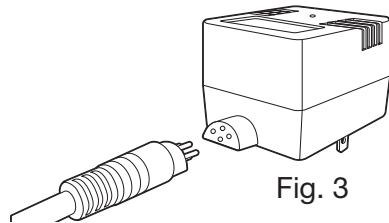


Fig. 3

9. Plug ballast into a standard 120V 50/60Hz outlet. Turn lamp on. The green LED indicator on center of the ballast should be illuminated (Fig. 4). If the LED indicator does not illuminate, please refer to the troubleshooting section of this manual manual. (See page 9.)

10. If bulb does not illuminate instantly, please refer to the troubleshooting section of this manual.

11. Adjust lamp brightness to the desired level.

⚠ WARNING: Do not block vents on ballast. Vents are necessary for proper function of the ballast. Blocking them may cause overheating of the ballast and increase risk of fire.

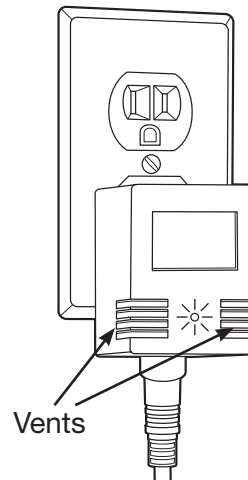


Fig. 4

Adjusting the Heritage™ Floor Lamp

The Heritage Floor Lamp adjusts several ways:

1. To adjust lamp height – hold upper shaft (F) with one hand, loosen height adjusting collar. Raise or lower lamp arm (D) to desired height. Tighten collar (Fig. 5).

Note: Do not stand on cord or otherwise restrict its movement while raising or lowering the height of the lamp.

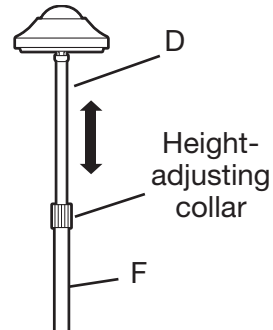


Fig. 5

2. To rotate the lamp head right or left, loosen height adjusting collar, swing lamp arm to desired position. Tighten collar. Lamp arm rotates a full 360° (Fig. 6).

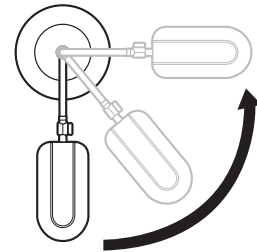


Fig. 6

3. To adjust lamp head angle up or down – loosen swivel knob counterclockwise, place head at desired angle, tighten swivel knob to secure (Fig. 7).

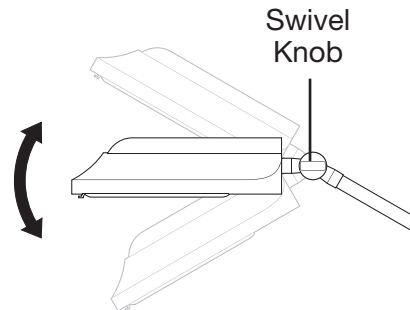


Fig. 7

4. To tilt lamp head toward you or away from you – simply move head to desired position (Fig. 8).

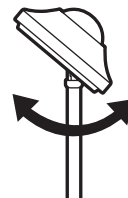


Fig. 8

Bulb Replacement Instructions

Removal

1. Unplug lamp from power source.
2. To access the bulb, remove Optix® glare control filter by depressing the thumb tab and lifting it out.
3. Firmly hold bulb base (B) and pull bulb (C) from the socket (A) in an outward motion (Fig. 9).

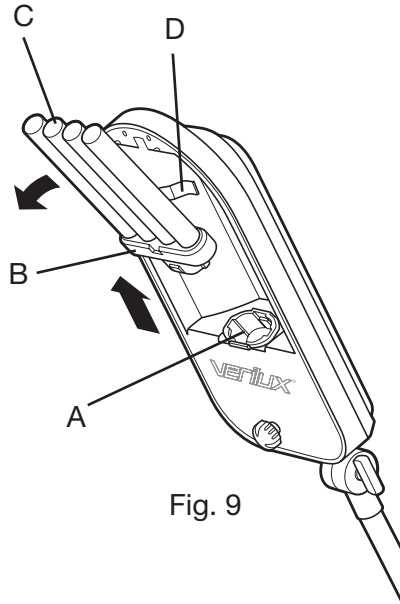
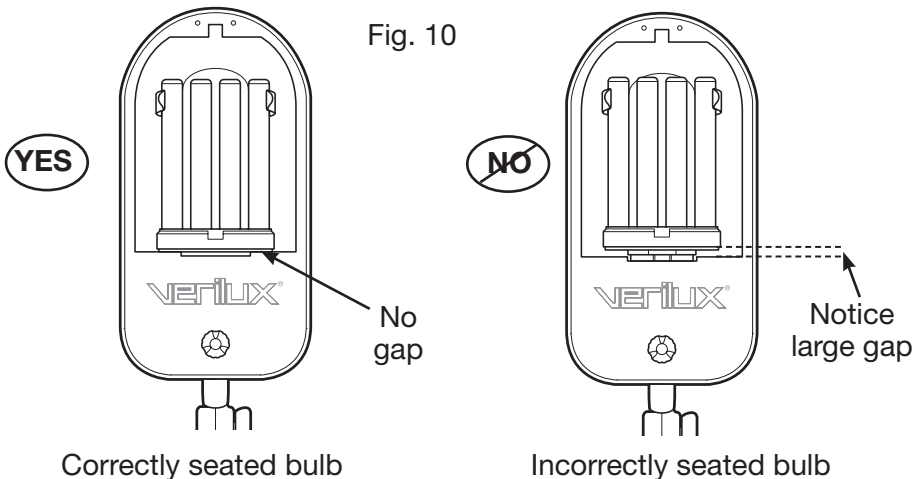


Fig. 9

Installation

1. Unplug lamp from power source.
2. Firmly hold base (B) and push bulb (C) into the socket (A).
3. Be sure bulb is firmly seated in the socket (see below) and snapped into the metal bulb clip (D) (Fig. 10).
4. Replace Optix glare control filter.



⚠ CAUTION: Always unplug lamp before performing bulb replacement or installation.

Natural Spectrum and Productivity

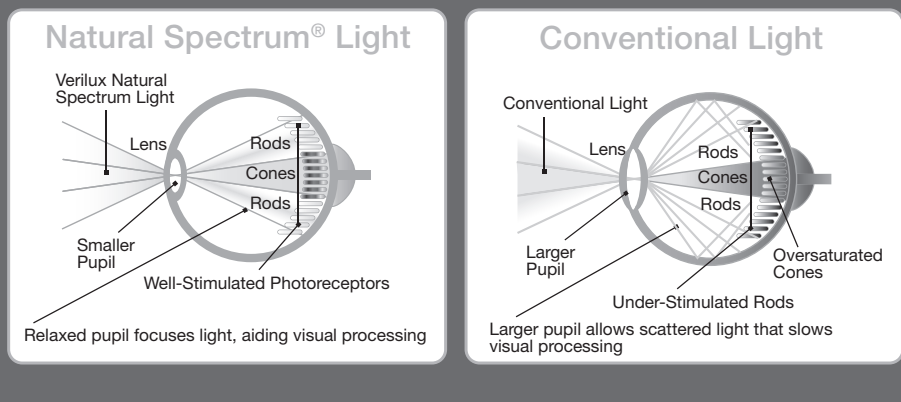
When it comes to maximizing work, study or task time, a Verilux lamp is the perfect partner. It uses Natural Spectrum Light that replicates key beneficial wavelengths of natural daylight to help you read faster with greater comprehension, work longer without eyestrain and improve productivity and focus.

Research using Verilux Natural Spectrum Light and comparable lighting in school and work settings resulted in significantly greater visual acuity, enhancing student performance and worker productivity when compared to other light sources.

Natural Spectrum Light is the result of more than 50 years of research to build lighting that meets the needs of the human eye. At home, college or office, your Verilux lamp is the perfect productivity partner.

Shedding Light on Natural Spectrum®

Verilux Natural Spectrum light illuminates in the broader scotopic range to better stimulate the cones and rods (photoreceptors) of the eye. This enhanced stimulation improves visual performance by reducing the size of the pupil to better focus light, relaxing the eye while increasing visual acuity and processing.



Job#: 0.0	Title: VF03 Heritage Floor Manual Update
Date: 10/09/13	Version: VF03-MAN-Rev11

Troubleshooting

Before requesting service on your Verilux® lamp, please:

- Make sure all power connectors, cords and plugs are inserted fully and securely.
- Be sure the bulb is securely seated into the socket. (See page 8.)
- Make sure there is power to the wall outlet or try another outlet.

PROBLEM	CHECK	SOLUTION
Light Won't Come On	Has the plug come loose?	Insert plug securely into wall outlet.
	Is the bulb old?	Check bulb for blackening/darkening at bottom of spiral where it joins the base (an indicator of bulb life) and replace bulb.
	Is the bulb connected securely into socket?	Be sure the bulb is securely seated in the socket. Repeat the bulb installation process. ⚠ CAUTION: Always unplug lamp before performing bulb replacement or installation.
Blackening/Darkening at Ends of Bulb	Is the bulb new?	Sometimes when a new bulb is turned on for the first time the tubing will darken, but this will fade after a few minutes.
	Is the bulb old?	With older bulbs, darkening of the tubing indicates end of bulb life. (This doesn't affect operation except to reduce the amount of light available, since the phosphor in that area has become inactive.) Bulb replacement is recommended.
Light Flickers	Has the plug come loose?	Insert plug securely into wall outlet.
	Is the bulb connected securely to the socket?	Be sure the bulb is securely seated into the socket. Repeat the bulb installation process. ⚠ CAUTION: Always unplug lamp before performing bulb replacement or installation.
	Is the lamp connected to a dimmer switch?	Connect lamp plug only to wall outlet without dimmer switch.

⚠ WARNING: Do not block vents on ballast. Vents are necessary for proper function of the ballast. Blocking them may cause overheating of the ballast and increase risk of fire.

Care and Cleaning

Your lamp is made from high-quality materials that will last for many years with minimum care. You may want to periodically clean the lamp using a mild non-abrasive cleaner and soft cloth. When cleaning, make sure you have turned off and unplugged the unit and allowed sufficient time for the unit to cool.

⚠ CAUTION: Do not use solvents or cleaners containing abrasives, or ammonia-based cleaners.

⚠ CAUTION: Do not use any cleaning agents, including window cleaner, on the Optix® glare control filter. If needed, dust with a clean, dry cloth.

⚠ CAUTION: After cleaning the lamp, all moisture should be properly wiped away and dried before storing power.

One-Year Limited Warranty

ATTENTION! ONCE OPENED, PLEASE **DO NOT** RETURN THIS PRODUCT TO THE STORE WHERE IT WAS PURCHASED FOR REPAIR OR REPLACEMENT!

Many questions may be answered by visiting www.verilux.com, or you may call our Customer Service Department at 1-800-786-6850 during normal business hours.

This limited warranty is provided by: Verilux, Inc., 340 Mad River Park, Waitsfield, VT 05673

Verilux warrants this product to be free from defects in material and workmanship for a period of one year from the date of the original retail purchase from Verilux or an authorized Verilux distributor. **Proof of purchase is required for all warranty claims.** During the limited warranty period, Verilux, Inc. will, at its option, repair or replace defective parts of this product, at no charge to the customer, subject to these limitations: This limited warranty does not include any postage, freight, handling, insurance or delivery fees. This warranty does not cover damage, defect or failure caused by or resulting from accident, external destruction, alteration, modification, abuse, misuse or misapplication of this product.

This warranty does not cover damage to the product resulting from return shipping or handling. Shipping insurance is recommended to help protect your product.

Return Authorization is required for all returns. To obtain a Return Authorization, please contact the Verilux Customer Service Department at 1-800-786-6850.

If, during the first year of ownership, this product fails to operate properly, it should be returned as specified at www.verilux.com/warrantyreplacement or as instructed by a Verilux customer service representative at 1-800-786-6850.

Note: *Verilux recommends using a quality surge suppressor on all electronics equipment. Voltage variations and spikes can damage electronic components in any system. A quality suppressor can eliminate the vast majority of failures attributed to surges and may be purchased at electronics stores.*

Due to ongoing improvements, actual product may have slight variations from the product described in this manual.

Please visit our website at www.verilux.com or call our Customer Service Department at

1-800-786-6850

Representatives are available Monday — Friday, 9am — 5pm EST

verilux[®]

340 Mad River Park, Waitsfield, VT 05673

Job#: 0.0	Title: VF03 Heritage Floor Manual Update
Date: 10/09/13	Version: VF03-MAN-Rev11

