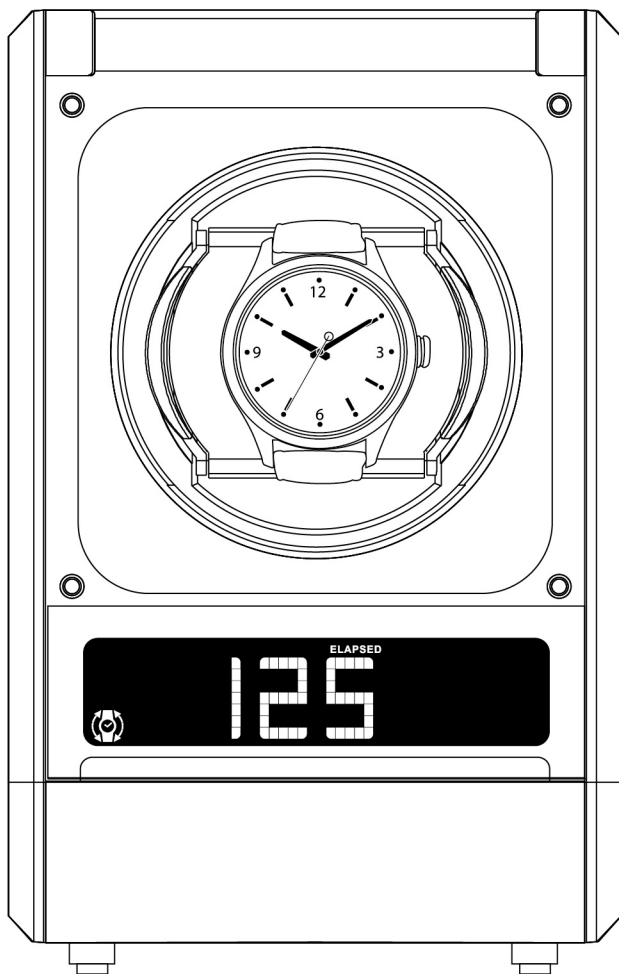


# SHARPER IMAGE®

Watch Winder with Digital Clock and  
Temperature / Humidity Display



**INSTRUCTION MANUAL**

## **Thank You.**

*Congratulations on the purchase of your watch winder. Designed exclusively for automatic watches, this all new product has been carefully crafted to meet the exceptional requirements inherent in automatic watch-making. Thank you for purchasing this product, we hope it will bring you complete satisfaction.*

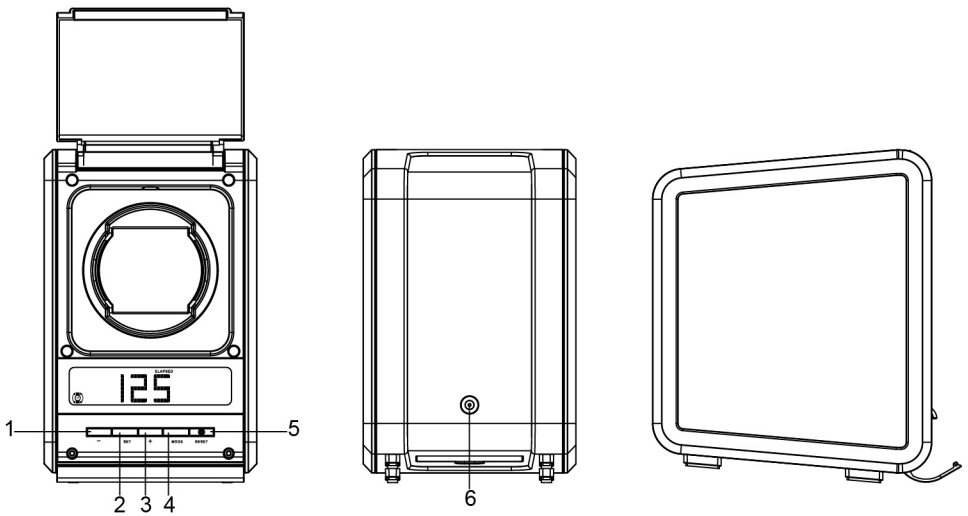
## **Use and technical characteristics**

*Your watch winder has been specially designed for storing and rewinding all automatic watches. It guarantees a set number of rotations per day as opposed to a daily operating duration.*

*Your watch winder is made from the finest materials. Its direct mechanical drive together with an electronic board configured for a set number of rotations per day have been manufactured and tested using state-of-the-art technology to obtain high reliability and long service life.*

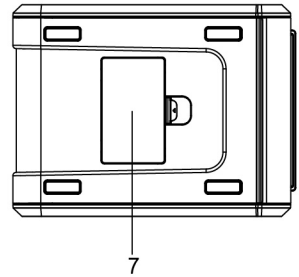
*By default, your watch winder is programmed for a cycle of 400 rotations per day in each direction this corresponds to virtually all automatic watches currently available on the market.*

*For older watches, collector's watches or watches with special characteristics imposed by their brand names, you must follow the indications specified, and program the number of rotations/day and the direction(s) of the rotation cycles on your case according to the corresponding requirements.*



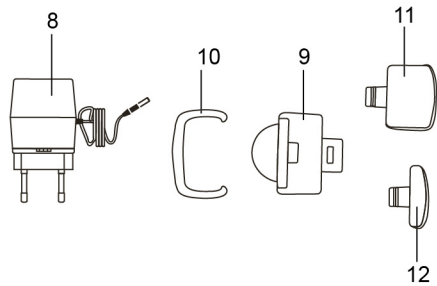
### Location of Control

1. - button
2. SET button
3. + button
4. MODE button
5. RESET button
6. DC socket
7. Battery Compartment



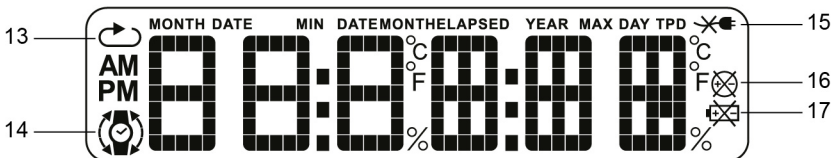
### Watch Winder Accessories

8. AC/DC adaptor
9. Watch holder
10. Top Fitting (Large Size)
11. End Fitting (Large Size)
12. End Fitting (Small Size)



### Icons

13. Scrolling display icon
14. Winding direction icon
15. AC adaptor warning icon
16. Backup battery (CR2032) warning icon
17. DC battery (AA) warning icon



## Quick Start Guide

- 1 Installing Batteries and Backup Battery
  - 1.1 Open the Battery Door (**Figure 1**).
  - 1.2 Install the CR2032 backup battery into the battery holder.
  - 1.3 Install 2 pcs AA Alkaline batteries into the battery compartment.
  - 1.4 Close the Battery Door.

### 2 Connecting the AC-DC adaptor

- 2.1 Plug the provided AC-DC adaptor to a AC socket.
- 2.2 Connect the DC plug of the adaptor to the socket on the watch winder.

### 3 Set the Calendar Clock on the watch winder

- 3.1 Open the door covering the control panel.
- 3.2 Keep pressing the [Mode] button until the display shows the Time.
- 3.3 Press and hold the [Set] button until the time blinks.
- 3.4 Press [+] or [-] button to set the time
- 3.5 Press the [Set] button to review time format setting. Press [+] or [-] button to adjust the settings.
- 3.6 Press [Set] button again to confirm the settings.
- 3.7 Press the [Mode] button until the display shows the Date.
- 3.8 Repeat 3.3 ~ 3.6 above to review and adjust Calendar Year, Month/Date and Calendar format settings.
- 3.9 Close the door covering the control panel.

### 4 Loading the watch on to the watch winder (**Figure 2**)

- 4.1 Open the compartment door. Squeeze on the sides of the watch holder and take it out from the watch cavity.
- 4.2 Fasten the strap of the watch.
- 4.3 Squeeze the watch holder and align it with your watch.
- 4.4 Release the watch holder and make sure it holds your watch tightly. If the pre-installed watch holder cannot hold your watch tightly, change the optional fitting size. (**Figure 3 & 4**)

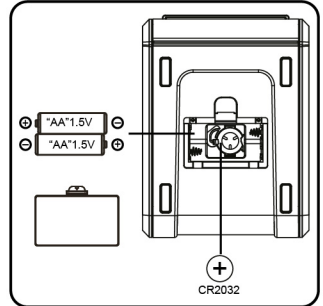
**Note:** make sure the watch is resting on the soft cushion of the watch holder with the dial facing outward.

- 4.5 Insert the watch holder and your watch into the cavity of the watch winder.

**Note:** make sure the 12-Hour position of the watch dial is facing upward for best positioning.

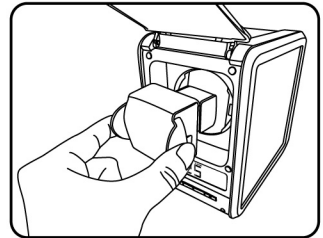
- 4.6 Close the compartment door. The watch winder will wind up the watch gradually.

Figure 1



**Notice:** Install CR2032 battery before install 2pcs AA batteries.

Figure 2



**Notice:** Squeeze on the sides of the watch holder and take it out.

Figure 3

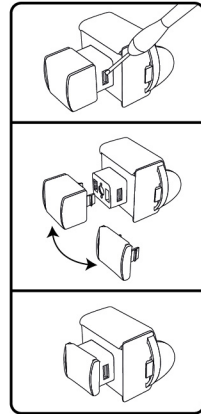
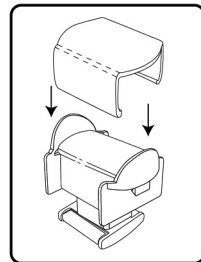


Figure 4



## Operating the watch winder

- 1 Switching display mode
  - 1.1 Press the [Mode] button to scroll through the following displays:
    - Elapsed Turns display – shows the elapsed turns from the beginning of the day 0:00
    - TPD display – shows the selected turns per day (TPD).
    - Cavity Environment display – shows the temperature and humidity of the watch surrounding inside cavity.
    - Clock display – shows the current time.
    - Calendar display – shows the current date.
- 2 Setting General settings
  - 2.1 Press and hold the [Mode] button to set General characteristics.
  - 2.2 Scrolling display – press [+] or [-] button to change between the followings: **SCR** – the display will automatically scroll through Watch Winder, Cavity Environment & Calendar Clock displays automatically. – – – the display will not automatically scroll between display modes.

**Note:** A short press of the [Mode] button can pause the scrolling display momentarily and resumes scrolling.
  - 2.3 Press the [Set] button to set cavity spotlight & display backlight, press [+] or [-] button to change between the followings:
    - SL BL** – Both cavity spotlight & display backlight are on .
    - SL – –** – The cavity spotlight is on and the display backlight is off .
    - – BL** – The cavity spotlight is off and the display backlight is on .
    - – – –** – Both cavity spotlight & display backlight are off .
  - 2.4 Press the [Set] button to confirm the settings.
- 3 Adjusting Watch Winder settings
  - 3.1 Press the [Mode] button until the Elapsed or TPD is displayed.
  - 3.2 Press and hold the [Set] button until the TPD blinks.
  - 3.3 Press [+] or [-] button to adjust the TPD, or press [+] and [-] buttons together to turn off the winder.
  - 3.4 Press the [Set] button to confirm the **TPD**, and press [+] or [-] button to select the turning direction:
    - 2-DIR** – The winder turns in both Clockwise & Counter Clockwise directions.
    - CW** – The winder turns in Clockwise direction.
    - CCW** – The winder turns in Counter Clockwise direction.
  - 3.5 Press the [Set] button to confirm the settings.
- 4 Reading the Cavity Environment readings
  - 4.1 Keep pressing the [Mode] button until the current temperature of the watch cavity is displayed.
  - 4.2 Press the [Set] button to review the minimum and maximum recorded temperature.  
Press the [Set] button to review the minimum and maximum recorded humidity.
  - 4.3 While reviewing the recorded temperature or humidity, pressing and holding the [+] and [-] buttons together can clear the recorded temperature.
  - 4.4 Press and hold the [Set] button to select between Celsius (°C) or Fahrenheit (°F) temperature unit display.
- 5 The winding function will be paused when the compartment door is opened. Please keep the door closed after watch placement.

## Winding Sequence

TPD setting is 800 by default. It can be changed by pressing the [Set] key into the setting mode. By changing the display with [+] and [-] key to your desired setting. For example, Default setting of 800 TPD means 800 turns / 24 Hours meaning 33 turns per Hour. Each turn is around 10 seconds thus 33 turns will end in approximately 5.5 minutes. Each turn cycle starts from XX:00:00 hour, therefore approximately 54 mins 30 seconds will be stopped.

Upon the completion of the TPD setting, the winder will wind for 20 times and stop. It will start again in the next XX:00 hour.

## Elapsed Counter

Elapsed Counter accumulates the number of winds within 24 hours, therefore, it is very important that you set the clock upon start up. The Elapsed Counter accumulates up to 23:59:59 and resets at 0:00:00 every time

## Fast Winding Feature

At anytime by pressing and holding the [-] key for counter clockwise, [+] key for clockwise and both [+] and [-] key for bi-directional fast winding. Fast winding will carry out a ONE hour amount of turns according to your TPD setting. Display shows the number of turns to be carried out and counts down until cycle is completed. During fast turn in operation, opening the door will temporarily stop the cycle and by closing will continue until it is completed.

## Reset the Unit

If the unit is not working properly, press the RESET button with a pointed object.

## Caution

- TO REDUCE THE RISK OF ELECTRIC SHOCK, DO NOT REMOVE COVER . THERE ARE NO SERVICEABLE PARTS INSIDE .
- TO REDUCE THE RISK OF FIRE OR ELECTRIC SHOCK, DO NOT EXPOSE THIS UNIT TO RAIN OR MOISTURE .



The lightning flash with arrow-head symbol within an equilateral triangle is intended to alert the user to the presence of uninsulated.

“dangerous voltage” within the unit’s enclosure that may be of sufficient magnitude to constitute a risk of electric shock .



The exclamation point within an equilateral triangle is intended to alert the user to the presence of important operating and maintenance (servicing) instructions in the literature accompanying the unit .

Important Safety Instructions

All the safety and operating instructions should be read, adhered to and followed before the unit is operated.

## Danger

To reduce the risk of electric shock, burns, fire or injury:

- Always unplug the unit from the electrical outlet immediately after using .
- Do not use while bathing or in a shower .
- Do not place or store unit where it can fall or be pulled into a tub or sink .
- Do not place in or drop into water or other liquid .
- Do not reach for unit that has fallen into water . Unplug it immediately .
- Care should be taken so that objects do not fall and liquids are not spilled onto the unit .

## Warning

- Close supervision is necessary when this unit is used by or near children.
- Use this unit only for its intended use as described in this manual.
- Unplug this unit during lightning storms or when unused for long periods of time.
- Never drop or insert an object into any opening.
- Protect the power cord from being walked on or pinched, particularly at plug outlets, convenience receptacles and the point where it exits the unit.
- Do not allow cord to touch hot surfaces. Wrap cord loosely around the unit when storing.
- The unit should be situated away from direct sunlight or heat sources such as radiators, electric heaters, heat registers, stoves, or other units (including amplifiers) that produce heat. Avoid placing on top of stereo equipment that radiates heat.
- Never block the air openings of the unit with materials such as clothing, plastic bags or papers, or place it on a soft surface such as a bed or couch, where the air openings may be blocked.
- Do not overload electrical outlet. Use only the power source as indicated.
- Do not carry this unit by cord or use cord as handle.
- Never operate this unit if it has a damaged cord or plug, if it is not working properly, or if it has been dropped or damaged, or dropped into water. If the unit's power supply cord or plug is damaged, do not attempt to fix it yourself.
- To avoid the risk of electric shock, do not disassemble or attempt to repair the unit. Incorrect repair can cause risk of electric shock or injury to persons when unit is used.
- Do not operate in the presence of explosive and/or flammable fumes.

## Maintenance and cleaning

- Your watch winder does not require any special maintenance. We recommend cleaning it regularly with a soft, damp cloth, then wiping it dry. You are advised to only use soft, microfibre cloths, in particular for cleaning the transparent door.

## Terminology

TPD	Turns Per Day
SL	Spot Light (For the Watch)
BL	Back Light (For the LCD)
CW	Clockwise
CCW	Counter Clockwise
2 DIR	Bi-Directional
FST	Fast Turn Mode
SCR	Display Auto Scroll Mode

## Disposal of Your Old Product

Your product is designed and manufactured with high quality materials and components, which can be recycled and reused.

When this crossed-out wheeled bin symbol is attached to a product it means the product is covered by the European Directive 2002/96/EC.



Please inform yourself about the local separate collection system for electrical and electronic products.

Please act according to your local rules and do not dispose of your old products with your normal household waste.

The correct disposal of your old product will help prevent potential negative consequences for the environment and human health.

## Disposal of Flat Batteries / Accumulators

You, as the end user, are legally obliged (**Battery Ordinance**) to return all flat batteries and rechargeable batteries. **Disposal in the household waste is prohibited.**

“European Directive 2006/66/EC” Batteries, including rechargeable batteries, which contain hazardous substances are marked by symbols which indicate the prohibition of disposal in the household waste.

The designations for the heavy metals concerned are as follows:

**Cd** = cadmium, **Hg** = mercury, **Pb** = lead. You can return flat batteries/rechargeable batteries free of charge to the collection points in your community or anywhere else where batteries / rechargeable batteries are sold.

**You thus fulfil your statutory obligations and help protect the environment.**

