

# SHARPER IMAGE®

## Sharper Image Sound Soother White Noise Machine Item No. 204050



### INSTRUCTION MANUAL

**Note:** Please read and follow these instructions before using your unit.

**Customer Service:** 1 (877) 210-3449

### **SAFETY INSTRUCTION**

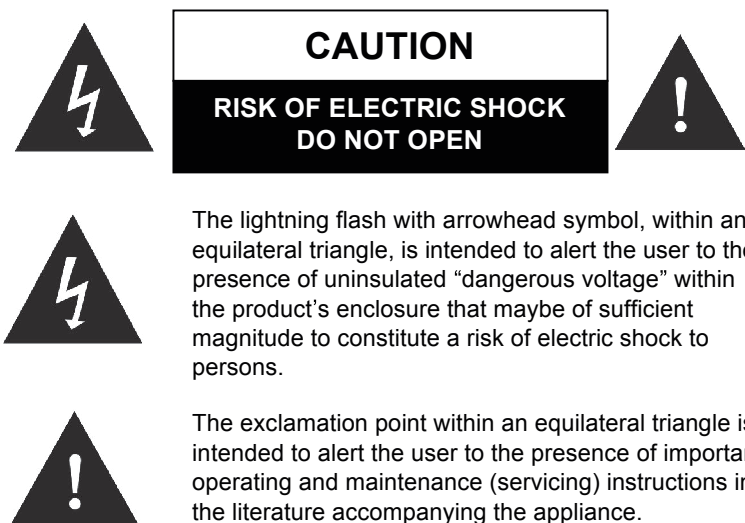
#### **WARNING:**

TO REDUCE THE RISK OF FIRE OR ELECTRIC SHOCK, DO NOT EXPOSE THIS APPARATUS TO RAIN OR MOISTURE.

#### **CAUTION:**

USE OF CONTROLS OR ADJUSTMENTS OR PERFORMANCE OF PROCEDURES OTHER THAN THOSE SPECIFIED MAY RESULT IN HAZARDOUS RADIATION EXPOSURE.

\* Caution Marking and rating plate was located at bottom enclosure of the apparatus  
Les marquages sont inscrits en bas de l'appareil.  
Les precautions d'emploi sont inscrites en bas de l'appareil.



The lightning flash with arrowhead symbol, within an equilateral triangle, is intended to alert the user to the presence of uninsulated "dangerous voltage" within the product's enclosure that maybe of sufficient magnitude to constitute a risk of electric shock to persons.

The exclamation point within an equilateral triangle is intended to alert the user to the presence of important operating and maintenance (servicing) instructions in the literature accompanying the appliance.

- The apparatus shall not be exposed to dripping or splashing and that no objects filled with liquids, such as vases, shall be placed on apparatus.  
L'appareil ne doit pas être exposé aux écoulements ou aux éclaboussures et aucun objet ne contenant de liquid, tel qu'un vase, ne doit être placé sur l'objet.
- Mains plug is used as disconnect device and it should remain readily operable during intended use. In order to disconnect the apparatus from the mains completely. The mains plug should be disconnected from the mains socket outlet completely.  
La prise du secteur ne doit pas être obstruée ou doit être facilement accessible pendant son utilisation. Pour être complètement déconnecté de l'alimentation d'entrée, la prise doit être débranchée du secteur.
- Battery shall not be exposed to excessive heat such as sunshine, fire or the like.  
Les piles ne doivent pas être exposées à de forte chaleur, tel qu'à la lumière du soleil, au feu ou autres choses de semblable.
- Location of label on the apparatus if that label was affixed under a lid or on the bottom of the apparatus with a mass not exceeding 7 kg.

## **IMPORTANT SAFETY INSTRUCTIONS**

1. Read these instructions.
2. Keep these instructions.
3. Heed all warnings.
4. Follow all instructions.
5. Do not use this apparatus near water.
6. Clean only with dry cloth.
7. Do not block any ventilation openings. Install in accordance with the manufacturer's instructions.
8. Do not install near any heat sources such as radiators, heat registers, stoves, or other apparatus (including amplifiers) that produce heat.
9. Do not defeat the safety purpose of the polarized or grounding-type plug. A polarized plug has two blades with one wider than the other. A grounding type plug has two blades and a third grounding prong. The wide blade or the third prong are provided for your safety. If the provided plug does not fit into your outlet, consult an electrician for replacement of the obsolete outlet.
10. Protect the power cord from being walked on or pinched particularly at plugs, convenience receptacles, and the point where they exit from the apparatus.
11. Only use attachments/accessories specified by the manufacturer.
12. Use only with the cart, stand, tripod, bracket, or table specified by the manufacturer, or sold with the apparatus. When a cart is used, use caution when moving the cart/apparatus combination to avoid injury from tip-over.



13. Unplug this apparatus during lightning storms or when unused for long periods of time.
14. Refer all servicing to qualified service personnel. Servicing is required when the apparatus has been damaged in any way, such as power-supply cord or plug is damaged, liquid has been spilled or objects have fallen into the apparatus, the apparatus has been exposed to rain or moisture, does not operate normally, or has been dropped.

### **FCC NOTICE**

This equipment has been tested and found to comply with the limits for a Class B digital device, pursuant to Part 15 of the FCC Rules. These limits are designed to provide reasonable protection against harmful interference in a residential installation. This equipment generates, uses and can radiate radio frequency energy and, if not installed and used in accordance with the instructions, may cause harmful interference to radio communications.

However, there is no guarantee that interference will not occur in a particular installation. If this equipment does cause harmful interference to radio or television reception, which can be determined by turning the equipment off and on, the user is encouraged to try to correct the interference by one or more of the following measures:

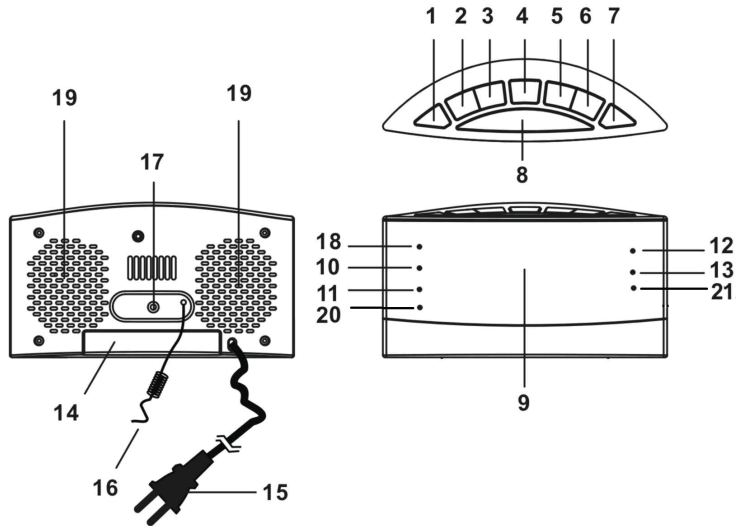
- Reorient or relocate the receiving antenna.
- Increase the separation between the equipment and receiver.
- Connect the equipment into an outlet on a circuit different from that to which the receiver is needed.

Consult the dealer or an experienced radio/TV technician for help.

### **WARNING:**

Changes or modifications to this unit not expressly approved by the party responsible for compliance could void the user's authority to operate the equipment.

## QUICK REFERENCE



### 1 CLK/MEM/ NATURE SOUND SELECT Button

- In CLOCK mode, use this button to set the clock
- In RADIO mode, use this button to store radio stations in the memory.
- Use this button to select different nature sound

### 2 ⏪/HR Button

- In CLOCK mode, use this button to adjust the hour in CLOCK or ALARM time.
- In RADIO mode, use this button to search the radio station in backward direction.

### 3 ⏩/MIN Button

- In CLOCK mode, use this button to adjust the minute in CLOCK or ALARM time.
- In RADIO mode, use this button to search the radio station in forward direction.

### 4 DIMMER Button

- Use this button to change the brightness of the display.

### 5 ALM2/VOL- Button

- In CLOCK mode, use this button to set the alarm time in ALARM2
- In RADIO mode, use this button to decrease the volume

### 6 ALM1/VOL+ Button

- In CLOCK mode, use this button to set the alarm time in ALARM1
- In RADIO mode, use this button to increase the volume

### 7 ALARM OFF/SOURCE “⏻” Button

- Use this button to turn the ALARM off after Alarm activates.
- Use this button to select different mode e.g. AM RADIO or FM RADIO or AUX or NATURE SOUND mode.
- Hold this button until the display shows “OFF” to stop the function mode.

### 8 SNOOZE/SLEEP Button

- Use to button to temporarily suspend the ALARM for a short period
- In RADIO mode, use this set the SLEEP time.

### 9 LED Display

- Display Information, e.g. time, radio frequency, nature sound.

### 10 ALARM1 BUZZER Indicator

- This indicator shows that the unit is set in ALARM 1 buzzer mode.

### 11 ALARM1 RADIO Indicator

- This indicator shows that the unit is set in ALARM1 radio mode.

### 12 ALARM2 BUZZER Indicator

- This indicator shows that the unit is set in ALARM2 buzzer mode.

### 13 ALARM2 RADIO Indicator

- This indicator shows that the unit is set in ALARM2 radio mode.

### 14 BATTERY Compartment

- Compartment for the back-up battery.

### 15 AC Power Cord

- Connect the unit to the wall outlet.

### 16 FM Wire Antenna

- Extend this wire antenna to obtain better FM broadcasting.

### 17 AUX-IN Jack

- Connect the unit to the external audio device.

### 18 PM Indicator

- This indicator shows that the time display is PM

### 19 SPEAKER

- Sound output

### 20 ALARM 1 NATURE SOUND Indicator

- This indicator shows that the unit is set in ALARM1 Nature Sound mode.

### 21 ALARM 2 NATURE SOUND Indicator

- This indicator shows that the unit is set in ALARM2 Nature Sound mode.

## **CONNECTING THE UNIT TO POWER**

Plug AC power cord to the AC wall outlet. Before switching on the unit, make sure that the voltage of your electricity supply is the same as that indicated on the rating plate.

## **BATTERY BACKUP**

Insert two pieces UM-4 batteries into the battery compartment. Be sure to observe the proper polarity (the "+" and "-" signs) as indicated inside the battery compartment.

In case of power failure or interrupted AC power, the current time and alarm time settings, the stored radio stations are preserved in the memory of the unit by means of battery back-up function.

## **SETTING THE CLOCK**

1. With the unit in CLOCK mode, press and hold the CLK/MEM button for about 1 second, the time will begin to flash on the LED display.
2. Press the ►/MIN button to adjust the minute.
3. Press the ◀/HR button to adjust the hour.
4. When the correct time is selected, press the CLK/MEM button again to confirm.

## **SETTING THE ALARMS**

1. With the unit in CLOCK mode, press the ALM1/VOL+ or ALM2/VOL- button. The ALARM time will begin to flash on the LED display.
2. Press the ►/MIN button to adjust the alarm minute.
3. Press the ◀/HR button to adjust the alarm hour.
4. When the correct time is selected, press the ALM1/VOL+ or ALM2/VOL- button to confirm.
5. Press the ALM1/VOL+ or ALM2/VOL- button to select the ALARM sound mode - Buzzer Mode, currently set radio station or Nature Sound Mode. The alarm Buzzer or Radio or Nature Sound indicator will light up accordingly.

**Note: You can select the Nature Sound for the alarm sound. Hold NATURE SOUND SELECT Button until the display shows “05”. Press the button repeatedly to select 20 different Nature Sounds. For example, “01” means the first Nature Sound, “20” means the twentieth Sound and “00” means all the nature sound.**

## **SNOOZE FUNCTION**

1. Whenever the alarm (buzzer or radio or nature sound) activates, it can be temporarily suspended for a short period of 9 minutes by pressing the SNOOZE/SLEEP button once.
2. The buzzer or radio will then automatically activate again after the 9 minutes SNOOZE period has ended.
3. This procedure can be repeated for up to approximately one hour.

## **TURN OFF THE ALARM**

When the Alarm activate, press the ALM OFF/SOURCE button to turn off the Alarm.

## **LISTENING TO THE NATURE SOUND**

1. Press the ALM OFF/SOURCE button to select the Nature Sound mode (“05”).
2. Press NATURE SOUND SELECT Button repeatedly to select 20 different Nature Sounds. For example, “01” means the first Nature Sound, “20” means the twentieth Sound and “00” means all the nature sound.

## **LISTENING TO THE AM/FM RADIO**

1. Press the ALM OFF/SOURCE button to select the FM or AM mode.
2. Press the ►/MIN button or ◀/HR button step by step to tune to the desired radio stations.
3. Press and hold the ►/MIN button or ◀/HR buttons for approx. 1 second, it will start to search the next radio station in the direction of the search. The search operation simply finds stations with strong signals. Stations with weak reception can only be tuned in manually.

## **ANTENNA**

For best reception, fully extend the FM wire antenna to receive FM stations. For AM reception, the unit has a built-in antenna, turn the whole unit for best reception.

## **SAVING A RADIO STATION TO THE MEMORY**

1. Tune the radio to the desired station.
2. Press and hold the CLK/MEM button for approx. 1 second, the LED display will show P01 and flash, the radio station will stored in the memory..
3. Up to 10 AM and 10 FM radio stations can be stored in the memory.

## **TO LISTEN TO A SAVED RADIO STATION**

1. Press the ALM OFF/SOURCE button to select FM or AM model
2. Press the CLK/MEM button to select the stored radio station.

## **SLEEP TO MUSIC FUNCTION**

1. This function allows you to listen to the radio while you fall asleep.
2. Press the SNOOZE/SLEEP button, the display will show the default sleep time of 90 minutes
3. Press the SLEEP button again to adjust the desired sleep time.
4. The options are 90-80-70-60-50-40-30-20-10-min. or OFF
5. Now you can enjoy listening to the radio for the pre-set period of sleep time.
6. After this pre-set time has elapsed, the unit will switch off automatically.

## **AUX IN CONNECTION**

1. Insert one side of the audio cable (requires 3.5mm stereo plug, not supplied) into the line-out jack or phones jack on your MP3 player or audio device and the other side to the aux-in jack on the unit.
2. Press the ALM OFF/SOURCE button to select AUX mode, AUX will display in the LED display for a few seconds.
3. Turn on your MP3 player and follow the playback instruction.
4. To stop this function, simply turned off your MP3 player.

## **SPECIFICATIONS**

Frequency Range:	AM 520 - 1710 KHz FM 87.5– 108 MHz
Power Supply:	AC 120V ~ 60 Hz
Back-Up Battery:	2 pc. UM4 'AAA' size (Not included)

Specifications are subject to change without prior notice.