

EZ SMART **GUTTER CLEANER™**

EZsmart Gutter Cleaner



Model: GC18-1

User Guide

Please read these instructions completely
before operating this product.

Safety Instructions

PRODUCT SAFETY: When used in the directed manner, this unit has been designed and manufactured to ensure your personal safety. Improper use of this product can result in potential electrical shock or fire hazards. Please read all safety and operating instructions carefully before installation and use, and keep these instructions handy for future reference.

CAUTION

RISK OF ELECTRIC SHOCK
DO NOT OPEN

CAUTION: To reduce the risk of electric shock do not remove cover (or back). No user serviceable parts inside. Refer servicing to qualified service personnel.



DANGEROUS VOLTAGE: The lightning flash with arrowhead, within an equilateral triangle, is intended to alert the user to the presence of uninsulated dangerous voltage within the product's enclosure that may be of sufficient magnitude to constitute a risk of electric shock to persons.



ATTENTION: The exclamation point within an equilateral triangle is intended to alert the user to the presence of important operating and maintenance (servicing) instructions in the literature accompanying the appliance.

WARNING: TO PREVENT FIRE OR SHOCK HAZARD, DO NOT EXPOSE THIS UNIT TO RAIN OR MOISTURE.

CAUTION: Any changes or modifications to this equipment not expressly approved by the party responsible for compliance could void your authority to operate the equipment.

BATTERY Recycling and Disposal Information:

- Do not dispose of electronic devices or any of their components (especially batteries) in your municipal trash collection.
- Consult your local waste management authority or a recycling organization like Earth911.com to find an electronics recycling facility in your area.
- We have partnered with the RBRC (Rechargeable Battery Recycling Corporation) to promote the collection and recycling of spent lithium ion batteries in the United States and Canada. The RBRC seal indicates that we have prepaid for recycling the battery. The seal has a toll free phone number (1-800-822-8837) that connects you to information on battery recycling locations and information on battery disposal bans or restrictions in your area. **CAUTION:** Rechargeable batteries must be recycled or disposed of properly.



Lithium-Ion Battery Warning:

- This equipment contains a rechargeable lithium-ion battery.
- Do not charge the battery in temperatures below 32° F (0° C) or higher than 113° F (45° C).
- Do not open or mutilate the battery.
- The rechargeable batteries contained in this equipment may explode if disposed of in a fire.
- Do not short-circuit the battery.
- Do not charge the rechargeable battery pack used in this equipment with any charger other than the one designed to charge this battery pack as specified in the owner's manual. Using another charger may damage the battery pack or cause the battery pack to explode.

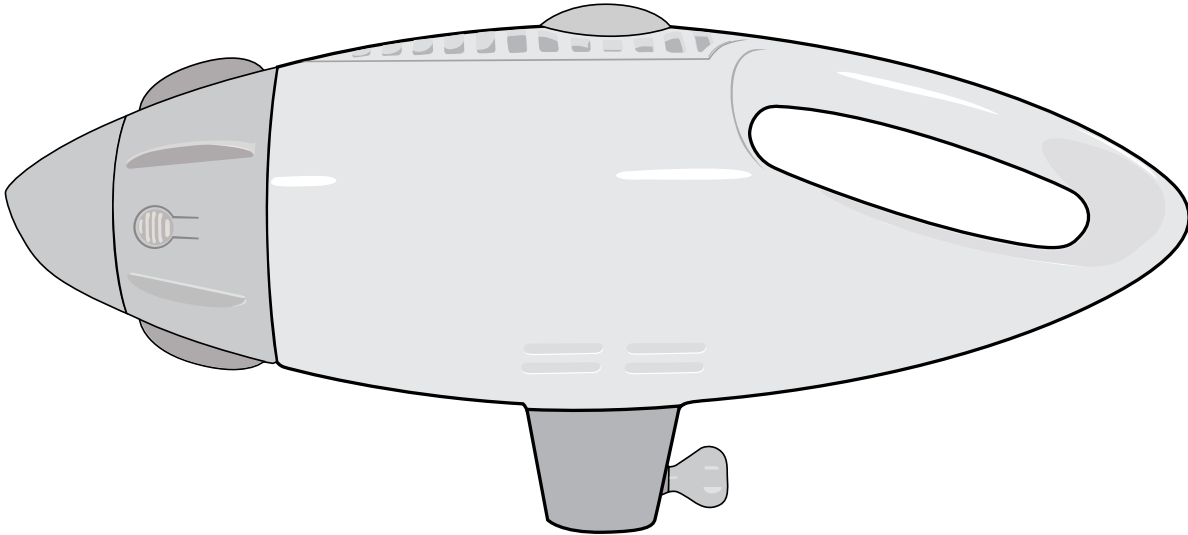
IMPORTANT SAFETY INFORMATION

When using this blower, basic precautions should always be followed, including the following:

1. All the safety and operating instructions should be read before the product is operated. Follow all operating instructions.
2. The safety and operating instructions should be retained for future reference.
3. Comply with all warnings on the product and in the operating instructions.
4. Power Sources - This product should be operated only from the type of power source indicated on the marking label. If you are not sure of the type of power supplied to your location, consult your video dealer or local power company. For products intended to operate from battery power, or other sources, refer to the operating instructions.
5. Attachments - Do not use attachments unless recommended by the product manufacturer as they may cause a hazard.
6. Do not use blower near water - for example, near a bath tub, wash bowl, kitchen sink or laundry tub, in a wet basement, near a swimming pool and the like.
7. Store blower indoors.
8. Do not allow blower to be used as a toy. Keep children away.
9. All visitors should be kept at a distance from the work area.
10. Do not put any object or fingers into the openings. Do not use with any opening blocked; keep free of anything that may reduce air flow.
11. Keep hair, loose clothing, fingers and all parts of body away from openings and moving parts.
12. Do not use in areas where flammable or combustible liquids, such as gasoline, may be present.
13. Do not lend or rent the blower without the instruction manual. Be sure that anyone using it understands the information contained in this manual.
14. To reduce the risk of injury and/or damage to property, never let your power tool run unattended. When it is not in use (e.g. during a work break), shut it off and make sure that unauthorized persons do not use it.
15. Be alert - if you get tired, take a break. Tiredness may result in loss of control. Working with any power tool can be strenuous. If you have any condition that might be aggravated by strenuous work, check with your doctor before operating this blower.
16. Protect the AC Adapter from rain and dampness. Keep charger dry.
17. The AC Adapter heats up during the charging process. Do not operate on an easily combustible surface (e.g. paper, textiles) or in an easily combustible environment - risk of fire.
18. Do not operate in a hazardous location, i.e. in a location where there are combustible liquids (fumes), vapors or dusts. Chargers can produce sparks, which may ignite the dust or vapors - risk of explosion.
19. To reduce the risk of injury from loss of control, never work on a ladder, in a tree or any other insecure support.
20. Watch for hidden obstacles such as tree stumps, roots and ditches to avoid stumbling. For better footing, clear away fallen branches, scrub and cuttings. Be extremely cautious when working on slopes or uneven ground.
21. Inhalation of certain dusts, especially organic dusts such as mold or pollen, can cause susceptible persons to have an allergic or asthmatic reaction. Substantial or repeated inhalation of dust and other airborne contaminants, in particular those with a smaller particle size, may cause respiratory or other illnesses. Control dust at the source where possible. Use good work practices, such as operating the unit so that the wind or operating process directs any dust raised by the power tool away from the operator. Follow the recommendations of EPA/OSHA/NIOSH and occupational and trade associations with respect to dust ("particulate matter"). When the inhalation of dust cannot be substantially controlled, i.e. kept at or near the ambient (background) level, the operator and any bystanders should wear a respirator approved by NIOSH/MSHA for the type of dust encountered.
22. Never point the blower at anybody.
23. Do not attempt any maintenance or repair work not described in this user guide.

What is Included

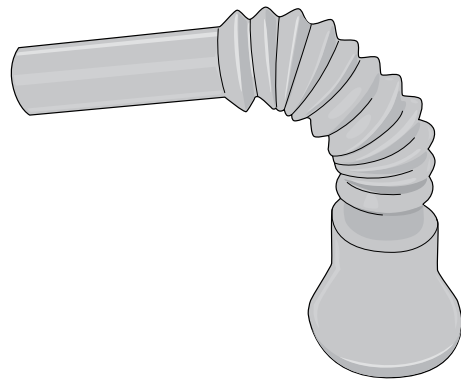
After unpacking, you will have the following items:



Blower



AC Adapter



Hose Nozzle



EZsmart Gutter
Cleaner



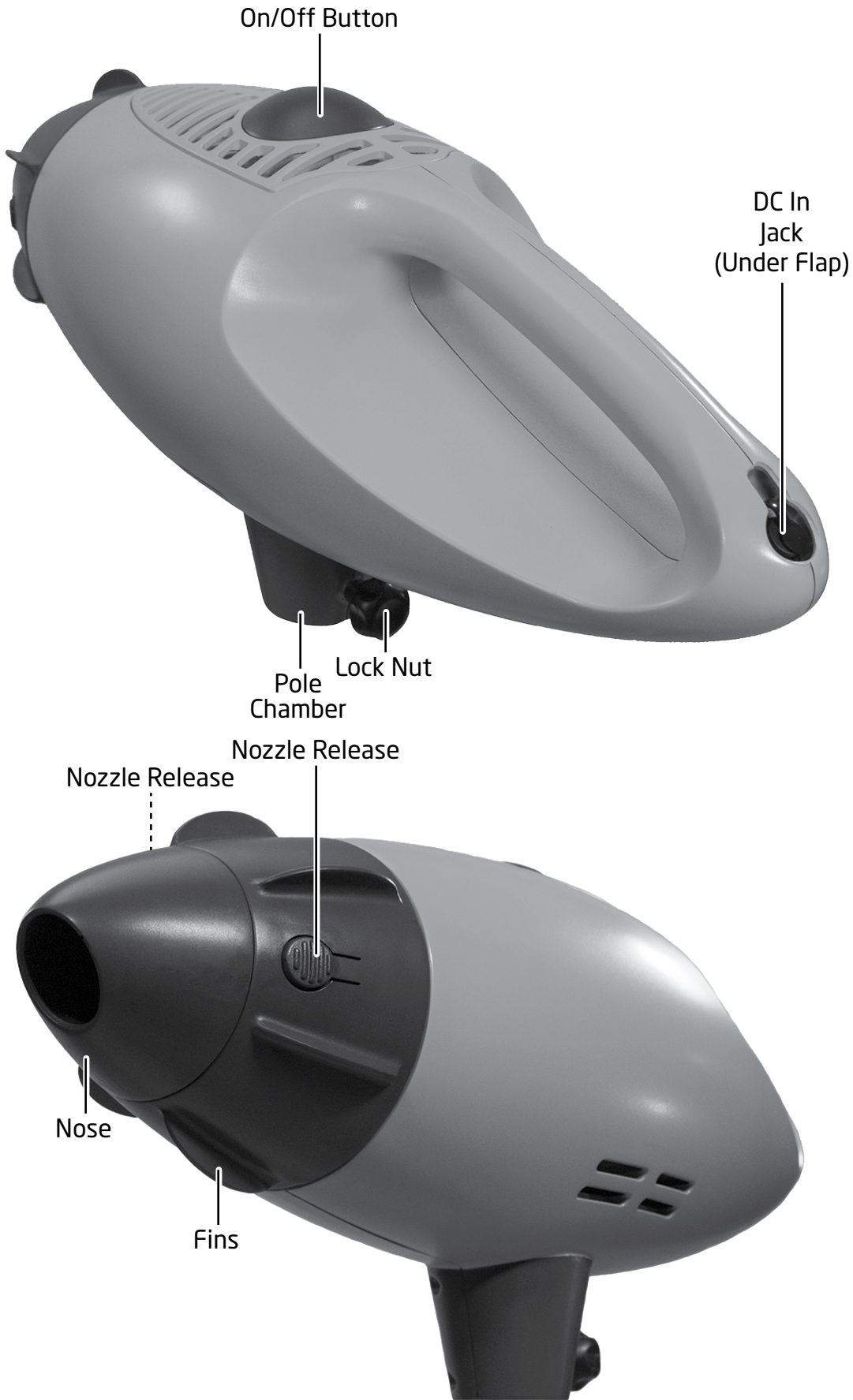
Model: GC1B-1

User Guide

Please read these instructions completely
before operating this product.

User Guide

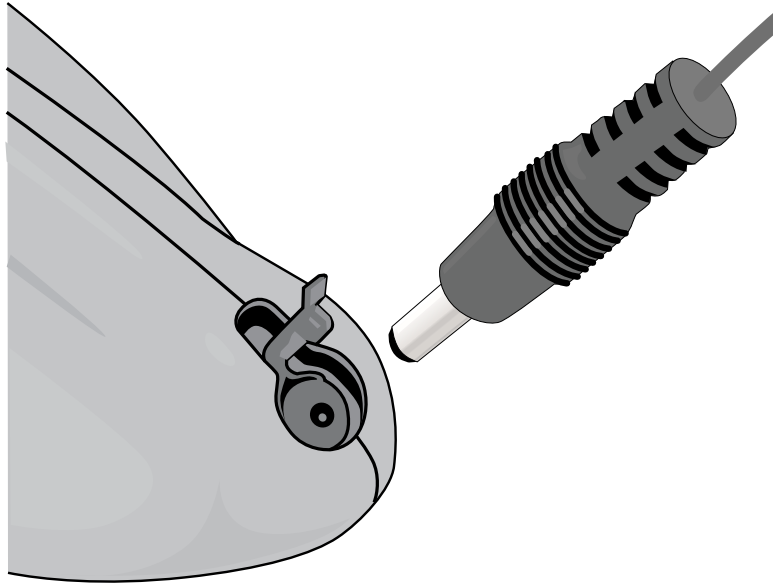
Location of Controls



Charging the Battery

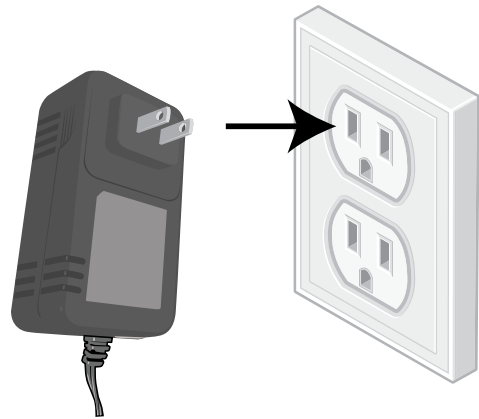
When the blower's performance starts to degrade, it is time to recharge the battery as follows:

- 1** Lift up rubber flap to expose the DC In jack. Insert the AC Adapter's plug into the DC In Jack.



- 2** Insert the AC Adapter into an AC Outlet having 120V, 60Hz; the Indicator on the AC Adapter will be red while it is charging.

When the indicator turns green, the blower is fully charged. Make sure to disconnect the AC Adapter at this point.



Important: Please charge the blower fully before first use.

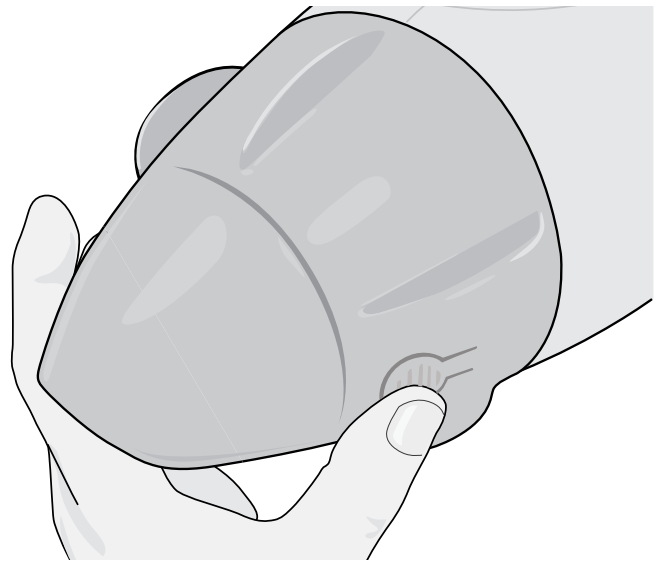
Operation

BEFORE OPERATING:

- Make sure to read the Important Safety Information before operating.
- To reduce the risk of injury to your eyes, never operate the blower unless wearing goggles or properly fitted protective glasses with adequate top and side protection complying with ANSI Z 87.1 (or your applicable national standard).
- We recommend the use of sound barriers (ear plugs or ear muffs) to protect your hearing.
- Good footing is very important. Do not wear sandals, flip-flops or go barefoot.
- Always check the blower to make sure there are no cracks or anything that will indicate a problem. Never operate if it is damaged.
- In the event of an emergency, turn the unit off immediately.
- Do not wear loose clothing, scarves or neck chains or let long hair hang loose, since these can be drawn into rotating parts of the blower and cause injury.

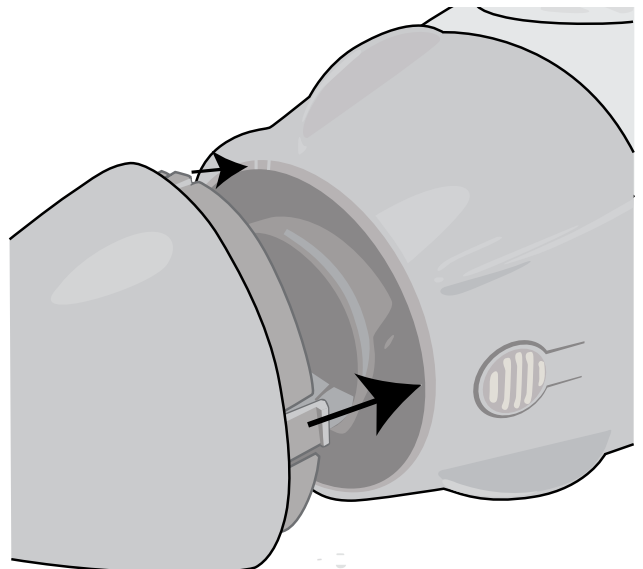
1 The unit comes installed with the standard nozzle that is suitable for standard gutter cleaning. However, also included is the Hose Nozzle that will allow you to blow leaves from around downspouts, in roof valleys (where roofs connect), unusual gutter hard-to-reach areas, etc.

To change a Nozzle, press in on both Nozzle Release buttons, then lift off the Nozzle.



2 Insert the new Nozzle by aligning the tabs with the Nozzle Release buttons, as well as the top tab and push on. Make sure it is securely inserted by gently tugging on it.

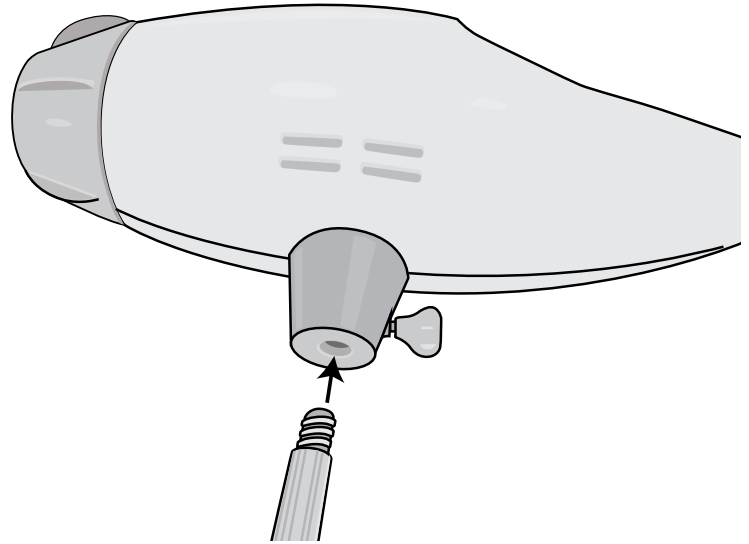
Description of the Hose Nozzle is described in step 8.



Operation

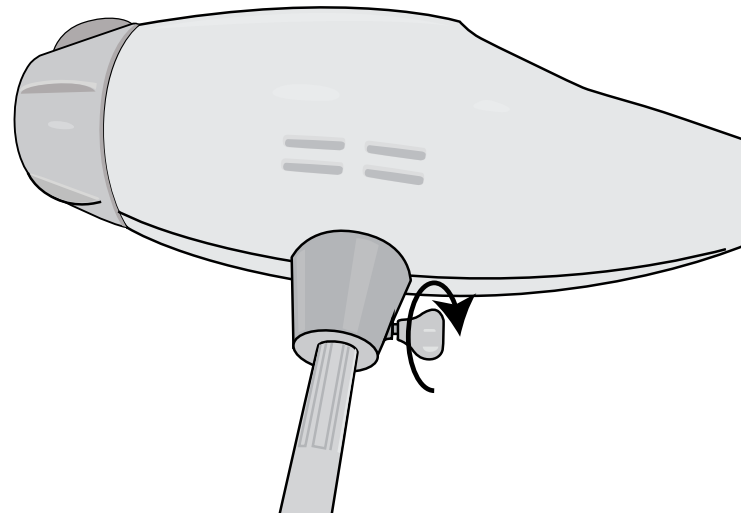
- 3** The blower is designed to attach to a standard extension pole with a standard thread, but it is a must to use one that is strong enough to hold the weight of this blower.

Make sure the Lock Nut is loosened to allow the pole to be inserted. Then insert the threaded side into the Pole Chamber and turn the pole counter-clockwise until it is tight, but **DO NOT OVER-TIGHTEN**.

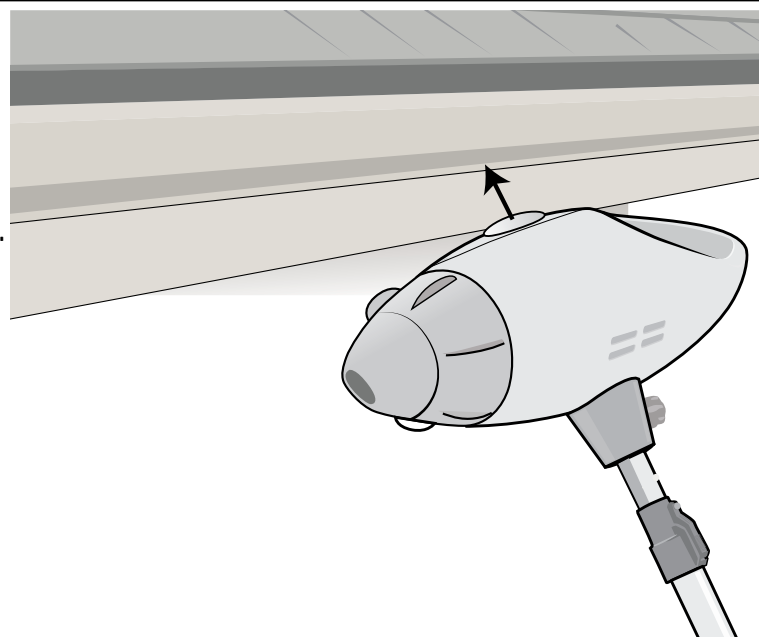


- 4** After inserting the pole, tighten the Lock Nut by turning it clockwise until tight, but **DO NOT OVER-TIGHTEN**.

You are now ready to use the blower.



- 5** Turn the unit on by pressing the large On/Off switch. This is a large push button so it can be pressed against the bottom of the gutter or similar surface to turn on or off. This is the recommended method to turn on.



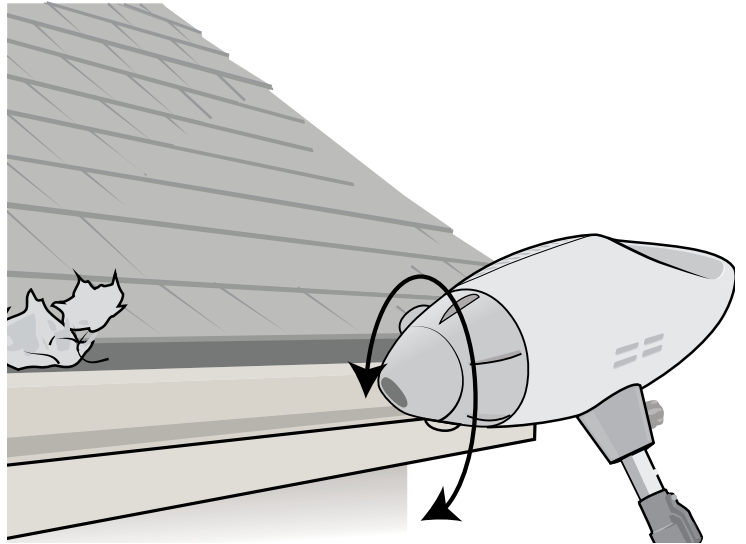
Operation

- 6** Now simply slide the blower across the gutter as shown to blow out the leaves. Stand with the pole at varying angles for best results.

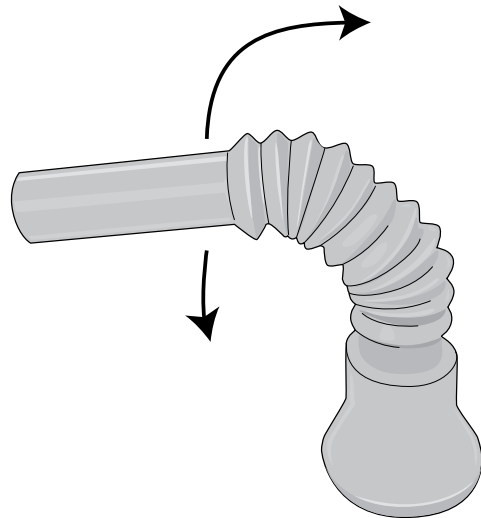
Individual conditions will vary when using this blower. Some practice and experimentation will be necessary to find the most effective position for the type of house and gutter design.



- 7** The fins along the Nozzle move freely to allow you to rotate the Nozzle position. Simply use the gutter to rotate the Nozzle to the desired position. This is very useful when making another pass along the gutter in the opposite direction.



- 8** If using the Hose Nozzle, gently bend the flexible hose as desired and use similarly to the standard nozzle.



Operation

- 9 When done using, tap the On/Off button on the bottom of the gutter or similar surface to turn it off.
Clean blower and store in a cool (not cold), dry area.

Note: For videos showing the blower in use, visit:

www.EZsmartTools.com

Troubleshooting and Maintenance

PROBLEM: Blower will not turn on.

SOLUTION 1: Make sure the battery is charged.

SOLUTION 2: Press the On/Off button firmly to turn the unit on.

PROBLEM: Blower is not blowing as strong as usual.

SOLUTION 1: Make sure the battery is charged. When the battery is low, the blower will not perform as well.

MAINTENANCE:

This blower does not require much maintenance other than cleaning with a damp cloth after using.

Registering the Unit

Please visit www.EZsmartTools.com to register your new EZsmart Gutter Cleaner unit within ten (10) days of the purchase. You will be asked to provide the store name and date of purchase, along with your name and address.

The registration will enable us to contact you in the unlikely event of a product safety notification. By registering, you acknowledge that you have read and understood the instructions for use of the unit, and warnings set forth in the accompanying instructions.

Warranty

EZsmart Gutter Cleaner, LLC warrants this product to be free from defects in material and workmanship for a period of one (1) year from the original date of purchase, when utilized for normal household use, subject to the following conditions, exclusions and exceptions.

If your unit fails to operate properly while in use under normal household conditions within the warranty period, return the complete product and accessories in one of two ways.

First option - Return the product to the retailer from whom it was purchased (provided that the store is a participating retailer). All returns should be made within the time period of the retailer's policy for exchanges (typically 30-90 days after purchase). Proof of purchase may be required. Check with retailers for their return policy.

Second option - Send freight prepaid to:
EZsmart Gutter Cleaner, LLC
7914 W Dodge Rd #307
Omaha, NE 68114

Accessories are not included in the warranty.

If the product is found to be defective in material or workmanship, EZsmart Gutter Cleaner, LLC will repair or replace it free of charge. Proof of purchase date and \$19.95 to cover the cost of return shipping and handling must be included.

Non-durable parts included, without limitation, electric parts which normally require replacement are specifically excluded from warranty.

The liability of EZsmart Gutter Cleaner, LLC is limited solely to the cost of the repair or replacement of the unit at our option. This warranty does not cover normal wear of parts and does not apply to any unit that has been tampered with or used for commercial purposes. This limited warranty does not cover damage caused by misuse, abuse, negligent handling or damage due to faulty packaging or mishandling in transit. This warranty does not cover damage or defects caused by or resulting from damage from shipping or repairs, service or alterations to the product or any of its parts, which have been performed by a repair person not authorized by EZsmart Gutter Cleaner, LLC.

The warranty is extended to the original purchaser of the unit and excludes all other legal and/or conventional warranties. The responsibility of EZsmart Gutter Cleaner, LLC if any, is limited to the specific obligation expressly assumed by it under the terms of the limited warranty. In no event is EZsmart Gutter Cleaner, LLC liable for incidental or consequential damage of any nature whatsoever. Some states do not permit the exclusion or limitation of incidental or consequential damage, so the above may not apply to you.

This warranty gives you specific legal rights, and you may also have other rights which vary from state to state or province to province.

IMPORTANT: Carefully pack item to avoid damage in shipping. BEFORE packing the unit, make sure to include proof of purchase date and attach a tag that has your name, complete address and phone number, as well as a note giving purchase information and what you believe is the problem with the unit. We recommend you insure the package, as damage in shipping is not covered by your warranty. Mark the outside of your package "ATTENTION CUSTOMER SERVICE". We are always working diligently to improve our products, therefore the specifications contained herein are subject to change without notice.