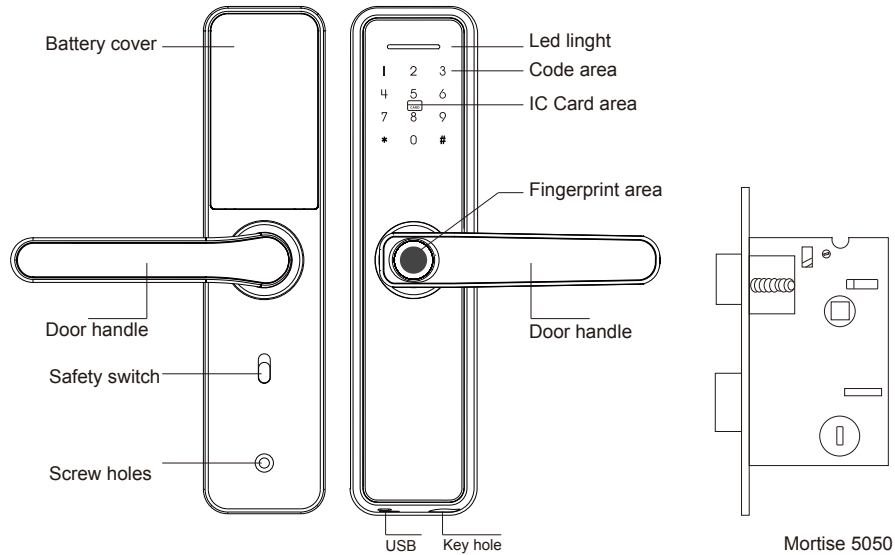


# Smart lock Manual



## Technical parameters

Administrators : 9	Fingerprint : ≤ 50
Unlock methods : Fingerprint, IC card, Password, Key, Tuya smart	Card : ≤ 100
Quiescent current : < 50-65uA	Password : ≤ 100
Lower voltage alarm : 4.5±0.2V	Password length : 6-8 bit
Power supply : 4.5V-6V(4 pcs batteries)	Phantom password : 16 bit
	Working temperature : -10°C~60°C

## Product details

Any password, fingerprint, and IC card can be opened before leaving the factory (the length of the password is 6-8 digits), which is to facilitate user experience.

The temporary administrator password when leaving the factory is: 123456

**Add fingerprint:** Press the fingerprint 5 times, and the angle of the fingerprint is as different as possible each time, and enter the fingerprint on one finger into the system as much as possible.

**Fake password:** For example: the correct password is 112233, we can enter 5566 112233 5566 when unlocking, (5566 is a false password at this time, in order to prevent others from remembering your password.)

\* is the reverse, # is the confirm. After the system setting is completed, you can press \* to return or wait for the system to exit automatically.

## Accessories

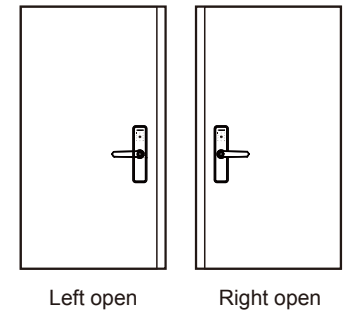
Item	Picture	Accessories	Quantity	Item	Picture	Accessories	Quantity
1		Mortise lock	1PC	5		Key	2PC
2		Buckle Plate	1PC	6		Square pole	1PC
3		Buckle box	1PC	7		Screw	2PC
4		IC card	2PC	8		Connecting rod	2PC

## Door thickness

Suitable to 35mm ~ 70 mm thickness door.

## Determine the door direction

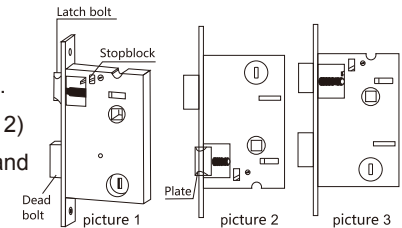
When a person stands outside the door and opens the door with his left hand, that means choosing the left open. People who open the door with their right hand choose right open.



## Change lock body direction

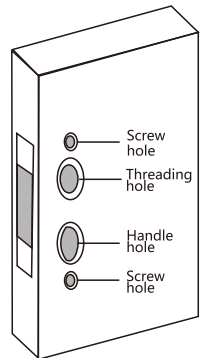
When installing the lock body, the latch bolt is on the upper side, the dead bolt under the latch bolt, and the inclined surface of the latch bolt is facing the opening direction.

- 1 Reserve the lock body and latch bolt is down (refer to picture 2)
- 2 Push the latch bolt lower than front plate, stopblock is down and rotate 180 degrees (refer to picture 2)
- 3 Push the latch bolt into hole (refer to picture 3)

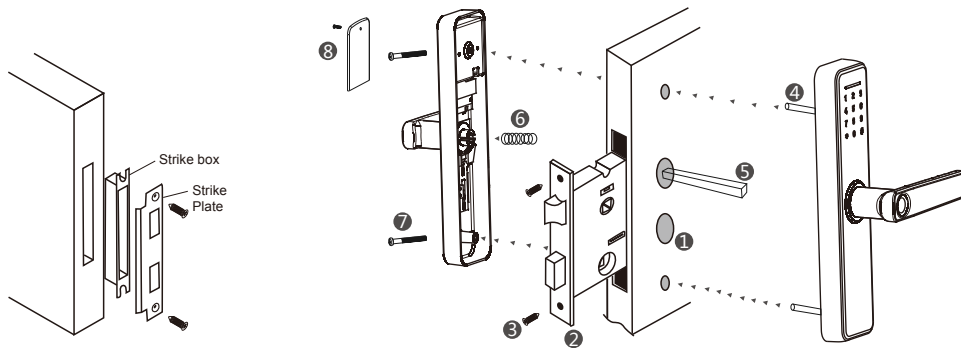


## Cutting template

- 1 please refer template carefully to drill hole
- 2 If there is a deviation in the hole, the mortise and panel assembly are put into the door and the hole is corrected until appropriate.



## INSTALLATION SMART LOCK



## INSTALLATION STEPS

1. Dig holes in the door according to the drawings.
2. Put Mortise in the door.
3. Fix Moritse with screws.
4. Install the connecting rod on the lock.
5. Insert the square pole into Mortise.
6. Put the spring into the rear handle.
7. Tighten the 2 long screws.
8. Tighten the battery cover screws.

## SET UP

Press “\*#”



Please enter administrator information ( Enter 123456 # )

### VOICE

Press 1 for administrator settings >> **Press 1**

Press 1 to add administrator >> **Press 1** >> Enter administrator information(Enter fingerprint, password or IC card,The fingerprint needs to be entered 4 times, the password needs to be entered 2 times, and the IC needs to be entered 1 time.

Press 2 to delete administrator >> **Press 2** >> Enter number press # confirm(002#)(Unable to delete all, the first administrator reserved)

Press 3 to Internet settings >> **Press 3** >> Hotspot connection press “1”  
Intelligent connection press “2” (TUYA)  
(This function is only available for wifi lock)

**Add device** >> **Security & Sensors** >> **Lock (Wi-fi)** >> **Input network password** >> **Fast flashing 0.5 second** >> **No** >> **Adding device...**

Press 2 for user settings >> **Press 2**

Press 1 to add user >> **Press 1** >>

Enter administrator information(Enter Fingerprint,Password,IC card,Remote control,The fingerprint needs to be entered 5 times, the password needs to be entered 2 times,the IC needs to be entered 1 time,the Remote control needs to be entered 1 time.

Press 2 delete user >> **Press 2** >>

Press 1 to delete according to the number >> Please enter the number and press # to confirm.  
Press 2 to delete all users >> Press # to confirm, the system will delete all users.

Press 3 for system settings >> **Press 3**

Press 1 to voice setting >> **Press 1** >>

Press 1 to turn on voice, Press 2 to turn off the voice.

Press 2 to Unlock mode >> **Press 2** >>

Press 1 is one way to unlock.(Any way to unlock, fingerprint, password or IC card.)  
Press 2 to unlock the lock in two ways.(It must use two ways to unlock, two different passwords or passwords and fingerprints.)

Press 3 to selection language >> **Press 3** >>

Press 1 Chinese,Press 2 English.

Press 4 to time setting >> **Press 4** >>

The system will say the current time, and the screen will display all the numbers. Please enter the time in the local country, for example: 202008241608 (2020 is the year, 08 is August, 24 is the 24th, 16 is 16 o'clock, 08 is 8 minutes. (Month , Day, hour, minute, please enter 2 digits).

Press 5 to modify the room number >> **Press 5** >>

The system default room number is 8888, you can enter the room number you need.(Character 1-5).

Press 4 for restore settings >> **Press 4**

Please enter administrator information >>

The screen light flashes and the recovery is successful.

## Connect with Tuya Smart APP

1. Set an administrator information (password or fingerprint or IC card) to the smart lock.
2. Set the lock time. Setting method: Refer to the above.
3. Download Tuya Smart or smart life on the mobile app store.
4. Open the Tuya Smart APP, register an account and log in >> Press \*# on the smart lock >> Enter administrator information # >> Press 1 >> Press 3 >> Press 2 (The lock 5 flashes)  
Go to the APP interface and click Add Device >> Security Sensing >> Door Lock (wifi) >> Network Name, Network Password >> Click (Confirm that the lock is flashing) >> Voice (connection is successful)  
APP interface display: alarm, member management, door opening log, temporary password.
5. Enter member management, the system displays (unassociated), click Unassociated "Edit" to add fingerprint (input the fingerprint number assigned by the door lock) or add a password (input the password number assigned by the door lock) or add an IC card (input the door lock allocation IC card number).

## Other instructions

1. If the smart lock cannot connect to wifi, please check whether the anti-lock switch is turned on.
2. If the smart lock cannot connect to wifi, please check whether the battery is too low.
3. If the error message is entered 5 times in a row, the system will automatically lock for 90 seconds.
4. After the voltage is lower than 4.5V, it will automatically alarm every time the lock is unlocked, and the door lock can be opened 200 times after the alarm. Please replace the battery.
5. In the setting, if there is no operation within 10 seconds, the system will automatically exit the setting.
6. Normally open mode: press 5# after unlocking. (Anyone can open it without inputting information, input information: fingerprint ,password or IC card ). Convenient to use when working. When you enter the information again to unlock, the system will automatically change back.
7. Insurance function: Press the Anti-lock switch, the user cannot unlock, only the administrator can unlock.

## **FCC Caution.**

### **§ 15.19 Labelling requirements.**

This device complies with part 15 of the FCC Rules. Operation is subject to the following two conditions: (1) This device may not cause harmful interference, and (2) this device must accept any interference received, including interference that may cause undesired operation.

### **§ 15.21 Information to user.**

Any Changes or modifications not expressly approved by the party responsible for compliance could void the user's authority to operate the equipment.

### **§ 15.105 Information to the user.**

**Note:** This equipment has been tested and found to comply with the limits for a Class B digital device, pursuant to part 15 of the FCC Rules. These limits are designed to provide reasonable protection against harmful interference in a residential installation. This equipment generates uses and can radiate radio frequency energy and, if not installed and used in accordance with the instructions, may cause harmful interference to radio communications. However, there is no guarantee that interference will not occur in a particular installation. If this equipment does cause harmful interference to radio or television reception, which can be determined by turning the equipment off and on, the user is encouraged to try to correct the interference by one or more of the following measures:

- Reorient or relocate the receiving antenna.
- Increase the separation between the equipment and receiver.
- Connect the equipment into an outlet on a circuit different from that to which the receiver is connected.
- Consult the dealer or an experienced radio/TV technician for help.

### **RF warning for Mobile device:**

This equipment complies with FCC radiation exposure limits set forth for an uncontrolled environment. This equipment should be installed and operated with minimum distance 20cm between the radiator & your body.

---