



size:105X145mm



Chunzhengyoupin
G2 Smart Cane User Manual

Shenzhen Hengbida Electronics Technology co.,Ltd.

Dear users
Thank you for choose our product. A simple way to operate and know its useful function.
This cane can work with phone app (xiyangbanlv) synchronously. The app supports ios and android., and can be downloaded in the 360 mobile phone assistant or Tencent application treasure.



Android iOS

Product specifications
Materials:PC & comfortable silicon for the hand
Pole:The carbon fiber
Adjustable length: 82-105cm
Product images:


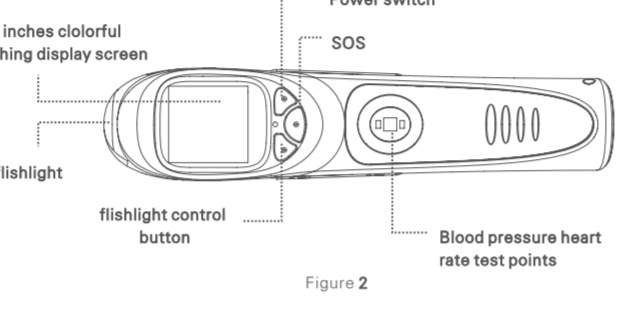
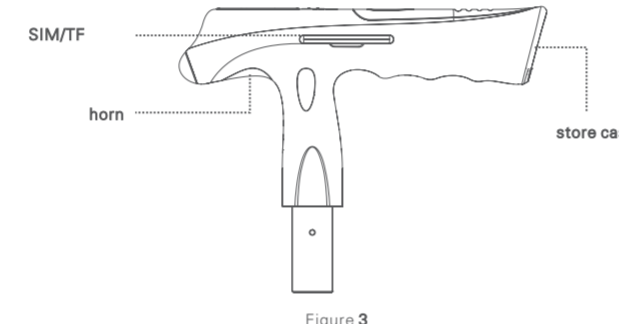


Figure 1

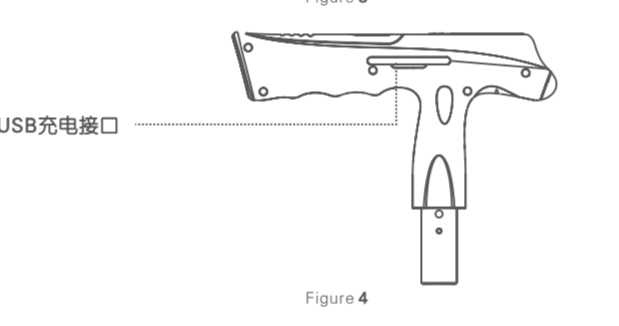
1.Description for Functional Buttons and Exterior Design



1.44 inches colorful touching display screen
flashlight
flashlight control button
Power switch
SOS
Blood pressure heart rate test points



SIM/TF
horn



store case

Figure 2
Figure 3
Figure 4

USB充电接口

2.Register App in smart phone to connect with the cane

2.1 Put SIM card into the cane, the hold the "power" button for 3 seconds to boot with the cane




Figure 5

2.2 Scan the QR code, download and install the app to log in and to connect your phone with the cane

2.3 Click the new user to register as image 6:



Figure 6

2.4 Fill in your phone number and set the password. Registration code can be found in the small drawer, then scan and submit the QR code. If it shows it's successful, then your registration is okay.

2.5 If you forget your password, click "forget" , just input your phone number and registration code, then the password can be reset

2.6 Set is finished, then log in as following:




Figure 7

3.App functions instruction

3.1 Registered and set up app, touch the "login" in app to enter system by phone number and password you have set before image 8 is the entering app icons;

3.1.1 Step calculation: Check the dates about steps you have made

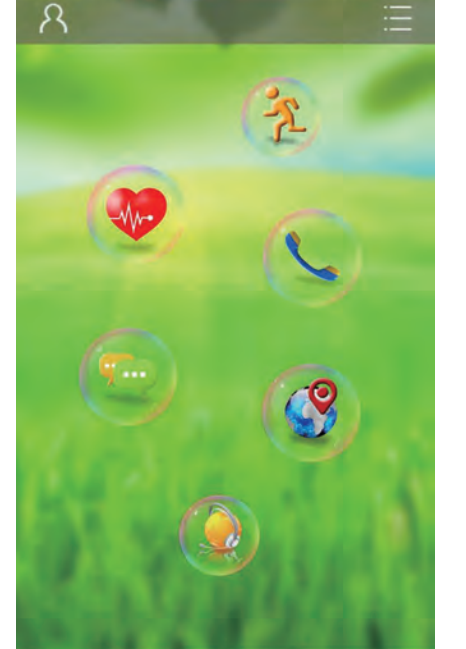


Figure 8

3.1.2 Blood pressure & heart beats: Show one week history dates

3.1.3 Wechat: Chat with the cane through your app

3.1.4 Call: cane holder can answer the phone by your call

3.1.5 Position: Check where the cane is

3.1.6 Listening: Touch this icon, then cane will call back and hear around voice when it get through

3.2 Click avatars,enter a page as image 9. Operating steps as follows:

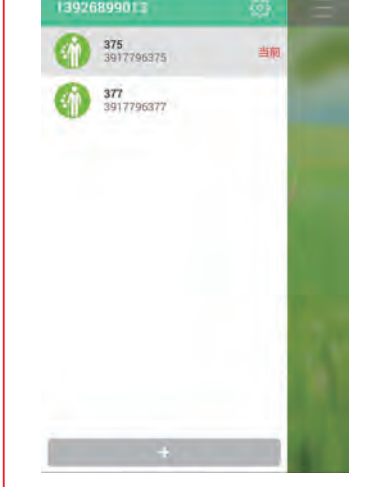


Figure 9

3.3 Click the setting, the go to user setting, as imge 10;

3.3.1 User information; change name, fill in QQ information and family location

3.3.2 Revise password; change a new one

3.3.3 Map switch; Google map/Scott map

3.4 Click "+" in picture 2 to connect with another device side

3.5 Click the picture 1 icon like this' to go to the image picture 11 shows. Operate as follows:



Figure 10



Figure 11

3.5.1 Device setting, as following picture 12:




Figure 12

Device information: set up information can be revised and checked here

Life Reminders: Click the "+" , then you can add more reminders, set up the different time for different reminders. The cane holder will hear a sound and see content it displays when time comes to it

Caring time: set up this period of time to help check the user position information

Remove binding: It means to cut off the connection between phone with cane, Register again when it is unbound

3.5.2 Notifications: display the information SOS or the fall alarm

3.5.3 Family number: Only call for the number that sets up in the app

3.5.4 Electronic fence: set electronic fence, app in your phone will alert

4.Cane functions instruction

4.1 Automatically synchronize the time and date after Cane connects with the phone app

4.2 Double click the screen, then go to the menu

4.2.1 Phone book: Choose the phone number from your cane phone book, and click "call" to make a phone call

4.2.2 Wechat: Cane chat with app. Press " Hold to talk" , then let it go to send Voice messages

4.2.3 Friends: Add friends to each other

4.2.4 Blood pressure heart rate test: The following picture shows how to put your hands, Fingers on the measuring position(don't press too hard),cover the luminous position

Figure 13

Attentions to the blood pressure measurement:
Don't stand to measure when you're measuring. Let the body flat to sit and stay calm
Don't measure it when you're in cold condition. Try to keep the body temperature, cause it will be failed when your hand temperature is too low

Following dates for your reference

Blood Pressure Type	Pressure (mmHg)	Low Pressure(mmHg)
Low	<90	<60
Normal	90-139	60-90
High	>140	>90

4.2.5 Music: Click to play the music. Choose the " Options" from the list(TF card inside), then find "add" from "options" to get music document you need. Click "ok" , then the music you choose are all to the play list through click "return" to the play page,

4.2.6 Radio: Click to the radio

4.2.7 Calendar: Check the date

4.2.8 Album: View the photos.

4.2.9 Pedometer: Calculate the steps and set the information

4.2.10 Ringing Tones: Set ring. Like ring the bell and vibration mode, etc

4.2.11 Setting: Turn on/off or turn up/down the voice for announcing the functions item

4.2.12 Shutdown: Power off

4.3 Flashlight: Adjust the brightness of the light by pressing times:1(boot)—2(brightest)—3(power off)

4.4 Press SOS for 2 times to hear the time

4.5 SOS alarm by pressing SOS button for a while with the cane light flashing and calling circulation

5.Tumbling and alarm function

Tumbling alarm: 45 seconds after falling—alarm and light flashing; 90 seconds —light flashing and voice alarm; 120 seconds(no voice)—send position inf. to app and calling circulation, light keeps flashing when it finished. Alarm stops when the cane is taken or press SOS button

6. Attention

6.1 The cane is electronic product,so don't place it in somewhere wet or dusty, and somewhere with high heat.Like stove...

6.2 Do not impact or strike product; It intend to assist users, please note that it can not be used for any other used way except normal using

6.3 Please contact and send to service, do not take it apart by yourself

6.4 Do not use the cane to call or test the blood pressure for your safety in thunderstorm weather

guarantee

Dear user,
Thank you for your trust to our product. We will also provide our best service for it. Attached Guarantee for you to maintain you rights.

Attention for you can get your rights:

- 1.Fill in the warrantee by correct intact information with stamp on it
- 2.Please ask for or Purchase the invoice and keep it properly
- 3.Keep the card, three guarantees and valid invoice properly(guatees need to be intact real one, invoice needs brand model and date ,stamp and amount)
- 4.Please check the packing, make sure the product fits the worlds
- 5.Please keep all attached in package properly; Change or return goods need it all
6. The cane can only tear down by Authorized service personnel, so please keep it intactly. Service can not be owned if the seal cracked.

Note: The interpretation of the contents of this card is owned by Shenzhen Hengbian Electronic Technology Co., Ltd. All rights reserved.

Three guarantees card

Phone: _____

Mail: _____

Product ID: _____

Purchase Date: _____

Purchase Play: _____

Invoice Number: _____

Note: This card vendors seal can take effect

limited guaranty

Guaranty range:
Company guarantees that no defaults in materials and artworks with the warranty period. If something goes wrong, we will fix or replace it.

Guarantee Object:
All parts of the cane warranty period is one year, and guarantee from the date of purchase artificial service for one year

The Insured Object:
Only valid to original purchaser

Out of the scope of guaranty:

1. Any serial number damaged, altered or erased.
2. Caused by the following loss, damage or malfunction
 - A Accident, wrong operation, neglect, fire, flood, lightning or other natural disasters, unauthorized product modification
 - B without the company authorized personnel to repair or try to repair
 - C Product damage caused by external causes, such as power fluctuations
 - D Cause by using substitutes which is not matched with the cane or parts
 - E Caused by other reasons rather than by the product defects

How to get service:
Warranty services, following documents are needed:
A Original receipt with date
B User name
C Address
D Description for the problems
E The product serial number

3.Please send the product with original package to the company authorized service center or the company by rapid freight

4. Want to know more, get nearest service center, please contact with us

Implicit guarantee:
In addition to the guarantee described in this article, any other rules and assurance is not provided, including the marketability and the applicability of the special purpose warranty Loss of discretion account terms;
Our liability is limited to bear the cost of the repair or replacement, the company will not be responsible for following items:

1. Any damage to property caused by the product defects, losses due to this product is difficult to use, the result of using this product Loss, loss of time, loss of profit, loss of business opportunity, loss of business reputation, loss of business relationship, even if it has been remind by the company is not responsible for such losses
2. Any other loss, whether it's unexpected, secondary, or other losses
3. Any other claims from the customer

Shenzhen Hengbida Electronic technology co., Ltd
Add: Building D Shanghe Nanchang Industrial Park Nanchang North Road Gushu Village
Xixiang Town Baoan Distric Shenzhen China
Factory shop add: Saige factories door 3, Baohua building, Huaqiangbei road, Futian district, Shenzhen
Web: www.szhbbdz.com
Tel: 0755-29603930

This device complies with part 15 of the FCC Rules. Operation is subject to the condition that this device does not cause harmful interference (1) this device may not cause harmful interference, and (2) this device must accept any interference received, including interference that may cause undesired operation.

Changes or modifications not expressly approved by the party responsible for compliance could void the user's authority to operate the equipment.


NOTE: This equipment has been tested and found to comply with the limits for a Class B digital device, pursuant to Part 15 of the FCC Rules. These limits are designed to provide reasonable protection against harmful interference in a residential installation. This equipment generates, uses and can radiate radio frequency energy and, if not installed and used in accordance with the instructions, may cause harmful interference to radio communications. However, there is no guarantee that interference will not occur in a particular installation.

If this equipment does cause harmful interference to radio or television reception, which can be determined by turning the equipment off and on, the user is encouraged to try to correct the interference by one or more of the following measures:

- Reorient or relocate the receiving antenna.
- Increase the separation between the equipment and receiver.
- Connect the equipment into an outlet on a circuit different from that to which the receiver is connected.
- Consult the dealer or an experienced radio/TV technician for help.

The device has been evaluated to meet general RF exposure requirement. The device can be used in portable exposure condition without restriction.
FCC ID: 2AKZ2-G2

Model: Smart cane
Type: G2
Shenzhen Hengbida Electronic Technology Co., Ltd
Add: Building D Shanghe Nanchang Industrial Park
Nanchang North Road Gushu Village Xixiang Town
Baoan District Shenzhen China
FCCID:2AKZ2-G2

正

反