

Waterproof Bluetooth speakers



USER MANUAL

Safety Instructions

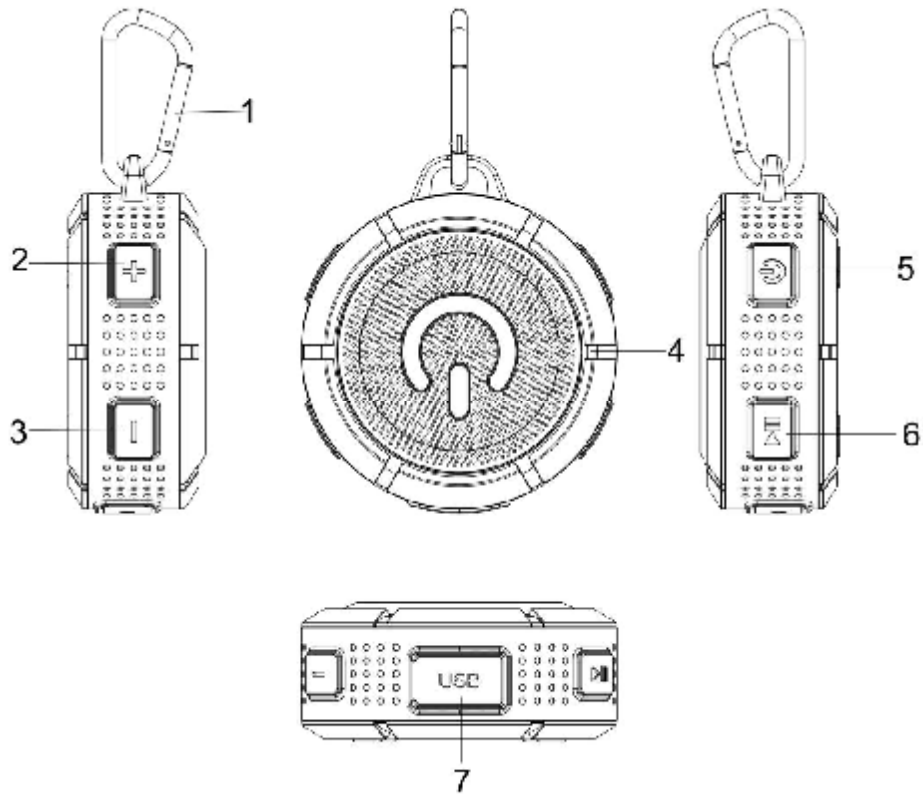
Read this manual carefully before putting the appliance into operation and keep this manual for future reference.

- I Keep the device away from heat, direct sunlight and sharp edges.
- I Keep the device away from naked flames.
- I Do not insert any metal object into the device.

Risk of short circuit!

- I To avoid a static charge, do not use the device in an extremely dry climate.
- I Do not repair the unit yourself but contact an authorized specialist.

Product Overview



Button Description

1. Carabiner

- ┆ Convenient carry solution for fixing to backpack, belt ect.

2. + Volume Up / Next song

- ┆ Short press for next song
- ┆ Long press for volume up

3. - Volume Down / Next song

- ┆ Short press for previous song
- ┆ Long press for volume down

4. LED indicator – built-in battery status

- ┆ Blue LED flashing – Before pairing successfully, pairing and playing.
- ┆ Blue LED on – Playing pause and after pairing successfully.
- ┆ Red LED on - charging, when charging is finished, it will turn off

5. Power switch On/Off

- ┆ Press for 3 seconds to power on/off
- ┆ The unit will turn off automatically after 5 minutes if no audio devices are paired

6. Pause/Play button

- ┆ Press for pause, press again for play music under Bluetooth playing mode.

7. Micro USB charging port underneath a waterproof and dustproof cover

Accessories included

1 pc USB charging cable

Charge Integrated Battery

This Bluetooth speaker is powered by integrated rechargeable lithium battery. Charge the battery as follows:

1. Insert the charge ring cable into the DC 5V socket on the unit. Connect the USB plug into a PC or AC/DC adaptor. The LED indicator turns red and the battery is being charged.
2. When the battery is fully charged, the red LED indicator goes out.

Pairing DC-0721 to mobile phone or other device

Activate the Bluetooth speaker's pairing mode when in power off mode, by pressing and holding the on/off button for about 3 seconds until the Blue LED lights are flashing, now the speaker is ready for pairing. After pairing successfully, it will turn fixed Blue LED light.

Tips:

Please make sure the speaker is in power off mode.

When trying to activate the pairing mode:

1. Turn on your mobile phone and activate the Bluetooth function.
2. Search for Bluetooth devices. "DC-0721" will show up.
3. Pair your device with "DC-0721". If password is needed, type in 0000, after "DC-0721" is paired with your device, connect it to your device.

Notes & Tips:

Once this speaker is paired and connected to your mobile phone, next time when you switch on this speaker, it will connect to your mobile phone automatically as long as the Bluetooth in your mobile phone is on.

Troubleshooting

Symptoms	Causes	Solutions
Can not switch the speaker on	Battery empty	Charge the battery
Unable to pair the speaker	Speaker is already switched on, and it is not in pairing mode.	Refer to the section of "Pairing DC-0721 to mobile phone or other device"

NOTE: This equipment has been tested and found to comply with the limits for a Class B digital device, pursuant to part 15 of the FCC Rules. These limits are designed to provide reasonable protection against harmful interference in a residential installation. This equipment generates, uses and can radiate radio frequency energy and, if not installed and used in accordance with the instructions, may cause harmful interference to radio communications. However, there is no guarantee that interference will not occur in a particular installation. If this equipment does cause harmful interference to radio or television reception, which can be determined by turning the equipment off and on, the user is encouraged to try correct the interference by one or more of the following measures:

- Reorient or relocate the receiving antenna.
- Increase the separation between the equipment and receiver.
- Connect the equipment into an outlet on a circuit different from that to which the receiver is connected.
- Consult the dealer or an experienced radio/TV technician for help.

044-15-1086'17
STYLE# SM-38039
MADE IN CHINA

§ 15.19 Labelling requirements.

This device complies with part 15 of the FCC Rules. Operation is subject to the following two conditions: (1) This device may not cause harmful interference, and (2) this device must accept any interference received, including interference that may cause undesired operation.

§ 15.21 Information to user.

Any Changes or modifications not expressly approved by the party responsible for compliance could void the user's authority to operate the equipment.

RF warning for Portable device:

The device has been evaluated to meet general RF exposure requirement.
The device can be used in portable exposure condition without restriction.