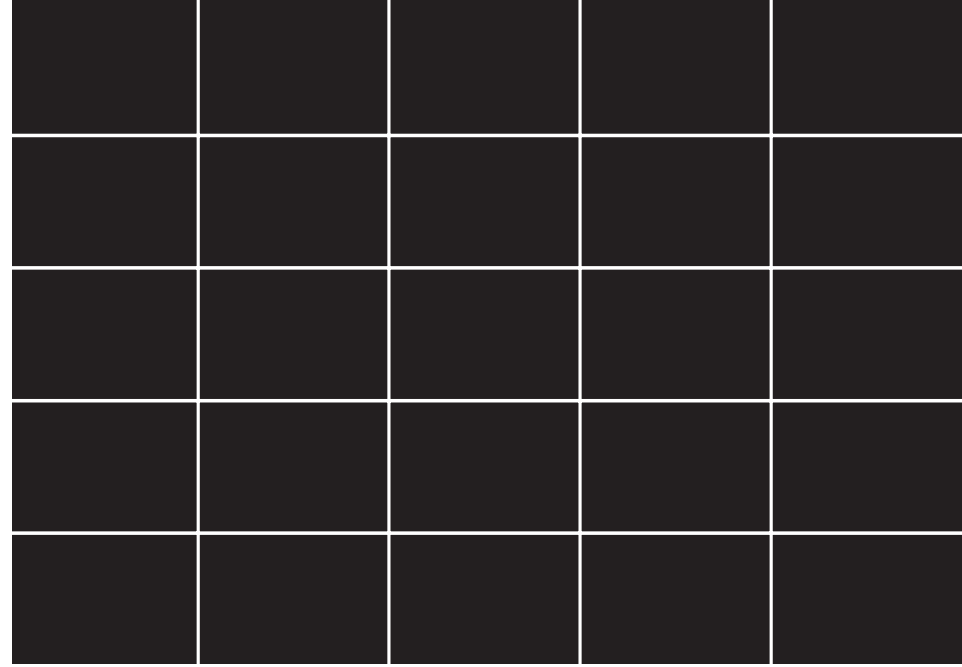
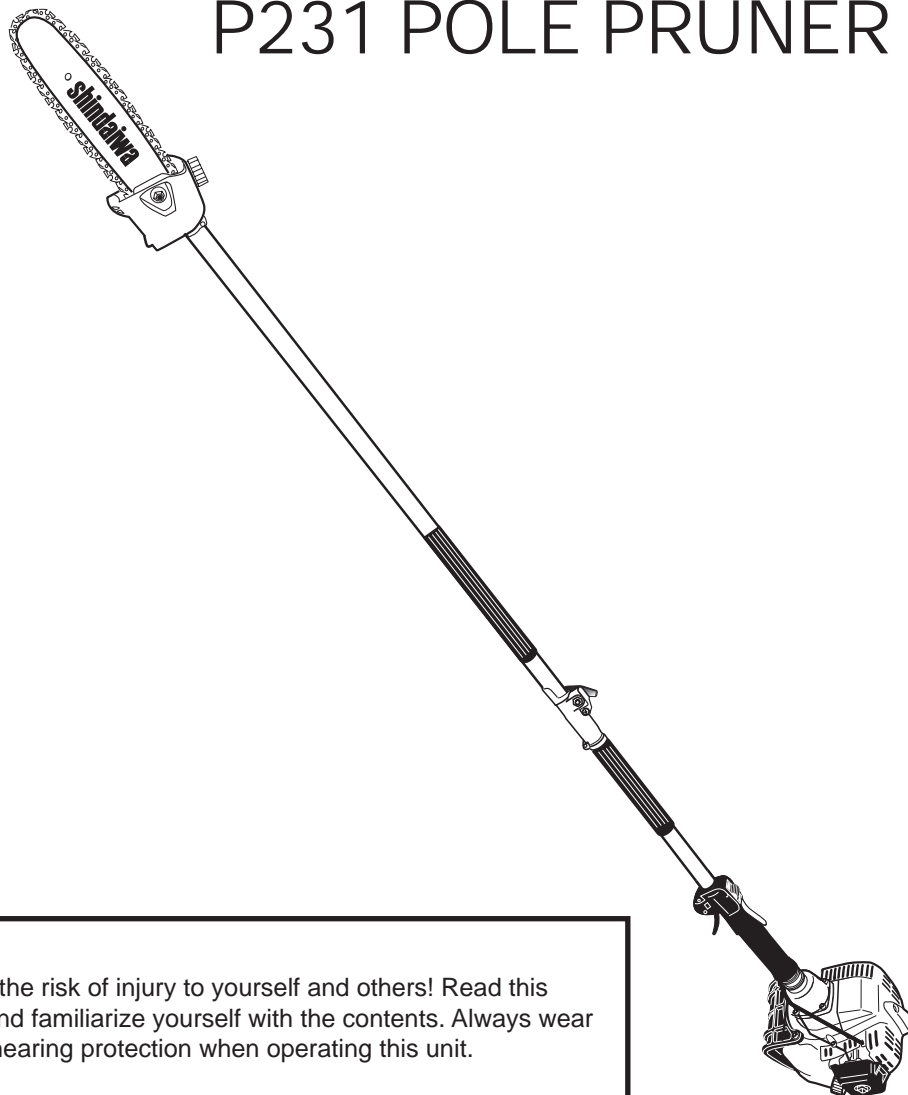


English 1
EspañolSP_1
Français ... FR_1



SHINDAIWA OWNER'S/OPERATOR'S MANUAL

P231 POLE PRUNER



WARNING!

Minimize the risk of injury to yourself and others! Read this manual and familiarize yourself with the contents. Always wear eye and hearing protection when operating this unit.

shindaiwa[®]
Part Number 62888-94013 Rev. 10/07

Introduction

The Shindaiwa P231 Pole Pruner is designed and built to deliver superior performance and reliability without compromise to quality, comfort, safety or durability. Shindaiwa's high-performance engines represent the leading edge of 2-cycle engine technology, delivering exceptionally high power with remarkably low displacement and weight. As an owner/operator, you'll soon discover for yourself why Shindaiwa is simply in a class by itself!

IMPORTANT!

The information contained in these instructions describes units available at the time of publication.

Shindaiwa Inc. reserves the right to make changes to products without prior notice, and without obligation to make alterations to units previously manufactured.

WARNING! The engine exhaust from this product contains chemicals known to the State of California to cause cancer, birth defects or other reproductive harm.

Contents	PAGE
Safety Precautions.....	3
Product Description.....	6
Technical Specifications.....	7
Assembly.....	7
Installing and Adjusting the Bar and Chain.....	9
Chain Oiler.....	10
Mixing Fuel.....	11
Starting the Engine.....	12
Stopping the Engine.....	13
Using the Pole Pruner.....	14
Maintenance.....	15
Long Term Storage.....	16
Troubleshooting Guide.....	18
Warranty.....	21

Attention Statements

Throughout this manual are special "attention statements".

DANGER! A statement preceded by the triangular attention symbol and the word "DANGER" contains information that should be acted upon to prevent serious injury or death.

WARNING! A statement preceded by the triangular attention symbol and the word "WARNING" contains information that should be acted upon to prevent serious bodily injury.

CAUTION! A statement preceded by the word "CAUTION" contains information that should be acted upon to prevent mechanical damage.

IMPORTANT!

A statement preceded by the word "IMPORTANT" is one that possesses special significance.

NOTE:

A statement preceded by the word "NOTE" contains information that is handy to know and may make your job easier.

IMPORTANT!

The procedures described in this manual are intended to help you get the most from your unit as well as to protect you and others from harm. These procedures are guidelines for safe operation under most conditions, and are not intended to replace any safety rules and/or laws that may be in force in your area. If you have questions regarding your power tool, or if you do not understand something in this manual, your Shindaiwa dealer will be glad to assist you. You may also contact Shindaiwa, Inc. at the address printed on the back of this Manual.

Warning labels affixed to the machine are as follows:



Read and follow this manual, make sure anyone using the pruner does likewise. Failure to do so could result in serious personal injury or machine failure. Keep this manual for future reference.



Always wear a hard hat to reduce the risk of head injuries during operation of this machine. In addition, always wear eye and hearing protection. Shindaiwa recommends wearing a face shield as additional face and eye protection.



Wear nonslip heavy-duty work gloves to improve your grip on the pole pruner handle. Wear sturdy footwear with nonslip soles to provide good footing. Steel-toe safety boots are recommended. Wear snug-fitting clothes that also permit freedom of movement.



Never operate this tool or any other power equipment if you are tired, ill, or under the influence of alcohol, drugs, or any substance that could affect your ability or judgement.



Keep bystanders at least 15 meters away from the operating pruner to reduce the risk of being struck by falling objects or thrown debris.



Never operate the pruner at an angle greater than 60° in order to reduce the risk of being struck by falling objects during operation.






Beware of pinching. Pinching the saw along the tip of the guide bar may force the bar back rapidly toward the operator. Pinching can occur whenever wood closes in around the moving chain.



Beware of kickback! Kickback can occur whenever the tip of the guide bar touches an object while the saw is operating. Kickback may force the bar up and back toward the operator!


Safety Precautions

 **DANGER!**  

THE PRUNER IS NOT INSULATED AGAINST ELECTRICAL SHOCK!

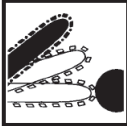
Approaching or contacting electrical line with the pruner could cause death or serious injury. Keep the pruner at least 10 meters away from electrical lines or branches that contact electrical lines.

A pole pruner operates at very high speeds and has the potential to do serious damage if misused, abused or mishandled. To reduce the risk of injury, you must maintain control at all times, and observe all safety precautions during operation. Never permit a person without training or instruction to operate this pruner!

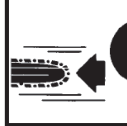
 **WARNING!** Kickback and Pinching

Both kickback and pinching may cause you to lose control of the pole pruner which could result in serious personal injury. Do not rely exclusively on the safety device built into the pruner! You must take several steps to keep your jobs free from accident or injury:

- Understand kickback and pinching! You can reduce or eliminate the element of surprise. Sudden surprise contributes to accidents.
- Cut at high engine speeds.
- Keep a firm grip on the pole pruner with both hands whenever the engine is running. A firm grip will help you reduce the effects of kickback and pinching as well as maintaining control of the unit.
- Make sure the area in which you are cutting is free from obstructions. Do not let the nose of the guide bar contact a log, branch, or any other obstructions which could be hit while you operate the pole pruner.
- Follow the manufacturer's instructions for sharpening and maintaining the chain.
- Use only the replacement bar and chain or equivalent as specified by the manufacturer.

 **Beware of Kickback!**

Kickback can occur whenever the tip of the guide bar touches an object while the saw is operating. Kickback may force the bar up and back toward the operator with lightning-like speed!

 **Beware of pinching.**

Pinching the saw along the tip of the guide bar may force the bar back rapidly toward the operator. Pinching can occur whenever wood closes in around the moving chain.

The Properly Equipped Operator

Always wear a hard hat to reduce the risk of head injuries during operation of this unit.

Wear nonslip heavy-duty work gloves to improve your grip on the pole pruner handle. Wear snug-fitting clothes that also permit freedom of movement. NEVER wear shorts!



Always wear eye and hearing protection. Shindaiwa recommends wearing a face shield as additional face and eye protection.

Never operate the pruner at an angle greater than 60° in order to reduce the risk of being struck by falling objects during operation.

Always operate with both hands firmly gripping the unit.

Keep a proper footing and do not overreach—maintain your balance at all times during operation.

Wear sturdy footwear with nonslip soles to provide good footing. Steel-toed safety boots are recommended. Never operate unit bare-footed!

Keep bystanders at least 15 meters away from the operating pruner to reduce the risk of being struck by falling objects or thrown debris.

Operating Precautions



WARNING! Operating Precautions

- Make sure the chain and sprocket are correctly adjusted before operating the pruner (see page 10 for adjustment procedures). Never attempt chain adjustment with the engine running!
- Always make sure the cutting attachment is properly installed and firmly tightened before operation.
- Never use a cracked or warped guide bar: replace it with a serviceable guide bar and make sure it fits properly.
- If a saw blade should bind fast in a cut, shut off the engine immediately. Push the branch or tree to ease the bind and free the blade.
- Make sure there are no missing or loose fasteners, and that the ignition switch and throttle controls are working properly.
- Before starting the engine, make sure the saw chain is not contacting anything.
- **Operate the saw only in a well ventilated area.** Be aware of carbon monoxide poisoning. Exhaust gases and lubrication oil mist can cause serious injury or death.
- Do not operate the unit with the muffler removed.
- When cutting a limb that is under tension, be alert for springback so that you will not be struck by the moving limb.
- Always stop the engine immediately and check for damage if you strike a foreign object or if the unit becomes tangled. Do not operate with broken or damaged equipment.
- Stop the unit immediately if it suddenly begins to vibrate or shake. Inspect for broken, missing or improperly installed parts or attachments.
- Never transport the unit nor set it down with the engine running. An engine that's running could be accidentally accelerated causing the chain to rotate.
- Make sure the chain cover is in place when transporting and storing the pruner.
- When carrying by hand, the chain should be pointing backward.

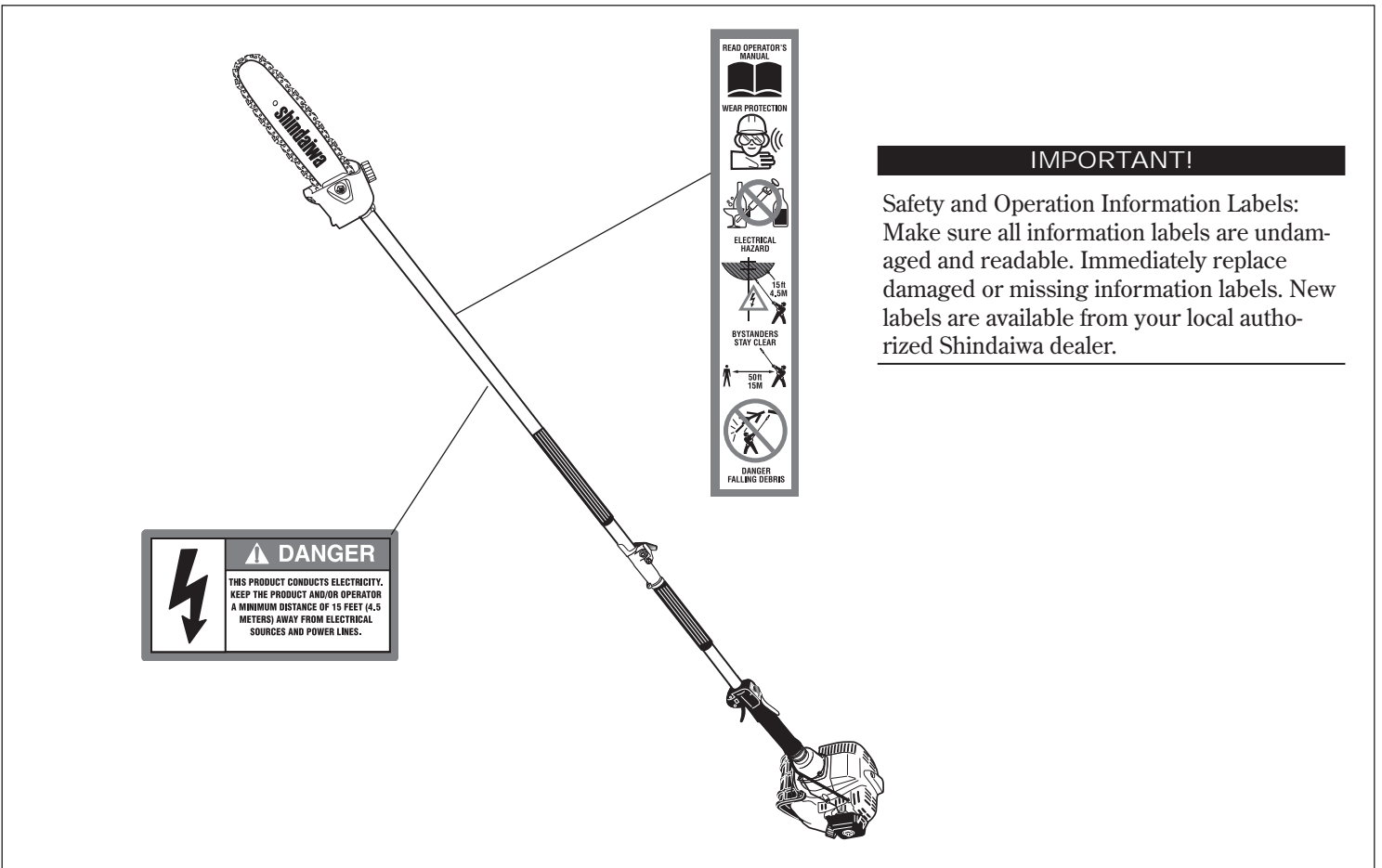
Operating Precautions (continued)



CAUTION!

- Always maintain the P231 pole pruner according to the this owner's manual and follow the recommended scheduled maintenance.
 - Never modify or disable any of the pole pruner's safety devices.
 - Always use genuine Shindaiwa parts and accessories when repairing or maintaining this unit.
- Do not make unauthorized modifications or substitutions to the guide bar or chain.
 - Never allow the engine to run at high RPM without a load. Doing so could damage the engine.
 - When transporting the pruner in a vehicle, tie it down securely to prevent damage and fuel spillage.
- Always clear your work area of trash or hidden debris to help ensure good footing.
 - Keep the saw chain sharp and properly adjusted.
 - Keep the pruner as clean as possible. Keep it free of loose vegetation, mud, etc.

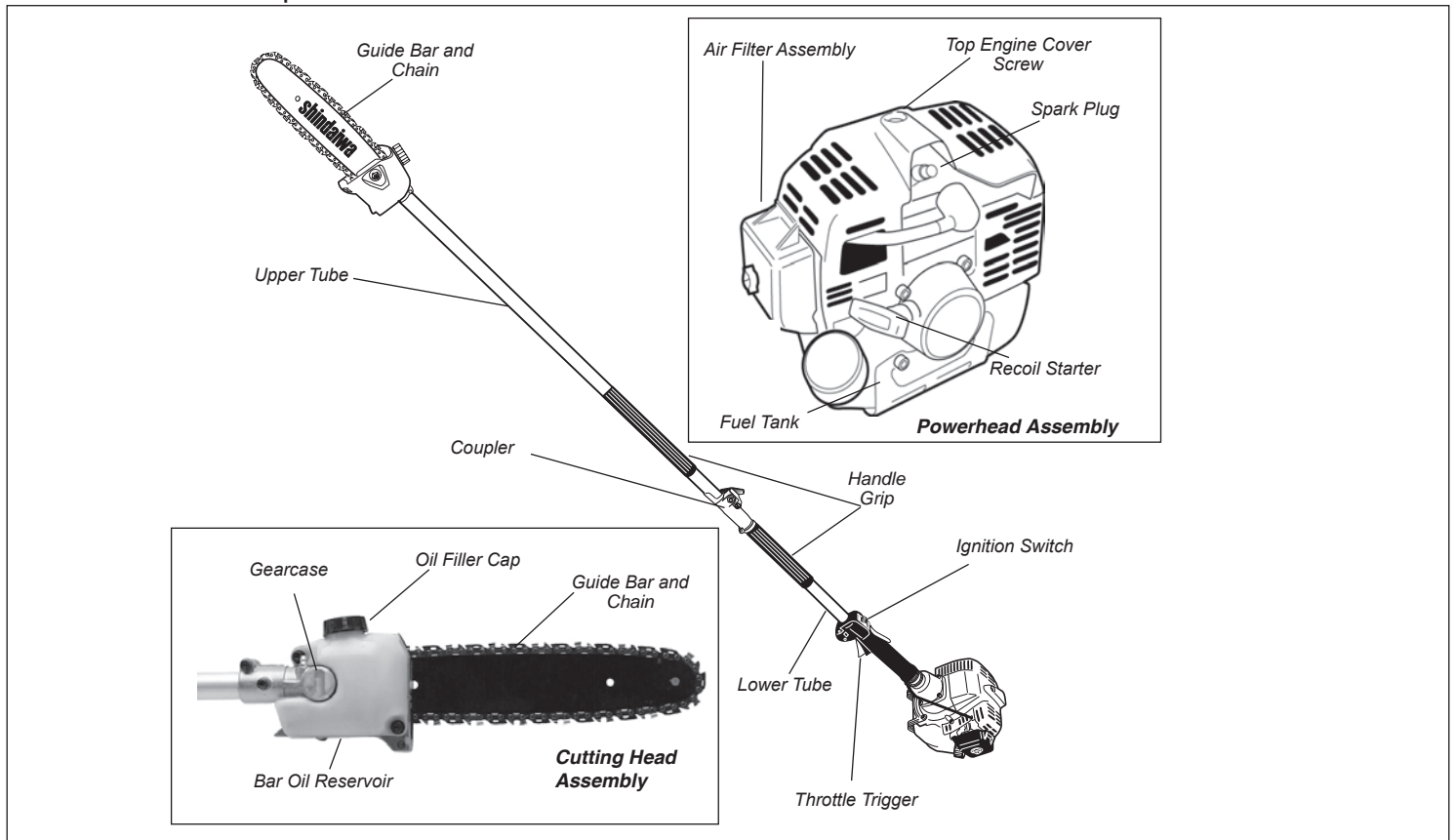
Safety Equipment and Labels



IMPORTANT!

Safety and Operation Information Labels: Make sure all information labels are undamaged and readable. Immediately replace damaged or missing information labels. New labels are available from your local authorized Shindaiwa dealer.

Product Description



Technical Specifications

Dry Weight 6.1 kg/13.4 lb.
 Length w/10" bar assembly 2804 mm/110.4 in.
 Engine Type..... 2-cycle, air-cooled, vertical-cylinder
 Bore x Stroke.....32 x 28 mm/1.3 x 1.1 in.
 Displacement22.5 cc/1.4 cu. in.
 Maximum Output..... 0.8kW/1.1 hp @ 7500 min⁻¹ (rpm)
 Fuel/oil ratio..... 50:1
 Fuel Tank Capacity670 ml/22.7 oz.
 Carburetor Type.....Walbro WYL-122
 IgnitionOne-piece, electronic, transistor-controlled
 Spark Plug..... NGK BMR6A
 Air FilterNon-reversible flocked filter element
 Muffler Type.....2-Stage Catalyst
 Starting Method Recoil
 Cooling System..... Forced air
 Stopping Method..... Slide switch

Transmission Type Automatic, centrifugal clutch with bevel gear
 Chain Guide Bar..... 3/8" pitch, .043" gauge, 10-inch Micro Lite™
 Chain Type..... 3/8" pitch Micro Lite™, .043" gauge
 Sprockets 3/8-inch, fixed spur
 Gearcase Ratio..... 1.06 : 1
 Chain Speed..... 23.5 m (77 ft.)/sec. @ 10,000 min⁻¹ (rpm)
 Chain Lubrication..... Automatic adjustable oiler
 Chain Lubricant..... Shindaiwa Premium Bar and Chain Oil
 Optional Equipment.....Shoulder strap, loop handle
 Optional Bars..... 8-inch or 12-inch
 EPA Emission Compliance Period* Category A

* The EPA emission compliance referred to on the emission compliance label located on the engine, indicates the number of operating hours for which the engine has been shown to meet Federal emission requirements. Category C = 50 hours (Moderate), B = 125 hours (Intermediate) and A = 300 hours (Extended).

Assembly

Prior to assembly

Using Figure above as a guide, familiarize yourself with the Shindaiwa P231 pole pruner and its various components. Understanding your unit helps ensure top performance, longer service life, and safer operation.

Before assembling, make sure you have all the components required for a complete unit:

- Powerhead Assembly
- Lower Tube Assembly
- Upper Tube/Saw Assembly, Chain and Guide Bar
- Chain Cover Tool Kit Containing:
 - Spark Plug Wrench
 - 4mm Hex Wrench
 - 8 x 10mm Spanner

Carefully inspect all components for damage.

IMPORTANT!

The terms “left”, “left-hand”, and “LH”; “right”, “right-hand”, and “RH”; “front” and “rear” refer to directions as viewed by the operator during normal operation.



WARNING!

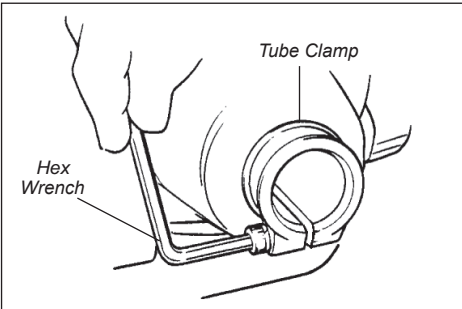
Do not make unauthorized modifications or alterations to your pruner or its components.

Bar and Chain Options

- 8 inch Bar — 90SG-33E Chain
- 10 inch Bar — 90SG-39E Chain
- 12 inch Bar — 90SG-44E Chain

Powerhead Installation

1. Place the powerhead on a clean, flat surface, spark plug facing up.
2. Use the 4mm hex wrench to loosen the tube clamp screw. Verify that the D-shaped shim washer is positioned as shown below.



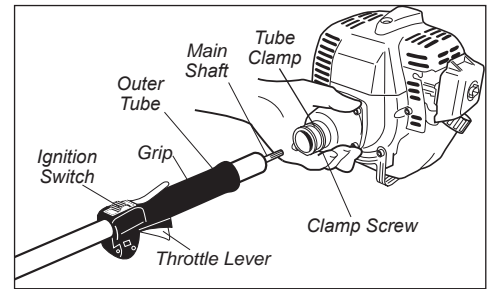
3. Add some moly-type EP grease to splines at the end of the main shaft.

CAUTION!

Do not force the shaft tube into the powerhead! Excessive force can damage the shaft tube and mainshaft.

4. Slide the outer tube into the tube clamp until the tube bottoms. If installation is difficult, rotate the outer tube or main shaft slightly until you feel the mainshaft splines engage with the powerhead. Outer tube needs to be inserted so that the end of the grip hits joint cap.
5. Position the outer tube so that the ignition switch is facing up and the throttle lever is facing down.

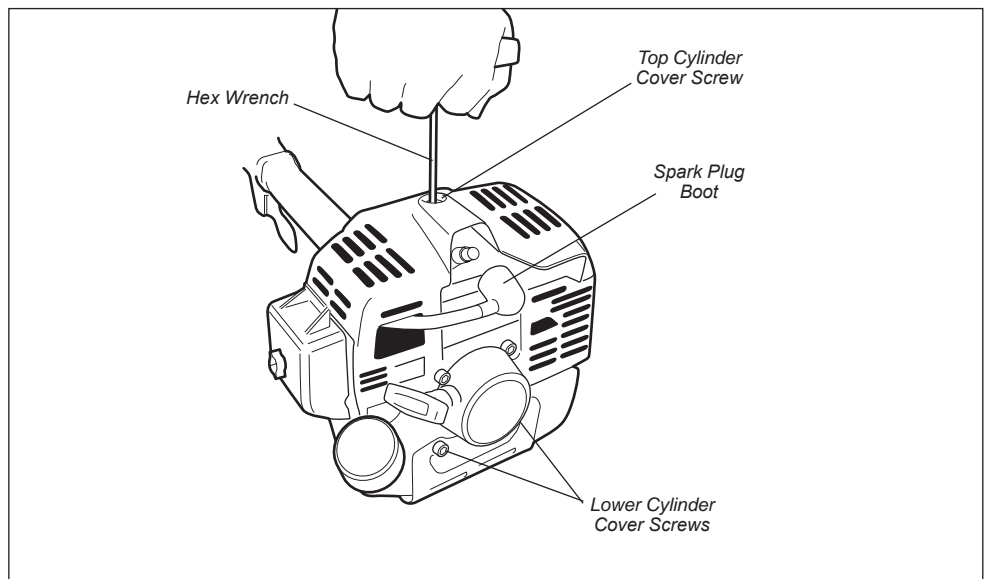
6. Slide the outer tube into the powerhead until the throttle grip just contacts the tube clamp.
7. Tighten the clamp screw firmly.



Connecting the Throttle Cable

Remove The Cylinder Cover

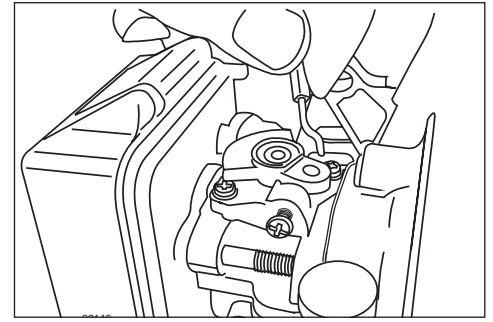
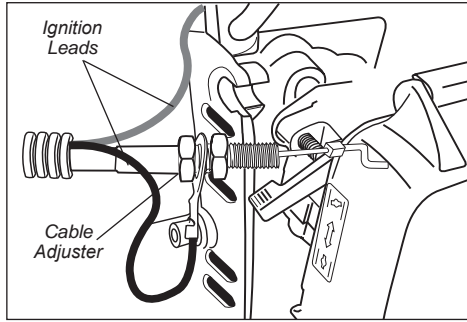
1. Remove the spark plug boot.
2. Remove the two lower cylinder cover screws.
3. Loosen the top cylinder cover screw until the cover is free of the engine. (The top cylinder cover screw is captive). Lift the cylinder cover off of the engine.



Assembly (continued)

Connect The Throttle Cable

1. Loop the ribbed cable tube to the top left side of the engine.
2. Install the black wire between the two cable adjuster nuts as shown.
3. Connect the S-shaped end of the throttle cable to the throttle lever on top of the carburetor.



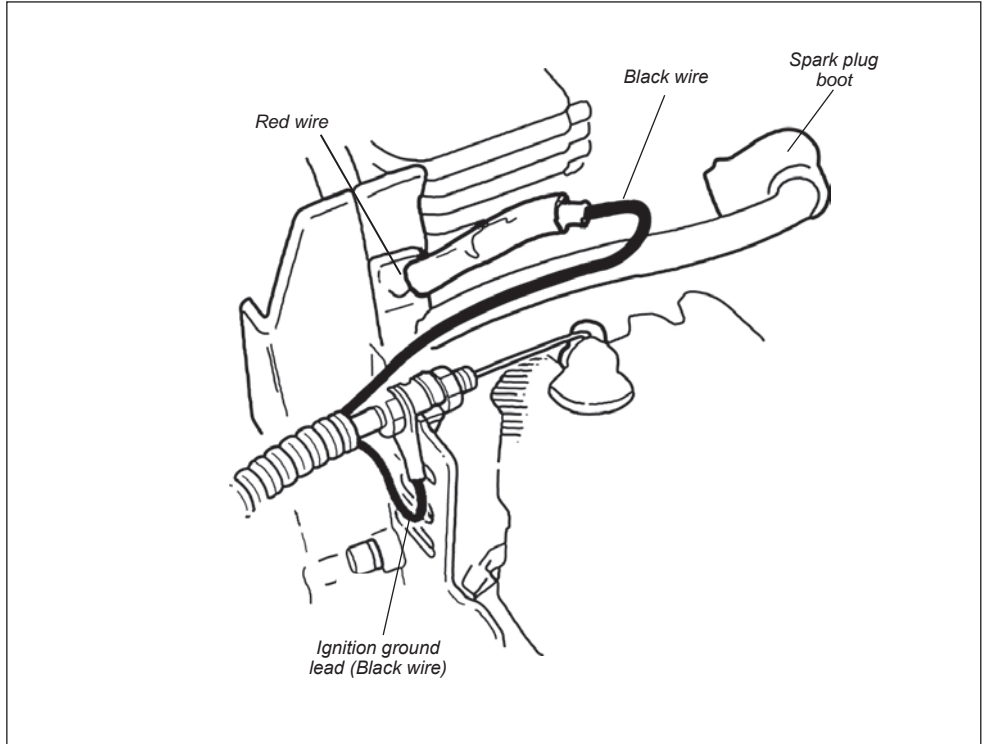
Adjusting the Throttle Cable

1. Insert the throttle cable housing into the notch on the fan cover, and clamp the black wire's connector between the fan cover and the cable outer adjuster nut. See Figure 10.

IMPORTANT!

Adjust and tighten the cable nuts to allow approximately 1/4-inch freeplay at the throttle trigger.

2. Tighten the two throttle cable adjuster nuts.
3. Using finger pressure only, connect the black switch wire from the cable tube to the red ignition wire on the powerhead. Wire routing must be as shown in the illustration with the black wire located over the spark plug wire..
4. Reinstall the cylinder cover and tighten the three cover screws.
5. Reinstall the spark plug boot.



CAUTION!

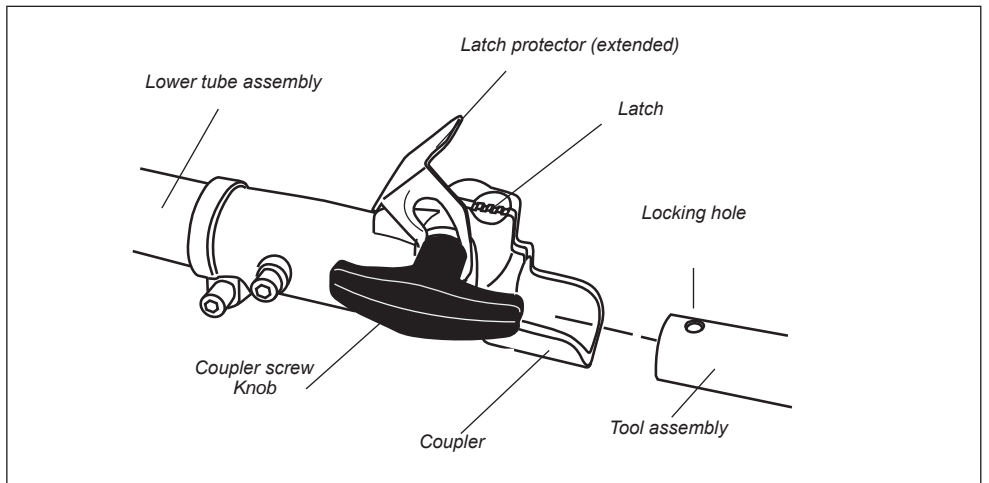
Routing of wiring must not interfere with throttle operation.

Assembling tube sections

1. Place powerhead/lower tube assembly on a clean, flat surface so that both assemblies fit end to end. The powerhead/lower tube assembly should be facing positioned with the locking hole in the tube end facing up.

CAUTION!

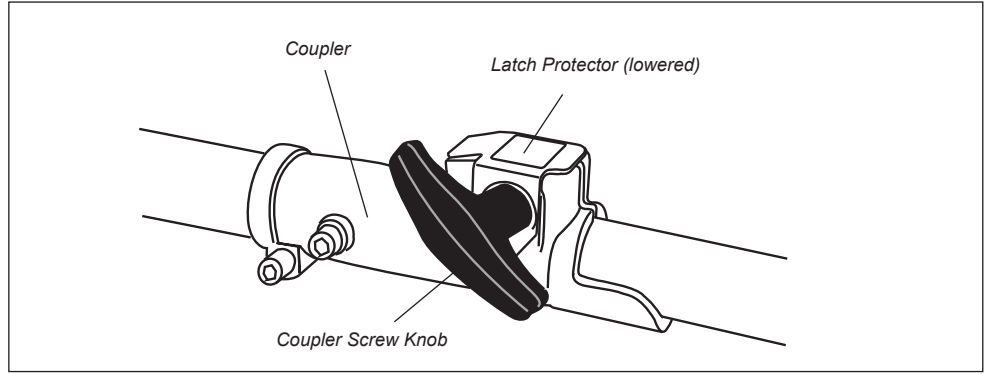
Keep the open ends of the tubes clean and free of debris!



Assembly (continued)

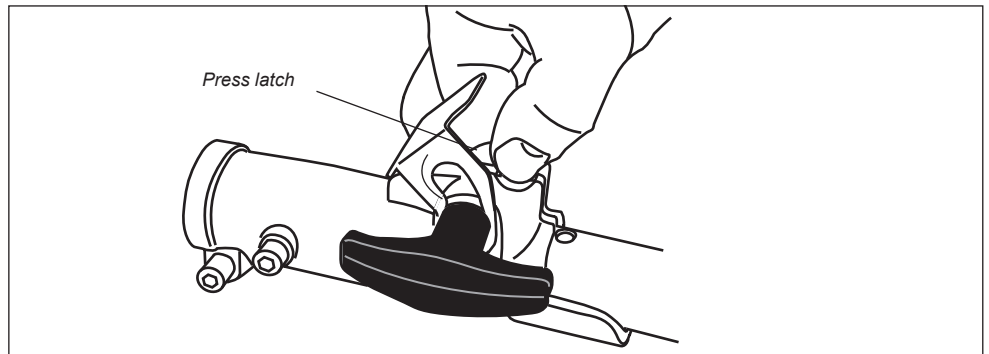
Assembling tube sections (cont.)

- Slip off the protective covers from the ends of both tubes, and loosen the coupler screw knob.
- Insert the tool assembly into the coupler, with the tool decal facing up, until the line of the decal is flush with the end of the coupler.
- Twist the tool assembly back and forth until you are sure it snaps in place by the coupler latch.
- When the two tube halves are locked together, press down on the spring-loaded latch protector and tighten the coupler screw knob.



Disassembling the tube sections

- With the pole pruner on a clean, flat surface, loosen the coupler screw. The spring-loaded coupler protector should pop up.
- Press down on the latch with your finger or thumb. This releases the coupler lock.
- Pull the upper tube assembly out of the coupler.



Installing and Adjusting the Bar and Chain

Installing the Chain



WARNING!

Never attempt to install, replace, or adjust the chain with the engine running.



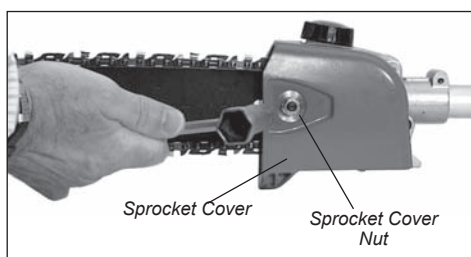
WARNING!

The saw chain is very sharp. Wear gloves to protect your hands when handling.

NOTE:

For longest chain life, let new or replacement chain loops soak in oil overnight before installation.

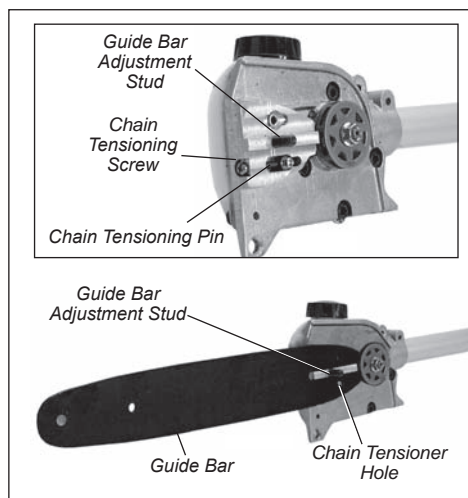
- Using the small end of the plug wrench, remove the sprocket cover nut (turn counter-clockwise to remove) and remove the sprocket cover.



CAUTION!

Failure to align the guide bar and chain tensioning pin can cause serious damage to the sprocket cover, guide bar, chain tensioning pin and cutting head assembly.

- Place the guide bar over the guide bar adjustment stud on the cutting head assembly. Align the chain tensioning pin with the hole in the guide bar.



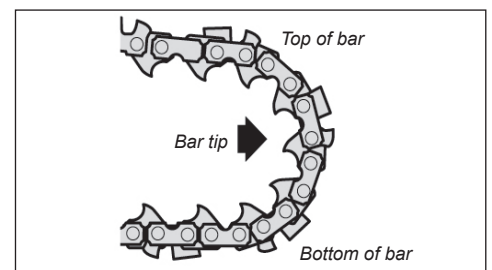
- Install the chain loop over the drive links within the guide bar groove, and then align the chain over the drive sprocket. Verify that the cutters are properly oriented as shown. If chain installation is difficult or if the chain appears too tight, refer to the section "Adjusting the Chain" on the next page.



WARNING!

Never operate the pole pruner without the sprocket cover installed.

- Install the sprocket cover over the bar stud. Using finger-pressure only, install the sprocket cover nut.
- Refer to the next page for chain adjusting procedures.



Adjusting the Chain



WARNING!

Never attempt to install, replace, or adjust the chain with the engine running.



WARNING!

The saw chain is very sharp. Wear gloves to protect your hands when handling.

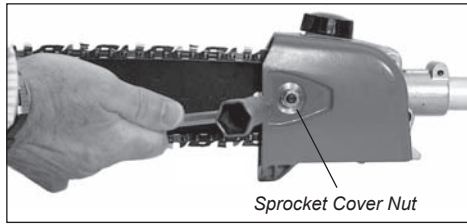
CAUTION!

A loose chain can jump off the guide bar causing damage to the chain and associated equipment. Always make sure the chain is properly adjusted; check more often when you are breaking in a new chain.

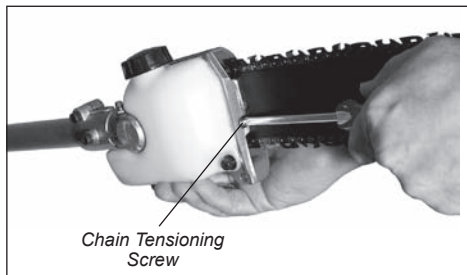
IMPORTANT!

Proper chain adjustment is essential for maximum performance, long chain life, and operator safety. Always inspect chain tension before operating the pole pruner.

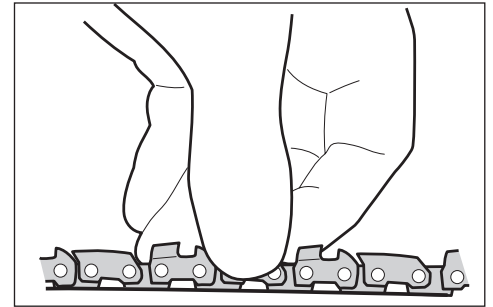
1. Place the pole pruner on a clean, flat surface. (For readjustment during operation, shut down the engine, then allow the guide bar and chain to cool before proceeding with the adjustment procedure).
2. Loosen the sprocket cover nut with a plug wrench.



3. Lift the nose of the guide bar while turning the chain tensioning screw:
 - Clockwise to tighten the chain.
 - Counter-clockwise to loosen the chain.



4. Pull the chain by hand along the top of the guide bar several times from the engine to the bar's tip. The chain should feel snug but still pull freely.
5. Tighten the sprocket cover nut securely while lifting the tip of the guide bar.



6. Inspect the chain for correct adjustment (more frequently with a new chain). The chain should feel snug but still pull freely.

Chain Oiler



WARNING!

Never fill the oil reservoir nor adjust the oiler with the engine running.

IMPORTANT!

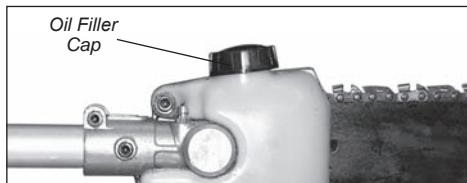
The service life of the chain and guide bar is affected by the quality of the lubricant. Using superior lubricant such as Shindaiwa Bar and Chain Oil will help ensure a long service life. For cold weather operation, mix bar and chain oil with an equal part of kerosene.

Filling the Oil Reservoir

NOTE:

The oil reservoir has a capacity sufficient to provide about 40 minutes of cutting time (when set to deliver the minimum flow rate, or about as long as you'll get from a tank of fuel).

1. Place the pole pruner on a clean, flat surface with the oil filler cap facing up. Wipe off any debris from the oil cap and from around the oil filler neck.
2. Remove the oil filler cap and fill the reservoir with bar and chain oil, then replace the cap.



3. Wipe up spilled oil from the unit before restarting the pole pruner.

Adjusting Oil Flow Rate

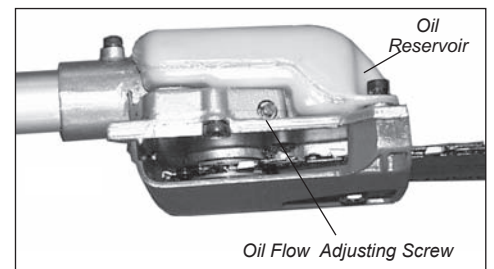
CAUTION!

An increase in bar oil flow rate will speed oil consumption, requiring more frequent checks on the oil reservoir. To ensure sufficient lubrication, it may be necessary to check the oil level more frequently than at fuel tank refills.

The guide bar and chain are lubricated automatically by a pump that operates whenever the chain rotates. The pump is set at the factory to deliver a minimum flow rate, but it can be adjusted in the field. A temporary increase in oil flow is often desirable when cutting materials such as hardwood or wood with a lot of pitch.

Adjust the pump as follows:

1. Stop the engine and make sure the stop switch is in the OFF position.
2. Place the unit on its side with the oil reservoir up.



3. Using a screwdriver, turn the oil flow rate adjustment screw in the desired direction.
 - Clockwise to decrease lubrication.
 - Counter-clockwise to increase lubrication.

Mixing Fuel



WARNING!

Minimize the risk of fire, burns, and personal injury!

- **STOP** engine before refueling.
- **ALWAYS** allow the engine to cool before refueling.
- **ALWAYS** open the fuel cap slowly to allow any pressure build-up in the tank to release fuel vapor slowly.
- **ALWAYS** transport and store fuels in an approved container.
- Avoid overfilling and wipe-up all spilled fuel. Move the engine at least 3 meters from the fueling point, storage area, and other readily flammable materials before restarting.
- **ALWAYS** inspect the unit for fuel leaks before each use. During each refill, make sure there are no fuel leaks around the fuel cap and/or tank. If a fuel leak is evident, stop using the unit immediately. Fuel leaks must be repaired before using the unit.
- **NEVER** smoke or light any fires near the engine or fuel source.
- **NEVER** place any flammable material near the engine or muffler.
- **NEVER** operate the engine without the muffler in good working condition.

CAUTION!

This engine is designed to operate on a 50:1 mixture consisting of unleaded gasoline and a premium 2-cycle mixing oil only. Use of Non-approved mixing oils can lead to excessive maintenance costs and/or engine damage.

IMPORTANT!

Mix only enough fuel for your immediate needs! If fuel must be stored longer than 30-days, it should first be treated with a stabilizer such as STA-BIL™ or equivalent product!

CAUTION!

Never attempt to mix fuel in the unit's fuel tank. Always mix all fuels in a clean approved container.

CAUTION!

Never use any fuel containing more than 10% alcohol by volume! Some gasolines contain alcohol as an oxygenate! Oxygenated fuels may cause increased operating temperatures. Under certain conditions, alcohol-based fuels may also reduce the lubricating qualities of some mixing oils.

Generic oils and some outboard motor oils may not be intended for use in high-performance air cooled 2-cycle engines, and should never be used in your Shindaiwa engine!

- Use only fresh, clean unleaded gasoline with a pump octane rating of 87 or higher.
- Mixing fuel with a Premium 2-cycle mixing oil designed for use with high-performance 2-cycle air-cooled engines.
- Refer to the following examples of 50:1 fuel to oil mix quantities:

Gasoline liters	2-cycle mixing oil milliliters
2.5 - 1	50 ml
5 - 1	100 ml
10 - 1	200 ml
20 - 1	400 ml

Filling the Fuel Tank

IMPORTANT!

Mix only enough fuel for your immediate needs! If fuel must be stored longer than 30-days, it should first be treated with a stabilizer such as STA-BIL™ or equivalent product!

CAUTION!

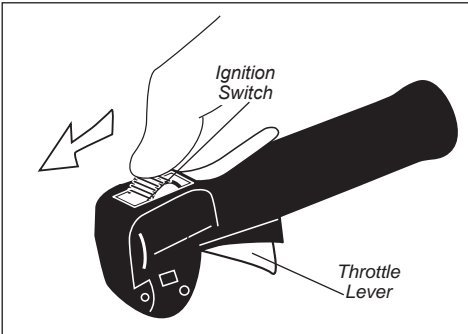
Never attempt to mix fuel in the unit's fuel tank. Always mix all fuels in a clean approved container.

1. Place the unit on a flat, level surface, and wipe any debris from around the fuel cap.
2. Remove the fuel cap.
3. Fill the tank with clean, fresh fuel.
4. Replace the cap, and wipe away any spilled fuel before starting the engine.

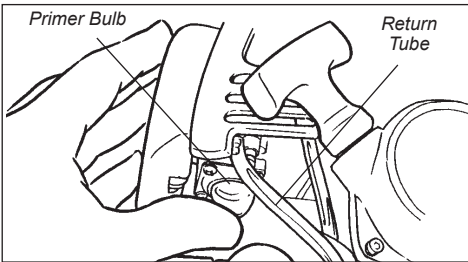
Starting the Engine

IMPORTANT!

Engine ignition is controlled by a two position switch mounted on the throttle housing labeled, "I" for ON or START and "O" for OFF or STOP.



1. Slide the ignition switch to the "ON" position.

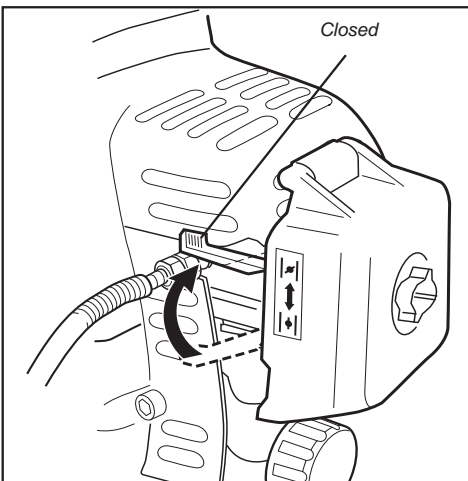


2. Press the primer bulb until fuel can be seen flowing in the transparent return tube.

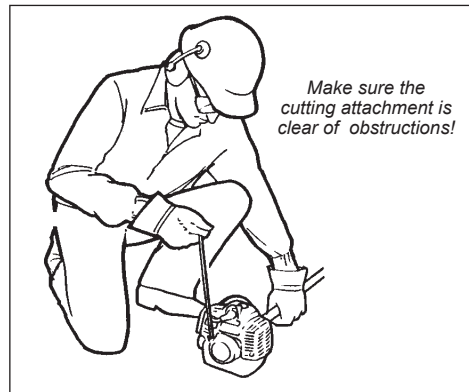
IMPORTANT!

The primer system only pushes fuel through the carburetor. Repeatedly pressing the primer bulb will not flood the engine with fuel.

3. Set the choke lever to the CLOSED position if engine is cold.

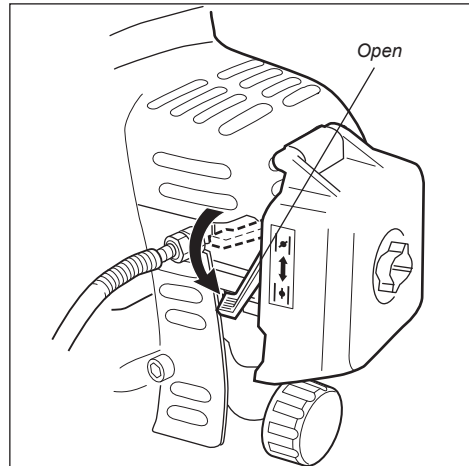


4. While holding the outer tube firmly with one hand, slowly pull the recoil starter handle until resistance is felt, then pull quickly to start the engine.



CAUTION!

Do not pull the recoil starter to the end of the rope travel. Pulling the recoil starter to the end of the rope travel can damage the starter.



5. When the engine starts, slowly move the choke lever to the "OPEN" position. (If the engine stops after the initial start, close the choke and restart.)



WARNING!

The cutting blades may move when the engine is started. Keep away from the cutter assembly while starting the engine.

IMPORTANT!

If the engine fails to start after several attempts with the choke in the closed position, the engine may be flooded with fuel. If flooding is suspected, move the choke lever to the open position and repeatedly pull the recoil starter to remove excess fuel and start the engine. If the engine still fails to start, refer to the troubleshooting section of this manual.



WARNING!

Never start the engine from the operating position.

When the Engine Starts...

- After the engine starts, allow the engine to warm up at idle 2 or 3 minutes before operating the unit.
- After the engine is warm, pick up the unit and clip on the shoulder strap if so equipped.
- Advancing the throttle makes the cutting attachment turn faster; releasing the throttle permits the attachment to stop turning. If the cutting attachment continues to rotate when the engine returns to idle, carburetor idle speed should be adjusted (see "Adjusting The Engine Idle" on the next page).

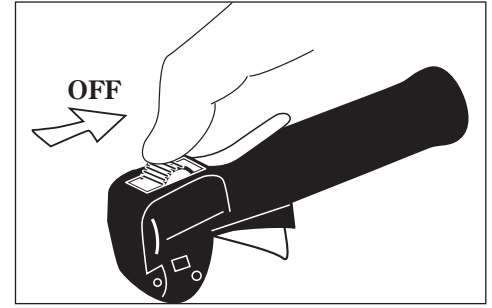
Stopping the Engine



WARNING!

The cutter attachment can continue moving after the engine is stopped!

1. Cool the engine by allowing it to idle for two or three minutes.
2. Slide the ignition switch to the "O" or STOP position.



Adjusting the Engine Idle



WARNING!

The cutter attachment must never rotate at engine idle speed. If the idle speed cannot be adjusted by the procedures described here, return the pruner to your Shindaiwa dealer for inspection.

Check and Adjust Idle Speed

1. Start the engine and allow it to idle two or three minutes, or until it warms up.
2. If the cutter attachment rotates at engine idle, reduce idle speed by turning the idle adjusting screw counter-clockwise as necessary.
3. If the engine is stalling and won't idle, increase idle speed by turning the idle adjustment screw clockwise.

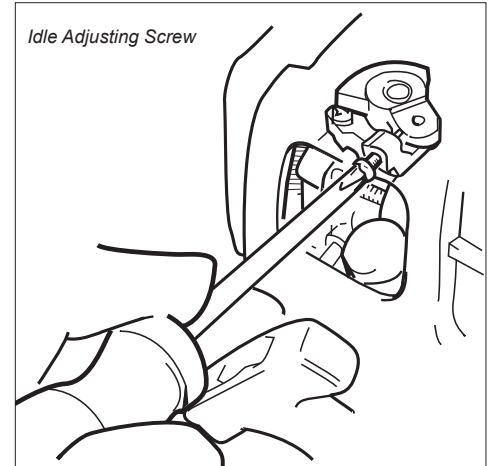
NOTE:

The mixture of the carburetor on this unit cannot be adjusted.

The engine must return to idle speed whenever the throttle trigger is released. Idle speed is adjustable and must be set low enough to permit the engine clutch to disengage the cutter attachment when throttle trigger is released.

IMPORTANT!

Use a tachometer, if one is available, to set engine idle. Standard idle speed is: 2,750 (± 250) min⁻¹.



Using the Pole Pruner

This machine is designed especially for cutting branches.

Never use this machine for any other purpose. Never try to cut stones, metals, plastics, or any other hard objects.

Using for purposes other than cutting branches may damage the machine or cause serious injury.

Preparations

- Wear suitable protective clothing and equipment – see section “Safety Precautions”.
- Choose the best work position for safety against falling objects such as branches.
- Start the engine.
- Put on the strap.

Never stand directly underneath the branch you are cutting – be aware of falling branches. Note that a branch may spring back at you after it hits the ground.

Cutting Sequence:

To allow branches to fall freely, always cut the bottom branches first. Prune heavy branches (large in diameter) in several controllable pieces.

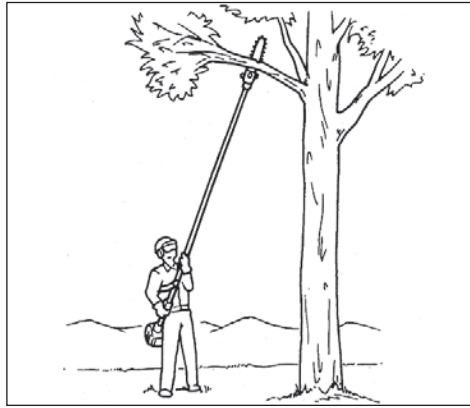
Working Position:

Hold the control handle with your right hand and the shaft with your left hand. Your left arm should be extended to the most comfortable position.

The shaft should always be held at an angle of 60° or less.

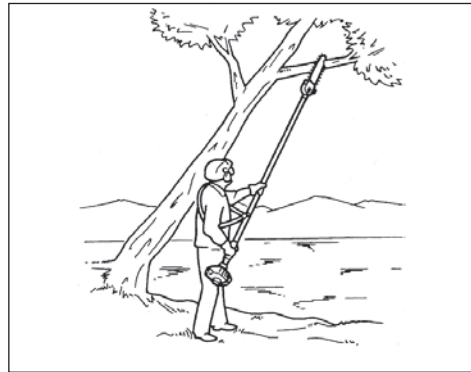
Standard Cut:

The most convenient working position is a tool angle of 60°, but any other angle may be used to suit the situation.



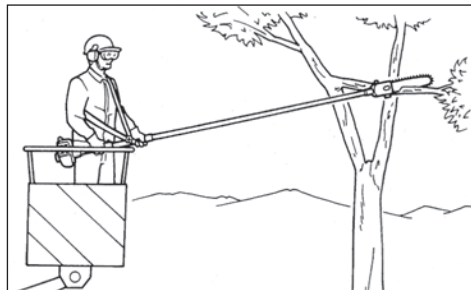
Cutting Above Obstacles:

Thanks to the unit's long reach it is possible to prune branches that are overhanging obstacles such as rivers or lakes. The tool angle in this case depends on the position of the branch.



Cutting On A Work Platform:

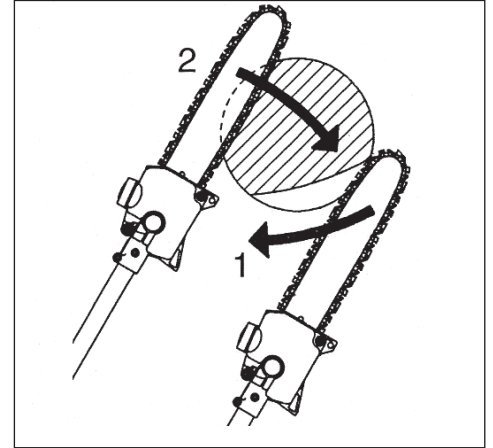
The unit's long reach enables cutting to be performed next to the trunk without the risk of the work platform damaging other branches. Tool angle in this case depends on the position of the branch.



Relieving Cut:

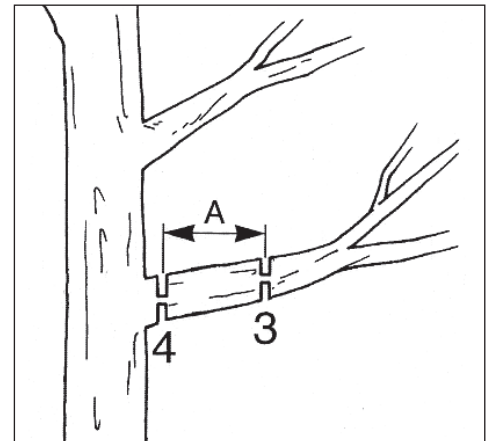
To avoid tearing the bark, kickback or pinching the bar when pruning thick branches, always start by performing a relieving cut (1) on the underside of the branch.

To do this, apply the cutting attachment and pull it across the bottom of the branch as far as the bar nose. Perform the cross-cut (2).



Flush-cutting Thick Branches:

If branch diameter is more than 10 cm, first perform undercut (3) and cross-cut at a distance (A) of about 25 cm from the final cut. Then carry-out the flush-cut (4), starting with a relieving cut and finishing with a cross-cut.



General Maintenance

IMPORTANT!

MAINTENANCE, REPLACEMENT, OR REPAIR OF EMISSION CONTROL DEVICES AND SYSTEM MAY BE PERFORMED BY ANY REPAIR ESTABLISHMENT OR INDIVIDUAL. HOWEVER, WARRANTY REPAIRS MUST BE PERFORMED BY A DEALER OR SERVICE CENTER AUTHORIZED BY SHINDAIWA KOGYO, LTD. AND USE OF PARTS THAT ARE NOT EQUIVALENT IN PERFORMANCE AND DURABILITY TO AUTHORIZED PARTS MAY IMPAIR THE EFFECTIVENESS OF THE EMISSION CONTROL SYSTEM AND MAY HAVE A BEARING ON THE OUTCOME OF THE WARRANTY CLAIM.



WARNING!

Before performing any maintenance, repair, or cleaning work on the unit, make sure the engine and cutting attachment are completely stopped. Disconnect the spark plug wire before performing service or maintenance.



WARNING!

Non-standard accessories, cutting attachment, or replacement parts may not operate properly with your unit and may cause damage and lead to personal injury.

Muffler



WARNING!

Operating the engine without a muffler or with a muffler that is damaged or improperly installed can increase engine noise sufficiently to cause hearing loss.

This unit must never be operated with a faulty or missing muffler. Make sure the muffler is well secured and in good condition. A worn or damaged muffler is a fire hazard and may also cause hearing loss.

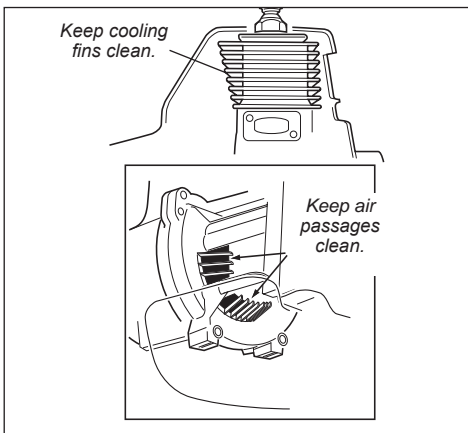
Spark Plug

Keep the spark plug and wire connections tight and clean.

Daily Maintenance

Prior to each work day, perform the following:

- Remove all dirt and debris from the engine, check the cooling fins and air cleaner for clogging, and clean as necessary.



WARNING!

Always wear gloves when working around the cutter assembly.

- Carefully remove any accumulations of dirt or debris from the muffler and fuel tank. Check cooling air intake area at base of crankcase. Remove all debris. Dirt build-up in these areas can lead to engine overheating, fire, or premature wear.
- Clean any debris or dirt from the cutting attachment. Check the bar and chain for damage or incorrect adjustment.
- Check for loose or missing screws or components. Make sure the cutter attachment is securely fastened.

- Check the entire unit for leaking fuel or grease.
- Make sure nuts, bolts, and screws (except carburetor idle speed adjusting screws) are tight.

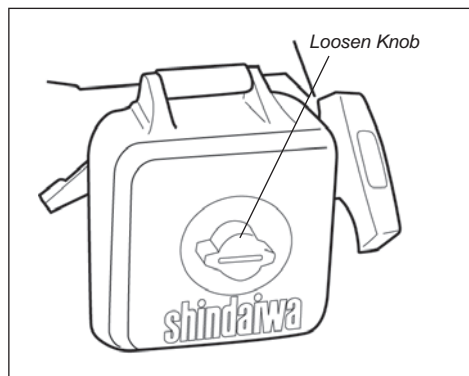
10-Hour Maintenance

Every 10 hours of operation (more frequently in dusty or dirty conditions):

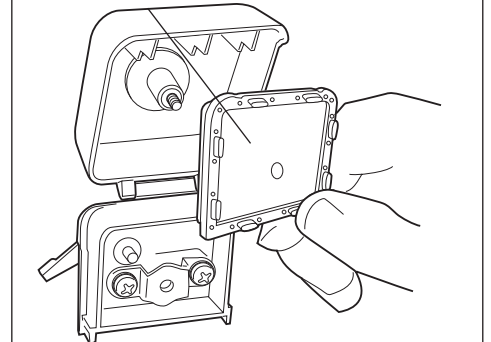
- Remove the air cleaner element from the air cleaner housing and clean it thoroughly with soap and water. Let it dry before reinstalling the element.

CAUTION!

Do not operate the unit if the air cleaner or element is damaged, or if the element is wet.



Remove and clean the element.



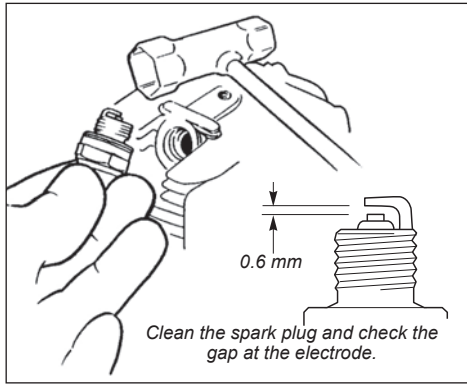
10/15-Hour Maintenance

Every 10 to 15 hours of operation:

- Remove and clean the spark plug. Adjust the spark plug electrode gap to 0.6 mm. If the plug must be replaced, use a NGK BMR6A or equivalent spark plug of the correct heat range.

CAUTION!

Before removing the spark plug, clean the area around the plug to prevent dirt and debris from getting into the engine's internal parts



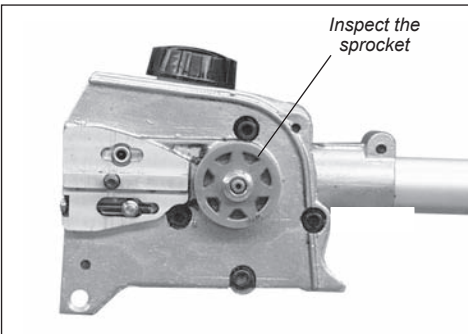
CAUTION!

Incorrect spark plug installation can result in serious engine damage.

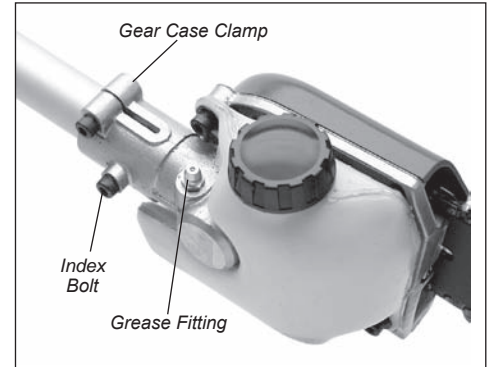
50-Hour Maintenance

Every 50 hours of operation (more frequently in dusty or dirty conditions):

- Remove and clean the cylinder cover and clean dirt and debris from the cylinder cooling fins.
- Remove the sprocket cover and inspect the sprocket for excessive dirt, debris, or wear. Remove the guide bar and clean out the guide bar groove. If the sprocket is excessively worn, replace it with a new one.



- **Lubricate the gear case.** To perform this operation, first remove the gear case from the upper outer tube as follows.
 - Loosen the gear case clamp bolt.
 - Remove the index bolt from the gear case.
 - Slide the gear case out of the tube.
- Using a lever-type grease gun, pump lithium-base grease (about 10 grams) into the grease fitting until you see old grease being purged from the gear case, this can be seen in the outer tube cavity at the input end of the gear case. Clean up excess grease, then reassemble the gear case onto the outer tube.

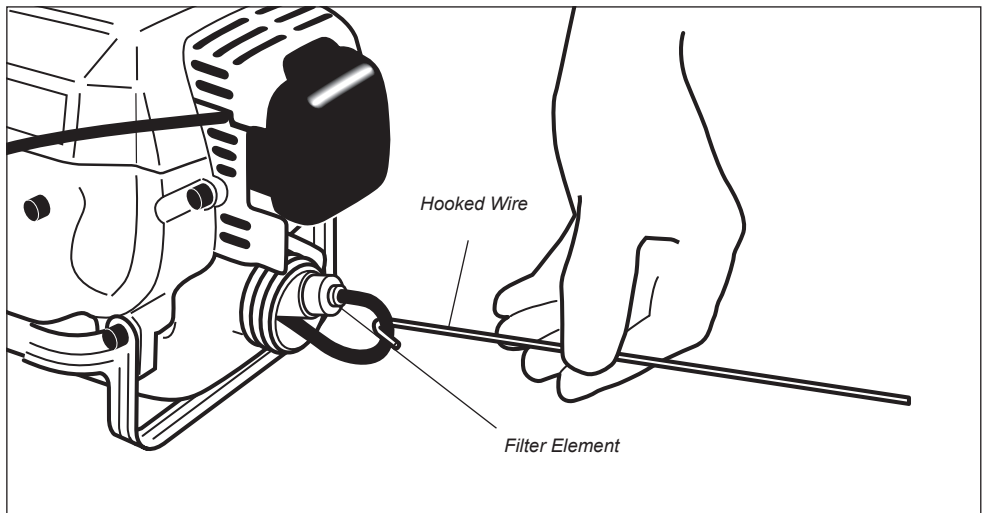


Clean or replace fuel filter

- Use a hooked wire to extract the fuel filter from inside the fuel tank. Inspect the fuel filter element for signs of contamination. Replace it with a new one if required. Before reinstalling the filter, inspect the fuel line. If you find damage or deterioration, remove the unit from service until it can be inspected by a Shindaiwa-trained service technician.

CAUTION!

Make sure you do not pierce the fuel line with the end of the hooked wire. The line is delicate and can be damaged easily.



Maintenance (continued)

Muffler maintenance

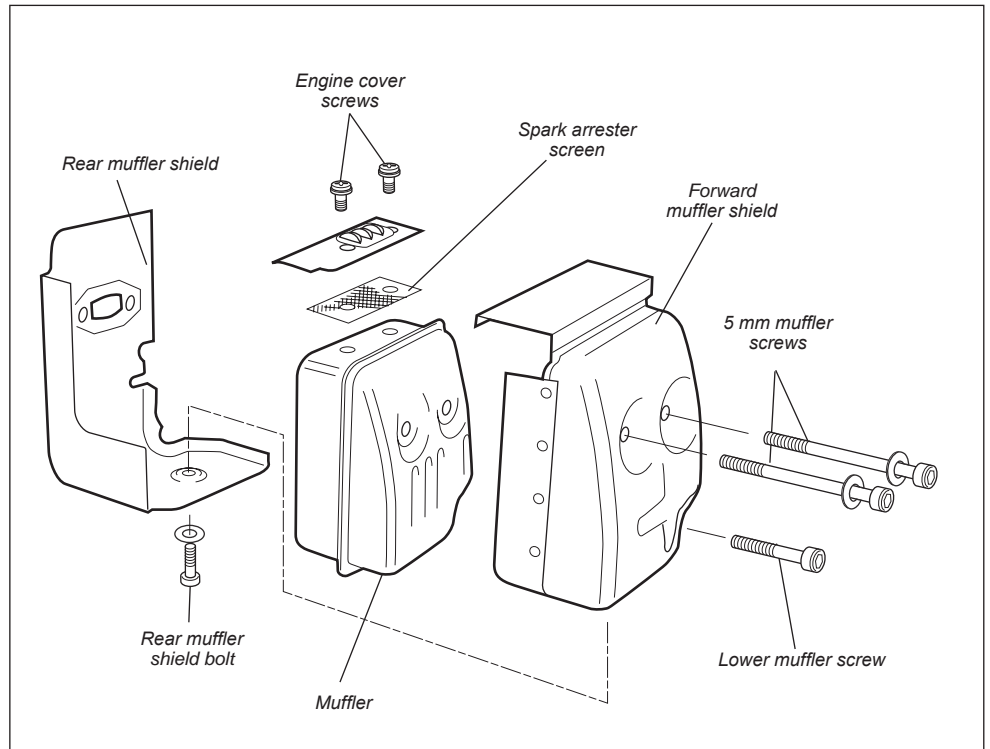
Every 135 hours of operation, remove and clean the muffler.



WARNING!

Never operate the unit with a damaged or missing muffler or spark arrester! Operating with missing or damaged exhaust components is a fire hazard and could also damage your hearing.

1. Remove the spark plug boot.
2. Loosen the two 4 mm engine cover screws (located at the top of the recoil housing).
3. Loosen the 5 mm engine top cover screw (the screw is captive) and lift the cover from the engine.
4. Remove the two 5 mm muffler screws. Remove the lower muffler screw, then lift the muffler assembly from the engine.
5. Remove the rear muffler shield bolt and, while noting the orientation of parts, separate the muffler shield.
6. Remove the spark arrester screen and clean with a stiff bristle brush.



7. Gently tap the muffler on a wood surface to dislodge any loose carbon.
8. Inspect the cylinder exhaust port for carbon buildup.
9. Reassemble the muffler in the reverse order of disassembly.

IMPORTANT!

If you note excessive carbon buildup, consult your servicing dealer.

Long Term Storage

Whenever the unit will not be used for 30 days or longer, use the following procedures to prepare it for storage:

- Clean external parts thoroughly and apply a light coating of oil to all metal surfaces.
- Drain all the fuel from the fuel tank.

IMPORTANT!

All stored fuels should be stabilized with a fuel stabilizer such as STA-BIL™.

To remove the remaining fuel from the fuel lines and carburetor and with the fuel drained from the fuel tank:

1. Prime the primer bulb until no more fuel is passing through.
2. Start and run the engine until stops running.
3. Repeat steps 1 and 2 until the engine will no longer start.

CAUTION!

Gasoline stored in the carburetor for extended periods can cause hard starting, and could also lead to increased service and maintenance costs.

- Remove the spark plug and pour about 10 cm³ (.25 oz.) of 2-cycle mixing oil into the cylinder through the spark plug hole. Slowly pull the recoil starter 2 or 3 times so oil will evenly coat the interior of the engine. Reinstall the spark plug.
- Before storing the unit, repair or replace any worn or damaged parts.
- Remove the air cleaner element from the carburetor and clean it thoroughly with soap and water. Let dry and reassemble the element.
- Store the unit in a clean, dust-free area.

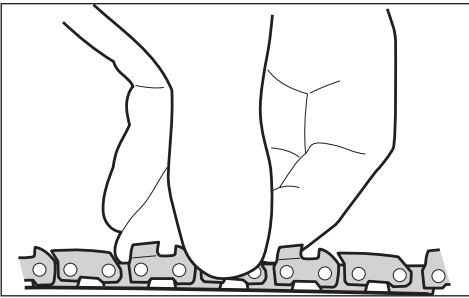
Maintenance (cont.)

Sharpening the Chain

When the cutting edges of the blade become dull, they can be re-sharpened with a few strokes of a file.

In order to keep the blade in balance, all cutting edges must be sharpened equally.

In addition, inspect the chain for correct adjustment (more frequently with a new chain). The chain should feel snug but still pull freely. Refer to the section on "Adjusting the Chain" for adjustment procedures.



IMPORTANT!

File all cutters to the same angle and depth! Unequal filing may cause the saw to vibrate or cut erratically!

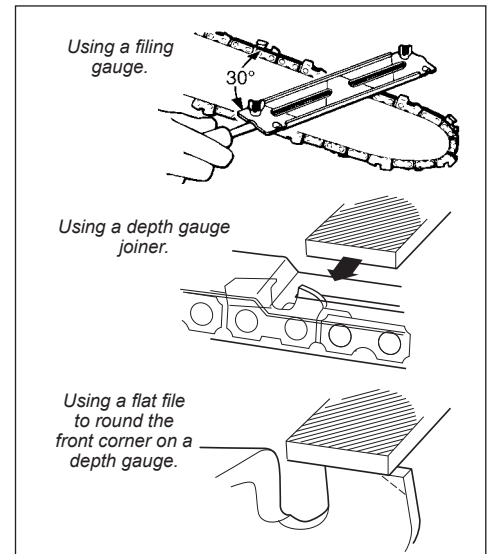
1. Using a 4.5 mm round file, sharpen all cutters to a 30° angle.

NOTE:

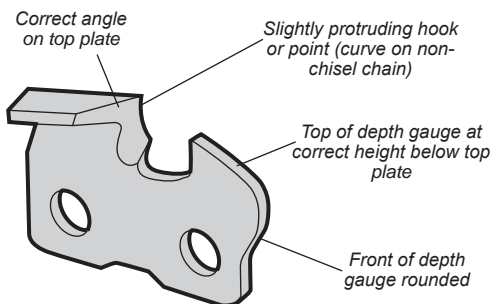
For consistent filing angles, use a filing guide

2. After all cutters are sharpened, use a depth gauge joiner to measure the height of each depth gauge.

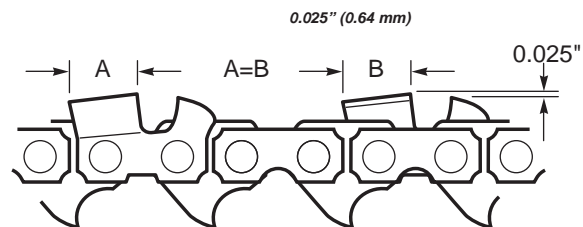
3. As required, lower the depth gauges to a height of 0.6 mm.
4. After all depth gauges have been adjusted, use a flat file to round each depth gauge leading edge to its original curvature and angle.



Correct Filing Technique



All cutting edges must be sharpened equally



Filing Problems

<p>Top plate angle less than recommended</p> <p>Cause File held at less than recommended angle.</p> <p>Result Slow cutting. Requires extra effort to cut.</p> <p>Remedy File cutters to recommended angle.</p>	<p>Top plate angle more than recommended</p> <p>Cause File held at more than recommended angle.</p> <p>Result Cutting angle is very sharp but will dull fast. Cutting action rough and erratic.</p> <p>Remedy File cutters to recommended angle.</p>	<p>High depth gauge</p> <p>Cause Depth gauge never filed.</p> <p>Result Slow cutting. Must force chain to cut. Will cause excessive wear on the cutter heel.</p> <p>Remedy Lower gauges to recommended setting.</p>
<p>Hook in side plate cutting edge</p> <p>Cause File held too low or the file was too small.</p> <p>Result Rough cutting. Chain grabs. Cutters dull quickly or won't hold a cutting edge.</p> <p>Remedy Check file size. File cutters to recommended angle.</p>	<p>Backslope on side plate cutting edge</p> <p>Cause File held too high or the file was too large.</p> <p>Result Cutters won't feed into wood. Slow cutting. Must force chain to cut. Causes excessive bottom wear.</p> <p>Remedy File cutters at recommended angle. Check file size.</p>	<p>Low depth gauge</p> <p>Cause Wrong gauge setting or no gauge used.</p> <p>Result Rough cutting. Chain grabs. Saw won't pull chain through wood. Excessive wear on the cutter heel.</p> <p>Remedy If depth gauges are too low, the chain is no longer serviceable.</p>

Troubleshooting Guide (continued)

ENGINE DOES NOT START

What To Check	Possible Cause	Remedy
Does the engine crank? YES ↓	NO → Faulty recoil starter. Fluid in the crankcase. Internal damage.	Consult with an authorized servicing dealer.
Good compression? YES ↓	NO → Loose spark plug. Excess wear on cylinder, piston, rings.	Tighten and re-test. Consult with an authorized servicing dealer.
Does the tank contain fresh fuel of the proper grade? YES ↓	NO → Fuel incorrect, stale, or contaminated; mixture incorrect.	Refill with fresh, clean unleaded gasoline with a pump octane of 87 or higher mixed with 50:1 Shindaiwa Premium 2-cycle mixing oil or with an equivalent high quality 2-cycle mixing oil.
Is fuel visible and moving in the return line when priming? YES ↓	NO → Check for clogged fuel filter and/or vent.	Replace fuel filter or vent as required. Restart.
Is there spark at the spark plug wire terminal? YES ↓	NO → The ignition switch is in "O" (OFF) position. Shorted ignition ground. Faulty ignition unit.	Move switch to "I" (ON) position and restart. Consult with an authorized servicing dealer.
Check the spark plug.	If the plug is wet, excess fuel may be in the cylinder. The plug is fouled or improperly gapped. The plug is damaged internally or of the wrong size.	Crank the engine with the plug removed, reinstall the plug, and restart. Clean and regap the plug to 0.6mm-0.7mm. Restart. Replace the plug. See "Specifications" for the correct plug for your unit. Restart.

LOW POWER OUTPUT

What To Check	Possible Cause	Remedy
Is the engine overheating?	Operator is overworking the unit. Carburetor mixture is too lean. Improper fuel ratio. Fan, fan cover, cylinder fins dirty or damaged. Carbon deposits on the piston or in the muffler.	Cut at a slower rate. Consult with an authorized servicing dealer. Refill with fresh, clean unleaded gasoline with a pump octane of 87 or higher mixed with 50:1 Shindaiwa Premium 2-cycle mixing oil or with an equivalent high quality 2-cycle mixing oil. Clean, repair or replace as necessary. Consult with an authorized servicing dealer.
Engine is rough at all speeds. May also have black smoke and/or unburned fuel at the exhaust.	Clogged air cleaner element. Loose or damaged spark plug. Air leakage or clogged fuel line. Water in the fuel. Piston seizure. Faulty carburetor and/or diaphragm.	Clean or replace the air filter. Tighten or replace the plug. See "Specifications" for the correct plug for your unit. Restart. Repair or replace fuel filter and/or fuel line. Refill with fresh fuel/oil mixture. Consult with an authorized servicing dealer.
Engine is knocking.	Overheating condition Improper fuel Carbon deposits in the combustion chamber.	See above. Check fuel octane rating; check for presence of alcohol in the fuel. Refuel as necessary. Consult with an authorized servicing dealer.

Symptom	Possible Cause	Remedy
Poor acceleration.	<ul style="list-style-type: none"> Clogged air filter. Clogged fuel filter. Chain brake engaged. Lean fuel/air mixture. Idle speed set too low. 	<ul style="list-style-type: none"> Clean or replace the air filter. Replace the fuel filter. Inspect and/or test brake. Consult with an authorized servicing dealer. Consult with an authorized servicing dealer. Adjust: 2,750(±250) min⁻¹.
Engine stops abruptly.	<ul style="list-style-type: none"> Switch turned off. Fuel tank empty. Clogged fuel filter. Water in the fuel. Shorted spark plug or loose terminal. Ignition failure. Piston seizure. 	<ul style="list-style-type: none"> Reset the switch and restart. Refuel. See section on “Filling the Tank with Fuel”. Replace fuel filter. Drain; replace with clean fuel. See section on “Filling the Tank with Fuel”. Clean or replace spark plug. See “Specifications” for the correct plug for your unit. Tighten the terminal. Replace the ignition unit. Consult with an authorized servicing dealer.
Engine difficult to shut off.	<ul style="list-style-type: none"> Ground (stop) wire is disconnected, or switch is defective. Overheating due to incorrect spark plug. Overheated engine 	<ul style="list-style-type: none"> Test and replace as required. Replace spark plug. See “Specifications” for the correct plug for your unit. Idle engine until cool.
Chain rotates at idle speed.	<ul style="list-style-type: none"> Engine idle too high. 	<ul style="list-style-type: none"> Replace spring/shoes as required, check idle speed. Set idle: 2,750(±250) min⁻¹
Excessive vibration.	<ul style="list-style-type: none"> Broken clutch spring or worn clutch spring boss Warped or damaged sprocket, chain, or bar. Bent crankshaft. 	<ul style="list-style-type: none"> Inspect and replace chain components as required. Consult with an authorized servicing dealer.

Shindaiwa Corporation
Federal Emission Design And Defect Limited Warranty
Utility And Lawn And Garden Engines

Shindaiwa Corporation warrants to the initial purchaser and each subsequent owner, that this utility equipment engine (herein engine) is designed, built and equipped to conform at the time of initial sale, to all applicable regulations of the U.S. Environmental Protection Agency (EPA), and that the engine is free of defects in materials and workmanship that would cause this engine to fail to conform with EPA regulations during its warranty period. This emission warranty is applicable in all States, except the State of California. For parts listed under PARTS COVERED, the dealer authorized by Shindaiwa Corporation will, at no cost to you, make the necessary diagnosis, repair, or replacement of any defective emission-related component to ensure that the engine complies with applicable U.S. EPA regulations.

MANUFACTURERS WARRANTY COVERAGE

When sold within the U.S., this engine's emission control system is warranted for a period of two (2) years from the date this product is first delivered to the original retail purchaser.

OWNER'S WARRANTY RESPONSIBILITIES

As the engine owner, you are responsible for the performance of the required maintenance listed in your owner's manual. Shindaiwa Corporation recommends that you retain all receipts covering maintenance on your engine, but Shindaiwa Corporation cannot deny a warranty claim solely for the lack of receipts or for your failure to ensure the performance of all scheduled maintenance.

As the engine owner, you should however be aware that Shindaiwa Corporation may deny your warranty coverage if your engine or a part has failed due to abuse, neglect, improper maintenance or unapproved modifications.

You are responsible for presenting your engine to the nearest dealer authorized by Shindaiwa Corporation when a problem exists.

If your Shindaiwa Dealer is unable to answer questions regarding your warranty rights and responsibilities, you should then contact your Shindaiwa Distributor.

For the name and telephone number of the Shindaiwa Distributor in your area, please call Shindaiwa Inc. at (503) 692-3070 between the hours of 8:00 AM and 5:00 PM Pacific Standard Time.

PARTS COVERED

Listed below are the parts covered by the Federal Emission Design and Defect Warranty. Some parts listed below may require scheduled maintenance and are warranted up to the first scheduled replacement of that part. The warranted parts include:

1. Carburetor Internal Components
 - Valve Assembly-throttle, Jet, Metering Diaphragm
2. Ignition System Components
 - Ignition Coil
 - Flywheel Rotor

The emission control system for your particular Shindaiwa engine may also include certain related hoses and connectors.

LIMITATIONS

The Federal Emission Design and Defect Warranty shall not cover any of the following:

- (a) conditions resulting from tampering, misuse, improper adjustment (unless they were made by the dealer or service center authorized by Shindaiwa Corporation during a warranty repair), alteration, accident, failure to use the recommended fuel and oil, or not performing required maintenance services,
- (b) the replacement parts used for required maintenance services,
- (c) consequential parts used for required maintenance services,
- (d) diagnosis and inspection fees that do not result in eligible warranty service being performed, and
- (e) any non-authorized replacement part, or malfunction of authorized parts due to use of non-authorized parts.

MAINTENANCE AND REPAIR REQUIREMENTS

You are responsible for the proper use and maintenance of the engine. You should keep all receipts and maintenance records covering the performance of regular maintenance in the event questions arise. These receipts and maintenance records should be transferred to each subsequent owner of the engine. Shindaiwa Corporation reserves the right to deny warranty coverage if the owner has not properly maintained the engine. Shindaiwa Corporation will not deny warranty repairs, however, solely because of the lack of repair, maintenance or failure to keep maintenance records.

MAINTENANCE, REPLACEMENT OR REPAIR OF EMISSION CONTROL DEVICES AND SYSTEMS MAY BE PERFORMED BY ANY REPAIR ESTABLISHMENT OR INDIVIDUAL; HOWEVER, WARRANTY REPAIRS MUST BE PERFORMED BY A DEALER OR SERVICE CENTER AUTHORIZED BY SHINDAIWA CORPORATION THE USE OF PARTS THAT ARE NOT EQUIVALENT IN PERFORMANCE AND DURABILITY TO AUTHORIZED PARTS MAY IMPAIR THE EFFECTIVENESS OF THE EMISSION CONTROL SYSTEM AND MAY HAVE A BEARING ON THE OUTCOME OF A WARRANTY CLAIM.

If other than the parts authorized by Shindaiwa Corporation are used for maintenance replacements or for the repair of components affecting emission control, you should assure yourself that such parts are warranted by their manufacturer to be equivalent to the parts authorized by Shindaiwa Corporation in their performance and durability.

OBTAINING WARRANTY SERVICE

All repairs qualifying under this limited warranty must be performed by a dealer authorized by Shindaiwa Corporation

If any emission-related part is found defective during the warranty period, it is your responsibility to present the product to an authorized Shindaiwa dealer. Bring your sales receipts showing the date of purchase for this engine. The dealer authorized by Shindaiwa Corporation will perform the necessary repairs or adjustments within a reasonable amount of time and furnish you with a copy of the repair order. All parts and accessories replaced under this warranty become the property of Shindaiwa Corporation

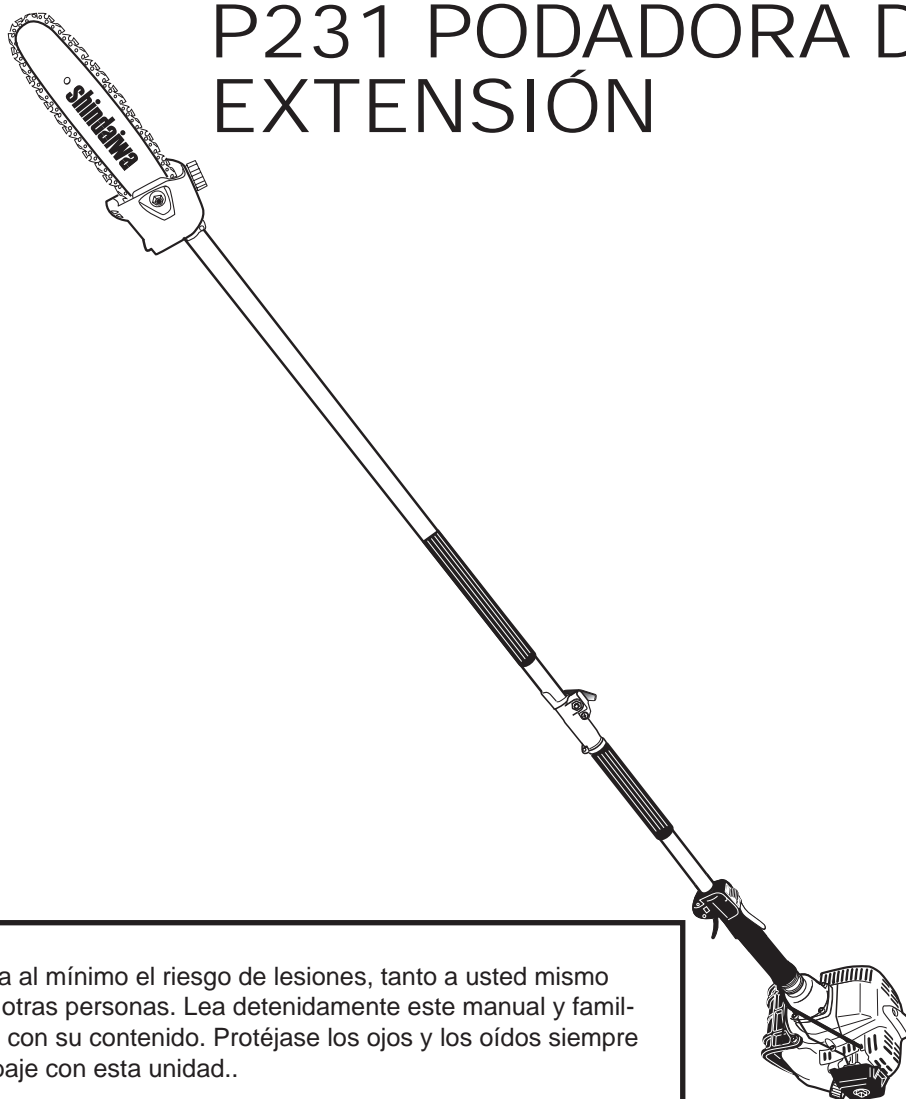
To locate an authorized Shindaiwa dealer near you, contact your Shindaiwa Distributor. For the name and telephone number of the Shindaiwa Distributor in your area, please call Shindaiwa Inc. at (503) 692-3070 between the hours of 8:00 AM and 5:00 PM Pacific Standard Time.

THIS WARRANTY IS ADMINISTERED BY

Shindaiwa Inc.
11975 S.W. Herman Rd.
Tualatin OR. 97062
(503) 692-3070

MANUAL DEL PROPIETARIO / OPERADOR SHINDAIWA

P231 PODADORA DE EXTENSIÓN



¡ADVERTENCIA!

Reduzca al mínimo el riesgo de lesiones, tanto a usted mismo como a otras personas. Lea detenidamente este manual y familiarícese con su contenido. Protéjase los ojos y los oídos siempre que trabaje con esta unidad..

shindaiwa®

Part Number 62888-94013 Rev. 10/07

Introducción

La Serie 231 Podadora de Extensión Shindaiwa ha sido diseñada y construida para suministrar un rendimiento superior sin comprometer calidad, comodidad ni durabilidad. Los motores Shindaiwa representan la tecnología líder de motores de alto rendimiento, con excepcional alta potencia de peso y cilindrada sumamente bajos. Como propietario/operario, usted no tardará en comprobar que Shindaiwa es la única máquina en esta clase!

¡IMPORTANTE!

La información contenida en este manual del propietario/operario describe la Porta Herramienta Multiple M230 disponibles a la fecha de su publicación.

Shindaiwa Inc. se reserva el derecho de realizar cambios a sus productos sin previo aviso, y sin la obligación de hacer modificaciones a máquinas fabricadas previamente.



¡ADVERTENCIA!

Las emisiones liberadas por el escape del motor de este producto contienen sustancias químicas que, en el estado de California, son consideradas como causantes de cáncer, defectos congénitos u otros efectos nocivos para la reproducción.

Índice

PAGINA

Declaraciones de seguridad	SP_2
Descripción del producto	SP_6
Especificaciones	SP_6
Ensamblar	SP_7
Instalación y ajuste de la barra y la cadena de la sierra...	SP_9
Ajuste la cadena.....	SP_10
Bomba de aceite	SP_10
Mezcla de combustible.....	SP_11
Llenando el tanque de combustible.....	SP_11
Arranque del motor	SP_12
Parada del motor	SP_13
El uso de la podadora de extensión	SP_14
Mantenimiento	SP_15
Almacenamiento de largo plazo.....	SP_17
Guía de localización de fallas	SP_19
Garantía limitada	SP_21

Declaraciones de seguridad

A través de este manual se encuentran “declaraciones de seguridad” especiales..



¡ADVERTENCIA!

Toda información precedida por un símbolo triangular de advertencia y la palabra ADVERTENCIA! contiene información o procedimientos que se deben cumplir para evitar lesiones.

¡PRECAUCIÓN!

Toda información precedida por la palabra PRECAUCION! contiene información que se debe cumplir para evitar daños mecánicos.

¡IMPORTANTE!

Toda información precedida por la palabra “IMPORTANTE” contiene información especial y significativo.

NOTA:

Toda información precedida por la palabra “NOTA” contiene información útil que puede hacer su trabajo más fácil.

¡IMPORTANTE!

El propósito de los procedimientos operacionales descritos en este manual es ayudarle a obtener el más alto rendimiento de su máquina y proteger a usted y a otras personas de sufrir lesiones. Estos procedimientos son pautas operativas para una operación segura bajo la mayoría de condiciones y no tienen el propósito de substituir las normas y/o leyes vigentes en su área. Si tiene alguna pregunta relacionada con su Serie 2510 o si no entiende alguna información contenida en este manual, consulte a su distribuidor Shindaiwa, quien le atenderá con gusto. También puede comunicarse con Shindaiwa Inc. a la dirección que aparece en la contra portada de este manual.

Las etiquetas seguridad puestas a la máquina son como sigue:



Lea y siga el manual, asegúrese de que quien use esta podadora también lo lea. En caso de no leerlo y usar la podadora apropiadamente puede causarle serias lesiones tanto a usted como a la máquina. Guarde el manual para futuras consultas.



Siempre utilice un casco para reducir el riesgo de lesiones en la cabeza al momento de utilizar la máquina. También utilice siempre lentes de protección así como protector para los oídos. Shindaiwa recomienda que utilicen un protector para la cara como medida de protección adicional.



Utilice guantes para trabajo que sean antiresbalantes. Botas de seguridad o botas de trabajo antideslizantes también deben de ser usadas. Se recomienda utilizar botas de seguridad con puntera de acero. Lleve ropa ajustada, pero que también deje libertad de movimientos.



Nunca opere ninguna maquinaria motorizada si está cansado o si está bajo la influencia de alcohol, drogas o medicamentos o cualquier otra sustancia que pueda afectar su habilidad y juicio.



La gente debe permanecer a 15 metros de la máquina cuando esta en operación, esto para reducir el riesgo de ser golpeado por objetos que están siendo cortados.



Nunca operar la podadora de extensión en un ángulo de más de 60°, para poder así reducir el riesgo de caerse mientras la máquina se encuentra en operación.



Apretar la sierra contra la parte superior de la barra puede forzar la barra a que se dirija rápidamente hacia el usuario. Se puede producir el apriete si una madera se cierra alrededor de la cadena en movimiento.



¡Tenga cuidado con el contragolpe! Se puede producir un contragolpe cada vez que el extremo de la barra toca un objeto mientras se está operando la motosierra. Un contragolpe puede forzar la barra hacia arriba y hacia atrás, en dirección del usuario, ¡con una reacción rápida como un rayo!

Instrucciones generales de seguridad


 ¡PELIGRO! 

ESTE CORTASETOS ARTICULADO NO POSEE AISLAMIENTO CONTRA DESCARGAS ELÉCTRICAS.

Acercarse o tocar una línea eléctrica con el cortasetos puede provocar lesiones graves o incluso la muerte. Mantenga el cortasetos al menos a 10 metros de distancia de líneas eléctricas o de ramas que estén en contacto con dichas líneas eléctricas.

Trabaje con cuidado

Los accesorios para la porta herramienta múltiple operan a velocidades altas y pueden causar daños o lesiones serias si son malusadas o abusadas. Nunca permita que una persona sin entrenamiento o instrucción opere esta unidad !

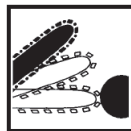
 ¡ADVERTENCIA!
Contragolpe y apriete

Alguna de las siguientes reacciones podría hacerle perder el control de su sierra al cortar, con la posibilidad de provocar lesiones graves. **No confíe sólo en los dispositivos de seguridad incorporados en la sierra.** Como usuario de una motosierra, deberá prestar atención a los pasos siguientes que lo ayudarán a evitar accidentes o a sufrir lesiones durante su trabajo:

- Sorpresas repentinas pueden contribuir a que se produzcan accidentes. Si tiene nociones básicas acerca de lo que es un contragolpe, podrá reducir o eliminar el elemento inesperado.
- Cortar a la alta velocidad del motor. Agarre la podadora con firmeza,

tomando con su mano derecha la empuñadura trasera y con su mano izquierda la empuñadura delantera, rodeando la empuñadura con los dedos, cuando la podadora está funcionando. No la suelte: Un agarre firme lo ayudará a reducir el contragolpe y a mantener el control de la podadora.

- Elimine los obstáculos del área de trabajo antes de cortar. Quite los troncos, ramas u otra obstrucción que pueda hacer contacto con el extremo de la barra durante las operaciones de corte.
- Siga las instrucciones del fabricante para afilar y realizar mantenimiento a la cadena de la sierra.
- Sólo utilice la barra de repuesto y las combinaciones de cadena especificadas por el fabricante.



Guardarte de contragolpe.

Se puede producir un contragolpe cuando el extremo o la punta de la barra hace contacto con un objeto cuando está funcionando la sierra. Un contacto del extremo puede hacer que la barra patee hacia arriba y hacia atrás en dirección al usuario, con la velocidad de un rayo.



Guardarte de apriete.

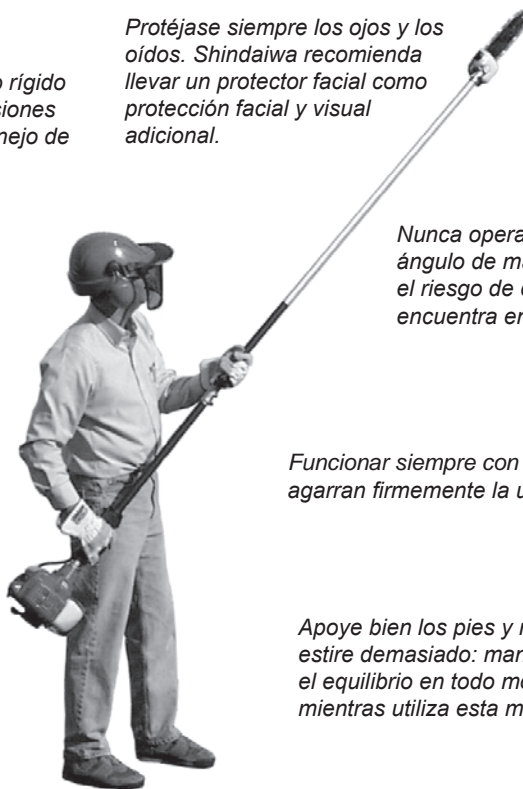
Apriete la sierra en la parte superior de la barra puede empujar la barra rápidamente hacia el usuario. Se puede producir el apriete si una madera se cierra alrededor de la cadena en movimiento.

El operario debidamente equipado

Lleve siempre con un casco rígido para reducir el riesgo de lesiones en la cabeza durante el manejo de esta máquina.

Protéjase siempre los ojos y los oídos. Shindaiwa recomienda llevar un protector facial como protección facial y visual adicional.

Protéjase con guantes y ropa muy ajustada que le cubran los brazos y las piernas, para evitar ser dañado por arbustos espinosos, residuos que puedan salir disparados, etc. Nunca lleve pantalones cortos.



Nunca operar la cortadora de extensión en un ángulo de más de 60°, para poder así reducir el riesgo de caerse mientras la máquina se encuentra en operación.

Funcionar siempre con ambas manos que agarran firmemente la unidad.

Apoye bien los pies y no se estire demasiado: mantenga el equilibrio en todo momento mientras utiliza esta máquina.

Utilice calzado resistente con suelas antideslizantes para poder apoyar firmemente los pies. Utilice zapatos o botas con punta de seguridad y suelas antideslizantes. Nunca utilice la unidad descalzo.

Asegúrese de que los transeúntes se encuentren al menos a 15 metros de la podadora en funcionamiento para reducir el riesgo de golpearlos con los objetos que puedan caer o los residuos que salgan despedidas.

Instrucciones de seguridad



¡ADVERTENCIA!

Precauciones del funcionamiento

- Antes de utilizar la podadora, asegúrese de que la cadena y el piñón estén correctamente ajustados (consulte los procedimientos de ajuste en la página 10). Nunca intente ajustar una cadena con el motor en marcha.
- Cerciorarte de siempre que el accesorio del corte esté instalado correctamente y que apretado firmemente antes de la operación.
- Si alguna cuchilla de la sierra se atasca en un corte, detenga el motor inmediatamente. Aparte la rama o arbusto para liberar la cuchilla.
- Cerciorarte de que no haya sujetadores que falta o flojos, y que el interruptor de ignición y los controles de válvula reguladora están funcionando correctamente.
- Antes de arrancar el motor, asegúrese de que no haya nada que toque la cadena de la sierra.
- **Opere la sierra sólo en un área bien ventilada.** No olvide la posibilidad de envenenamiento por monóxido de carbono. La neblina del aceite de lubricación y los gases de escape pueden ocasionar lesiones graves o la muerte.
- No opera ésta ni ninguna otra motosierra con el silenciador desinstalado.
- Al cortar una rama sometida a tensión, manténgase atento para echarse atrás y evitar ser golpeado por la rama en movimiento. Si la unidad golpea algún objeto extraño o se enreda en algo, detenga de inmediato el motor y compruebe si se ha producido algún daño. No lo use con el equipo dañado o roto.
- SIEMPRE pare el motor inmediatamente si repentinamente empieza a vibrar. Inspeccione el accesorio de corte por partes quebradas, faltantes o instaladas incorrectamente.
- Nunca transporte o deje la unidad con el motor en marcha. Un motor en funcionamiento se puede acelerar accidentalmente haciendo que gire el accesorio de corte.
- Asegúrese de que los protectores de seguridad de la cuchilla estén bien colocados al transportar la unidad.
- Siempre que transporte la máquina en la mano, lleve el extremo cortante del accesorio de corte por atrás.

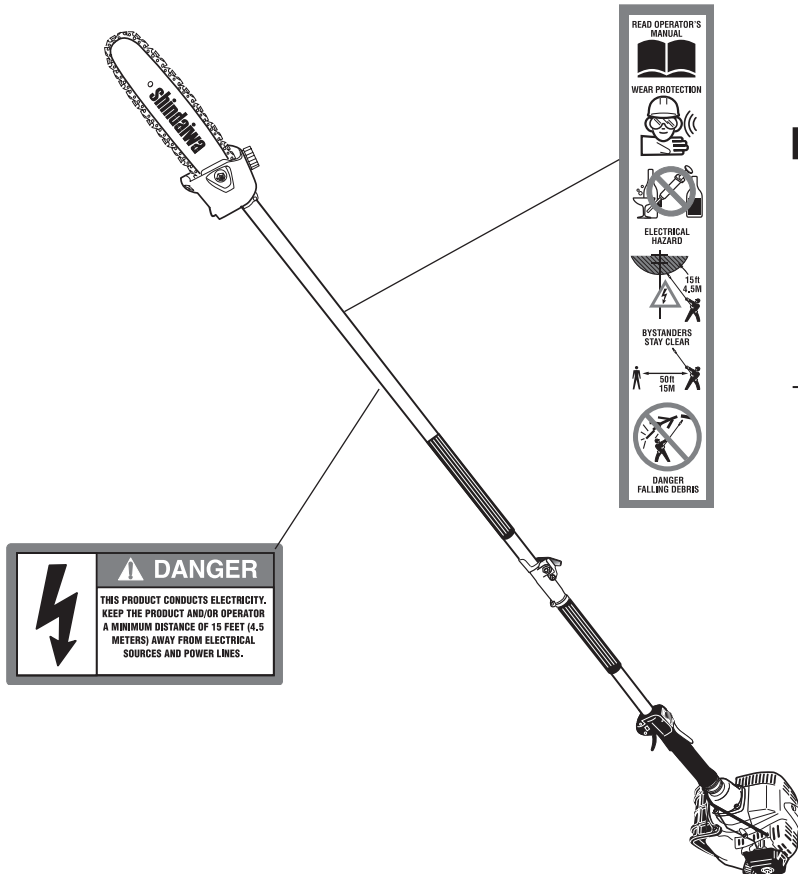
Instrucciones de seguridad (continuación)



¡PRECAUCIÓN!

- Realice siempre el mantenimiento de la podadora de extensión P231 de acuerdo con las instrucciones de este manual y siga el programa de mantenimiento recomendado.
- Nunca modifique ni desactive ninguno de los dispositivos de seguridad de la podadora.
- Use solamente piezas y accesorios autorizados por Shindaiwa con su unidad Shindaiwa.
- No realice modificaciones ni sustituciones no autorizadas en la barra guía ni en la cadena.
- Nunca permita que el motor gire a muchas revoluciones sin carga. Si lo hace, podría dañar el motor.
- Al transportar la podadora en un vehículo, sujétela de un modo seguro para que no se produzcan daños ni derrames de combustible.
- Limpie siempre su área de trabajo de basura o residuos ocultos para lograr un buen apoyo de los pies.
- Mantenga la cadena afilada y bien ajustada.
- SIEMPRE mantenga la unidad lo más limpia posible. Limpie los restos de vegetación, barro, etc.

Etiquetas de seguridad



¡IMPORTANTE!

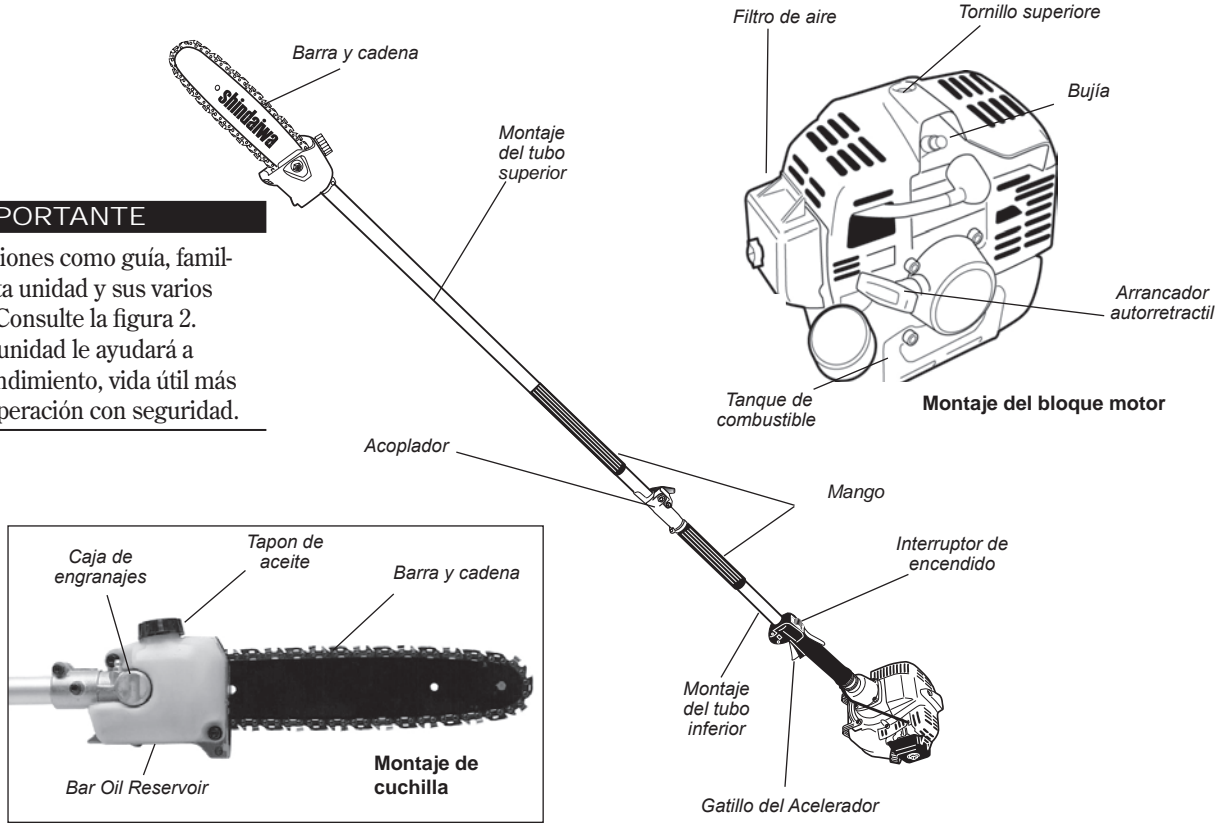
Etiquetas de Seguridad y de Información de Operación: Asegurese que toda las etiquetas estén libres de daños y legibles. Reemplace inmediatamente etiquetas dañadas o faltantes. Etiquetas nuevas están disponibles en su centro de servicio local autorizado de Shindaiwa.

Descripción del producto

Español

IMPORTANTE

Use las ilustraciones como guía, familiarícese con esta unidad y sus varios componentes. Consulte la figura 2. Conociendo la unidad le ayudará a obtener alto rendimiento, vida útil más prolongada y operación con seguridad.



Especificaciones

Peso seco	6.1 kg/13.4 lb.
Length w/10" bar assembly	2804 mm/110.4 in.
Tipo de motor	2 tiempos, cilindro vertical, refrigerado por aire
Diámetro x carrera.....	32 x 28 mm/1.3 x 1.1 in.
Cilindrada.....	22.5 cc/1.4 cu. in.
Potencia máxima	0.8kW/1.1 hp @ 7500 min ⁻¹ (rpm)
Proporción combustible/aceite	50:1
Capacidad del tanque de combustible	670 ml/22.7 oz.
Tipo de carburador	Walbro WYL-122
Sistema de encendido	Electrónico, controlado por transistor
Bujía.....	NGK BMR6A
Filtro de aire	Filtro de fieltro no reversible
Metodo de arranque	Arrancador autorretractil
Cooling System.....	Aire forzado
Método de detención	Interruptor deslizante
Tipo de transmisión	Automática, embrague centrífugo con engranajes helicoidales

Tipo de barra	3/8" de inclinación, calibrador de .043", 10" Micro Lite™
Tipo de cadena	3/8" de inclinación Micro Lite™, calibrador de .043"
Piñóns.....	3/8", fixed spur
Cociente del engranajes	1.06 : 1
Chain Speed.....	23.5 m (77 ft.)/sec. @ 10,000 min ⁻¹ (rpm)
Lubricación de cadena.....	Proporción de flujo ajustable automático
Aceite de cadena	Shindaiwa Premium Aceite de cadena y barra (o un producto equivalente)
Equipo opcional.....	Arnés, mango
Barras opcionales.....	8" or 12"
Periodo de Cumplimiento con Regulaciones de Emisiones EPA*	Categoría A

* El cumplimiento de emisiones EPA referido en la etiqueta en el motor, indica el número de horas de operación por la cual el motor ha demostrado cumplir con los requisitos federales de emisiones. Categoría C = 50 horas (Moderado), B= 125 horas (Intermedio) y A = 300 horas (Extendido).

Ensamblar

Antes de Ensamblar

Antes de ensamblar, cerciórese de que tenga todos los componentes necesarios para armar una máquina completa.

- Montaje del bloque motor
- Montaje del tubo inferior
- Montaje del tubo superior y sierra, cadena y barra guía

■ Kit CoverTool para cadena compuesto por:

- Llave para bujía
- Llave hexagonal Allen de 4 mm
- Llave plana de 8 x 10 mm

Inspeccione con cuidado todos los componentes para comprobar que ninguno esté dañado.

Barras y cadenas opcionales

- 8" barra — 90SG-33E cadena
- 10" barra — 90SG-39E cadena
- 12" barra — 90SG-44E cadena

¡IMPORTANTE!

Los términos "izquierda", "mano izquierda", y "LH"; "derecha", "mano derecha", y "RH", "delantera" y "trasera", indican direcciones desde el punto de vista del operador durante la operación normal de este producto.

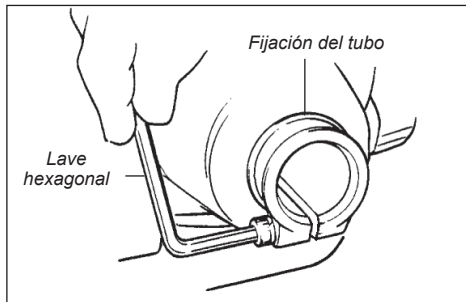


¡ADVERTENCIA!

No haga modificaciones o alteraciones no autorizadas a ninguna de éstas máquinas ni a sus componentes.

Powerhead Installation

1. Coloque el bloque motor en una superficie plana y limpia, con la bujía hacia arriba.
2. Utilice la llave Allen de 4 mm para aflojar el tornillo de fijación del tubo. Verifique que la arandela de separación en forma de D está colocada tal y como se muestra debajo.



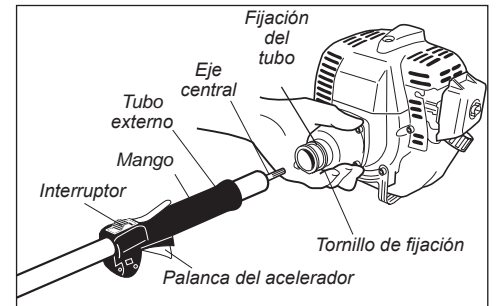
3. Aplique grasa EP a base de molibdeno a las ranuras del extremo del eje central.

¡PRECAUCIÓN!

No fuerce el tubo del eje dentro del bloque motor. La aplicación de fuerza excesiva puede dañar el tubo del eje y el eje central.

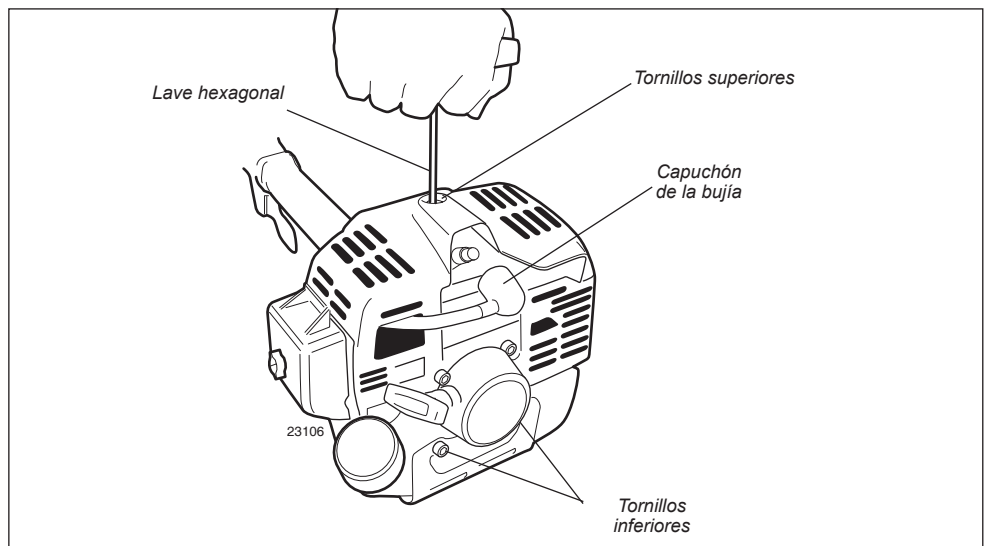
4. Deslice el tubo externo por dentro de la abrazadera del tubo hasta que éste toque fondo. Si le resulta difícil el montaje, gire ligeramente el tubo externo o el eje central hasta que sienta que las ranuras del eje central se acoplan al bloque motor. El tubo exterior tiene que insertarse de tal forma que el extremo del agarre toque la tapa de la junta.
5. Coloque el tubo exterior de forma que el interruptor de encendido quede hacia arriba y la palanca del acelerador hacia abajo.

6. Deslice el tubo exterior dentro del bloque motor hasta que el mango del acelerador toque la abrazadera del tubo.
7. Apriete firmemente el tornillo de fijación.



Conexión del cable del acelerador

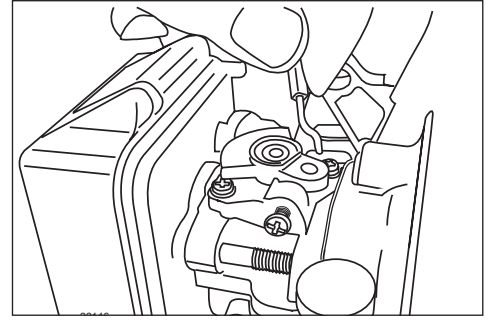
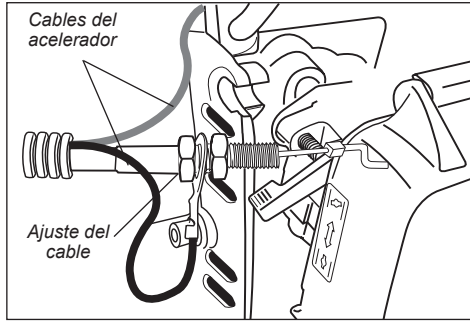
1. Quite la tapa del cilindro.
2. Retire el capuchón de la bujía.
3. Extraiga los dos tornillos inferiores de la tapa del cilindro.
4. Afloje los dos tornillos superiores de la tapa del cilindro hasta soltarla del motor. (El tornillo superior de la tapa del cilindro es prisionero). Levante la tapa del cilindro separándola del motor.



Ensamblar (continuación)

Conecte el cable del acelerador

1. Pase el tubo de cables corrugado al lado superior izquierdo del motor.
2. Inserte el cable negro entre las dos tuercas de ajuste del cable.
3. Conecte el extremo con forma de S del cable del acelerador a la palanca del acelerador, en la parte superior del carburador.



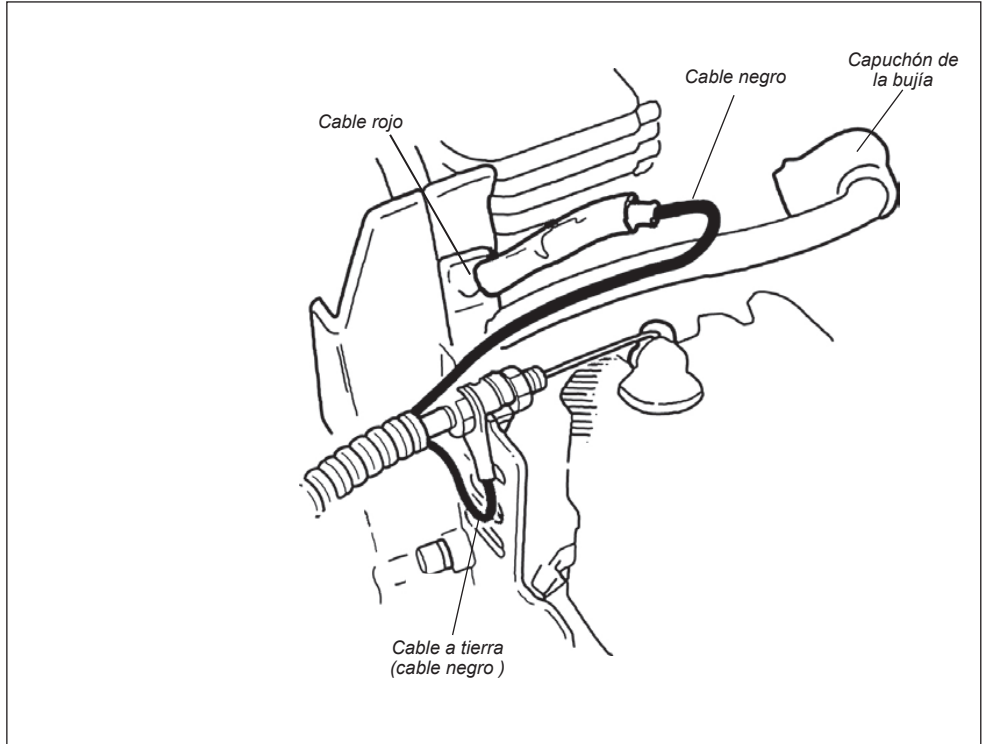
Ajuste el cable del acelerador

1. Inserte la camisa del cable del acelerador dentro de la muesca en la tapa del ventilador y aprisione el conector del cable negro entre la tapa del ventilador y la tuerca de ajuste exterior del cable.

¡IMPORTANTE!

La holgura del gatillo debe ser aproximadamente de 4 - 6 mm (aproximada de 1/4 de pulgada) en el gatillo del acelerador.

2. Ajuste y apriete las tuercas del cable dejando una holgura aproximada de 6 mm (1/4 de pulgada) en el gatillo del acelerador.
3. Apriete las dos tuercas de ajuste del cable del acelerador.
4. Presionando con los dedos solamente, conecte el cable de interruptor negro desde el tubo de cables al cable de encendido rojo en el bloque motor. El tendido de cables debe realizarse según se muestra en la ilustración, con el cable negro pasando por encima del de la bujía.
5. Vuelva a colocar la tapa del cilindro y apriete los tres tornillos.
6. Vuelva a colocar el capuchón de la bujía.



¡PRECAUCIÓN!

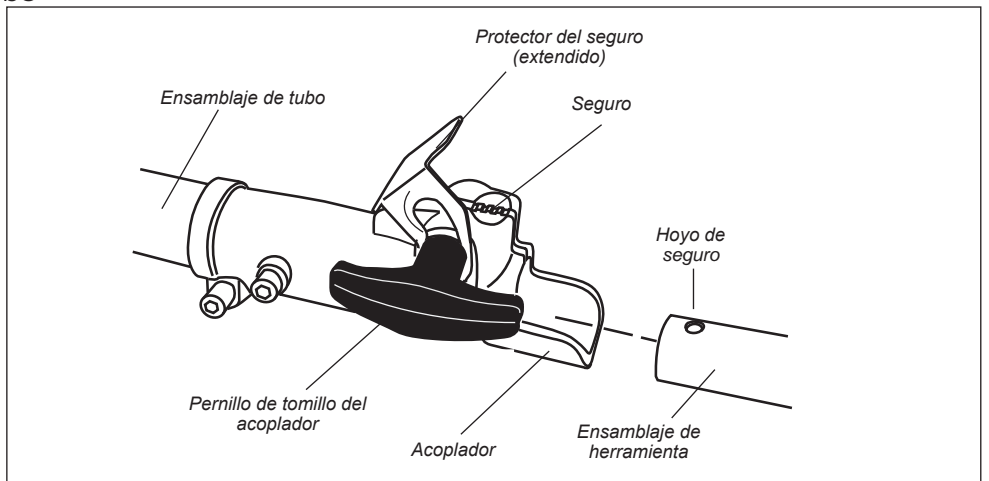
El tendido de los cables no debe impedir el accionamiento del acelerador.

Ensamblar de las secciones del tubo

1. Posicione la unidad y el ensamblaje de herramienta sobre una superficie limpia y plana, de tal forma que ambos ensamblajes encajen. El ensamblaje de la unidad debe estar cara arriba y el ensamblaje de la herramienta debe estar posicionado con el hoyo del seguro en el tubo con cara arriba.

¡PRECAUCIÓN!

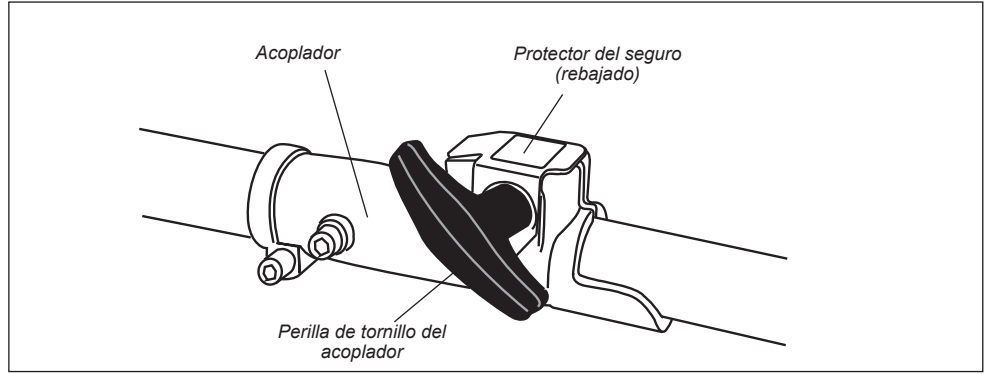
Mantenga los hoyos de los tubos limpios y libre de impurezas!



Ensamblar (continuación)

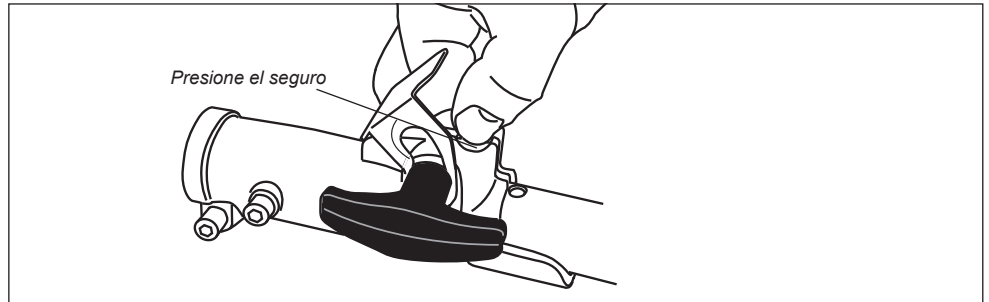
Ensamblar de las secciones del tubo (cont.)

2. Retire las cubiertas protectoras de ambos tubos y afloje la perilla del tornillo del acoplador.
3. Inserte el ensamblaje del herramienta en el acoplador, con la calcomanía de la herramienta cara arriba, hasta que la línea de la calcomanía este junto al final del acoplador.
4. Mueva la herramienta de lado a lado hasta que este seguro de que encaje en lugar a travez del seguro del acoplador.
5. Cuando ambos tubos esten intercalados, presione hacia abajo el protector de seguro con resorte y apriete el tornillo del acoplador.



Desmontaje de las secciones del tubo

1. Con la unidad sobre una superficie limpia y plana, afloje el tornillo del acoplador. El protector de seguro con resorte debe salir.
2. Presione el seguro hacia abajo con su dedo. Esto libera el seguro del acoplador.
3. Jale el ensamblaje de la herramienta fuera del acoplador.



Instalación y ajuste de la barra y la cadena de la sierra

Instalación la cadena



¡ADVERTENCIA!

Nunca intentar instalar, substituir, o ajustar la cadena con el funcionamiento del motor.



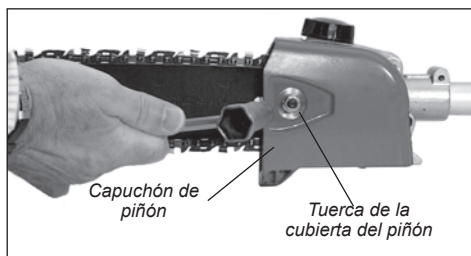
¡ADVERTENCIA!

Las cuchillas de la cadena de la sierra son muy filosas. Siempre que las manipule utilice guantes de protección.

NOTA:

Para alcanzar la mayor vida útil de la cadena, coloque las presillas de la cadena, nuevas o de repuesto, en aceite y déjelas en remojo durante 24 horas antes de la instalación.

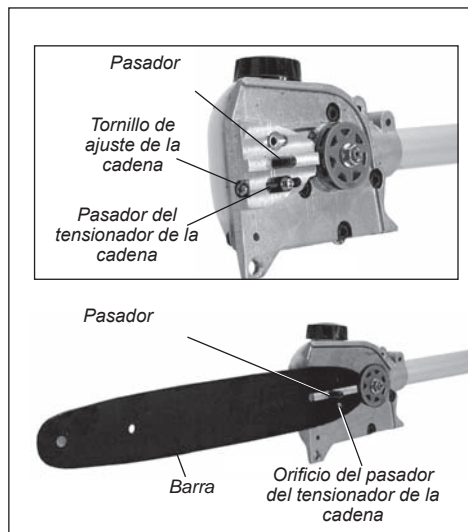
1. Con ayuda del extremo pequeño de la llave de bujías, extraiga la tuerca de la tapa del piñón (girándola en el sentido contrario al de las agujas del reloj) y retire la tapa.



¡PRECAUCIÓN!

Si no se alinean correctamente la barra y el pasador del tensionador de la cadena, se podría dañar severamente la cubierta del embrague, la barra, el pasador del tensionador y/o el cárter del motor.

2. Coloque la barra sobre el pasadore de la barra. Alinee el pasador tensor de la cadena con el orificio de la barra guía.



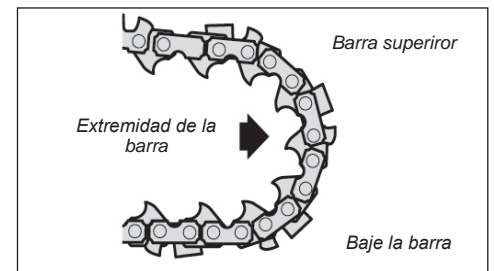
3. Instale la presilla de la cadena sobre la rueda dentada de la transmisión y después alinee las conexiones de transmisión de la cadena dentro de la guía de la barra. Verifique que las cuchillas estén correctamente orientadas. Si la instalación de la cadena es difícil o si la cadena aparece demasiado ajustada, consulte la sección "Ajuste de la barra y la cadena".



¡ADVERTENCIA!

Nunca opere esta sierra si no está instalada la cubierta de piñón.

4. Instale la cubierta del piñón sobre el o los pasadores de la barra e instale la o las tuercas de la barra ajustándolas con los dedos.
5. Consulte la sección "Ajuste la cadena".



Adjuste la cadena



¡ADVERTENCIA!

Nunca intentar instalar, substituir, o ajustar la cadena cuando el motor es operacional.



¡ADVERTENCIA!

Las cuchillas de la cadena de la sierra son muy filosas. Siempre que las manipule utilice guantes de protección.

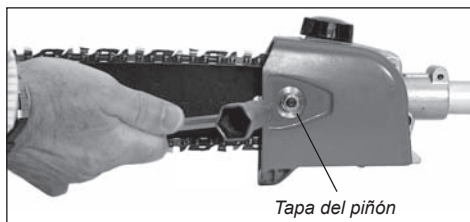
¡PRECAUCIÓN!

Una cadena floja puede saltar de la barra y provocar daños en la cadena y en los elementos asociados. Asegúrese siempre de que la cadena está bien ajustada; revísela más a menudo cuando corte con una cadena nueva.

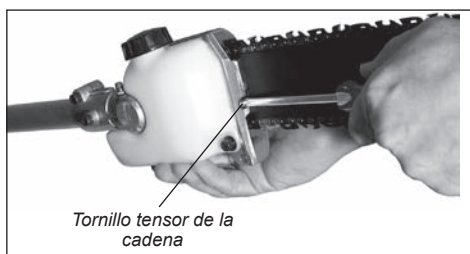
¡IMPORTANTE!

Es fundamental ajustar la cadena en forma apropiada para alcanzar el máximo de rendimiento, vida útil de la cadena y seguridad del usuario. Siempre revise la tensión de la cadena antes de opera la podadora.

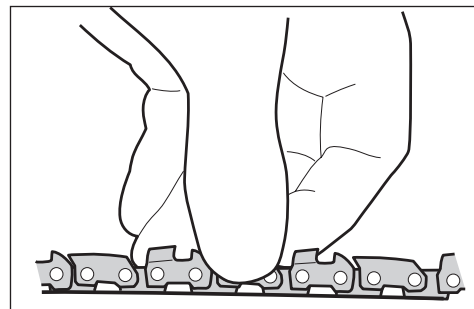
1. Coloque la podadora sobre una superficie limpia y llana. (Para efectuar cualquier reajuste durante el trabajo, apague el motor y deje que la barra y la cadena se enfríen antes de proseguir con el procedimiento de ajuste).
2. Afloje la tuerca de la tapa del piñón con una llave de bujías.



3. Levante el extremo de la barra mientras gira el tornillo tensor de la cadena:
 - para apretar la cadena, en el sentido de las agujas del reloj.
 - para aflojar la cadena, en el sentido contrario al de las agujas del reloj.



4. Tire de la cadena manualmente a lo largo de la parte superior de la barra varias veces desde el motor al extremo de la barra. La cadena deberá sentirse ajustada al tacto, pero avanzar libremente.



5. Apriete firmemente la tuerca de la tapa del piñón mientras levanta la punta de la barra.
6. Verifique que la cadena queda correctamente ajustada (con más frecuencia en una cadena nueva). La cadena deberá sentirse ajustada al tacto, pero avanzar libremente.

Bomba de aceite



¡ADVERTENCIA!

Nunca llenar el depósito de aceite o ajustar a engrasador cuando el motor está operacional.

¡IMPORTANTE!

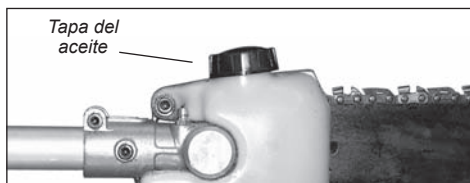
La calidad del lubricante afecta a la vida útil de la cadena y de la barra. El uso de un lubricante de calidad superior, como el aceite para barras y cadenas Shindaiwa, prolongará la vida útil de la unidad. Para trabajar en climas fríos, mezcle este aceite con otra parte igual de queroseno.

Llenado del depósito de aceite

NOTA:

La capacidad del depósito de aceite permite cortar durante 40 minutos (con el caudal ajustado al mínimo, o con una autonomía aproximadamente equivalente a la del depósito de combustible).

1. Coloque la podadora sobre una superficie plana y limpia con la tapa del depósito de aceite hacia arriba. Limpie todo residuo de la tapa del depósito de aceite y en torno al cuello de este depósito.
2. Quite la tapa del aceite y llene el depósito de aceite con aceite para la barra y la cadena, y vuelva a colocar la tapa.



3. Limpie las salpicaduras de aceite del unit antes de arrancar.

Ajuste del flujo del aceite

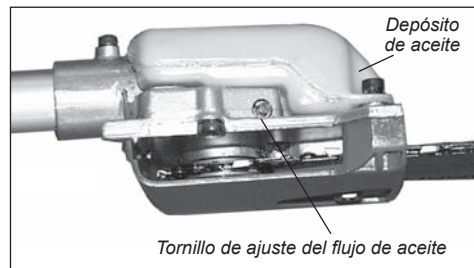
¡PRECAUCIÓN!

El aumento del caudal de aceite en la barra acelerará el consumo de aceite, siendo necesario revisar más frecuentemente el nivel del depósito de aceite. Para garantizar una lubricación suficiente, el nivel de aceite deberá comprobarse con mayor frecuencia que el de combustible.

La lubricación de la barra y de la cadena de la sierra es suministrada automáticamente por una bomba de aceite ajustable diseñada para operar cada vez que rota el tambor del embrague. Con frecuencia, es deseable un aumento temporal en la proporción del flujo de aceite al cortar maderas duras o maderas blandas de diámetro grande.

Ajustar la bomba como sigue:

1. Detenga el motor y verifique que la llave de detención del motor esté en la posición "OFF" (apagado).
2. Coloque la maquina de costado, con el depósito de aceite orientada hacia arriba.



3. Use un destornillador para girar el tornillo de ajuste del flujo de aceite.
 - A la derecha para disminuir la lubricación.
 - A la izquierda para aumentar la lubricación.

Mezcla de combustible

¡PRECAUCIÓN!

- Nunca use ningún combustible que contenga más de 10% de alcohol por volúmen! Algunas gasolinas contienen alcohol como un oxigenante. Combustibles oxigenados pueden aumentar la temperatura del motor durante su funcionamiento. Bajo ciertas condiciones, combustible con alcohol puede reducir la calidad lubricante de algunos aceites de mezcla.
- Aceites genéricos y algunos aceites para motores fuera de borda pueden no ser para el uso en motores de 2 tiempos, de alto rendimiento, y no deben ser usados en su motor Shindaiwa!

¡PRECAUCIÓN!

Este motor ha sido diseñado para funcionar únicamente con una mezcla de 50:1 de gasolina sin plomo y aceite de mezcla Premium para motores de dos tiempos. La utilización de aceites de mezcla no autorizados puede incrementar los costes de mantenimiento y los daños en el motor.

- Use solamente gasolina fresca, limpia y sin plomo, con índice de octanaje de 87 o superior.
- Mezcle todo el combustible con aceite de mezcla para motores de 2 tiempos enfriados por aire que cumpla o exceda aceites clasificados ISO-L-EDG y/o JASO FC a proporción de 50:1 gasolina/aceite.

Ejemplos de cantidades de mezcla a proporción de 50:1

Gasolina liters	Mezclar para motores de 2 tiempos milliliters
2,5 - 1	50 ml
5 - 1	100 ml
10 - 1	200 ml
20 - 1	400 ml

¡IMPORTANTE!

Mezcle solamente el combustible necesario para uso inmediato! De ser necesario almacenar el combustible por más de 30 días, y si no se está usando aceite **ONE** con estabilizador de combustible, entonces el combustible debe ser tratado primero con un estabilizador como por ejemplo STA-BIL™.

El aceite **ONE** es un aceite registrado de JASO FC clasificado y también cumple o excede los requisitos de rendimiento de ISO-L-EGD. Shindaiwa One es recomendado para el uso en todo los motores Shindaiwa de baja emisión. Shindaiwa One también incluye el estabilizador de combustible.

Llenando el tanque de combustible



¡ADVERTENCIA! Disminuya el riesgo de incendios!

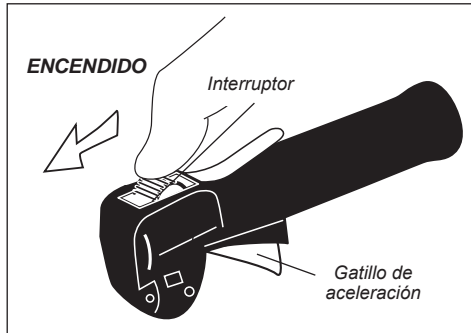
- Pare el motor antes de volver a llenar el tanque.
 - Siempre deje enfriar el motor antes de volver a llenar el tanque!
 - Limpie todo derrame de combustible y aleje el motor por lo menos 10 pies (3 metros) del depósito de combustible antes de volver a prender el motor!
 - Nunca comience u opere esta máquina si existe una pérdida de combustible.
- Nunca encienda u opere esta máquina si el carburador, líneas de combustible y/o tapa de tanque o tanque de combustible se encuentran dañados.
 - Nunca fume o encienda fuegos cerca del motor o del combustible!
 - Nunca coloque material inflamable cerca del silenciador del motor!
 - Nunca opere el motor sin antes comprobar que el silenciador y el guardachispas estén funcionando adecuadamente.

1. Posicione la máquina sobre una superficie plana y nivelada.
2. Retire cualquier suciedad o despojos alrededor de la tapa de combustible.
3. Retire la tapa de combustible y llene el tanque con combustible fresco y limpio.
4. Reinstale la tapa de combustible y apriete firmemente.

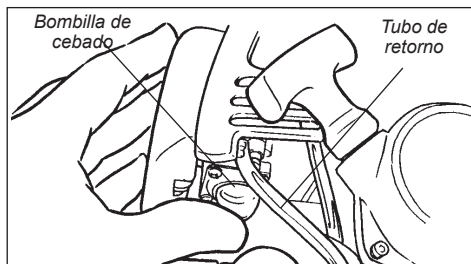
Arranque del motor

¡IMPORTANTE!

El encendido del motor está controlado por un interruptor de dos posiciones montado en el mango del acelerador indicado "I" (encendido o arranque) y "O" (apagado o pare).



1. Deslice el interruptor hacia la posición "I" (motor encendido).

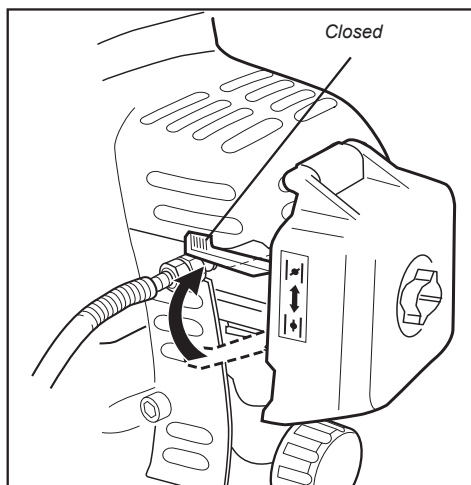


2. Presione la bombilla de cebado hasta que vea pasar combustible por el tubo de retorno transparente.

¡IMPORTANTE!

La bomba de cebado solamente empuja combustible a través del carburador. Presionando repetidamente la bomba de cebado no ahogará el motor con combustible.

3. Posicione la palanca del cebador en la posición CLOSED (cerrado) si el motor está frío.

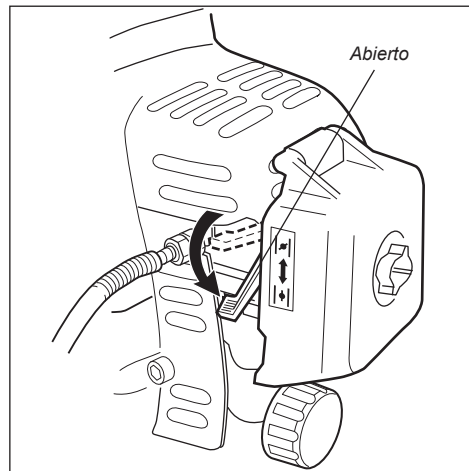


4. Mientras sostiene el tubo exterior firmemente con una mano, jale despacio la cuerda del arrancador recular hasta que sienta resistencia.



¡PRECAUCIÓN!

No jale el arrancador recular hasta el final de la cuerda. De lo contrario, puede dañar el arrancador.



5. Cuando arranque el motor, mueva despacio la palanca del cebador a la posición "OPEN" (abierto). Consulte la figura 18. (Si el motor para después del arranque inicial, cierre la palanca del cebador y vuelva arrancar).



¡ADVERTENCIA!

El accesorio de corte se moverá cuando arranque el motor. Manténgase alejado del accesorio de corte al arrancar el motor.

¡IMPORTANTE!

Si el motor falla en arrancar después de varios intentos con la palanca del cebador en posición cerrada, puede que el motor esté ahogado con combustible. Si esto se sospecha, mueva la palanca del cebador a la posición abierta y repetidamente jale el arrancador recular para remover el exceso de combustible y para arrancar el motor. Si aún falla en arrancar el motor, consulte el guía diagnóstico de este manual.



¡ADVERTENCIA!

Nunca arranque el motor desde la posición de operación.

Cuando arranca el motor...

- Después de que arranque el motor, permita que caliente en marcha mínima por 2 ó 3 minutos antes de usar la máquina.
- Después de que caliente el motor, levante la máquina y asegure el arnés si así está equipada.
- Adelantando el acelerador hace que el accesorio de corte gire más rápido; liberando el acelerador permite que el accesorio pare de girar. Si el accesorio de corte continua girando cuando el motor regresa a marcha mínima, la velocidad mínima del carburador debe ser ajustada. (Consulte "Ajuste de Marcha Mínima" a continuación).

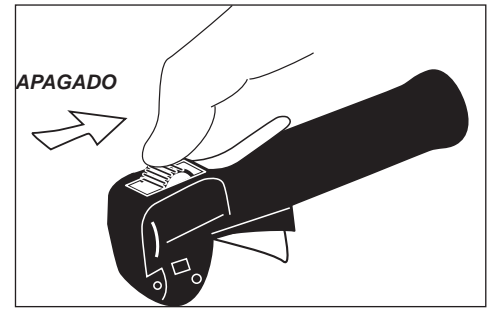
Parada del motor



¡ADVERTENCIA!

El accesorio de cortes pudo continuar girando cuando se para el motor.

1. Ponga el motor en marcha mínima por dos o tres minutos antes de apagarlo.
2. Deslice el interruptor de ignición a la posición "0" (motor apagado).



Ajuste de marcha mínima del motor

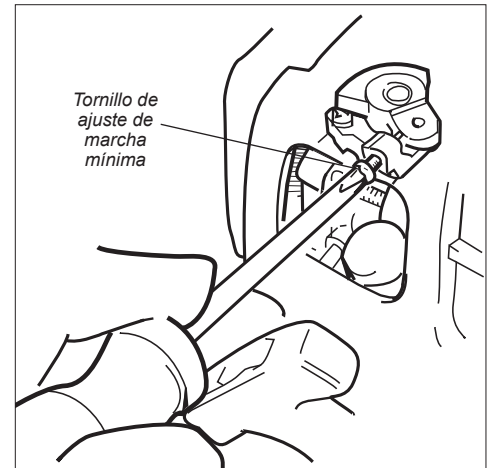


¡ADVERTENCIA!

El accesorio de corte NUNCA debe girar en velocidades mínimas! Si la marcha mínima no puede ser ajustada por el procedimiento descrito aquí, entonces devuelva la podadora a su distribuidor Shindaiwa para inspección.

Ajuste de marcha mínima

1. Coloque el aparato en el suelo, luego encienda el motor y déjelo funcionar en marcha mínima durante 2 ó 3 minutos hasta que caliente.
2. Si el accesorio de corte gira mientras el motor está en marcha mínima, reduzca la marcha mínima, girando el tornillo de ajuste de marcha mínima en el sentido contrario a las agujas del reloj.
3. Si el motor está detenido y no hace ralenti, aumente la velocidad del ralenti rotando el ajuste de la aguja de baja en favor de las manecillas del reloj.



¡IMPORTANTE!

Los ajustes de mezcla de carburador son prefijados en la fábrica y no pueden ser cambiados en el campo.

El motor debe retornar a marcha mínima cuando la palanca del acelerador es liberada. La marcha mínima es ajustable y debe ser suficientemente mínima para permitir que el embrague del motor libere el accesorio de corte.

¡IMPORTANTE!

Si tiene un tacómetro disponible, la marcha mínima se debe ajustar a 2750 (± 250) min^{-1} .

El uso de la potadora de extensión

Esta máquina ha sido diseñada especialmente para el corte de ramas

Nunca utilice esta máquina para otro tipo de aplicación. Nunca corte piedras, metales, plásticos o cualquier otro objetos duros.

Si fuese esta máquina utilizada para otros propósitos que el corte de ramas, podría causar serios daños al operador.

Preparación

- Lleve ropa y equipo apropiado para su protección – vea la sección “Precauciones de Seguridad”.
- Escoja la mejor ubicación de trabajo por seguridad de cualquier objeto que pueda caer como ramas.
- Arranque el motor.
- Póngase la correa.
- Nunca se pare debajo de la rama que va a cortar – aléjese de las ramas que caen. Note que cualquier rama puede rebotar hacia usted después de caer al suelo.

Secuencia de corte:

Para permitir que las ramas caigan libremente, siempre corte las inferiores primero. Poda las ramas más grandes (largas en diámetro) en varios pedazos controlables.

Posición de trabajo:

Sostenga el mango de control con su mano derecha y el eje con su mano izquierda. Su mano izquierda debe extenderse hasta una posición lo más cómoda posible.

El eje debe sostenerse siempre en un ángulo de 60° o menos.

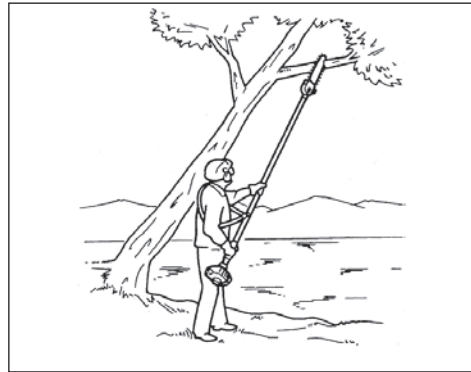
Corte Estándar :

La posición de trabajo más conveniente de la herramienta es de 60°, pero cualquier otro ángulo puede ser usado apropiado a la situación.



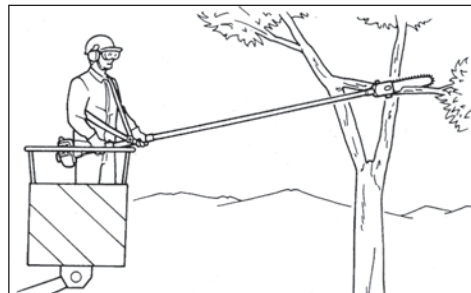
Corte sobre obstáculos:

Debido a al alcance largo de la unidad, es posible podar las ramas que se están inclinando sobre obstáculos tales como ríos o lagos. El ángulo de la herramienta en este caso depende de la posición de la rama.



Cortando sobre una plataforma de trabajo:

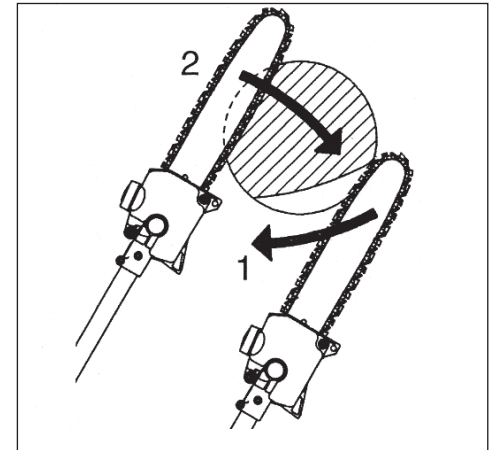
El largo alcance de la unidad la faculta a efectuar cortes cerca del tronco sin el riesgo de que la plataforma de trabajo dañe otras ramas. El ángulo de la herramienta en este caso depende de la ubicación de las ramas.



Corte de Relevo:

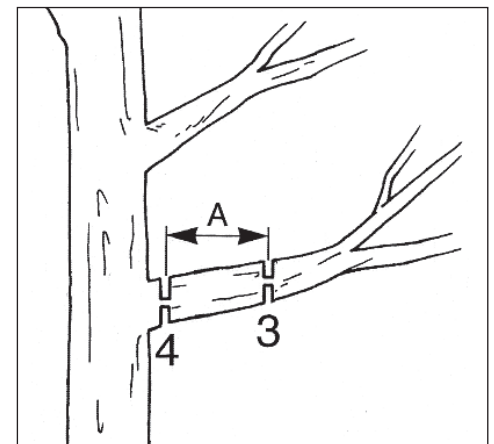
Para evitar que la rama se divida, con-tragolpe o se pinche la barra cuando esté cortando ramas finas, siempre comience por realizar un (1) corte de relevo en la parte inferior de la rama.

Para hacer esto, aplique con el accesorio de corte a través de la base de la rama hasta donde sea posible de acuerdo a la medida de la barra. Desempeñe el corte-cruzado (2).



Corte de abundantes ramas finas:

Si el diámetro de una rama es más de 10 cm, primero ejecute un corte inferior (3) y un corte-cruzado a la distancia (A) acerca de 25 cm del corte final. Luego lleve-afuera el corte-al ras (4), comenzando con un corte que libere y termine con un corte-cruzado.



Mantenimiento general

¡IMPORTANTE!

EL MANTENIMIENTO, REEMPLAZO O REPARACION DE LOS SISTEMAS Y DISPOSITIVOS DE CONTROL DE EMISION PUEDEN SER EFECTUADOS POR CUALQUIER ESTABLECIMIENTO O INDIVIDUO; SIN EMBARGO, LAS REPARACIONES DE GARANTIA DEBEN SER EFECTUADAS POR SU CENTRO DE SERVICIO O DISTRIBUIDOR AUTORIZADO POR SHINDAIWA CORPORATION. EL USO DE PARTES QUE NO SON EQUIVALENTES EN RENDIMIENTO Y DURABILIDAD A LAS PARTES AUTORIZADAS PUEDEN AFECTAR LA EFECTIVIDAD DE SU SISTEMA DE CONTROL DE EMISION Y PUEDE INFLUENCIAR EL RESULTADO DE SU RECLAMO DE GARANTIA.



¡ADVERTENCIA!

Antes de efectuar mantenimiento, reparación o limpieza de la máquina, cerciórese de que el motor y el accesorio de corte estén completamente detenidos. Desconecte el cable de bujía antes de efectuar servicio de mantenimiento.



¡ADVERTENCIA!

Los repuestos no estándar puedan que no operen propiamente con su máquina y pueden causar daño y conducir a una lesión personal.

Silenciador

Esta máquina nunca debe ser operada con un guardachispas o silenciador defectuoso o faltante. Cerciórese de que el silenciador esté bien asegurado y en buena condición. Un silenciador usado o dañado es un riesgo de incendio y puede causar la pérdida de audición.

Bujía

Mantenga la bujía y las conexiones de cable apretadas y limpias.

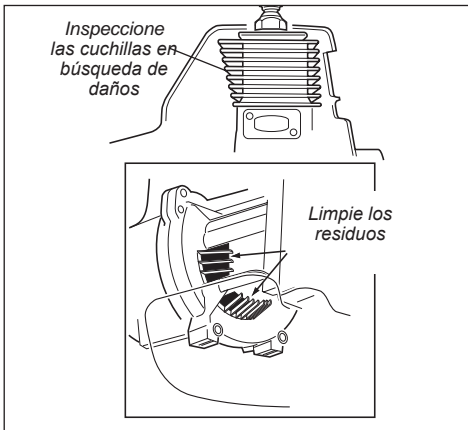
Sujetadores

Cerciórese de que las tuercas, pernos y tornillos (a excepción de los tornillos de ajuste del carburador) estén apretados.

Mantenimiento diario

Antes de cada día de trabajo, efectúelo siguiente:

- Retire toda suciedad y despojo del motor, revise las aletas de enfriamiento y el filtro de aire y límpielos de ser necesario.



¡ADVERTENCIA!

Usar siempre los guantes al trabajar alrededor de la cadena.

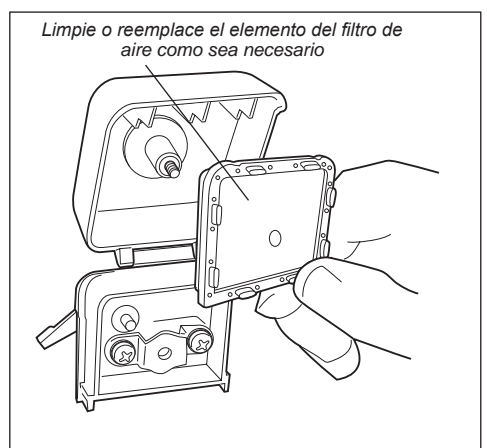
- Cuidadosamente, retire cualquier acumulación de suciedad o despojo del silenciador y del tanque de combustible. La acumulación de suciedad en dichas áreas puede ocasionar el sobrecalentamiento del motor, inducir el gasto prematuro o crear un riesgo de incendio.
- Limpiar los residuos de suciedad y los de la del accesorio del corte. Comprobar la barra y encadenarla para el daño o el ajuste incorrecto.

- Revise que no falten tornillos y que no estén flojos. Cerciórese de que el accesorio de corte esté firmemente asegurado.
- Revise la máquina entera en busca de goteo de combustible o grasa.
- Cerciórese de que las tuercas, pernos y tornillos (a excepción de los tornillos de ajuste del carburador) estén apretados.

Cada 10 horas mantenimiento

Cada 10 horas de operación (más frecuentemente bajo condiciones sucias o polvorientas):

- Retire el elemento del filtro de aire. Limpie o reemplace como sea necesario. Para lavar el elemento: Lavelo meticulosamente con agua y jabón. Deje que seque antes de reinstalarlo.



¡PRECAUCIÓN!

No opere esta máquina si el filtro de aire está sucio, dañado o si está húmedo.

Mantenimiento (continuación)

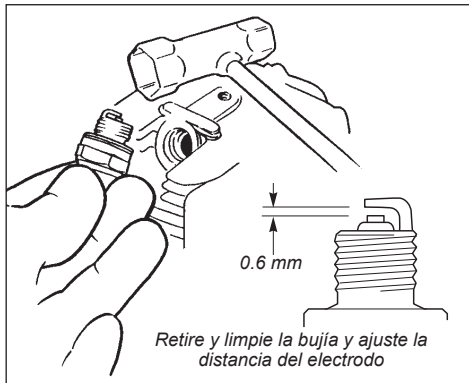
Cada 10 - 15 horas mantenimiento:

Cada 10 - 15 horas mantenimiento:

- Retire y limpie la bujía. Ajuste la distancia del electrodo a 0.6 -0.7 mm./ 0.024 in. Si la bujía necesita ser reemplazada, use solamente una bujía BPMR6A o una bujía equivalente con resistencia al calor correcta.

¡PRECAUCIÓN!

Antes de retirar la bujía, limpie alrededor de la misma para evitar que entre polvo o suciedad a las partes internas del motor.



¡PRECAUCIÓN!

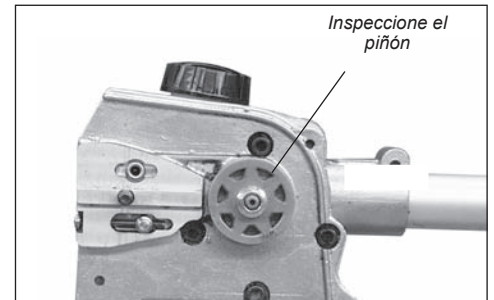
La instalación de la bujía incorrecta puede dar lugar a daño de motor serio.

Cada 50 horas mantenimiento

Cada 50 horas de operación (más frecuentemente bajo condiciones sucias o polvorrientas):

- Limpie a fondo el exterior de la sierra. Quite todas las astillas y otros residuos de las aletas del cilindro y de los conductos de refrigeración.

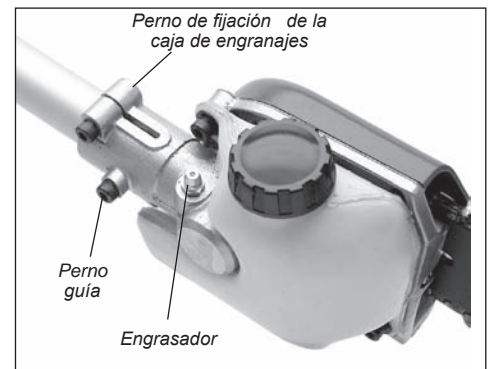
- Extraiga la tapa del piñón e inspeccione el piñón asegurándose de que no haya un exceso de suciedad, residuos acumulados o desgaste. Extraiga la barra y limpie la hendidura. Si el piñón está excesivamente desgastado, reemplácelo por otro nuevo.



Lubrique la caja de engranajes

- Afloje el perno de fijación de la caja de engranajes.
- Extraiga el perno guía de la caja de engranajes.
- Extraiga la caja de engranajes del tubo.

- Con una pistola de engrase de tipo palanca, bombee grasa a base de litio (unos 10 gramos) en el engrasador hasta que la grasa usada rebose por la caja de engranajes, lo que puede verse en la cavidad del tubo exterior, en el punto de inserción de la caja de engranajes. Limpie la grasa sobrante y vuelva a montar la caja de engranajes en el tubo exterior.

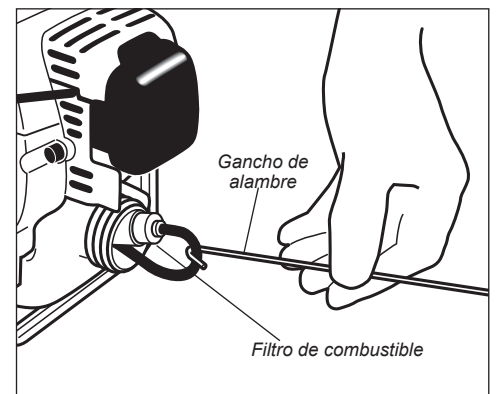


Retire y reemplace el elemento del filtro

¡PRECAUCIÓN!

Asegure de no perforar la tubería de combustible con la punta del gancho de alambre, pues esta línea es delicada y se puede dañar fácilmente.

Use un gancho de alambre para extraer el filtro de combustible del tanque de combustible. Antes de reinstalar el filtro, inspeccione la condición de todo los componentes del sistema de combustible (manguera de alimentación, manguera del ventilador, ventilador, tapa y tanque). Si descubre daños, quebraduras o deteriorización, retire la unidad de operación hasta que pueda ser inspeccionada o reparada por un técnico de servicio entrenado por Shindaiwa.



Mantenimiento (continuación)

Mantenimiento del silenciador

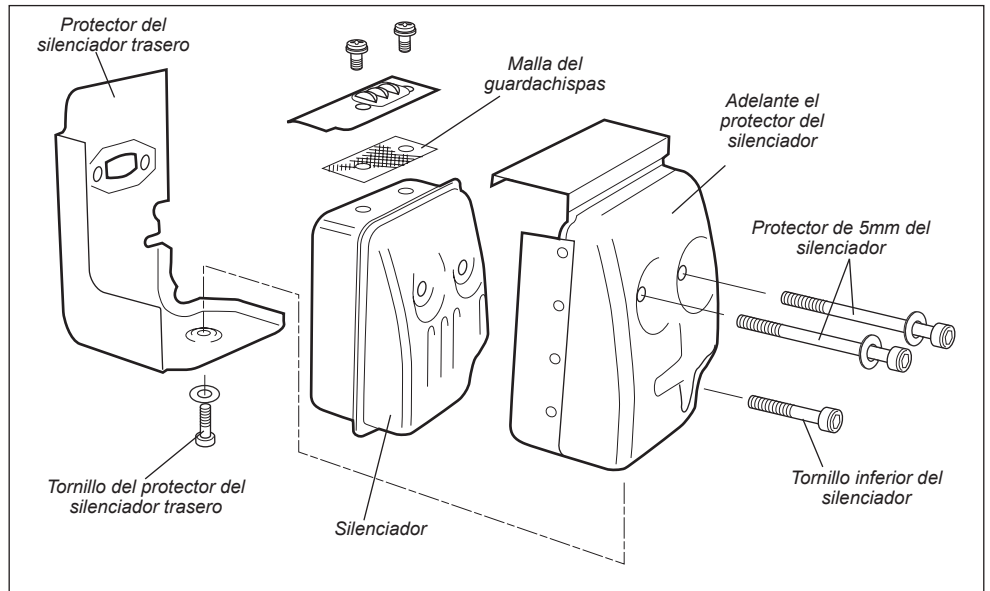
Cada 135 horas de operación, retire y limpie el silenciador.



¡ADVERTENCIA!

Nunca opere la máquina con un silenciador o guardachispas dañado o faltante! De lo contrario, puede ser un riesgo de incendio y podría también causar daños a sus oídos.

1. Retire el capuchón de bujía.
2. Retire los dos tornillos de 4mm de la tapa del motor (ubicados encima de la caja del arrancador).
3. Afloje el tornillo de 5mm de la tapa del motor (el tornillo es cautivo) y levante la tapa del motor.
4. Retire los dos tornillos de 5mm del silenciador. Retire el tornillo inferior del silenciador, y luego levante el montaje del silenciador fuera del motor.
5. Retire el tornillo de cabeza allen del silenciador trasero, y mientras observa la orientación de las partes, separe el protector del silenciador.



6. Retire la malla de guardachispas y límpiela con un cepillo de cerdas gruesas.
7. Suavemente toque el silenciador sobre una superficie de madera para deshacerse de cualquier carbón suelto.
8. Inspeccione el escape del cilindro en busca de acumulación de carbón.
9. Vuelva a ensamblar el silenciador en forma reversa al orden de desmontaje.

¡IMPORTANTE!

Si nota acumulación excesiva de carbón, consulte con su centro de servicio o distribuidor autorizado Shindaiwa.

Almacenamiento de largo plazo

Cada vez que la máquina no va a ser usada por 30 días o más, siga los siguientes procedimientos para preparar su almacenamiento:

- Limpie las partes externas.
- Drene todo combustible en el tanque.

¡IMPORTANTE!

Todo combustible almacenado debe estar estabilizado con un estabilizador de combustible tal como STA-BIL.

Retire el resto del combustible en las tuberías de combustible y carburador.

1. Empuje la bombilla de cebado hasta que el combustible deje de pasar.
2. Arranque y mantenga prendido el motor hasta que pare de funcionar.
3. Repita los pasos 1 y 2 hasta que el motor ya no arranque.

PRECAUCION!

Gasolina almacenada en el carburador por períodos largos puede causar un arranque duro y puede conducir a un aumento en costo de servicio y mantenimiento.

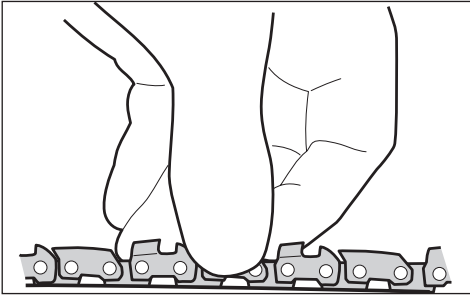
- Retire la bujía y vierta aproximadamente 10 cm³ (.25 oz.) de aceite de mezcla para motores de 2 tiempos en el cilindro a través del agujero de la bujía. Lentamente jale el arrancador 2 ó 3 veces para que el aceite se aplique uniformemente en el interior del motor. Reinstale la bujía.
- Antes de almacenar la máquina, repare o cambie cualquier pieza dañada o gastada.
- Retire el elemento del filtro de aire y límpielo minuciosamente con agua y jabón. Deje que seque y vuelva a ensamblar el elemento.
- Almacene la máquina en un sitio limpio y libre de polvo.

Mantenimiento (continuación)

Rendimiento de la cadena

Cuando los filos de la lámina llegan a ser embotados, pueden ser vueltos a afilar con algunos movimientos de una lima. Para mantener la lámina balance, filos del todos los se debe afilar iguales.

También, examinar la cadena para ajuste correcto (más con frecuencia con una nueva cadena). La tensión de la cadena es la correcta cuando no tiene ninguna parte floja en la parte inferior de la barra y la cadena se puede mover libremente. Consulte la sección "Ajuste la cadena".



¡IMPORTANTE!

Lime todas las cuchillas en igual ángulo y profundidad. Un limado desigual puede causar que la sierra vibre o corte irregularmente.

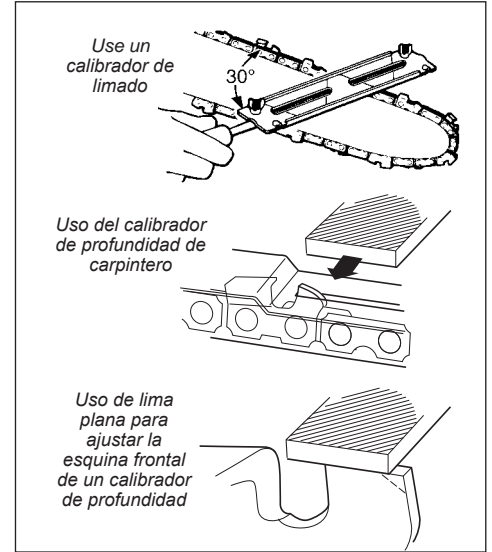
1. Usando una 4.5 mm cilíndrica apropiada, afile todas las cuchillas en un ángulo de 30°.

NOTA:

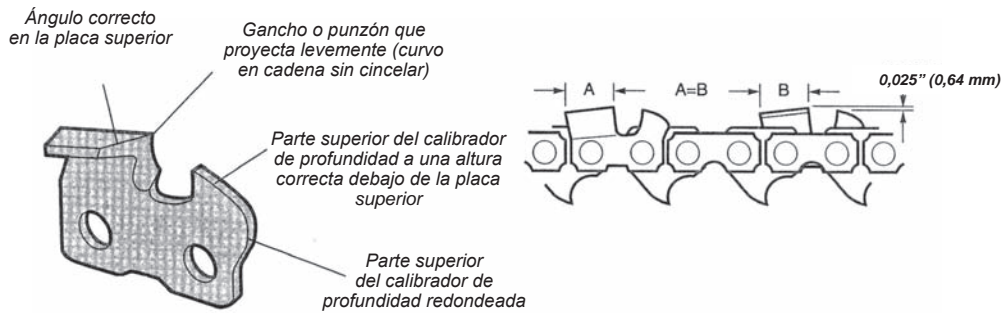
Para limar en ángulos iguales, use una guía para la lima.

2. Luego de afilar todas las cuchillas, use un calibrador de profundidad de carpintero para medir la altura de cada medida de profundidad.
3. Si es necesario, use una lima plana para disminuir la altura de los calibradores de profundidad a la altura apropiada de 0.6 mm.

4. Luego de haber ajustado todos los calibradores de profundidad, use una lima plana para ajustar a la curvatura y ángulo originales a cada filo saliente de los calibradores de profundidad.

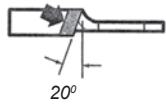


Técnica de limado correcta



Problemas de limado

El ángulo de la cara superior es menor al recomendado



Causa

Posición de la lima en un ángulo menor al recomendado.

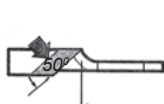
Resultado

Corte lento. Requiere hacer más esfuerzo al cortar.

Remedio

Lime las cuchillas según el ángulo recomendado.

El ángulo de la cara superior de la placa es mayor al recomendado



Causa

Posición de la lima en un ángulo mayor al recomendado.

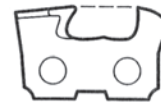
Resultado

El ángulo de corte está muy afilado pero se desgastará rápido. Corte irregular y difícil.

Remedio

Lime las cuchillas según el ángulo recomendado.

Calibrador de alta profundidad



Causa

Nunca se limaron los calibradores de profundidad.

Resultado

Corte lento. Se debe forzar la cadena para cortar. Causará desgaste excesivo del taco de la cuchilla.

Remedio

Baje los calibradores según la configuración recomendada.

Gancho en el filo cortante de la cara lateral de la placa



Causa

Posición de la lima muy baja o la lima era demasiado pequeña.

Resultado

Corte difícil. Se traba la cadena. Las cuchillas se desgastan rápidamente o no soportan un filo cortante.

Remedio

Revise el tamaño de la lima. Lime las cuchillas según el ángulo recomendado.

Inclinación del filo cortante en la cara lateral de la placa



Causa

Posición de la lima muy alta o la lima era demasiado grande.

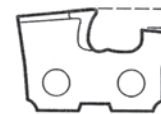
Resultado

Las cuchillas no avanzarán en la madera. Corte lento. Se debe forzar la cadena para cortar. Causa desgaste excesivo en la parte inferior.

Remedio

Lime las cuchillas según el ángulo recomendado. Revise el tamaño de la lima.

Calibrador de baja profundidad



Causa

Configuración errónea o falta de uso del calibrador.

Resultado

Corte difícil. Se traba la cadena. La sierra no hará que la cadena penetre en la madera. Desgaste excesivo del taco de la cuchilla.

Remedio

Si la profundidad de los calibradores es demasiado baja, la cadena no funciona.

Qué revisar	Posible causa	Remedio
<p>¿Arranca el motor?</p> <p>SÍ ↓</p>	<p>Arrancador autorretráctil defectuoso.</p> <p>Líquido en el cárter.</p> <p>Daños internos.</p>	<p>Consulte a un agente de servicio de Shindaiwa.</p>
<p>¿Hay buena compresión?</p> <p>SÍ ↓</p>	<p>Bujía suelta.</p> <p>Desgaste excesivo en el cilindro, el pistón o los anillos.</p>	<p>Apriete y pruebe otra vez. Consulte con un agente de servicio autorizado.</p> <p>Consulte a un agente de servicio de Shindaiwa.</p>
<p>¿Contiene el tanque combustible fresco y con el octanaje correcto?</p> <p>SÍ ↓</p>	<p>Combustible incorrecto, viejo o contaminado; mezcla incorrecta.</p>	<p>Rellene con gasolina sin plomo, reciente y limpia con un octanaje de 87 o superior, mezclada con aceite Premium de Shindaiwa para motores de dos tiempos en una proporción gasolina/aceite de 50:1.</p>
<p>¿Puede verse combustible moviéndose en la línea de retorno al cebar?</p> <p>SÍ ↓</p>	<p>Revise el filtro de combustible y el ventilador en busca de obstrucciones.</p>	<p>Reemplace el filtro de combustible o la válvula de presión según sea necesario. Vuelva a arrancar.</p>
<p>¿Hay chispas en el terminal del cable de la bujía?</p> <p>SÍ ↓</p>	<p>El interruptor de encendido está en posición de apagado "O".</p> <p>Conexión a tierra defectuosa.</p> <p>Unidad de encendido defectuosa.</p>	<p>Lleve el interruptor a la posición de encendido "I" y reinicie.</p> <p>Consulte a un agente de servicio de Shindaiwa.</p>
<p>Compruebe la bujía.</p>	<p>Si la bujía está húmeda, puede haber exceso de combustible en el cilindro.</p> <p>La bujía está obstruida o tiene una separación de electrodos incorrecta.</p> <p>La bujía puede tener daños internos o es del tamaño equivocado.</p>	<p>Retire la bujía y arranque el motor, vuelva a colocar la bujía y arranque de nuevo.</p> <p>Limpie y vuelva a calibrar la bujía a 0,6 ~ 0,7 mm./ 0.024 in. Vuelva a arrancar.</p> <p>Reemplace la bujía. Consulte la sección "Especificaciones" para la bujía correcta. Vuelva a arrancar.</p>

BAJA POTENCIA

Qué revisar	Posible causa	Remedio
<p>¿Se sobrecalienta el motor?</p>	<p>La mezcla del carburador es muy pobre.</p> <p>Proporción de combustible inapropiada.</p> <p>Ventilador, tapa del ventilador o aletas del cilindro sucios o dañados.</p>	<p>Consulte con un agente de servicio autorizado.</p> <p>Rellene con gasolina sin plomo, reciente y limpia con un octanaje de 87 o superior, mezclada con aceite Premium de Shindaiwa para motores de dos tiempos en una proporción gasolina/aceite de 50:1.</p> <p>Limpiar, reparar o sustituir en caso necesario.</p>
<p>El motor funciona bruscamente a cualquier velocidad. También puede que salga humo negro o combustible no quemado por el escape.</p>	<p>Depósitos de carbonilla en el pistón o el silenciador.</p> <p>Filtro de aire obstruido.</p> <p>Bujía suelta o dañada.</p> <p>Fuga de aire o conducto de combustible obstruido.</p> <p>Agua en el combustible.</p> <p>Pistón gripado.</p> <p>Carburador y/o diafragma defectuoso.</p>	<p>Consulte con un agente de servicio autorizado.</p> <p>Limpie o reemplace el filtro de aire.</p> <p>Apriete o cambie la bujía. Consulte la sección "Especificaciones" para la bujía correcta. Vuelva a arrancar.</p> <p>Repáre o cambie el filtro o el conducto de combustible.</p> <p>Vuelva a llenar de mezcla reciente de combustible y aceite.</p> <p>Consulte con un agente de servicio autorizado</p>
<p>El motor golpea.</p>	<p>Sobrecalentamiento.</p> <p>Combustible inadecuado.</p> <p>Depósitos de carbonilla en la cámara de combustión.</p>	<p>Consulte con un agente de servicio autorizado</p> <p>Revise el índice de octanaje del combustible; revise si el combustible contiene alcohol. Reposte cuando sea necesario.</p> <p>Consulte con un agente de servicio autorizado.</p>

Qué revisar	Posible causa	Remedio
<p>Deficiente aceleración.</p>	<p>Filtro de aire obstruido.</p> <p>Filtro de combustible obstruido.</p> <p>Mezcla de combustible/aire muy pobre.</p> <p>Ralentí ajustado muy bajo.</p>	<p>Limpie o reemplace el filtro de aire.</p> <p>Cambie el filtro de combustible.</p> <p>Consulte con un agente de servicio autorizado.</p> <p>Ajuste: 2.750 (±250) min⁻¹.</p>
<p>El motor se detiene abruptamente.</p>	<p>Interruptor en posición de apagado.</p> <p>Tanque de combustible vacío.</p> <p>Filtro de combustible obstruido.</p> <p>Agua en el combustible.</p> <p>Bujía defectuosa o terminal flojo.</p> <p>Fallo en el sistema de encendido.</p> <p>Pistón gripado</p>	<p>Restablezca el interruptor y vuelva a arrancar.</p> <p>Reposte combustible. Consulte la sección "Llenando el Tanque de Combustible".</p> <p>Cambie el filtro de combustible.</p> <p>Drene; cambie con combustible limpio. Consulte la sección "Llenando el Tanque de Combustible"..</p> <p>Limpie o reemplace la bujía. Consulte la sección "Especificaciones" para la bujía correcta. Apriete el terminal. .</p> <p>Reemplace el sistema de encendido.</p> <p>Consulte con un agente de servicio autorizado.</p>
<p>Difícil apagado del motor.</p>	<p>Cable de conexión a tierra (detenido) desconectado o llave defectuosa.</p> <p>Sobrecalentamiento debido a bujía incorrecta.</p> <p>Motor sobrecalentado.</p>	<p>Pruebe y reemplace según sea necesario.</p> <p>Reemplace la bujía. Consulte la sección "Especificaciones" para la bujía correcta.</p> <p>Deje el motor al ralentí hasta que se enfríe.</p>
<p>El accesorio de corte se mueve al ralentí del motor.</p>	<p>Ralentí demasiado alto.</p> <p>Resorte del embrague roto o resalte desgastado.</p>	<p>Fije el ralentí: 2.750 (±250) min⁻¹.</p> <p>Reemplace muelle/zapatillas según sea necesario; compruebe el ralentí.</p>
<p>Excesiva vibración.</p>	<p>Soporte del accesorio suelto.</p> <p>Accesorio torcido o dañado.</p> <p>Caja de engranajes suelta.</p> <p>Eje central doblado, cojinetes desgastados o dañados.</p>	<p>Inspeccione y vuelva a apretar los soportes con firmeza.</p> <p>Examine y cambie el accesorio según sea necesario.</p> <p>Apriete la caja de engranajes con firmeza.</p> <p>Examine y cambie según sea necesario.</p>
<p>La cadena no gira.</p>	<p>Eje no instalado en el bloque motor o la caja de engranajes.</p> <p>Eje roto.</p> <p>Caja de engranajes dañada.</p>	<p>Examine y vuelva a instalar según sea necesario.</p> <p>Consulte con un agente de servicio autorizado.</p>

Shindaiwa Corporation

Garantía limitada de defectos y diseño de emisiones federales

Motores de uso general y para parques y jardines

Shindaiwa Corporation garantiza al comprador inicial y a cada propietario siguiente, que este motor para equipos de uso general (de aquí en adelante motor) está diseñado, fabricado y equipado para cumplir, en el momento de la venta inicial, con todas las reglamentaciones vigentes de la Administración de Protección Ambiental de EE.UU. (EPA) y que no tiene defectos materiales ni de mano de obra que pudieran hacer que el motor no cumpla con las reglamentaciones de la EPA durante el período de vigencia de la garantía. Esta garantía sobre normas de emisión rige para todos los estados, excepto para el Estado de California.

Para las piezas listadas en PIEZAS CUBIERTAS, el Distribuidor autorizado por Shindaiwa Corporation efectuará, sin costo para el propietario, los diagnósticos, reparaciones o reemplazos necesarios de cualquier componente defectuoso en relación con las emisiones para asegurar que el motor cumpla con las reglamentaciones de la EPA de EE.UU. aplicables.

COBERTURA DE LA GARANTÍA DEL FABRICANTE

Cuando este equipo se vende en EE.UU., el sistema de control de emisiones del mismo está garantizado por un período de 2 (dos) años a partir de la fecha en que el producto haya sido entregado por primera vez al comprador minorista original.

RESPONSABILIDADES DEL PROPIETARIO RESPECTO DE LA GARANTÍA

Como propietario del motor, usted es responsable de la realización del mantenimiento requerido listado en su manual del propietario. Shindaiwa Corporation le recomienda conservar todos los comprobantes que cubran el mantenimiento de su motor, pero Shindaiwa Corporation no puede negar una reclamación de garantía exclusivamente debido a la falta de comprobantes o porque usted no pueda asegurar la realización de todos los mantenimientos programados.

Como propietario del motor, usted deberá sin embargo estar enterado de que Shindaiwa Corporation podrá negarle cobertura de garantía si el motor o alguna pieza ha fallado debido a uso abusivo, negligencia, mantenimiento inadecuado o modificaciones no autorizadas.

Usted es responsable de la presentación del motor al distribuidor autorizado de Shindaiwa Corporation más cercano cuando exista algún problema.

Si el distribuidor Shindaiwa no puede responder su pregunta con respecto a sus derechos y responsabilidades de garantía, deberá entonces comunicarse con su distribuidor regional de Shindaiwa.

Para obtener el nombre y el número telefónico del distribuidor de Shindaiwa en su localidad, comuníquese con Shindaiwa Inc., al (503) 692-3070 de 8:00 a.m. a 5:00 p.m., hora del Pacífico.

PIEZAS CUBIERTAS

A continuación se listan las piezas cubiertas por la garantía de diseño federal de emisiones y defectos. Algunas partes mencionadas a continuación pueden requerir mantenimiento periódico y están garantizadas hasta el primer reemplazo programado de las mismas. Las partes garantizadas incluyen:

1. Componentes internos del carburador
 - Armado y medición del chorro y el diafragma
2. Componentes del sistema de encendido
 - Bobina de encendido
 - Rotor del volante

El sistema de control de emisiones del motor Shindaiwa puede también incluir ciertas mangueras y conexiones afines.

LIMITACIONES

La garantía por diseño federal de emisiones y defectos no cubrirá nada de lo siguiente:

- (a) Condiciones que resulten de una intervención no autorizada, un mal uso, un ajuste inapropiado (a menos de que los hubieran efectuado un distribuidor o un centro de servicio autorizado de Shindaiwa Corporation, en el curso de una reparación de garantía), una alteración, accidente, omisión en el uso del combustible y aceite recomendados o de una omisión en el cumplimiento de los servicios de mantenimiento requeridos,

- (b) Los repuestos usados para los servicios de mantenimiento requeridos,
- (c) Partes consecuenciales utilizadas para efectuar los servicios de mantenimiento requeridos,
- (d) Cuotas de diagnóstico e inspección que no resulten en servicios cubiertos por la garantía,
- (e) Todo repuesto no autorizado o la falla de partes autorizadas que pudieran deberse al uso de partes no autorizadas.

REQUISITOS DE MANTENIMIENTO Y REPARACIÓN

Usted es responsable del uso y mantenimiento correctos del motor. Usted deberá conservar todos los comprobantes y registros de mantenimiento que cubran la realización de mantenimiento regular en caso de que surjan preguntas. Estos comprobantes y los registros de mantenimiento deberán ser transferidos a cada propietario subsiguiente del motor. Shindaiwa Corporation se reserva el derecho a negar la cobertura de garantía si el propietario no ha mantenido correctamente el motor. Shindaiwa Corporation, sin embargo, no negará reparaciones bajo garantía por el solo hecho de no haberse efectuado reparaciones o mantenimiento o por la omisión de mantener registros de mantenimiento.

EL MANTENIMIENTO, REEMPLAZO O REPARACIÓN DE DISPOSITIVOS Y SISTEMAS DE CONTROL DE EMISIONES PUEDE SER REALIZADO POR CUALQUIER ESTABLECIMIENTO O PERSONA DEDICADOS A ELLO; SIN EMBARGO, LAS REPARACIONES CUBIERTAS POR LA GARANTÍA DEBEN SER LLEVADAS A CABO POR UN DISTRIBUIDOR O CENTRO DE SERVICIO AUTORIZADO POR - EL EMPLEO DE PIEZAS QUE NO SON EQUIVALENTES EN RENDIMIENTO Y DURABILIDAD A LAS PIEZAS AUTORIZADAS PUEDE REDUCIR LA EFECTIVIDAD DEL SISTEMA DE CONTROL DE EMISIONES Y PUEDE AFECTAR EL RESULTADO DE UNA RECLAMACIÓN DE GARANTÍA.

Si se utilizaran piezas no autorizadas por Shindaiwa Corporation para reemplazos por mantenimiento o reparación de componentes que afecte el control de emisiones, se deberá asegurar que dichas piezas estén garantizadas por el fabricante como equivalentes a las piezas autorizadas por Shindaiwa Corporation en lo relativo al rendimiento y durabilidad.

SOLICITUDES DE SERVICIO DE GARANTÍA

Toda reparación realizada conforme a los términos de esta garantía limitada deberá ser llevada a cabo por un distribuidor autorizado por Shindaiwa Corporation

Si cualquier pieza vinculada con las emisiones es encontrada defectuosa durante el período de garantía, es su responsabilidad presentar el producto a un distribuidor autorizado de Shindaiwa. Presente sus comprobantes de venta en los que aparezca la fecha de compra del motor. El distribuidor autorizado de Shindaiwa Kogyo Co. Ltd. llevará a cabo las reparaciones o ajustes necesarios en un lapso razonable, suministrándole una copia de dicha orden de reparación. Todas las piezas y accesorios reemplazados bajo esta garantía pasarán a ser propiedad de Shindaiwa Corporation

Para localizar a un agente de servicio Shindaiwa más cercano a usted, favor de ponerse en contacto con su distribuidor Shindaiwa. Para obtener el nombre y el número telefónico del distribuidor de Shindaiwa en su localidad, comuníquese con Shindaiwa Inc., al (503) 692-3070 de 8:00 a.m. a 5:00 p.m., hora del Pacífico.

ESTA GARANTÍA ES ADMINISTRADA POR:

Shindaiwa Inc.
11975 S.W. Herman Rd.
Tualatin OR 97062
(503) 692-3070

Notas

Español

shindaiwa®

Shindaiwa Inc.
11975 SW Herman Rd.
Tualatin, Oregon 97062 U.S.A.
Teléfono: 503 692-3070
Fax: 503 692-6696
www.shindaiwa.com

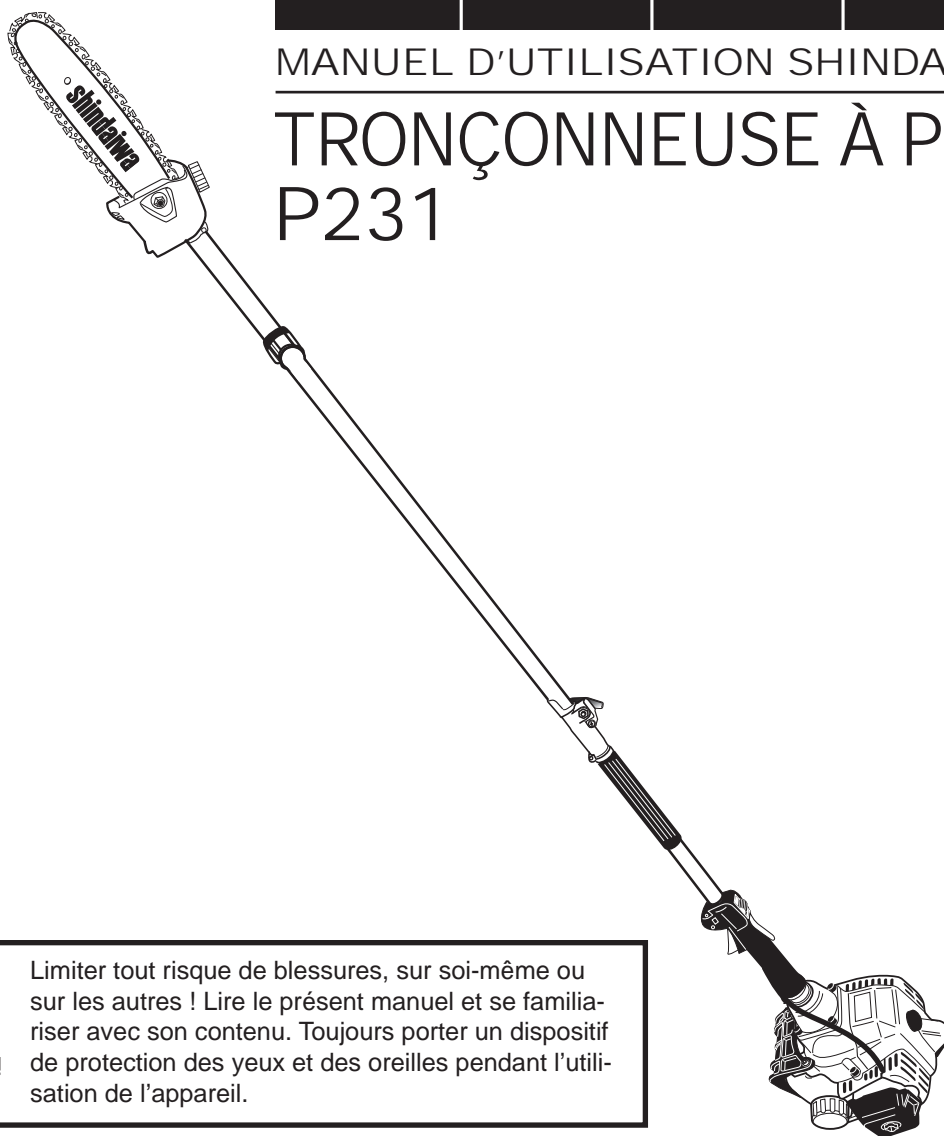
Shindaiwa Corporation
6-2-11, Ozuka-Nishi,
Asaminami-Ku, Hiroshima
731-3167, Japan
Teléfono: 81-82-849-2220
Fax: 81-82-849-2481

© 2007 Shindaiwa, Inc.
Numero 62888-94013
Revision 10/07

Shindaiwa es una marca registrada de la empresa
Shindaiwa, Inc.
Especificaciones sujetas a cambio sin previo aviso.

MANUEL D'UTILISATION SHINDAIWA

TRONÇONNEUSE À PERCHE P231



AVERTISSEMENT !

Limiter tout risque de blessures, sur soi-même ou sur les autres ! Lire le présent manuel et se familiariser avec son contenu. Toujours porter un dispositif de protection des yeux et des oreilles pendant l'utilisation de l'appareil.

shindaiwa®

Numéro de référence 62888-94013 Rév. 1/07

Introduction

La tronçonneuse à perche Shindaiwa P230/P230s a été conçue et fabriquée dans le but d'offrir des performances et une fiabilité supérieures sans compromettre la qualité, le confort, la sécurité ou la durabilité. Les moteurs Shindaiwa sont à la fine pointe de la technologie des moteurs à deux temps et offrent un rendement exceptionnel, avec une cylindrée remarquablement basse et une conception des plus légères. Comme propriétaire ou utilisateur, vous comprendrez vite pourquoi Shindaiwa est tout simplement une classe en soi !

IMPORTANT !

Les informations contenues dans le présent guide décrivent les appareils disponibles au moment de la publication.

Shindaiwa Inc. se réserve le droit d'apporter des modifications au produit sans préavis et se dégage de toute obligation d'apporter des modifications aux appareils déjà fabriqués.

AVERTISSEMENT !

Les échappements du moteur de ce produit contiennent des substances chimiques répertoriées en Californie comme susceptibles de causer le cancer, des anomalies congénitales ou d'autres affections congénitales.

Table des matières

PAGE

Mises en garde.....	FR_2
Nomenclature.....	FR_6
Caractéristiques techniques.....	FR_6
Assemblage.....	FR_8
Réglage de la chaîne.....	FR_10
Huileur de chaîne.....	FR_10
Mélange de carburant.....	FR_11
Remplissage du réservoir de carburant.....	FR_11
Démarrage du moteur.....	FR_12
Arrêt du moteur.....	FR_13
Utilisation de la tronçonneuse.....	FR_14
Entretien.....	FR_15
Remisage à long terme.....	FR_16
Guide de dépannage.....	FR_19
Garantie fédérale limitée.....	FR_21

Mises en garde

Des « mises en garde » spéciales apparaissent tout au long du manuel.

DANGER !

Un énoncé précédé de la mention « DANGER » contient des informations à prendre en compte pour éviter des blessures graves, voire mortelles.

AVERTISSEMENT !

Un énoncé précédé du symbole triangulaire de mise en garde et du mot « AVERTISSEMENT » contient des informations à prendre en compte pour éviter des blessures graves.

MISE EN GARDE !

Un énoncé précédé du mot « MISE EN GARDE » contient des informations dont il faut tenir compte pour éviter d'endommager l'appareil.

IMPORTANT !

Un énoncé précédé du mot « IMPORTANT » contient des informations d'une importance particulière.

REMARQUE :

Un énoncé précédé du mot « REMARQUE » contient des informations utiles pouvant faciliter votre travail.

IMPORTANT !

Les procédures décrites dans ce manuel visent à vous aider à tirer le maximum de votre appareil et à vous protéger (vous-même et les autres) contre les blessures. Ces procédures constituent des lignes directrices de l'utilisation de l'appareil en toute sécurité dans la plupart des situations mais elles ne remplacent d'aucune façon d'autres mesures de sécurité ni les lois en vigueur dans votre région. Pour toute question sur votre appareil ou pour toute clarification sur les informations contenues dans le présent manuel, votre vendeur Shindaiwa se fera un plaisir de vous aider. Pour toute information complémentaire, vous pouvez également contacter Shindaiwa, Inc. à l'adresse imprimée au verso du manuel.

Les étiquettes d'avertissement apposées sur l'appareil sont les suivantes :



Lire et suivre les consignes exposées dans le présent manuel et s'assurer que les utilisateurs de l'appareil font de même. Dans le cas contraire, des blessures physiques graves ou une défaillance de l'appareil pourraient s'ensuivre. Conserver le manuel pour référence ultérieure.



Toujours porter un casque de sécurité afin de réduire le risque de blessure à la tête pendant l'utilisation de cet appareil. Par ailleurs, toujours porter des dispositifs de protection des yeux et des oreilles. Shindaiwa recommande aux utilisateurs de porter une visière de protection afin de protéger correctement les yeux et le visage.



Porter des gants de travail antidérapants assurant une meilleure prise sur la poignée de l'appareil. Porter des chaussures robustes munies de semelles à crampons pour une meilleure stabilité. Il est recommandé de porter des chaussures à embouts d'acier. Porter des vêtements ajustés qui facilitent la liberté du mouvement.



Ne jamais utiliser l'appareil si vous êtes fatigué, sous l'influence d'alcool, de drogues ou de toute autre substance qui pourrait nuire à votre concentration ou à votre jugement.



Tenir les observateurs à 15 mètres au moins de l'aire d'utilisation de l'appareil afin d'éviter qu'ils ne soient blessés par des chutes d'objets ou des projections de débris.



Ne jamais utiliser l'appareil à un angle supérieur à 60° afin d'éviter d'être blessé par des chutes d'objets pendant l'utilisation de l'appareil.



Le coincement de la chaîne de la scie à chaîne au niveau du bord supérieur du guide-chaîne peut provoquer un recul rapide du guide-chaîne en direction de l'utilisateur. La lame se coince quand le bois **compresse la chaîne en mouvement**.



Attention au recul ! Le recul de la lame peut survenir quand l'extrémité du guide-chaîne entre en contact avec un objet pendant que la scie est en mouvement. Le recul risque de projeter le guide-chaîne vers le haut puis vers l'arrière à une vitesse fulgurante.

Consignes de sécurité



DANGER !



L'APPAREIL N'EST PAS ISOLÉ
CONTRE LES DÉCHARGES
ÉLECTRIQUES !

Positionner l'appareil à proximité ou en contact avec un fil électrique peut provoquer la mort ou des blessures graves. Maintenir l'appareil à 10 mètres au moins de tout fil électrique ou de toute branche qui se trouve en contact avec des fils électriques.

Une tronçonneuse à perche fonctionne à très haute vitesse et peut causer des blessures graves en cas d'utilisation abusive, inappropriée ou imprudente. Pour réduire le risque de blessures, toujours s'assurer de maîtriser l'appareil et observer toutes les consignes de sécurité pendant son fonctionnement. Ne jamais laisser l'appareil entre les mains d'une personne qui n'a pas lu les consignes d'utilisation.

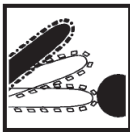


AVERTISSEMENT !

Les phénomènes de rebond et de coincement peuvent provoquer une perte de contrôle de l'appareil et exposer à des blessures physiques graves. Ne jamais **se fier uniquement aux dispositifs de sécurité intégrés à l'appareil !** Prendre plusieurs dispositions afin d'éviter tout accident ou blessure pendant les travaux de coupe :

- Comprendre en quoi consistent le rebond et le coincement ! Ceci permet de réduire ou d'éliminer le facteur de surprise. Le facteur de surprise contribue aux accidents.

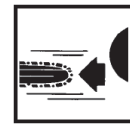
- Tenir fermement l'appareil des deux mains lorsque le moteur est en marche. Une prise ferme permet de réduire les phénomènes de rebond et de coincement, tout en gardant un bon contrôle de l'appareil.
- S'assurer que la zone de travail n'est pas encombrée de quelque manière. Éviter tout contact involontaire entre le guide-chaîne et une bûche, une branche ou tout autre obstacle pendant l'utilisation de la tronçonneuse à perche.
- Réaliser les coupes à haut régime.
- Suivre les consignes du fabricant pour l'affûtage et l'entretien de la chaîne.
- Utiliser uniquement des guides-chaîne et des chaînes de rechange conformes aux spécifications du fabricant.



Attention au rebond !

Le rebond peut survenir quand l'extrémité du guide-chaîne entre en contact

avec un objet pendant que la scie est en mouvement. Le rebond risque de projeter le guide-chaîne vers le haut puis vers l'arrière à une vitesse fulgurante !



Attention au coincement.

Le coincement de la chaîne au niveau de l'extrémité du guide-chaîne peut provoquer un rebond rapide du guide-chaîne en direction de l'utilisateur. La chaîne se coince quand le bois comprime la chaîne en mouvement.

Équipement complet de l'utilisateur

Toujours porter des dispositifs de protection des yeux et des oreilles. Shindaiwa recommande aux utilisateurs de porter une visière de protection afin de protéger correctement les yeux et le visage.

Toujours porter un casque de sécurité afin de réduire le risque de blessure à la tête pendant l'utilisation de cet appareil.

Porter des gants de travail antidérapants assurant une meilleure prise sur la poignée de l'appareil. Porter des vêtements ajustés qui facilitent la liberté du mouvement. NE JAMAIS porter de shorts !

Porter des chaussures robustes munies de semelles à crampons pour une meilleure stabilité. Il est recommandé de porter des chaussures à embouts d'acier. Ne jamais utiliser cet appareil nu-pieds !



Ne jamais utiliser l'appareil à un angle supérieur à 60° afin d'éviter d'être blessé par des chutes d'objets pendant l'utilisation de l'appareil.

Toujours garder les deux mains fermement agrippées sur l'appareil.

Garder le pied ferme et ne pas tendre le bras trop loin. Garder l'équilibre à tout moment lors du fonctionnement de l'appareil.

Tenir les observateurs à 15 mètres au moins de l'aire d'utilisation de l'appareil afin d'éviter qu'ils ne soient blessés par des chutes d'objets ou des projections de débris.

Consignes d'utilisation



AVERTISSEMENT !

- S'assurer que la chaîne et le pignon sont réglés de manière appropriée avant d'utiliser l'appareil (consulter les procédures de réglage, page 10). Ne jamais tenter de régler la chaîne pendant que le moteur fonctionne !
- Toujours s'assurer que l'accessoire de coupe est correctement installé et fermement serré avant toute utilisation.
- Ne jamais utiliser un guide-chaîne fendillé ou tordu : le remplacer par un guide-chaîne en bon état et s'assurer que celui-ci fonctionne correctement.
- En cas de coincement de la chaîne pendant la coupe, arrêter l'appareil immédiatement. Pousser la branche ou l'arbre pour décrocher et dégager la chaîne.
- S'assurer qu'aucune vis n'est desserrée ou manquante et que l'interrupteur d'allumage et l'accélérateur fonctionnent correctement.
- Avant de démarrer le moteur, s'assurer que rien n'obstrue le mouvement de la chaîne.
- S'assurer qu'il y a toujours une bonne ventilation lors de l'utilisation de l'appareil. Les gaz émanant du tuyau d'échappement peuvent causer des blessures graves, voire mortelles. Ne jamais faire fonctionner le moteur à l'intérieur.
- Ne pas utiliser l'appareil sans le silencieux.
- Lors de la coupe d'une branche arquée sous tension, toujours anticiper l'effet de « ressort » afin de ne pas risquer d'être frappé par la branche.
- Toujours arrêter le moteur immédiatement et vérifier si l'outil de coupe est endommagé après avoir percuté un obstacle, ou si l'appareil devient instable. Ne pas utiliser un accessoire brisé ou endommagé.
- Arrêter immédiatement l'appareil s'il se met à vibrer ou s'il devient instable. Inspecter l'appareil pour détecter toute pièce ou tous accessoires brisés, mal installés ou manquants éventuels.
- Ne jamais transporter l'appareil ou le poser pendant que le moteur fonctionne. Lorsqu'il fonctionne, le moteur peut accélérer accidentellement et entraîner la chaîne.
- S'assurer que le protecteur de chaîne est installé avant de transporter et remiser l'appareil.
- Lors du transport de l'appareil à la main, orienter la chaîne vers l'arrière.

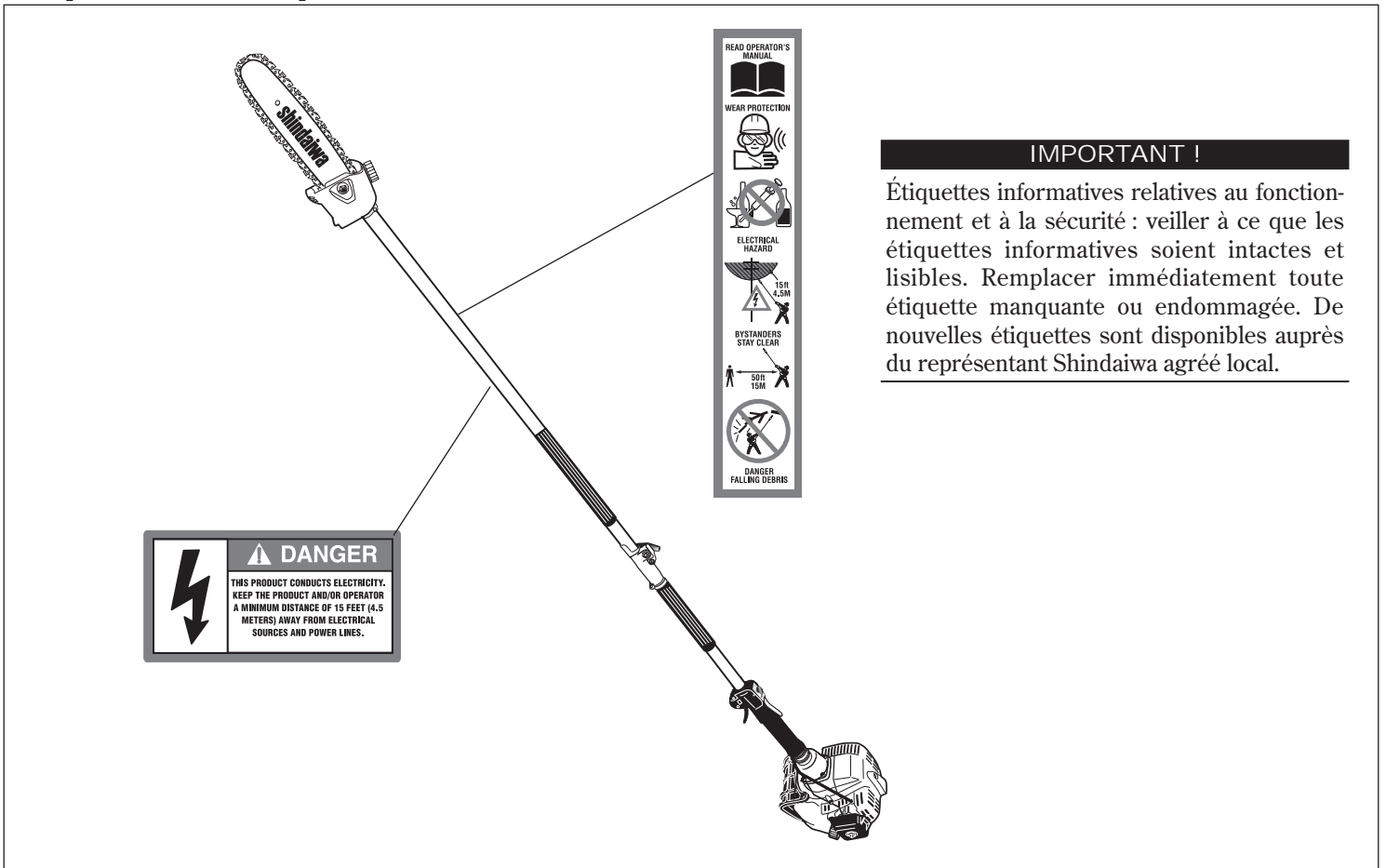
Consignes d'utilisation (suite)



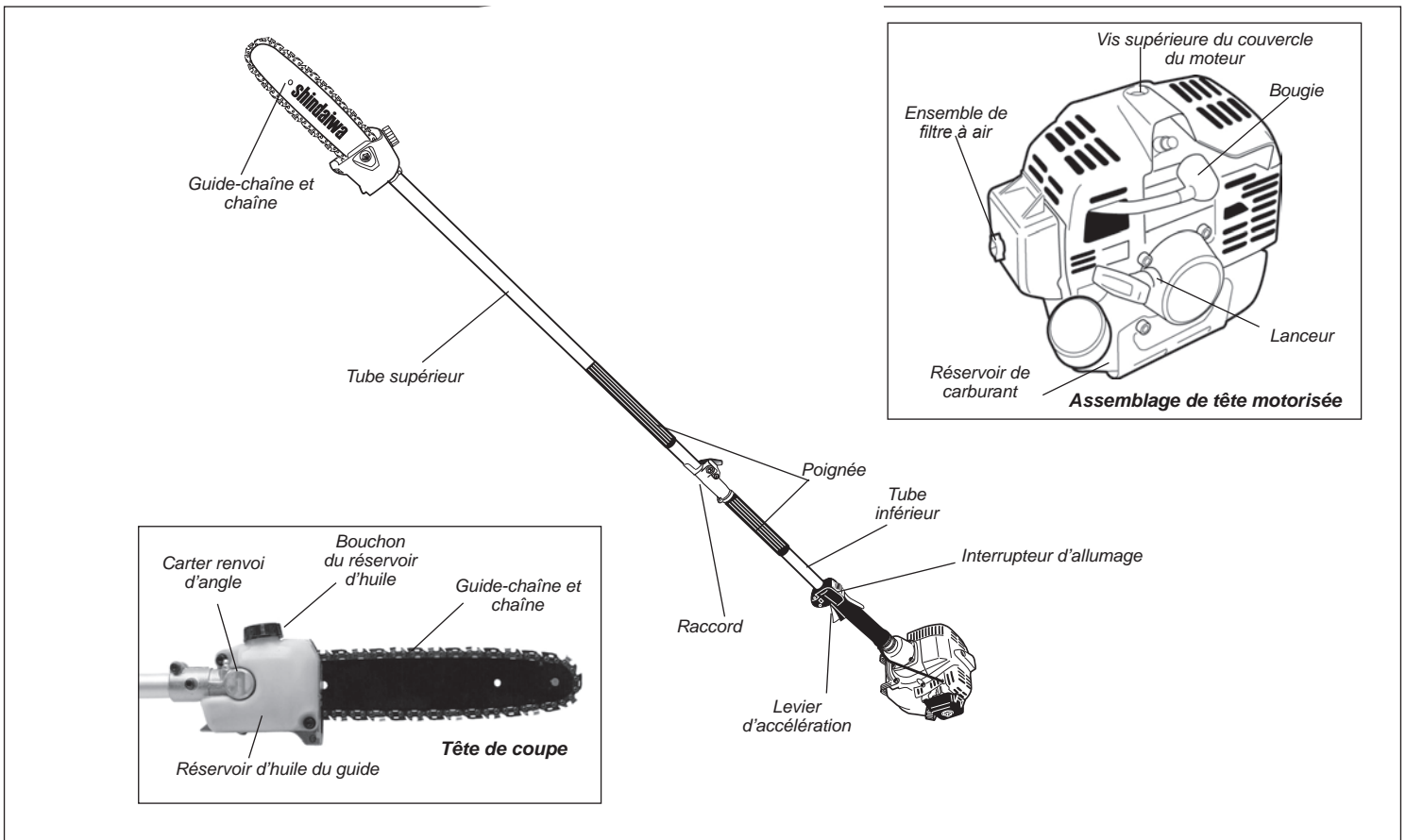
MISE EN GARDE !

- Toujours entretenir la tronçonneuse à perche P230/P230s conformément aux directives exposées dans le manuel d'utilisation et respecter le programme d'entretien recommandé.
- Ne jamais modifier ni désactiver les dispositifs de sécurité de la tronçonneuse.
- Toujours utiliser des pièces et les accessoires d'origine pour réparer ou entretenir l'appareil.
- Ne jamais apporter de modification ni de substitution non autorisée au guide-chaîne ou à la chaîne.
- Ne jamais faire fonctionner le moteur à haut régime sans charge. Cela pourrait endommager le moteur.
- Pour transporter l'appareil dans un véhicule, l'attacher solidement pour éviter le déversement de carburant ou d'endommager l'appareil.
- Toujours dégager votre espace de travail de tout rebut ou débris dissimulé afin de garantir la stabilité de vos appuis.
- S'assurer que la chaîne est toujours bien affûtée et correctement réglée.
- Tenir l'accessoire aussi propre que possible. Enlever toute accumulation d'herbes, terre, etc.

Étiquettes et dispositifs de sécurité



Nomenclature



Caractéristiques techniques

Poids net	6,1 kg/13,4 lb
Longueur avec le guide 10"	2804 mm/110,4 in
Type de moteur	deux temps, refroidissement à l'air, cylindre vertical
Alésage x course	32 x 28 mm/1,3 x 1,1 in
Cylindrée.....	22,5 cc/1,4 cu, in
Puissance maximale	0,8kW/1,1 hp @ 7500 min ⁻¹ (rpm)
Rapport huile/carburant	50:1
Capacité du réservoir	670 ml/22,7 oz
Carburateur	Walbro WYL-122
Système d'allumage	Monobloc par transistor
Bougie	NGK BMR6A
Filtre à air.....	Filtre à air floqué nonreversible
Muffler Type.....	2-Stage Catalyst
Démarrage.....	À rappel
Cooling System.....	Air pulsé
Arrêt	Interrupteur à glissoire

Type de transmission.....	automatique, embrayage centrifuge, engrenage angulaire
Guide-chaîne	3/8 po pitch, ,043 po Épaisseur, 10 po Micro Lite™
Type de chaîne	3/8 po Épaisseur Micro Lite™, 0,43 po gauge
Pignon	3/8-po, fixe
Rapport de transmission	1,06 : 1
Vitesse de la chaîne	23,5 m (77 ft)/sec. @ 10,000 min ⁻¹ (rpm)
Lubrification de la chaîne	Automatic adjustable oiler
Lubrifiant de la chaîne	Huile de première qualité Shindaiwal
Guides facultatifs.....	8 po ou 12 po
EPA Emission	
Période de conformité*	Catégorie A

* La référence à la conformité à l'EPA sur l'étiquette de conformité du dispositif antipollution du moteur indique le nombre d'heures de fonctionnement pendant lesquelles le moteur reste conforme aux prescriptions relatives aux émissions. Catégorie C = 50 heures (Modéré), B = 125 heures (Intermédiaire) et A = 300 heures (Prolongé).

Français

Avant l'assemblage

Se reporter à la figure ci-dessus et prendre le temps de se familiariser avec la tronçonneuse à perche. Shindaiwa P230/P230s et ses différents composants. Comprendre l'appareil permet d'obtenir une performance optimale, de prolonger sa vie utile et favorise une utilisation plus sécuritaire.

Avant d'assembler l'appareil, s'assurer que tous les composants requis pour l'appareil sont présents :

- Tête motorisée
- Tube inférieur
- Tube supérieur, guide-chaîne et chaîne
- Protecteur de chaîne
- Trousse à outils contenant :
 - Clé de bougie
 - Clé hexagonale de 4 mm
 - Clé plate de 8 x 10 mm

S'assurer qu'aucun composant n'est endommagé.

IMPORTANT !

Les termes « gauche », « à gauche » et « vers la gauche » ; « droite », « à droite » et « vers la droite » ; « avant » et « arrière » font référence à la direction telle que vue par l'opérateur lors d'une utilisation normale de l'appareil.



AVERTISSEMENT !

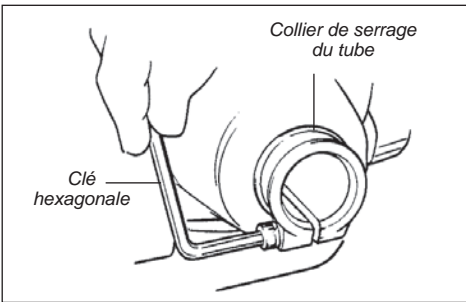
Ne pas apporter de modifications non autorisées à votre appareil ou à ses composantes.

Options du guide-chaîne et de la chaîne

Guide-chaîne de 8 po — Chaîne 90SG-33E
Guide-chaîne de 10 po — Chaîne 90SG-39E
Guide-chaîne de 12 po — Chaîne 90SG-44E

Montage de la tête motorisée

1. Placer la tête motorisée sur une surface propre et plane, en l'orientant vers le haut.
2. Desserrer la vis du collier de serrage du tube à l'aide de la clé hexagonale de 4 mm. S'assurer que la cale d'épaisseur en forme de "D" est positionnée tel qu'illustré.

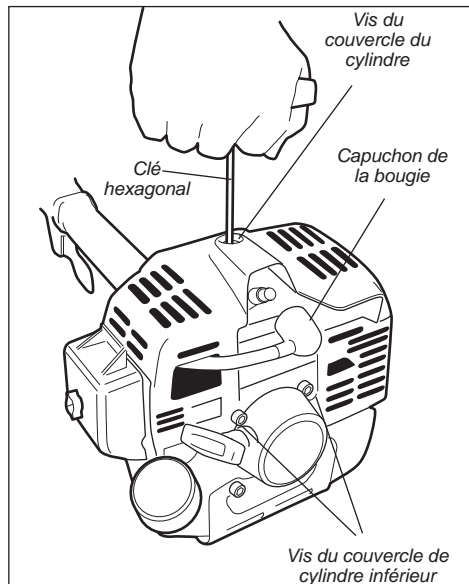


3. Ajouter de la graisse de type moly EP sur les cannelures, à l'extrémité de l'axe principal.

Raccord du câble d'accélération

Enlever le couvercle du cylindre

1. Enlever le capuchon de la bougie.
2. Enlever les deux vis du couvercle de cylindre inférieur.
3. Desserrer le vis du couvercle du cylindre supérieure (la vis est capturée) puis enlever le couvercle du cylindre.

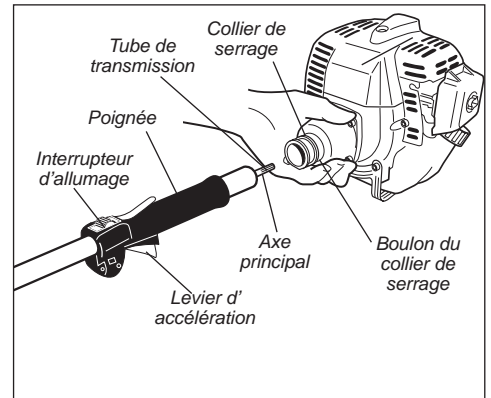


MISE EN GARDE !

Ne pas forcer en insérant le tube de l'axe dans la tête motorisée ! Une contrainte excessive peut endommager l'axe du tube et l'axe principal.

4. Glisser le tube de transmission dans le collier de serrage du tube jusqu'à ce que le tube arrive en butée. Si l'installation s'avère difficile, faire pivoter légèrement le tube de transmission ou l'axe principal jusqu'à ce que les cannelures de l'axe principal s'enclenchent correctement dans la tête motorisée. Insérer le tube de transmission de façon à ce que l'extrémité de la poignée touche le collier de serrage.
5. Positionner le tube de transmission de sorte que l'interrupteur d'allumage soit orienté vers le haut et le levier d'accélération orienté vers le bas.

6. Glisser le tube extérieur dans la tête motorisée jusqu'à ce que la poignée de l'accélérateur appuie contre le collier de serrage.
7. Serrer fermement le boulon du collier de serrage.

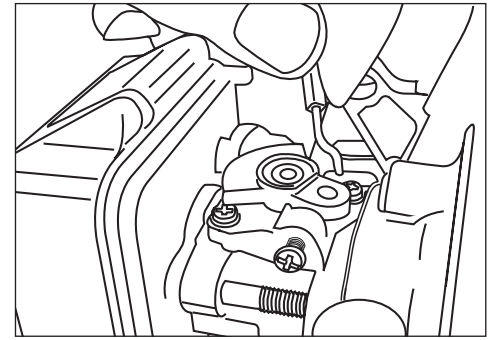
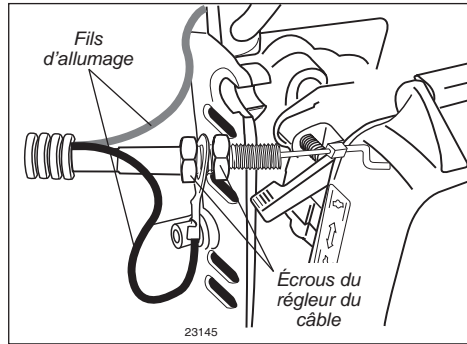


Assemblage (suite)

Raccord du câble d'accélération

Raccorder le câble d'accélération

1. Passer le câble torsadé sur le collier de serrage du tube jusqu'à la partie supérieure gauche du moteur.
2. Installer le fil noir entre les deux écrous du réglage du câble tel qu'indiqué.
3. Brancher l'extrémité du câble d'accélération en forme de "S" au levier d'accélération au-dessus du carburateur.



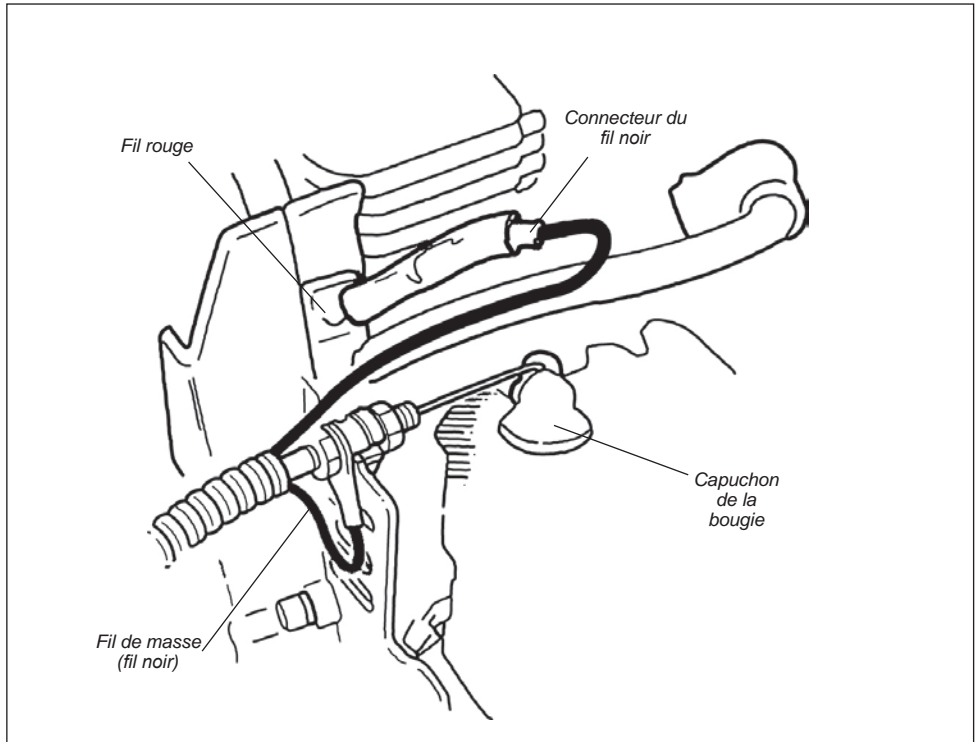
Réglage du câble d'accélération

1. Insérer le câble d'accélération dans l'encoche du couvercle du boîtier de ventilation, et fixer le connecteur du fil noir entre le couvercle du boîtier de ventilation et les écrous de réglage du câble.

IMPORTANT !

Ajuster et serrer les écrous du câble jusqu'à ce que le jeu de garde de la gâchette d'accélération soit d'environ 1/4 po.

2. Serrer les deux écrous de réglage du câble d'accélération.
3. Par une simple pression du doigt, brancher le fil noir du câble du tube au fil d'allumage rouge de la tête motorisée. Le cheminement des câbles doit correspondre à celui figurant sur l'illustration; le fil noir situé au-dessus du fil des bougies.
4. Remettre le couvercle du moteur et serrer la vis de retenue du couvercle du moteur. Remettre les vis inférieures du couvercle du moteur.
5. Remettre le capuchon de la bougie.



MISE EN GARDE !

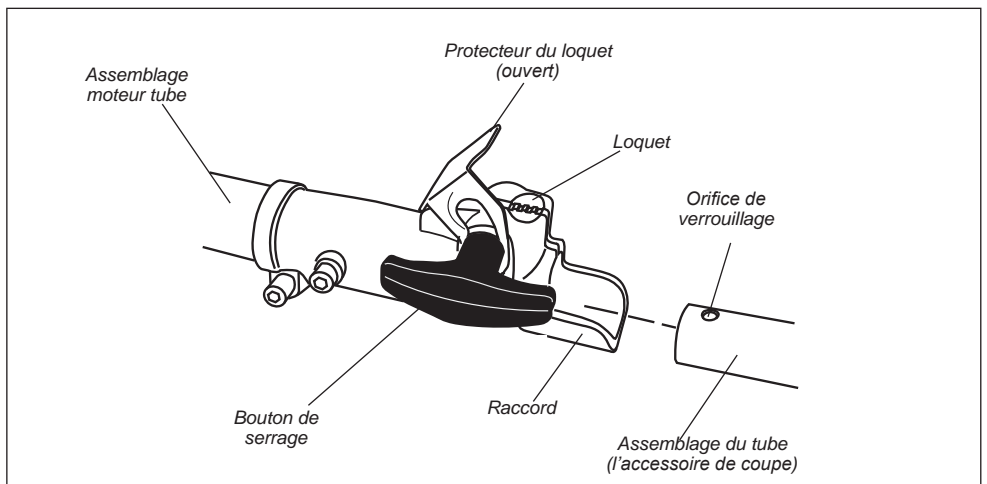
Le cheminement des câbles ne doit pas gêner le mouvement l'accélérateur.

Assemblage les éléments du tube

1. Déposer la tête motorisée/les tubes inférieur et supérieur sur une surface plane et propre de manière à ce que les deux éléments soient alignés bout à bout. La tête motorisée doit être orientée vers le haut et l'accessoire de coupe doit être positionné de manière à ce que l'orifice de verrouillage du tube soit orienté vers le haut.

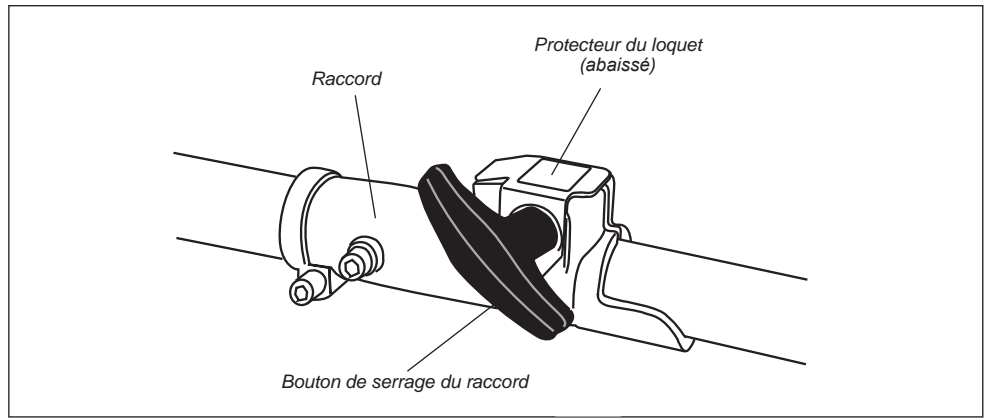
MISE EN GARDE !

Garder les extrémités ouvertes des tubes propres et sans débris.



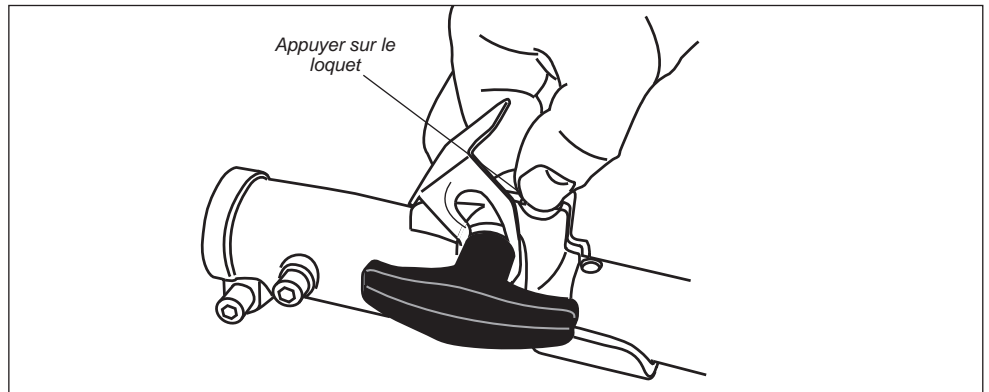
Assemblage (suite)

- Retirer les membranes protectrices des extrémités des tubes, et desserrer le bouton de serrage du raccord.
- Insérer le tube de l'accessoire de coupe détachable dans le raccord en orientant le repère de positionnement vers le haut, jusqu'à ce que le trait soit parfaitement aligné avec l'extrémité du raccord.
- Tourner l'accessoire de gauche à droite jusqu'à ce que le loquet du raccord s'engage.
- Après avoir joint les deux moitiés de chaque tube, appuyer sur le protecteur du loquet à ressort et serrer la vis de serrage du raccord.



Désassemblage des éléments

- Déposer l'appareil sur une surface plane et propre et desserrer le bouton de serrage de raccord. Le protecteur du loquet à ressort se soulève.
- Appuyer sur le loquet à l'aide du pouce ou d'un doigt pour déverrouiller le raccord. Cette pression libérera le verrou du raccord.
- Glisser l'accessoire de coupe détachable à l'extérieur du raccord.



Installation et réglage du guide-chaîne et de la chaîne

Installation de la chaîne



AVERTISSEMENT !

Ne jamais tenter d'installer, de remplacer ou de régler la chaîne pendant que le moteur fonctionne.



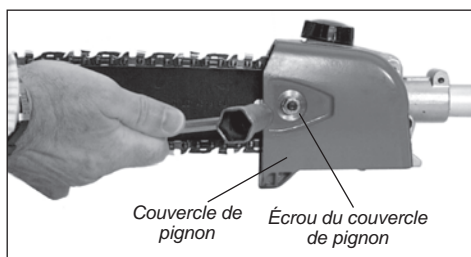
AVERTISSEMENT !

La chaîne est très coupante. Porter les gants pour se protéger les mains lors de toute manipulation.

REMARQUE :

Pour accroître la durée utile de la chaîne, baigner la nouvelle chaîne ou la chaîne de remplacement dans de l'huile pendant une journée avant de l'installer.

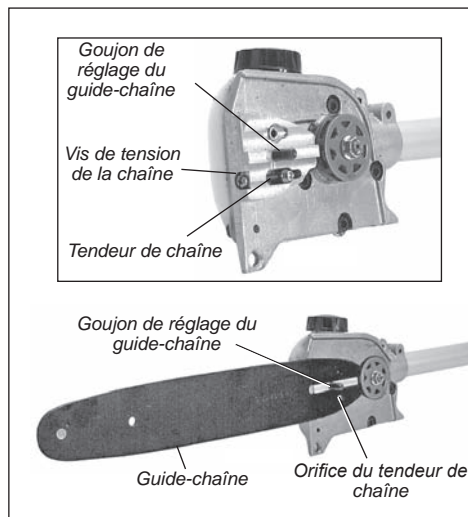
- Utiliser l'extrémité la plus petite de la clé à bougie pour enlever l'écrou du couvercle du pignon (en sens antihoraire) et enlever le couvercle du pignon.



MISE EN GARDE !

Aligner le guide-chaîne sur le tendeur de chaîne comme indiqué, autrement le couvercle du pignon, le guide-chaîne, le tendeur de chaîne et la tête de coupe risquent d'être endommagés.

- Placer le guide-chaîne sur le goujon de réglage du guide de la tête de coupe. Mettre le tendeur de chaîne au même niveau que l'orifice du guide-chaîne.



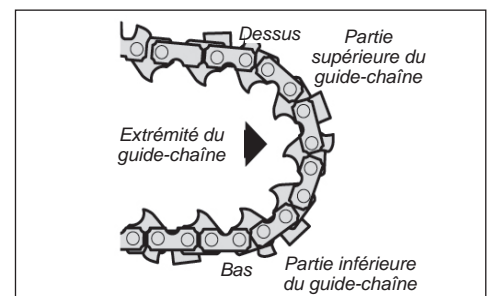
- Installer la chaîne sur les maillons d'entraînement dans la rainure du guide-chaîne, puis aligner la chaîne sur le pignon d'entraînement. Vérifier que les gouges sont orientées de manière adéquate, comme indiqué sur la figure. En cas de difficulté de montage de la chaîne ou si celle-ci semble trop tendue, se reporter à la section « Réglage de la chaîne » à la page suivante.



AVERTISSEMENT !

Ne jamais utiliser l'appareil si le couvercle du pignon n'est pas installé.

- Installer le couvercle du pignon sur le goujon du guide-chaîne. Installer l'écrou du couvercle de pignon en serrant à la main uniquement.
- Se reporte à la page suivante pour les procédures de réglage de chaîne.



Réglage de la chaîne



AVERTISSEMENT !

Ne jamais tenter d'installer, de remplacer ou de régler la chaîne pendant que le moteur fonctionne.



AVERTISSEMENT !

La chaîne est très coupante. Porter les gants pour se protéger les mains lors de toute manipulation.

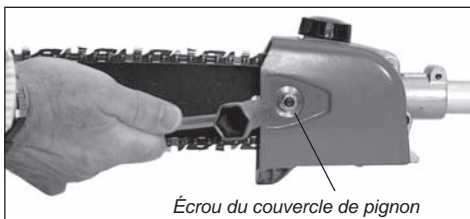
MISE EN GARDE !

Une chaîne détendue risque de sauter subitement du guide-chaîne et d'endommager la chaîne et l'équipement. Toujours s'assurer que la chaîne est correctement réglée, notamment lorsqu'il s'agit d'une nouvelle chaîne.

IMPORTANT !

Il est essentiel que la chaîne soit réglée correctement pour obtenir un rendement optimal, prolonger la durée utile de l'appareil et assurer la sécurité de l'utilisateur. Toujours vérifier la tension de la chaîne avant de faire fonctionner l'émondoir.

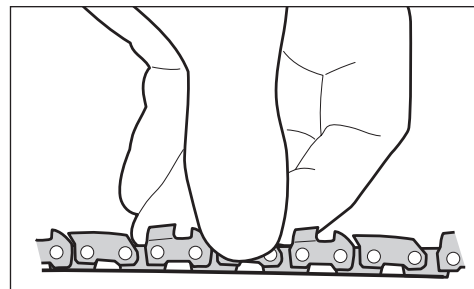
1. Placer l'appareil sur une surface plane et propre. (Pour procéder à un nouveau réglage pendant l'utilisation, arrêter le moteur, puis laisser le guide-chaîne et la chaîne refroidir avant de procéder au réglage.)
2. Desserrer l'écrou du couvercle de pignon à l'aide de la clé à bougie.



Écrou du couvercle de pignon

3. Soulever la pointe du guide-chaîne tout en tournant la vis de tension de la chaîne.
 - En sens horaire pour tendre la chaîne.
 - Dans le sens contraire des aiguilles d'une montre pour détendre la chaîne.

4. Tendre la chaîne le long de la partie supérieure du guide à la main à plusieurs reprises, du moteur vers l'extrémité du guide-chaîne. La chaîne doit être serrée mais glisser librement.
5. Serrer fermement l'écrou du couvercle de pignon tout en soulevant la partie supérieure du guide-chaîne.



6. Inspecter la chaîne pour en vérifier le réglage (notamment lorsqu'il s'agit d'une nouvelle chaîne). La chaîne doit être serrée mais glisser librement.

Huileur de chaîne



AVERTISSEMENT !

Ne jamais remplir le réservoir d'huile ou régler le débit lorsque le moteur fonctionne.

IMPORTANT !

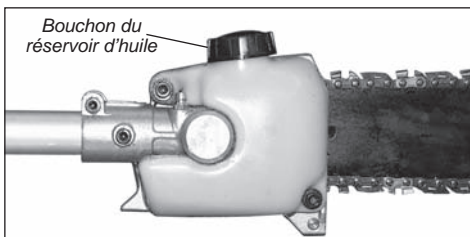
La durée utile de la chaîne et du guide-chaîne dépend de la qualité du lubrifiant. L'utilisation d'un lubrifiant de qualité supérieure, tel qu'une huile de première qualité Shindaiwa pour guide et chaîne, garantit la longue durée utile de votre outil. Pour l'utilisation par temps froid, mélanger l'huile du guide-chaîne et de la chaîne avec une quantité égale de kérosène propre.

Remplissage du réservoir d'huile

REMARQUE :

Le réservoir d'huile a une capacité suffisante pour fournir environ 40 minutes de temps de coupe (réglé sur débit minimum, soit environ la durée d'un réservoir de carburant).

1. Placer l'appareil sur une surface plane et propre, bouchon du réservoir d'huile orienté vers le haut. Essuyer toute accumulation de débris du bouchon et du col du réservoir d'huile.



Bouchon du réservoir d'huile

2. Enlever le bouchon et remplir le réservoir avec de l'huile pour guide-chaîne et chaîne, puis remettre le bouchon.
3. Essuyer tout débordement d'huile avant de redémarrer l'appareil.

Réglage du débit d'huile

MISE EN GARDE !

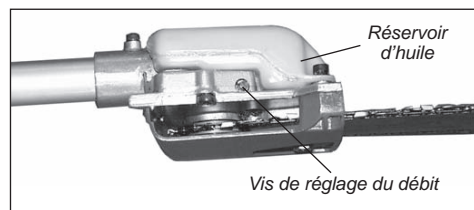
Une augmentation du débit d'huile accroît la consommation d'huile, ce qui nécessite des vérifications plus fréquentes du réservoir d'huile. Pour garantir une lubrification suffisante, il peut être nécessaire de vérifier le niveau d'huile plus souvent que lors du remplissage du réservoir de carburant.

La chaîne et le guide-chaîne sont lubrifiés automatiquement par une pompe qui fonctionne lorsque la chaîne tourne. La pompe est réglée en usine pour fournir un débit minimum, mais peut être ajustée sur le terrain. Une augmentation temporaire

du débit d'huile est souvent souhaitable lors de la coupe de feuillus ou de bois avec un diamètre important.

Régler la pompe comme suit :

1. Arrêter le moteur et s'assurer que l'interrupteur d'allumage est en position « Arrêt ».
2. Déposer l'appareil sur le côté, le réservoir d'huile orienté vers le haut.



Vis de réglage du débit

3. À l'aide d'un tournevis, tourner la vis de réglage du débit d'huile dans la direction souhaitée :
 - a. Dans le sens des aiguilles d'une montre pour réduire la lubrification.
 - b. Dans le sens Inverse des aiguilles d'une montre pour augmenter la lubrification.

Mélange de carburant



AVERTISSEMENT !

Réduire les risques d'incendie, de brûlures et de blessures.

- **ARRÊTER** le moteur avant de faire le plein.
- **TOUJOURS** laisser refroidir le moteur avant de faire le plein.
- **TOUJOURS** enlever le bouchon du réservoir lentement pour relâcher la pression accumulée.
- **TOUJOURS** conserver l'essence dans un récipient homologué.
- Éviter de trop remplir le réservoir et essuyer tout carburant qui pourrait avoir débordé. Déplacer le moteur à au moins 3 mètres du lieu de remplissage, de la zone d'entreposage d'essence ou d'autres substances inflammables avant de le redémarrer.

- **TOUJOURS** vérifier qu'il n'y a pas de fuites de carburant avant chaque usage. À chaque remplissage, s'assurer que le carburant ne s'écoule pas du bouchon et/ou du réservoir à carburant. En cas de fuite apparente, cesser immédiatement d'utiliser l'appareil. Réparer toute fuite de carburant avant d'utiliser l'appareil.
- **NE JAMAIS** fumer ou allumer de feu à proximité du moteur ou d'une source de carburant.
- **NE JAMAIS** placer de matière inflammable à proximité du silencieux ou du moteur.
- **NE JAMAIS** utiliser le moteur sans silencieux, et sans que celui-ci ne fonctionne correctement.

MISE EN GARDE !

Certaines essences contiennent de l'alcool comme oxygénant ! Les carburants oxygénés peuvent élever la température de fonctionnement du moteur. Dans certaines conditions, les essences à base d'alcool peuvent réduire les propriétés lubrifiantes de certains mélanges d'huile.

Ne jamais utiliser de carburant contenant plus de 10 % d'alcool par volume ! Les huiles génériques et certaines huiles pour moteurs hors-bord risquent de ne pas convenir à l'utilisation dans les moteurs à deux temps à haut rendement refroidis à l'air. Ne jamais les utiliser avec les outils Shindaiwa !

- Utiliser uniquement de l'essence sans plomb propre dont l'indice d'octane est égal ou supérieur à 87.
- Mélanger le carburant avec de l'huile pour moteur à deux temps de première qualité, adaptée à l'utilisation dans les moteurs à deux temps à haut rendement refroidis à l'air.
- Se reporter aux exemples de quantités de mélange huile/carburant à 50:1 :

Essence litres	Huile moteur à deux temps millilitres
2,5 - 1	50 ml
5 - 1	100 ml
10 - 1	200 ml
20 - 1	400 ml

MISE EN GARDE !

Ce moteur est conçu pour fonctionner avec un mélange d'essence sans plomb et d'huile pour moteur à deux temps de première qualité seulement, dans une proportion de 50:1. L'utilisation de mélanges d'huile non autorisés risque d'entraîner des coûts d'entretien excessifs et/ou d'endommager le moteur.

IMPORTANT !

Uniquement préparer la quantité dont vous avez besoin dans l'immédiat ! Si le carburant doit être remisé plus de 30 jours, il est préférable de le stabiliser à l'aide d'un produit adapté, tel que STA-BIL™.

MISE EN GARDE !

Ne jamais tenter de réparer une fuite dans le réservoir à carburant. Toujours mélanger l'essence dans un récipient propre et agréé.

Remplissage du réservoir de carburant

IMPORTANT !

Uniquement préparer la quantité dont vous avez besoin dans l'immédiat ! Si le carburant doit être remisé plus de 30 jours, il est préférable de le stabiliser à l'aide d'un produit adapté, tel que STA-BIL™.

MISE EN GARDE !

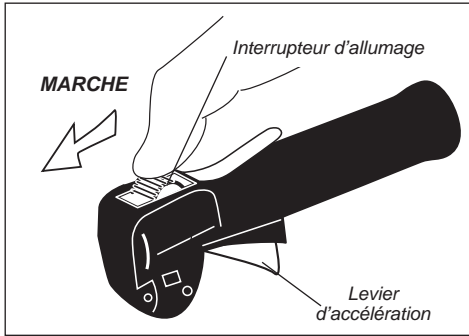
Ne jamais tenter de réparer une fuite dans le réservoir à carburant. Toujours mélanger l'essence dans un récipient propre et agréé.

1. Placer l'appareil sur une surface plane et stable, puis essuyer toute accumulation de débris autour du bouchon du réservoir.
2. Enlever le bouchon du réservoir.
3. Remplir le réservoir de carburant propre.
4. Remettre le bouchon et essuyer tout déversement de carburant avant de démarrer le moteur.

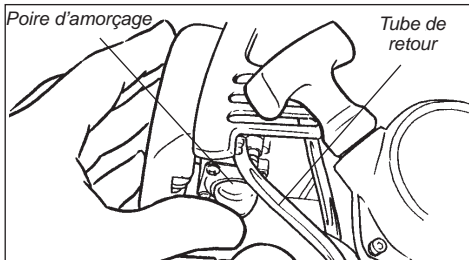
Démarrage du moteur

IMPORTANT !

L'allumage du moteur est commandé par un interrupteur à deux positions (marche/arrêt) monté sur le corps de l'accélérateur. En général, ce bouton porte l'inscription « I » pour DÉMARRAGE et « O » pour ARRÊT.



1. Glisser l'interrupteur d'allumage sur la position « I » (MARCHÉ).

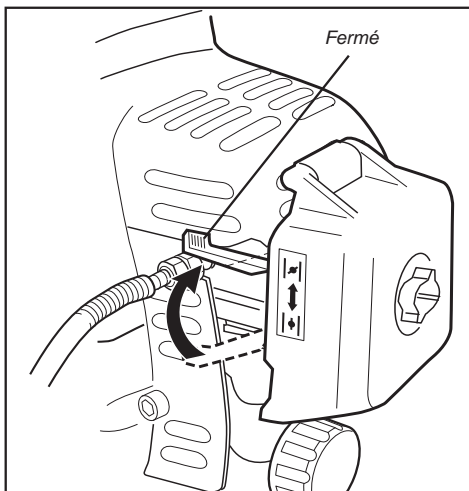


2. Appuyer à plusieurs reprises sur la poire d'amorçage du carburateur jusqu'à voir le carburant circuler dans le tube de retour transparent.

IMPORTANT !

Le système d'amorçage ne fait que faire circuler du carburant dans le carburateur. La pression répétitive de la poire d'amorçage ne noiera pas le moteur de carburant.

3. Mettre le levier de starter en position « FERMÉ » quand le moteur est froid.

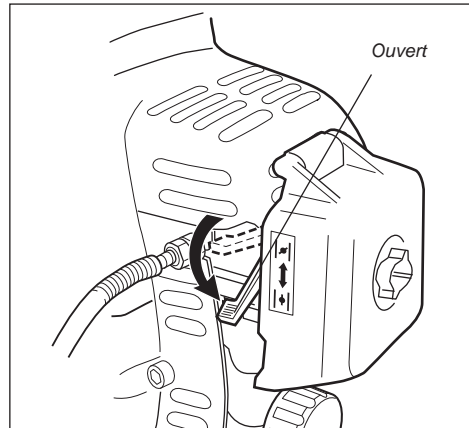


4. Tout en tenant fermement le tube de transmission d'une main, tirer lentement sur la poignée du démarreur à rappel jusqu'à ce qu'une résistance se fasse ressentir, puis tirer rapidement sur la poignée pour lancer le moteur.



MISE EN GARDE !

Ne jamais tirer la corde de démarrage à rappel jusqu'au bout. Tirer complètement la corde de démarrage à rappel risque d'endommager le démarreur.



5. Quand le moteur démarre, abaisser lentement le levier de starter vers la position ouverte. (Si le moteur s'arrête après le premier démarrage, fermer le starter et recommencer.)



AVERTISSEMENT !

Les lames risquent de tourner lorsque le moteur démarre. Veiller à s'éloigner du dispositif de coupe lors du démarrage du moteur.

IMPORTANT !

Si le moteur ne démarre pas après plusieurs tentatives alors que le starter est en position fermée, il est peut-être noyé. Si vous pensez que le moteur est noyé, déplacer le levier de starter en position ouverte et tirer plusieurs fois sur la corde du lanceur à rappel pour éliminer l'excédent de carburant et démarrer le moteur. Si le moteur ne démarre toujours pas, consulter la section de dépannage du présent manuel.

AVERTISSEMENT !

Ne jamais démarrer l'appareil en position d'utilisation.

Lorsque le moteur démarre...

- Une fois le moteur démarré, le laisser tourner à faible régime pendant 2 à 3 minutes afin de le laisser chauffer avant d'utiliser l'appareil.
- Une fois le moteur chaud, prendre l'appareil et fixer le harnais au besoin.
- Une pression sur le levier d'accélération accélère le mouvement de rotation de l'accessoire de coupe, le relâchement de l'accélérateur permet à l'accessoire de coupe de cesser de tourner. Si l'accessoire de coupe continue de tourner alors que le moteur tourne au ralenti, il faut régler le régime de ralenti du carburateur (voir « Réglage du ralenti du moteur » à la page suivante).

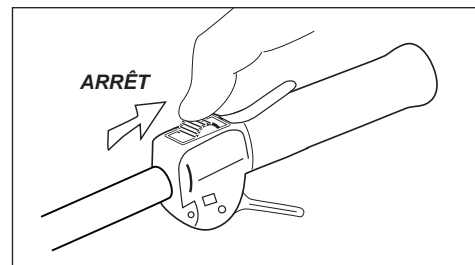
Arrêt du moteur



AVERTISSEMENT !

L'accessoire de coupe peut continuer à se déplacer après l'arrêt du moteur !

1. Laisser le moteur refroidir en le laissant tourner au ralenti pendant deux à trois minutes.
2. Glisser l'interrupteur d'allumage sur la position « 0 » (ARRÊT).



Réglage du ralenti du moteur



AVERTISSEMENT !

L'accessoire de coupe ne doit jamais fonctionner quand le moteur est au ralenti. S'il est impossible de régler le régime de ralenti en suivant les procédures indiquées, retourner l'appareil au vendeur Shindaiwa.

REMARQUE :

Sur cet appareil, le mélange de la richesse ne peut être réglé au niveau du carburateur.

Le moteur doit retourner au ralenti lorsque le levier d'accélération est relâché. Le régime de ralenti est réglable ; il doit être réglé assez bas pour que l'embrayage se désengage et que l'accessoire de coupe cesse de tourner lorsque le levier d'accélération est relâché.

Vérification et réglage du régime de ralenti

1. Démarrer le moteur, puis le laisser tourner au ralenti pendant 2 à 3 minutes jusqu'à ce qu'il soit chaud.
2. Si l'accessoire de coupe fonctionne lorsque le moteur est au ralenti, réduire le régime de ralenti en tournant la vis de ralenti en sens anti-horaire, le cas échéant.
3. Si le moteur cale et ne tient pas le ralenti, augmenter le régime de ralenti en faisant tourner la vis de réglage du ralenti dans le sens horaire.

IMPORTANT !

Si possible, régler le régime du ralenti à l'aide d'un tachymètre. Le régime de ralenti standard est de : 2 750 min (± 250)⁻¹.



Utilisation de la tronçonneuse

Cet outil est spécifiquement conçu pour la coupe de branches.

Ne jamais utiliser cet appareil pour d'autres usages. Ne jamais tenter de couper des pierres, des métaux, des plastiques ou d'autres objets durs.

L'utilisation de cet appareil à des fins autres que la coupe de branches peut l'endommager ou exposer l'opérateur à de graves blessures.

Préparations

- Porter des vêtements et des équipements de protection adéquats – voir la section « Consignes de sécurité ».
- Choisir la position de travail offrant le plus de sécurité par rapport aux chutes d'objets (branches, etc.).
- Démarrer le moteur.
- Passer le harnais.

Ne jamais se tenir directement sous la branche que l'on coupe. Prendre garde aux chutes de branches. Attention : une branche peut « rebondir » en direction de l'utilisateur après avoir atteint le sol.

Ordre de coupe

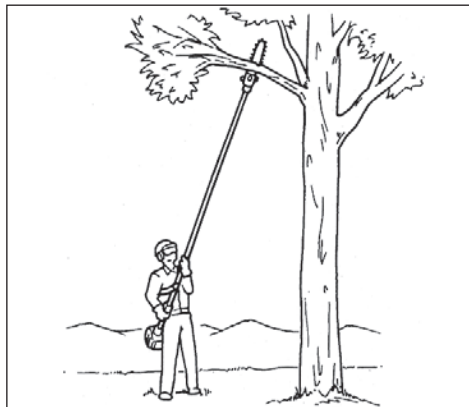
D'abord couper les branches les plus basses pour que les branches tombent librement. Tronçonner les branches les plus lourdes (de large diamètre) en plusieurs tronçons pour pouvoir les contrôler plus facilement.

Position de travail

Tenir la poignée de commande de la main droite et le tube de la main gauche. Déplier le bras gauche dans la position la plus confortable. Toujours tenir le tube à un angle de 60° maximum.

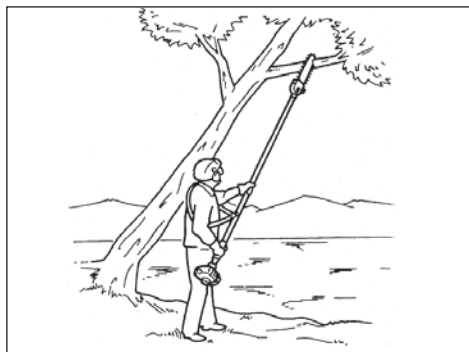
Coupe standard

La position de travail la plus confortable consiste à incliner l'outil à 60°, mais un autre angle d'inclinaison peut être utilisé selon la situation.



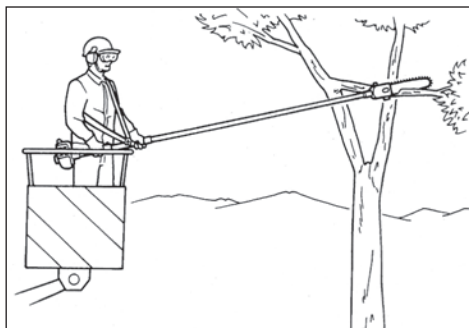
Coupe au-dessus d'obstacles

La longue portée de l'appareil permet de tronçonner des branches situées au-dessus d'obstacles, tels que des lacs ou cours d'eau. Dans ce cas, l'angle de l'outil dépend de la position de la branche.



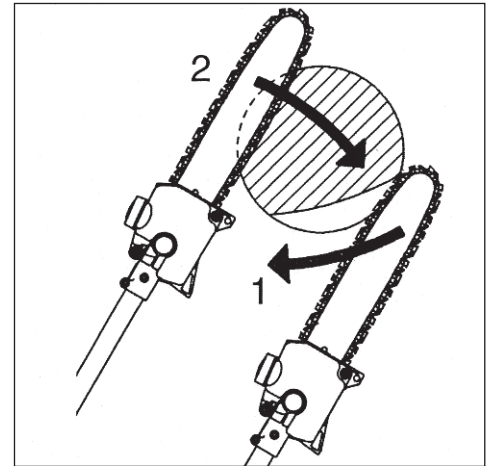
Coupe à partir d'une nacelle

La longue portée de l'appareil permet de réaliser des coupes à proximité du tronc sans que la nacelle n'abîme les autres branches. Dans ce cas, l'angle de l'outil dépend de la position de la branche.



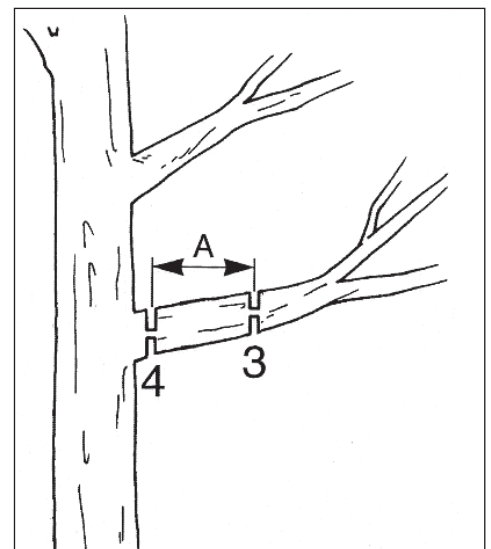
Entaille inférieure

Pour éviter de déchirer l'écorce, le phénomène de rebond ou le coincement lors du tronçonnage de grosses branches, toujours commencer par effectuer une entaille inférieure (1) de la branche. Pour ce faire, appuyer le guide et le tirer le long de la face inférieure de la branche jusqu'à la pointe. Effectuer la coupe (2).



Coupe à ras de grosses branches

Si le diamètre d'une branche est supérieur à 10 cm, effectuer d'abord une coupe inférieure (3) et une découpe à une distance (A) d'environ 25 cm de la coupe finale. Continuer la coupe à ras (4), en commençant par une coupe inférieure et en terminant par une découpe.



Entretien

IMPORTANT !

L'ENTRETIEN, LE REMPLACEMENT OU LA RÉPARATION D'UN DISPOSITIF DE CONTRÔLE DES ÉCHAPPEMENTS ET DES SYSTÈMES PEUT ÊTRE EFFECTUÉ PAR TOUT ÉTABLISSEMENT DE RÉPARATION OU INDIVIDU; CEPENDANT, LES RÉPARATIONS COUVERTES PAR LA GARANTIE DOIVENT ÊTRE EFFECTUÉES PAR UN VENDEUR OU UN CENTRE DE SERVICES AUTORISÉ PAR SHINDAIWA INC. L'UTILISATION DE PIÈCES DONT LE RENDEMENT ET LA DURABILITÉ NE SONT PAS ÉQUIVALENTS AUX PIÈCES UTILISÉES PEUT COMPROMETTRE L'EFFICACITÉ DU SYSTÈME ANTIPOLLUTION ET L'ACCEPTATION D'UNE DEMANDE DE RÉPARATION AU TITRE DE LA GARANTIE.



AVERTISSEMENT !

Avant tout travail d'entretien, de réparation ou de nettoyage de l'appareil, s'assurer que le moteur et l'accessoire de coupe sont entièrement immobiles. Débrancher le fil de la bougie avant tout travail d'entretien ou de réparation.



AVERTISSEMENT !

Les accessoires, accessoires de coupe ou pièces de rechange non agréés risquent de ne pas fonctionner correctement et de causer des dommages ou des blessures.



AVERTISSEMENT !

Toujours porter des gants pour travailler à proximité du dispositif de coupe.

- Enlever toute accumulation de saleté ou de débris du silencieux et du réservoir de carburant. Inspecter l'entrée d'air du système de refroidissement à la base du carter de vilebrequin. Éliminer toute accumulation de débris. Les accumulations de saleté sur ces pièces peuvent causer la surchauffe du moteur, un incendie ou l'usure précoce de l'appareil.
- Enlever toute accumulation de saleté ou de débris de l'accessoire de coupe. S'assurer que le guide-chaîne et la chaîne ne sont ni endommagés ni incorrectement ajustés.

Silencieux



AVERTISSEMENT !

L'utilisation de l'appareil sans silencieux ou si celui-ci est endommagé ou incorrectement installé risque d'accroître le bruit du moteur à un niveau suffisant pour causer la perte de l'ouïe.

Ne jamais faire fonctionner l'appareil sans silencieux ou s'il est endommagé. S'assurer que le silencieux est fixé correctement et en bon état. Un silencieux usé ou endommagé représente un risque d'incendie et peut causer la perte de l'ouïe.

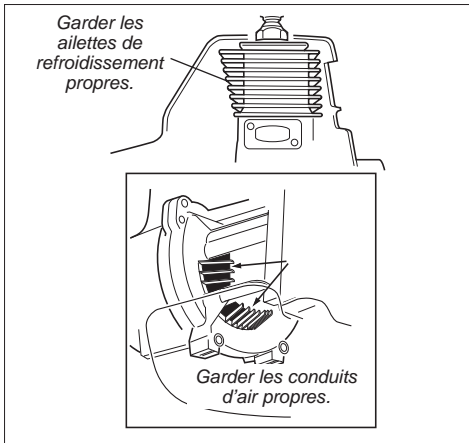
Bougie

Garder la bougie et les fils de connexion serrés et propres.

Entretien quotidien

Appliquer la procédure suivante au début de chaque journée de travail :

- Enlever la saleté et les débris sur le moteur, vérifier les ailettes de refroidissement et le filtre à air et les nettoyer au besoin.



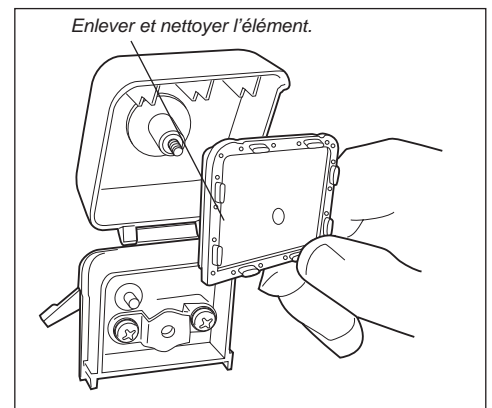
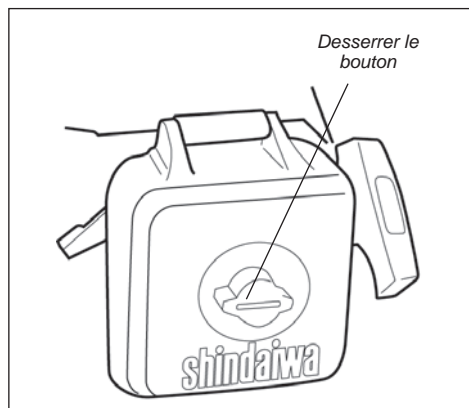
Entretien aux 10 heures

Toutes les 10 heures d'utilisation (plus souvent dans des conditions poussiéreuses ou sales) :

1. Enlever l'élément du filtre à air et le nettoyer abondamment avec de l'eau savonneuse. Le laisser sécher avant de le réinstaller.

MISE EN GARDE !

Ne jamais utiliser l'appareil si le filtre à air ou son élément est endommagé, ou si l'élément est humide.

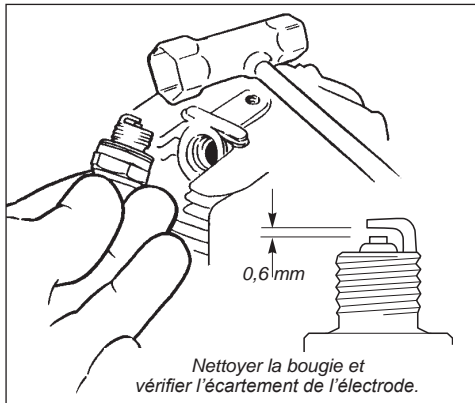


Entretien (suite)

Entretien aux 10 à 15 heures

Toutes les 10 à 15 heures de fonctionnement :

1. Enlever et nettoyer la bougie. Ajuster l'écartement de l'électrode de la bougie à 0,6 mm. S'il est nécessaire de changer la bougie, utiliser uniquement une bougie NGK BMR6A.



MISE EN GARDE !

Une bougie mal installée risque d'endommager gravement le moteur.

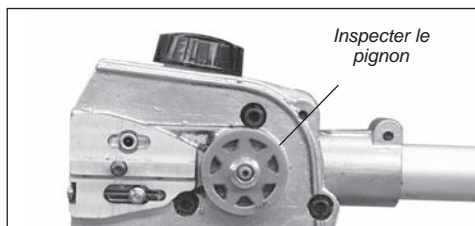
MISE EN GARDE !

Avant d'enlever la bougie, nettoyer l'aire autour de la bougie afin d'éviter que des saletés ou des poussières ne se logent à l'intérieur du moteur.

Entretien aux 50 heures

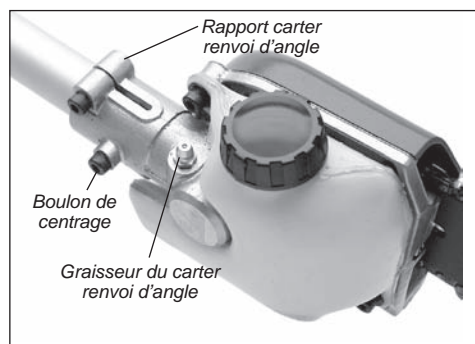
Toutes les 50 heures d'utilisation (plus souvent dans des conditions poussiéreuses ou sales) :

- Enlever et nettoyer le couvercle du cylindre, et enlever les accumulations d'herbe et de saletés logées dans les ailettes du cylindre.
- Enlever le couvercle du pignon et inspecter le pignon pour vérifier l'absence d'accumulation de sciure et de poussière ou d'usure excessive. Enlever le guide-chaîne et essuyer la rainure du guide-chaîne. Si le pignon est usé, le remplacer par un neuf.



- **Lubrifier le boîtier réducteur.** Pour effectuer cette opération, ôter tout d'abord le boîtier réducteur du tube de transmission supérieur comme suit :
 - Desserrer le boulon du collier de serrage du boîtier réducteur.

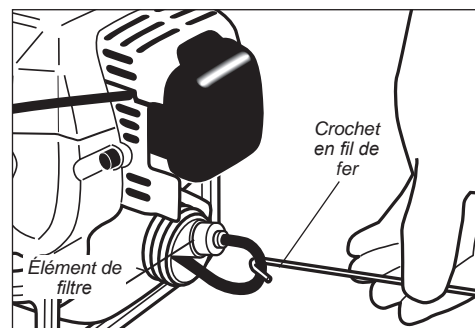
- Ôter le boulon de centrage du boîtier réducteur.
- Glisser le boîtier réducteur hors du tube.
- À l'aide d'une pompe à graisse, injecter de la graisse à base de lithium (10 grammes environ) dans l'orifice de graissage, jusqu'à ce que la graisse usée disparaisse du carter renvoi d'angle (pour cela, vérifier la cavité du tube extérieur, à l'extrémité d'entrée du carter renvoi d'angle). Nettoyer l'excédent de graisse, puis remonter le carter renvoi d'angle sur le tube de transmission.



MISE EN GARDE !

Veiller à ne pas percer le conduit d'alimentation avec l'extrémité du fil croché. Le conduit est fin, et peut facilement être endommagé.

- Utiliser un fil croché pour extraire le filtre à carburant du réservoir à carburant. Inspecter le filtre à carburant afin d'y déceler toute trace de contamination. Le remplacer par un filtre neuf, si nécessaire. Avant de réinstaller le filtre, inspecter le conduit d'alimentation en carburant. S'il est endommagé ou détérioré, ne pas utiliser l'appareil tant qu'il n'a pas été inspecté par un technicien agréé Shindaiwa.



Remisage à long terme

Si l'appareil doit être remis plus de 30 jours, suivre la procédure suivante pour le préparer au remisage :

- Nettoyer les pièces des parties externes abondamment et appliquer une mince couche d'huile à l'ensemble des surfaces métalliques.
- Vider le carburant du carburateur et du réservoir à carburant.

IMPORTANT !

Stabiliser l'essence remise à l'aide d'un produit adapté tel que STA-BIL™.

Pour enlever l'excédent d'essence des tubes d'essence et du carburateur quand l'essence est drainée du réservoir à essence :

1. Appuyer sur la poire d'amorçage jusqu'à ce qu'elle ne fasse plus circuler de carburant.
2. Démarrer et laisser fonctionner le moteur jusqu'à ce qu'il s'arrête de lui-même.
3. Répéter les étapes 1 et 2 jusqu'à ce que le moteur ne démarre plus.

MISE EN GARDE !

Le carburant laissé dans le carburateur pendant une période prolongée peut nuire au démarrage et accroître les coûts de service et d'entretien.

1. Retirer la bougie et verser environ 10 cm³ (.25 oz.) d'huile pour moteur à deux temps dans le cylindre, par l'orifice de la bougie. Tirer lentement sur le lanceur à rappel à deux ou trois reprises pour enduire uniformément les parois du cylindre. Réinstaller la bougie.
2. Toujours réparer une pièce endommagée ou usée avant le remisage.
3. Enlever le filtre à air du carburateur et le nettoyer abondamment avec de l'eau savonneuse. Laisser sécher avant de réinstaller le filtre à air.
4. Remiser l'appareil dans un endroit pro-

Entretien (suite)

Entretien du pare-étincelles

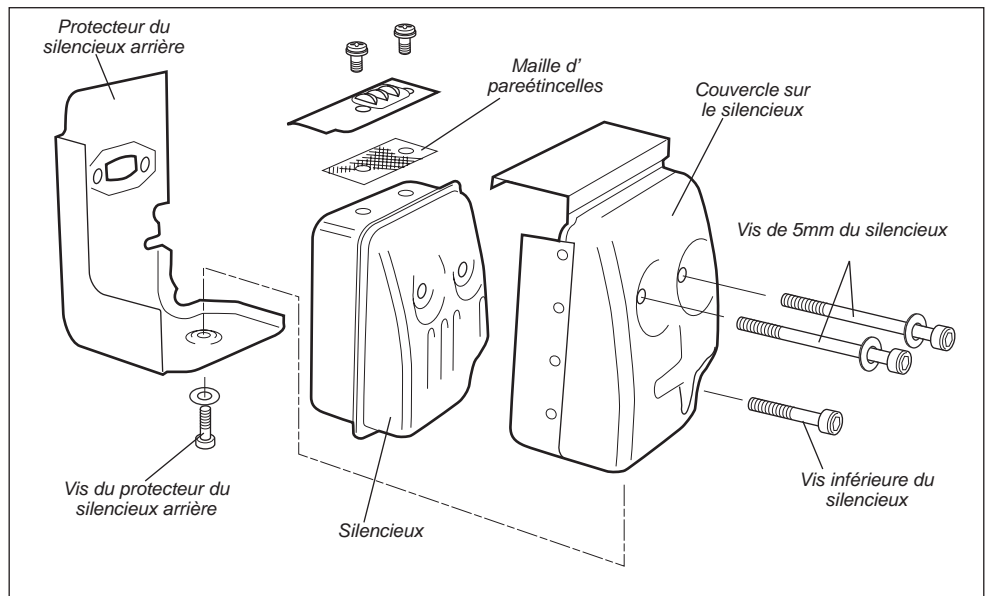
Après une utilisation de 135 heures, ou si le moteur démarre difficilement ou manque de puissance, inspecter et nettoyer le pare-étincelles.



AVERTISSEMENT !

Ne jamais faire fonctionner l'appareil sans silencieux ou sans pare-étincelles ou s'ils sont endommagés. L'utilisation de l'appareil sans les composants nécessaires ou avec des composants usées ou endommagées représente un danger d'incendie et peut causer la perte de l'ouïe.

1. Enlever le capuchon de la bougie.
2. Retirer les deux vis de 4mm de la couverture du moteur (plac sur la boîte du démarreur).
3. Desserrer la vis de 5mm de la couverture du moteur (la vis est captive) et en soulevant le couvercle du moteur.
4. Retirer les deux vis de 5mm du silencieux. Retirez la vis inférieure du silencieux, et soulevez l'ensemble du silencieux en dehors du moteur.



5. Enlever le boulon arrière de bouclier de silencieux et, tout en notant l'orientation des pièces, séparez le bouclier de silencieux.
6. Enlever le pare-étincelles et le nettoyer à l'aide d'une brosse à soies dures.
7. Inspecter l'orifice d'échappement du cylindre afin d'y déceler une éventuelle accumulation de calamine.

8. Taper doucement le silencieux sur une surface en bois pour ôter tout dépôt de calamine.
9. Réassembler le pare-étincelles et le couvercle du moteur dans l'ordre inverse.

IMPORTANT !

Si le dépôt de calamine est important ou s'il n'y a aucune amélioration du rendement de l'appareil, retourner l'appareil au détaillant Shindaiwa.

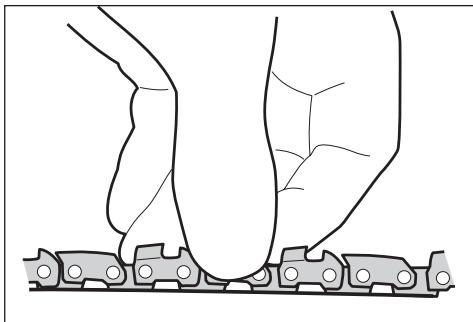
Entretien (suite)

Affûtage de la chaîne

Lorsque les arêtes tranchantes des gouges de la chaîne s'émousent, les affûter à l'aide d'une lime.

Affûter les arêtes tranchantes de la lame uniformément pour que la lame reste équilibrée.

Inspecter la chaîne pour en vérifier le réglage (notamment lorsqu'il s'agit d'une nouvelle chaîne). La chaîne doit être serrée mais glisser librement. Se reporter à la page 10 pour les procédures de réglage.



IMPORTANT !

Limer tous les couteaux au même angle et à la même profondeur. Un affûtage irrégulier risque de causer des vibrations de la scie ou des coupes irrégulières.

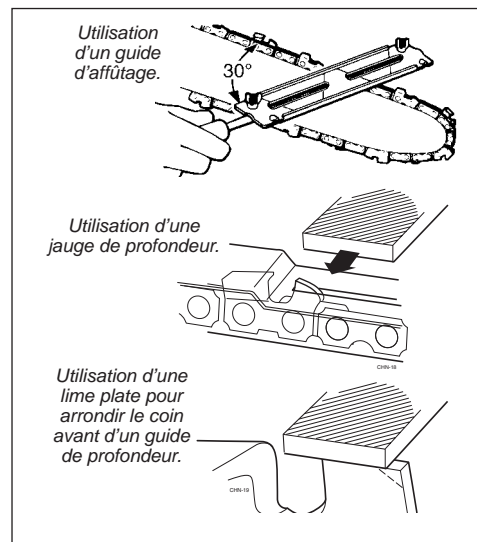
1. À l'aide d'une lime ronde de 4,5 mm, affûter toutes les gouges à un angle de 30°, comme indiqué.

REMARQUE :

Pour limer des angles uniformes, utiliser un guide d'affûtage.

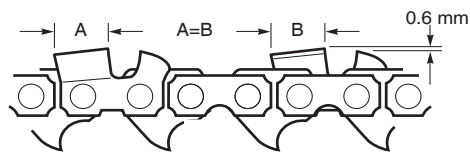
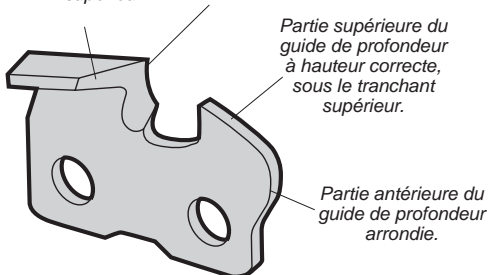
2. Une fois tous les couteaux affûtés, utiliser une jauge de profondeur pour mesurer la hauteur de chaque guide de profondeur.
3. Au besoin, abaisser les guides de profondeur à la hauteur appropriée de 0,6 mm. Utiliser une lime plate.

4. Une fois que tous les guides de profondeur ont été réglés, utiliser une lime plate pour arrondir le tranchant supérieur de chaque guide de profondeur jusqu'à sa courbe et son angle d'origine.



Technique d'affûtage correcte

Angle correct au niveau du tranchant supérieur. Incurvation ou pointe dépassant légèrement (élément incurvé sur une chaîne non biseautée).



Garder toutes les gouges à la même longueur.

Problèmes d'affûtage

<p><i>L'angle du tranchant supérieur est inférieur à celui recommandé.</i></p> <p>Cause Lime utilisée à un angle inférieur à celui recommandé.</p> <p>Résultat Découpe lente. Nécessite un effort supplémentaire pour la coupe.</p> <p>Solution Affûter les gouges à l'angle recommandé.</p>	<p><i>L'angle du tranchant supérieur est supérieur à celui recommandé.</i></p> <p>Cause Lime utilisée à un angle supérieur à celui recommandé.</p> <p>Résultat L'angle de coupe est très tranchant mais le couteau s'émousse rapidement. Coupe difficile et irrégulière.</p> <p>Solution Affûter les couteaux à l'angle recommandé.</p>	<p><i>Limiteur trop haut</i></p> <p>Cause Guide de profondeur jamais affûté.</p> <p>Résultat Découpe lente. Forte pression requise pour que la chaîne coupe. Provoque une usure excessive du talon du couteau.</p> <p>Solution Réduire les guides à la hauteur recommandée.</p>
<p><i>Incurvation dans le tranchant latéral de la gouge</i></p> <p>Cause Limage trop bas ou lime trop petite.</p> <p>Résultat Coupe difficile. La chaîne se bloque dans le bois. Les couteaux s'émousent rapidement ou ne maintiennent aucun tranchant.</p> <p>Solution Affûter les couteaux à l'angle recommandé. Contrôler la taille de la lime.</p>	<p><i>Bord de coupe arrondi</i></p> <p>Cause Limage trop élevé ou lime trop large.</p> <p>Résultat Les couteaux pénètrent difficilement dans le bois. Coupe laborieuse. Forte pression requise pour que la chaîne coupe. Cause une usure excessive du bas du couteau.</p> <p>Solution Affûter les couteaux à l'angle recommandé. Contrôler la taille de la lime.</p>	<p><i>Limiteur trop bas</i></p> <p>Cause Réglage inapproprié du guide de profondeur ou aucune jauge de profondeur utilisée</p> <p>Résultat Coupe difficile. La chaîne se bloque dans le bois. La chaîne ne pénètre pas dans le bois. Usure excessive du talon du couteau.</p> <p>Solution Si les limiteurs sont trop bas, la chaîne ne peut plus être entretenue.</p>

Guide de dépannage

Le moteur ne démarre pas

Points à contrôler	Cause probable	Solution
<p>Le moteur démarre-t-il bien ?</p> <p>NON →</p> <p>OUI ↓</p>	<p>Lanceur à rappel défectueux.</p> <p>Liquide dans le carter de vilebrequin.</p> <p>Bris interne.</p>	<p>Consulter un représentant autorisé Shindaiwa.</p>
<p>Y a-t-il une bonne compression ?</p> <p>NON →</p> <p>OUI ↓</p>	<p>Bougie desserrée.</p> <p>Usure excessive du cylindre, du piston, des segments.</p>	<p>Serrer et réverifier.</p> <p>Consulter un représentant autorisé Shindaiwa.</p>
<p>Le réservoir contient-il de l'essence propre de grade approprié ?</p> <p>NON →</p> <p>OUI ↓</p>	<p>Essence souillée, éventée ou de mauvaise qualité ; mélange incorrect.</p>	<p>Remplir avec de l'essence sans plomb propre, dont l'indice d'octane à la pompe est égal ou supérieur à 87, mélangée avec de l'huile pour moteur à deux temps de première qualité Shindaiwa (ou une huile de première qualité équivalente) selon un rapport de 50 :1.</p>
<p>L'essence est-elle visible dans le tuyau de renvoi lors de l'amorçage ?</p> <p>NON →</p> <p>OUI ↓</p>	<p>Vérifier si le filtre à essence et/ou l'orifice d'aération sont encrassés.</p>	<p>Remplacer le filtre à essence ou le reniflard au besoin. Redémarrer.</p>
<p>Y a-t-il une étincelle à la borne du fil de bougie ?</p> <p>NON →</p> <p>OUI ↓</p>	<p>Le commutateur se trouve sur la position « Arrêt » (« O »).</p> <p>Mauvaise mise à la masse.</p> <p>Transistor défectueux.</p>	<p>Placer le commutateur en position de marche (« I ») et redémarrer.</p> <p>Consulter un représentant autorisé Shindaiwa.</p>
<p>Vérifier la bougie.</p>	<p>Si la bougie est humide, il y a peut-être un excédent d'essence dans le cylindre.</p> <p>La bougie peut être encrassée ou mal ajustée.</p> <p>La bougie peut être brisée ou de catégorie inappropriée.</p>	<p>Lancer le moteur sans la bougie, remettre la bougie en place et redémarrer.</p> <p>Nettoyer et régler l'écartement de la bougie à 0,024 po(0,6mm)-0,028 po(0,7mm). Redémarrer.</p> <p>Remplacer la bougie. Consulter la section "Caractéristiques techniques" pour le type correct de bougie. Redémarrer.</p>

PUISSANCE INSUFFISANTE

Points à contrôler	Cause probable	Solution
<p>Le moteur surchauffe-t-il ?</p>	<p>Utilisation abusive de l'appareil.</p> <p>Le mélange du carburateur est trop pauvre.</p> <p>Rapport huile / essence inapproprié.</p> <p>Ventilateur, boîtier de ventilation, ailettes du cylindre sales ou endommagés.</p> <p>Dépôts de calamine dans la chambre de combustion.</p>	<p>Ralentir le régime de coupe.</p> <p>Consulter un représentant autorisé Shindaiwa.</p> <p>Remplir avec de l'essence sans plomb propre, dont l'indice d'octane à la pompe est égal ou supérieur à 87, mélangée avec de l'huile pour moteur à deux temps de première qualité Shindaiwa (ou une huile de première qualité équivalente) selon un rapport de 50 :1.</p> <p>Nettoyer, réparer ou remplacer selon le cas.</p> <p>Consulter un représentant autorisé Shindaiwa.</p>
<p>Le moteur fonctionne de façon brusque à tous les régimes. Présence éventuelle de fumée d'échappement noire et / ou d'essence non brûlée à l'échappement.</p>	<p>Filtre à air obstrué.</p> <p>Bougie desserrée ou endommagée.</p> <p>Fuite d'air ou conduite d'essence obstruée.</p> <p>Eau dans l'essence.</p> <p>Grippage du piston.</p> <p>Carburateur et / ou diaphragme défectueux.</p>	<p>Nettoyer ou remplacer le filtre à air.</p> <p>Resserrer ou remplacer la bougie. Consulter la section "Caractéristiques techniques" pour le type correct de bougie d'allumage.Redémarrer.</p> <p>Réparer ou remplacer le filtre et/ou la conduite d'essence.</p> <p>Remplir avec un mélange huile/essence récent.</p> <p>Consulter un représentant autorisé Shindaiwa.</p>
<p>Le moteur cogne.</p>	<p>Surchauffe</p> <p>Essence inappropriée.</p> <p>Dépôts de calamine dans la chambre de combustion.</p>	<p>Voir ci-dessus.</p> <p>Vérifier l'indice d'octane, vérifier si l'essence contient de l'alcool. Remplir selon le besoin.</p> <p>Consulter un représentant autorisé Shindaiwa.</p>

Problème	Cause probable	Solution
Faible accélération.	<ul style="list-style-type: none"> Filtre à air obstrué. Filtre à essence obstrué. Mélange essence/air pauvre. Régime de ralenti trop bas. 	<ul style="list-style-type: none"> Nettoyer ou remplacer le filtre à air. Remplacer le filtre à essence. Consulter un revendeur Shindaiwa. Régler : 2 750 (±250) min⁻¹.
Le moteur s'arrête brusquement.	<ul style="list-style-type: none"> Interrupteur d'allumage en position d'arrêt. Réservoir à essence vide. Filtre à essence obstrué. Eau dans le carburant. Bougie court-circuitée ou mauvaise connexion. Échec d'allumage. Grippage du piston. 	<ul style="list-style-type: none"> Remettre le contact et redémarrer. Faire le plein. Consulter la section Remplissage du réservoir de carburant. Remplacer le filtre. Vidanger le réservoir et faire le plein avec du carburant propre. Consulter la section Remplissage du réservoir de carburant. Nettoyer ou remplacer la bougie par une bougie NGK BMR6A ou une bougie équivalente de gamme thermique appropriée. Consulter un revendeur Shindaiwa.
Moteur difficile à arrêter.	<ul style="list-style-type: none"> Fil de masse (d'arrêt) débranché ou interrupteur défectueux. Bougie inappropriée entraînant une surchauffe. Surchauffe du moteur. 	<ul style="list-style-type: none"> Vérifier et réinstaller au besoin. Remplacer la bougie par une bougie NGK BMR6A ou une bougie équivalente de gamme thermique appropriée. Laisser refroidir le moteur en le laissant tourner au ralenti.
L'accessoire de coupe tourne même si le moteur est au ralenti.	<ul style="list-style-type: none"> Régime de ralenti trop élevé. Ressort d'embrayage défectueux ou moyeu usé. Support de l'accessoire de coupe desserré. 	<ul style="list-style-type: none"> Régler le ralenti : 2 750 (±250) min⁻¹. Remplacer le ressort/les masselottes au besoin et vérifier la vitesse de ralenti. Inspecter et resserrer les vis.
Vibration excessive.	<ul style="list-style-type: none"> Accessoire déformé ou endommagé. Carter renvoi d'angle desserré. Axe d'entraînement courbé/coussinets usés. 	<ul style="list-style-type: none"> Examiner et remplacer l'accessoire de coupe au besoin. Serrer le manchon d'accouplement. Examiner et remplacer au besoin.
L'accessoire de coupe reste immobile.	<ul style="list-style-type: none"> L'arbre n'est pas installé dans la tête motorisée ou le carter renvoi d'angle. Axe brisé. Carter renvoi d'angle endommagé. 	<ul style="list-style-type: none"> Inspecter et réinstaller au besoin. Retourner l'appareil au vendeur.

Shindaiwa Corporation

Garantie fédérale limitée contre les défauts de conception et les défaillances Moteurs d'outils à usage général et d'entretien des pelouses et jardins

Shindaiwa Corporation garantit à l'acheteur initial et à chaque acheteur ultérieur que le moteur du présent outil à usage général (ci-après le « moteur ») a été conçu, fabriqué et équipé afin de satisfaire à l'ensemble des dispositions légales applicables énoncées par l'Agence de protection de l'environnement des États-Unis (EPA), et que le présent moteur est libre de tout défaut de matière et de fabrication susceptible d'entraîner sa non-conformité aux dispositions légales énoncées par l'EPA au cours de sa période de garantie. Cette garantie relative aux émissions est applicable dans tous les états, excepté l'état de Californie.

Pour les pièces prises en charge dans la section PIÈCES PRISES EN CHARGE, le représentant autorisé de Shindaiwa Corporation, Ltd. procédera gratuitement au diagnostic, à la réparation ou au remplacement des composants défectueux spécifiques au contrôle des émissions afin de garantir la conformité du présent moteur aux dispositions légales applicables énoncées par l'EPA des États-Unis.

ÉTENDUE DE LA GARANTIE DU FABRICANT

Sur les appareils vendus sur le territoire des États-Unis, le système de contrôle des émissions du présent moteur bénéficie d'une garantie d'une durée de deux (2) ans à compter de la date de la première livraison de ce produit à l'acheteur original du produit au détail.

RESPONSABILITÉS DU PROPRIÉTAIRE À L'ÉGARD DE LA GARANTIE

En tant que propriétaire du moteur, vous êtes responsable de l'exécution des opérations d'entretien décrites dans le manuel d'utilisation. Shindaiwa Corporation vous recommande de conserver toutes les factures relatives aux opérations d'entretien réalisées sur votre moteur ; toutefois, Shindaiwa Corporation ne peut refuser la prise en charge d'une intervention dans le cadre de la garantie uniquement en raison de l'absence de factures ou du manquement de l'utilisateur à exécuter l'intégralité des opérations d'entretien prévues.

En tant que propriétaire, vous devez toutefois avoir conscience que Shindaiwa Corporation peut refuser la prise en charge d'une intervention dans le cadre de la garantie en cas de défaillance du moteur ou d'une pièce à la suite d'une utilisation abusive, une négligence, un entretien incorrect ou une modification non approuvée de l'appareil ou du moteur.

En cas de problème, vous avez la responsabilité de présenter votre moteur au représentant autorisé Shindaiwa Corporation, le plus proche.

Si votre représentant Shindaiwa n'est pas en mesure de répondre aux questions concernant vos droits et responsabilités dans le cadre de la garantie, vous devez prendre contact avec votre distributeur Shindaiwa.

Pour obtenir les coordonnées du distributeur Shindaiwa dans votre région, veuillez appeler Shindaiwa Inc. au numéro (503) 692-3070, de 8h00 à 17h00 (Heure Normale du Pacifique).

PIÈCES PRISES EN CHARGE

Vous trouverez ci-dessous la liste des pièces prises en charge par la Garantie fédérale limitée contre les défauts de conception et les défaillances. Certaines des pièces énoncées ci-dessous peuvent nécessiter l'exécution d'opérations d'entretien planifiées et sont prises en charge, dans le cadre de la garantie, jusqu'au premier remplacement planifié de la pièce. Les pièces prises en charge par la garantie sont les suivantes :

1. Composants internes du carburateur
 - Aiguille, réglage de l'assemblage du diaphragme
2. Composants du système d'allumage
 - Bobine d'allumage
 - Volant

Le système de contrôle des émissions spécifique à votre moteur Shindaiwa peut également inclure certains connecteurs et conduites.

LIMITATIONS

La Garantie fédérale limitée contre les défauts de conception et les défaillances ne couvre pas les points suivants :

- (a) les défaillances résultant de la modification, de l'utilisation erronée ou du réglage incorrect (à moins que ces opérations n'aient été réalisées par le représentant ou le centre d'entretien autorisé de Shindaiwa Corporation au cours d'une réparation effectuée dans le cadre de la garantie), de l'altération, d'un accident, du manquement à utiliser l'essence et l'huile recommandés ou de la non-exécution des opérations d'entretien requises,

- (b) les pièces de rechange utilisées dans le cadre des opérations d'entretien requises,
- (c) les pièces secondaires utilisées dans le cadre des opérations d'entretien requises,
- (d) les honoraires de diagnostic et d'inspection n'entraînant pas l'exécution d'une intervention prise en charge dans le cadre de la garantie, et
- (e) toute pièce de rechange non autorisée ou toute défaillance de pièces autorisées due à l'utilisation de pièces non autorisées.

EXIGENCES RELATIVES À L'ENTRETIEN ET LA RÉPARATION

Vous êtes responsable de l'utilisation et de l'entretien adéquats du moteur. Nous vous recommandons de conserver tous vos relevés et factures d'entretien relatifs à l'exécution des interventions d'entretien régulier, au cas où des questions se présenteraient. Ces relevés et factures d'entretien doivent être remis à chaque propriétaire ultérieur du moteur. Shindaiwa Corporation se réserve le droit de refuser la prise en charge d'une intervention dans le cadre de la garantie si le propriétaire n'a pas procédé à un entretien correct du moteur. Shindaiwa Corporation ne refusera pas la prise en charge d'une intervention dans le cadre de la garantie uniquement en raison de l'absence de réparations ou d'entretien ou du manquement de l'utilisateur à conserver les relevés et factures d'entretien.

L'ENTRETIEN, LE REMPLACEMENT OU LA RÉPARATION D'UN DISPOSITIF DE CONTRÔLE DES ÉCHAPPEMENTS ET DES SYSTÈMES PEUT ÊTRE EFFECTUÉ PAR TOUT ÉTABLISSEMENT DE RÉPARATION OU INDIVIDU. CÉPENDANT, LES RÉPARATIONS COUVERTES PAR LA GARANTIE DOIVENT ÊTRE EFFECTUÉES PAR UN DÉTAILLANT OU UN CENTRE DE SERVICES AUTORISÉ PAR SHINDAIWA CORPORATION L'UTILISATION DE PIÈCES DONT LE RENDEMENT ET LA DURABILITÉ NE SONT PAS ÉQUIVALENTS AUX PIÈCES UTILISÉES PEUT COMPROMETTRE L'EFFICACITÉ DU SYSTÈME ANTI-POLLUTION ET L'ACCEPTATION D'UNE DEMANDE DE RÉPARATION AU TITRE DE LA GARANTIE.

Si des pièces de remplacement autres que les pièces autorisées par Shindaiwa Corporation sont utilisées aux fins de l'entretien ou de la réparation de composants affectant le contrôle des émissions, vous devez vous assurer que ces pièces sont garanties, par leur fabricant, comme étant équivalentes aux pièces autorisées par Shindaiwa Corporation au regard de leurs performances et de leur résistance.

DEMANDE DE RÉPARATIONS DANS LE CADRE DE LA GARANTIE

Toutes les réparations susceptibles d'être prises en charge dans le cadre de la présente garantie limitée doivent être exécutées par un représentant autorisé de Shindaiwa Corporation

Si une pièce spécifique au contrôle des émissions s'avère défectueuse pendant la période de garantie, il est de votre responsabilité de présenter le produit à un représentant Shindaiwa autorisé. Munissez-vous des factures indiquant la date d'achat du présent moteur. Le représentant autorisé par Shindaiwa Corporation effectuera les réparations ou réglages nécessaires dans un délai raisonnable et vous remettra une copie de l'ordre de réparation. Tous les pièces et accessoires remplacés dans le cadre de la présente garantie deviennent la propriété de Shindaiwa Corporation.

Pour obtenir les coordonnées du représentant Shindaiwa autorisé le plus proche de vous, contactez votre distributeur Shindaiwa. Pour obtenir les coordonnées du distributeur Shindaiwa dans votre région, veuillez appeler Shindaiwa Inc. au numéro (503) 692-3070, de 8h00 à 17h00 (Heure Normale du Pacifique).

LA PRÉSENTE GARANTIE EST GÉRÉE PAR

Shindaiwa Inc.
11975 S.W. Herman Rd.
Tualatin, OR 97062 USA
(503) 692-3070



shindaiwa[®]

Shindaiwa Inc.
11975 SW Herman Rd.
Tualatin, Oregon 97062
United States of America
Telephone : 503 692-3070
Fax : 503 692-6696
www.shindaiwa.com

Shindaiwa Corporation
6-2-11, Ozuka-Nishi,
Asaminami-Ku, Hiroshima
731-3167, Japan
Telephone : 81-82-849-2220
Fax : 81-82-849-2481

© 2007 Shindaiwa, Inc.
Reference 62888-94013
Revision 10/07
Shindaiwa is a registered trademark of Shindaiwa, Inc.
Specifications subject to change without notice.