

INSTALLATION GUIDE FOR CELLULAR CAR TELEPHONE

SAFETY INFORMATION FOR WIRELESS MOBILE PHONES

READ THIS INFORMATION BEFORE USING YOUR MOBILE CELLULAR TELEPHONE

EXPOSURE TO RADIO FREQUENCY SIGNALS

Your wireless mobile telephone is a low power radio transmitter and receiver. When it is ON, it receives and also sends out radio frequency (RF) signals.

In August, 1996, the Federal Communications Commission (FCC) adopted RF exposure guidelines with safety levels for mobile wireless phones. Those guidelines are consistent with the safety standards previously set by both U.S. and International standards bodies:

- ANSI C95.1 (1992)
- NCRP Report 86 (1986)
- ICNIRP (1996)

Those standards were based on comprehensive and periodic evaluations of the relevant scientific literature. For example, over 120 scientists, engineers, and physicians from universities, government health agencies, and industry reviewed the available body of research to develop the ANSI Standard (C95.1). The design of your phone complies with the FCC guidelines (and those standards).

ANTENNA CARE

Use only the supplied or an approved replacement antenna. Unauthorized antennas, modifications, or attachments could damage the phone and may violate FCC regulations.

SAFE PHONE INSTALLATION AND OPERATION

For safe and efficient operation, this phone must be properly installed using recommended installation procedure specified in the installation guide for this unit. A "thru-glass" antenna must be mounted on the center of the rear window of the vehicle. At no time should anyone touch the antenna or come in close contact with it while the phone is in operation.

DRIVING

Check the laws and regulations on the use of wireless telephones in the areas where you drive. Always obey them. Also, if using your phone while driving, please:

- Give full attention to driving - driving safely is your first responsibility.
- Use hands-free operation, if available.
- Pull off the road and park before making or answering a call if driving conditions so require.

ELECTRONIC DEVICES

Most modern electronic equipment is shielded from RF energy. However, RF energy from cellular telephones may affect inadequately shielded electronic equipment.

RF energy may affect improperly installed or inadequately shielded electronic operating and entertainment systems in motor vehicles. Check with the manufacturer or its representative to determine if these systems are adequately shielded from external RF energy. You should also check with the manufacturer of any equipment that has been added to your vehicle.

Consult the manufacturer of any personal medical devices (such as pacemakers, hearing aids, etc.) to determine if they are adequately shielded from external RF energy.

Turn your phone OFF in health care facilities when any regulations posted in the areas instruct you to do so. Hospitals or health care facilities may be using equipment that could be sensitive to external RF energy.

BLASTING AREAS

To avoid interfering with blasting operations, turn your unit OFF when in a “Blasting area” or in areas posted “Turn off two-way radio”. Obey all signs and instructions.

POTENTIALLY EXPLOSIVE ATMOSPHERES

Turn your phone OFF when in any area with a potentially explosive atmosphere and obey all signs and instructions. Sparks in such areas could cause an explosion or fire resulting in bodily injury or even death.

Areas with a potentially explosive atmosphere are often but not always clearly marked. They include fueling areas such as gasoline stations, below deck on boats, fuel or chemical transfer or storage vehicles using liquefied petroleum gas (such as propane or butane), areas where the air contains chemicals or particles, such as: grain, dust, or metal powders, and any other area where you would normally be advised to turn off your vehicle engine.

For Vehicles Equipped with an Air Bag

An air bag inflates with great force. DO NOT place objects, including both installed or mobile wireless equipment, in the area over the air bag or in the air bag deployment area. If in-vehicle wireless equipment is improperly installed and air bag inflates, serious injury could result.

Important

There are some basic rules that apply to most hardware installation procedures and need to be observed to prevent damage or injury.

1. Always make sure that any power is disconnected to the vehicle before handling any electrical components like wiring, fuseboxes, connectors, etc.
2. Never force any connection between components, electrical connectors or the like.
3. Always use the proper tools for the task at hand. Using improper tools may cause damage to yourself, your vehicle, or your cellular telephone system.
4. Think through all the necessary steps of installation before actually beginning the procedure and equip yourself for all steps to be performed.
5. Always make sure your workspace and your tools are clean and tidy. The introduction of dirt or grease may hinder the performance of your cellular telephone and related components.

Installation Procedure

1. Before we begin

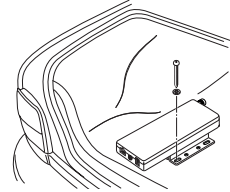
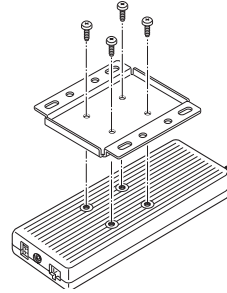
You will need the following items in order to properly install the cellular telephone in the trunk of an automobile.

- Your CMT9300 kit includes the following parts:
 1. Cradle (CR93)
 2. Mount Bracket (MT93)
 3. Power Cable (EPC91)
 4. Extension Cable (EIC91)
 5. Clamshell (CM5)
 6. Screw kit (SK93)
 7. HF Microphone (MIC40)
 8. Installation Manual (IMCMT9300)
- Your CMT9300 kit does not include the following parts:
 9. Stand for Cradle
 10. Screw (M5 × 25)

2. Mount the Transceiver unit

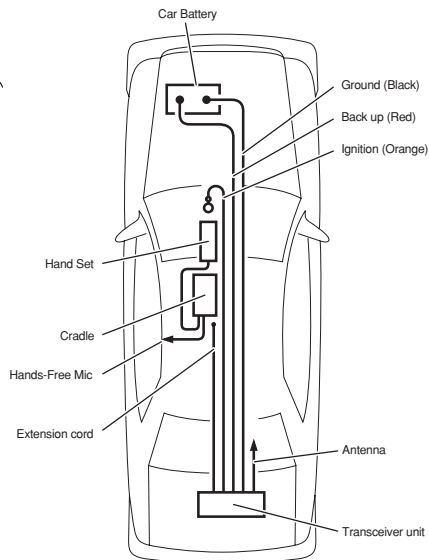
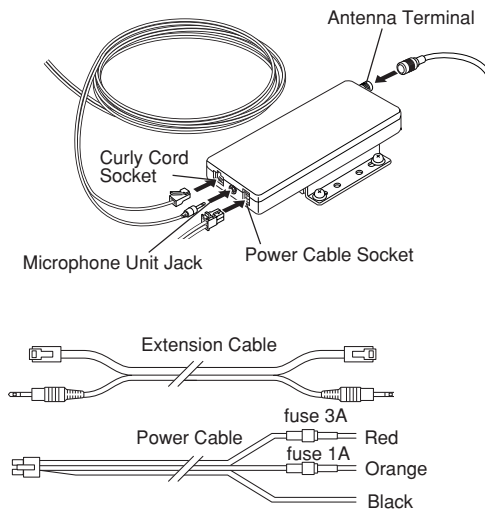
To install the cellular telephone with the transceiver unit located in the trunk-space of the automobile follow the steps outlined below.

- a. Place the mounting bracket so that the four bracket holes line up with the transceiver holes.
- b. Replace the four screws (supplied M4 × 8mm) in the screw kit so that the mounting bracket is secured to the transceiver unit.
- c. Place the unit top-side up (bracket feet down), utilizing the included flatwashers, insert the four self-tapping screws (M5 × 25mm is recommended) and tighten them down.



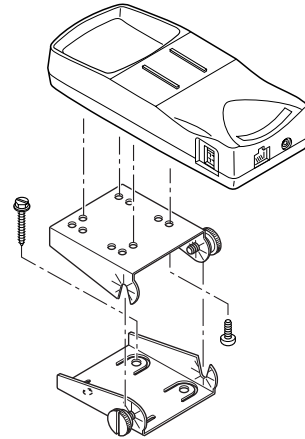
3. Wiring

- a. Connect the cables to the mounted transceiver unit using the supplied trunk mount extension cable as illustrated.

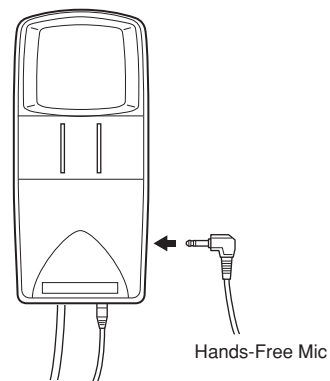
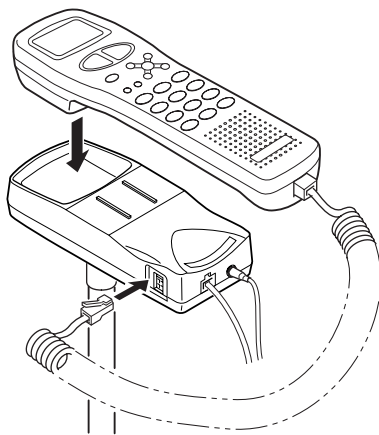


4. Mount the Cradle and Handset

- a. Using a pedestal mount. The cradle unit can be mounted as displayed. Be sure to use only supplied M4 × 8mm screws. Using improper screws will damage the cradle unit.



- b. Plug in the handset and Hands-Free Mic.



- c. Check to make sure ALL signal and power leads are in place and properly connected.

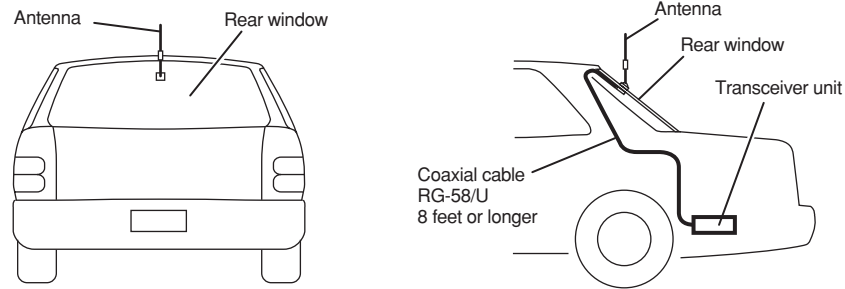
5. Antenna

The following are recommended antenna and cable installation instruction for Transceiver unit. Each antenna should only be used in the defined position. These instructions must be followed in order to comply with the FCC RF exposure requirements.

• Standard type 1

- Antenna type : Glass mount type (“thru-glass” antenna) - Colinear
- Mount location : Rear window of a vehicle
- Antenna cable : RG-58/U 8 feet (2.44m) or longer

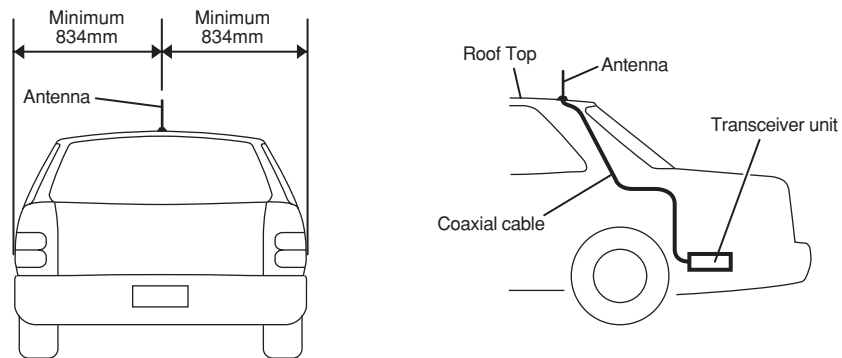
Install the antenna on the upper position of the rear window and centered as shown in the diagram below.



• Standard type 2

- Antenna type : Roof top mount type-1/4 λ Mono Pole
- Mount location : Roof top of a vehicle
- Antenna cable : SUMITOMO 2.4DS-FXL (or 2.4DS-GXLA) 10 feet (3.05m) or longer

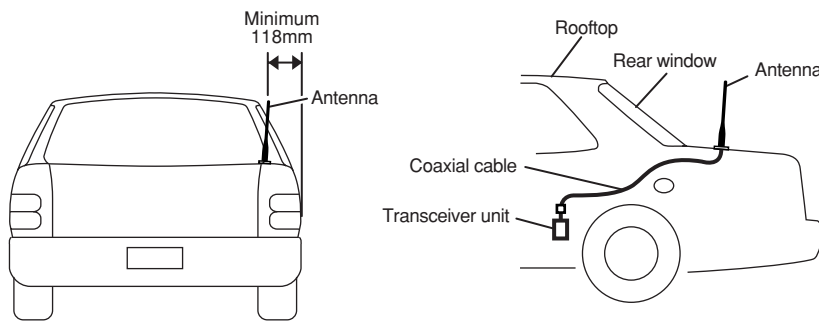
Install the antenna near the roof top rear and centered as shown in the diagram below.



- **Standard type 3**

- Antenna type : Colinear
- Mount location : On the right of trunk lid
- Antenna cable : SUMITOMO 2.4DS-GXLA, 2.5DS-GXCA 8.85 feet (2.7m) or longer

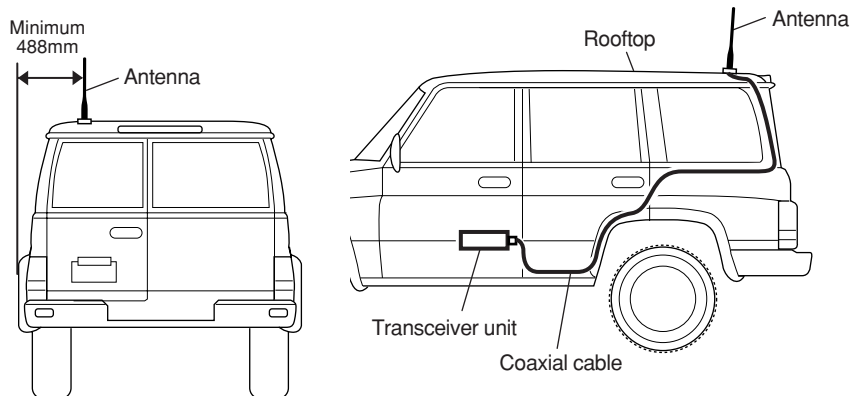
Install the antenna on the right position of the trunk lid as shown in the diagram below.



- **Standard type 4**

- Antenna type : Roof top mount type- $1/4\lambda$ Mono type
- Mount location : Roof top of a vehicle
- Antenna cable : SUMITOMO 2.4DS-GXLA, 2.5DS-GXCA 14.76 feet (4.5m) or longer

Install the antenna on the left position of the roof top as shown in the diagram below.



- **Standard type 5**

- Antenna type : Roof top mount type- $1/4\lambda$ Mono type
- Mount location : Roof top of a vehicle
- Antenna cable : SUMITOMO 2.4DS-GXLA, 2.5DS-GXCA, 2.5DS-GXCA
12.30 feet (3.75m) or longer

Install the antenna on the center position of the roof top as shown in the diagram below.

