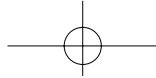


# ***INSTALLATION GUIDE FOR CELLULAR CAR TELEPHONE***



## Important

**There are some basic rules that apply to most hardware installation procedures and need to be observed to prevent damage or injury.**

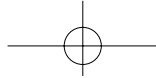
1. Always make sure that any power is disconnected to the vehicle before handling any electrical components like wiring, fuseboxes, connectors, etc.
2. Never force any connection between components, electrical connectors or the like.
3. Always use the proper tools for the task at hand. Using improper tools may cause damage to yourself, your vehicle, or your cellular telephone system.
4. Think through all the necessary steps of installation before actually beginning the procedure and equip yourself for all steps to be performed.
5. Always make sure your workspace and your tools are clean and tidy. The introduction of dirt or grease may hinder the performance of your cellular telephone and related components.

## Installation Procedure

### 1. Before we begin

You will need the following items in order to properly install the cellular telephone in the trunk of an automobile.

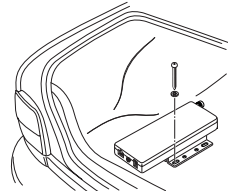
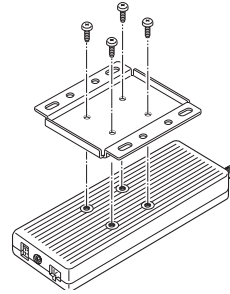
- Your CMT9300 kit includes the following parts:
  1. Cradle (CR93)
  2. Mount Bracket (MT93)
  3. Power Cable (EPC91)
  4. Extension Cable (EIC91)
  5. Clamshell (CM5)
  6. Screw kit (SK93)
  7. HF Microphone (MIC40)
  8. Installation Manual (IMCMT9300)
- Your CMT9300 kit does not include the following parts:
  9. Stand for Cradle
  10. Screw (M5 × 25)



## 2. Mount the Transceiver unit

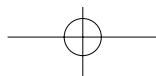
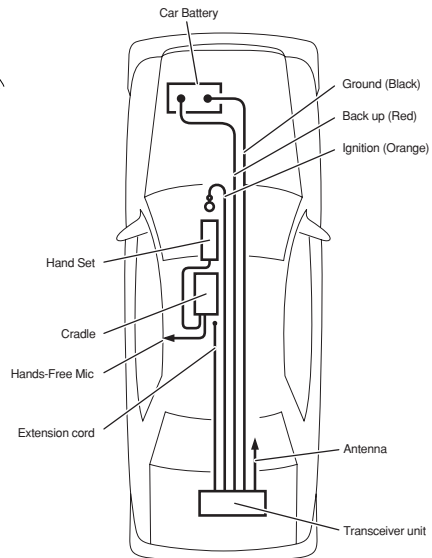
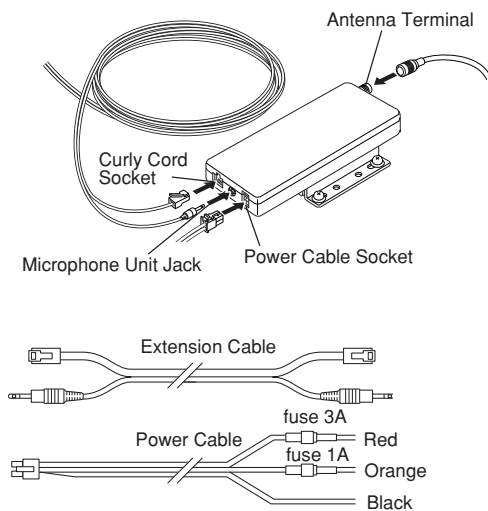
To install the cellular telephone with the transceiver unit located in the trunk-space of the automobile follow the steps outlined below.

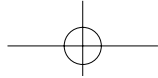
- a. Place the mounting bracket so that the four bracket holes line up with the transceiver holes.
- b. Replace the four screws (supplied M4 × 8mm) in the screw kit so that the mounting bracket is secured to the transceiver unit.
- c. Place the unit top-side up (bracket feet down), utilizing the included flatwashers, insert the four self-tapping screws (M5 × 25mm is recommended) and tighten them down.



## 3. Wiring

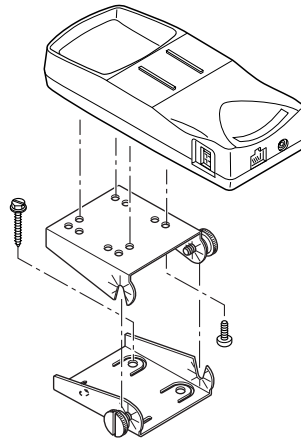
- a. Connect the cables to the mounted transceiver unit using the supplied trunk mount extension cable as illustrated.



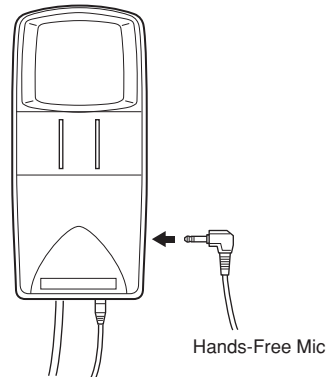
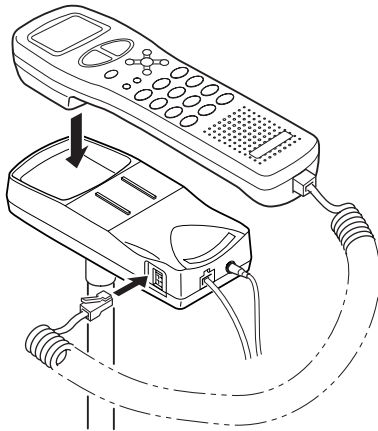


## 4. Mount the Cradle and Handset

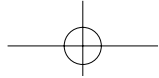
- a. Using a pedestal mount. The cradle unit can be mounted as displayed. Be sure to use only supplied M4 × 8mm screws. Using improper screws will damage the cradle unit.



- b. Plug in the handset and Hands-Free Mic.



- c. Check to make sure ALL signal and power leads are in place and properly connected.



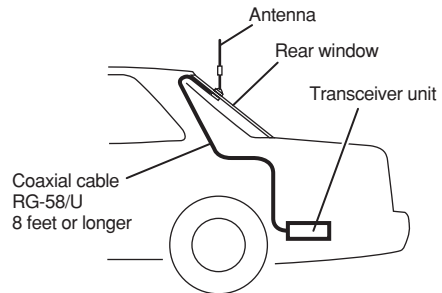
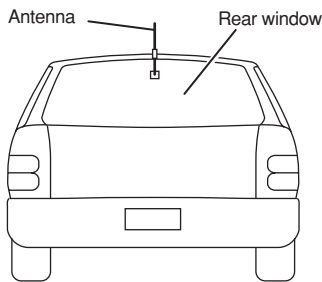
## 5. Antenna

The following are recommended antenna and cable installation instruction for Transceiver unit. These instructions must be followed in order to comply with the FCC RF exposure requirements.

### • Standard type 1

- Antenna type : Glass mount type ("thru-glass" antenna) - Colinear
- Mount location : Rear window of a vehicle
- Antenna cable : RG-58/U 8 feet (2.44m) or longer

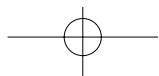
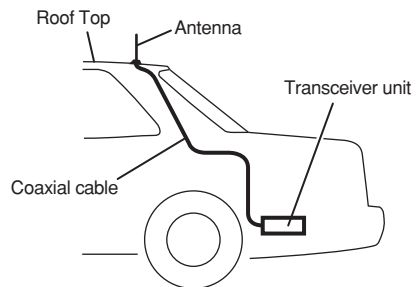
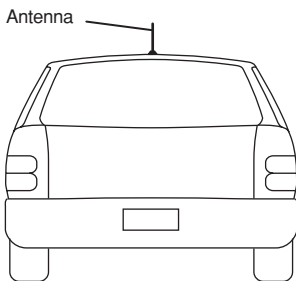
Install the antenna on the upper position of the rear window and centered as shown in the diagram below.

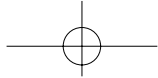


### • Standard type 2

- Antenna type : Roof top mount type- $1/4\lambda$  Mono Pole
- Mount location : Roof top of a vehicle
- Antenna cable : SUMITOMO 2.4DS-FXL (or 2.4DS-GXLA) 10 feet (3.05m) or longer

Install the antenna near the roof top rear and centered as shown in the diagram below.

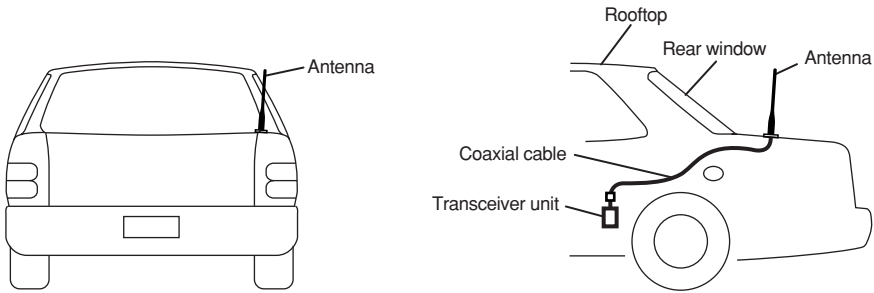




• **Standard type 3**

- Antenna type : Colinear
- Mount location : On the right of trunk lid
- Antenna cable : SUMITOMO 2.4DS-GXLA, 2.5DS-GXCA 8.85 feet (2.7m) or longer

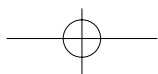
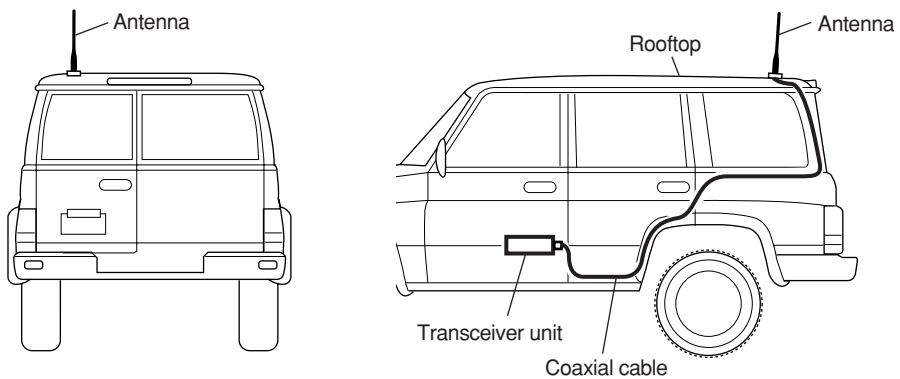
Install the antenna on the right position of the trunk lid as shown in the diagram below.

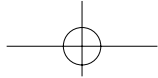


• **Standard type 4**

- Antenna type : Roof top mount type-1/4λ Mono type
- Mount location : Roof top of a vehicle
- Antenna cable : SUMITOMO 2.4DS-GXLA, 2.5DS-GXCA 14.76 feet (4.5m) or longer

Install the antenna on the left position of the roof top as shown in the diagram below.





- **Standard type 5**

- Antenna type : Roof top mount type- $1/4\lambda$  Mono type
- Mount location : Roof top of a vehicle
- Antenna cable : SUMITOMO 2.4DS-GXLA, 2.5DS-GXCA, 2.5DS-GXCA  
12.30 feet (3.75m) or longer

Install the antenna on the center position of the roof top as shown in the diagram below.

