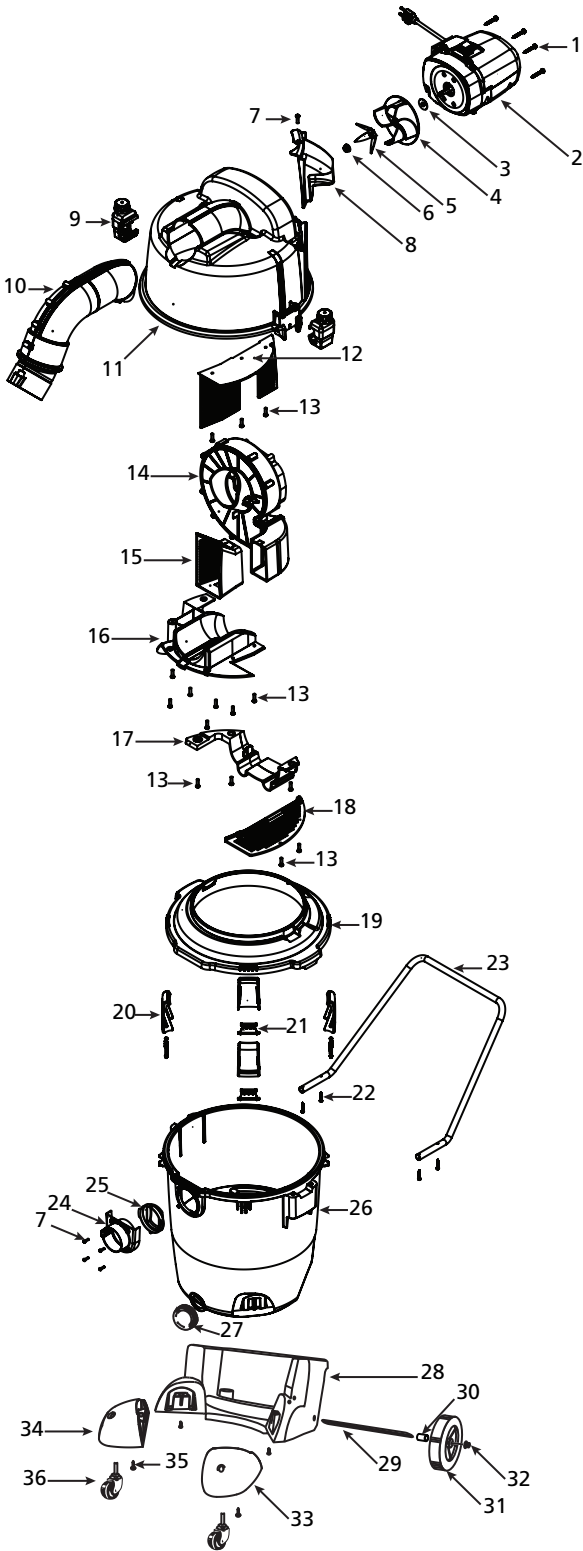


# MV Series

# Model MV35



ITEM	DESCRIPTION	PART NO.
1	Screw #10 x 1 1/2 Type A	1504299
2	Mulcher Power Unit*	1944621
3	Spacer	2940911
4	Impeller	8830700
5	4 Vane Metal Blade	8833301
6	Nut, 3/8 - 24, Hex, SR	1362902
7	Screw #10 Trilobe THD	1517799
8	Exhaust Deflector	8833500
9	Screw Latch Sub Assembly	8831497
10	Inlet Sub Assembly	8831097
11	Mulcher Cover	1944622
12	Filter Wall Side	8832500
13	Screw #10 Trilobe, Twin Lead	1517699
14	Impeller Housing	8830597
15	Filter Wall Exit	8832400
16	Skeleton Large Side	8833600
17	Skeleton Small Side	8833700
18	Filter Wall Bottom	8832600
19	Adapter, 22" - 16"	8831600
20	Tank Latch	8832300
21	Tank Latch Hinge	8832200
22	Screw 1/4-20 AB 2 Long Slot Hex	1512199
23	Carriage Handle	8833800
24	Tank Inlet	8832100
25	Cap Inlet	8831800
26	Tank	1092697
27	Drain Cover	7446800
28	Rear Dolly/Basket	7417350
29	Axle	2442700
30	Spacer	1101999
31	Wheel	2421000
32	Cap Nut	4300299
33	Caster Foot A	7431330
34	Caster Foot B	7431350
35	Screw 10 x 3/4 SI Hx Hd Wash Ab	1503999
36	Caster	6771400

\* Includes items 2-6

\*\* Replacement parts may differ from original equipment.

## TWO-YEAR HOME USE WARRANTY

Your Shop-Vac® vacuum cleaner is warranted in normal household use, in accordance with the User Manual, against original defects in material and workmanship for a period of two years from date of purchase. Should this product be used for commercial or rental use, a 90 day limited warranty will apply. Shop-Vac Corporation warrants placing this vacuum cleaner in correct operating condition, by repair or parts replacement, during the warranty period, without charge. This warranty does not cover accessories. Use of non-recommended filters and/or accessories may void the manufacturer's warranty.

For product service contact Shop-Vac Corporation, Customer Service, at (570) 326-3557 or e-mail [service@shopvac.com](mailto:service@shopvac.com). Shop-Vac® assumes no responsibility for damage or faulty performance caused by misuse or careless handling, or where repairs or modifications have been made or attempted by others. Proof of purchase date is required. This warranty gives you specific legal rights, and you may also have other rights, which vary from state to state. This warranty is void outside of the United States.