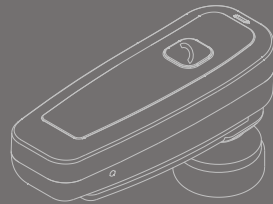




SX-919



## 3 In 1 Bluetooth Headset User Manual

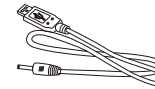
## 1. Components



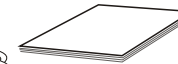
Bluetooth Headset



Plastic Hook

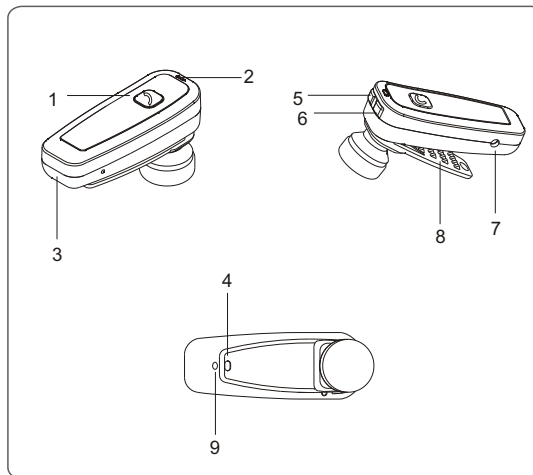


USB cable



User Manual

## 2. Identify the control buttons



- |                          |             |              |
|--------------------------|-------------|--------------|
| 1 Multifunctional Button | 2 Indicator | 3 Microphone |
| 4 Hole for Lanyard       | 5 Volume +  | 6 Volume -   |
| 7 Charge Interface       | 8 Clip      | 9 Buzzer     |

## 3. How to use

### 1 Charging the battery

1.1 This bluetooth headset covers a built-in rechargeable battery, please charge at least 4 hours before using it for the first time.

1.2 The bluetooth headset can be on or off during charging it. When it's charging, the indicator shows a steady red light. After the battery is fully charged, the indicator automatically shut off.

1.3 When it's with low battery, the indicator shows red shimmering light, then you can hear "Du-" voice, after it finished, the headset automatically shut off.

1.4 The USB is used for charging, it takes about 1 to 1.5 hours to fully recharging the battery.

### 2 Turn on/off the headset

With the headset turned off, please press the Multifunctional button for 3 seconds, it will show blue light flashing alternatively and the headset will ring "Di-di-di", the headset goes into turning on and pairing.

With the headset turned on, please press the Multifunctional button for 3 seconds until you hear one "Du-" voice and the headset will ring "Di-di-di", the indicator shows a steady red light and switches off.

#### 4. Pairing Mobile Phone with Bluetooth Headset

- \* Press the Multifunctional button more than 5 seconds to turn it on, and the indicator shows red and blue light flashing alternatively to pair.
- \* Make sure the bluetooth function of the mobile phone is on, then get into "Searching for bluetooth device". When SX-919 appears in the display, press YES. Enter the code(0000), when pairing has been completed, the indicator will show blue flashing.
- \* When the headset is turned off, if you want to use it to the mobile phone again, you only need to press the multifunctional button more than 3 minutes until it shows blue flashing, it can be paired with the mobile phone automatically.

##### Answer a call

When a call is coming, you may hear "Du-du" voice from the headset, please press the multifunctional button for 2 seconds, then you can answer.

##### Reject a call

When the mobile phone rings, keep pressing the multifunctional button for 2 seconds, the call will end.

#### 4. Pairing Mobile Phone with Bluetooth Headset

##### End a call

Press the multifunctional button again to end the call.

##### Volume control

When using the headset for calling, press volume + or volume - to control the volume.

##### Voice dialing (The mobile phone must have voice dialing function)

When there is no calling, press the multifunctional button for half a second until you hear "Du-", then release your hand. The user can hear the indication of voice dialing, only need to speak out the name of the person that you want to talk to.

##### Using the phone to dial

When the headset paired with the mobile phone, you may dial directly.

##### Redial

When there is no calling, press the multifunctional button for twice in half a second. It will redial the last number that you called.

#### 5. Pairing the computer with Bluetooth Headset

Using a USB dongle to make the PC pairing with bluetooth headset, then set up the "audio-in" and "audio-out" of QQ, MSN etc. to "Bluetooth SCO Audio", you can enjoy the internet chatting.

5.2 Using the dongle and BlueSoleil operating software to make the headset connect to PC. When the headset shut down, just press the multifunctional button until the indicator shows red and blue light flashing alternatively.

5.3 Turn on the BlueSoleil and search for the bluetooth device, then choose SX-919 of the display on the screen, right click to pair them. Enter the pair code(0000), and click confirmation key to finish the pair procedure.

Then there is an indicative voice and the indicator shows blue flashing, and press the multifunctional button for half a second, the headset will be connected with the computer.



#### 6. Specification

Comply with the agreements of Bluetooth Specification

V2.0 with EDR

Feasible distance: within 10m

Normal charging time:  $\leq 2$  hours

Frequency: 2400.0-2483.5MHz

Calling time:  $\geq 4.5$  hours

Standby time:  $\geq 120$  hours

Headset size: 47(L)\*17.5(W)\*28(H)mm

Weight: 10.8 g  $\pm$  2g

\*There would be some differences due to different space or the quality of the mobile phone. If there is something between the headset and the mobile phone, sometimes the signal will be disturbed. That's normal.

\*The calling time depends on your calling habit or your mobile phone.

**FCC Caution:**

Any Changes or modifications not expressly approved by the party responsible for compliance could void the user's authority to operate the equipment.

This device complies with part 15 of the FCC Rules. Operation is subject to the following two conditions:

- (1) This device may not cause harmful interference, and
- (2) This device must accept any interference received, including interference that may cause undesired operation.

**IMPORTANT NOTE:****FCC Radiation Exposure Statement:**

This equipment complies with FCC radiation exposure limits set forth for an uncontrolled environment .

This transmitter must not be co-located or operating in conjunction with any other antenna or transmitter.