

Thank you for purchasing SX-940 Headband Stereo Bluetooth Headset

Believe SX-940 will make you fully satisfied.
And make you enjoy unlimited music freely.

This user manual assist you in using SX-940 stereo Bluetooth Headset.

Quick Start Guide

SX-940 Headband Stereo Bluetooth Headset



1. Volume+/Previous & Volume-/Next

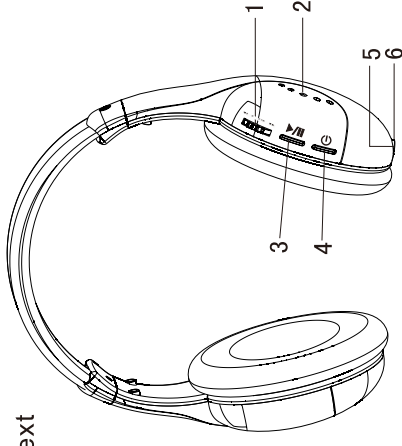
2. Indicator Light

3. Multifunction button
(Play/ Pause/ Stop/ Pair)

4. Power on/off

5. Microphone

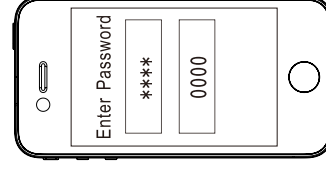
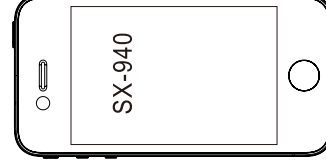
6. Charge interface
(External audio socket)



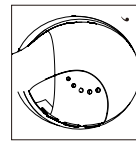
Size : 145 * 180 * 80 MM

Before using your new SX-940 Bluetooth Headset for the first time, make sure it can match up to the mobile phone.

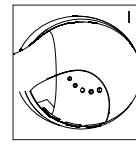
1. Make sure the headset already charged, the mobile is turned on, the bluetooth function is available.
2. After turn off the headset, press until headset red and blue light flash alternately.
3. To match headset with mobile.



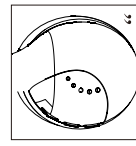
“0000”
not required for
some mobile phones



Tap



Hold



Double
tap

Turn on/ off	press until blue light on/blue and red light off
Play/ pause	Press /
The previous/next	Short press / + VOLUME - / +
Adjust volume	Long press + + VOLUME - / + + VOLUME - / +
Answer/ End a call	Press /
Reject a call	Hold /
Redial the last dialed-out number	Double tap /
Active voice dialing	Hold /
Switch call	Hold /
Pair	Hold

FCC STATEMENT

1. This device complies with Part 15 of the FCC Rules.

Operation is subject to the following two conditions:

(1) This device may not cause harmful interference, and

(2) This device must accept any interference received, including interference that may cause undesired operation.

2. Changes or modifications not expressly approved by the party responsible for compliance could void the user's authority to operate the equipment.

NOTE: This equipment has been tested and found to comply with the limits for a Class B digital device, pursuant to Part 15 of the FCC Rules. These limits are designed to provide reasonable protection against harmful interference in a residential installation. This equipment generates, uses and can radiate radio frequency energy and, if not installed and used in accordance with the instructions, may cause harmful interference to radio communications. However, there is no guarantee that interference will not occur in a particular installation. If this equipment does cause harmful interference to radio or television reception, which can be determined by turning the equipment off and on, the user is encouraged to try to correct the interference by one or more of the following measures:

-- Reorient or relocate the receiving antenna.

-- Increase the separation between the equipment and receiver.

-- Connect the equipment into an outlet on a circuit different from that to which the receiver is connected.

-- Consult the dealer or an experienced radio/TV technician for help.