

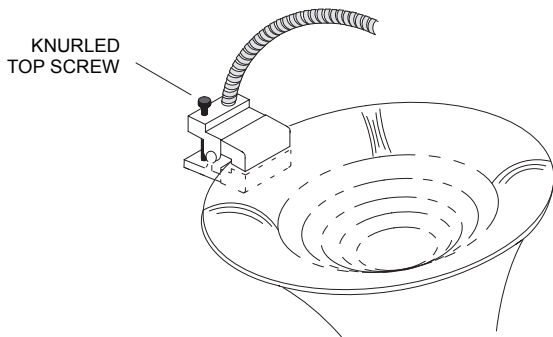
GENERAL

The Model A98KCS Horn Mount is a versatile device that securely attaches Shure SM98 or WM98 microphones to a horn, wind, or reed instrument in the exact position desired while protecting the instrument and its finish. The cushioned grip is manually tightened and securely clamps the rim of the horn. Non-marking neoprene rubber on the grip prevents marring the bell or its rim.

A short gooseneck (165 mm [6-1/2 in.]) attached to the clamp terminates in a shock-mount adapter for the SM98 or WM98 microphone. The gooseneck length can be adjusted to facilitate locating the microphone in precisely the desired position in the bell of a horn. A side screw locks the gooseneck in the chosen position.

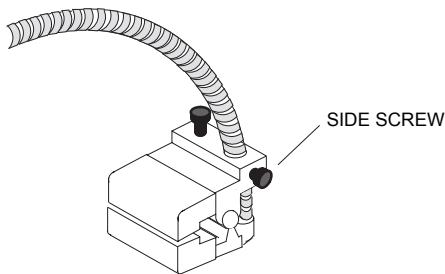
MOUNTING

1. Attach the cushioned grip to the desired location on the bell of the instrument and tighten the knurled top thumbscrew to hold the clamp in place. See Figure 1.



ATTACH CLAMP TO HORN
FIGURE 1

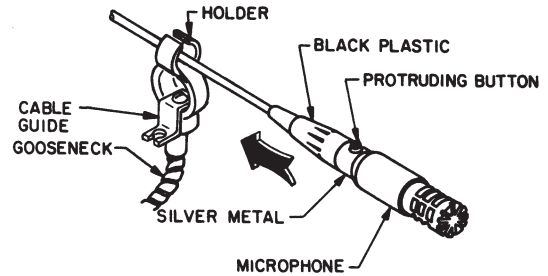
2. Loosen the knurled side screw on the A98KCS and adjust the length of the gooseneck in the clamp. Tighten the screw. See Figure 2.



USE SIDE SCREW TO ADJUST LENGTH OF GOOSENECK
FIGURE 2

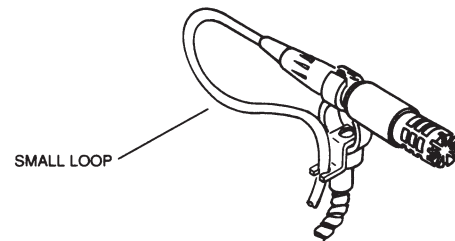
NOTE: A supplied optional 1/16-inch setscrew and hex wrench can be used to replace the side screw when repeated adjustments of the gooseneck length are not required.

3. Insert the SM98 or WM98 microphone in the shock mount holder by slipping the cable through the slot and sliding the connector back through the opening until the protruding black cable lock button is in the open slot and the back of the microphone itself stops flush with the front of the holder. Only the silver metal segment of the connector is held by the holder. See Figure 3.



INSERT SM98 IN HOLDER
FIGURE 3

4. Slip the cable through the slot in the cable guide (see Figure 4) and route the cable away from the horn to prevent transmission of noise and vibration through the cable.



RETAIN CABLE IN GUIDE
FIGURE 4

5. Select the desired location of the microphone by bending the gooseneck as required. If necessary re-adjust the gooseneck length as described in step 2.
6. To prevent wind noise, use the windscreen supplied with the microphone.