

RFU650 UHF Antenna



For industrial and logistic applications

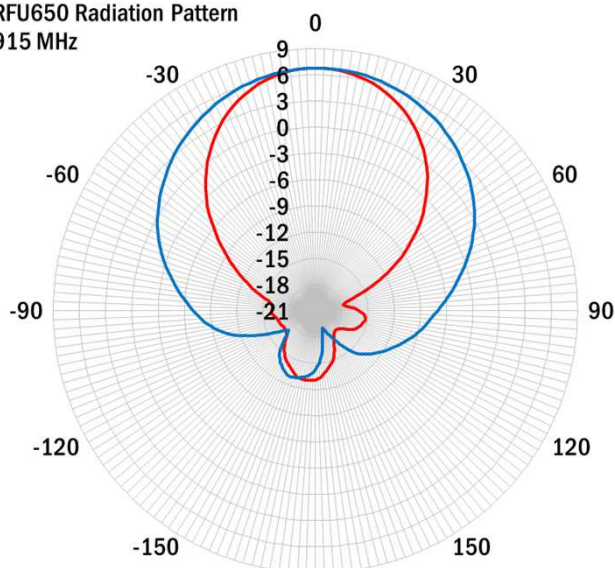


Compact sized, right hand circular polarized double Patch Antenna with high gain and good Front-to-Back Ratio.

TECHNICAL DATA

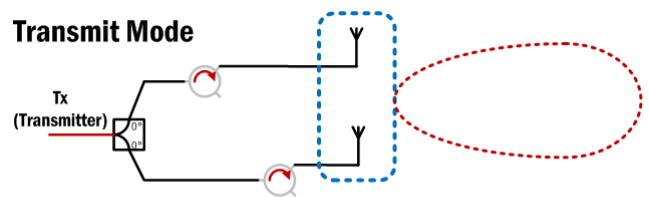
Type	RFU 650 FCC
Frequency range	902-928 MHz (FCC)
Polarisation	RHCP
VSWR	< 1.2
Gain	6.8 dBic (+/- 1dB)
Axial Ratio	< 2dB (typ. 1dB) (+/-1dB)
3dB Beamwidth horizontal	50° (typ.)
3dB Beamwidth vertical	80° (typ.)
Front-toBack Ratio	> 15dB
Dimensions	400 x 252 x 70mm (RFU650 Enclosure)

RFU650 Radiation Pattern
915 MHz

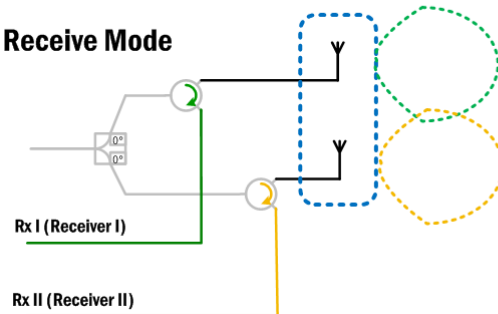


— RFU650_realized gain total (dBic) horizontal mount
— RFU650_realized gain total (dBic) vertical mount

Transmit Mode



Receive Mode



ANTENNA OPERATING MODES