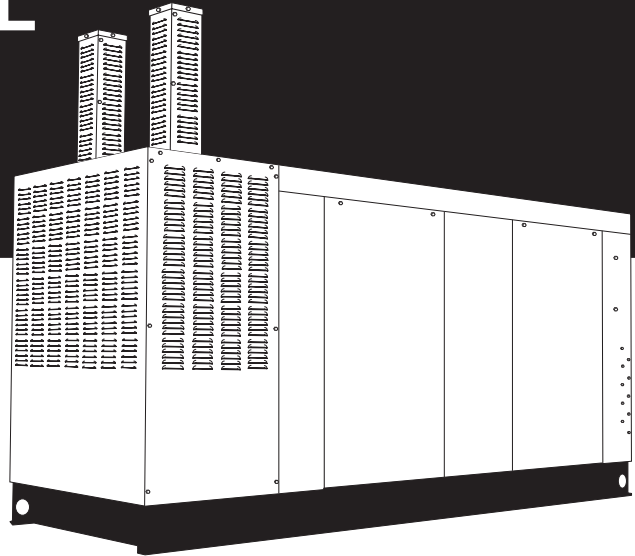


Serial Number

**6.8L
130kW
Models**

**STANDBY GENERATOR
OWNER'S MANUAL**



A new standard of reliability

SIEMENS

⚠ Not intended for use in critical life support applications. ⚠

— ⚠ **CAUTION** ⚠ —

**ONLY QUALIFIED ELECTRICIANS OR CONTRACTORS SHOULD ATTEMPT INSTALLATION!
DEADLY EXHAUST FUMES. OUTDOOR INSTALLATION ONLY!**

This manual should remain with the unit.

SECTION	PAGE
SAFETY RULES	1-1
INTRODUCTION	1-3
Read this Manual Thoroughly	1-3
Operation and Maintenance	1-3
How to Obtain Service	1-3
IDENTIFICATION RECORD	2-1
Data Label	2-1
EQUIPMENT DESCRIPTION	3-1
Equipment Description	3-1
Engine Oil Recommendations	3-1
Coolant Recommendations	3-1
ENGINE PROTECTIVE DEVICES	4-1
Coolant Temperature Sensing	4-1
Low Coolant Level	4-1
Oil Pressure Sensing	4-1
Overcrank Shutdown	4-1
Overspeed Shutdown	4-1
RPM Sensor Loss Shutdown	4-1
DC Fuse	4-1
FUEL SYSTEMS	5-1
Fuel Requirements	5-1
Natural Gas Fuel System	5-1
Propane Vapor Withdrawal Fuel System	5-1
LP Fuel System	5-1
SPECIFICATIONS	6-1
Generator	6-1
Engine	6-1
Cooling System	6-1
Fuel System	6-1
Electrical System	6-1
Cold Weather Kit	6-2
5.4L & 6.8L Ignition Description	6-3
Ignition Power-up Input ("56 Line Input")	6-3
Ignition Enable ("14 Line Input")	6-3
Ignition Shutdown on Loss of Crank or CAM Signals	6-3
Diagnostic Blink Patterns (Red LED Located on the Ignition Control Board)	6-3
GENERAL INFORMATION	7-1
Generator AC Lead Connections	7-1
Four-lead, Single-phase Stator	7-1
Alternator Power Winding Connections	7-1
3-phase Alternators	7-1
INSTALLATION	8-1
Installation	8-1
Preparation Before Start-up	8-1
Transfer Switch	8-1
Fuel System	8-1
Generator Set Lubrication	8-1
Prior to Initial Start-up	8-1
Initial Inspection for QT Genset Start-up	8-2
Start-up Inspection	8-2
OPERATION	9-1
Generator Control and Operation	9-1
Operating Unit with Automatic Transfer Switch	9-1
Operating Unit with Manual Transfer Switch	9-1
Engine Start-up and Transfer	9-1
Retransfer and Shutdown	9-1
MAINTENANCE	10-1
Maintenance Performed by Authorized Service Facilities	10-1
Cooling System	10-1
Checking Fluid Levels	10-1
Check Engine Oil	10-1
Battery Fluid	10-1
Engine Coolant	10-2
Maintenance Owner/Operator Can Perform	10-2
Check Engine Oil Level	10-2
Check Battery	10-2
Exercise System	10-2
Inspect Cooling System	10-2
Check Engine Coolant Level	10-2
Perform Visual Inspection	10-2
Inspect Exhaust System	10-2
Check Fan Belt	10-2
Inspect Engine Governor	10-2
Changing Engine Oil	10-2
Changing the Engine Air Cleaner	10-3
Spark Plugs	10-3
Coolant Change	10-3
Miscellaneous Maintenance	10-3
Cleaning the Generator	10-3
Battery	10-4
Battery Maintenance	10-4
Battery Replacement	10-4
SERVICE SCHEDULE	11-1
30 kW - 150 kW Standby Gas Engine Driven Generator Sets	11-1
TROUBLESHOOTING	12-1
Troubleshooting Guide	12-1
NOTES	
EXPLODED VIEWS & PARTS LISTS	
WIRING DIAGRAMS & SCHEMATICS	
WARRANTY	



Standby Generator Sets Important Safety Instructions



⚠ SAVE THESE INSTRUCTIONS – *The manufacturer suggests that these rules for safe operation be copied and posted in potential hazard areas. Safety should be stressed to all operators, potential operators, and service and repair technicians for this equipment.* **⚠**



WARNING:



The engine exhaust from this product contains chemicals known to the state of California to cause cancer, birth defects or other reproductive harm.



WARNING:



This product contains or emits chemicals known to the state of California to cause cancer, birth defects or other reproductive harm.

Study these SAFETY RULES carefully before installing, operating or servicing this equipment. Become familiar with this Owner's Manual and with the unit. The generator can operate safely, efficiently and reliably only if it is properly installed, operated and maintained. Many accidents are caused by failing to follow simple and fundamental rules or precautions.

The manufacturer cannot anticipate every possible circumstance that might involve a hazard. The warnings in this manual, and on tags and decals affixed to the unit are, therefore, not all inclusive. If a procedure, work method or operating technique is used that the manufacturer does not specifically recommend, ensure that it is safe for others. Also make sure the procedure, work method or operating technique utilized does not render the generator unsafe.

⚠ DANGER ⚠

- ⚠** Despite the safe design of this generator, operating this equipment imprudently, neglecting its maintenance or being careless can cause possible injury or death. Permit only responsible and capable persons to install, operate or maintain this equipment.
- ⚠** Potentially lethal voltages are generated by these machines. Ensure all steps are taken to render the machine safe before attempting to work on the generator.
- ⚠** Parts of the generator are rotating and/or hot during operation. Exercise care near running generators.

⚠ GENERAL HAZARDS ⚠

- For safety reasons, the manufacturer recommends that this equipment be installed, serviced and repaired by an Authorized Service Dealer or other competent, qualified electrician or installation technician who is familiar with applicable codes, standards and regulations. The operator also must comply with all such codes, standards and regulations.
- Installation, operation, servicing and repair of this (and related) equipment must always comply with applicable codes, standards, laws and regulations. Adhere strictly to local, state and national electrical and building codes. Comply with regulations the Occupational Safety and Health Administration (OSHA) has established. Also, ensure that the generator is installed, operated and serviced in accordance with the manufacturer's instructions and recommendations. Following installation, do nothing that might render the unit unsafe or in noncompliance with the aforementioned codes, standards, laws and regulations.
- The engine exhaust fumes contain carbon monoxide gas, which can be DEADLY. This dangerous gas, if breathed in sufficient concentrations, can cause unconsciousness or even death. For that reason, adequate ventilation must be provided. Exhaust gases must be piped safely away from any building or enclosure that houses the generator to an area where people, animals, etc., will not be harmed. This exhaust system must be installed properly, in strict compliance with applicable codes and standards.
- Keep hands, feet, clothing, etc., away from drive belts, fans, and other moving or hot parts. Never remove any drive belt or fan guard while the unit is operating.
- Adequate, unobstructed flow of cooling and ventilating air is critical in any room or building housing the generator to prevent buildup of explosive gases and to ensure correct generator operation. Do not alter the installation or permit even partial blockage of ventilation provisions, as this can seriously affect safe operation of the generator.
- Keep the area around the generator clean and uncluttered. Remove any materials that could become hazardous.
- When working on this equipment, remain alert at all times. Never work on the equipment when physically or mentally fatigued.
- Inspect the generator regularly, and promptly repair or replace all worn, damaged or defective parts using only factory-approved parts.



Standby Generator Sets Important Safety Instructions



- Before performing any maintenance on the generator, disconnect its battery cables to prevent accidental start-up. Disconnect the cable from the battery post indicated by a NEGATIVE, NEG or (-) first. Reconnect that cable last.
- Never use the generator or any of its parts as a step. Stepping on the unit can stress and break parts, and may result in dangerous operating conditions from leaking exhaust gases, fuel leakage, oil leakage, etc.

ELECTRICAL HAZARDS

- All generators covered by this manual produce dangerous electrical voltages and can cause fatal electrical shock. Utility power delivers extremely high and dangerous voltages to the transfer switch as well as the standby generator. Avoid contact with bare wires, terminals, connections, etc., on the generator as well as the transfer switch, if applicable. Ensure all appropriate covers, guards and barriers are in place before operating the generator. If work must be done around an operating unit, stand on an insulated, dry surface to reduce shock hazard.
 - Do not handle any kind of electrical device while standing in water, while barefoot, or while hands or feet are wet. DANGEROUS ELECTRICAL SHOCK MAY RESULT.
 - If personnel must stand on metal or concrete while installing, operating, servicing, adjusting or repairing this equipment, place insulative mats over a dry wooden platform. Work on the equipment only while standing on such insulative mats.
 - The National Electrical Code (NEC) requires the frame and external electrically conductive parts of the generator to be connected to an approved earth ground. This grounding will help prevent dangerous electrical shock that might be caused by a ground fault condition in the generator set or by static electricity. Never disconnect the ground wire.
 - Wire gauge sizes of electrical wiring, cables and cord sets must be adequate to handle the maximum electrical current (ampacity) to which they will be subjected.
 - Before installing or servicing this (and related) equipment, make sure that all power voltage supplies are positively turned off at their source. Failure to do so will result in hazardous and possibly fatal electrical shock.
 - Connecting this unit to an electrical system normally supplied by an electric utility shall be by means of a transfer switch so as to isolate the generator electric system from the electric utility distribution system when the generator is operating. Failure to isolate the two electric system power sources from each other by such means will result in damage to the generator and may also result in injury or death to utility power workers due to backfeed of electrical energy.
- Generators installed with an automatic transfer switch will crank and start automatically when normal (utility) source voltage is removed or is below an acceptable preset level. To prevent such automatic start-up and possible injury to personnel, disable the generator's automatic start circuit (battery cables, etc.) before working on or around the unit. Then, place a "Do Not Operate" tag on the generator control panel and on the transfer switch.
 - In case of accident caused by electric shock, immediately shut down the source of electrical power. If this is not possible, attempt to free the victim from the live conductor. AVOID DIRECT CONTACT WITH THE VICTIM. Use a nonconducting implement, such as a dry rope or board, to free the victim from the live conductor. If the victim is unconscious, apply first aid and get immediate medical help.
 - Never wear jewelry when working on this equipment. Jewelry can conduct electricity resulting in electric shock, or may get caught in moving components causing injury.

FIRE HAZARDS

- Keep a fire extinguisher near the generator at all times. Do NOT use any carbon tetra-chloride type extinguisher. Its fumes are toxic, and the liquid can deteriorate wiring insulation. Keep the extinguisher properly charged and be familiar with its use. If there are any questions pertaining to fire extinguishers, consult the local fire department.

EXPLOSION HAZARDS

- Properly ventilate any room or building housing the generator to prevent build-up of explosive gas.
- Do not smoke around the generator. Wipe up any fuel or oil spills immediately. Ensure that no combustible materials are left in the generator compartment, or on or near the generator, as FIRE or EXPLOSION may result. Keep the area surrounding the generator clean and free from debris.
- These generator sets may operate using one of several types of fuels. All fuel types are potentially FLAMMABLE and/or EXPLOSIVE and should be handled with care. Comply with all laws regulating the storage and handling of fuels. Inspect the unit's fuel system frequently and correct any leaks immediately. Fuel supply lines must be properly installed, purged and leak tested according to applicable fuel-gas codes before placing this equipment into service.
- Diesel fuels are highly FLAMMABLE. Gaseous fluids such as natural gas and liquid propane (LP) gas are extremely EXPLOSIVE. Natural gas is lighter than air, and LP gas is heavier than air; install leak detectors accordingly.



INTRODUCTION

Thank you for purchasing this model of the standby generator set product line.

Every effort was expended to make sure that the information and instructions in this manual were both accurate and current at the time the manual was written. However, the manufacturer reserves the right to change, alter or otherwise improve this product(s) at any time without prior notice.

◆ READ THIS MANUAL THOROUGHLY

If any portion of this manual is not understood, contact the nearest Authorized Service Dealer for starting, operating and servicing procedures.

Throughout this publication, and on tags and decals affixed to the generator, DANGER, WARNING, CAUTION and NOTE blocks are used to alert personnel to special instructions about a particular service or operation that may be hazardous if performed incorrectly or carelessly. Observe them carefully. Their definitions are as follows:



After this heading, read instructions that, if not strictly complied with, will result in personal injury or property damage.



After this heading, read instructions that, if not strictly complied with, may result in personal injury or property damage.



After this heading, read instructions that, if not strictly complied with, could result in damage to equipment and/or property.


NOTE:

After this heading, read explanatory statements that require special emphasis.


These safety warnings cannot eliminate the hazards that they indicate. Common sense and strict compliance with the special instructions while performing the service are essential to preventing accidents.

Four commonly used safety symbols accompany the DANGER, WARNING and CAUTION blocks. The type of information each indicates is as follows:

 This symbol points out important safety information that, if not followed, could endanger personal safety and/or property of others.

 This symbol points out potential explosion hazard.

 This symbol points out potential fire hazard.

 This symbol points out potential electrical shock hazard.

The operator is responsible for proper and safe use of the equipment. The manufacturer strongly recommends that the operator read this Owner's Manual and thoroughly understand all instructions before using this equipment. The manufacturer also strongly recommends instructing other users to properly start and operate the unit. This prepares them if they need to operate the equipment in an emergency.

◆ OPERATION AND MAINTENANCE

It is the operator's responsibility to perform all safety checks, to make sure that all maintenance for safe operation is performed promptly, and to have the equipment checked periodically by an Authorized Service Dealer. Normal maintenance service and replacement of parts are the responsibility of the owner/operator and, as such, are not considered defects in materials or workmanship within the terms of the warranty. Individual operating habits and usage contribute to the need for maintenance service.

Proper maintenance and care of the generator ensure a minimum number of problems and keep operating expenses at a minimum. See an Authorized Service Dealer for service aids and accessories.

Operating instructions presented in this manual assume that the standby electric system has been installed by an Authorized Service Dealer or other competent, qualified contractor. Installation of this equipment is not a "do-it-yourself" project.

◆ HOW TO OBTAIN SERVICE

When the generator requires servicing or repairs, simply contact an Authorized Service Dealer for assistance. Service technicians are factory-trained and are capable of handling all service needs.

When contacting an Authorized Service Dealer or the factory about parts and service, always supply the complete model number of the unit as given on the front cover of this manual or on the DATA LABEL affixed to the unit.

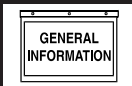
AUTHORIZED SERVICE DEALER LOCATION

To locate the nearest AUTHORIZED SERVICE DEALER, please call this number:

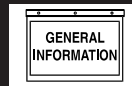
1-800-333-1322

or locate us on the web at:

www.generac.com



Standby Generator Sets General Information



IDENTIFICATION RECORD

◆ DATA LABEL

Every generator set has a DATA LABEL that contains important information pertinent to the generator. The data label, which can be found attached to the generator's lower connection box, lists the unit's serial number and its rated voltage, amps, wattage capacity, phase, frequency, rpm, power factor, etc.

NOTE:

For actual information related to this particular model, please refer to the Manual Drawing Listing located at the end of this manual, or to the data label affixed to the unit.

✦ Generator Model and Serial Number

This number is the key to numerous engineering and manufacturing details pertaining to your unit. Always supply this number when requesting service, ordering parts or seeking information.

Data Label

GENERATOR SET DATA		MADE IN USA
MODEL	<input type="text"/>	SERIAL <input type="text"/>
RATED KW	<input type="text"/>	RATED KVA <input type="text"/> PHASE <input type="text"/>
RATED VOLTAGE	<input type="text"/>	RATED AMPS <input type="text"/>
POWER FACTOR	<input type="text"/>	HERTZ <input type="text"/> ALT RPM <input type="text"/>
ENGINE RPM	<input type="text"/>	PRODUCTION DATE <input type="text"/>
ALTERNATOR SUBTRANSIENT REACTANCE		<input type="text"/>
ALTERNATOR TRANSIENT REACTANCE		<input type="text"/>
CLASS	<input type="checkbox"/>	ROTOR <input type="checkbox"/> STATOR WINDING INSULATION AT 25°C AMBIENT

GENERAC POWER SYSTEMS, INC.

EQUIPMENT DESCRIPTION

This equipment is a revolving field, alternating current generator set. It is powered by a gaseous fueled engine operating at 1800 rpm for 4-pole direct drive units, 3600 rpm for 2-pole direct drive units and 2300 - 3000 rpm for quiet drive gear units. See the Specifications section for exact numbers. The unit comes complete with a sound attenuated enclosure, internally mounted muffler, control console, main-line circuit breaker, battery charger, and protective alarms as explained in the following paragraph.

All AC connections, including the power leads from the alternator, 120 volt battery charger input and control connections to the transfer switch are available in the main connection box.

The generator incorporates the following generator features:


- Rotor and Stator insulation is Class H rated as defined by NEMA MG1-32.6, NEMA MG1-1.66. The generator is self ventilated and drip-proof constructed.
- The voltage waveform deviation, total harmonic content of the AC waveform and telephone influence factor have been evaluated and are acceptable according to NEMA MG1-32.

ENGINE OIL RECOMMENDATIONS

The unit has been filled with 15W-40 engine oil at the factory. Use a high-quality detergent oil classified "For Service SJ or SH." Detergent oils keep the engine cleaner and reduce carbon deposits. Use oil having the following SAE viscosity rating, based on the ambient temperature range anticipated before the next oil change:

Temperature	Oil Grade (Recommended)
Above 80° F (27° C)	SAE 30W or 15W-40
32° to 80° F (0° to 27° C)	SAE 20W-20 or 15W-40
Below 32° F (0° C)	See Note

—  CAUTION  —

-  Any attempt to crank or start the engine before it has been properly serviced with the recommended oil may result in an engine failure.


NOTE:

For temperatures below 32° F, it is strongly recommended to use the optional Cold Weather Start Kit (part number listed in the Specification Section). The oil grade for temperatures below 32° F is 5W-30 synthetic oil.



COOLANT RECOMMENDATIONS

Use a mixture of half low silicate ethylene glycol base anti-freeze and deionized water. Cooling system capacity is listed in the specifications. Use only deionized water and only low silicate anti-freeze. If desired, add a high quality rust inhibitor to the recommended coolant mixture. When adding coolant, always add the recommended 50-50 mixture.

—  CAUTION  —

-  Do not use any chromate base rust inhibitor with ethylene glycol base anti-freeze or chromium hydroxide ("green slime") forms and will cause overheating. Engines that have been operated with a chromate base rust inhibitor must be chemically cleaned before adding ethylene glycol base anti-freeze. Using any high silicate anti-freeze boosters or additives will also cause overheating. The manufacturer also recommends that any soluble oil inhibitor is NOT used for this equipment.

—  DANGER  —

-  Do not remove the radiator pressure cap while the engine is hot or serious burns from boiling liquid or steam could result.
-  Ethylene glycol base antifreeze is poisonous. Do not use mouth to siphon coolant from the radiator, recovery bottle or any container. Wash hands thoroughly after handling. Never store used antifreeze in an open container because animals are attracted to the smell and taste of antifreeze even though it is poisonous to them.

ENGINE PROTECTIVE DEVICES

The standby generator may be required to operate for long periods of time without an operator on hand to monitor such engine conditions as coolant temperature, oil pressure or rpm. For that reason, the engine has several devices designed to protect it against potentially damaging conditions by automatically shutting down the unit when the oil pressure is too low, the coolant temperature is too high, the coolant level is too low, or the engine is running too fast.

NOTE:

Engine protective switches and sensors are mentioned here for the reader's convenience. Also refer to the applicable control panel manual for additional automatic engine shutdown information.

◆ COOLANT TEMPERATURE SENSING

An analog Water Temperature Sender (WTS) is located in the engine's cooling system. This sender is connected to the panel and allows the panel to monitor and display the temperature of the coolant system.

The WTS is a resistive device whose resistance changes based on coolant temperature. The resistance of the sender results in a voltage being developed across the sender. As the Coolant temperature increases, the resistance will decrease, causing the voltage to decrease. This changing voltage is converted to 4-20mA signal by a signal conditioner module. The corresponding 4-20mA signal is read by the control panel and displayed as the coolant temperature.

The control panel will monitor and display the coolant temperature anytime the DC input to the control panel is present.

If the temperature exceeds approximately 140° C (284° F), the engine shutdown will be initiated. The generator will automatically restart and the display will reset once the temperature has returned to an operating level.

◆ LOW COOLANT LEVEL

A Low Coolant Level (LCL) sensor is placed in the generators coolant system. This sensor allows the panel to detect a Low Coolant Level condition.

The LCL is a resistive device whose resistance changes rapidly based on the presence or absence of coolant.

The resistance of the LCL results in a voltage being developed across the LCL. This voltage changes as the resistance changes. This changing voltage is converted to 4-20mA signal by a signal conditioner module. The corresponding 4-20mA signal is read by the control panel and displayed as the low coolant level.

If the level of the engine coolant drops below the level of the low coolant level sensor, the engine shutdown will be initiated.

◆ OIL PRESSURE SENSING

An analog Oil Pressure Sender (OPS) is used for monitoring the engine oil pressure. This sender allows the control panel to measure and display the Engine oil pressure.

The OPS is a resistive device, whose resistance changes based on engine oil pressure. The resistance of the sender results in a voltage being developed across the sender. As the oil pressure increases, the resistance will decrease, causing the voltage to decrease. This changing voltage is converted to 4-20mA signal by a signal conditioner module. The corresponding 4-20mA signal is read by the control panel and displayed as the oil pressure.

The control panel will monitor and display oil pressure anytime the DC input to the control panel is present.

Should the oil pressure drop below the 8 psi range, the engine shutdown is initiated. The unit should not be restarted until oil is added. Turn the AUTO/OFF/MANUAL switch to the OFF position, then back to AUTO to restart.

◆ OVERCRANK SHUTDOWN

When the control panel receives a start signal, it initiates the programmed starting sequence. The start sequence consists of the number of crank attempts, the length of each crank attempt, and the rest time between each crank attempt. If the engine has not started by the end of the final crank attempt, an Overcrank alarm is generated, the control panel will sound the alarm and display the message "Failed to start".

◆ OVERSPEED SHUTDOWN

A speed circuit controls engine cranking, start-up, operation and shutdown. Engine speed signals are delivered to the circuit board whenever the unit is running. Should the engine over speed above a safe, preset value, the circuit board initiates an automatic engine shutdown. Contact the nearest Authorized Dealer if this failure occurs.

◆ RPM SENSOR LOSS SHUTDOWN

If the speed signal to the control panel is lost, engine shutdown will occur.

◆ DC FUSE

This fuse is located inside of the control panel. It protects the panel wiring and components from damaging overload. Always remove this fuse before commencing work on the generator. The unit will not start or crank if the fuse is blown. Replace the fuse with one of the same size, type, and rating. (See the exploded views and parts lists at the end of this manual for replacement part number.)

FUEL SYSTEM

◆ FUEL REQUIREMENTS

The standby generator may be equipped with one of the following fuel systems:

- Natural gas fuel system
- Propane vapor (PV) fuel system
- Liquid propane (LP) fuel system

The Manual Drawing Listing that is affixed to the unit includes the "Identification Code," which may be used to identify the type of fuel system installed on the unit.

Recommended fuels should have a Btu content of at least 1,000 Btu's per cubic foot for natural gas; or at least 2,520 Btu's per cubic foot for LP gas. Ask the fuel supplier for the Btu content of the fuel.

Required fuel pressure for **natural gas is 11 inches to 14 inches water column (0.4 to 0.5 psi); and for liquid propane, 11 inches to 14 inches of water column (0.4 to 0.5 psi).**

NOTE:

Any piping used to connect the generator to the fuel supply should be of adequate size to ensure the fuel pressure NEVER drops below 11 inches water column for natural gas or 11 inches water column for liquid propane for all load ranges.

NOTE:

It is the responsibility of the installer to make sure that only the correct recommended fuel is supplied to the generator fuel system. Thereafter, the owner/operator must make certain that only the proper fuel is supplied.

◆ NATURAL GAS FUEL SYSTEM

Natural gas is supplied in its vapor state. In most cases, the gas distribution company provides piping from the main gas distribution line to the standby generator site. The following information applies to natural gas fuel systems.

- Gas pressure in a building is usually regulated by national, state and local codes.
- To reduce gas pressure to a safe level before the gas enters a building, a primary regulator is needed. The natural gas supplier may or may not supply such a regulator.
- It is the responsibility of the gas supplier to make sure sufficient gas pressure is available to operate the primary regulator.
- Gas pressure at the inlet to the fuel shutoff solenoid should not exceed approximately 14 inches water column (0.5 psi). Optimum pressure at the fuel shutoff solenoid is 11 inches water column (0.4 psi).

◆ PROPANE VAPOR WITHDRAWAL FUEL SYSTEM

This type of system utilizes the vapors formed above the liquid fuel in the supply tank. Approximately 10 to 20 percent of the tank capacity is needed for fuel expansion from the liquid to the vapor state. The vapor withdrawal system is generally best suited for smaller engines that require less fuel. The installer should be aware of the following:

- The natural gas and LP gas systems are similar. However, the natural gas system delivers gas at a pressure of approximately five inches water column to the carburetor.
- When ambient temperatures are low and engine fuel consumption is high, the vapor withdrawal system may not function efficiently.
- Ambient temperatures around the supply tank must be high enough to sustain adequate vaporization, or the system will not deliver the needed fuel volume.
- In addition to the cooling effects of ambient air, the vaporization process itself provides an additional cooling effect.

◆ LP FUEL SYSTEM

LP is supplied as a liquid in pressure tanks. It is usually made up of propane, butane, or a mixture of the two gases. Propane tends to vaporize readily even at temperatures as low as -20° F (-29° C). However, butane reverts to its liquid state when temperatures drop below 32° F (0° C).

LP in a liquid withdrawal system must be converted to its gaseous state before it is introduced into the engine carburetor. A vaporizer-converter is generally used to accomplish this. In such a converter, heated engine coolant is ported through the converter to provide the necessary heat for conversion of the fuel from a liquid to a gaseous state.

SPECIFICATIONS

◆ GENERATOR

Type Synchronous
 Rotor Insulation Class F or H (see Data Label)
 Stator Insulation Class H
 Total Harmonic Distortion < 3.5%
 Telephone Interference Factor (TIF) < 50
 Alternator Output Leads 3-phase 4-wire
 Bearings Sealed Ball
 Coupling Gear Drive
 Load Capacity (Standby Rating) 130kW*

* NOTE: Generator rating and performance in accordance with ISO8528-5, BS5514, SAE J1349, ISO3046 and DIN 6271 Standards. KW rating is based on LPG fuel and may derate with natural gas.

Excitation System Brushless
 Generator Output Voltage/kW - 60 Hz

	kW	Amp	CB Size
120/240V, 1-phase, 1.0 pf	130	542	600
120/208V, 3-phase, 0.8 pf	130	451	500
277/480V, 3-phase, 0.8 pf	130	195	225

Generator Locked Rotor KVA Available @ Voltage Dip of 35%
 Single-phase or 208 3-phase 270 KVA
 480V, 3-phase 320 KVA

◆ ENGINE

Make Generac
 Model V-type
 Cylinders and Arrangement 10
 Displacement 6.8 Liter
 Bore 3.55 in.
 Stroke 4.17 in.
 Compression Ratio 9-to-1
 Air Intake System Naturally Aspirated
 Valve Seats Hardened
 Lifter Type Hydraulic

Engine Parameters

Rated Synchronous RPM 60 Hz, 3000
 HP at rated kW 60 Hz, 210

Exhaust System

Exhaust Flow at Rated Output 60 Hz 1119 cfm
 Exhaust Temperature at Rated Output 970° F

Combustion Air Requirements (Natural Gas)

Flow at rated power, 60 Hz 336 cfm

Governor

Type Electronic
 Frequency Regulation Isochronous
 Steady State Regulation ± 1/4 %
 Adjustments:
 Speed Selectable

Engine Lubrication System

Type of Oil Pump Gear
 Oil Filter Full Flow, Cartridge
 Crankcase Oil Capacity 5 U.S. qts.

◆ COOLING SYSTEM

Type Closed
 Water Pump Belt Driven
 Fan Speed 1950
 Fan Diameter 26 inches
 Fan Mode Puller
 Air Flow (inlet air including alternator and combustion air) 6450 ft³/min.
 Coolant Capacity (4.5 U.S. gal.)
 Heat Rejection to Coolant 496,000 Btu/h
 Maximum Operating Air Temp. on Radiator 60° C (150° F)
 Maximum Ambient Temperature 50° C (140° F)

◆ FUEL SYSTEM

Type of Fuel Liquid Propane or Natural Gas*
 Carburetor Down Draft
 Secondary Fuel Regulator Standard
 Fuel Shut-off Solenoid Standard
 Operating Fuel Pressure 11 in. - 14 in. Water Column

Fuel Consumption - ft³/hr (Natural Gas/LPV)

Exercise Cycle	25% Load	50% Load	75% Load	100% Load
135/54.5	482/193	927/373	1292/520	1786/719

* Engine is not field convertible between natural gas and propane. Jet size and ignition timing are factory set for the specific fuel.

◆ ELECTRICAL SYSTEM

Battery Charge Alternator 12V, 30 Amp
 Static Battery Charger 12V, 2 Amp
 Recommended Battery 24F 525CCA
 System Voltage 12 Volts

Voltage Regulator

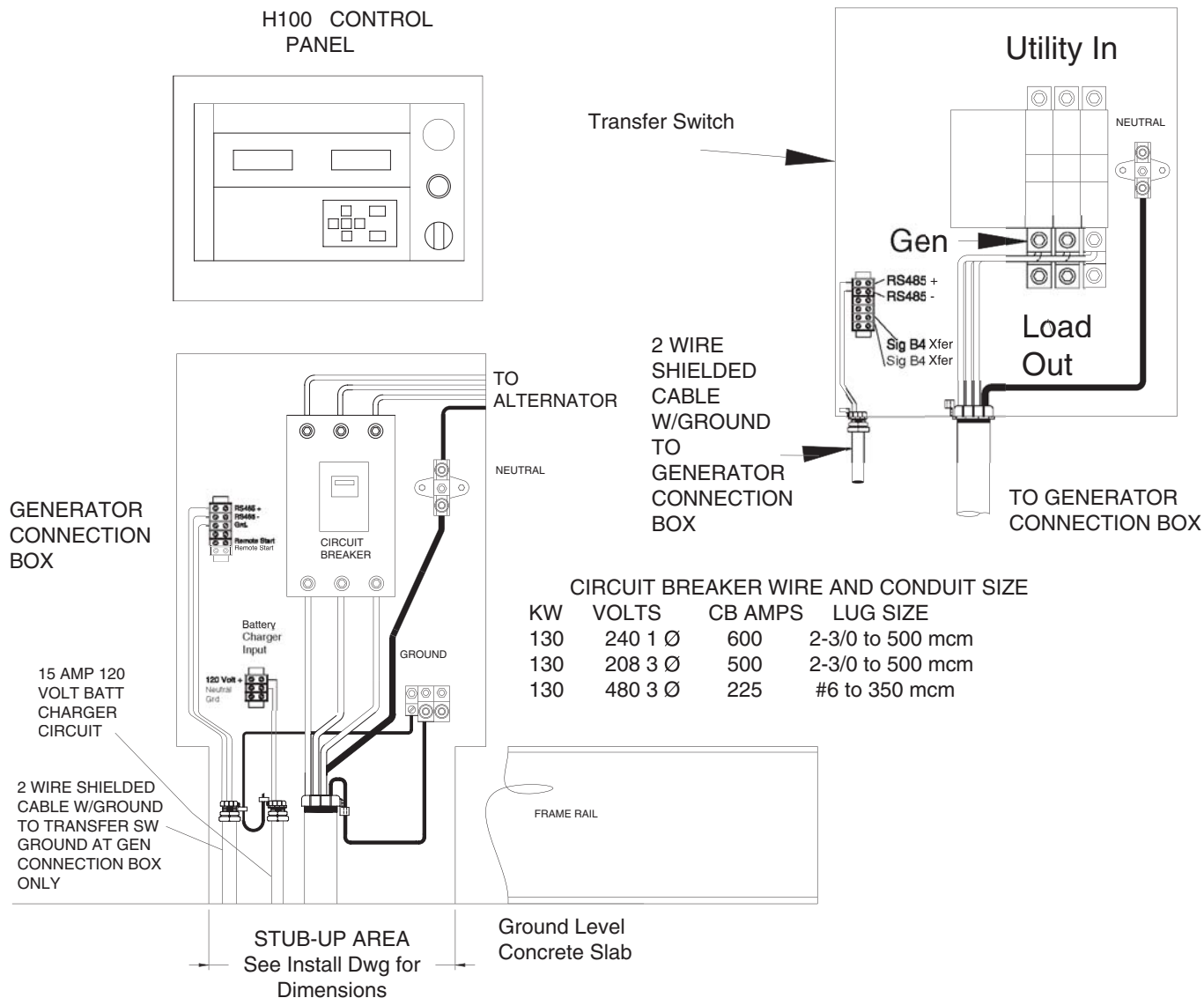
Type Full Digital
 Sensing 3-phase
 Regulation ± 1/4%
 Features Built into H-100 Control Panel
 V/F Adjustable, Adjustable
 Voltage and Gain

Power Adjustment for Ambient Conditions

Temperature Deration
 3% for every 10° C above °C 25
 1.65% for every 10° above °F 77
 Altitude Deration
 1% for every 100 m above m 183
 3% for every 1000 ft. above ft. 600

Controller H-panel

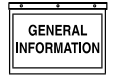
Figure 1 — Interconnections



◆ COLD WEATHER KIT

For cold climates, optional cold weather kit (part number 0F6148A) is recommended. The kit includes:

- Battery Warmer
- 4" Junction Box with Hardware
- 700 Cold Cranking Amp Battery
- Thermostat; 20 deg "ON", 40 deg "OFF"
- 6 qt. pack 5W-30 Synthetic Oil (engine)
- 1 qt. 75W90 Synthetic Gear Oil (gear drive)



5.4L & 6.8L IGNITION DESCRIPTION

This single-fire Ignition is intended to operate with a 10-cylinder, 6.8L engine and an 8-cylinder, 5.4L engine.

The 6.8L engine uses a 40-1 crank sensor, a mag-pickup CAM sensor and individual coil-on-plug coils for each spark-plug.

The 5.4L engine uses a 36-1 crank sensor, a mag-pick-up CAM sensor and individual coil-on-plug coils for each spark-plug.

With a single-fire ignition, each high-voltage coil output is connected to one spark plug resulting in that spark plug being fired only during the compression cycle.

Engine Timing versus Engine Speed for the 6.8L engine is:

RPM	NG/LP Engine Timing (BTDC)
1800 rpm	22 degrees
3600 rpm	24 degrees

Engine Timing versus Engine Speed for the 5.4L engine is:

RPM	NG/LP Engine Timing (BTDC)
1800 rpm	26 degrees
3600 rpm	26 degrees

◆ IGNITION POWER-UP INPUT ("56 LINE INPUT")

When battery voltage is applied to this input the ignition will power-up. For the ignition to power itself down, battery voltage must be removed from this input.

◆ IGNITION ENABLE ("14 LINE INPUT")

This input must be connected to the +12V battery for the ignition to turn-on the coils. If this input is connected to battery ground the ignition will stop firing the coils and will power down within approximately 2 seconds. In the event that an ignition fault has occurred, however, the ignition will wait 60 seconds before powering down. This allows time to view the diagnostic LED located on the ignition board.

NOTE:

The ignition cover does not need to be removed to see the LED.

◆ IGNITION SHUTDOWN ON LOSS OF CRANK OR CAM SIGNALS

The ignition will stop firing the coils immediately following the loss of the crank signal. The ignition will stop firing the coils after approx. 3 seconds following the loss of the cam signal.

◆ DIAGNOSTIC BLINK PATTERNS (RED LED LOCATED ON THE IGNITION CONTROL BOARD)

During normal ignition operation the RED LED flashes at a 0.5 sec ON and a 0.5 sec OFF rate. This is considered one (1) blink.

LED Fault Code with Priority as shown:

1. No Crank Signal: LED blinks 2 times, is OFF for 3.0 seconds and then repeats
2. No CAM Signal: LED blinks 3 times, is OFF for 3.0 seconds and then repeats

Only one fault is displayed at a time. If multiple faults exist then the highest priority fault must be resolved prior to a lower priority fault being displayed. In the event that an ignition fault has occurred the ignition will wait 60 seconds before powering down.

NOTE:

The ignition cover does not need to be removed to see the LED.

GENERATOR AC LEAD CONNECTIONS

See "Voltage Codes". This generator may be rated at any one of three voltages, either single-phase or three-phase. The electrical wires in the unit's AC connection (lower) panel should be installed according to the number of leads and the voltage/phase required for the application. If there are any questions regarding lead connection, refer to the wiring diagrams at the back of this manual.

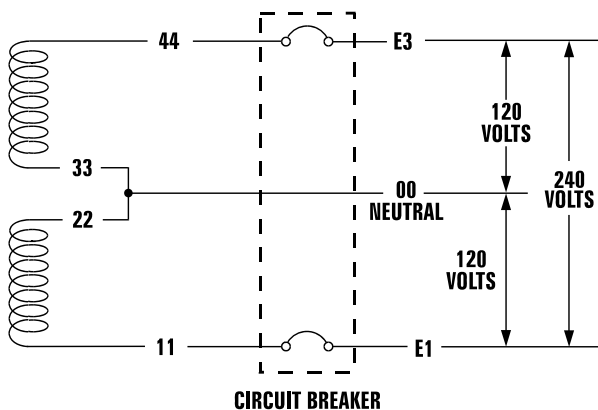
Voltage codes apply to the type of stator assembly installed on a particular generator.

◆ FOUR-LEAD, SINGLE-PHASE STATOR

Four-lead generators are built to supply electrical loads with voltage code "A" (240V, 1-phase, 60Hz). Electrical power is produced in the stator power windings. These windings were connected at the factory to the main circuit breaker as shown in Figure 7.1.

The rated voltage between each circuit breaker terminal is 240V. The rated voltage between each circuit breaker terminal and the neutral point 00 is 120V.

Figure 7.1 — Four-lead, Single-phase Stator



ALTERNATOR POWER WINDING CONNECTIONS

◆ 3-PHASE ALTERNATORS

The generator is designed to supply 3-phase electrical loads. Electric power is produced in the alternator power windings. These windings were connected at the factory to the main circuit breaker with a "Y" configuration as shown in Figures 7.2 and 7.3.

The rated voltage between circuit breaker terminals E1-E2, E1-E3 and E2-E3 is either 480V or 208V depending on the model.

The rated voltage between each circuit breaker terminal and the neutral point 00 is either 277V or 120V depending on the model.

Figure 7.2 — Stator Power Winding Connections - 3-phase, 277/480V (12 Lead)

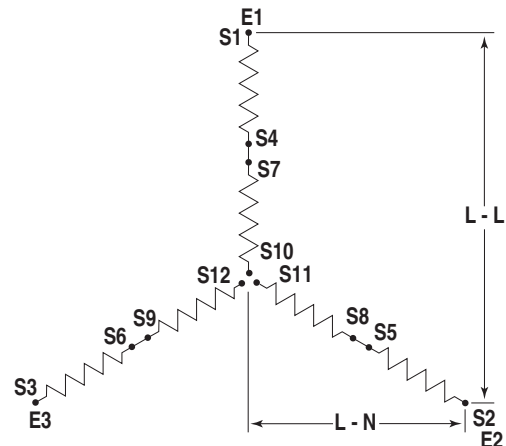
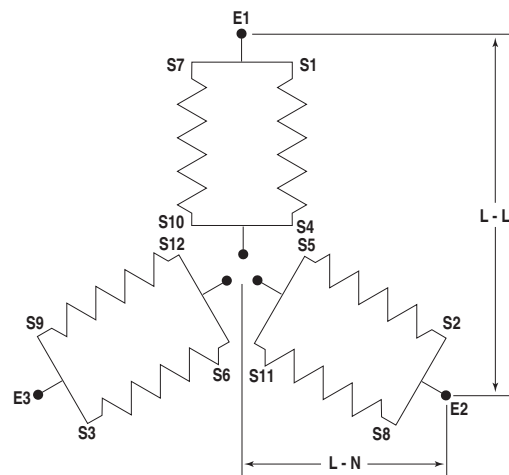


Figure 7.3 — Stator Power Winding Connections - 3-phase, 120/208V (12 Lead)





INSTALLATION

Refer to the separate “Installation Guide” supplied with the unit.

PREPARATION BEFORE START-UP

The instructions in this section assume that the standby generator has been properly installed, serviced, tested, adjusted and otherwise prepared for use by a competent, qualified installation contractor. Be sure to read the “Safety Rules”, as well as all other safety information in this manual, before attempting to operate this (and related) equipment.

Before starting the generator for the first time, the installer must complete the following procedures. For follow-up maintenance information and/or service intervals, please refer to the “Maintenance” section and the “Service Schedule”.

◆ TRANSFER SWITCH

If this generator is used to supply power to any electrical system normally powered by an electric utility, the National Electrical Code requires that a transfer switch be installed. The transfer switch prevents electrical backfeed between two different electrical systems. (For additional information, see the applicable transfer switch manual for this unit.) The transfer switch, as well as the generator and other standby components, must be properly located and mounted in strict compliance with applicable codes, standards and regulations.

◆ FUEL SYSTEM

Make sure the fuel supply system to the generator (a) delivers the correct fuel at the correct pressure and (b) is properly purged and leak tested according to code. No fuel leakage is permitted. See “Specifications” for more information.

◆ GENERATOR SET LUBRICATION

Check the engine crankcase oil level before operating and add oil to the proper level – the dipstick “FULL” mark. Never operate the engine with the oil level below the dipstick “ADD” mark. See “Specifications” and “Engine Oil Recommendations”.

NOTE:

This engine is shipped from the manufacturer with “break-in” oil. This oil should be changed after 30 hours of operation.

◆ PRIOR TO INITIAL START-UP



- ⚠ Prior to initially starting the generator, it must be properly prepared for use. Any attempt to crank or start the engine before it has been properly serviced with the recommended types and quantities of engine fluids (oil, coolant, fuel, etc.) may result in an engine failure.

◆ ENGINE COOLANT

Have the engine cooling system properly filled with the recommended coolant mixture. Check the system for leaks and other problems. See “Specifications” and “Coolant” sections.

◆ BELT TENSION

Check the engine-fan belt tension and condition prior to placing the unit into service and at recommended intervals. Belt tension is correct when a force of approximately 22 pounds (10 kg), applied midway between pulleys, deflects the belt about 3/8- to 5/8-inch (10 to 16 mm).

◆ ELECTRICAL SYSTEM

Make sure the generator is properly connected to an approved earth ground.

Make sure the generator battery is fully charged, properly installed and interconnected, and ready for use.

NOTE:

Battery charger must be connected to 120 VAC, 15 amp circuit to operate.

Check to ensure that there are no loose electrical connections. Restrain any loose wires to keep them clear of any moving generator set components.

INITIAL INSPECTION FOR GENSET STARTUP

Inspect for the following.

- Freight Damage.
- Manuals present.
- Fluid Levels (Oil, coolant, battery, Gear Drive).
- Correct fuel piping.
- Adequate air flow, clearances and ventilation per installation drawings and applicable codes.
- Correct AC and DC wire size, connections and grounding. Control and communication wiring to/from the transfer switch must be run in a separate conduit from the AC power leads.



- **Battery charger connection to 120 VAC.**
- Communication wires connected between transfer switch and generator (HTS only).
- Unit secured to pad.

START-UP CHECKLIST



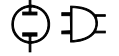
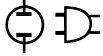
WARNING

⚠ Before working on the generator, ensure the following:

- **The AUTO/OFF/MANUAL switch is in the OFF position.**
- **The 120VAC supply to the battery charger is switched OFF.**

◆ PREPARATION FOR START-UP

- Ensure that the 120VAC circuit breaker to the battery charger is open.
- Remove the fuse from the the control panel. Open the front door of the control box and remove the 15 Amp ATO fuse in the lower left-hand corner of the control box.
- Connect the battery cables to the battery. Attach negative battery cable last.
- Close the 120VAC circuit breaker to the battery charger.
- Measure the voltage at the battery before and after the charger is turned on.
- Verify all AC electrical connections are tight at the circuit breaker and transfer switch.
- Visually inspect entire area looking for loose paper, plastic wrappings, leaves, etc.
- Check all hoses clamps fittings for leaks or damage.
- Check all electrical plugs throughout the generator. Ensure each plug is seated correctly and fully inserted into its receptacle.
- Verify the AUTO/OFF/MANUAL switch is in OFF position.
- Open the valve to the engine fuel line.
- Bleed the fuel system of air. (necessary for long fuel lines).
- Open the generator main line circuit breaker.
- Connect a manometer to the gas line and record the static pressure. It must be as listed in the Specifications.
- Insert the fuse into the control panel.
- Move the AUTO/OFF/MANUAL switch to the manual position. The engine should now crank and start.
- Check voltage at the generator terminals.
- For 3-phase units, check phase rotation at the transfer switch terminals. The generator phase rotation must match the utility phase rotation.
- Check for coolant, fuel, oil, and exhaust leaks.
- Close the generators main line circuit breaker.
- Turn the generator set off.
- Connect the UTILITY supply to the transfer switch.
- Set the AUTO/OFF/MANUAL switch to AUTO.
- Disconnect utility power before the transfer switch.
 - Engine should start, transfer to load.
 - Run at least 15 minutes on generator power. Make certain all 3-phase loads are functioning correctly (correct phase rotation).
- Reconnect Utility power
 - Transfer switch will transfer back to Utility and engine will shut down within the given time parameters set up for the specific transfer switch and controller.
- Install all covers, access plates and door panels.
- Put the Owners Manual in a safe and accessible place.
- Make certain the AUTO/OFF/MANUAL switch is in the AUTO position.



GENERATOR CONTROL AND OPERATION

Refer to the appropriate control panel operator's manual for this unit.

OPERATING UNIT WITH MANUAL TRANSFER SWITCH

If the generator was installed in conjunction with a transfer switch capable of manual operation only, the following procedure applies. A manually operated transfer switch is one that will not provide automatic start-up and does not include an intelligence circuit.

◆ ENGINE START-UP AND TRANSFER

For additional information, refer to the applicable control panel manual for this unit, as well as any literature pertaining to the specific transfer switch.



⚠ The Maintenance Disconnect Switch and the AUTO/OFF/MANUAL switches (if so equipped) must be set properly, or the generator will crank and start as soon as the utility power to the transfer switch is turned off. Refer to applicable control panel and transfer switch manuals for more information.

⚠ Do not proceed until certain that utility source voltage is available to the transfer switch and the transfer switch main contacts are set to UTILITY.

⚠ Do not attempt manual operation until all power supplies to the transfer switch have been positively turned off, or extremely dangerous - possibly lethal - electrical shock will result.

⚠ Transfer switch enclosure doors should be kept closed and locked. Only authorized personnel should be allowed access to the transfer switch interior. Extremely high and dangerous voltages are present in the transfer switch.

In order to transfer load from the utility source to the generator, follow these directions:

- Turn OFF or disconnect the utility power circuit to the transfer switch, using the means provided (such as the utility source main line circuit breaker).
- Set the transfer handle to its UTILITY (NORMAL) position with load circuits connected to the utility power supply.
- Set the standby generator's main line circuit breaker to its OFF (or OPEN) position.
- Start the generator.



⚠ Do not crank the engine continuously for longer than 30 seconds, or the heat may damage the starter motor.

- Let engine stabilize and warm up.
- Check all applicable instrument and gauge readings. When certain that all readings are correct, move the transfer switch manual handle to its STANDBY (GENERATOR) position, i.e., load circuits supplied by the generator.
- Set the standby generator's main line circuit breaker to its ON (or CLOSED) position.
- Load circuits are now powered by the standby generator.

◆ RETRANSFER AND SHUTDOWN

For additional information, refer to the applicable control panel manual for this unit, as well as any literature pertaining to the specific transfer switch.

To transfer the load back to the utility power source and shut down the generator, follow these directions:

- Set the standby generator's main line circuit breaker to its OFF (or OPEN) position.
- Manually move the transfer switch handle to its UTILITY (NORMAL) position, i.e., load circuits connected to the utility.
- Turn ON the utility power supply to the transfer switch, using the means provided (such as the utility power source main line circuit breaker).
- Let the generator run at no-load for a few minutes to stabilize internal temperatures.
- Shut down the generator.

OPERATING UNIT WITH AUTOMATIC TRANSFER SWITCH

If the generator has been installed with an automatic transfer switch, such as an RTS, HTS, or GTS-type transfer switch, the engine may be started and stopped automatically or manually.

NOTE:

Refer to the applicable manual for your transfer switch and to "Transfer Switch Start Signal Connections". In addition, please note the dangers under "Engine Start-up and Transfer."



MAINTENANCE PERFORMED BY AUTHORIZED SERVICE FACILITIES

—▲ WARNING ▲—

▲ Before working on the generator, ensure the following:

- The **AUTO/OFF/MANUAL** switch is in the **OFF** position.
- The **15A** fuse has been removed from the control box.
- The **120VAC** supply to the battery charger is switched **OFF**.

◆ EVERY THREE MONTHS

1. Check battery state of charge and condition.
2. Inspect and test fuel system.
3. Check transfer switch.
4. Inspect exhaust system.
5. Check engine ignition system.
6. Check fan belts.

◆ ONCE EVERY SIX MONTHS

1. Test Engine Safety Devices (low oil pressure, low coolant level, high coolant temperature).

◆ ONCE ANNUALLY

1. Test engine governor. Adjust or repair, if needed.
2. Clean, inspect generator.
3. Flush cooling system.

◆ FIRST 30 OPERATING HOURS

1. Change engine "break-in" oil and filter.

◆ FIRST 100 OPERATING HOURS

1. Change engine oil and oil filter. (After initial change, service engine oil and filter at 150 operating hours or 6 months, whichever comes first.)

◆ EVERY 500 OPERATING HOURS

1. Service air cleaner.
2. Check starter.
3. Check engine DC alternator.

COOLING SYSTEM

Air intake and outlet openings in the generator compartment must be open and unobstructed for continued proper operation. This includes such obstructions as high grass, weeds, brush, leaves and snow.

Without sufficient cooling and ventilating air flow, the engine/generator quickly overheats, which causes it to shut down.

—▲ WARNING ▲—

▲ The exhaust system parts from this product get extremely hot and remain hot after shutdown. High grass, weeds, brush, leaves, etc. must remain clear of the exhaust. Such materials may ignite and burn from the heat of the exhaust system.

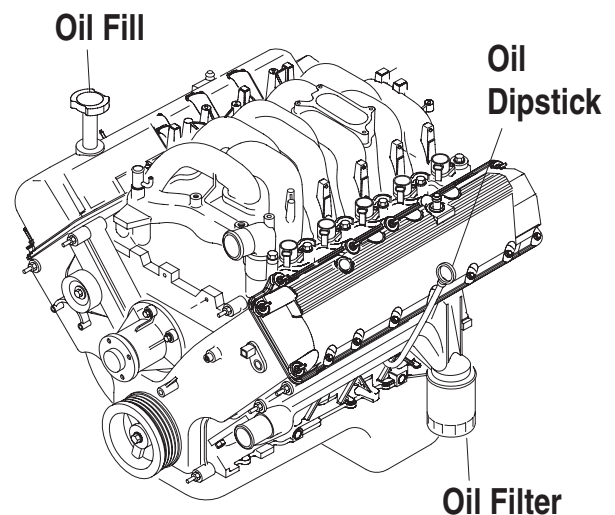
CHECKING FLUID LEVELS

◆ CHECK ENGINE OIL

Check engine crankcase oil level (Figure 10.1) at least every 20 hours of operation, or prior to use.

- Remove oil dipstick and wipe dry with a clean, lint-free cloth.
- Install oil dipstick, then remove again.
- Oil should be between **FULL** and **ADD** marks.
- If oil level is below the dipstick **ADD** mark, remove oil fill cap. Add the recommended oil to bring oil level up to the **FULL** mark. **DO NOT FILL ABOVE THE "FULL" MARK.** See "Engine Oil Recommendations" for recommended oils.

Figure 10.1 - Oil Dipstick and Oil Fill Cap



◆ BATTERY FLUID

Check battery electrolyte fluid at least once weekly. Fluid should cover separators in all battery cells. If fluid level is low, add distilled water to cover tops of separators. **DO NOT USE TAP WATER IN BATTERY.**



◆ ENGINE COOLANT

Check coolant level in coolant recovery bottle. See the “Specifications” section.

- Add recommended coolant mixture as necessary.
- Periodically remove radiator pressure cap to make sure the coolant recovery system is functioning properly. Coolant should be at bottom of radiator filler neck. If coolant level is low, inspect gasket in radiator pressure cap. Replace cap, if necessary. To have pressure cap tested, contact an Authorized Service Dealer. Inspect cooling system and coolant recovery system for leaks.

MAINTENANCE OWNER/ OPERATOR CAN PERFORM

◆ CHECK ENGINE OIL LEVEL

Refer to the “Checking Fluid Levels” section.

◆ CHECK BATTERY

- Check battery fluid level each week as outlined under “Check Fluid Levels”.
- Check battery cables for condition, tightness, corrosion or damage. Clean, tighten or replace as necessary.

◆ EXERCISE SYSTEM

Start the generator engine at least once every seven days and let it run at least 20 minutes. For more detailed exercise information, see the respective sections in the Control Panel Technical Manual that is supplied with the unit.

◆ INSPECT COOLING SYSTEM

- Inspect engine cooling system at least once each month.
- Check hoses for damage, deterioration, leaks, etc. Correct any discrepancies found.
- Check hose clamps for tightness.

◆ CHECK ENGINE COOLANT LEVEL

See the “Checking Fluid Levels” section.

◆ PERFORM VISUAL INSPECTION

Complete a thorough visual inspection of the entire engine-generator monthly. Look for obvious damage, loose, missing or corroded nuts, bolts and other fasteners. Look for fuel, oil or coolant leaks.

◆ INSPECT EXHAUST SYSTEM

Inspect the exhaust system at least once every three months. Check all exhaust system pipes, mufflers, clamps, etc. for condition, tightness, leaks, security, damage.

◆ CHECK FAN BELT

- Inspect fan belts every three months. Replace any damaged, deteriorated, worn or otherwise defective belt.
- Check fan belt tension. Thumb pressure, exerted midway between pulleys, should deflect about 3/8 to 5/8 inch. Adjust belt tension as required.

◆ INSPECT ENGINE GOVERNOR

Visually inspect electronic governor.



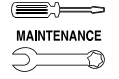
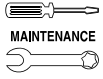
- ⚠ Do not attempt to adjust the governor. Only qualified service facilities should adjust the governor. Excessively high operating speeds are dangerous and increase the risk of personal injury. Low speeds impose a heavy load on the engine when adequate engine power is not available and may shorten engine life. Correct rated frequency and voltage are supplied only at the proper governed speed. Some connected electrical load devices may be damaged by incorrect frequency and/or voltage. Only qualified service technicians should adjust the governed speed.

◆ CHANGING ENGINE OIL

Refer to maintenance performed by authorized service facilities for engine oil and filter change frequencies.

Drain the oil while the engine is still warm from running. This means warm up the engine, shut it down and drain immediately as follows:

1. Remove OIL DRAIN HOSE from its retaining clip.
2. Loosen and remove OIL DRAIN HOSE CAP. Drain oil completely into suitable container.
3. When all oil has drained, install and tighten OIL DRAIN HOSE CAP, and re-install into its retaining clip.
4. Turn OIL FILTER (Figure 10.2) counterclockwise and remove. Dispose of old filter.
5. Apply light coating of new engine oil to seal of new oil filter. Install FILTER and tighten by hand only. DO NOT OVERTIGHTEN.



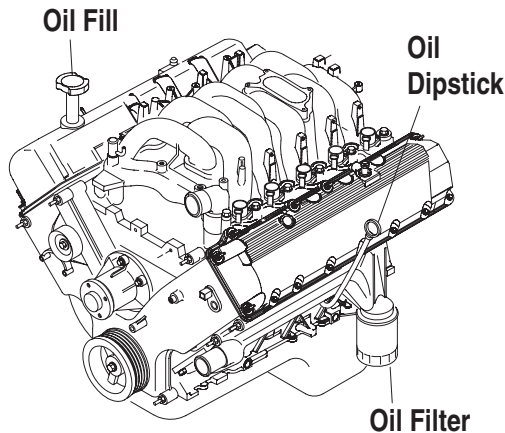
- Remove OIL FILL CAP. Add recommended oil (see SPECIFICATIONS). DO NOT FILL ABOVE THE DIPSTICK "FULL" MARK. Crankcase oil capacity is 4.0 U.S. quarts (3.8 liters).

—▲ CAUTION ▲—

▲ After refilling the crankcase with oil, always check oil level on dipstick. NEVER OPERATE ENGINE WITH OIL BELOW THE DIPSTICK "ADD" MARK.

- Start engine and check for oil leaks.

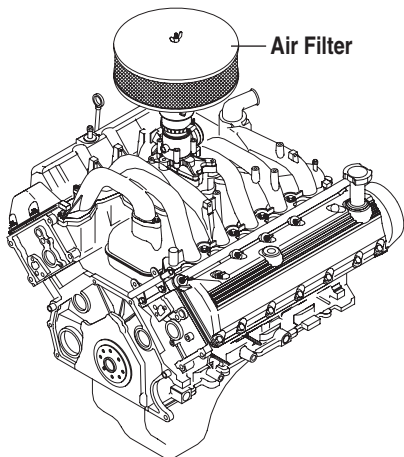
Figure 10.2 - Oil Filter



◆ CHANGING THE ENGINE AIR CLEANER

To replace the engine air cleaner, remove the air cleaner cover and replace the air filter making sure it is positioned properly before reattaching the cover.

Figure 10.3 — Engine Air Filter



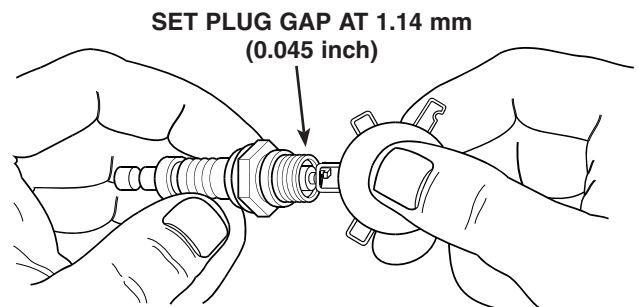
See the "Service Schedule" section for air cleaner maintenance.

◆ SPARK PLUGS

Reset the spark plug gap or replace the spark plugs as necessary.

- Clean the area around the base of the spark plugs to keep dirt and debris out of the engine. Clean by scraping or washing using a wire brush and commercial solvent. Do not blast the spark plugs to clean.
- Remove the spark plugs and check the condition. Replace the spark plugs if worn or if reuse is questionable. See the "Service Schedule" section for recommended inspection.
- Check the spark plug gap using a wire feeler gauge. Adjust the gap to 1.14 mm (0.045 inch) by carefully bending the ground electrode (Figure 10.4).

Figure 10.4 – Setting the Spark Plug Gap



◆ COOLANT CHANGE

Every year, have an Authorized Service Facility drain, flush and refill the cooling system. See the "Specifications" section for cooling system recommendations.

MISCELLANEOUS MAINTENANCE

◆ CLEANING THE GENERATOR

Keep the generator as clean and as dry as possible. Dirt and moisture that accumulates on internal generator windings have an adverse effect on insulation resistance.

Periodically clean generator exterior surfaces. A soft brush may be used to loosen caked on dirt. Use a vacuum system or dry, low pressure air to remove any accumulations of dirt. The generator is housed inside an all-weather enclosure, clean the enclosure with a soft, damp cloth or sponge and water.

Once each year, have the generator cleaned and inspected by an Authorized Service Dealer. That dealer will use dry, low pressure air to clean internal windings. Parts inside the control console should be cleaned and inspected at this time as well.



Finally, have the insulation resistance of stator and rotor windings checked. If insulation resistances are excessively low, the generator may require drying.

◆ BATTERY

All lead-acid storage batteries discharge when not in use. Refer to specific instructions and warnings that accompany the battery. If such information is not available, observe the following precautions when handling a battery:

- DO NOT use jumper cables and a booster battery to crank or start the generator engine.
- DO NOT recharge a weak battery while it is installed in the generator. Remove battery from generator and recharge in a well-ventilated area, away from fuel vapors, sparks, heat or flames.
- Battery electrolyte fluid is an extremely caustic sulfuric solution that can cause severe burns. DO NOT permit fluid to contact eyes, skin, clothing, painted surfaces, wiring insulation, etc. If any battery fluid is spilled, flush the affected area with clear water immediately.
- Always wear safety glasses, rubber apron and gloves when handling a battery.
- Batteries give off explosive hydrogen gas while charging. The gas can form an explosive mixture around the battery for several hours after charging. Any spark, heat or flames can ignite the gas and cause an explosion which can shatter the battery, causing blindness or other serious injury.

◆ BATTERY MAINTENANCE

The battery should be inspected per the “Service Schedule” section. The following procedure should be followed for inspection:

1. Inspect the battery posts and cables for tightness and corrosion. Tighten and clean as necessary.
2. Check the battery fluid level of unsealed batteries and, if necessary, fill with DISTILLED WATER ONLY. DO NOT USE TAP WATER IN BATTERIES.
3. Have the state of charge and condition checked. This should be done with an automotive-type battery hydrometer.

—▲ DANGER ▲—

- ▲ Storage batteries give off explosive hydrogen gas. This gas can form an explosive mixture around the battery for several hours after charging. The slightest spark can ignite the gas and cause an explosion. Such an explosion can shatter the battery and cause blindness or other injury. Any area that houses a storage battery must be properly ventilated. Do not allow smoking, open flame, sparks or any spark producing tools or equipment near the battery.
- ▲ Battery electrolyte fluid is an extremely caustic sulfuric acid solution that can cause severe burns. Do not permit fluid to contact eyes, skin, clothing, painted surfaces, etc. Wear protective goggles, protective clothing and gloves when handling a battery. If the fluid is spilled, flush the affected area immediately with clear water.
- ▲ Do not use any jumper cables or booster battery to crank and start the generator engine. If the battery has completely discharged, remove it from the generator for recharging.

—▲ WARNING ▲—

- ▲ Be sure the AUTO/OFF/MANUAL switch is set to the OFF position before connecting the battery cables. If the switch is set to AUTO or MANUAL, the generator can crank and start as soon as the battery cables are connected.
- ▲ Be sure the 120VAC power supply to the battery is turned OFF, or sparking may occur at the battery posts as the cables are attached and cause an explosion.

◆ BATTERY REPLACEMENT

When replacing batteries, use the same number and the type of battery that was supplied with the unit, and is listed in the parts list in the back of this manual.

NOTE:

The BCI number should be located directly on the battery.

REPAIR PARTS

The latter portion of this manual consists of exploded views, parts lists and electrical data pertaining to this generator set. The parts lists consist of (a) an item number, (b) a part number, (c) the quantity required, and (d) a description of the part. The item number corresponds to an identical number on the exploded view drawing.



Standby Generator Sets Service Schedule



SERVICE SCHEDULE

30 KW - 150 KW STANDBY GAS ENGINE DRIVEN GENERATOR SETS

The following is a recommended maintenance schedule for standby gas engine driven generator sets from 30kW to 150 kW in size. The established intervals in the schedule are the maximum recommended when the unit is used in an average service application. They will need to be decreased (performed more frequently) if the unit is used in a severe application. Use calendar time, from the previous maintenance interval to determine the next required maintenance interval.

Service Maintenance Interval Information:

The various service maintenance intervals are designated by interval numbers as follows:

- 1 An early inspection of the generator set to insure it is ready to operate when required and to identify any potential problem areas.

This inspection may be performed by the end user providing the following safety steps are taken to prevent the engine from starting automatically without warning:

To prevent injury, perform the following steps in the order indicated before starting any maintenance:

- **Disable the generator set from starting and/or connecting to the load by setting the control panel Auto/Off/Manual switch to the “OFF” position.**
- **Remove the 15 amp control panel fuse.**
- **Turn off the battery charger.**
- **Remove the negative battery cable.**

The battery charger must be turned off BEFORE removing the battery cable to prevent an over current condition from burning out sensitive control panel components and circuits.

Following all maintenance, reverse these steps to insure the unit is returned to standby setup for normal operation when required.

- 2 A wear-in service inspection of the generator set to insure it is ready to operate and carry the load when required, and to identify any potential problem areas.

*Performed **ONLY ONCE** following the first three months or the first 30 hours of operation after purchase of the unit.*

This inspection contains some maintenance tasks which require special tools, equipment, and/or knowledge to accomplish and should be performed only by an Authorized Service Dealer.

- 3 An operational inspection of the generator set to insure it is ready to operate and carry the load when required, and to identify any potential problem areas.

Performed semi-annually or following each 50 hours of operation of the unit.

This inspection contains some maintenance tasks which require special tools, equipment, and/or knowledge to accomplish and should be performed only by an Authorized Service Dealer.

- 4 A mid-level inspection of the generator set to insure it is ready to operate and carry the load when required, and to identify any potential problem areas.

Performed annually or following each 100 hours of operation of the unit.

This inspection contains some maintenance tasks which require special tools, equipment, and/or knowledge to accomplish and should be performed only by an Authorized Service Dealer.

- 5 A comprehensive inspection of the generator set to insure it is properly serviced and ready to operate and carry the load when required, and to identify any potential problem areas.

Performed annually or following each 250 hours of operation of the unit.

This inspection contains some maintenance tasks which require special tools, equipment, and/or knowledge to accomplish and should be performed only by an Authorized Service Dealer.



Standby Generator Sets Service Schedule



Maintenance Tasks	Level 1	Task Comp. (Date-Initials)	Level 2	Task Comp. (Date-Initials)	Level 3	Task Comp. (Date-Initials)	Level 4	Task Comp. (Date-Initials)	Level 5	Task Comp. (Date-Initials)
	Recommended to be done monthly/ 10 hrs.		Required to be done 3 months/ Break-in 30 hrs.		Required to be done Semi-annually/ 50 hrs.		Required to be done Annually/ 100 hrs.		Required to be done Bi-annually/ 250 hrs.	
1. Disable the unit from operating per the first page warning.	<input type="checkbox"/>		<input type="checkbox"/>		<input type="checkbox"/>		<input type="checkbox"/>		<input type="checkbox"/>	
2. Check the engine oil level. Adjust as necessary.	<input type="checkbox"/>		<input type="checkbox"/>		<input type="checkbox"/>		<input type="checkbox"/>		<input type="checkbox"/>	
3. Check the engine coolant level. Adjust as necessary.	<input type="checkbox"/>		<input type="checkbox"/>		<input type="checkbox"/>		<input type="checkbox"/>		<input type="checkbox"/>	
4. Check the engine coolant thermal protection level. Correct as necessary.							<input type="checkbox"/>		<input type="checkbox"/>	
5. Check the natural gas delivery system for leaks and correct pressure on gas engine driven units. Tighten connections as necessary.	<input type="checkbox"/>		<input type="checkbox"/>		<input type="checkbox"/>		<input type="checkbox"/>		<input type="checkbox"/>	
6. Check the air inlets and outlets for debris. Clean as necessary.	<input type="checkbox"/>		<input type="checkbox"/>		<input type="checkbox"/>		<input type="checkbox"/>		<input type="checkbox"/>	
7. Check the battery electrolyte level and specific gravity if accessible. Adjust as necessary.	<input type="checkbox"/>		<input type="checkbox"/>		<input type="checkbox"/>		<input type="checkbox"/>		<input type="checkbox"/>	
8. Check the battery posts, cables, and charger for loose connections, corrosion, and proper operation. Correct as necessary.	<input type="checkbox"/>		<input type="checkbox"/>		<input type="checkbox"/>		<input type="checkbox"/>		<input type="checkbox"/>	
9. Check the unit wiring for loose connections, corrosion, and damage. Correct as necessary.	<input type="checkbox"/>		<input type="checkbox"/>		<input type="checkbox"/>		<input type="checkbox"/>		<input type="checkbox"/>	



Standby Generator Sets Service Schedule



Maintenance Tasks	Level 1	Level 2		Level 3		Level 4		Level 5		
	Recom- mended to be done monthly/ 10 hrs.	Task Comp. (Date- Initials)	Required to be done 3 months/ Break-in 30 hrs.	Task Comp. (Date- Initials)	Required to be done Semi- annually/ 50 hrs.	Task Comp. (Date- Initials)	Required to be done Annually/ 100 hrs.	Task Comp. (Date- Initials)	Required to be done Bi- annually/ 250 hrs.	Task Comp. (Date- Initials)
10. Check the engine accessory drive belts and fan coupling device if equipped for correct tension, wear, weather cracking, and damage. Replace as necessary.			○				○		○	
11. Check the engine valve clearance/lash. Adjust as necessary.							○		○	
12. Visually inspect the unit looking for leaks, wear or damage, loose connections or components, and corrosion. Correct as necessary.							○		○	
13. Test the engine and transfer switch safety devices. Correct and/or adjust as necessary.	○		○		○		○		○	
14. Initiate an automatic start and transfer of the unit to site load and exercise it for at least 1 hour looking for leaks, loose connections or components, and abnormal operating conditions. Correct as necessary.							○		○	
15. Replace the engine accessory drive belts.									○	
16. Check gearbox oil level (if equipped).	○		○		○		○		○	
17. Change gearbox oil (if equipped).									○	



Standby Generator Sets Service Schedule



Maintenance Tasks	Level 1	Task Comp. (Date-Initials)	Level 2	Task Comp. (Date-Initials)	Level 3	Task Comp. (Date-Initials)	Level 4	Task Comp. (Date-Initials)	Level 5	Task Comp. (Date-Initials)
	Recommended to be done monthly/ 10 hrs.		Required to be done 3 months/ Break-in 30 hrs.		Required to be done Semi-annually/ 50 hrs.		Required to be done Annually/ 100 hrs.		Required to be done Bi-annually/ 250 hrs.	
18. Start and exercise the unit at full rated load (use a load bank if the site load is not enough) for at least 2 hours looking for leaks, loose connections or components, and abnormal operating conditions. Correct as necessary.									●	
19. Perform an engine oil analysis (send a sample to a lab for results). Change the engine oil and filters if the analysis results indicate this is required.							●			
20. Change the engine oil.			●				●		●	
21. Replace the engine oil filter(s).			●				●		●	
22. Replace engine spark plugs. Clean and re-gap or replace as necessary.							●			
23. Replace the engine air filter(s).									●	
24. Perform a 5 minute no-load operational run of the unit looking for any post service problems.			●						●	
25. Return the unit to standby setup for operation when required.	●		●		●		●		●	

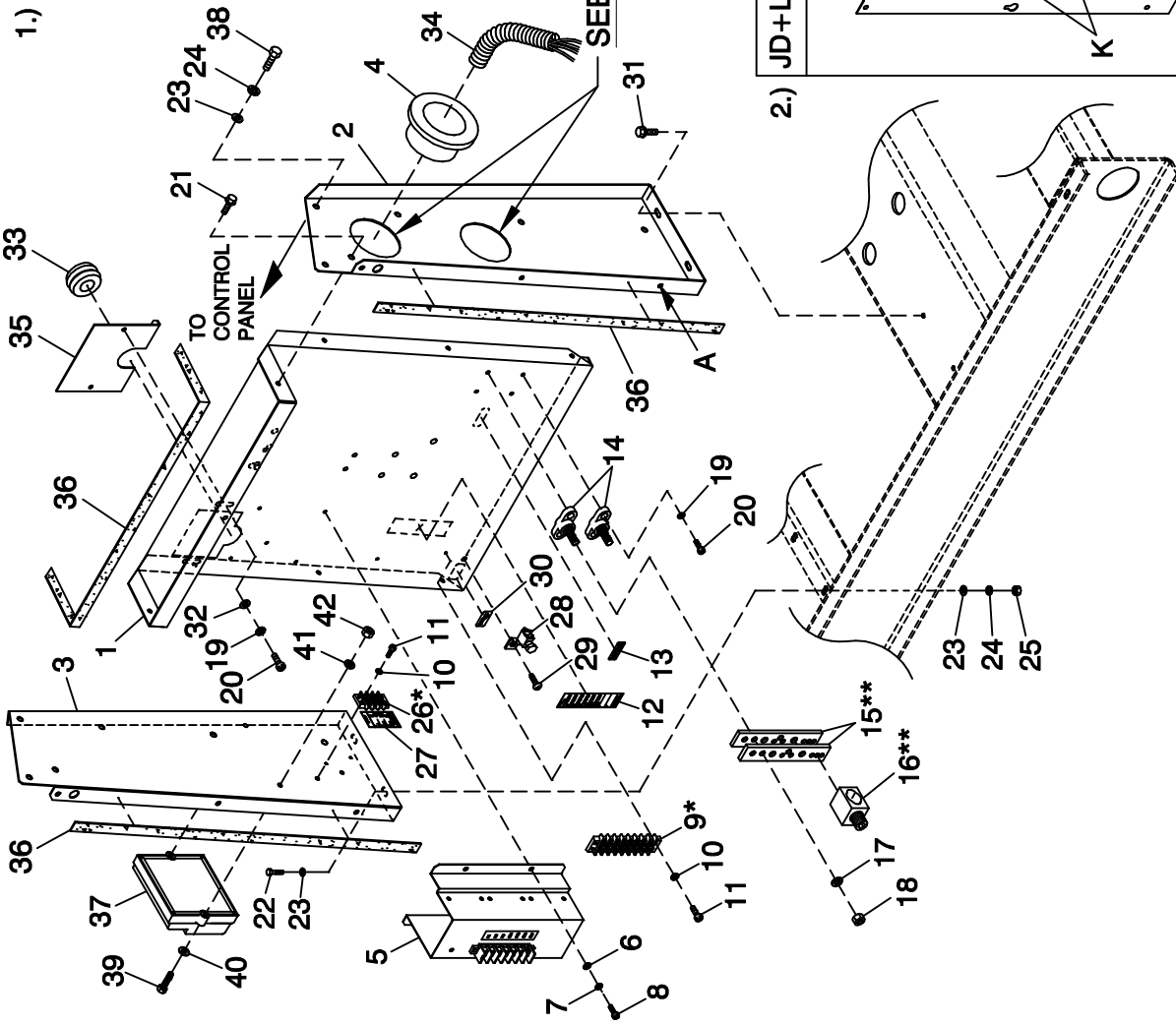
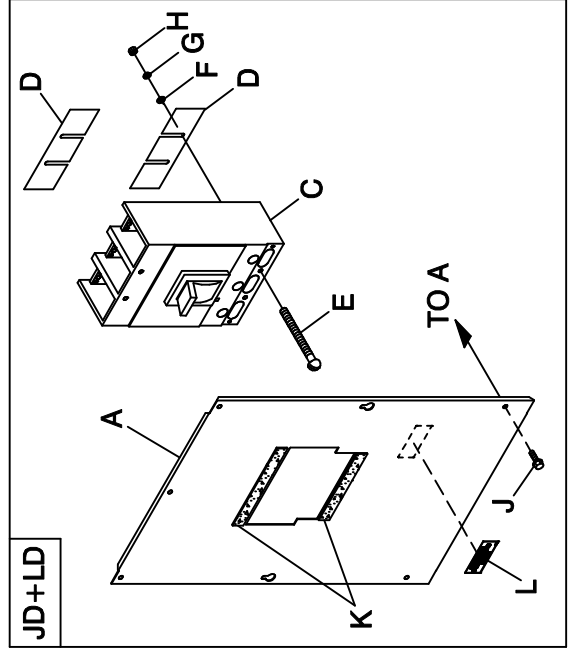
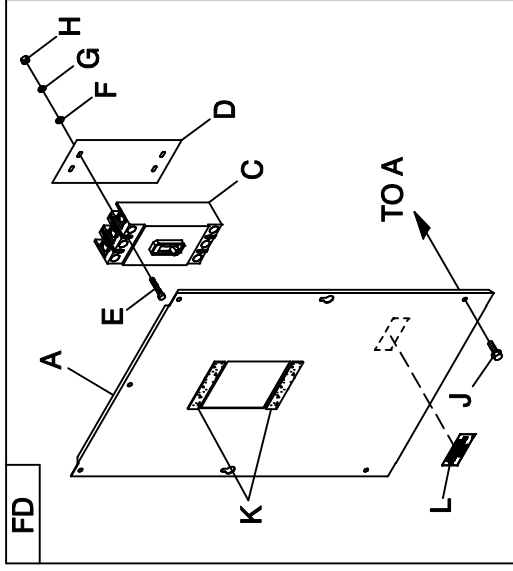


TROUBLESHOOTING GUIDE

PROBLEM	CAUSE	CORRECTION
Engine won't crank.	<ol style="list-style-type: none"> 1. 15 amp fuse blown. 2. Loose or corroded or defective battery cables. 3. Defective starter contactor. 4. Defective starter motor. 5. Dead or Defective Battery. 6. 5 amp fuse blown. 	<ol style="list-style-type: none"> 1. Replace fuse. 2. Tighten, clean or replace battery cables as necessary. 3. Replace contactor.* 4. Replace starter motor.* 5. Remove, change or replace battery. 6. Replace fuse.*
Engine cranks but won't start	<ol style="list-style-type: none"> 1. Out of fuel. 2. Fuel solenoid (FS) is defective 3. Open Wire #14A from Engine Control circuit board. 4. Spark plugs defective. 5. Door on tank not closed. 	<ol style="list-style-type: none"> 1. Replenish fuel. 2. Replace solenoid.* 3. Reconnect wire. 4. Clean, regap or replace plugs. 5. Close door on tank.
Engine starts hard, runs rough.	<ol style="list-style-type: none"> 1. Flame arrestor (air cleaner) plugged or damaged. 2. Plugged fuel line. 3. Defective spark plugs. 4. Fuel pressure incorrect. 	<ol style="list-style-type: none"> 1. Clean or replace as needed. 2. Unclog fuel line. 3. Clean, regap or replace plugs. 4. Confirm fuel pressure to regulator is as recommended in SPECIFICATIONS.
Engine starts then shuts down.	<ol style="list-style-type: none"> 1. Engine oil level is low. 2. Engine is overheated. 3. Defective Low Oil Pressure Switch 4. Defective Coolant Temperature Switch 5. Defective Control Module circuit board. 6. Coolant Level is Low. 7. Defective Low Coolant Level Switch 	<ol style="list-style-type: none"> 1. Check oil and add oil as needed. 2. Check cooling system for leaks. 3. Replace switch.* 4. Replace switch.* 5. Replace board.* 6. Repair leak - Add coolant. 7. Replace Switch.*
AUTO/OFF/MANUAL Switch at OFF, engine continues to run	<ol style="list-style-type: none"> 1. Defective AUTO/OFF/MANUAL switch 2. Open/disconnected wire #15A between AUTO/OFF/MANUAL switch and Control Module circuit board. 3. Defective Control Module circuit board 	<ol style="list-style-type: none"> 1. Replace switch.* 2. Reconnect/close wire. 3. Replace board.*
No AC output from generator.	<ol style="list-style-type: none"> 1. Check main line circuit breaker. 2. Check circuit breaker & fuses. 3. Transfer switch set to NORMAL position 4. Generator internal failure. 5. Thermal circuit breaker open. 	<ol style="list-style-type: none"> 1. Reset to ON or CLOSED. 2. Reset and replace, if necessary. 3. Set to GENERATOR position. 4. * 5. Auto-reset - Wait 5 min. and attempt restart.

***Contact the nearest Authorized Dealer for assistance.**

GROUP A



EXPLODED VIEW:
 CPL C3 H CONTROL CB CONNECTION
 DRAWING #: 0F3393D

EXPLODED VIEW: CPL C3 H CONTROL CB CONNECTION
DRAWING #: 0F3393D

GROUP A

APPLICABLE TO:

ITEM	PART #	QTY.	DESCRIPTION
1	0F2885	1	PANEL CB CONN BOX
2	0F2883	1	STAND RH CONTROL
	0F9637 (4)	1	STAND RH CONTROL, TWO HOLE (FOR 5.4L 100KW & 4.6L 80KW 1PHASE)
3	0F3685	1	STAND LH CONTROL C5 GRBX
4	023484N	1	BUSHING SNAP SB-2.5-31
	023484N	2	BUSHING SNAP SB-2.5-31 (FOR 5.4L 100KW & 4.6L 80KW 1PHASE)
5	086961	1	INTERFACE 1PH 240V
	067617030A	-	INTERFACE 3PHS 416/480V
	067617030B	-	INTERFACE 3PHS 208/240V
6	043180	4	WASHER FLAT M4
7	022264	4	WASHER LOCK #8-M4
8	0C3990	4	SCREW PHTT M4-0.7 X 10 ZYC
(1) 9	057701	REF.	BLOCK TERM 20A 8 X 6 X 1100V
10	022155	2	WASHER LOCK #6
11	0C2428	2	SCREW PHTT #6-32 X 1/2 ZYC
12	0F3618	1	DECAL CPL CUST CONN H CTRL
13	0A9457	1	DECAL NEUTRAL
14	057073	2	JUNCTION BLOCK 3/8-16
(2) 15	0D5466	REF.	BUS BAR NEUTRAL BLOCK 390
(2) 16	0A7822	REF.	LUG SLDLSS 600/250-1/0 X 1/4-28
17	022237	4	WASHER LOCK 3/8
18	022241	4	NUT HEX 3/8-16 STEEL
19	049226	6	WASHER LOCK M5
20	0C2266	6	SCREW PHTT M5-0.8 X 16 ZYC
21	0C2454	10	SCREW THF M6-1 X 16 N WA Z/JJS
22	042568	4	SCREW HHC M6-1.0 X 20 G8.8
23	022473	12	WASHER FLAT 1/4-M6 ZINC
24	022097	8	WASHER LOCK M6-1/4
25	049813	4	NUT HEX M6 X 1.0 G8 YEL CHR
(1) 26	0D4698	1	BLOCK TERM 20A 6 X 3 X 1100V
27	0F4464	1	DECAL CUST CONN 120V UTILITY
28	025433	1	LUG SLDLSS #6-14 X 13/64 CU
29	024469	1	SCREW HHTT #10-32 X 3/8 CZ
30	067210A	1	DECAL GROUND LUG
31	0D6029	4	SCREW HHTT M6-1.0 X 16 ZYC
32	051713	2	WASHER FLAT M5
33	081008	1	GROMMET 1.25 X .25 X .75
34	077043J	3	CONDUIT FLEX 2.0" ID
	077043J	4	CONDUIT FLEX 2.0" ID (FOR 5.4L 100KW & 4.6L 80KW 1 PHASE)
35	0F6156	1	PLATE WIRE SNGL GALV
36	029289	1	TAPE ELEC 1/2 FOAM (AS REQ'D)
(3) 37	0F8656	REF	ASSY PCB 4.6L IGNITION MODULE
	0F3113	REF	ASSY PCB HSB CTRL IGN MODULE (ALL OTHER APPLICATIONS EXCEPT 4.6L G3)
38	047411	4	SCREW HHC M6-1.0 X 16 G8.8
39	036943	2	SCREW PPHM #10/32 X 2
40	023897	2	WASHER FLAT #10 ZINC
41	022152	2	WASHER LOCK #10
42	022158	2	NUT HEX #10-32 STEEL

ITEM	PART #	QTY.	DESCRIPTION
1.)			UL CIRCUIT BREAKER (FD)
A	0F2887	1	COVER FD FRM CB
C	0D5572	-	CB 0150A 3P 600V S FD6 LL
	0D5573	-	CB 0175A 3P 600V S FD6 LL
	0D5575	-	CB 0225A 3P 600V S FD6 LL
	0D5576	-	CB 0250A 3P 600V S FD6 LL
D	0F0199	1	INSULATOR CB FD FRAME 30MIL
E	065960	4	SCREW SHC 1/4-20 X 4 G8.8 NZ
F	022473	4	WASHER FLAT 1/4-M6 ZINC
G	022097	4	WASHER LOCK M6-1/4
H	022127	4	NUT HEX 1/4-20 STEEL
J	0C2454	4	SCREW THF M6-1 X 16 N WA Z/JJS
K	029289	1	TAPE ELEC 1/2 FOAM (AS REQ'D)
L	0F1733	1	DECAL CUSTOMER CONNECT INSIDE
2.)			UL CIRCUIT BREAKER (JD+LD)
A	0F2721	1	COVER CIR BRKR JD/LD
C	0D5577	-	CB 0300A 3P 600V S JD6 LL
	0D5578	-	CB 0350A 3P 600V S JD6 LL
	0D5579	-	CB 0400A 3P 600V S JD6 LL
	0D5581	-	CB 0600A 3P 600V S LD6
	0D5585	-	CB 0450A 3P 600V S LD6 LL
D	0F2353	2	INSULATOR CIRCUIT BR. JD/LD
E	022770	4	SCREW RHM 1/4-20 X 3
F	022473	4	WASHER FLAT 1/4-M6 ZINC
G	022097	4	WASHER LOCK M6-1/4
H	022127	4	NUT HEX 1/4-20 STEEL
J	0C2454	7	SCREW THF M6-1 X 16 N WA Z/JJS
K	029289	1	TAPE ELEC 1/2 FOAM (AS REQ'D)
L	0F1733	1	DECAL CUSTOMER CONNECT INSIDE

(1) ITEM INCLUDED WITH HARNESS.

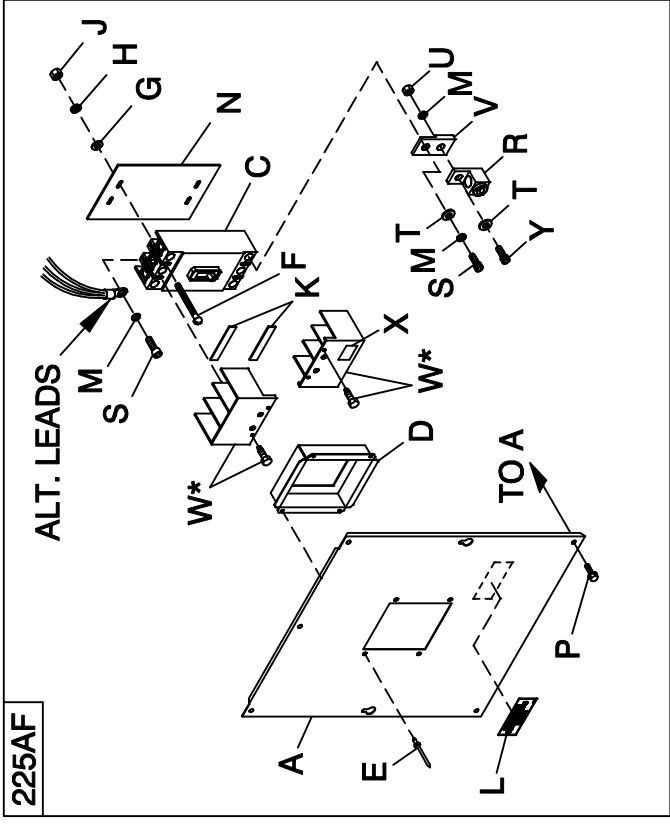
(2) ITEM INCLUDED WITH 0D5464B.

(3) ITEM IS PART OF 9R.

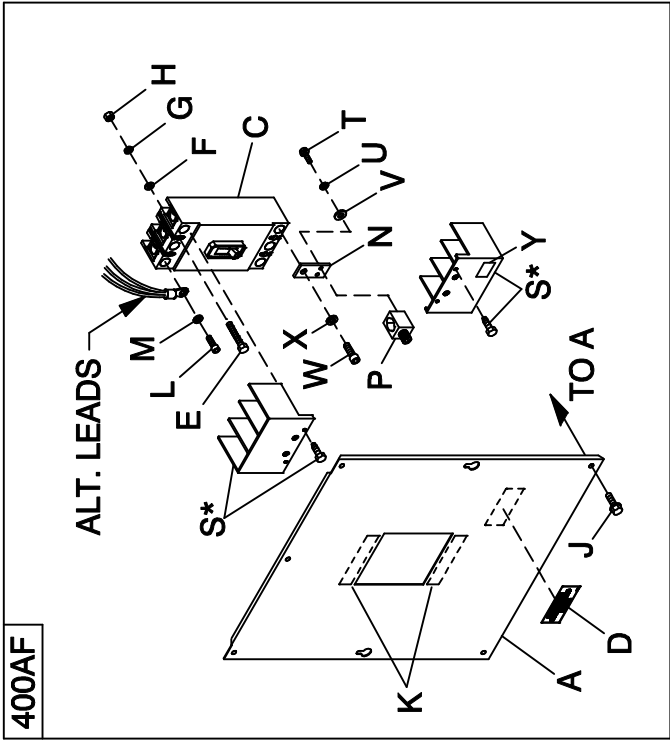
(4) ROUTE ONE SET (11, 22, 33, 44) THROUGH ONE HOLE; AND ROUTE THE SECOND SET (11, 22, 33, 44) THROUGH THE OTHER HOLE.

GROUP A

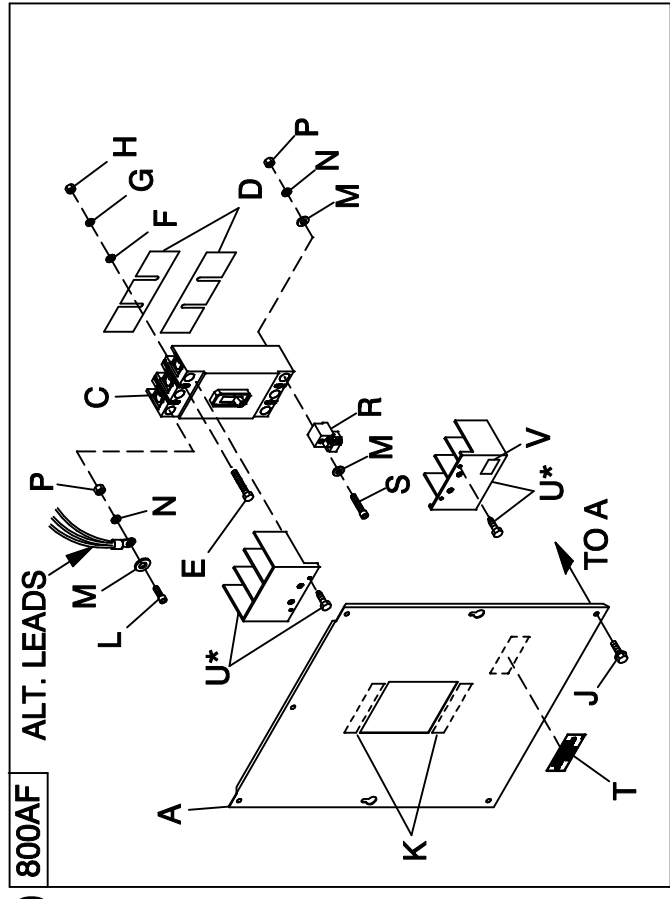
3.) 225AF



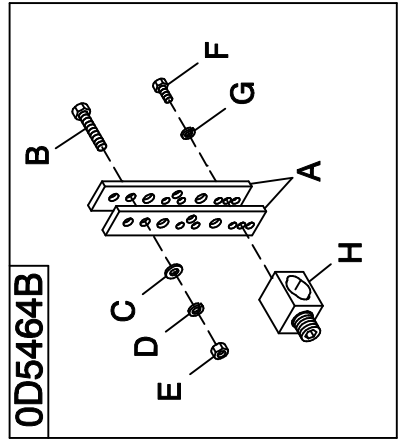
4.) 400AF



5.) 800AF



6.) 0D5464B



EXPLODED VIEW: CPL C3 H CONTROL CB CONNECTION
DRAWING #: 0F3393D

GROUP A

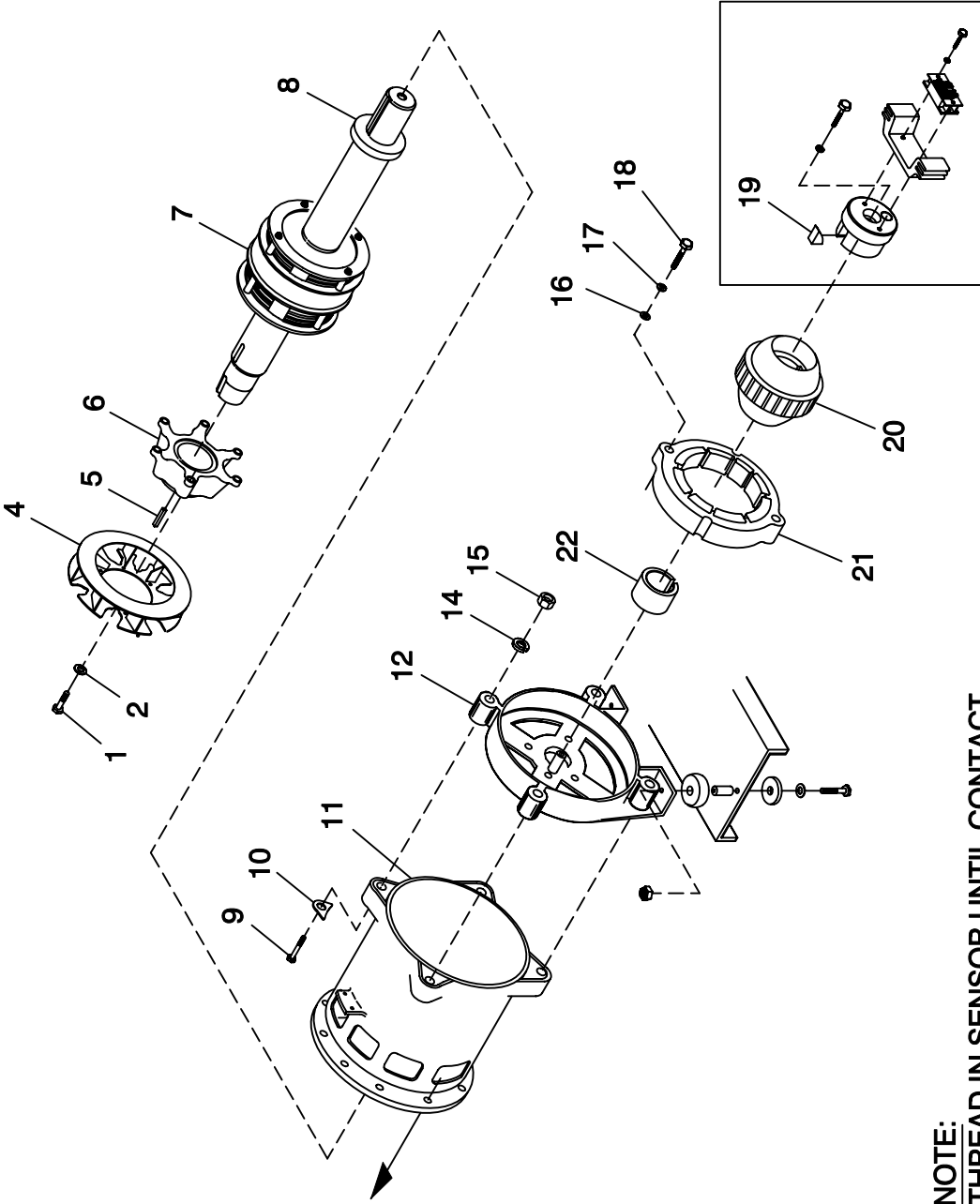
APPLICABLE TO:

ITEM	PART #	QTY.	DESCRIPTION
3.)			UL CIRCUIT BREAKER (225AF)
A	0F4173	1	COVER CB C5 225AF
C	0F4165\$	REF	CIRCUIT BREAKERS 200A FRAME
D	0F4186	1	COVER CB DISH 225AF
E	036261	4	RIVET POP .125 X .275 SS
F	053640	4	SCREW RHM #8-32 X 3-1/4
G	038150	4	WASHER FLAT #8 ZINC
H	022264	4	WASHER LOCK #8-M4
J	022471	4	NUT HEX #8-32 STEEL
K	029289	2	TAPE ELEC 1/2 FOAM
L	0F1733	1	DECAL CUSTOMER CONNECT INSIDE
M	022129	9	WASHER LOCK M8-5/16
N	0F8432	1	INSULATOR CB 225AF
P	0C2454	7	SCREW THF M6-1 X 16 N WA Z/JS
R	0F8451	3	LUG SLDLSS 300 MCM-6 AL/CU
S	049897	6	SCREW SHC M8-1.25 X 20 G8
T	022145	6	WASHER FLAT 5/16-M8 ZINC
U	045771	3	NUT HEX M8-1.25 G8 CLEAR ZINC
V	0F8843	3	BUS BAR 200A LUG ADAPTOR
(1) W	W/CB	2	TERMINAL COVER CB
X	0G3259	1	DECAL TERMINAL SHOCK HZD BI
Y	058306	3	SCREW SHC M8-1.25 X 25 G12.9
4.)			UL CIRCUIT BREAKER (400AF)
A	0F4175	1	COVER CB C5 400AF
C	0F4166\$	REF	CIRCUIT BREAKERS 400A FRAME
D	0F1733	1	DECAL CUSTOMER CONNECT INSIDE
E	042419	4	SCREW RHM 10-32 X 4
F	023897	4	WASHER FLAT #10 ZINC
G	022152	4	WASHER LOCK #10
H	022158	4	NUT HEX #10-32 STEEL
J	0C2454	7	SCREW THF M6-1 X 16 N WA Z/JS
K	029289	1	TAPE ELEC 1/2 FOAM
(2) L	052647	2/3	SCREW SHC M10-1.5 X 25 G12.9
(2) M	046526	2/3	WASHER LOCK M10
N	W/CB	3	BUS BAR CB ADAPTER 225-400 A
P	0A7822	3	LUG SLDLSS 600/250-1/0 X 1/4-28
R	022131	3	WASHER FLAT 3/8-M10 ZINC
(1) S	W/CB	2	TERM COVER CB
T	023334	6	SCREW HHC 1/4-28 X 1/2 G5
U	022097	6	WASHER LOCK M6-1/4
V	022473	6	WASHER FLAT 1/4-M6 ZINC
(2) W	W/CB	2/3	SCREW SHC M10-1.5 X 25 G12.9
(2) X	W/CB	2/3	WASHER LOCK M10
Y	0G3259	1	DECAL TERMINAL SHOCK HZD BI

ITEM	PART #	QTY.	DESCRIPTION
5.)			UL CIRCUIT BREAKER (800AF)
A	0F4176	1	COVER CB C5 800AF
C	0F4167\$	REF	CIRCUIT BREAKERS 800A FRAME
D	0F8433	2	INSULATOR CB 800AF
E	024196	4	SCREW RHM 1/4-20 X 3-1/2
F	022473	4	WASHER FLAT 1/4-M6 ZINC
G	022097	4	WASHER LOCK M6-1/4
H	022127	4	NUT HEX 1/4-20 STEEL
J	0C2454	7	SCREW THF M6-1X16 N WA Z/JS
K	029289	2	TAPE ELEC 1/2 FOAM
L	060619	3	SCREW SHC M10-1.50 X 40 G12.9
M	022131	9	WASHER FLAT 3/8-M10 ZINC
N	022237	6	WASHER LOCK 3/8
P	045772	6	NUT HEX M10-1.5 G8 YEL CHR
R	0F8452	3	LUG SLDLSS 500-750 X 2 MCM AL/CU
S	097950	3	SCREW SHC M10-1.25 X 70 G8.8
T	0F1733	1	DECAL CUSTOMER CONNECT INSIDE
(1) U	W/CB	2	TERM COVER VITZROTECH 400AF CB
V	0G3259	1	DECAL TERMINAL SHOCK HZD BI
6.)			NEUTRAL BLOCK 390 / 200-400A
A	0D5466	2	BUS BAR NEUTRAL BLOCK 390
B	039287	1	SCREW HHC M8-1.25 X 45 G8.8 FT
C	022145	1	WASHER FLAT 5/16-M8 ZINC
D	022129	1	WASHER LOCK M8-5/16
E	045771	1	NUT HEX M8-1.25 G8 YEL CHR
F	045335	2	SCREW HHC 1/4-28 X 3/4 G5
G	022097	2	WASHER LOCK M6-1/4
H	0A7822	1	LUG SLDLSS 600/250-1/0X1/4-28
(1) HARDWARE FOR MTG. CB TERMINAL COVERS IS SUPPLIED WITH CIRCUIT BREAKERS.			
(2) 2/3 QTY. 2POLE & 3 POLE CB.			

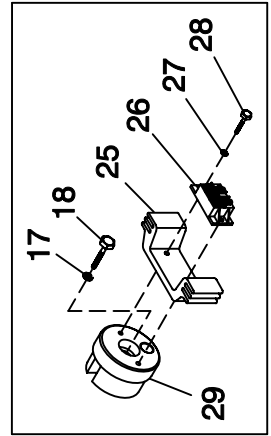
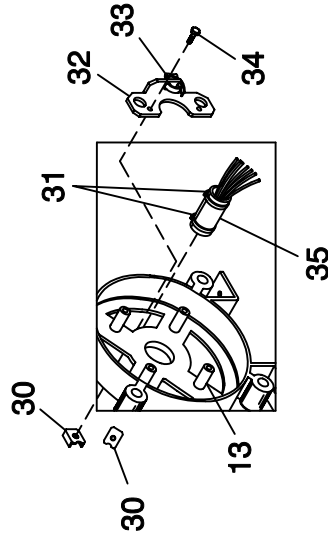
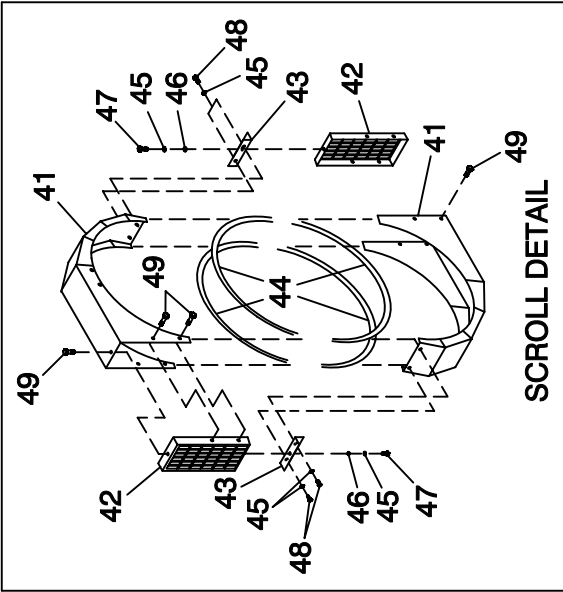
GROUP A

NOTE:
TORQUE ITEM #1 TO 24 FT/LB AND USE
THREAD LOCKING COMPOUND (T-13717).



NOTE:
THREAD IN SENSOR UNTIL CONTACT
IS MADE WITH RING GEAR, THEN BACK OFF
1/2 TO 3/4 TURN AND TIGHTEN NUT.

CAUTION:
DO NOT ROTATE ENGINE DURING THIS ADJUSTMENT.



EXPLODED VIEW:
CPL ALTERNATOR BRSHLSS GB
DRAWING #: 0F3577

EXPLODED VIEW: CPL ALTERNATOR BRSHLSS GB
 DRAWING #: 0F3577

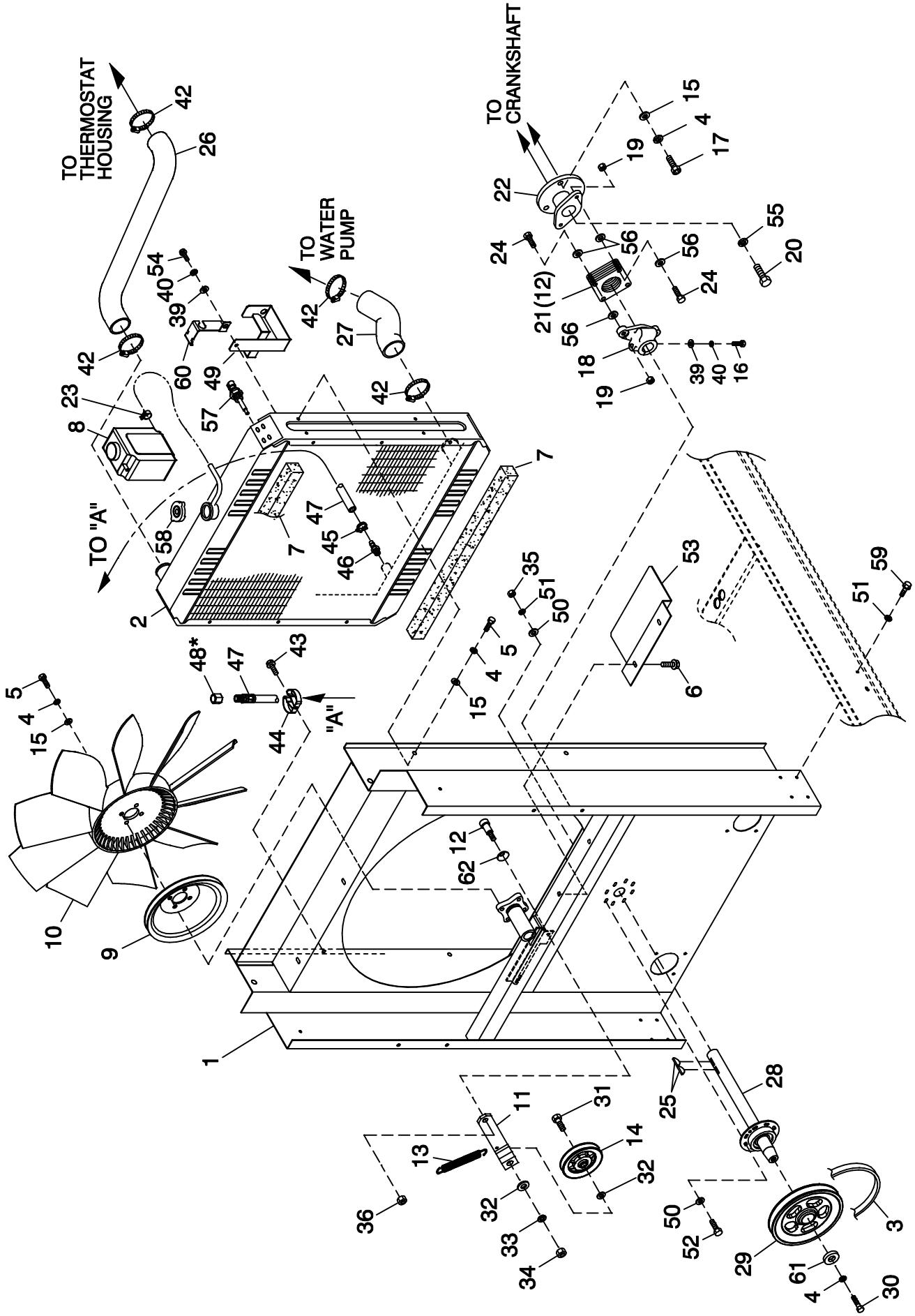
GROUP A

APPLICABLE TO:

ITEM	PART #	QTY.	DESCRIPTION
1	055173	6	SCREW HHC M8-1.25 X 20 G10.9
2	022129	6	WASHER LOCK M8-5/16
4	0E2747A	1	FAN SAE ALTERNATOR (G/B)
5	0A3870	1	KEY SQ 3/8 X 1-9/16 STEEL
6	0A3009	1	HUB DRIVE 390 SAE GB
7	0F5564D	1	RTR 390 100KB3 GB SAE TECHUM
	0F5563D	1	RTR 390 130KB4 GB SAE TECHUM
	0A3881D	1	RTR 390 80GB BR BRLSS
	0A3881B	1	RTR 390 80GB 1P BRLSS
	0A3882B	1	RTR 390 100GB 1P BRLSS
	0A3883B	1	RTR 390 125GB 1P BRLSS
8 *	052624	1	BEARING BALL 6212 SEALED
9	0A5580	4	SCREW HHC M14-2.0 X 140 G8.8
10	0A1633	4	WASHER 390 SAE ALT.
11	0F7351	1	STR 390 130 GB4 CPL
	0F7349	1	STR 390 80 AB3 CPL
	0F7348	1	STR 390 100 AB3 CPL
	0F7350	1	STR 390 130 AB4 CPL
	0F7024D	1	ASSY STR 390 80KB3 SAE
12	068113	1	CARRIER REAR BRG 15"
13	022392	2	PIN DOWEL 1/2 X 1-1/4
14	043123	4	WASHER LOCK M14
15	051779	4	NUT HEX M14-2.0 G8 YEL CHR
16	052259	2	WASHER FLAT M12
17	051769	3	WASHER LOCK M12
18	068406	3	SCREW HHC M12-1.75 X 60 G10.9
19	072878	1	KEY SQ 3/8 X 3-1/4 STEEL
20	087272	1	ASSY EXCITER 2.00" STK
21	068405C	1	EXITER FIELD 2" LG SPD CONN
22	092950	1	COLLAR SLIP FIT 390 MM
25	090063	1	BRIDGE SUPPORT DIODE 15"
26	090152	1	ASSY BRIDGE RECTIFIER
27	023365	3	WASHER SHAKEPROOF INT #8
28	033143	2	SCREW HHM #8-32 X 7/8
29	090064	1	CAP END ROTOR 390MM
30	083485	2	PLATE NUT
31	031980	2	TIE WRAP UL 14.6 X .14 NATL
32	083401	1	BRACKET-STATOR WIRE
33	042561	1	CLAMP HOSE #36 1.88-2.7
34	033212	2	SCREW HHC 5/16-18 X 1-1/4 G5
35	083549	1	SLEEVE RUBBER
40	0A4089	1	ASSY SCROLL 390 SAE
	KIT PARTS		I/N'S: 41 THRU 49
41	0A2491	2	SHROUD ALT SHEET METAL
42	0A2497	2	SCREEN SHROUD SAE
43	0A2496	2	BRKT TENSIONER SAE SCROLL
44	056326	8.4 FT.	TRIM VINYL BLACK 1/8 GP
45	022307	6	WASHER LOCK M6-1/4
46	022473	6	WASHER FLAT 1/4-M6 ZINC
47	045757	2	SCREW HHC M6-1.0 X 25 G8.8
48	047411	4	SCREW HHC M6-1.0 X 16 G8.8
49	0A2110	12	SCREW SWAGE 1/4-20 X 1/2 ZYC

* ROTOR REPLACEMENT PART

GROUP C



EXPLODED VIEW:
COOLING SYSTEM & FAN DRIVE
DRAWING #: 0F2703

EXPLODED VIEW: COOLING SYTEM & FAN DRIVE
DRAWING #: 0F2703

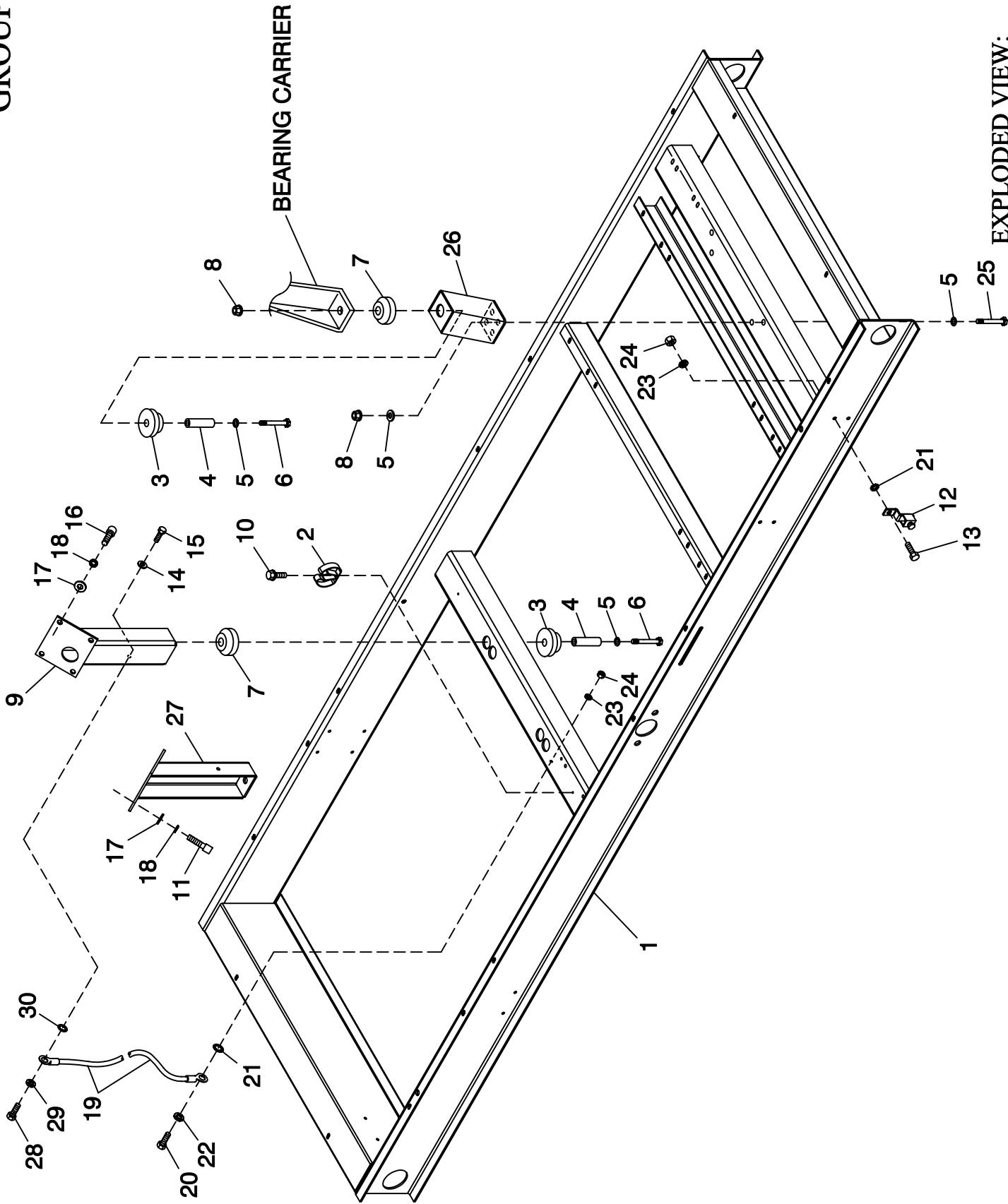
GROUP C

APPLICABLE TO:

ITEM	PART #	QTY.	DESCRIPTION
1	0F2687	1	WELDMENT RADIATOR SUPPORT150
2	0F2611	1	RADIATOR 680 X 680 X 70 CPL
3	0F5254	1	V-BELT 31/64" X 62-3/8"
	0F5253	1	V-BELT 31/64" X 61-3/8" (5.4L 100KW ONLY)
	0F7077	1	V-BELT 1/2" X 63-3/8" (6.8L 100 130KW)
4	046526	12	WASHER LOCK M10
5	051756	8	SCREW HHC M10-1.5 X 20 G8.8
6	0C2454	2	SCREW THF M6-1 X 16 N WA ZJJS
7	052250	2	TAPE FOAM 1 X 1 (26.75" LG)
8	076749	1	TANK COOLANT RECOVERY
9	0F2573	1	PULLEY FAN V-GROOVE 9"
10	0F2610	1	FAN 26" LH ROTATION
11	0G51580ST03	1	TENSIONER ARM, PULLER SYSTEM
12	0G2990	1	SHOULDER BOLT 3/8 X 1/2"
13	0F2862	1	SPRING TENSION CPL
14	0F2560	1	PULLEY V-BELT 4" FLANGED
15	022131	15	WASHER FLAT 3/8-M10 ZINC
16	039414	1	SCREW HHC M8-1.25 X 35 G8.8
17	052625	3	SCREW SHC M10-1.5 X 35 G12.9
18	0F2561	1	HUB FLEX PLATE
19	0C8165	5	NUT HEX LOCK 5/16-24 NY INS
20	0D6795	1	SCREW HHC M12-1.5 X 60 G8.8
21	0C7043	12	DISK FLEX
22	0E8909	1	COUPLING HUB FLEX (MACH)
23	048031C	1	CLAMP HOSE BAND 1/4
24	0C8146	4	SCREW HHC 5/16-24 X 1.124
25	082774	2	KEY WOODRUFF 4 X 19D
26	0F2686	1	HOSE RADIATOR UPPER CPL
27	0F5463	1	HOSE LOWER RAD CPL C5 6.8L
28	0F8695	1	ASSY BRG/SHAFT CPL FANDRIVE
29	0F4028	1	PULLEY 6.5" DIA MACHINED (6.8L 100KW)
	0F4030	1	PULLEY 6" DIA MACHINED (6.8L 130KW)
	0F4032	1	PULLEY 5.5" DIA MACHINED (5.4L 80KW & 6.8L 150KW)
	0F4496	1	PULLEY 4.5" DIA MACHINED (5.4L 100KW)
30	042911	1	SCREW HHC M10-1.5 X 30 G8.8
31	0F2872	1	SCREW HHC 1/2-13 X 2" G8
32	022304	2	WASHER FLAT 1/2 ZINC
33	022195	1	WASHER LOCK 1/2
34	022196	1	NUT HEX 1/2-13 STEEL
35	049813	8	NUT HEX M6 X 1.0 G8 YEL CHR
36	070015	1	NUT HEX LOCK 5/16-18 NY INS SS
39	022145	1	WASHER FLAT 5/16-M8 ZINC
40	022129	1	WASHER LOCK M8-5/16
42	035685	4	CLAMP HOSE #28 1.32-2.25
43	045764	1	SCREW HHTT M4-0.7 X 8 BP
44	065852	1	SPRING CLIP HOLDER .37-.62
45	0C7649	1	CLAMP HOSE .38-.87
46	055596	1	BARBED STR 3/8 NPT X 3/8
47	069860E	1	HOSE DRAIN ASSY 28"
48 *	069811	REF	CAP HEX 1/4 NPT BRASS
49	080713	1	BRACKET COOLANT TANK
50	022473	16	WASHER FLAT 1/4-M6 ZINC
51	022097	16	WASHER LOCK M6-1/4
52	042568	8	SCREW HHC M6-1.0 X 20 G8.8
53	0F5050	1	SHIELD RADIATOR C5
54	039253	1	SCREW HHC M8-1.25 X 20 G8.8
55	051769	1	WASHER LOCK M12
56	0C8145	8	WASHER FLEX (THIN)
57	0E2507	1	PROBE, COOLANT LEVEL 3/8 NPTF
58	090283	1	CAP RADIATOR 13 PSI
59	0C8566	8	SCREW HHFC M6-1.0 X 20 G8.8
60	0F2776A	1	BRACKET, SIGNAL CONDITIONER
61	052644	1	SPACER .5 X 1.5 X .25 STL/ZINC
62	0G4376	1	WASHER BELLEVILLE .75X.38X.028

* ITEM 48 IS INCLUDED WITH 47.

GROUP C

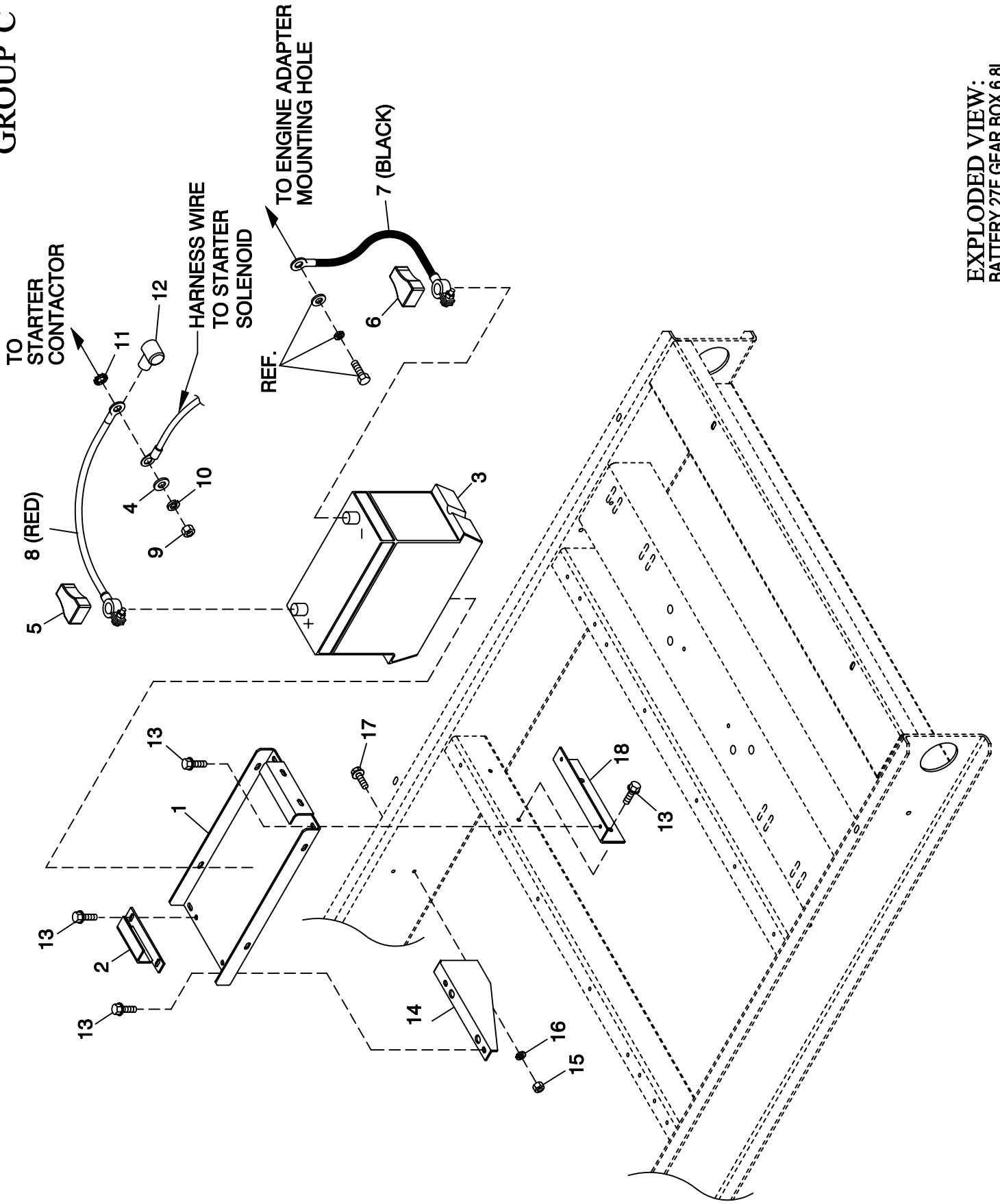


EXPLODED VIEW:
MOUNTING BASE
DRAWING #: 0F3587

EXPLODED VIEW: MOUNTING BASE**DRAWING #: 0F3587****GROUP C****APPLICABLE TO: 6.8L GB C5**

ITEM	PART #	QTY.	DESCRIPTION
1	0F3384	1	BASE CPL 100-130KW 6.8L GB
2	065852	1	SPRING CLIP HOLDER .37-.62
3	052252	4	DAMPENER VIBRATION
4	052257	4	SPACER .49 X .62 X 1.87 PWDR/ZINC
5	052259	8	WASHER FLAT M12
6	055597	4	SCREW HHC M12-1.75 X 85 G8.8
7	052251A	4	DAMPENER VIBRATION 50 WHITE
8	052860	4	NUT LOCKING M12-1.75
9	0F2895	1	SUPPORT ENG 5.4L LH/RH 6.8L RH
10	045764	1	SCREW HHTT M4-0.7 X 8 BP
11	090502	4	SCREW SHC M10-1.5 X 60 G12.9
12	061383	1	LUG SOLDERLESS 3/0-#4 X 13/32 CU
13	043107	1	SCREW HHC M8-1.25 X 25 G8.8
14	022473	1	WASHER FLAT 1/4-M6 ZINC
15	049813	1	NUT HEX M6 X 1.0 G8 YEL CHR
16	057192	4	SCREW SHC M10-1.5 X 30 G12.9
17	022131	8	WASHER FLAT 3/8-M10 ZINC
18	046526	8	WASHER LOCK M10
19	0536210360	1	WIRE ASSEM #4GA GRD
20	042909	1	SCREW HHC M8-1.25 X 30 G8.8
21	022261	2	WASHER SHAKEPROOF INT 3/8
22	022129	1	WASHER LOCK M8-5/16
23	022145	2	WASHER FLAT 5/16-M8 ZINC
24	045771	2	NUT HEX M8-1.25 G8 YEL CHR
25	053557	4	SCREW HHC M12-1.75 X 40 G8.8
26	0F2591	2	TOWER GB COMPROD C5
27	0F2910	1	SUPPORT ENGINE 6.8L LH SIDE
28	038750	1	SCREW HHC M6-1.0 X 30 G8.8
29	022097	1	WASHER LOCK M6-1/4
30	022447	1	WASHER SHAKEPROOF INT 1/4

GROUP C



EXPLODED VIEW:
BATTERY 27F GEAR BOX 6.8L
DRAWING #: 0G0775

EXPLODED VIEW: BATTERY 27F GEAR BOX 6.8L

DRAWING #: 0G0775

GROUP C

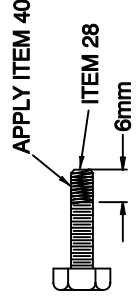
APPLICABLE TO:

ITEM	PART #	QTY.	DESCRIPTION
1	0F3408A	1	TRAY BATTERY 27F
2	0F3411A	1	STRAP BATTERY RETAINMENT 27F
3	058665	1	BATTERY 12VDC 90-AH 27F
4	022131	1	WASHER FLAT 3/8-M10 ZINC
5	050331A	1	BATTERY POST COVER RED +
6	050331	1	BATTERY POST COVER BLK -
7	038805Z	1	CABLE BATTERY BACLK #1 X 26.00
8	038804U	1	CABLE BATTERY RED #1 X 28.00
9	045771	1	NUT HEX M8-1.25 G8 YEL CHR
10	022129	1	WASHER LOCK M8-5/16
11	027482	1	WASHER SHAKEPROOF EXT 5/16 STL
12	075763	1	BOOT BATTERY CABLE
13	0C2454	8	SCREW THF M6-1 X 16 N WA Z/JS
14	0F3409	1	SUPPORT BATTERY TRAY
15	022097	2	WASHER LOCK M6-1/4
16	049813	2	NUT HEX M6 X 1.0 G8 YEL CHR
17	042568	2	SCREW HHC M6-1.0 X 20 G8.8
18	0G0783	1	SUPPORT 27F BATTERY

GROUP D

TORQUE SPECS:
 1/N 4, 6, 7, 39 & 45 TO 32 ft-lbs.
 1/N 12 TO 196 ft-lbs.
 1/N 38 TO 34 ft-lbs.
 1/N 28 & 46 TO 47 ft-lbs.

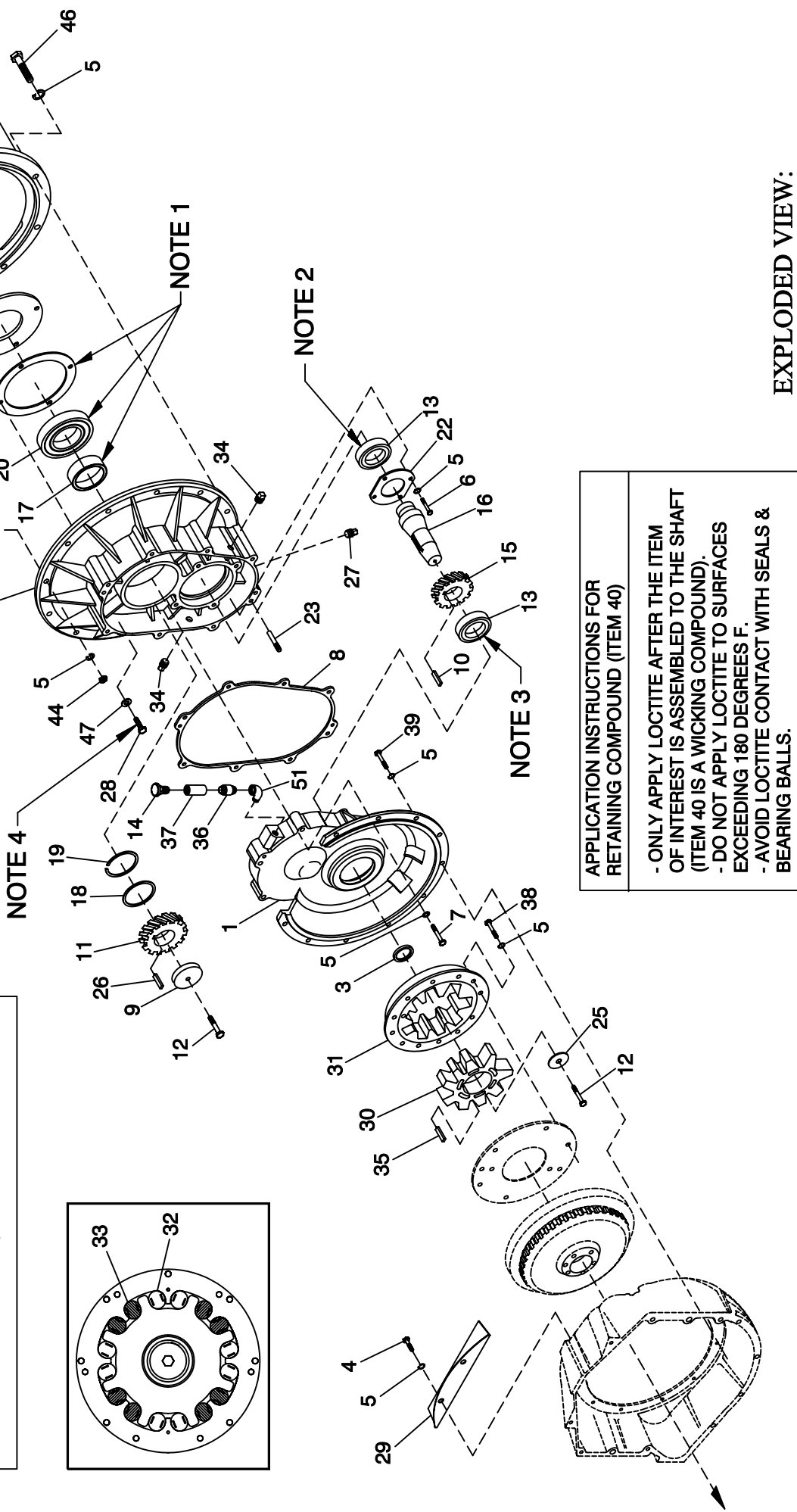
NOTES:
 1. APPLY ITEM 40 TO THE ID.
 2. APPLY ITEM 40 TO THE ID. AND OD.
 3. APPLY ITEM 40 TO THE ID.
 4. APPLY ITEM 40 TO 6MM OF THREADS AS SHOWN.



APPLY ITEM 40 HERE

ITEM 28

6mm



APPLICATION INSTRUCTIONS FOR RETAINING COMPOUND (ITEM 40)

- ONLY APPLY LOCTITE AFTER THE ITEM OF INTEREST IS ASSEMBLED TO THE SHAFT (ITEM 40 IS A WICKING COMPOUND).
- DO NOT APPLY LOCTITE TO SURFACES EXCEEDING 180 DEGREES F.
- AVOID LOCTITE CONTACT WITH SEALS & BEARING BALLS.

EXPLODED VIEW:
 GEARBOX 390
 DRAWING #: 0F1792

EXPLODED VIEW: GEARBOX 390

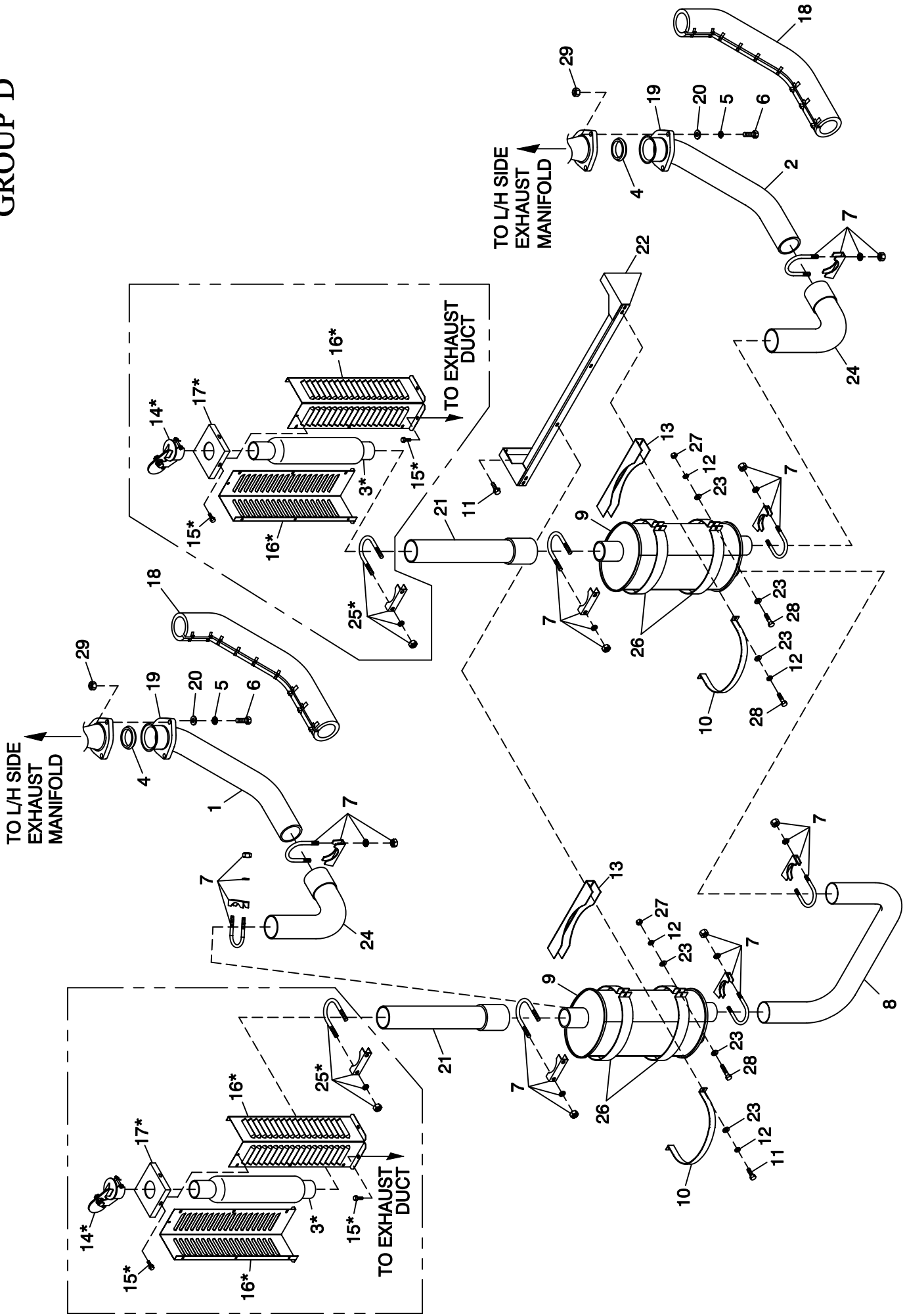
DRAWING #: 0F1792

GROUP D

APPLICABLE TO:

ITEM	PART #	QTY.	DESCRIPTION
1	0F2123	1	GEAR CASE ENG. MACHINED
2	0F2122	1	GEAR CASE ALT. MACHINED
3	095613	1	SEAL OIL
4	051756	2	SCREW HHC M10-1.5 X 20 G8.8
5	046526	44	WASHER LOCK M10
6	049814	4	SCREW HHC M10-1.5 X 25 G8.8
7	051735	8	SCREW HHC M10-1.5 X 70 G8.8
8	0F2097	1	GASKET 390 GEARBOX
9	072879	1	SPACER .69 X 2.75 X .37 ST/ZNC
10	097557B	1	KEY 10 X 16 X 46
11	097785	1	GEAR OUTPUT 1.65:1
	095970	1	GEAR OUT 390-50H 37T
	095968	1	GEAR OUT 390-60H 35T
	0E6866	1	GEAR OUTPUT 2:1 50HZ 390
12	070263	2	SCREW HHC M16-2.0 X 35 G10.9
13	057019	2	BALL BRG 65 X 120 X 23
14	026847	1	BREATHER
15	097784	1	GEAR INPUT 1.65: 1
	095969	1	GEAR INPT 390-50 25T
	095967	1	GEAR INPT 390-60 27T
	0E6865	1	GEAR INPUT 2:1 50HZ 390
16	095966	1	SHAFT 390 INPUT GEAR
17	095976	1	COLLAR HARDENED
18	095971	1	SEAL OIL
19	096777	1	SNAP RING INT 120MM
20	057019S	1	BEARING #6213 SEALED
22	096379	1	PLATE INTRNL BRG RET
23	048189	2	PIN DOWEL M8 X 24
24	095979	1	PLATE BEARING THRST
25	021159	1	SPACER STRESSPROOF
26	097557A	1	KEY 10 X 16 X 40
27	057163	1	PLUG PIPE 3/8" MAGNETIC
28	0F6518	4	SCREW HHFC M10-1.5 X 25 G10.9
29	0F3201	1	COVER GEARBOX GUARD
30	020443	1	COUPLING INNER DRAWN
31	094666A	1	COUPLING OUTER MACHN
32	099828	8	DAMPER GB CPLR VIBRA
33	099828A	8	DAMPER GB CPLR VIBRA
34	026925	2	PLUG STD PIPE 3/8 STEEL SQ HD
35	097557C	1	KEY 10 X 16 X 50
36	038591	1	NIPPLE PIPE 3/8 NPT X 3-1/2
37	025066	1	COUPLING FULL 3/8-18
38	031578	6	SCREW HHC 3/8-16 X 1-1/2 G8
	052625	REF.	SCREW SHC M10-1.5 X 35 G12.9 (FORD ENGINES)
39	049814	10	SCREW HHC M10-1.5 X 25 G8.8
40	0A1786	2.5cc	RETAINING COMPOUND
41	027175	.200 GAL	LUBE GREASE SAE #90 80W90 (NOT SHOWN)
44	045772	10	NUT HEX M10-1.5 G8 YEL CHR
45	052243	10	SCREW HHC M10-1.5 X 60 G8.8
46	057642	2	SCREW HHC M10-1.5 X 40 G10.9
47	0F6487	4	WASHER FLAT M10 SEALING COPPER
48	0F6355	1	GASKET SEAL PLATE 390 GB
49	0F6477	.050 GAL	ENHANCER GEAR OIL (NOT SHOWN)
50	0F6557	0.4cc	THREADLOCK AND SEALANT
51	026924	1	ELBOW 90D STREET 3/8

GROUP D



EXPLODED VIEW:
MUFFLER 5.4L/6.8L CPL EXHAUST C5
DRAWING #: 0F2969

EXPLODED VIEW: MUFFLER 5.4L/6.8L CPL EXHAUST C5
DRAWING #: 0F2969

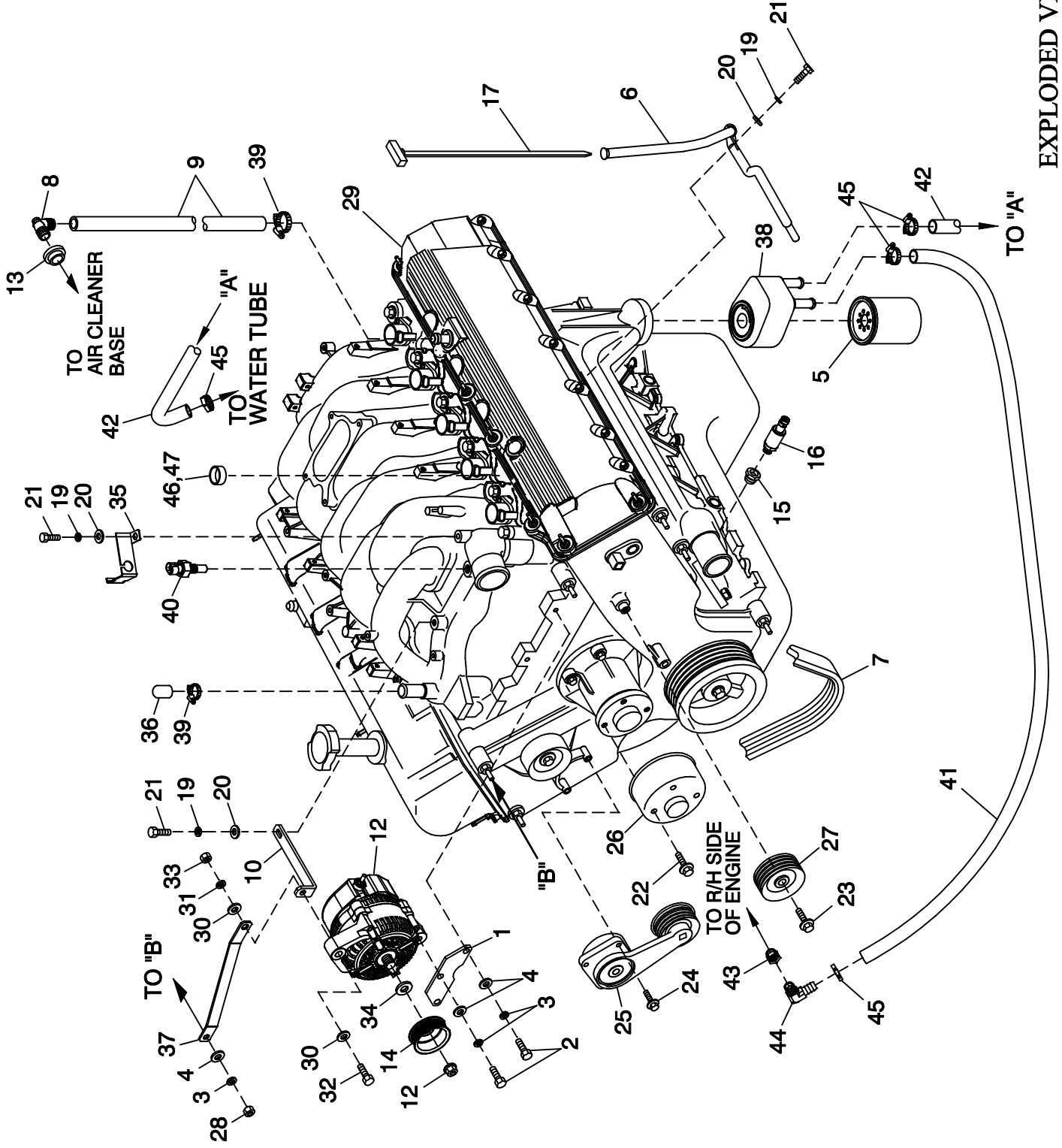
GROUP D

APPLICABLE TO:

ITEM	PART #	QTY.	DESCRIPTION
1	0F2807C	1	PIPE EXH MAN R/H 6.8L G/B CPL (6.8L C5)
	0F2807E	1	PIPE EXH MAN R/H 5.4L G/B & 2P (5.4L C5)
	0F9207	1	PIPE EXH MANIFOLD 4.6L RH
2	0F2807B	1	PIPE EXH MAN L/H 6.8L G/B CPL (6.8L C5)
	0F2807D	1	PIPE EXH MAN L/H 5.4L G/B & 2P (5.4L C5)
	0F9208	1	PIPE EXH MANIFOLD 4.6L LH
(1) 3	0F4505	REF	GLASS PACK 23.5" LG 2.5" IN/OUT
4	0A6765	2	RING GASKET 2.5 DIA
5	0F4710	6	WASHER LOCK M10 SS
6	0F7200	6	SCREW HHC M10-1.5 X 50 SS FTH
7	080762	8	BOLT U 3/8-16 X 2.62
8	0F2809	1	PIPE EXHAUST CROSSOVER
9	0F2981A	2	MFLR 7" X 9" X 25" (2) 2.5" IN/2.5" OUT
10	0F2962	2	MUFFLER STRAP
11	0C2454	4	SCREW THF M6-1 X 16 N WA Z/JS
12	022097	8	WASHER LOCK M6-1/4
13	0F2830	2	MUFFLER BRACKET STIFFENER
(1) 14	0F4462	REF	RAIN CAP ALUM FOR 2-1/2" PIPE
(1) 15	0C2454	REF	SCREW THF M6-1 X 16 N WA Z/JS
(1) 16	0F4367	REF	HEAT SHIELD EXHAUST STACK
(1) 17	0F4368	REF	CAP HEAT SHIELD EXHAUST STACK
18	0F2773C	2	EXHAUST BLANKET 900MM LONG (6.8L C5)
	0F2773D	2	EXHAUST BLANKET 850MM LONG (5.4L C5)
19	0D3159	2	FLANGE EXHAUST
20	088775	6	WASHER FLAT 3/8 SS
21	0F2808	2	EXHUAUST OUTLET PIPE CPL
22	0F5447	1	BRKT MUFFLER
23	022473	12	WASHER FLAT 1/4-M6 ZINC
24	0F6214	2	PIPE ELBOW EXHAUST MUFFLER
(1) 25	080762	REF	BOLT U 3/8-16 X 2.62
26	0F6803	4	MUFFLER STRAP UPPER/LOWER
27	049813	4	NUT HEX M6 X 1.0 G8 YEL CHR
28	049721	8	SCREW HHC M6-1.0 X 35 G8.8 BLK
29	088510	6	NUT HEX M10-1.5 SS

(1) PARTS INCLUDED IN 0F6332 KIT (TAN) OR 0F6332B KIT (TELECOM GRAY) GLASS PACK SHIP LOOSE.

GROUP D



EXPLODED VIEW:
ENGINE COMMON PARTS L/H SIDE (6.8L CPL)
DRAWING #: 0F3016

EXPLODED VIEW: ENGINE COMMON PARTS L/H SIDE (6.8L CPL)

DRAWING #: 0F3016

GROUP D

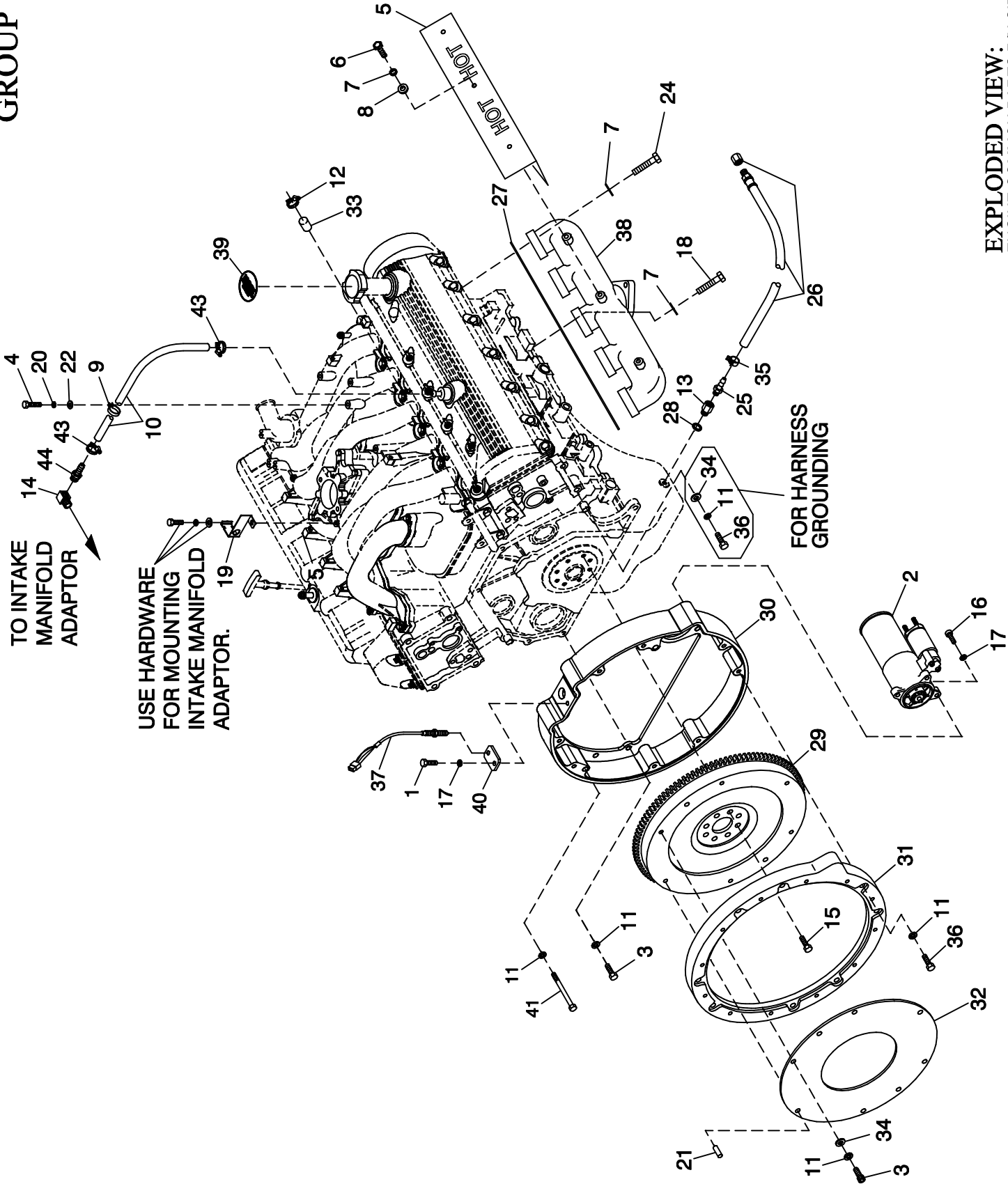
APPLICABLE TO:

ITEM	PART #	QTY.	DESCRIPTION
1	0F3017	1	BRACKET,D.C. ALTERNATOR LOWER
2	039253	3	SCREW HHC M8-1.25 X 20 G8.8
3	022129	4	WASHER LOCK M8-5/16
4	022145	4	WASHER FLAT 5/16-M8 ZINC
(2) 5	0D5419	REF	OIL FILTER, FORD V-10 ENGINE
6	0D7055	1	DIPSTICK TUBE, FORD 6.8L
7	0D3488G	1	BELT SERPENTINE (65.0" LG) (1800 RPM)
	0D3488J	1	BELT SERPENTINE (65.3" LG) (2300 RPM)
	0D3488	1	BELT SERPENTINE (67.16" LG) (3000 RPM)
	0D3488K	1	SERPENTINE BELT (68.3" LG) (3600 RPM)
8	057795A	1	BARBED EL 90 3/4 PLASTIC
9	059057	1	HOSE 3/4 ID SAE-30R2 (16.75"LG)
10	0F3287	1	BRACKET DC ALTERNATOR UPPER
11	0F5990	1	HARN ENG 6.8L H-100 (NOT SHOWN)
	0F4419	1	HARN ENG 6.8L G-100 (NOT SHOWN)
	0F9786	1	HARN ENG 6.8L G-100 MQT 208V (NOT SHOWN)
12	0E9868A	1	ALTERNATOR DC W/OUT PULLEY
13	057796	1	GROMMET
14	0F3216	1	PULLEY 80 OD DC ALTERNATOR (1800 RPM)
	0F3216A	1	PULLEY 102 OD DC ALTERNATOR (2300 RPM)
	0F3216C	1	PULLEY 132 OD DC ALTERNATOR (3000 RPM)
	0F3216D	1	PULLEY 160 OD DC ALTERNATOR (3600 RPM)
15	055476	1	BUSHING REDUCER 3/8 TO 1/8 GAL
16	0F4612	1	SENDER OIL PRESSURE 1/8" NPT
17	0D6658	1	DIPSTICK 6.8L FORD
(1) 18	029333A	2	TIE WRAP UL 7.4" X .19" BLK (NOT SHOWN)
19	022097	3	WASHER LOCK M6-1/4
20	022473	3	WASHER FLAT 1/4 ZINC
21	042568	3	SCREW HHC M6-1.0 X 20 G8.8
22	0D8027	4	BOLT WATER PUMP PULLEY
23	0D8025	1	BOLT GROOVED IDLER PULLEY
24	0D8026	3	BOLT BELT TENSIONER
25	0D8030	1	TENSIONER ENG. AUTOMATIC BELT
26	0F2846	1	PULLEY WATER PUMP FORD (1800RPM UNITS)
	0D8029	1	PULLEY ENGINE WATER PUMP (2-POLE & GEAR BOX)
27	0D8028	1	PULLEY GROOVED ENGINE IDLER
28	045771	1	NUT HEX M8-1.25 G8 YEL CHR
29	0D3454A	1	ENGINE G6.8L G3 V-10
30	022131	2	WASHER FLAT 3/8-M10 ZINC
31	046526	1	WASHER LOCK M10
32	064416	1	SCREW HHC M10-1.5 X 45 G8.8 FT
33	045772	1	NUT HEX M10-1.5 G8 YEL CHR
34	0F3217	1	SPACER DC ALTERNATOR PULLEY
35	0F2776A	1	BRACKET SIGNAL CONDITIONER
36	0F6151	1	CAP RUBBER
37	0F4308	1	BRACKET DC ALT STABILIZER
38	0F3158	1	OIL COOLER FORD (150KW 3600RPM)
39	057823	2	CLAMP HOSE #10 .56-1.06
40	0E0502	1	TEMPERATURE SENDER DELPHI
41	0G0866	1	HOSE OIL COOLER PREFORMED 3/4 (150KW 3600RPM)
42	0F4301	1	HOSE OIL COOLER (150KW 3600RPM)
43	0F4355	1	ADAPTOR 1/2" NPT - 3/8" NPT (150KW 3600RPM)
44	0G0153	1	BARBED EL 90 1/2 NPT X 3/4 HOSE (150KW 3600RPM)
45	057823	4	CLAMP HOSE #10 .56-1.06 (150KW 3600RPM)
46	0E0992A	10	PLUG EXPANSION 14 OD
47	078637	A/R	ADHESIVE LOCTITE 620

(1) NOTE: I/N 18 IS FOR HOLDING SENSOR TO I/N 35.

(2) I/N 5 PART OF I/N 29.

GROUP D



EXPLODED VIEW:
 ENGINE COMMON PARTS R/H SIDE 6.8L GB CPL
 DRAWING #: 0F3557

EXPLODED VIEW: ENGINE COMMON PARTS R/H SIDE 6.8L G/B CPL

DRAWING #: 0F3557

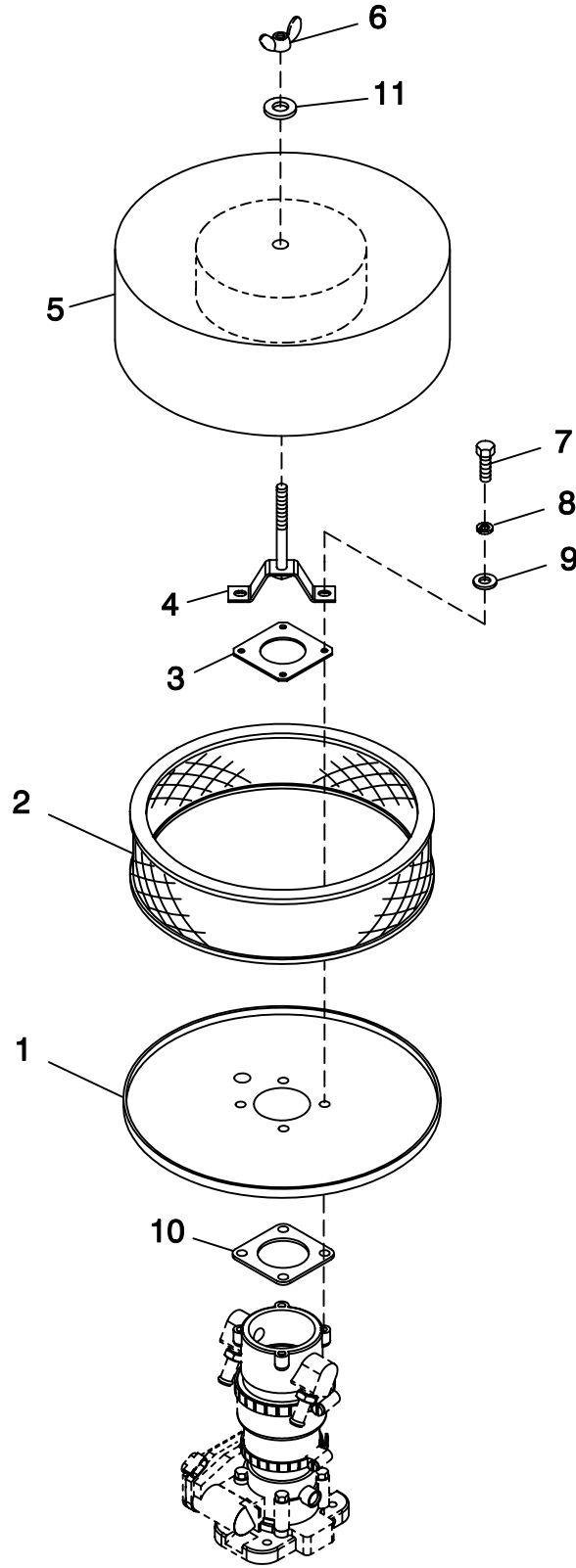
GROUP D

APPLICABLE TO:

ITEM	PART #	QTY.	DESCRIPTION
1	039253	1	SCREW HHC M8-1.25 X 20 G8.8
2	0D5418	1	STARTER MOTOR FORD V-10 ENGINE
3	052625	11	SCREW SHC M10-1.5 X 35 G12.9
4	047411	1	SCREW HHC M6-1.0 X 16 G8.8
5	0D5623	2	HEAT SHIELD EXHAUST
6	0D2608	10	SCREW HHC 5/16-18 X 1/2 SSTL
7	070006	30	WASHER LOCK M8 SSTL
8	070008	10	WASHER FLAT M8 SS
9	055934M	1	CLAMP VINYL .75 X .343 Z
10	0G0321	1	HOSE COOL 5/8" ID 250#WP (14")
11	046526	23	WASHER LOCK M10
12	057823	1	CLAMP HOSE #10 .56 - 1.06 (2300 & 3000RPM UNITS ONLY)
13	057765	1	ADAPTER M14-1.50 X 3/8 NPT
14	046964	1	ELBOW 90D 1/4 NPT F-M BRASS
15	0D5417	REF.	SCREW HHC M10-1.0 X 25 G10.9
16	049821	3	SCREW SHC M8-1.25 X 30 G12.9
17	022129	4	WASHER LOCK M8-5/16
18	070010	2	SCREW HHC M8-1.25 X 35 SS F-TH
19	0F2776A	1	BRACKET SIGNAL CONDITIONER
20	022097	1	WASHER LOCK M6-1/4
21	048191	2	DOWEL PIN M10 X 24
22	022473	1	WASHER FLAT 1/4 ZINC
23*	029333A	1	TIE WRAP UL 7.4" X .19" BLK (NOT SHOWN)
24	0D9913	18	SCREW SHC M8-1.25 X 35 SS
25	055596	1	BARBED STR 3/8 NPT X 3/8
26	069860E	1	HOSE DRAIN ASSY 28"
27	0D4255	2	GASKET EXHAUST MANIFOLD
28	057772	1	WASHER NYLON .565
29	0D6686	1	ASSEMBLY 6.8L G-BOX FLYWHEEL
30	0F3131	1	HOUSING FLYWHEEL 6.8L FORD MCH
31	0D3805	1	COVER FLYWHEEL MACH 6.8L V-10
32	021113	1	PLATE DAMPNER RETNR
33	077996	1	CAP HOSE (2300 & 3000RPM UNITS ONLY)
34	022131	7	WASHER FLAT 3/8-M10 ZINC
35	048031J	1	HOSE CLAMP BAND 5/8"
36	052647	9	SCREW SHC M10-1.5 X 25 G12.9
37	0D2244M	1	ASSY MAGPICKUP(3/8-24 MALE)
38	0D3808	2	EXH MANIFOLD MACH 6.8L V-10
39	0F5114	1	DECAL REFER TO OWNERS MANUAL
40	0F5454	1	PLATE MAG PICK-UP ADAPTOR
41	079121	2	SCREW SHC M10-1.50 X 100 G10.9
43	057823	2	CLAMP HOSE #10 .56-1.06
44	053660	1	BARBED STR 1/4 NPT X 5/8

* NOTE: I/N 23 IS FOR HOLDING SENSORS TO I/N 19.

GROUP D



EXPLODED VIEW: AIR CLEANER 5.4L/6.8L FORD

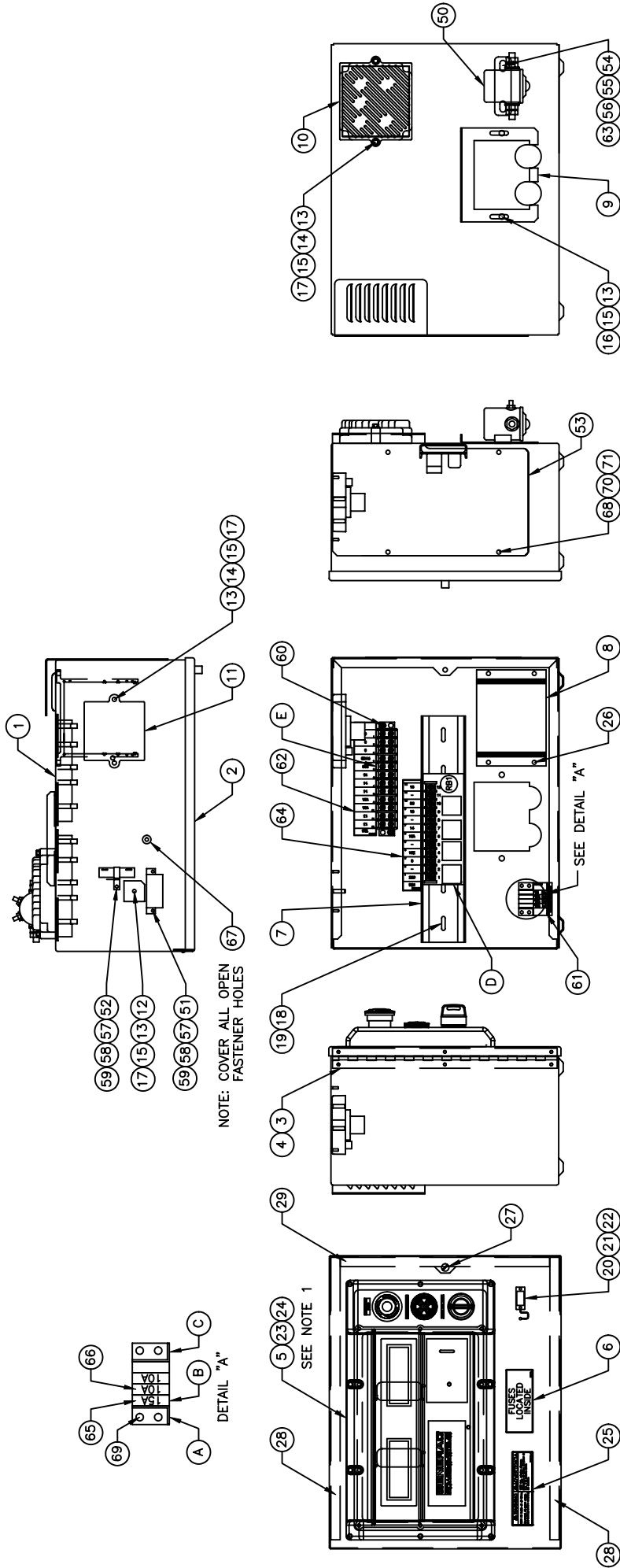
DRAWING #: 0F3569

GROUP D

APPLICABLE TO:

ITEM	PART #	QTY.	DESCRIPTION
1	0D2513D	1	AIR CLNR BTM PLT W/CPLR 8.1L
2	0F5419	1	ELEMENT AIR FILTER
3	0F4268	1	TOP PLATE VENTURI
4	0F4270A	1	HOLD DOWN AIR CLEANER PLATED
5	0F6977	1	PLATE AIR CLEAN TOP 5.4L/6.8L
6	037561	1	NUT WING 1/4-20 NYLK
7	047411	4	SCREW HHC M6-1.0 X 16 G8.8
8	022097	4	WASHER LOCK M6-1/4
9	049811	4	WASHER FLAT M6
10	0F4269	1	GASKET MIXER BODY
11	022473	1	WASHER FLAT 1/4-M6 ZINC

GROUP B



NOTE 1: ITEM 30 ATTACHES TO CONTACT ON REAR OF ITEM 5

EXPLODED VIEW:
H PANEL 2A BATTERY CHARGER
DRAWING #: 0G4139D

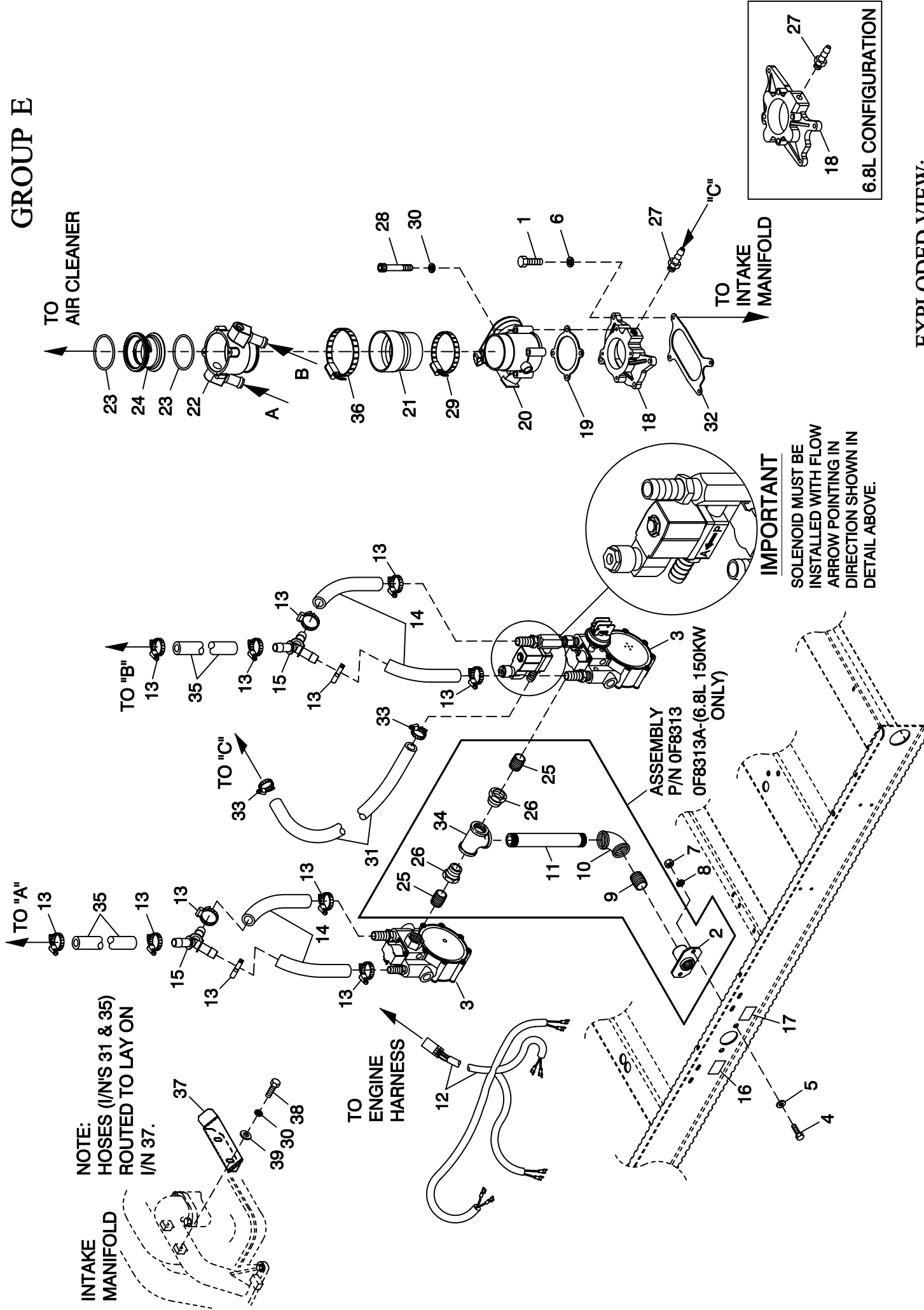
**EXPLODED VIEW: H PANEL 2A BATTERY CHARGER
DRAWING #: 0G4139D**

GROUP B

APPLICABLE TO:

ITEM	PART #	QTY.	DESCRIPTION
COMPONENTS INCLUDED IN 0G4139E			
1	0F1823CST06	1	ENCL H/G CONTROL PANEL
2	0F1824AST06	1	COVER CONTROL PANEL
3	0F2606	1	HINGE CONTINUOUS H PANEL
4	036261	6	RIVET POP .125 X .275 SS
5	0F5763	1	ASSY PROGRAMMED H-100
6	0F1732	1	DECAL FUSES LOCATED INSIDE
7	0E9764	1	RAIL SNAPTRACK PCB HOLDER BULK (12"LG)
8	0F1725C	1	ASSY PCB 2AMP 12V UL BATT CHGR
9	0F1958	1	PLATE HARNESS CLAMP
10	0F2256	1	ASSY PCB PWR AVR W/AMP HEADER
11	0E3161	1	ASSY PCB BOSCH GOV DRIVER
12	029673	1	DIO BRIDGE 25A 600V
13	049226	7	WASHER LOCK M5
14	079224	4	SCREW PPHM M5-0.8 X 30 SS
15	051713	7	WASHER FLAT M5
16	0F5886	2	SCREW HHPM M5-0.8 X 12
17	051716	5	NUT HEX M5-0.8 G8 YEL CHR
18	043180	3	WASHER FLAT M4
19	0C3990	3	SCREW PHTT M4-0.7 X 10 ZYC
20	0F4333	1	CONN DUST CAP W/CHAIN DB9
21	0F5883	1	WASHER FLAT M3.5
22	0F5884	1	SCREW PHTT M3.5-0.6 X 10
23	055014	10	SCREW PPHM M4-0.7 X 8 BLX OX
24	022264	10	WASHER LOCK #8-M4
25	0G3546	1	DECAL WRN BATT CHR 12/24V BI
26	0C2265	4	SCREW PHTT M4-0.7 X 12 ZYC
27	0G3648	1	M5-0.8 CAPTIVE PANEL KNLD HD
28	0F6305	2	SEAL COVER 3.18 X 12.7 X 382
29	0F6305A	1	SEAL COVER 3.18 X 12.7 X 283
30	0G4329	1	HARNESS H-PNL INTEGRATED SW (NOT SHOWN)
COMPONENTS INCLUDED IN WIRE HARNESS			
A	0F1263	1	ADPTR RH SIDE WICKMANN 178.6191
B	0F1262	4	HOLDER FUSE WICKMANN 178.6150
C	0F1264	1	ADPTR LH SIDE WICKMANN 178.6192
D	0E9049B	1	ASSY PCB G-PANEL RELAY 12VDC
E	055911	1	BLOCK TERM 20A 12 X 6 X 1100V
COMPONENTS NOT INCLUDED IN 0G4139E OR WIRE HARNESS			
50	056739	1	RELAY CONTACTOR 12VDC
51	-	1	DPE BREAKER SEE DRAWING 0F9280
52	-	1	BOOST RESISTOR SEE DRAWING 0F9280
53	0F2627A	1	COVER CONTROL PANEL SIDE
54	022287	2	SCREW HHC 1/4-20 X 3/4 G5
55	022473	4	WASHER FLAT M6-1/4
56	022097	2	WASHER LOCK M6-1/4
57	043182	3	WASHER LOCK M3
58	051714	3	NUT HEX M3-0.5 G8 YEL CHR
59	052777	3	WASHER FLAT M3
60	0C2323	2	SCREW PHTT #6-32 X 5/8 ZYC
61	0F5459	1	DECAL CPL CONTROL PANEL FUSES
62	0F5461	1	DECAL CPL 5.4/6.8L TB3
63	022127	2	NUT HEX 1/4-20 STEEL
64	0F5460	1	DECAL CPL 5.4/6.8L RELAY BOARD
65	0E7403C	1	FUSE ATO TYPE 15 AMP (BLUE)
66	0E7403B	2	FUSE ATO TYPE 10 AMP (RED)
67	0F6145	A/R	SEAL WEATHER .45"DIA
68	091526	4	SCREW PPHM M5-0.8 X 12 ZNC
69	0C2699	2	SCREW PHTT #6-32 X 3/8 ZYC
70	051713	4	WASHER FLAT M5
71	049226	4	WASHER LOCK M5

GROUP E



NOTE:
HOSES (I/N'S 31 & 35)
ROUTED TO LAY ON
I/N 37.

EXPLODED VIEW: FUEL NATURAL GAS FORD 6.8L 130KW & 6.8L 150KW

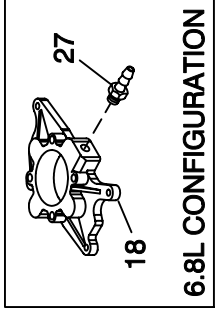
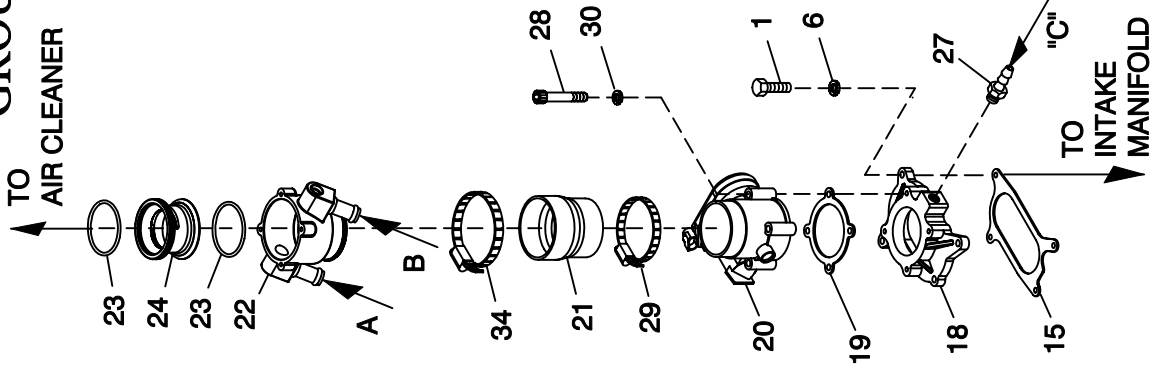
DRAWING #: 0F2996

GROUP E

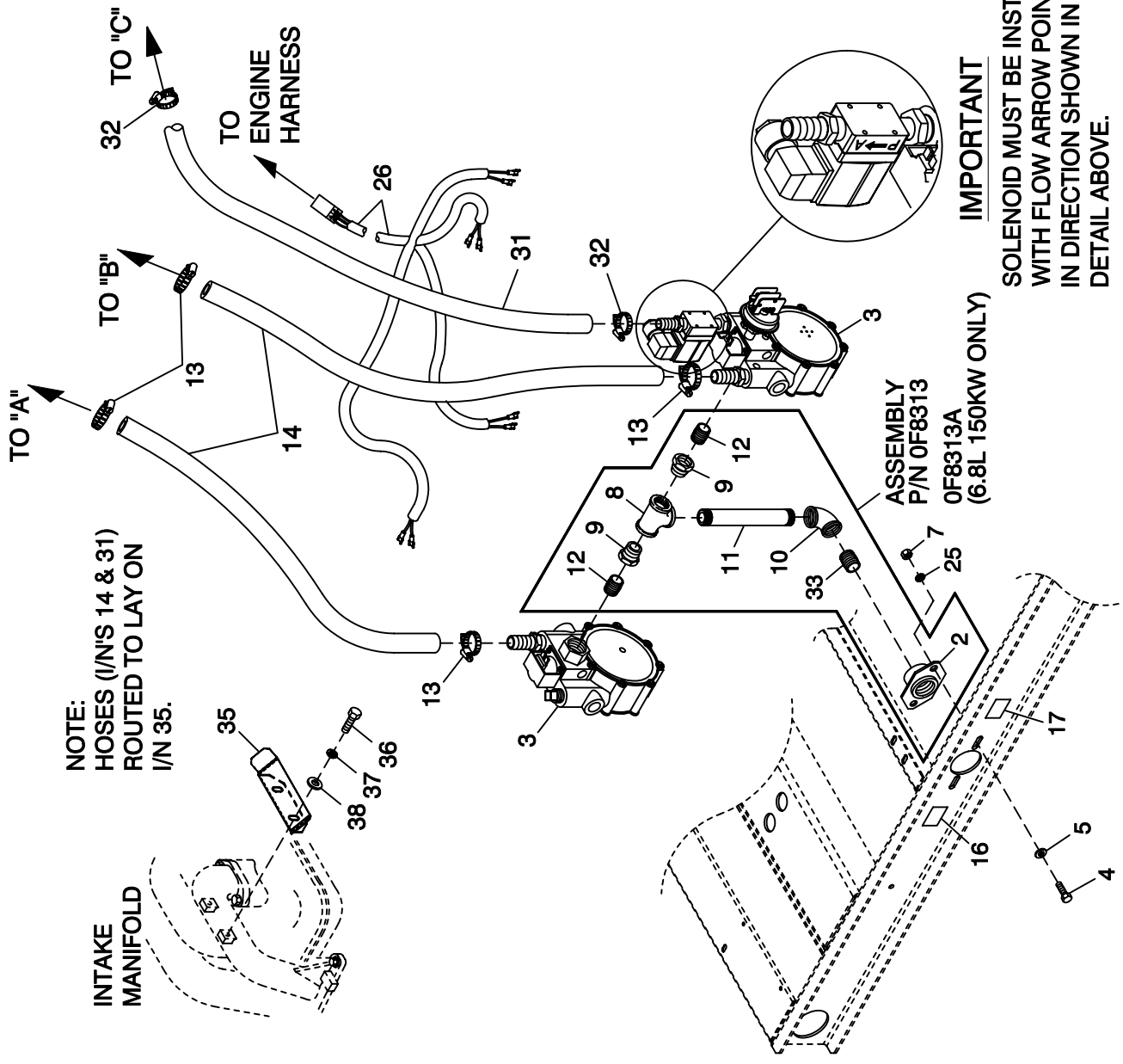
APPLICABLE TO:

ITEM	PART #	QTY.	DESCRIPTION
1	033212	4	SCREW HHC 5/16-18 X 1-1/4 G5
2	065908	1	SUPPORT NAT GAS SOLENOID
3	0F6261A	1	REGULATOR ASSM 6.8L 130KW NG
	0F6261B	1	REGULATOR ASSM 6.8L 150KW NG
4	052617	2	SCREW HHC M12-1.75 X 20 G8.8
5	022304	2	WASHER FLAT 1/2 ZINC
6	022129	4	WASHER LOCK M8-5/16
7	045773	2	NUT HEX M12-1.75 G8 YEL CHR
8	022195	2	WASHER LOCK 1/2
9	039130	1	NIPPLE CLOSE 1.25 NPT X 1.625
10	030131	1	ELBOW 90D 1-1/4 NPT
11	031015	1	NIPPLE PIPE 1-1/4 NPT X 3
	088963	1	NIPPLE PIPE 1.25 NPT X 5.5 BL IRN (150KW ONLY)
12	0F6279	1	HARNES FUEL JUMPER DUAL REG
13	057822	12	CLAMP HOSE #8 .53-1.00
14	059057	4	HOSE 3/4 ID SAE-30R2 (42" LG)
15	0F4408	2	Y CONNECTOR 500 SERIES BARBS
16	0D1509	1	DECAL INLET PRESSURE
17	050279	1	DECAL FUEL INLET NG
18	0D2696B	1	ADAPTOR THROTTLE BODY (BOSCH) (6.8L FORD GEARBOX)
19	0E4390	1	GASKET GOVERNOR ACTUATOR
20	0E4392	1	ACTUATOR BOSCH 60 GOVERNOR
21	0F0960	1	REDUCER 3.0" TO 2.75" TURBO
22	0F3885	1	MIXER 40/60MM ACTUATOR ASSY
23	0G3167	2	O-RING 2-3/4 X 3/32 X 2-15/16
24	0F3691F	1	VENTURI THROTTLE 44MM (6.8L FORD GEARBOX 130KW)
	0F3691J	1	VENTURI THROTTLE 50MM (6.8L FORD 2-POLE 150KW)
25	026915	2	NIPPLE CLOSE 3/4 X 1.375
26	0A8064	2	BSHG RDCR HEX 1-1/4-3/4
27	081017	1	BARBED STR 1/4 NPT X 1/2
28	046580	4	SCREW SHC M6-1.0 X 45 G12.9
29	039294	1	CLAMP HOSE #44 2.31-3.25
30	022097	6	WASHER LOCK M6-1/4
31	052223	1	HOSE 1/2 ID SAE-30R2 FUEL/OIL (42" LG)
32	0D2698	1	GASKET ADAPTER THROT BODY (6.8L FORD ONLY)
33	040173	2	CLAMP HOSE #5.5 .62-.62
34	064346	1	PIPE TEE 1-1/4 NPT
35	059057	2	HOSE 3/4 ID SAE-30R2 (42" LG)
36	066212	1	CLAMP HOSE #52 2.81-3.75
37	0G46350ST03	1	BRACKET, HOSE RISER
38	042568	2	SCREW HHC M6-1.0 X 20 G8.8
39	049811	2	WASHER FLAT M6

GROUP E



EXPLODED VIEW:
FUEL P VAPOR C5 CPL
DRAWING #: 0F6529



EXPLODED VIEW: FUEL LP VAPOR C5 CPL

DRAWING #: 0F6529

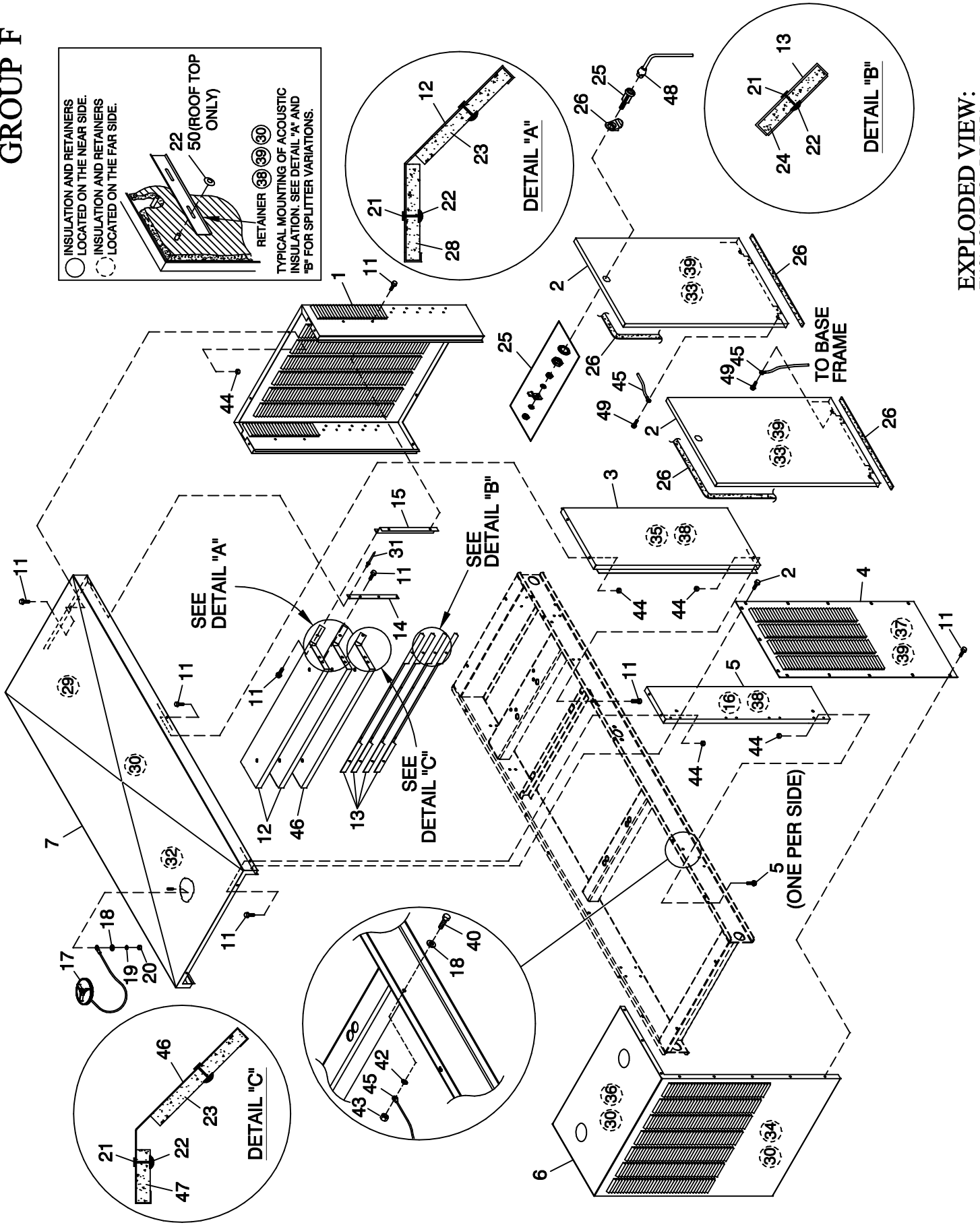
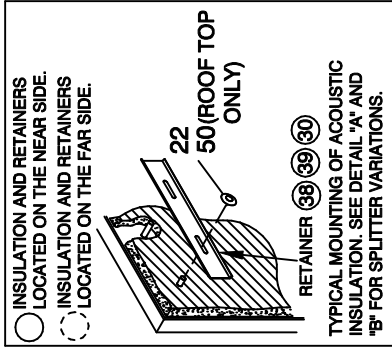
GROUP E

APPLICABLE TO:

ITEM	PART #	QTY.	DESCRIPTION
1	033212	4	SCREW HHC 5/16-18 X 1-1/4 G5
2	065908	1	SUPPORT NAT GAS SOLENOID
3	0F6261H	1	REGULATOR ASSM 5.4L 80KW LPV (5.4L 80KW)
	0F6261J	1	REGULATOR ASSM 5.4L 100KW LPV (5.4L 100KW)
	0F6261K	1	REGULATOR ASSM 6.8L 100KW LPG (6.8L 100KW)
	0F6261L	1	REGULATOR ASSM 6.8L 130KW LPV (6.8L 130KW)
	0F6261M	1	REGULATOR ASSM 6.8L 150KW LPV (6.8L 150KW)
4	052617	2	SCREW HHC M12-1.75 X 20 G8.8
5	022304	2	WASHER FLAT 1/2 ZINC
6	022129	4	WASHER LOCK M8-5/16
7	045773	2	NUT HEX M12-1.75 G8 YEL CHR
8	064346	1	PIPE TEE 1-1/4 NPT
9	0A8064	2	BSHG RDCR HEX 1-1/4-3/4
10	030131	1	ELBOW 90D 1-1/4 NPT
11	031015	1	NIPPLE PIPE 1-1/4 NPT X 3
	088963	1	NIPPLE PIPE 1.25 NPT X 5.5 BL IRN (6.8L 150KW ONLY)
12	026915	2	NIPPLE CLOSE 3/4 X 1.375
13	057823	4	CLAMP HOSE #10 .56-1.06
14	059057	2	HOSE 3/4 ID SAE-30R2 (45" LG)
15	0D2698	1	GASKET ADAPTER THROT BODY
16	0D1509	1	DECAL INLET PRESSURE
17	050280	1	DECAL FUEL INLET LPG (LP VAPOR APPLICATION)
18	0D2696B	1	ADAPTOR THROTTLE BODY (BOSCH) (6.8L)
	0F2756A	1	MACHINING INTAKE ADAPTOR 60MM (5.4L)
19	0E4390	1	GASKET GOVERNOR ACTUATOR
20	0E4392	1	ACTUATOR BOSCH 60 GOVERNOR
21	0F0960	1	REDUCER 3.0" TO 2.75" TURBO
22	0F3885	1	MIXER 40/60MM ACTUATOR ASSY
23	0G3167	2	O-RING 2-3/4 X 3/32 X 2-15/16
24	0F3691B	1	VENTURI THROTTLE 36MM (5.4L 80KW)
	0F3691D	1	VENTURI THROTTLE 40MM (5.4L 100KW)
	0F3691E	1	VENTURI THROTTLE 42MM (6.8L 100KW)
	0F3691F	1	VENTURI THROTTLE 44MM (6.8L 130KW)
	0F3691J	1	VENTURI THROTTLE 50MM (6.8L 150KW)
25	022195	2	WASHER LOCK 1/2
26	0F6279	1	HARNES FUEL JUMPER DUAL REG
27	081017	1	BARBED STR 1/4 NPT X 1/2
28	046580	4	SCREW SHC M6-1.0 X 45 G12.9
29	039294	1	CLAMP HOSE #44 2.31-3.25
30	022097	4	WASHER LOCK M6-1/4
31	047290	1	HOSE 3/8 ID SINGLE BRAID (42" LG)
32	040173	2	CLAMP HOSE #5.5 .62-.62
33	039130	1	NIPPLE CLOSE 1.25 NPT X 1.625
34	066212	1	CLAMP HOSE #52 2.81-3.75
(1) 35	0G46350ST03	1	BRACKET, HOSE RISER
(1) 36	042568	2	SCREW HHC M6-1.0 X 20 G8.8
(1) 37	022097	2	WASHER LOCK M6-1/4
(1) 38	049811	2	WASHER FLAT M6

(1) G6.8L UNITS ONLY

GROUP F



EXPLODED VIEW:
 ENCLOSURE C5 PRT LBL
 DRAWING #: 0G2901

APPLICABLE TO:

ITEM	PART #	QTY.	DESCRIPTION
(2) 1	0F5873	1	REAR WRAP C5
(2) 2	0F5868	4	DOOR C5
(2) 3	0F5872	2	CENTER SUPPORT C5
(2) 4	0F5871	2	DISCHARGE DUCT LH & RH SIDE C5
(2) 5	0F5869	2	FRONT CORNERS C5
(2) 6	0F5870	1	DISCHARGE CENTER DUCT C5
(2) 7	0F5867	1	ROOF C5 ALUM
11	0C2454	86	SCREW THF M6-1 X 16 N WA Z/JS
12	0F2766	2	SPLITTER
13	0F3181	4	SPLITTER SHORT
14	0F3185	2	STRINGER SPLITTER C3
15	0F3416	2	SUPPORT SPLITTER C5 130KW
16	0F3949	2	INSULATION CORNER POST
17	0F4487A	1	ASSEMBLY COVER ACCESS
18	022473	5	WASHER FLAT 1/4-M6 ZINC
19	022097	1	WASHER LOCK M6-1/4
20	022127	1	NUT HEX 1/4-20 STEEL
21	0F3072	20	INSULATION RETAINMENT HANGER
22	078115	58	WASHER SELF LOCKING DOME #4-40
23	0F3949B	3	INSULATION SPLITTER
24	0F3949A	4	INSULATION SHORT LOUVER
25	0F5048D	4	WISE-ACTION LATCH SLOTTED CIR
26	0E5968	1	GASKET EXTRUDED TRIM (566" LG)
27	0F5049	4	TAB PULL
28	0F3949L	2	INSULATION SPLITTER SML
29	0F3949E	1	INSULATION ROOF TOP REAR
30	0F3890A	8	RETAINER INSULATION (740)
31	087233	2	RIVET POP .1875 X .450 SS
32	0F3949C	1	INSULATION ROOF TOP
33	0F3949D	4	INSULATION DOOR
34	0F3949G	1	INSULATION DISCHARGE DUCT
35	0F3949J	2	INSULATION CENTER SUPPORT
36	0F3949K	1	INSULATION DISCHARGE DUCT TOP
37	0F3949F	2	INSULATION INNER DUCT SIDE
38	0F3890B	4	RETAINER INSULATION (820)
39	0F3890	14	RETAINER INSULATION (450)
40	042568	4	SCREW HHC M6-1.0 X 20 G8.8
42	022447	4	WASHER SHAKEPROOF INT 1/4
43	049813	4	NUT HEX M6 X 1.0 G8 YEL CHR
(1) 44	077992	28	NUT HEX LOCK M6-1.0 SS NY INS
45	0912970094	4	ASSY WIRE 14 AWG 34.8" GRN/YEL
46	0F2766A	1	SPLITTER C5
47	0F3949M	1	INSULATION SPLITTER SHRT MPS
48	0F8869D	1	KEY WISE-ACTION LATCH SLOT CIR
49	0E3257	6	SCREW TH-FRM M6 W/CAP SHKPRF W
50	078115A	12	WASHER SELF LOCKING DOME #8-32

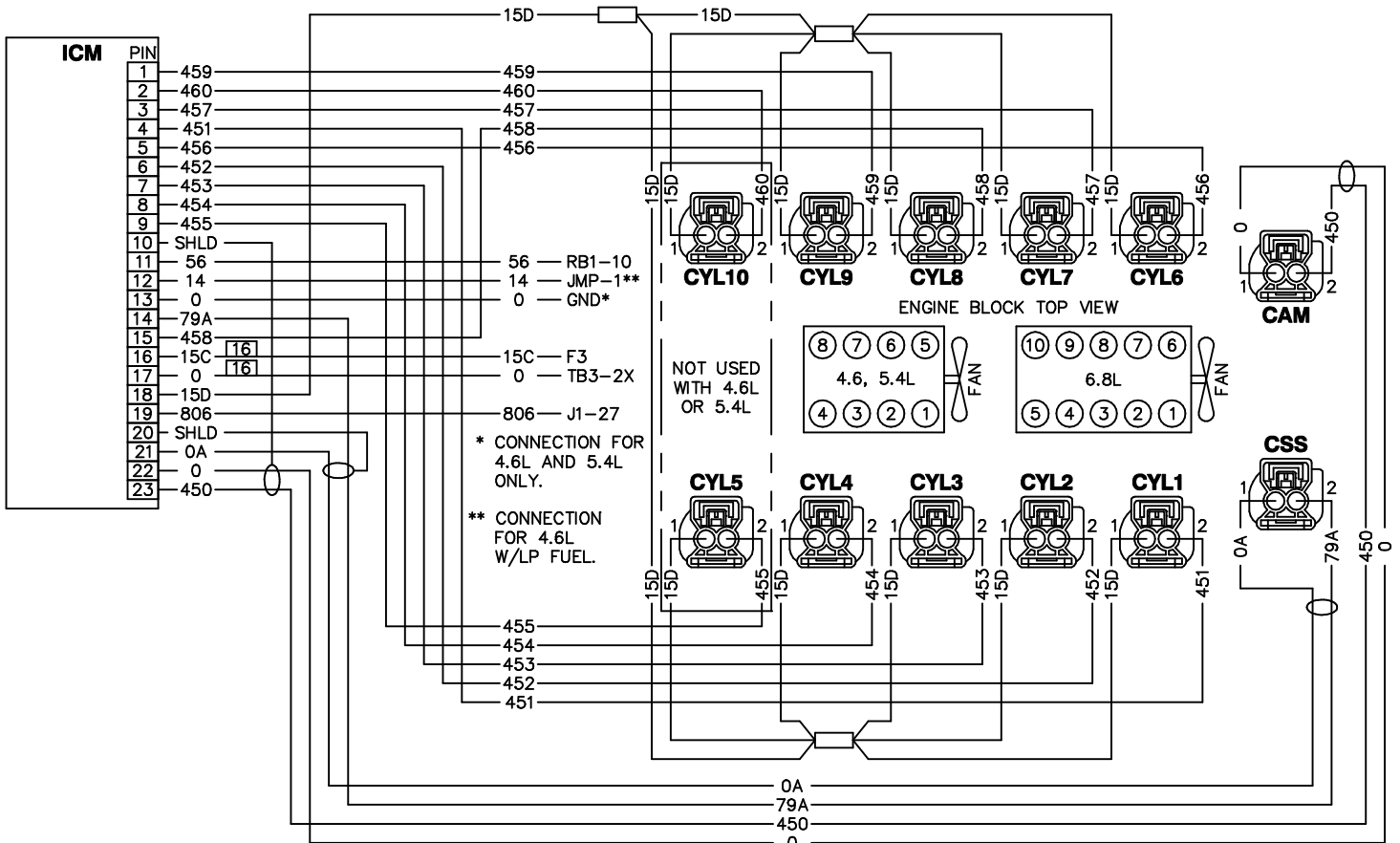
(1) ALUMINUM ENCLOSURE NOTE: ALL ENCLOSURE PANELS THAT FASTEN TO THE BASE FRAME MUST BE SECURED USING ITEM 11 & 49 THREAD FORMING FASTENER AND ITEM 44 LOCK NUT. LOCK NUT IS TO BE INSTALLED AFTER THREAD FORMING FASTENER HAS PENETRATED THROUGH EXTRUSIONS IN ENCLOSURE PANELS. ALL ROOF PANELS ARE TO BE SECURED IN THE SAME MANNER.

(2) I/N'S 1 THRU 7, REFER TO CHART BELOW FOR ENCLOSURE COLOR & MATERIAL TYPE.

SUFFIX 1 (MATL.)	SUFFIX 2 (COLOR)
AL (ALUMINUM)	01 (TAN)
	03 (BLACK)
ST (STEEL)	05 (WHITE)
	07 (G-FORCE)
	08 (TELECOM)
	09 (CRAFTSMAN)
	OR (CUSTOM)

GENERIC EXAMPLE: SUFFIX 1 SUFFIX 2
0F19870AL 01

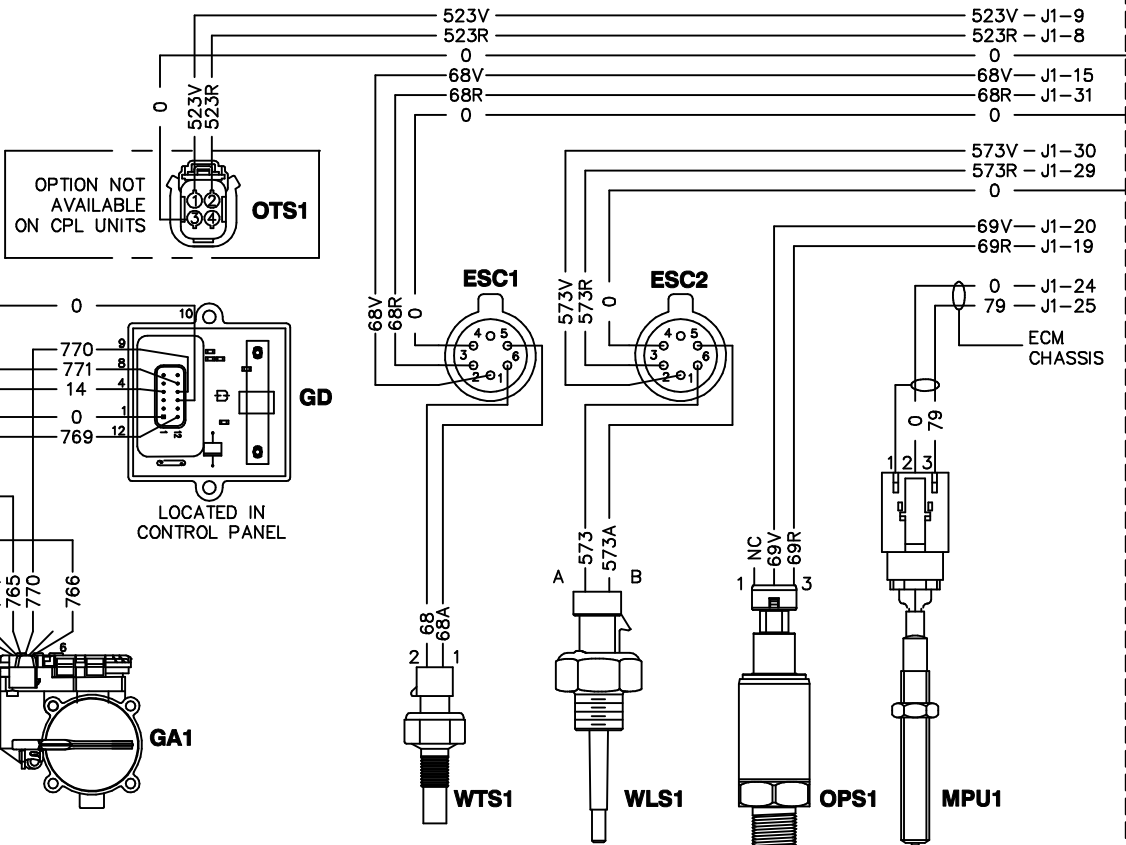
COMPONENTS LOCATED ON ENGINE



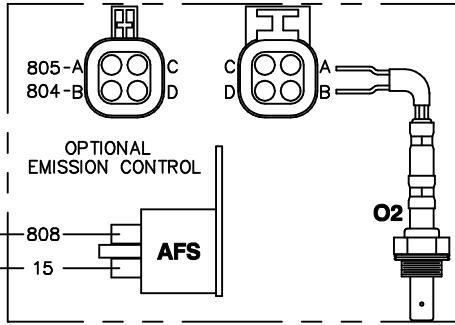
NOTE: ALL WIRES 18 AWG 300V UL LISTED UNLESS SHOWN OTHERWISE

AWG SIZE

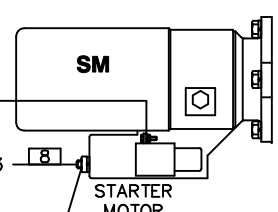
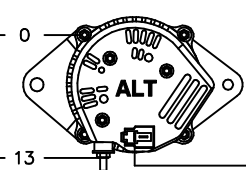
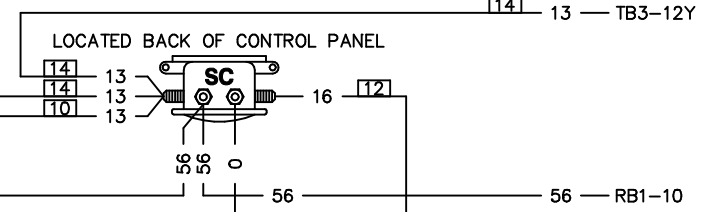
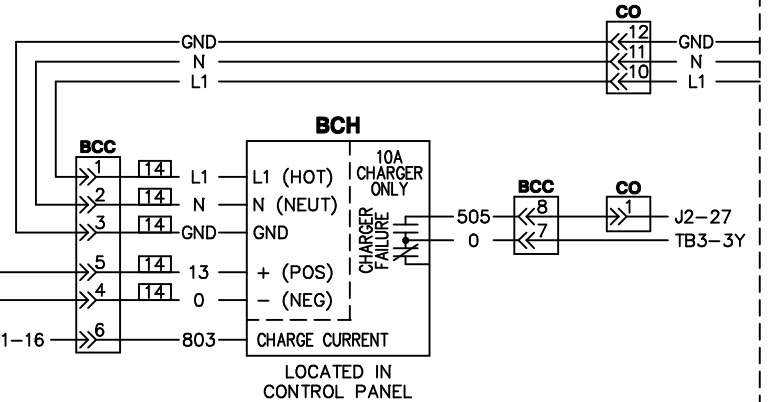
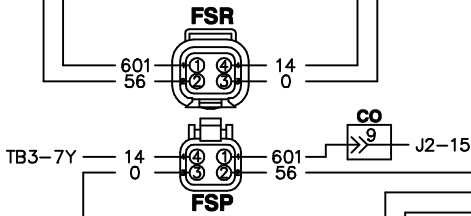
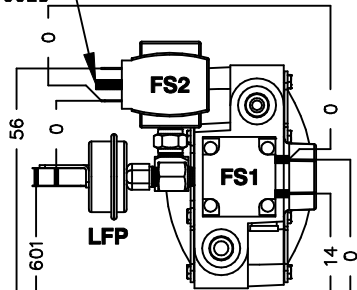
S1, S2 & S3 ARE 600V UL LISTED



COMPONENTS LOCATED ON ENGINE



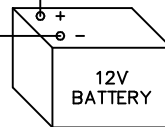
CENTER TERMINAL NOT USED



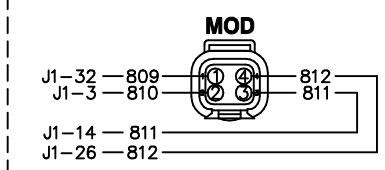
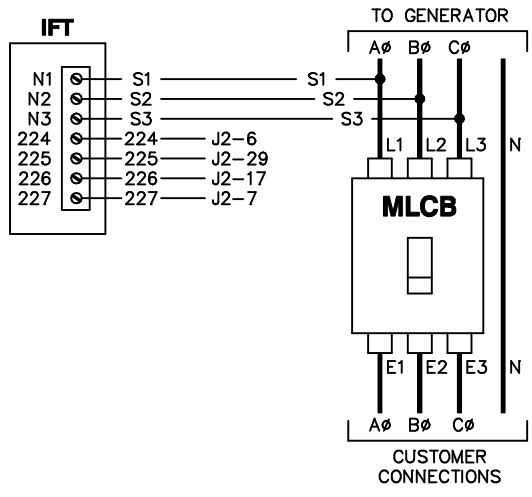
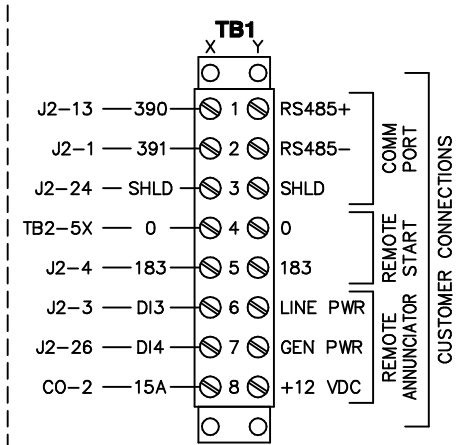
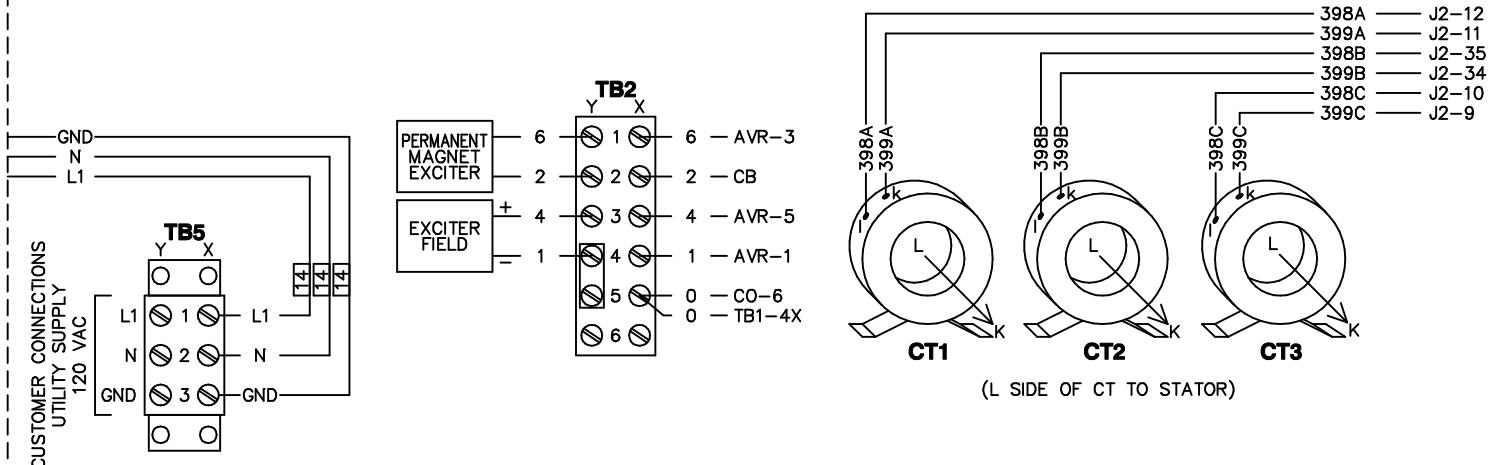
WIRE LOCATIONS MAY CHANGE ON GROUND BAR.

- ESC3-3 0
- TB3-1Y 0
- *CM-13 0

* CONNECTION FOR 4.6L & 5.4L ONLY.

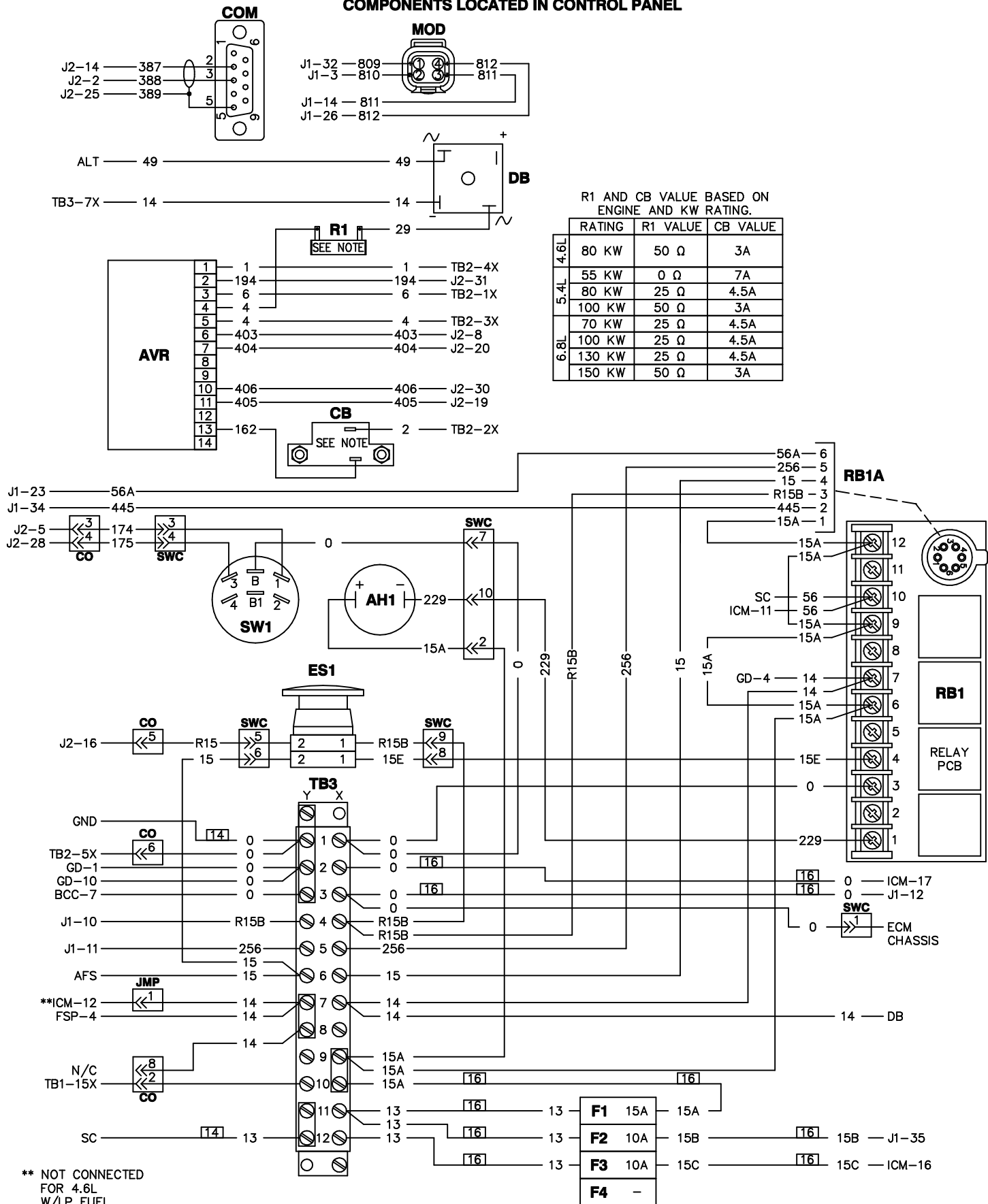


COMPONENTS LOCATED IN ALTERNATOR CONNECTION BOX



LEGEND	
AFS - AIR/FUEL SOLENOID	GD - GOVERNOR DRIVER
AH1 - ALARM HORN	GND - GROUND BAR CONNECTION
ALT - DC CHARGE ALTERNATOR	ICM - IGNITION CONTROL MODULE
AVR - AUTOMATIC VOLTAGE REGULATOR	IFT - INTERFACE TRANSFORMER
BCC - BATTERY CHARGER CONNECTOR	J_ - ELECTRONIC CONTROL MODULE CONNECTIONS
BCH - BATTERY CHARGER	JMP - JUMPER CONNECTION FOR NATURAL GAS
CAM - CAMSHAFT SENSOR	LFP - LOW FUEL PRESSURE SWITCH
CB - CIRCUIT BREAKER, DPE	MLCB - MAIN LINE CIRCUIT BREAKER
CO - CROSSOVER CONNECTOR	MOD - MODEM CONNECTOR
COM - COMMUNICATIONS PORT (9 PIN D-SUB)	MPU1 - MAG. PICK UP
CSS - CRANKSHAFT SENSOR	O2 - OXYGEN SENSOR
CT_ - CURRENT TRANSFORMER	OPS1 - OIL PRESSURE SENDER
CYL_ - CYLINDER IGNITION COIL	OTS1 - OIL TEMP. SENDER
DB - DIODE BRIDGE	R1 - RESISTOR
ECM - ELECTRONIC CONTROL MODULE (H-100)	RB1 - RELAY BOARD
ES1 - EMERGENCY STOP SWITCH	RB1A - RELAY BOARD CONNECTOR
ESC_ - ELECTRONIC SIGNAL CONDITIONER	SC - START CONTACTOR
F_ - FUSE	SM - STARTER MOTOR CONNECTIONS
FS_ - FUEL SOLENOID	SW1 - AUTO/MANUAL SELECT SWITCH
FSP - FUEL SOLENOID PLUG	SWC - OPERATOR SWITCH CONNECTOR
FSR - FUEL SOLENOID RECEPTACLE	TB_ - TERMINAL BLOCKS
GA1 - GOVERNOR ACTUATOR	WLS1 - COOLANT LEVEL SENDER
	WTS1 - COOLANT TEMP. SENDER

COMPONENTS LOCATED IN CONTROL PANEL



** NOT CONNECTED FOR 4.6L W/LP FUEL.

GD CONNECTOR

PIN	WIRE	TO	FUNCTION
1	0	GND	NOTE 1
4	14	RB1-7	NOTE 3
8	771	GA1-1	THROTTLE DRIVE LO
9	770	GA1-4	THROTTLE DRIVE HI
10	0	GND	NOTE 1
12	769	J1-33	THROTTLE PWM

AVR CONNECTOR

PIN	WIRE	TO	FUNCTION
1	1	FIELD	- FIELD
2	194	J2-31	+12VDC
3	6	PME	PME OUTPUT
4	4	R1	+ FIELD
5	4	FIELD	+ FIELD
6	403	J2-8	GATE TRIGGER B
7	404	J2-20	GATE TRIGGER A
10	406	J2-30	ZERO CROSSING I/P
11	405	J2-19	GROUND (ISO)
13	162	CB	PME OUTPUT (AFTER CB)

ICM - IGNITION MODULE CONNECTOR

PIN	WIRE	TO	FUNCTION
1	459	CYL9	IGNITION COIL DRIVE 9
2	460	CYL10	IGNITION COIL DRIVE 10
3	457	CYL7	IGNITION COIL DRIVE 7
4	451	CYL1	IGNITION COIL DRIVE 1
5	456	CYL6	IGNITION COIL DRIVE 6
6	452	CYL2	IGNITION COIL DRIVE 2
7	453	CYL3	IGNITION COIL DRIVE 3
8	454	CYL4	IGNITION COIL DRIVE 4
9	455	CYL5	IGNITION COIL DRIVE 5
10	SHLD	CUT	CAMSHAFT SENSOR DRAIN
11	56	RB1-10	STARTER RELAY OUT
12	14	RB1-7	NOTE 3
13	0	GND	NOTE 1
14	79A	CSS-2	CRANKSHAFT SENSOR +
15	458	CYL8	IGNITION COIL DRIVE 8
16	15C	F3	NOTE 7
17	0	GND	NOTE 1
18	15D	CYL1-CYL10	IGNITION COIL PWR
19	806	J1-27	IGNITION ALARM
20	SHLD	CUT	CRANKSHAFT SENSOR DRAIN
21	0A	CSS-1	CRANKSHAFT SENSOR -
22	0	CAM-1	CAMSHAFT SENSOR -
23	450	CAM-2	CAMSHAFT SENSOR +

ENGINE CONTROL MODULE CONNECTIONS

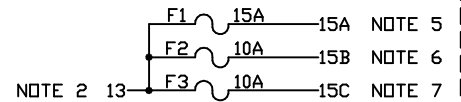
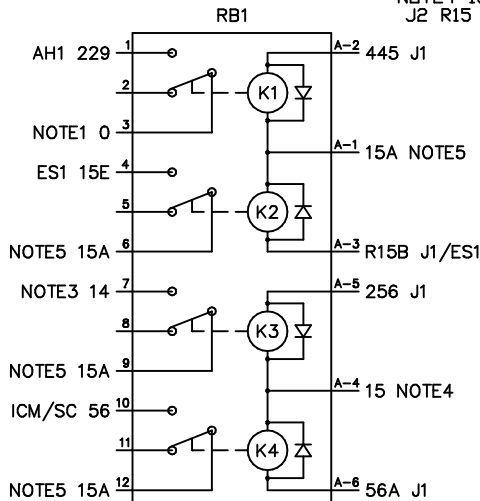
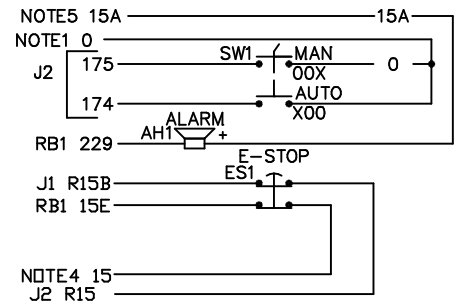
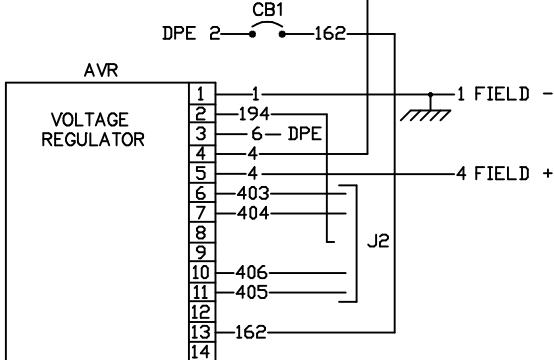
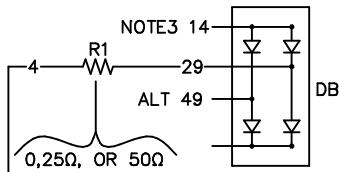
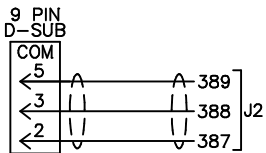
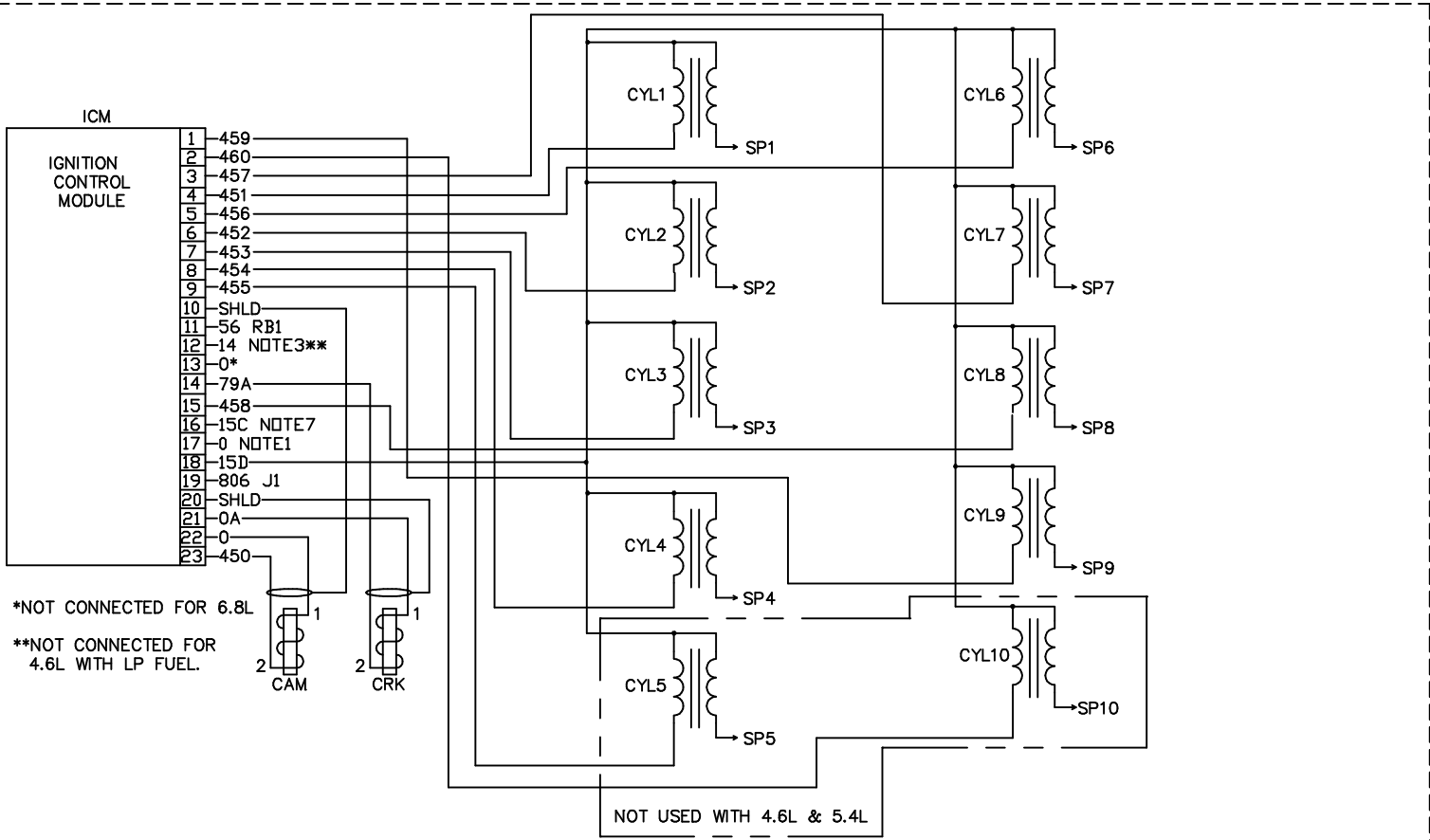
J1

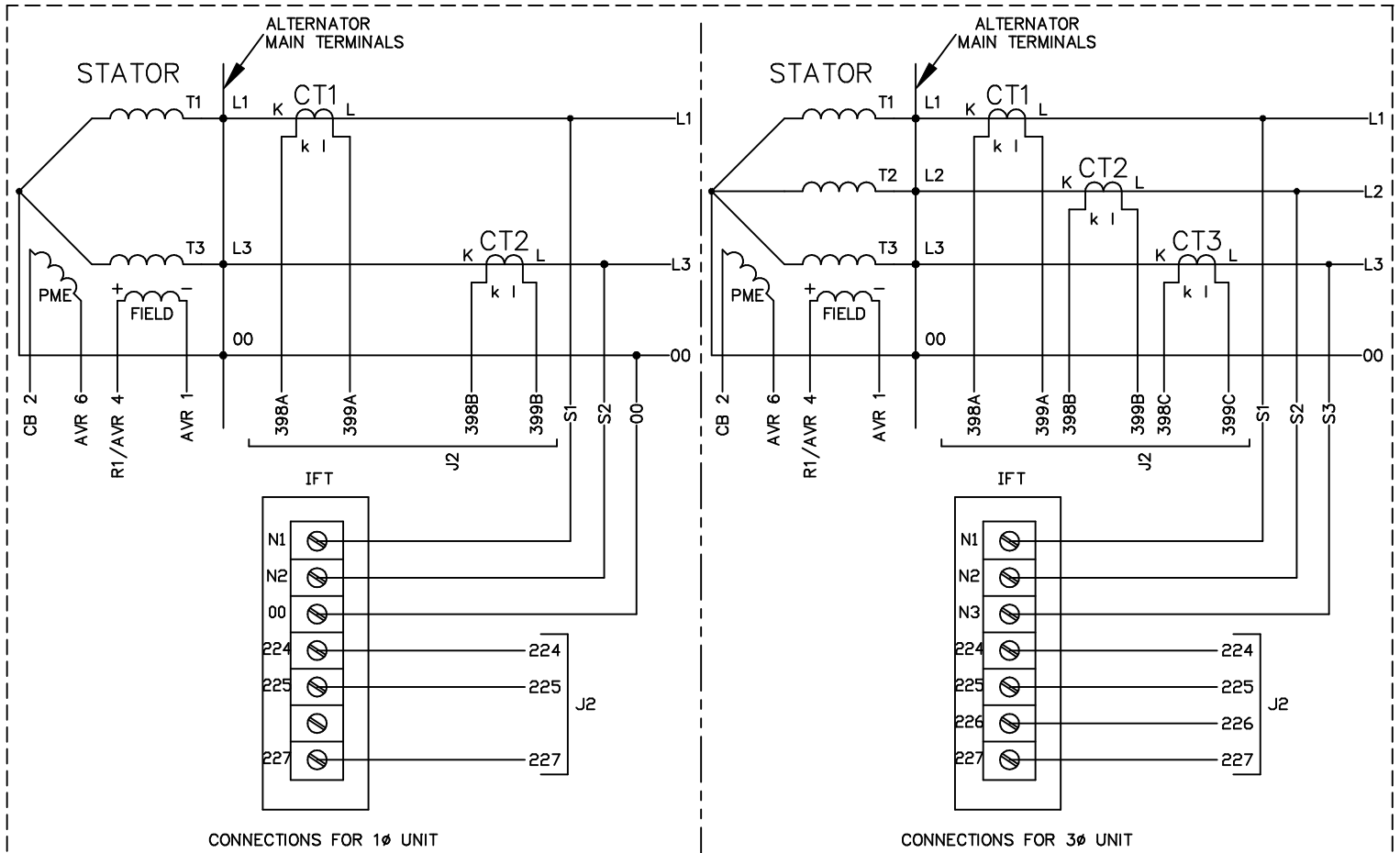
PIN	WIRE	TO	FUNCTION
3	810	MOD-2	EXTERNAL MODEM GROUND
4	805	O2	OXYGEN SENSOR RTN (OPTION)
5	804	O2	OXYGEN SENSOR + (OPTION)
10	R15B	RB1A-3/ES1	OVERSPEED/WATCHDOG
11	256	RB1A-5	FUEL RELAY
12	0	GND	NOTE 1
14	811	MOD-3	DCD
15	68V	WTS-1	COOLANT TEMP +
16	803	BCH	BAT CHARGER CURRENT
17	766R	GA-2	THROTTLE POS RTN
18	766V	GA-1	THROTTLE POS +
19	69R	OPS-3	OIL PRESS RTN
20	69V	OPS-1	OIL PRESS +
21	808	AFS	AIR/FUEL SOLENOID (OPTION)
23	56A	RB1A-6	STARTER RELAY
24	0	MPU1-2	MPU1 SIGNAL (-)
25	79	MPU1-3	MPU1 SIGNAL (+)
26	812	MOD-4	ENABLE
27	806	ICM-19	IGNITION ALARM
29	573R	WLS-2	COOLANT LVL RTN
30	573V	WLS-1	COOLANT LVL +
31	68R	WTS-2	COOLANT TEMP RTN
32	809	MOD-1	+12
33	769	GD-12	THROTTLE PWM
34	445	RB1A-2	ALARM RELAY
35	15B	F2	NOTE 6

J2

PIN	WIRE	TO	FUNCTION
1	391	CUST CON	RS485- (XFER SW)
2	388	COM-3	RS232 TX (GENLINK)
3	DI3	CUST CON	LINE POWER SIGNAL
4	183	CUST CON	REMOTE START
5	174	SW1	"AUTO" START
6	224	IFT	V SENSE GEN A PH
7	227	IFT	V SENSE RTN
8	403	AVR-6	AVR GATE TRIGGER B
* 9	399C	CT3	GEN C PH CURRENT -
* 10	398C	CT3	GEN C PH CURRENT +
11	399A	CT1	GEN A PH CURRENT -
12	398A	CT1	GEN A PH CURRENT +
13	390	CUST CON	RS485+ (XFER SW)
14	387	COM-2	RS232 RX (GENLINK)
15	601	LFP	LOW FUEL PRESSURE
16	R15	ES1	EMERGENCY STOP
* 17	226	IFT	V SENSE GEN C PH
19	405	AVR-11	AVR GROUND
20	404	AVR-7	AVR GATE TRIGGER A
24	SHLD	CUST CON	RS485 DRAIN (XFER SW)
25	389	COM-5	RS232 COM (GENLINK)
26	DI4	CUST CON	GEN POWER SIGNAL
27	505	BCH	BAT CHARGER FAIL
28	175	SW1	"MANUAL" START
29	225	IFT	V SENSE GEN B PH
30	406	AVR-10	AVR ZERO CROSSING I/P
31	194	AVR-2	AVR +12VDC
34	399B	CT2	GEN B PH CURRENT-
35	398B	CT2	GEN B PH CURRENT+

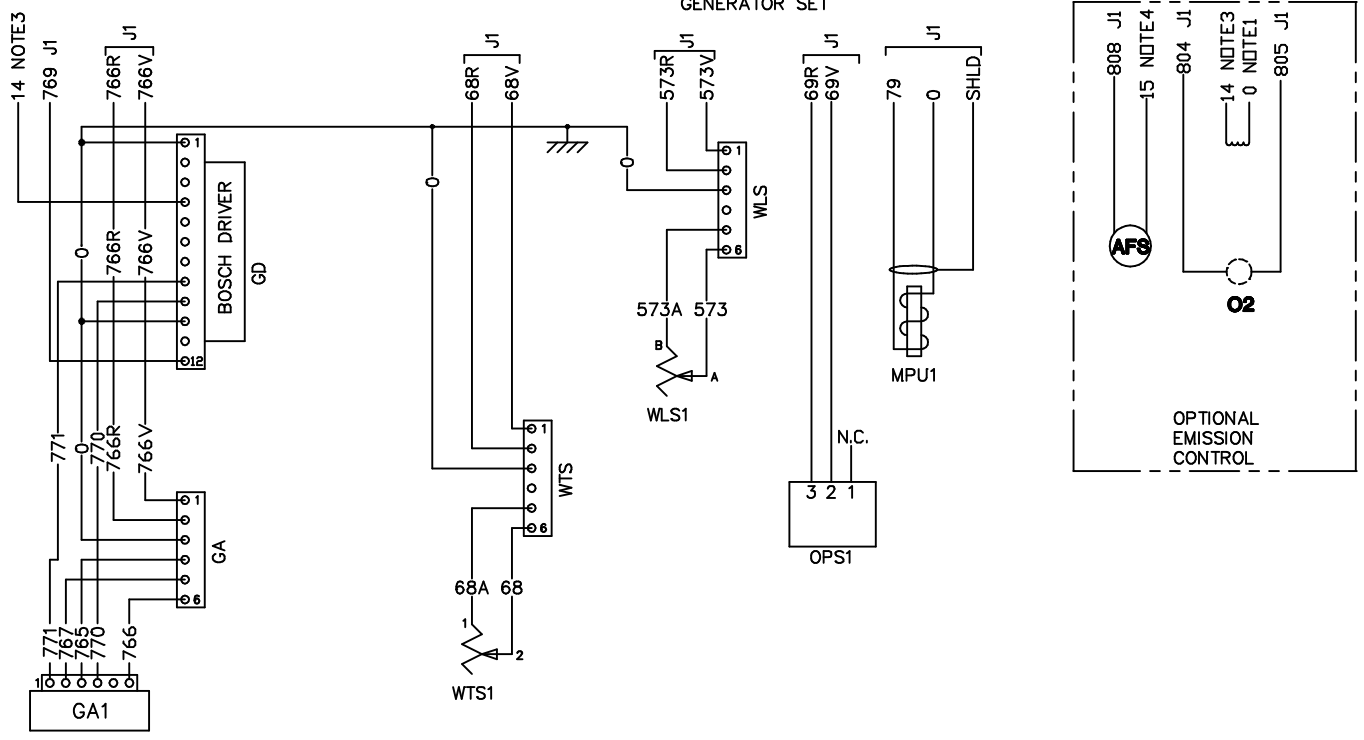
* - CONNECTIONS NOT USED IN 1Ø UNITS.

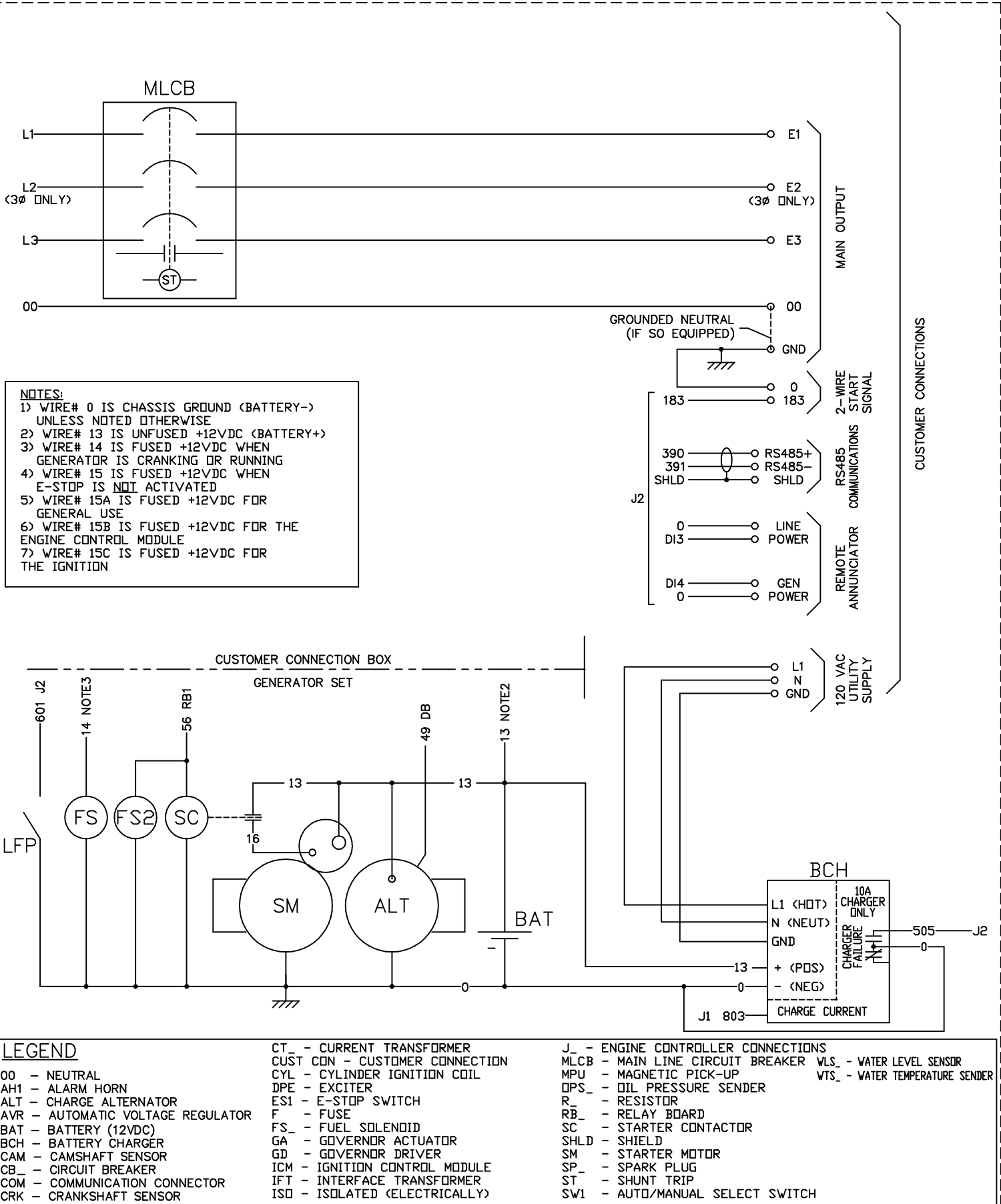




ALTERNATOR CONNECTION BOX

GENERATOR SET

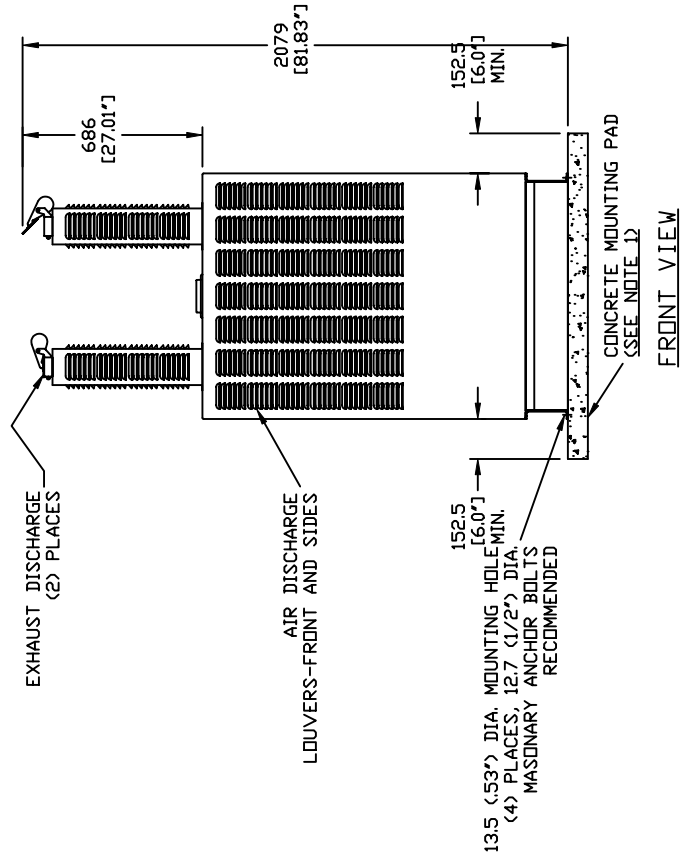




WEIGHT DATA	
5. 4L 80KW	- 1167KG (2573 LB)
5. 4L 100KW	- 1048KG (2311 LB)
6. 8L 100KW	- 1227KG (2705 LB)
6. 8L 130KW	- 1303KG (2873 LB)
6. 8L 150KW	- 1209KG (2666 LB)
WOODEN SHIPPING SKIDS INCREASE OVERALL WEIGHT 79KG (175 LB)	

NOTES:

- 1) MINIMUM RECOMMENDED CONCRETE PAD SIZE: 1240(48.8') WIDE X 3230 (127.2') LONG. REFERENCE INSTALLATION GUIDE SUPPLIED WITH UNIT FOR CONCRETE PAD GUIDELINES.
- 2) ALLOW SUFFICIENT ROOM ON ALL SIDES OF THE GENERATOR FOR MAINTENANCE AND SERVICING. THIS UNIT MUST BE INSTALLED IN ACCORDANCE WITH CURRENT APPLICABLE NFPA 37 AND NFPA 70 STANDARDS AS WELL AS ANY OTHER FEDERAL, STATE AND LOCAL CODES FOR MINIMUM DISTANCES FROM OTHER STRUCTURES.
- 3) CIRCUIT BREAKER INFORMATION:
SEE SPECIFICATION SHEET WITHIN OWNERS MANUAL.
- 4) INSIDE STUB-UP AREA FOR AC LOAD LEAD CONDUIT CONNECTION, NEUTRAL CONNECTION, BATTERY CHARGER 120 VOLT AC (<.5 AMP MAX.) CONNECTION, AND ACCESS TO TRANSFER SWITCH CONTROL WIRES. REMOVE FRONT COVER FOR ACCESS.
- 4A) FIELD CUT HOLE IS ONLY REQUIRED FOR MOUNTING OF GENERATOR ON AN EXISTING PAD.
- 5) REFERENCE OWNERS MANUAL FOR LIFTING WARNINGS.
- 6) REMOVE EITHER LEFT OR RIGHT HAND SIDE PANEL TO ACCESS EXHAUST MUFFLERS AND FAN BELT.



EXPLODED VIEW:
INSTALL CPL 5.4L/6.8L
DRAWING #: 0F6289

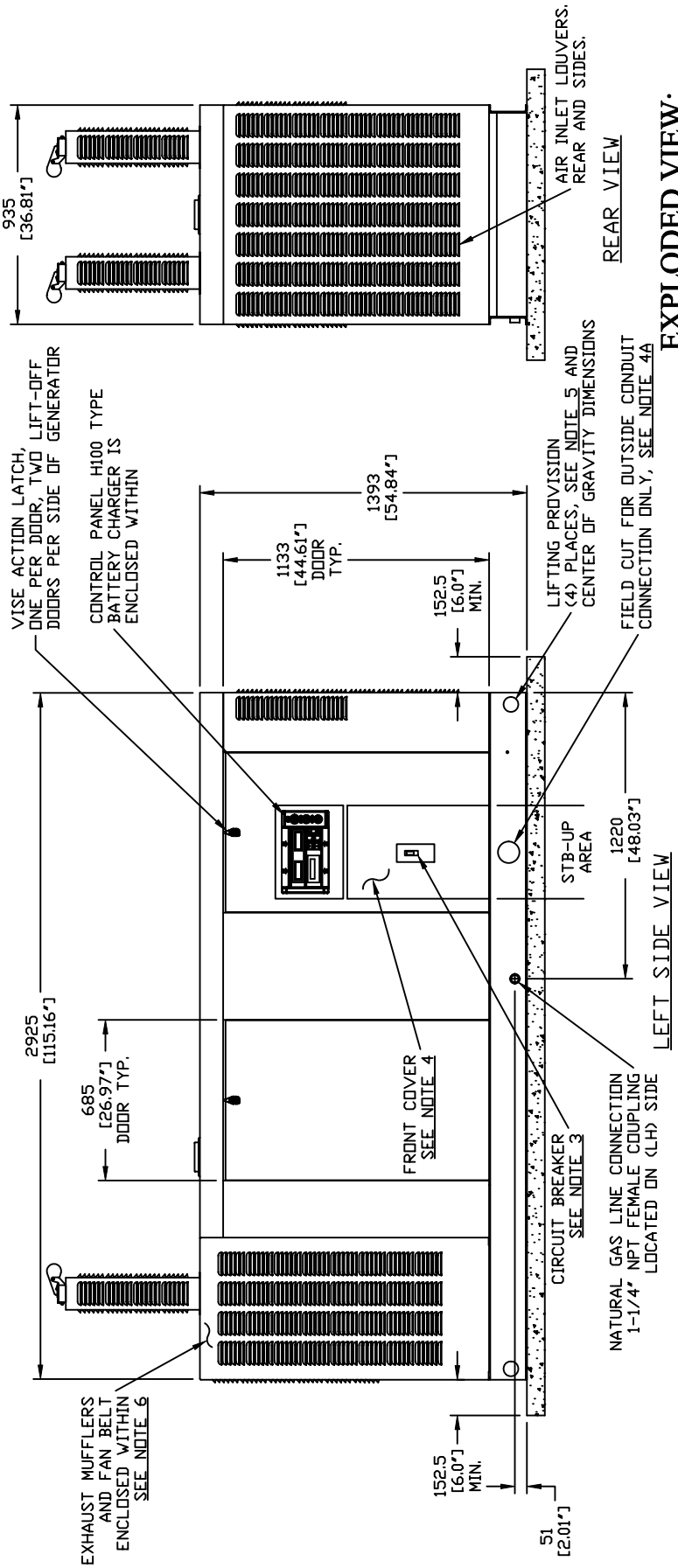
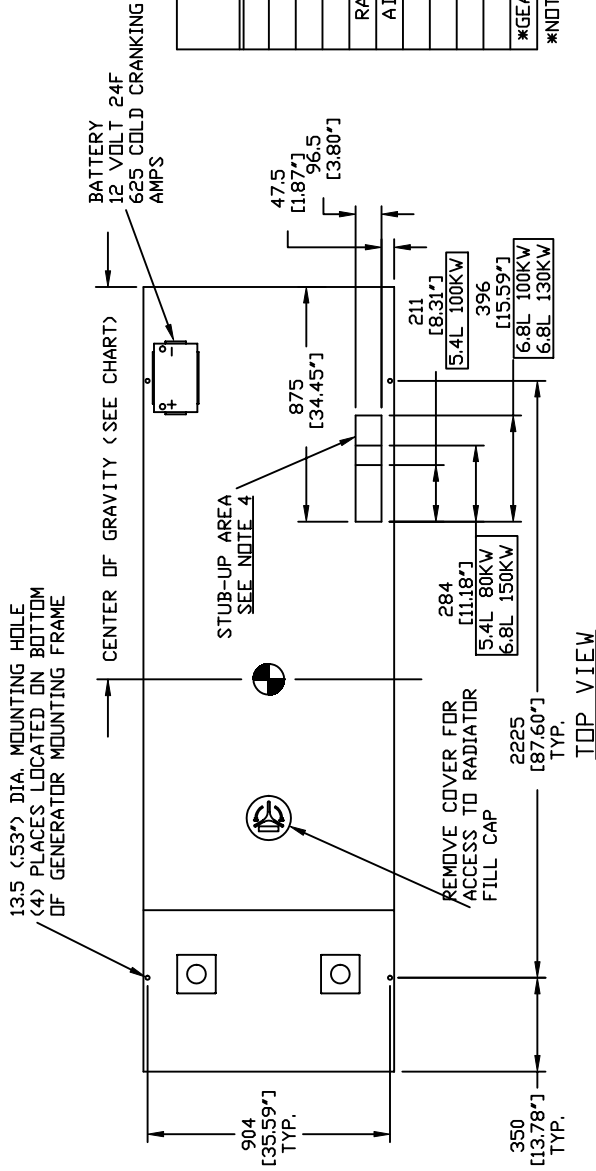
GROUP G

CENTER OF GRAVITY	
1310 (51.6') - 80KW 5.4L	
1405 (55.3') - 100KW 5.4L	
1275 (50.2') - 100KW 6.8L	
1230 (48.4') - 130KW 6.8L	
1315 (51.8') - 150KW 6.8L	

SERVICE ITEM ACCESSIBILITY CHART

SERVICE ITEM	80KW 5.4L	100KW 6.8L	130KW 6.8L	150KW 6.8L
OIL FILL CAP	THRU RIGHT FRONT DOOR	THRU RIGHT FRONT DOOR	THRU RIGHT FRONT DOOR	THRU RIGHT FRONT DOOR
OIL DIP STICK	THRU LEFT FRONT DOOR	THRU LEFT FRONT DOOR	THRU LEFT FRONT DOOR	THRU LEFT FRONT DOOR
OIL FILTER	THRU LEFT FRONT DOOR	THRU LEFT FRONT DOOR	THRU LEFT FRONT DOOR	THRU LEFT FRONT DOOR
OIL DRAIN HOSE	THRU RIGHT FRONT DOOR	THRU RIGHT FRONT DOOR	THRU RIGHT FRONT DOOR	THRU RIGHT FRONT DOOR
RADIATOR DRAIN HOSE	THRU LEFT FRONT DOOR	THRU LEFT FRONT DOOR	THRU LEFT FRONT DOOR	THRU LEFT FRONT DOOR
AIR CLEANER ELEMENT	EITHER FRONT DOORS	EITHER FRONT DOORS	EITHER FRONT DOORS	EITHER FRONT DOORS
SPARK PLUGS	BOTH FRONT DOORS	BOTH FRONT DOORS	BOTH FRONT DOORS	BOTH FRONT DOORS
MUFFLERS	SEE NOTE 6	SEE NOTE 6	SEE NOTE 6	SEE NOTE 6
FAN BELT	SEE NOTE 6	SEE NOTE 6	SEE NOTE 6	SEE NOTE 6
BATTERY	THRU RIGHT REAR DOOR	THRU RIGHT REAR DOOR	THRU RIGHT REAR DOOR	THRU RIGHT REAR DOOR
*GEARBOX FILL & DRAIN	THRU RIGHT REAR DOOR	THRU RIGHT REAR DOOR	THRU RIGHT REAR DOOR	THRU RIGHT REAR DOOR

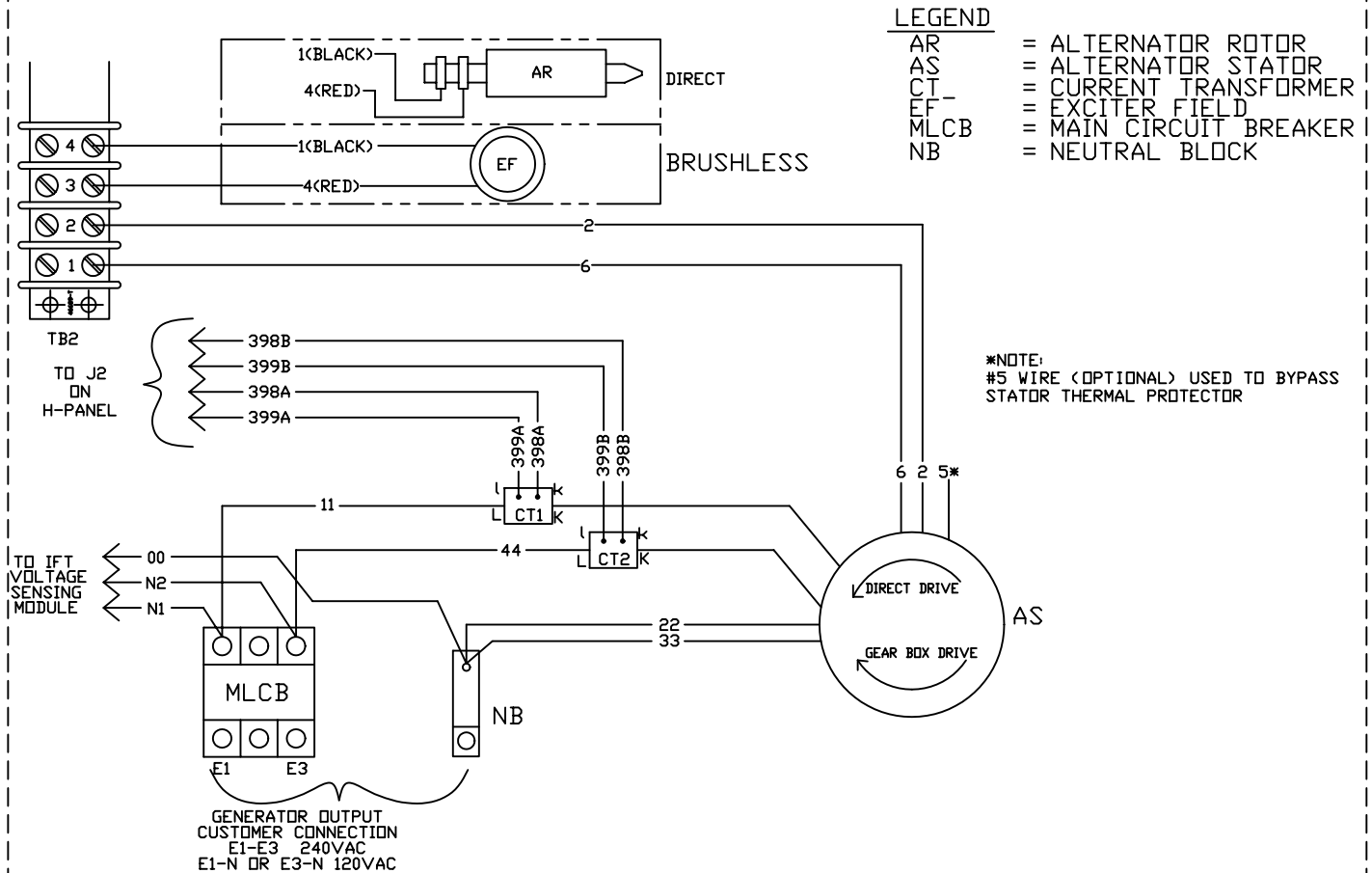
*NOTE: EXCLUDING 5.4L 100KW & 6.8L 150KW UNITS
 REFERENCE OWNERS MANUAL FOR PERIODIC
 REPLACEMENT PART LISTINGS



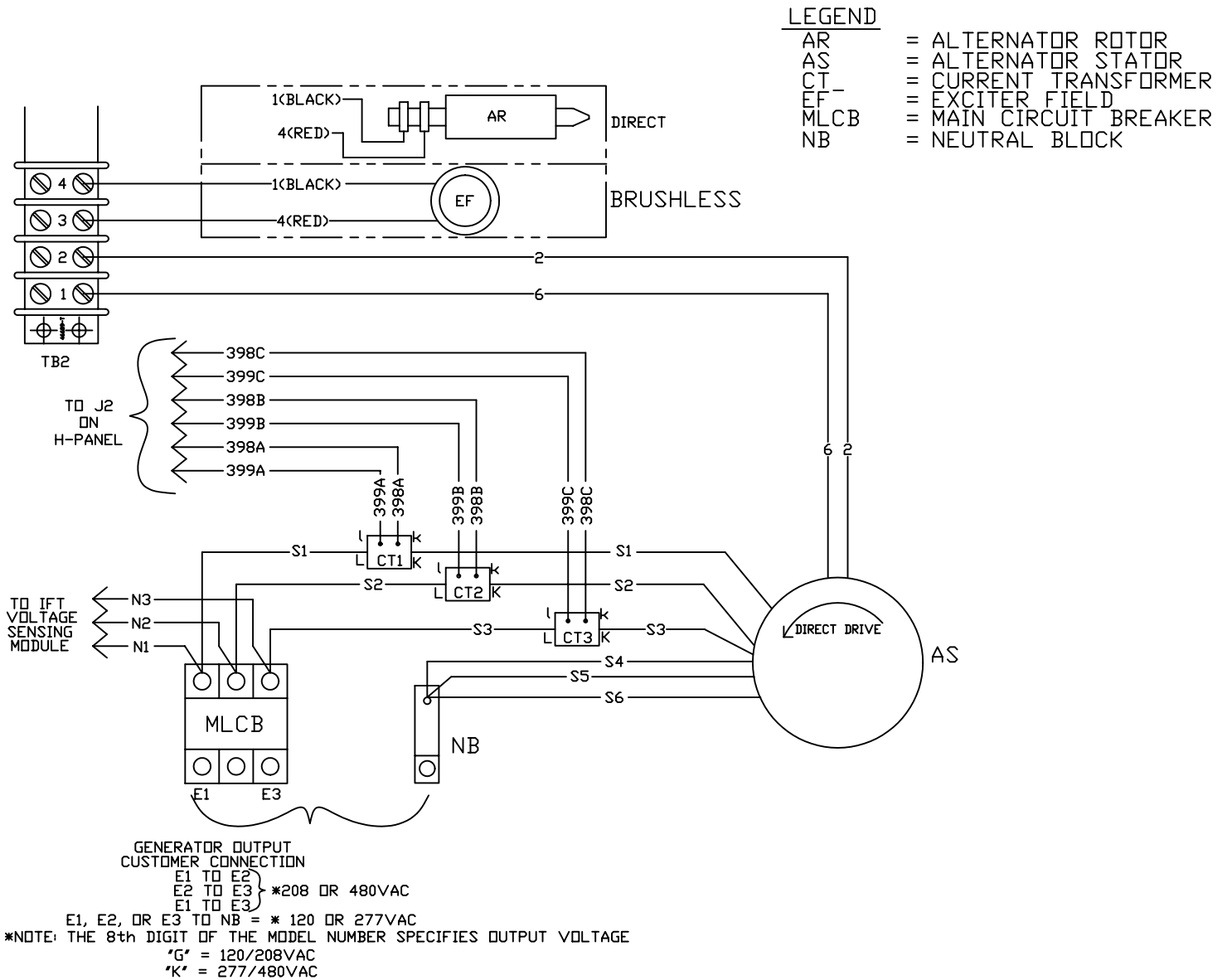
EXPLODED VIEW:
 INSTALL CPL 5.4L/6.8L
 DRAWING #: 0F6289

GROUP G

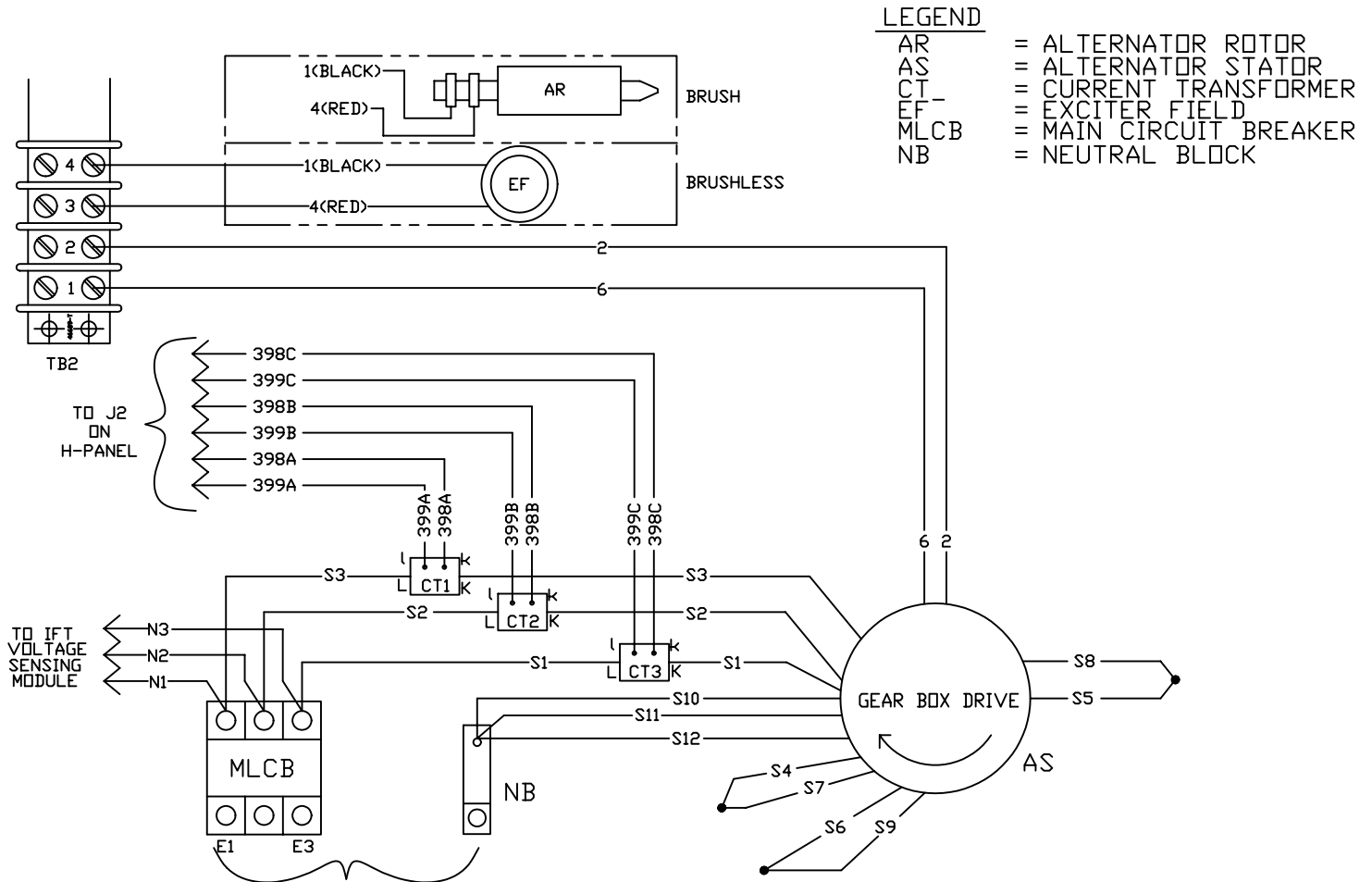
OPTION 1 - SINGLE PHASE, H-100 CONTROL PANEL



OPTION 2 - THREE PHASE, H-100 CONTROL PANEL DIRECT DRIVE, 6 LEAD



OPTION 3 - THREE PHASE, H-100 CONTROL PANEL GEAR BOX (REVERSE ROTATION)



GENERATOR OUTPUT
CUSTOMER CONNECTION

E1 TO E2
E2 TO E3 } *208 OR 480VAC
E1 TO E3

E1, E2, OR E3 TO NB = * 120 OR 277VAC

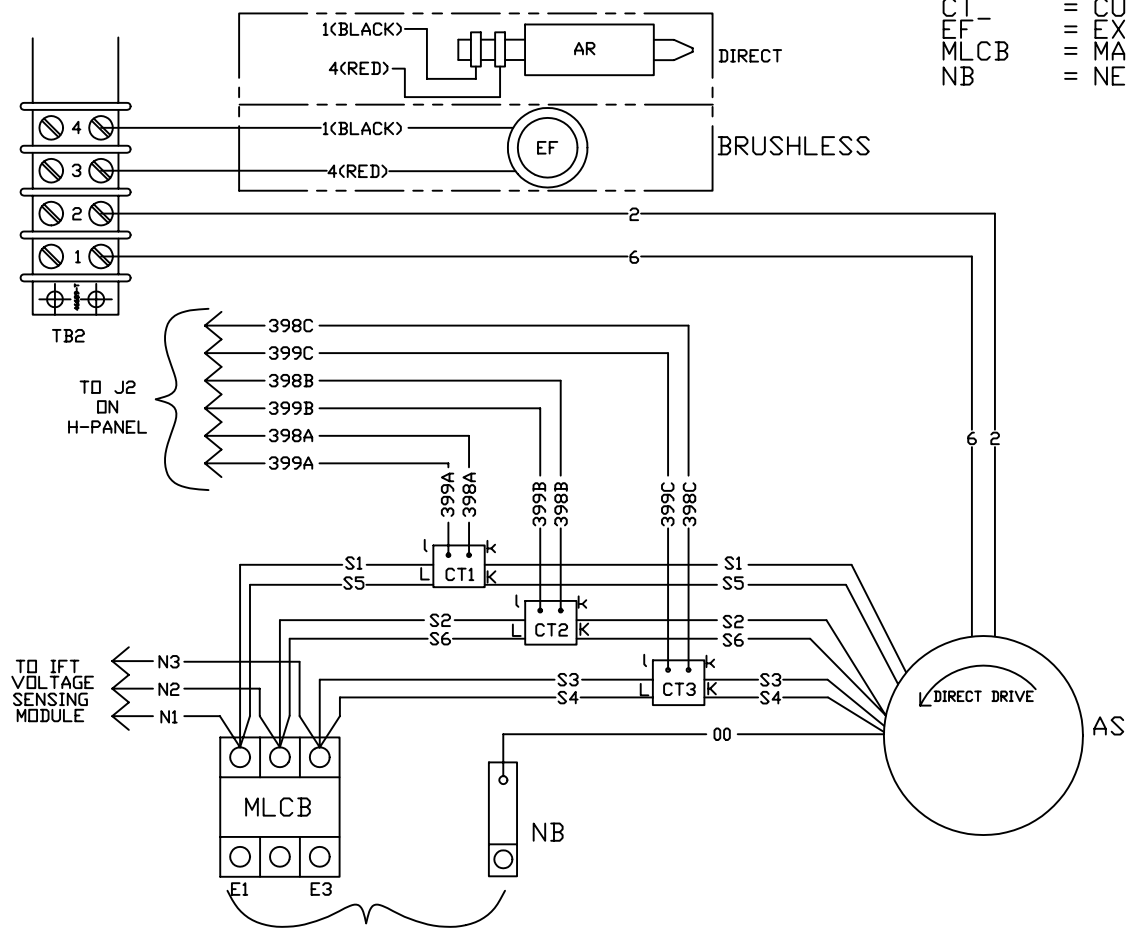
*NOTE: THE 8th DIGIT OF THE MODEL NUMBER SPECIFIES OUTPUT VOLTAGE

G = 120/208VAC
K = 277/480VAC

OPTION 4 - THREE PHASE DELTA, H-100 CONTROL PANEL DIRECT DRIVE, 7 LEAD

LEGEND

- AR = ALTERNATOR ROTOR
- AS = ALTERNATOR STATOR
- CT = CURRENT TRANSFORMER
- EF = EXCITER FIELD
- MLCB = MAIN CIRCUIT BREAKER
- NB = NEUTRAL BLOCK



GENERATOR OUTPUT
CUSTOMER CONNECTION
E1 TO E2 } 240VAC
E2 TO E3 }
E1 TO E3 }

E1-N OR E3-N = 120VAC

*NOTE: THE 8th DIGIT OF THE MODEL NUMBER SPECIFIES OUTPUT VOLTAGE
J = 120/240VAC



Standby Generator Sets Warranty



GENERAC POWER SYSTEMS STANDARD LIMITED WARRANTY FOR COMMERCIAL PRODUCT 50kW AND ABOVE

For a period of two (2) years from the date of sale, or start-up by Authorized/Certified Generac Power Systems Dealer, or branch thereof, Generac Power Systems, Inc. will, at its option, repair or replace any part(s) which, upon examination, inspection, and testing by Generac Power Systems or an Authorized/Certified Generac Power Systems Dealer, or branch thereof, is found to be defective under normal use and service, in accordance with the warranty schedule set forth below. Any equipment that the purchaser/owner claims to be defective must be examined by the nearest Authorized/Certified Generac Power Systems Dealer, or branch thereof. This warranty applies only to Generac Power Systems Generators used in "Standby" applications, as Generac Power Systems, Inc. has defined Standby, provided said generator has been properly installed and inspected on-site by appropriate personnel. Scheduled maintenance, as outlined by the generator owner's manual, is highly recommended. This should be performed by an Authorized/ Certified Generac Power Systems Dealer, or branch thereof. This will verify service has been performed on the unit throughout the warranty period.

WARRANTY SCHEDULE

YEAR ONE — Limited comprehensive coverage on mileage, labor, and parts listed.

- - ALL COMPONENTS

YEAR TWO — Limited comprehensive coverage on parts listed.

- - ALL COMPONENTS

*Start-up and/or On-line Registration, or Registration Card, along with Proof of Purchase, must be performed and/or sent in.

Guidelines:

- Any and all warranty repairs and/or concerns, must be performed and/or addressed by an Authorized/Certified Generac Power Systems Dealer, or branch thereof.
- A Generac Power Systems, Inc. Transfer Switch is highly recommended to be used in conjunction with the genset. If a Non - Generac Power Systems, Inc. Transfer Switch is substituted for use and directly causes damage to the genset, no warranty coverage shall apply.
- All warranty expense allowances are subject to the conditions defined in Generac Power Systems Warranty, Policies, and Procedures Flat Rate Manual.
- Units that have been resold are not covered under the Generac Power Systems Warranty, as this Warranty is not transferable.
- Unit enclosure is only covered against rust or corrosion the first year of the warranty provision.
- Use of Non-Generac replacement part(s) will void the warranty in its entirety.
- Engine coolant heaters (block-heaters), heater controls and circulating pumps are only covered during the first year of the warranty provision (If applicable).

THIS WARRANTY SHALL NOT APPLY TO THE FOLLOWING:

1. Any unit built/manufactured prior to March 1, 2005.
2. Costs of normal maintenance (i.e. tune-ups, associated part(s), adjustments, loose/leaking clamps, installation and start-up).
3. Any failure caused by contaminated fuels, oils, coolants/antifreeze or lack of proper fuels, oils or coolants/antifreeze.
4. Units sold, rated or used for "Prime Power", "Trailer Mounted" or "Rental Unit" applications as Generac Power Systems have defined Prime Power, Trailer Mounted or Rental Unit. Contact a Generac Power Systems Distributor for Prime Power, Trailer Mounted or Rental Unit definition and warranty.
5. Units used for prime power in place of existing utility power where utility is present or in place of utility power where utility power service does not normally exist.
6. Failures caused by any external cause or act of God such as, but not limited to, collision, fire, theft, freezing, vandalism, riot or wars, lightning, earthquake, windstorm, hail, volcanic eruption, water or flood, tornado, hurricane, terrorist acts or nuclear holocaust.
7. Products that are modified or altered in a manner not authorized by Generac Power Systems in writing.
8. Failures due, but not limited to, normal wear and tear, accident, misuse, abuse, negligence, or improper installation or sizing.
9. Any incidental, consequential or indirect damages caused by defects in materials or workmanship, or any delay in repair or replacement of the defective part(s).
10. Failure due to misapplication, misrepresentation, or bi-fuel conversion.
11. Telephone, facsimile, cell phone, satellite, internet, or any other communication expenses.
12. Rental equipment used while warranty repairs are being performed (i.e. rental generators, cranes, etc.).
13. Overtime, holiday, or emergency labor.
14. Planes, ferries, railroad, busses, helicopters, snowmobiles, snow-cats, off-road vehicle or any other mode of transportation deemed abnormal.
15. Any and all expenses incurred investigating performance complaints unless defective Generac materials and/or workmanship were the direct cause of the problem.
16. Starting batteries, fuses, light bulbs, engine fluids, and overnight freight cost for replacement part(s).

THIS WARRANTY IS IN PLACE OF ALL OTHER WARRANTIES, EXPRESSED OR IMPLIED, SPECIFICALLY, GENERAC POWER SYSTEMS MAKES NO OTHER WARRANTIES AS TO THE MERCHANTABILITY OR FITNESS FOR A PARTICULAR PURPOSE. Some states do not allow limitations on how long an implied warranty lasts, so the above limitation may not apply to purchaser/owner.

GENERAC POWER SYSTEMS ONLY LIABILITY SHALL BE THE REPAIR OR REPLACEMENT OF PART(S) AS STATED ABOVE. IN NO EVENT SHALL GENERAC POWER SYSTEMS BE LIABLE FOR ANY INCIDENTAL, OR CONSEQUENTIAL DAMAGES, EVEN IF SUCH DAMAGES ARE A DIRECT RESULT OF GENERAC POWER SYSTEMS, INC. NEGLIGENCE.

Some states do not allow the exclusion or limitation of incidental or consequential damages, so the above limitations may not apply to purchaser/owner. Purchaser/owner agrees to make no claims against Generac Power Systems, Inc. based on negligence. This warranty gives purchaser/owner specific legal rights. Purchaser/owner also may have other rights that vary from state to state

Generac Power Systems, Inc. · P.O. Box 8 · Waukesha, WI 53187
Ph: (262) 544-4811 · Fax: (262) 544-4851

Bulletin 0171370SVE / Printed in U.S.A. 7.05

Printed in U.S.A.