

3.7.3 Connection Cables

Connection cable
for
ASM 400 ↔ SLG
6GT2 491-0A...

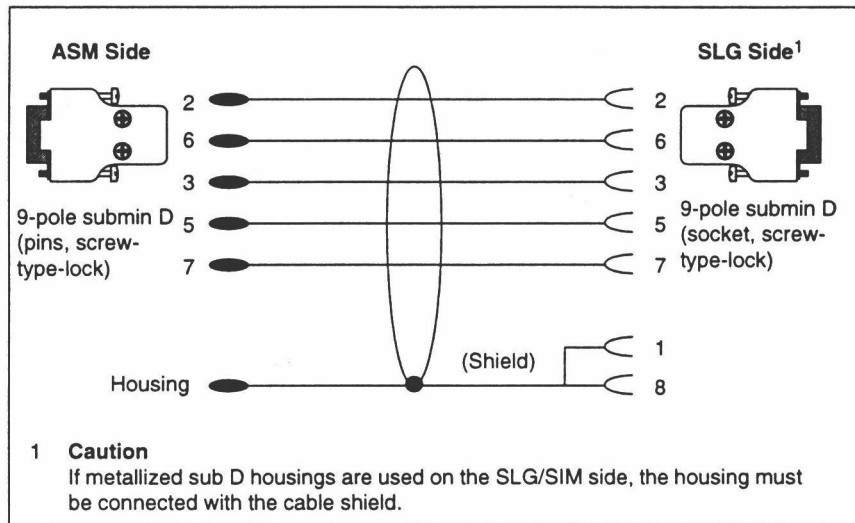


Figure 3-27 Connection cable: ASM 400 ↔ SLG

Connection cable
for
ASM 410 ↔ SLG
6GT2 491-0D...

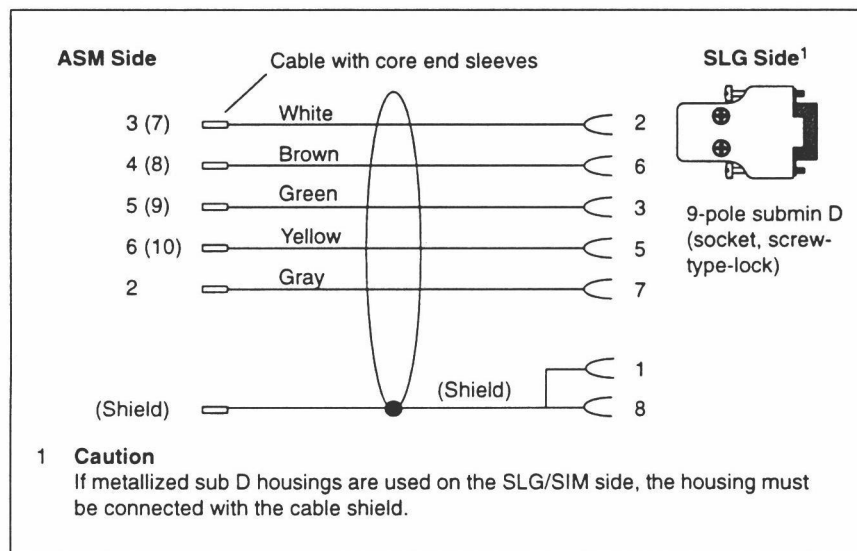


Figure 3-28 Connection cable: ASM 410 ↔ SLG



Caution

Use of a shielded cable for any kind of connection cable is absolutely necessary.
The cable shield must be secured with a shield clamp directly on the interface module and grounded via a grounding rail.

**Connection cable for
ASM 450 ↔ SLG
6GT2 491-1C...**

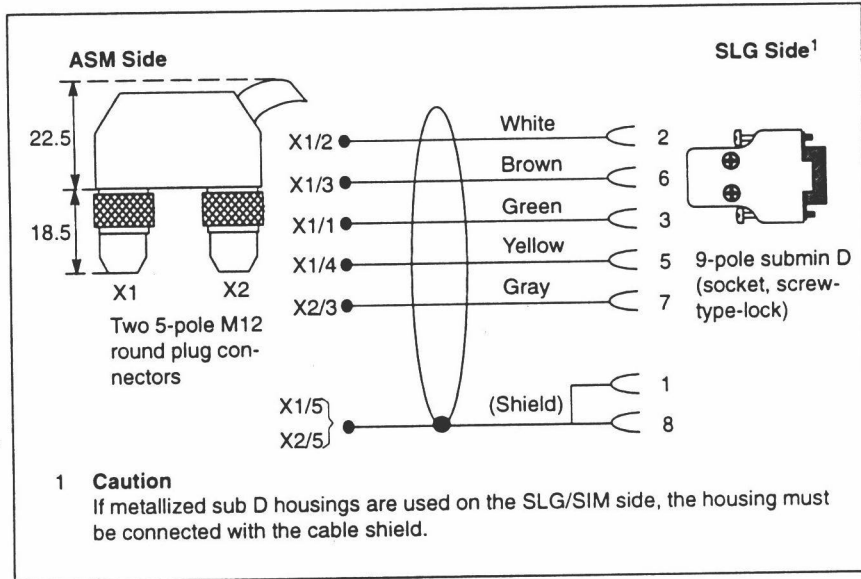


Figure 3-29 Connection cable: ASM 450 ↔ SLG

**Connection cable for
ASM 470 ↔ SLG
6GT2 491-0E...**

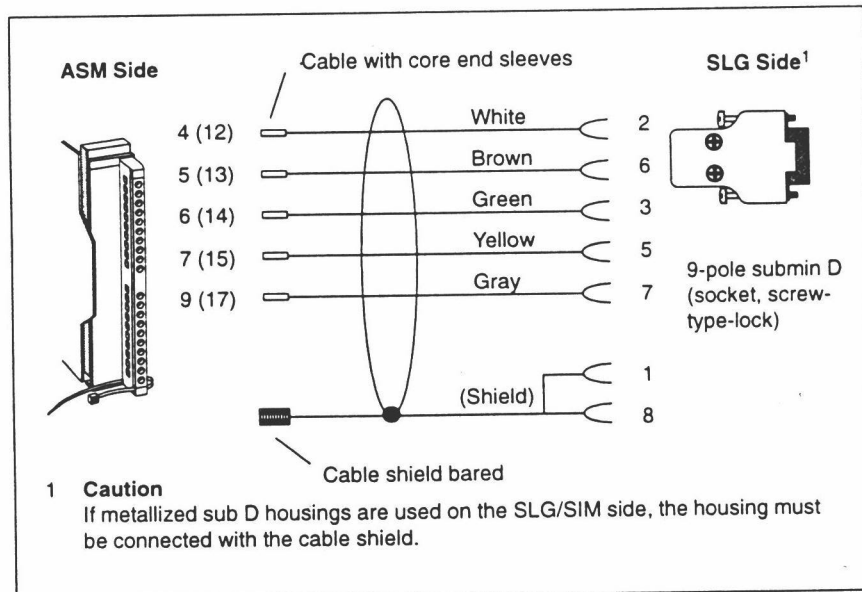


Figure 3-30 Connection cable: ASM 470 ↔ SLG

Note

The SLG voltage supply cannot be connected via the ASM.

Connection cable
RS 232
PC ↔ SIM
6GT2 491-1DH50

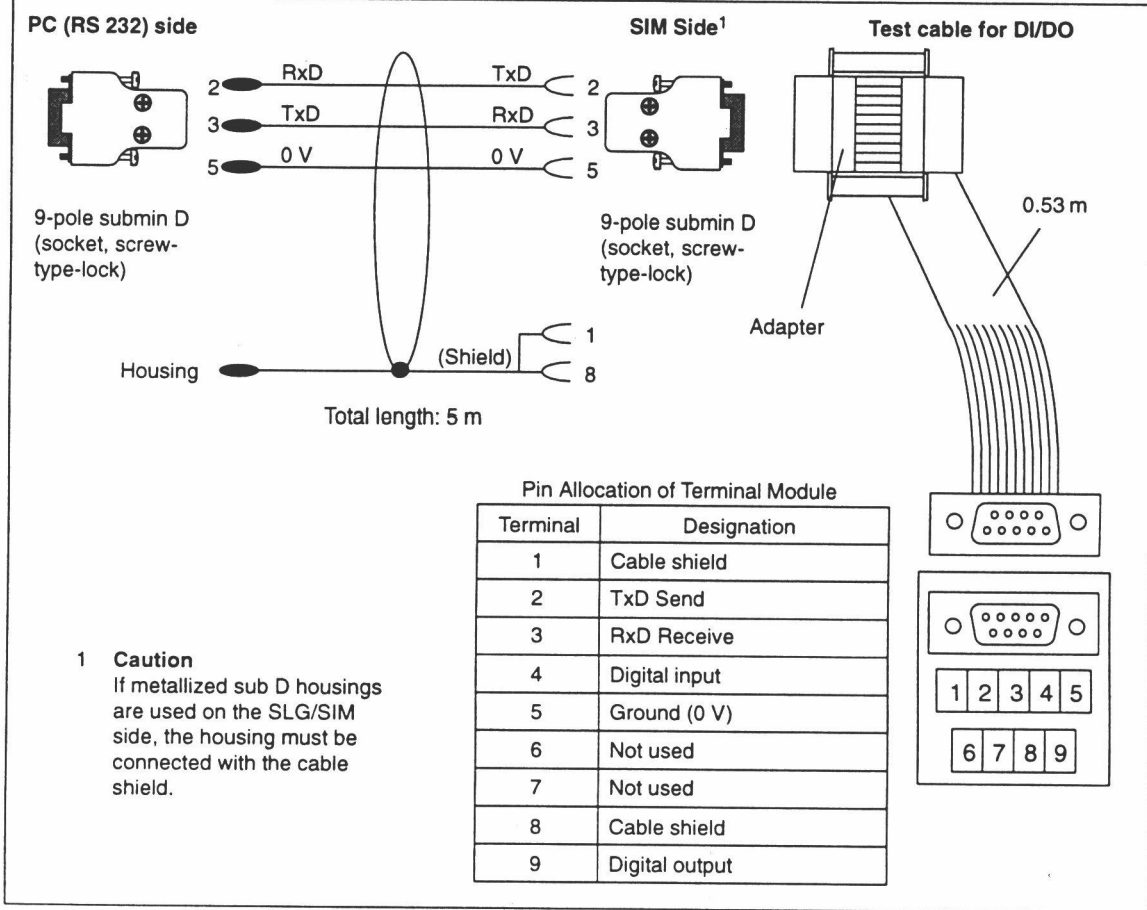


Figure 3-31 Connection cable: PC ↔ SIM