

SIEMENS

SIMATIC NET




SCALANCE W786-xPRO

Operating Instructions

<u>Introduction</u>	1
<u>Description</u>	2
<u>Assembly</u>	3
<u>Connecting up</u>	4
<u>Configuration / project engineering</u>	5
<u>Upkeep and maintenance</u>	6
<u>Technical specifications</u>	7
<u>Appendix</u>	A

Safety Guidelines

This manual contains notices you have to observe in order to ensure your personal safety, as well as to prevent damage to property. The notices referring to your personal safety are highlighted in the manual by a safety alert symbol, notices referring only to property damage have no safety alert symbol. These notices shown below are graded according to the degree of danger.

 DANGER
indicates that death or severe personal injury will result if proper precautions are not taken.
 WARNING
indicates that death or severe personal injury may result if proper precautions are not taken.
 CAUTION
with a safety alert symbol, indicates that minor personal injury can result if proper precautions are not taken.
CAUTION
without a safety alert symbol, indicates that property damage can result if proper precautions are not taken.
NOTICE
indicates that an unintended result or situation can occur if the corresponding information is not taken into account.

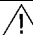
If more than one degree of danger is present, the warning notice representing the highest degree of danger will be used. A notice warning of injury to persons with a safety alert symbol may also include a warning relating to property damage.

Qualified Personnel

The device/system may only be set up and used in conjunction with this documentation. Commissioning and operation of a device/system may only be performed by **qualified personnel**. Within the context of the safety notes in this documentation qualified persons are defined as persons who are authorized to commission, ground and label devices, systems and circuits in accordance with established safety practices and standards.

Prescribed Usage

Note the following:

 WARNING
This device may only be used for the applications described in the catalog or the technical description and only in connection with devices or components from other manufacturers which have been approved or recommended by Siemens. Correct, reliable operation of the product requires proper transport, storage, positioning and assembly as well as careful operation and maintenance.

Trademarks

All names identified by ® are registered trademarks of the Siemens AG. The remaining trademarks in this publication may be trademarks whose use by third parties for their own purposes could violate the rights of the owner.

Disclaimer of Liability

We have reviewed the contents of this publication to ensure consistency with the hardware and software described. Since variance cannot be precluded entirely, we cannot guarantee full consistency. However, the information in this publication is reviewed regularly and any necessary corrections are included in subsequent editions.

Table of contents

1	Introduction	9
1.1	Information on the Operating Instructions SCALANCE W786-xPRO.....	9
1.2	Type designations.....	11
2	Description	13
2.1	Network structures.....	13
2.2	Scope of delivery.....	19
2.3	Product properties.....	20
2.4	LED display.....	23
2.5	C-PLUG.....	26
2.6	Reset button.....	27
2.7	Biological compatibility.....	28
3	Assembly	29
3.1	Removing / fitting the housing cover.....	29
3.2	Connecting up cables.....	31
3.3	Mounting without an adapter (wall mounting only).....	34
3.4	Mounting with mounting plate.....	37
3.4.1	Fitting the mounting plate to a wall.....	37
3.4.2	Screwing the cover plate for the cable feedthrough to the mounting plate.....	38
3.4.3	Fitting the mounting plate to an S7-300 standard rail.....	40
3.4.4	Fitting the mounting plate to a DIN rail.....	41
3.4.5	Fitting the mounting plate to a mast.....	42
3.4.6	Fitting/removing the SCALANCE W786 to/from a mounting plate.....	43
4	Connecting up	45
4.1	Lightning protection, power supply, and grounding.....	45
4.2	Suitable cables and antennas for the SCALANCE W786.....	47
4.3	Connecting the cables.....	49
4.4	Connectors for the power supply of the SCALANCE W786.....	53
4.5	Connecting a power supply adapter.....	55
4.6	Connection for Industrial Ethernet.....	58
4.7	Connectors for external antennas.....	59
4.8	Inserting / removing the C-PLUG.....	60
5	Configuration / project engineering	61
5.1	Technical basics.....	61
5.1.1	Spanning Tree.....	61

5.1.2	iQoS	62
5.1.3	Forced Roaming on IP Down	62
5.1.4	Link Check	62
5.1.5	Redundancy	62
5.1.6	IP-Alive	63
5.1.7	MAC-based communication	63
5.1.8	IP-based communication	64
5.2	Assignment of an IP address	65
5.2.1	Structure of an IP address	65
5.2.2	Initial assignment of an IP address	66
5.2.3	Address assignment with DHCP	66
5.2.4	Address assignment with the Primary Setup Tool	67
5.3	The wizards of Web Based Management	68
5.3.1	Introduction	68
5.3.2	Starting Web Based Management and logging on	68
5.3.3	Selecting the wizards	70
5.4	Basic Wizard	72
5.4.1	IP settings	72
5.4.2	System name	73
5.4.3	Country code	74
5.4.4	Wireless settings in access point mode	75
5.4.5	Wireless settings in client mode	76
5.4.6	Adopt MAC Address settings (only for clients or access points in client mode)	76
5.4.7	Channel settings (in access point mode only)	79
5.4.8	Closing the Basic Wizard	81
5.5	Security Wizard	82
5.5.1	Introduction	82
5.5.2	Security settings	82
5.5.3	Security settings for the management interfaces	83
5.5.4	Security settings for the SNMP protocol	84
5.5.5	Security settings for WLAN (page 1, only in access point mode)	85
5.5.6	Security settings for WLAN (page 2)	88
5.5.7	Settings for the Low security level	91
5.5.8	Settings for the Medium security level	92
5.5.9	Settings for the High security level in access point mode	93
5.5.10	Settings for the High security level in "Client" mode	94
5.5.11	Overview of the selected security settings for an access point	95
5.5.12	Exiting the Security Wizard	96
5.6	Configuration with Web Based Management	97
5.6.1	General information on Web Based Management	97
5.6.2	The LED simulation of Web Based Management	98
5.6.3	The System menu	98
5.6.3.1	System Information menu command	98
5.6.3.2	IP Settings menu command	100
5.6.3.3	Services menu command	100
5.6.3.4	Restart menu command	101
5.6.3.5	Event Config menu command	102
5.6.3.6	E-mail Config menu command	103
5.6.3.7	SNMP Config menu command	103
5.6.3.8	SSyslog menu command	104
5.6.3.9	SNTP Config menu command	106
5.6.3.10	Fault State menu command	106
5.6.3.11	Load & Save menu command	106

5.6.3.12	C-PLUG menu command.....	108
5.6.4	The Interfaces menu	112
5.6.4.1	Interfaces menu command	112
5.6.4.2	Ethernet menu command.....	113
5.6.4.3	WLAN menu command.....	113
5.6.4.4	Advanced menu command	116
5.6.4.5	SSID List menu command	120
5.6.4.6	Advanced G menu command	120
5.6.4.7	Data Rates menu command	121
5.6.4.8	VAP menu command.....	122
5.6.5	The Security menu.....	123
5.6.5.1	Security menu command	123
5.6.5.2	Basic Wireless menu command.....	123
5.6.5.3	Keys menu command	128
5.6.5.4	ACL menu command	128
5.6.5.5	RADIUS Server menu command	130
5.6.5.6	Access menu command.....	131
5.6.6	The Bridge menu	131
5.6.6.1	Bridge menu command.....	131
5.6.6.2	WDS menu command.....	132
5.6.6.3	VLAN menu command.....	134
5.6.6.4	Learning Table menu command	140
5.6.6.5	ARP Table menu command.....	140
5.6.6.6	Spanning Tree menu command.....	140
5.6.6.7	Storm Threshold menu command.....	147
5.6.6.8	NAT menu command.....	147
5.6.6.9	IP Mapping Table menu command	150
5.6.7	The Filters menu	151
5.6.7.1	Filters menu command	151
5.6.7.2	MAC Filters menu command	152
5.6.7.3	MAC Dir Filter menu command.....	152
5.6.7.4	Protocol Filter menu command.....	152
5.6.8	The I-Features menu	153
5.6.8.1	I-Features menu command.....	153
5.6.8.2	iQoS menu command (in access point mode only)	153
5.6.8.3	Forced Roaming on IP Down menu command (in access point mode only).....	154
5.6.8.4	Link Check menu command (in access point mode only)	154
5.6.8.5	Redundancy menu command (in access point mode only).....	155
5.6.8.6	IP Alive menu command (in access point mode only).....	156
5.6.9	The Information menu.....	157
5.6.9.1	Information menu command	157
5.6.9.2	Log Table menu command	157
5.6.9.3	Auth Log menu command.....	157
5.6.9.4	Versions menu command	158
5.6.9.5	Client List menu command	159
5.6.9.6	Ethernet menu command.....	160
5.6.9.7	WLAN menu command.....	161
5.6.9.8	iQoS menu command	165
5.6.9.9	Spanning Tree menu command.....	165
5.6.9.10	IP, TCP/IP, ICMP, SNMP menu command.....	167
5.6.9.11	Signal Recorder menu command	167
5.7	Configuration with the Command Line Interface.....	173
5.7.1	General information on the Command Line Interface.....	173
5.7.2	The CLI\SYSTEM menu	175
5.7.2.1	CLI\SYSTEM menu command.....	175

5.7.2.2	CLI\SYSTEM\IP menu command	176
5.7.2.3	CLI\SYSTEM\SERVICES menu command.....	177
5.7.2.4	CLI\SYSTEM\RESTARTS menu command.....	178
5.7.2.5	CLI\SYSTEM\EVENT menu command.....	178
5.7.2.6	CLI\SYSTEM\EMAIL menu command	181
5.7.2.7	CLI\SYSTEM\SNMP menu command	181
5.7.2.8	CLI\SYSTEM\SNMP\GROUP menu command	182
5.7.2.9	CLI\SYSTEM\SNMP\USER menu command	183
5.7.2.10	CLI\SYSTEM\SNMP\TRAP menu command.....	184
5.7.2.11	CLI\SYSTEM\SYSLOG menu command	184
5.7.2.12	CLI\SYSTEM\SNTP menu command	185
5.7.2.13	CLI\SYSTEM\FAULT menu command	186
5.7.2.14	CLI\SYSTEM\LOADSAVE menu command	186
5.7.2.15	CLI\SYSTEM\CPLUG menu command	188
5.7.3	The CLI\INTERFACES menu.....	189
5.7.3.1	CLI\INTERFACES\ETHERNET menu command	189
5.7.3.2	CLI\INTERFACES\WLAN1 (or \WLAN2 or \WLAN3) menu command.....	190
5.7.3.3	CLI\INTERFACES\WLAN1\ADVANCED (or \WLAN2\ADVANCED or \WLAN3\ADVANCED) menu command.....	191
5.7.3.4	CLI\INTERFACES\WLAN1\SSID (or \WLAN2\SSID or \WLAN3\SSID) menu command	194
5.7.3.5	CLI\INTERFACES\WLAN1\802.11G (or \WLAN2\802.11G or \WLAN3\802.11G) menu command.....	195
5.7.3.6	CLI\INTERFACES\WLAN1\DATARATES (or \WLAN2\DATARATES or \WLAN3\DATARATES) menu command.....	196
5.7.3.7	CLI\INTERFACES\WLAN1\VAP1..7 (or \WLAN2\VAP1..7 or \WLAN3\VAP1..7) menu command.....	197
5.7.4	The CLI\SECURITY menu	197
5.7.4.1	CLI\SECURITY menu command	197
5.7.4.2	CLI\SECURITY\BASIC\WLAN1 (or \WLAN2 or \WLAN3) menu command	198
5.7.4.3	CLI\SECURITY\BASIC\WLAN1\VAP1..7 (or \WLAN2\VAP1..7 or \WLAN3\VAP1..7) menu command.....	200
5.7.4.4	CLI\SECURITY\KEYS\WLAN1 (or \WLAN2 or \WLAN3) menu command	200
5.7.4.5	CLI\SECURITY\ACL\WLAN1 (or \WLAN2 or \WLAN3) menu command	201
5.7.4.6	CLI\SECURITY\RADIUS menu command.....	202
5.7.4.7	CLI\SECURITY\ACCESS menu command.....	203
5.7.5	The CLI\BRIDGE menu.....	204
5.7.5.1	CLI\BRIDGE menu command	204
5.7.5.2	CLI\BRIDGE\WDS\WLAN1 (or \WLAN2 or \WLAN3) menu command	204
5.7.5.3	CLI\BRIDGE\VLAN\VLAN_ID menu command.....	205
5.7.5.4	CLI\BRIDGE\VLAN\PORTS menu command	206
5.7.5.5	CLI\BRIDGE\SPANNING menu command.....	206
5.7.5.6	CLI\BRIDGE\SPANNING\PORTS menu command	207
5.7.5.7	CLI\BRIDGE\STORMTHR menu command	208
5.7.5.8	CLI\BRIDGE\NAT menu command.....	209
5.7.5.9	CLI\BRIDGE\NAT\STATIC menu command.....	209
5.7.6	The CLI\FILTERS menu.....	210
5.7.6.1	CLI\FILTERS\MAC1FLT menu command	210
5.7.6.2	CLI\FILTERS\MAC2FLT menu command	211
5.7.6.3	CLI\FILTERS\PROTO menu command	212
5.7.7	The CLI\FEATURES menu	212
5.7.7.1	CLI\FEATURES\IQOS\WLAN1 (or \WLAN2 or \WLAN3) menu command	212
5.7.7.2	CLI\FEATURES\FORCED_ROAM\WLAN1 (or \WLAN2 or \WLAN3) menu command	214
5.7.7.3	CLI\FEATURES\LINKCHECK menu command.....	215
5.7.7.4	CLI\FEATURES\REDUNDANCY menu command.....	216
5.7.7.5	CLI\FEATURES\IP_ALIVE menu command	217

5.7.8	The CL\INFORM menu	217
5.7.8.1	CL\INFORM menu command	217
5.7.8.2	CL\INFORM\LOG menu command.....	218
5.7.8.3	CL\INFORM\AUTHLOG menu command.....	219
5.7.8.4	CL\INFORM\WLAN1 (or \WLAN2 or \WLAN3) menu command	219
5.7.8.5	CL\INFORM\SIGNAL menu command	220
5.8	Configuring with the PRESET PLUG	222
5.8.1	How the PRESET-PLUG works	222
5.8.2	Creating a Configuration with a new PRESET PLUG	222
5.8.3	Changing a PRESET PLUG that already contains configuration data	223
5.8.4	Putting a device into operation with a PRESET PLUG.....	224
6	Upkeep and maintenance.....	225
6.1	Loading new firmware over FTP	225
6.2	Restoring the default parameter settings.....	226
7	Technical specifications.....	227
7.1	SCALANCE W786 technical specifications	227
A	Appendix.....	231
A.1	Private MIB variables of the SCALANCE W78x / W74x.....	231
A.2	Designing and calculating wireless systems (for example RCoax)	234
	Glossary	241
	Index.....	249

Introduction

1.1 Information on the Operating Instructions SCALANCE W786-xPRO

Validity of the Operating Instructions

These Operating Instructions cover the following products:

- SCALANCE W786-1PRO
- SCALANCE W786-2PRO
- SCALANCE W786-3PRO

These Operating Instructions apply to the following software version:

- SCALANCE W786-xPRO firmware as of Version 3.3

Note

These Operating Instructions do not apply to the SCALANCE W786-2HPW.

Purpose of the Operating Instructions

These operating instructions are intended to provide you with the information you require to install, commission and operate the SCALANCE W786-xPRO correctly. They explain how to configure the SCALANCE W786-xPRO and how to integrate the SCALANCE W786-xPRO in a WLAN network.

Orientation in the documentation

Apart from the operating instructions you are currently reading, the following documentation is also available from SIMATIC NET on the topic of Industrial Wireless LANs:

- Operating Instructions (compact) SCALANCE W786-xPRO

This document is supplied with the device on paper and contains a concise summary of the most important information required to use the following products:

- SCALANCE W786-1PRO
- SCALANCE W786-2PRO
- SCALANCE W786-3PRO

- Operating Instructions for SCALANCE W788-xPRO/RR / SCALANCE W74x-1PRO/RR
The comprehensive documentation for the following products:

- SCALANCE W788-1PRO

- SCALANCE W788-2PRO
- SCALANCE W788-1RR
- SCALANCE W788-2RR
- SCALANCE W744-1PRO
- SCALANCE W746-1PRO
- SCALANCE W747-1RR

The document contains all the information for the setup, commissioning and operation of these devices.

- Operating Instructions SCALANCE W784-1xx / SCALANCE W74x-1
The comprehensive documentation for the following products:

- SCALANCE W784-1
- SCALANCE W784-1RR
- SCALANCE W744-1
- SCALANCE W746-1
- SCALANCE W747-1

The document contains all the information for the setup, commissioning and operation of these devices.

- System manual Wireless LAN Basics

Apart from the description of the physical basics and a presentation of the main IEEE standards, this also contains information on data security and a description of the industrial applications of wireless LAN.

You should read this manual if you want to set up WLAN networks with a more complex structure (not simply a connection between two devices).

- System manual RCoax

This system manual contains both an explanation of the technical basis of leaky feeder cables as well as a description of the SIMATIC NET RCoax components and their functionality. The installation / commissioning and connection of RCoax components is explained.

- Manual Gateway IWLAN/PB LINK PNIO for Industrial Ethernet

The user documentation for the IWLAN/PB LINK PNIO. This device is a gateway between IWLAN and PROFIBUS.

1.2 Type designations

Abbreviations used

The information in the manuals for the SCALANCE W-700 product family often applies to more than one product variant. In such situations, the designations of the products are shortened to avoid having to list all the type designations. The following table shows how the abbreviations relate to the product variants.

Product group	The designation . . . stands for . . .	Product name
Ethernet client modules (IP30, cabinet installation)	W74x-1	W744-1 W746-1 W747-1
Ethernet client modules (IP65, installed outside a cabinet)	W74x-1PRO/RR	W744-1PRO W746-1PRO W747-1RR
All Ethernet client modules SCALANCE W	W74x	W744-1 W746-1 W747-1 W744-1PRO W746-1PRO W747-1RR
Access points (IP30, cabinet installation)	W784-1xx	W784-1 W784-1RR
Access points (IP65, installed outside a cabinet, extreme climatic requirements)	W786-xPRO	W786-1PRO W786-2PRO W786-3PRO
Access points (IP65, installed outside a cabinet)	W788-xPRO/RR	W788-1PRO W788-2PRO W788-1RR W788-2RR
Access points with the "RR" range of functions	W-78x-xRR	W784-1RR W788-1RR W788-2RR
All SCALANCE W access points	W78x	W788-1PRO W788-2PRO W788-1RR W788-2RR W786-1PRO W786-2PRO W786-3PRO W784-1 W784-1RR

1.2 Type designations

Product group	The designation . . . stands for . . .	Product name
All SCALANCE W devices	W -700	W788-1PRO W788-2PRO W788-1RR W788-2RR W744-1PRO W746-1PRO W747-1RR W786-1PRO W786-2PRO W786-3PRO W784-1 W784-1RR W744-1 W746-1 W747-1

Description

2.1 Network structures

Standalone configuration with the SCALANCE W78x

This configuration does not require a server and the SCALANCE W78x does not have a connection to a wired Ethernet. Within its transmission range, the SCALANCE W78x forwards data from one WLAN node to another.

The wireless network has a unique name. All the devices exchanging data within this network must be configured with this name.

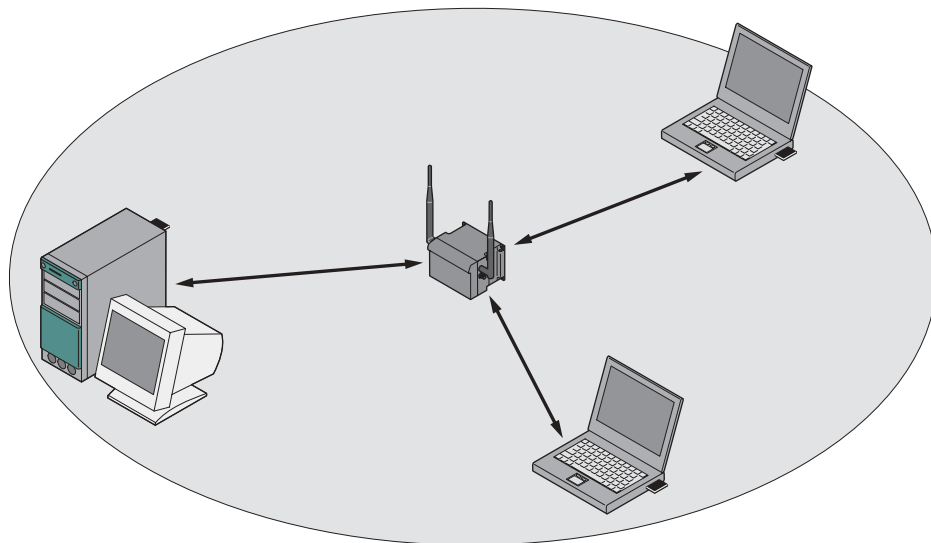


Figure 2-1 Standalone configuration of a SCALANCE W78x. The gray area indicates the wireless transmission range of the SCALANCE W78x.

Ad hoc networks

In ad hoc mode, nodes communicate with each other directly (connection 4) without involving a SCALANCE W78x. The nodes access common resources (files or even devices, for example printers) of the server (connections 1 to 3 in the figure). This is, of course, only possible when the nodes are within the wireless range of the server or within each other's range.

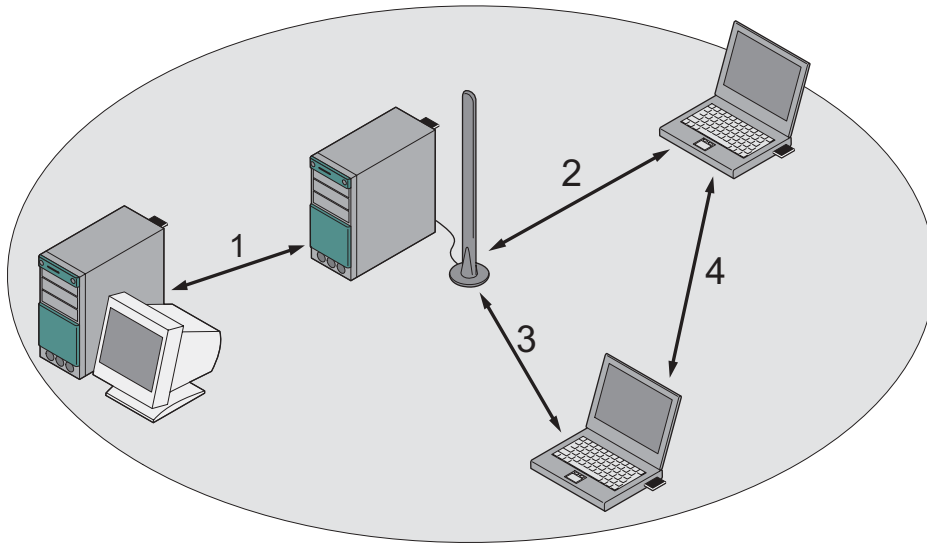


Figure 2-2 Ad hoc network without SCALANCE W78x

Wireless access to a wired Ethernet network

If one (or more) SCALANCE W78x access points have access to wired Ethernet, the following applications are possible:

- A single SCALANCE W78x as gateway:

A wireless network can be connected with a wired network over a SCALANCE W78x.

- Span of wireless coverage for the wireless network with several SCALANCE W78x access points:

The SCALANCE W78x access points are all configured with the same unique SSID (network name). All nodes that want to communicate over this network must also be configured with this SSID.

If a mobile station moves from the coverage range (cell) of one SCALANCE W78x to the coverage range (cell) of another SCALANCE W78x, the wireless connection is maintained (this is called roaming).

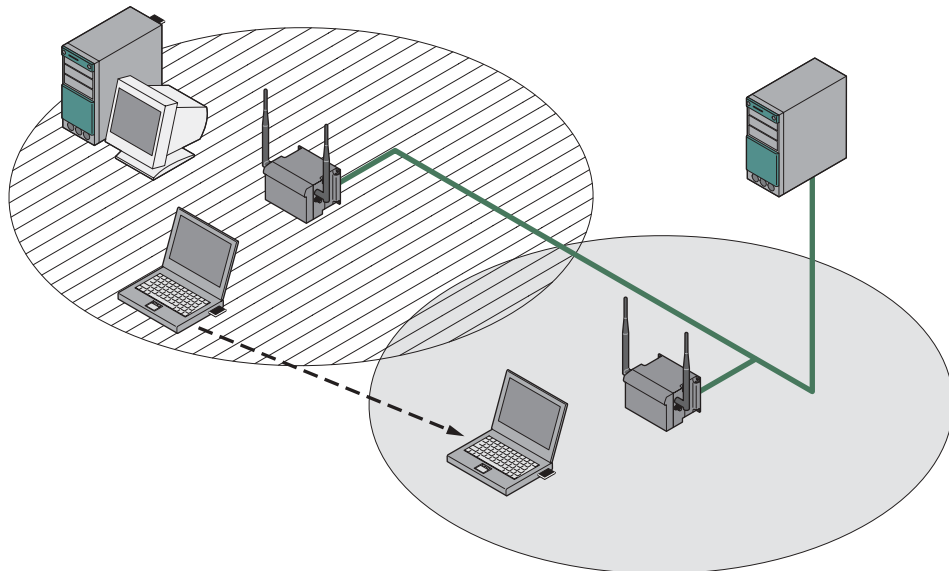


Figure 2-3 Wireless connection of a mobile station over two cells (roaming)

Multichannel configuration

If neighboring SCALANCE W78x access points use the same frequency channel, the response times are longer due to the collisions that occur. If the configuration shown in the figure is implemented as a single-channel system, computers A and B cannot communicate at the same time with the SCALANCE W78x access points in their cells.

If neighboring SCALANCE W78x access points are set up for different frequencies, this leads to a considerable improvement in performance. As a result, neighboring cells each have their own medium available and the delays resulting from time-offset transmission no longer occur.

Channel spacing should be as large as possible; a practical value would be 25 MHz (five channels). Even in a multichannel configuration, all SCALANCE W78x access points can be configured with the same network name.

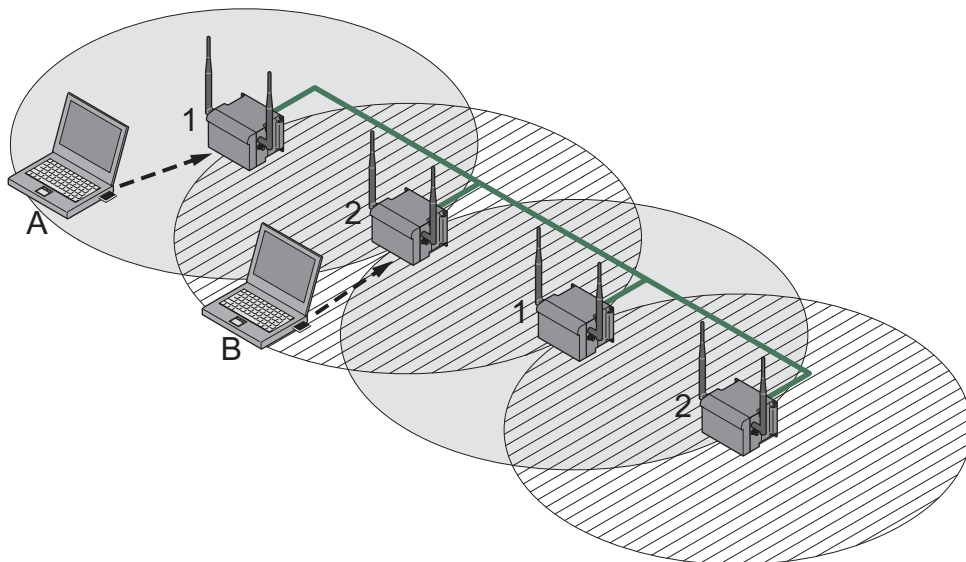


Figure 2-4 Multichannel configuration on channels 1 and 7 with four SCALANCE W78x access points

Wireless Distribution System (WDS)

WDS allows direct connections between SCALANCE W78x devices and or between SCALANCE W78x and other WDS-compliant devices. These are used to create a wireless backbone or to connect an individual SCALANCE W78x to a network that cannot be connected directly to the cable infrastructure due to its location.

Two alternative configurations are possible. The WDS partner can be configured both using its name and its MAC address.

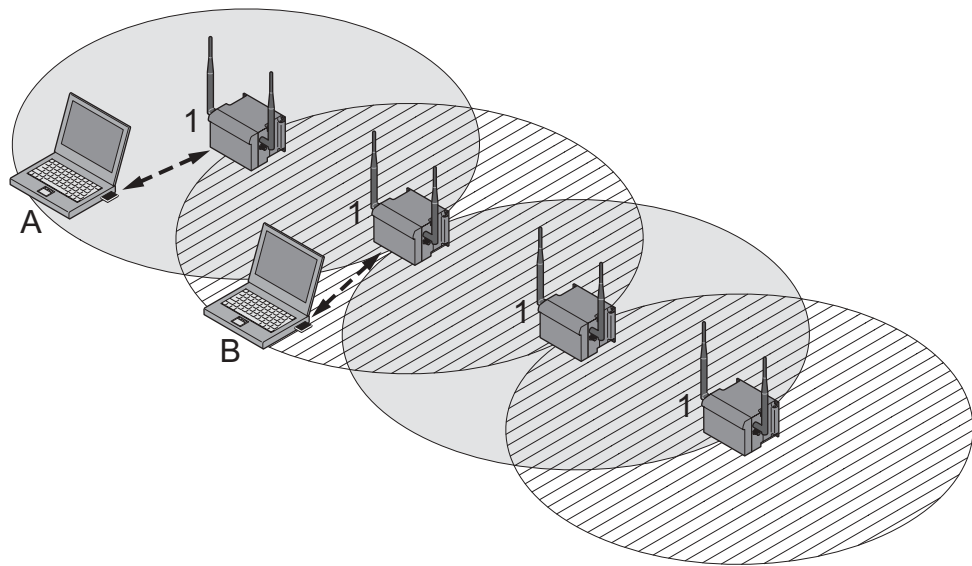


Figure 2-5 Implementation of WDS with four SCALANCE W78x access points

Redundant Wireless LAN (RWLAN)

RWLAN allows a redundant, wireless connection between two SCALANCE W78x devices with at least two WLAN interfaces. This is used to set up a redundant wireless backbone that cannot be implemented as a wired network due to its location but nevertheless has high demands in terms of availability.

Two alternative configurations are possible. The RWLAN partner can be configured both using its name and its MAC address.

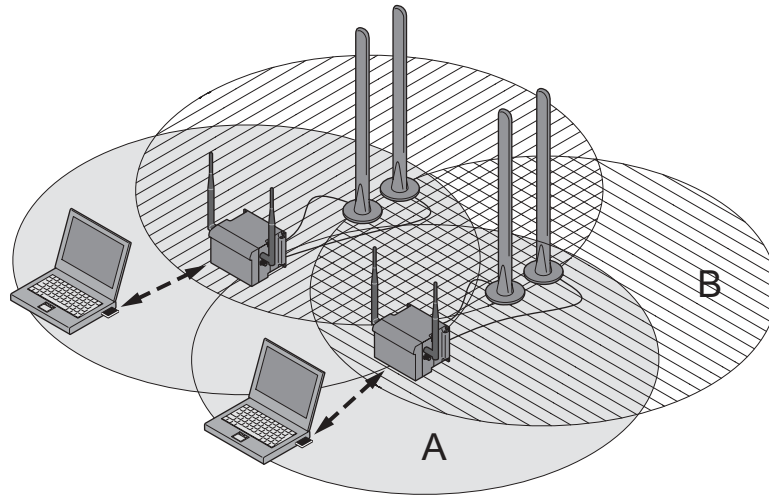


Figure 2-6 Implementing RWLAN with two SCALANCE W78x devices with at least two WLAN interfaces. As an alternative, data transfer is possible over one of the two wireless adapters.

2.2 Scope of delivery

The following components are supplied with the SCALANCE W786:

- SCALANCE W786
- 5 caps for the cover screws
- Depending on the version, up to 8 plugs for sealing the housing.
- Depending on the version, up to 8 strain relief clamps
- 1 connector for the 48 V DC power supply
- 2 adhesive sealing foils for oval fiber-optic cables
(not for devices with RJ-45 port)
- 1 SIMATIC NET Industrial Wireless LAN CD with these Operating Instructions for the SCALANCE W78x
- 1 Operating Instructions (compact) SCALANCE W786

Please check that the consignment you have received is complete. If it is not complete, please contact your supplier or your local Siemens office.

2.3 Product properties

Possible applications of the SCALANCE W786

The SCALANCE W786 is equipped with an Ethernet port and up to three wireless LAN ports. This makes the device suitable for the following applications:

- The SCALANCE W786 forwards data within its transmission range from one node to another without a connection to wired Ethernet being necessary.
- The SCALANCE W786 can be used as a gateway from a wired to a wireless network.
- The SCALANCE W786 can be used as a wireless bridge between two networks.
- The SCALANCE W786 can be used as a bridge between two cells operating at different frequencies.

With a SCALANCE W786 with more than one WLAN port, you can also implement a redundant wireless connection to a SCALANCE W78x with at least two WLAN ports.

Properties of the SCALANCE W786

- The Ethernet interface supports 10 Mbps and 100 Mbps, both in full and half duplex as well as autocrossing and autopolarity.
- Operating the wireless interface in the frequency bands 2.4 GHz and 5 GHz.
- The wireless interface is compatible with the standards IEEE 802.11a, IEEE 802.11h, IEEE 802.11b and IEEE 802.11g. In the 802.11a, 802.11h and 802.11g mode, the gross transmission rate is up to 54 Mbps. In turbo mode, the transmission rate is up to 108 Mbps (not permitted in all countries and modes).
- As an expansion of the 802.11a mode, it is also possible to operate according to the IEEE 802.11h standard. In 802.11h mode, the procedures Transmit Power Control (TPC) and Dynamic Frequency Selection (DFS) are used in the range 5.25 - 5.35 and 5.47 - 5.75 GHz. In some countries, this allows the frequency subband of 5.47 - 5.725 GHz to be used outdoors even with a higher transmit power. TPC is a technique of controlling the transmit power by reducing it to the strength actually required. With dynamic frequency selection (DFS), the access point searches for primary users (for example radar) on a randomly selected channel before starting communication. If signals are found on the channel, this channel is disabled for 30 minutes and the availability check is repeated on another channel.
- Support of the authentication standards WPA, WPA-PSK, WPA2, WPA2-PSK and IEEE 802.1x and the encryption methods WEP, AES and TKIP.
- Suitable for inclusion of a RADIUS server for authentication.
- Device-related and application-related monitoring of the wireless connection.
- The interoperability of the devices with Wi-Fi devices of other vendors was tested thoroughly.

Note

In client mode, you can use a SCALANCE W786-xPRO with the functionality of a SCALANCE W746-1PRO.

The following table illustrates the differences between the various variants of the SCALANCE W786:

Type	Number of WLAN ports	Number and type of Ethernet ports	Number of internal antennas	Number of R-SMA sockets for external antennas	Order no.
W786-1PRO	1	1 RJ-45	1 (diversity ⁽²⁾)	—	6GK5786-1BA60-2AA0 6GK5786-1BA60-2AB0 (1)
W786-1PRO	1	1 RJ-45	—	2	6GK5786-1AA60-2AA0 6GK5786-1AA60-2AB0 (1)
W786-1PRO	1	1 ST duplex multimode FO cable	1 (diversity ⁽²⁾)	—	6GK5786-1BB60-2AA0 6GK5786-1BB60-2AB0 (1)
W786-1PRO	1	1 ST duplex multimode FO cable	—	2	6GK5786-1AB60-2AA0 6GK5786-1AB60-2AB0 (1)
W786-2PRO	2	1 RJ-45	2 (diversity ⁽²⁾)	—	6GK5786-2BA60-2AA0 6GK5786-2BA60-2AB0 (1)
W786-2PRO	2	1 RJ-45	—	4	6GK5786-2AA60-2AA0 6GK5786-2AA60-2AB0 (1)
W786-2PRO	2	1 ST duplex multimode FO cable	2 (diversity ⁽²⁾)	—	6GK5786-2BB60-2AA0 6GK5786-2BB60-2AB0 (1)
W786-2PRO	2	1 ST duplex multimode FO cable	—	4	6GK5786-2AB60-2AA0 6GK5786-2AB60-2AB0 (1)

2.3 Product properties

Type	Number of WLAN ports	Number and type of Ethernet ports	Number of internal antennas	Number of R-SMA sockets for external antennas	Order no.
W786-3PRO	3	1 RJ-45	—	6	6GK5786-3AA60-2AA0 6GK5786-3AA60-2AB0 (1)
W786-3PRO	3	1 ST duplex multimode FO cable	—	6	6GK5786-3AB60-2AA0 6GK5786-3AB60-2AB0 (1)

(1) US variant

(2) There are two internal antennas per WLAN port. The antenna used is always the one that provides the best possible data transmission (diversity).

Requirements for installation and operation

A PG/PC with a network attachment must be available to configure the SCALANCE W786. If no DHCP server is available, a PC on which the Primary Setup Tool (PST) is installed is necessary for the initial assignment of an IP address to the SCALANCE W786. For the other configuration settings, a computer with Telnet or an Internet browser is necessary.

2.4 LED display

Information on operating status and data transfer

On the front of the housing, several LEDs provide information on the operating status of the SCALANCE W786:

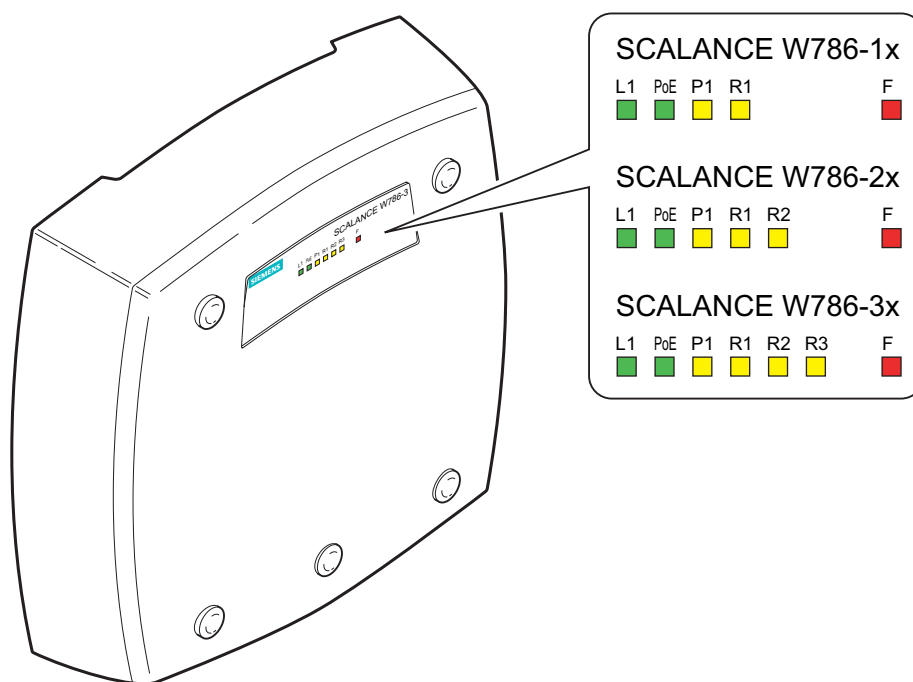


Figure 2-7 The LED display of the SCALANCE W786

Note

The "PoE" LED does not exist on devices with a port for FO cable.

LED	Color	Description
L1	Green	Power supply over a power supply adapter or the 48 V DC energy contacts of devices with a port for FO cable.
PoE	Green	Power over Ethernet or power over the 48 V DC energy contacts of devices with an RJ-45 port.
P1	Yellow	Data transfer over the Ethernet interface (traffic).
	Green	There is a connection over the Ethernet port. (Link).
	Flashing yellow	PRESET-PLUG detected.
	Yellow/green	PRESET function completed successfully.
	Flashing green	"Flashing" enabled over PST.
R1	Yellow	Data transfer over the first WLAN interface.

Description

2.4 LED display

LED	Color	Description
	Green	<i>Access Point Mode:</i> The WLAN interface is initialized and ready for operation. <i>Client Mode:</i> There is a connection over the first WLAN port.
	Flashing green	<i>Access Point Mode:</i> The channels are being scanned. <i>Client Mode:</i> The client is searching for a connection to an access point or ad hoc network.
	Green flashing quickly	<i>Access Point Mode:</i> With 802.11h, the channel is scanned for one minute for primary users before the channel can be used for data traffic. <i>Client Mode:</i> The client waits for the adopt MAC address due to the setting <Auto Find Adopt MAC> and is connected to no access point.
	Green 3x fast, 1x long flashing	<i>Client Mode:</i> The client waits for the adopt MAC address due to the setting <Auto Find Adopt MAC> and is connected to an access point.
	Flashing yellow	PRESET-PLUG detected.
	Yellow/green	PRESET function completed successfully.
R2	Yellow	<i>Access Point Mode:</i> Data transfer over the second WLAN port. <i>Client Mode:</i> The LED is always off because the 2nd port is not available in client mode.
	Green	<i>Access Point Mode:</i> The WLAN interface is initialized and ready for operation. <i>Client Mode:</i> The LED is always off because the 2nd port is not available in client mode.
	Flashing green	<i>Access Point Mode:</i> The channels are being scanned. <i>Client Mode:</i> The LED is always off because the 2nd port is not available in client mode.
	Green flashing quickly	<i>Access Point Mode:</i> With 802.11h, the channel is scanned for one minute for primary users before the channel can be used for data traffic. <i>Client Mode:</i> The LED is always off because the 2nd port is not available in client mode.
	Flashing yellow	PRESET-PLUG detected.
	Yellow/green	PRESET function completed successfully.
R3	Yellow	<i>Access Point Mode:</i> Data transfer over the third WLAN port. <i>Client Mode:</i> The LED is always off because the 3rd port is not available in client mode.

LED	Color	Description
	Green	<i>Access Point Mode:</i> The WLAN interface is initialized and ready for operation. <i>Client Mode:</i> The LED is always off because the 3rd port is not available in client mode.
	Flashing green	<i>Access Point Mode:</i> The channels are being scanned. <i>Client Mode:</i> The LED is always off because the 3rd port is not available in client mode.
	Green flashing quickly	<i>Access Point Mode:</i> With 802.11h, the channel is scanned for one minute for primary users before the channel can be used for data traffic. <i>Client Mode:</i> The LED is always off because the 3rd port is not available in client mode.
	Flashing yellow	PRESET-PLUG detected.
	Yellow/green	PRESET function completed successfully.
F	Red	An error occurred during operation with the SCALANCE W786.
	Flashing red	Ready to load firmware. The device was either stopped with the reset button or there is incorrect firmware on the device.

Note

If the LED for the WLAN port is not green when the device starts up, although it is activated, the port is not ready for operation (interface not initialized).

The main reason for this is usually that during commissioning of the SCALANCE W78x products, a waiting time of up to 15 minutes can occur when the ambient temperature is below zero. The device is ready for operation at the specified ambient temperature as soon as the LED for the WLAN interface is lit green.

2.5 C-PLUG

Configuration information on the C-PLUG

The C-PLUG is used to transfer the configuration of the old device to the new device when a device is replaced. When the new device starts up with the C-PLUG, it then continues automatically with exactly the same configuration as the old device. One exception to this can be the IP configuration if it is set over DHCP and the DHCP server has not been reconfigured accordingly.

Reconfiguration is necessary if you use WDS or redundancy with devices with more than one WLAN interface and use the MAC addresses and not the sysNames. These functions are then based on the MAC address that inevitably changes if a device is replaced.

Note

In terms of the C-PLUG, the SCALANCE W-700 devices work in two modes:

- **Without C-PLUG**
The device stores the configuration in internal memory. This mode is active when no C-PLUG is inserted.
 - **With C-PLUG**
The configuration stored on the C-PLUG is displayed over the user interfaces. In this mode, the internal memory is neither read nor written. If changes are made to the configuration, the device stores the configuration directly on the C-PLUG. This mode is active when no C-PLUG is inserted. As soon as the device is started with a C-PLUG inserted, the SCALANCE W-700 starts up with the configuration data on the C-PLUG.
-

2.6 Reset button

Functions of the reset button

The reset button is located below the housing cover beside the sockets for external antennas.

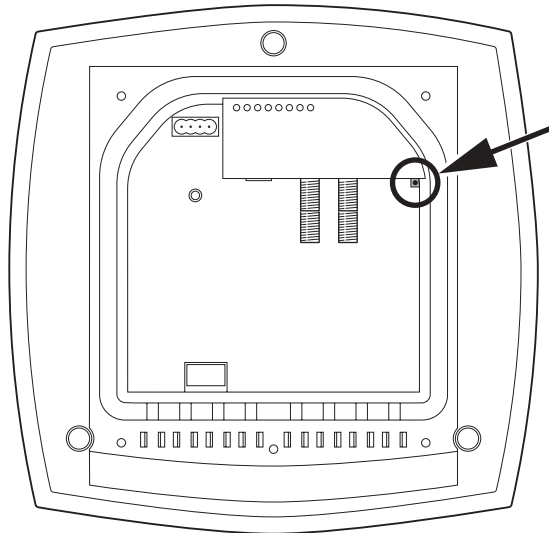


Figure 2-8 Position of the reset button with the housing cover removed

The reset button has the following functions:

- **Restart of the device**
To restart the device, press the reset button.
- **Loading new firmware**
If the normal procedure with the Load & Save menu of Web Based Management was completed successfully, the reset button can be used to load new firmware. This situation can occur if there was a power outage during the normal firmware update.
- **Restoring the default parameters (factory defaults)**
- **Adopting the configuration data from the PRESET PLUG.**

2.7 Biological compatibility

Electromagnetic fields and health

With regard to the question of whether electromagnetic fields (for example in association with industrial wireless LANs) can put human health at risk, we refer to a publication of BITKOM (German Association for information Technology, Telecommunication and New Media e. V.), dated December 2003:

"The same health guidelines apply to WLAN devices as to all other radio applications. These regulations are based on the protection concept of ICNIRP¹ or the corresponding recommendation of the European Council.

The independent German radiation protection commission (SSK) was commissioned by the federal German ministry of the environment to investigate the possible dangers - thermal and non-thermal - resulting from electromagnetic fields and came to the following conclusions²:

'The German Commission on Radiological Protection concludes that according to the latest scientific literature no new scientific research is available with respect to proven health hazards which would throw doubt upon the scientific evaluation which serves as the basis for the ICNIRP safety concepts and the recommendations of the EU commission.'

The SSK also concludes that below the current limit values, there is also no scientific suspicion of health risks.

This assessment agrees with those of other national and international scientific commissions and of the WHO (www.who.int/emf).

Accordingly and in view of the fact that WLAN devices are significantly below the scientifically established limit values, there are no health risks from the electromagnetic fields of WLAN products.

¹ International Council on Non-Ionizing Radiation Protection

² 'Limit Values and Precautionary Measures to Protect the General Public from Electromagnetic Fields' Recommendation of the Radiation Protection Commission (SSK) with scientific justification, Issue 29, 2001."

You will find further information on this topic under the following URL:

www.bitkom.org

Assembly

3.1 Removing / fitting the housing cover

When does the housing cover need to be removed?

You can only perform the following activities when the cover is removed.

- You want to screw the SCALANCE W786 to a wall or onto the optional mounting plate.
- You want to connect cables to the SCALANCE W786 for the power supply, for Ethernet or for external antennas.
- You want to insert a C-PLUG in the device or replace an existing C-PLUG.
- You want to use the reset button.

Removing the housing cover

**Danger from line voltage**

After removing the housing cover, there is a risk of touching live parts.

Remove the housing cover only after you have turned off the power supply of the SCALANCE W786.

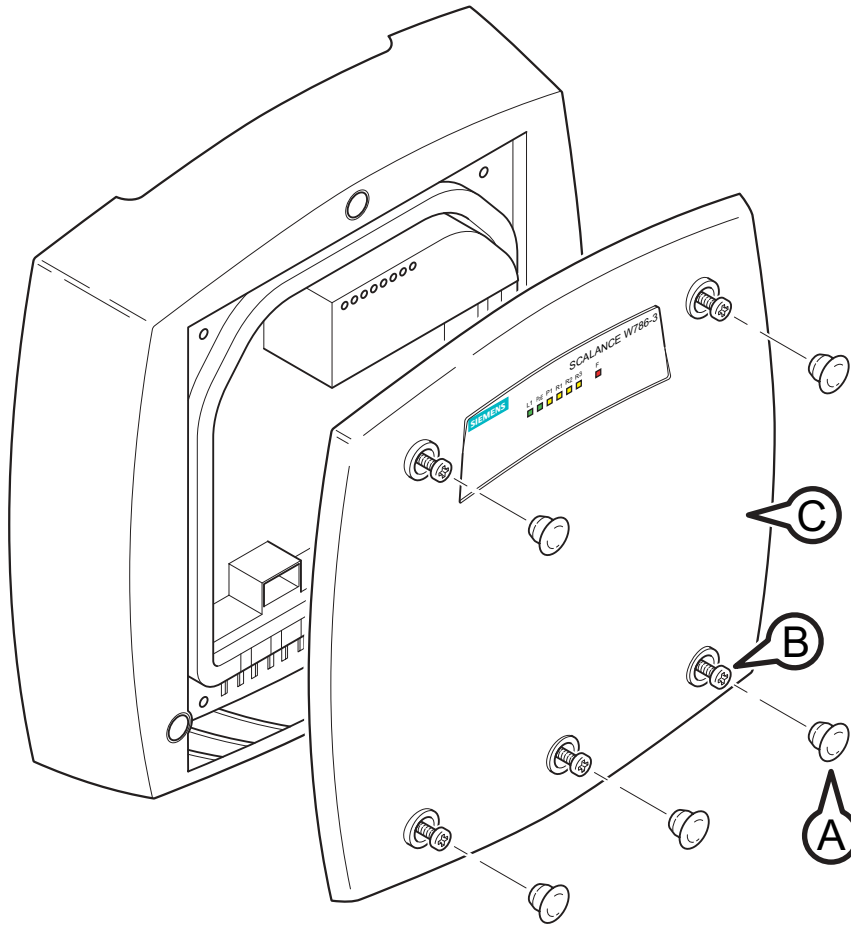


Figure 3-1 Removing the cover
A Sealing cap
B Cover screw
C Housing cover

Follow the steps below to remove the housing cover:

1. Remove the sealing caps from the housing cover (position **A** in the figure above)
2. Loosen the screws in the cover (position **B** in the figure above).

Note

These screws remain in the cover after they have been loosened (prevents them being lost). Never attempt to remove these screws from the housing cover using force, otherwise the housing cover will be damaged!

3. Remove the housing cover with the captive screws (position **C** in the figure above).

Fitting the housing cover

Fitting the housing cover is carried out in the reverse order. Tightening torque for the cover screws 1.8 Nm.

3.2 Connecting up cables

Connecting up cables prior to mounting

Before you screw a SCALANCE W786 to a wall or to the optional mounting plate, the cables for the power supply, for Ethernet, and, when necessary, for the external antennas must be connected up first. The available options are as follows:

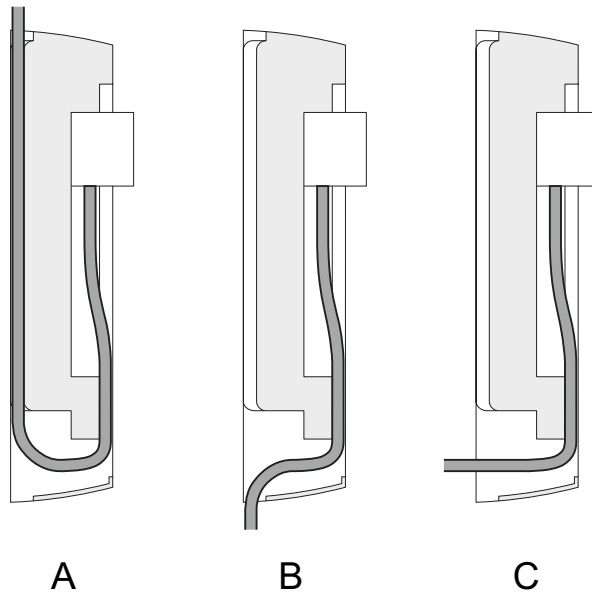


Figure 3-2 Side view of a SCALANCE W786 with cables entering from different directions

- The cables are inserted from above (position **A** in the previous schematic). The housing of the SCALANCE W786 has an opening at the top for this purpose.
- The cables are inserted from below (position **B** in the previous schematic). There is also an opening at the bottom for this purpose.
- Cables inserted through a wall behind the SCALANCE W786 (position **C** in the previous schematic). In this case, you will need to mount the SCALANCE W786 so that the opening in the wall is located above the lower edge of the device.

Connecting up FO cables

Fiber-optic cables have a minimum bending radius. The cable must not be bent tighter than this bending radius during installation or operation, otherwise the FO cable will be irreperably damaged.

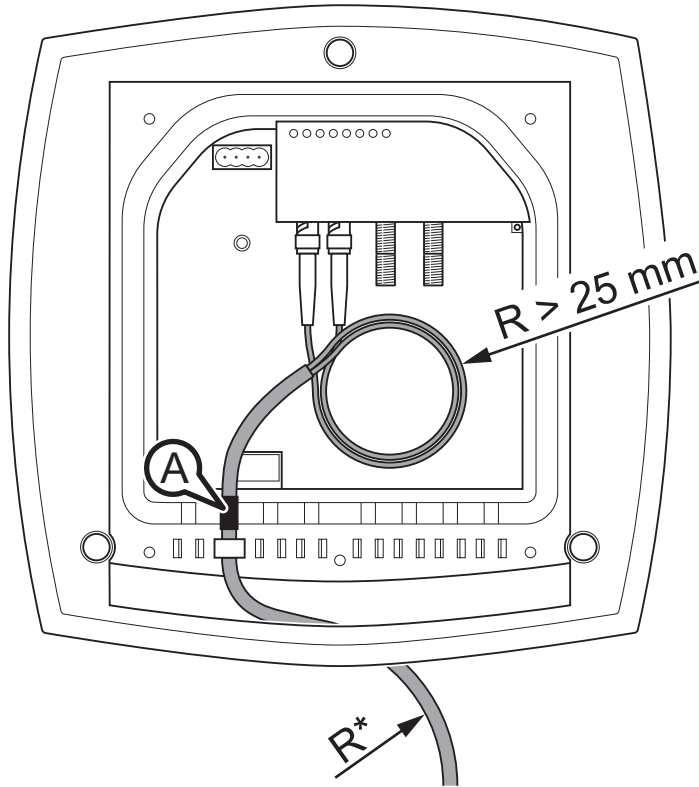


Figure 3-3 Connecting up an FO cable

For the FO cable, use the second opening from the left in the seal. Cable routing is illustrated in the figure above. For individual cores immediately following the connector, the minimum bending radius is 25 mm. Refer to the specification of the cable you are using for the minimum permitted bending radius of the cable within the jacket. Make sure that the FO cable is not sharply kinked after passing through the housing.

An adhesive sealing foil must be used in the housing sealing with FO cables (position **A** in the figure above). For more detailed information, refer to the section "Connecting the cables".

Grounding terminal

! WARNING

To operate the SCALANCE W786 safely, the chassis ground connector must have a suitable cable connected. Do not use the SCALANCE W786 without a ground cable connected.

The chassis ground connector is located on the rear of the device (M4 thread). Connect the ground cable before you mount the SCALANCE W786 on a wall or on the optional mounting plate. Once the SCALANCE W786 is mounted, the connector is no longer accessible.

Place the supplied toothed washer directly on the rear of the device before screwing on the ground cable. Only then can you be sure that there is ideal contact with the screwed-on cable.

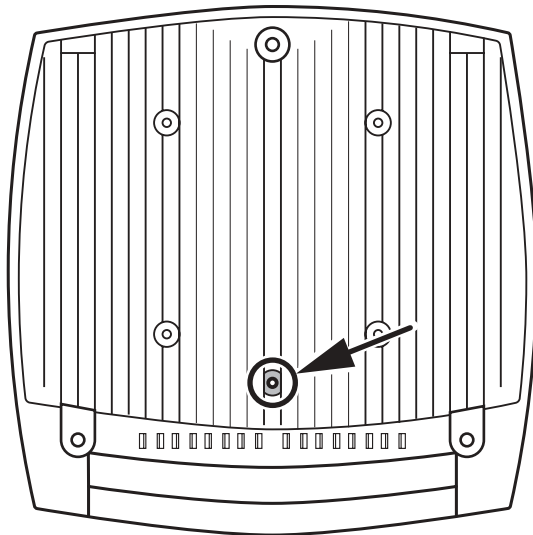


Figure 3-4 Chassis ground connector on the rear of the SCALANCE W786

3.3 Mounting without an adapter (wall mounting only)

Drilling template

The location of the holes for mounting the SCALANCE W786 on a wall is shown in the following figure:

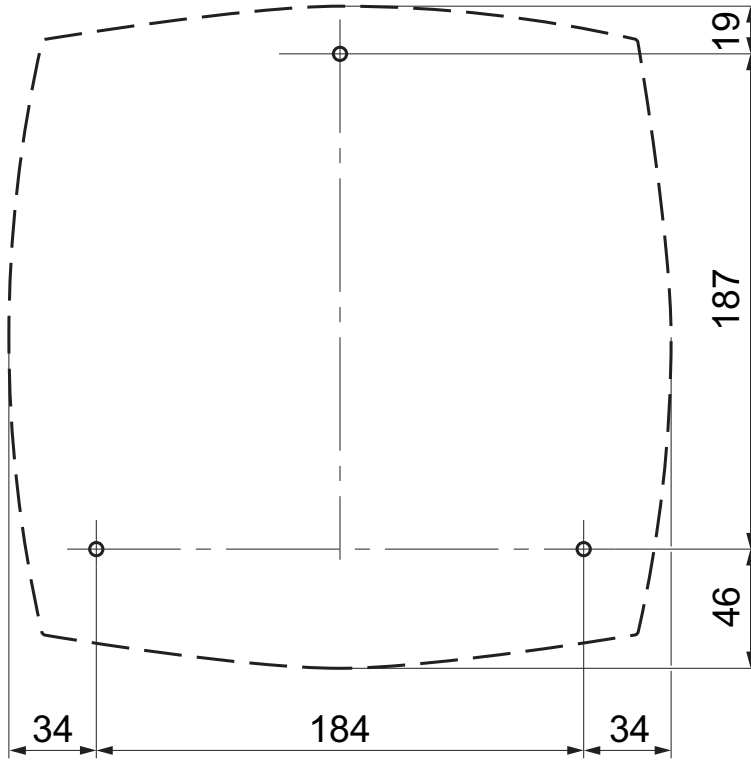


Figure 3-5 Drilling template for wall mounting of the SCALANCE W786

Procedure

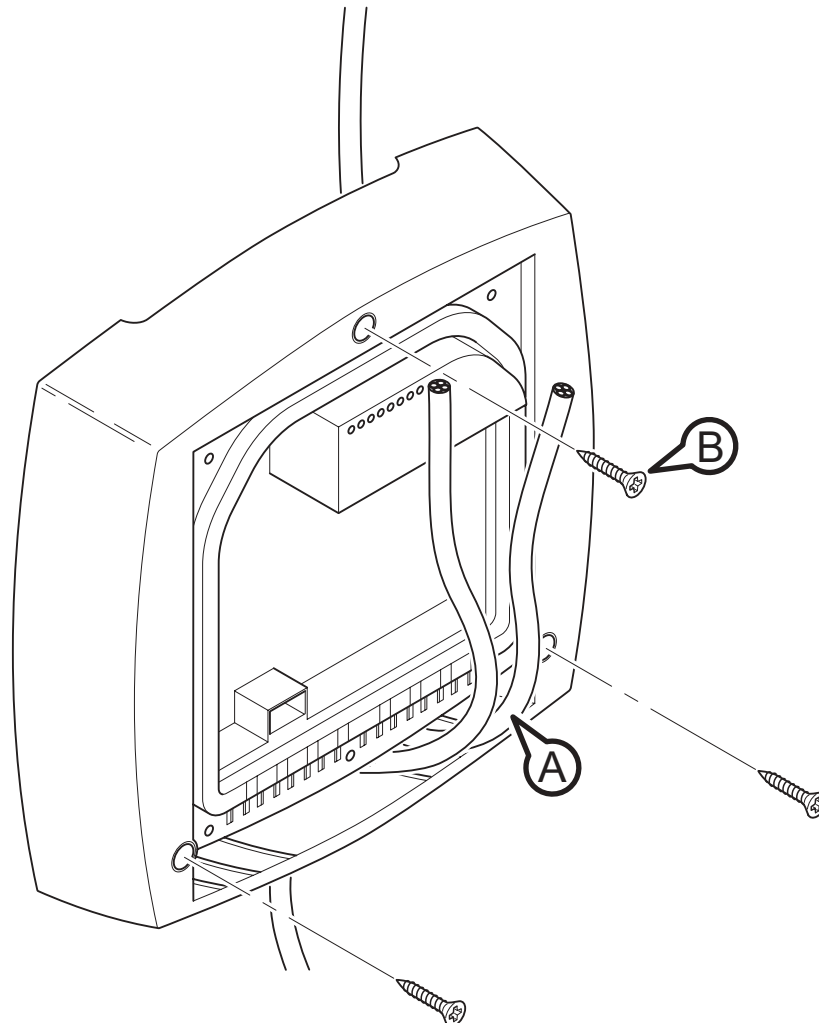


Figure 3-6 SCALANCE W786 wall mounting

Follow the steps below to screw a SCALANCE W786 to a wall:

1. Lead the cables into the housing of the SCALANCE W786 (position **A** in the figure above). Note the information in the section "Connecting up cables".
2. Secure the SCALANCE W786 to the wall with three screws (position **B** in the figure above). The screws are not supplied with the device. The type and length of the screws depend on the type of wall.

Type of screw:

- for wooden walls: wood screw 4 x 30 mm
- for concrete walls: 4 x 50 mm with 5 mm concrete plug
- for metal walls: M4 x 25 mm with machine thread in the wall

Option: Threaded holes on rear of housing

When a wall is extremely thin, it is often not possible to use wall plugs for the screws. To allow wall mounting even in this situation, there are four M4 threaded holes on the rear of the SCALANCE W786. The drilling template is a square with sides 100 mm long. The device can therefore be mounted on a wall with bolts through the wall.

Calculate the length of the required M4 screws as follows:

Screw length = wall thickness + 7 mm

3.4 Mounting with mounting plate

3.4.1 Fitting the mounting plate to a wall

Drilling template

The location of the holes for fitting the mounting plate to a wall is shown in the following figure:

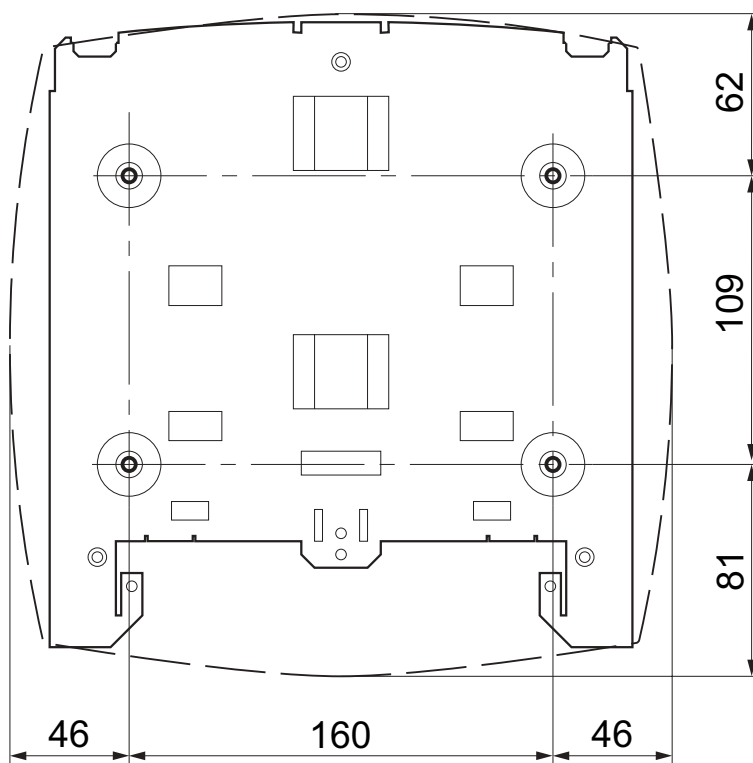


Figure 3-7 Drilling template for fitting the mounting plate to a wall

Procedure

Secure the mounting plate to the wall with four screws. The screws are not supplied with the device. The type and length of the screws depend on the type of wall.

Type of screw:

- for wooden walls: wood screw 4 x 30 mm
- for concrete walls: 4 x 50 mm with 5 mm concrete plug
- for metal walls: M4 x 25 mm with machine thread in the wall

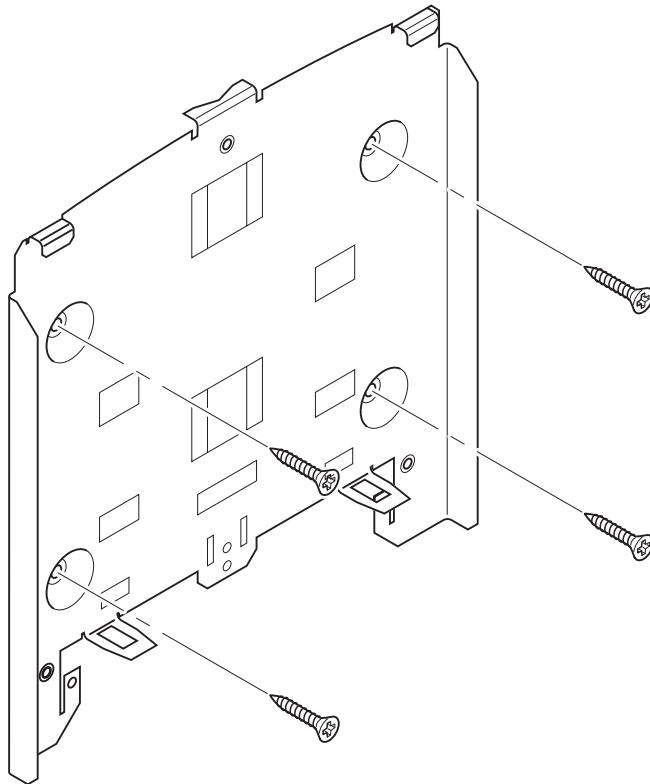


Figure 3-8 Fitting the mounting plate for the SCALANCE W786 to a wall

3.4.2 Screwing the cover plate for the cable feedthrough to the mounting plate

Protection of the cable feedthrough against strong water jets

The cabling of a SCALANCE W786 is led out of the rear of the device. The housing seal is effective only when it is not subjected to water jets. If the device is mounted on a wall, this is the case and no further measures are necessary. When mounted in any other way, except for mounting on an S7-300 standard rail, an additional cover plate must be screwed to the mounting plate.

! WARNING

Danger from line voltage

If the cable feedthrough is subjected to strong water jets, water can penetrate the device and create a live connection to the line voltage. There is then a risk of electric shock.

Make sure that you use the cover plate for the cable feedthrough if you do not mount the SCALANCE W786 on a wall.

Procedure

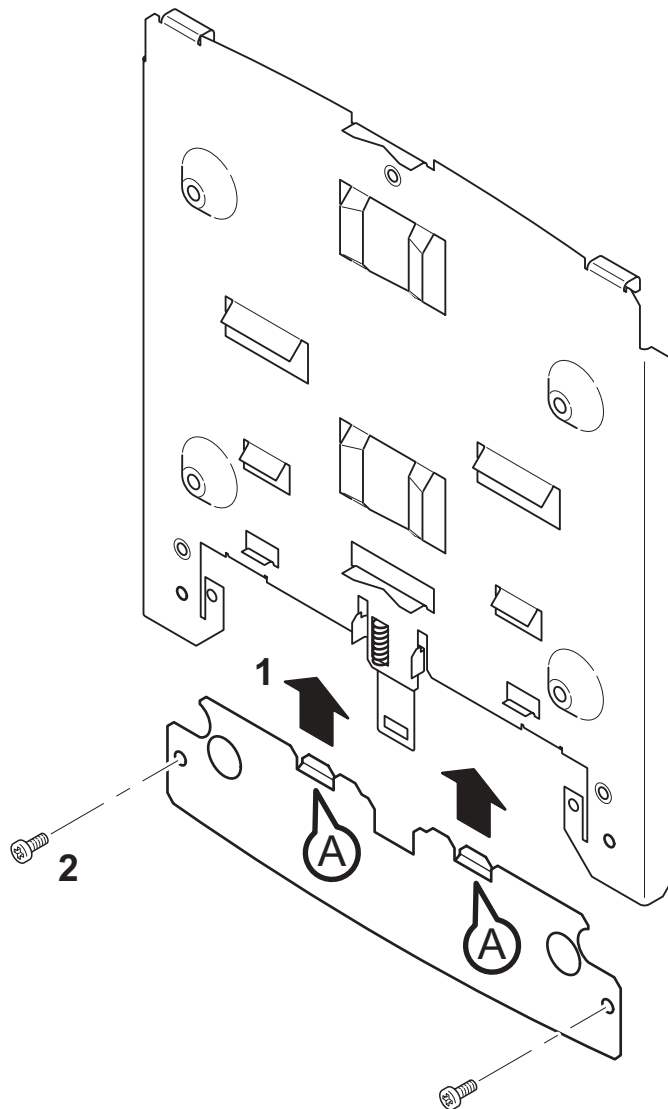


Figure 3-9 Fitting and securing the cover plate for the cable feedthrough

To screw the cover plate for the cable feedthrough to the mounting plate, follow the steps below:

1. Fit the cover plate on the mounting plate from below until the two lugs (position **A** in the figure above) engage the lower edge of the mounting plate.
2. Secure the cover plate to the mounting plate with two M4 screws. The screws are supplied with the assembly kit.

3.4.3 Fitting the mounting plate to an S7-300 standard rail

Procedure

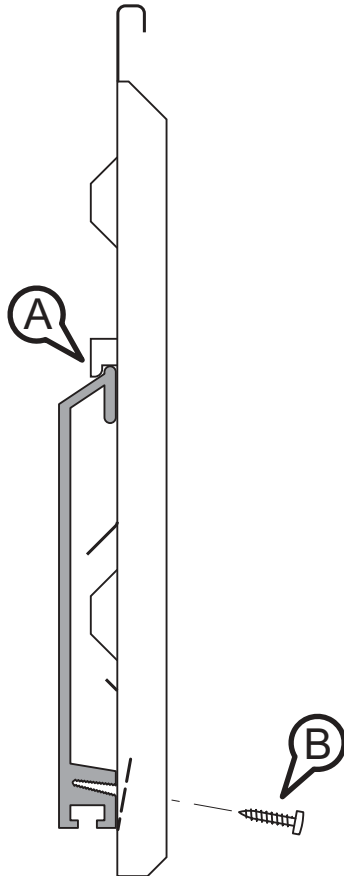


Figure 3-10 Side view of a mounting plate on an S7-300 standard rail

Follow the steps below to fit the mounting plate to an S7-300 standard rail:

1. Place the mounting plate with the two protruding catches on the top edge of the S7-300 standard rail (position **A** in the figure above).
2. At the bottom, the mounting plate has two lugs with holes. Screw the lugs to the S7-300 standard rail (position **B** in the figure above). The required screws are supplied with the mounting plate.

3.4.4 Fitting the mounting plate to a DIN rail

Procedure

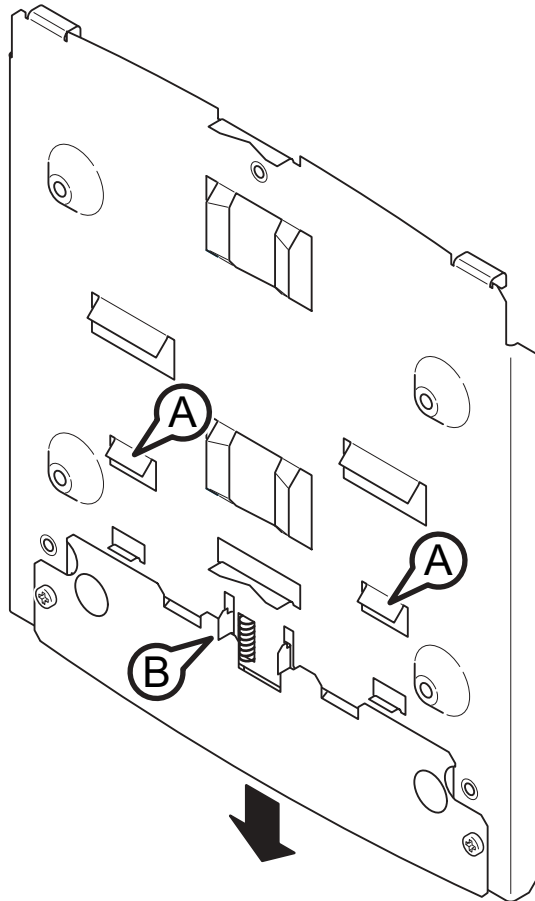


Figure 3-11 Mounting plate with fittings for DIN rail mounting

Follow the steps below to fit the mounting plate to a DIN rail:

1. Place the mounting plate with the two catches (position A in the figure above) on the upper edge of the DIN rail.
2. Pull down the DIN rail sliding catch (position B in the figure above) and press the mounting plate against the DIN rail until the sliding catch engages.

3.4.5 Fitting the mounting plate to a mast

Procedure

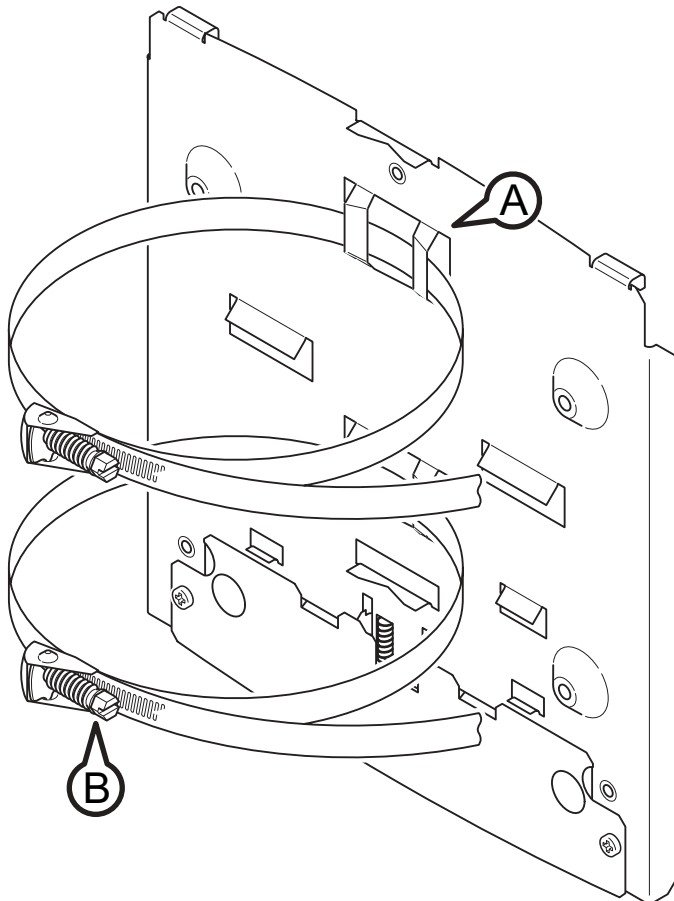


Figure 3-12 Mounting plate with fittings for mast mounting

Follow the steps below to fit the mounting plate to a mast:

1. Feed the fastening straps through the openings in the mounting plate (position **A** in the figure above).
2. Place the fastening straps around the mast at the required position.
3. Feed the free end of the strap through the quick-release fastener. You can twist the tensioning screw (position **B** in the figure above) to the side to adapt a fastening strap to the diameter of the mast.
4. Press the tensioning screw against the fastening strap and tighten the tensioning screw, tightening torque 4.5 Nm.

3.4.6 Fitting/removing the SCALANCE W786 to/from a mounting plate

Procedure for mounting the device

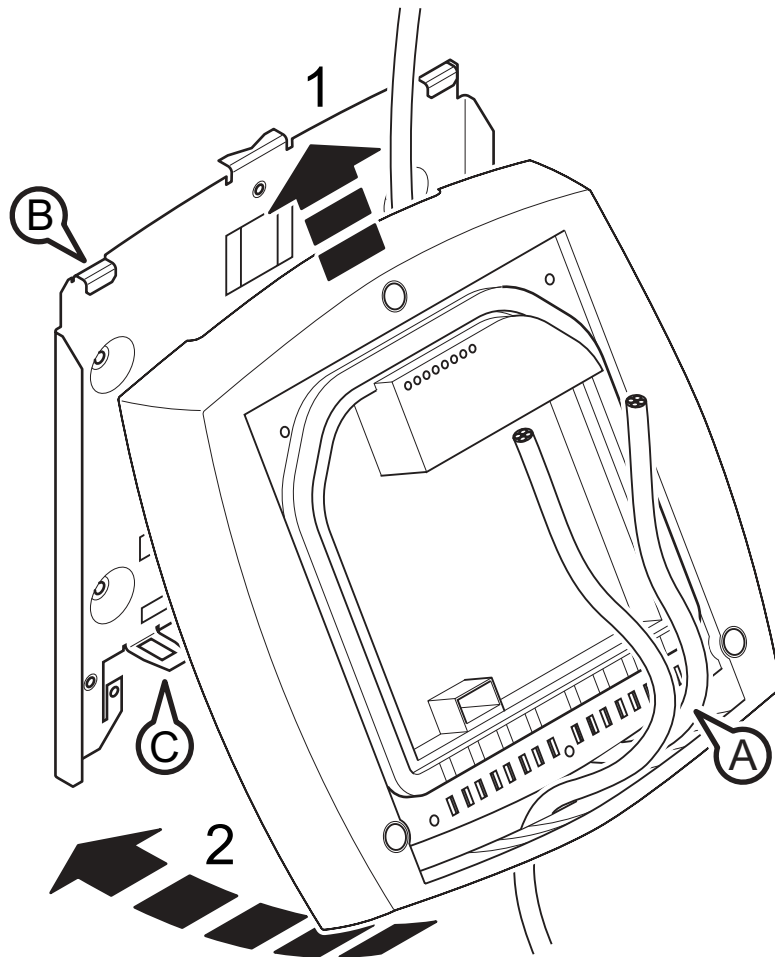


Figure 3-13 Fitting the SCALANCE W786 to a mounting plate

Follow the steps below to fit a SCALANCE W786 to a mounting plate:

1. Lead the cables into the housing of the SCALANCE W786 (position **A** in the figure above). Note the information in the section "Connecting up cables".
2. Fit the SCALANCE W786 so that the upper edge of the rear of the housing is below the two catches of the mounting plate (position **B** in the figure above).
3. Push in the SCALANCE W786 until it engages in the notches at the lower edge of the mounting plate (position **C** in the figure above).

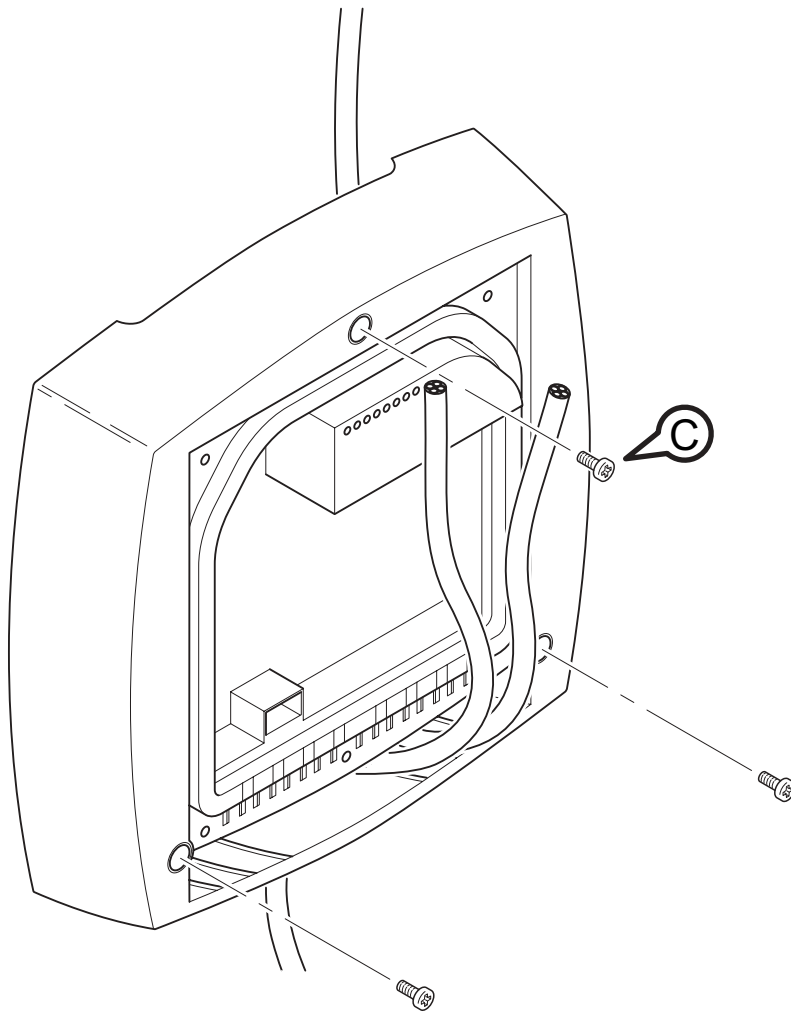


Figure 3-14 Screwing a SCALANCE W786 to a mounting plate

4. Screw the SCALANCE W786 using the three M4 screws supplied with the mounting plate (position **D** in the figure above), tightening torque 1.8 Nm.

Procedure for removing the device


Follow the steps below to remove a SCALANCE W786 from a mounting plate:

1. Loosen the screws between the SCALANCE W786 and mounting plate.
2. Using a screwdriver or similar tool, press down the two lugs on the lower edge of the mounting plate (position **C** in the first figure in this section) and release the SCALANCE W786 from the recesses.
3. Pull out the lower edge of the SCALANCE W786 to the front and then release it from the two clips on the mounting plate (position **B** in the first figure in this section).

Connecting up


4.1 Lightning protection, power supply, and grounding

Notes on lightning protection

 WARNING
<p>Danger due to lightning strikes</p> <p>Antennas installed outdoors must be within the area covered by a lightning protection system. Make sure that all conducting systems entering from outdoors can be protected by a lightning protection potential equalization system.</p> <p>When implementing your lightning protection concept, make sure you adhere to the VDE 0182 or IEC 62305 standard.</p>

A suitable lightning conductor is available in the range of accessories of SIMATIC NET Industrial WLAN:

Lightning protector LP798-1N (order no. 6GK5798-2LP00-2AA6)

 WARNING
<p>Danger due to lightning strikes</p> <p>Installing this lightning protector between an antenna and a SCALANCE W-700 is not adequate protection against a lightning strike. The LP798-1N lightning protector only works within the framework of a comprehensive lightning protection concept. If you have questions, ask a qualified specialist company.</p>

Note


The requirements of EN61000-4-5, surge immunity tests on power supply lines, are met only when a Blitzductor is used with 12 - 24 V DC and 48 V DC:

12 - 24 V DC: VT AD 24V type no. 918 402

48 V DC: Type no. 919 545 and 919 506 (holder)

Manufacturer: DEHN+SÖHNE GmbH+Co.KG, Hans Dehn Str. 1, Postfach 1640, D-92306 Neumarkt, Germany

Safety extra low voltage

 WARNING
Danger to life from overvoltage, fire hazard
SCALANCE W-700 devices are designed for operation with a directly connectable safety extra-low voltage or with the power supply adapters available as accessories (available only for the SCALANCE W786-xPRO device). Therefore only safety extra-low voltage (SELV) with limited power source (LPS) complying with IEC950/EN60950/VDE0805 may be connected to the power supply terminals (exception: Power supply adapter for 110 - 230 V AC for the SCALANCE W786-xPRO).
The power supply unit to supply the SCALANCE W-700 must comply with NEC Class 2 (requirements of class 2 for power supply units of the "National Electrical Code, table 11 (b)") or SELV with LPS (Limited Power Source) EN 60950-1. If the power supply is designed redundantly (two separate power supplies), both power supplies must meet these requirements.
Exceptions:
<ul style="list-style-type: none">• Power supply with PELV (according to VDE 0100-410 or IEC 60364-4-41) is also possible if the generated rated voltage does not exceed the voltage limits 25 V AC or 60 V DC.

Earthing

CAUTION
Damage to the device due to potential differences
To avoid the influence of electromagnetic interference, the device should be grounded. There must be no potential difference between the following parts, otherwise the device or other connected device could be severely damaged:
<ul style="list-style-type: none">• Housing of the SCALANCE W-700 and the ground potential of the antenna.• Housing of the SCALANCE W-700 and the ground potential of a device connected over Ethernet.• Housing of the SCALANCE W-700 and the shield contact of the connected Ethernet cable.
Connect both grounds to the same foundation earth or use an equipotential bonding cable.

Interruption of the power supply

CAUTION
Damage to the Ethernet interface
Repeated fast removal and insertion of the Ethernet cable when using Power-over-Ethernet and when there is a redundant power supply can cause damage to the Ethernet interface.
Avoid repeatedly removing and inserting the Ethernet cable when using Power-over-Ethernet and a redundant power supply.

4.2 Suitable cables and antennas for the SCALANCE W786

Cable specification

The following table lists the requirements for a cable depending on the use case.

Application	Specification
Direct 48 V DC supply	<ul style="list-style-type: none"> Round cable cross-section with 6 to 8 mm diameter. Permitted tensile load at least 100 N. UL listing: Type PLTC or ITC
Power supply adapter 12 - 24 V DC	<ul style="list-style-type: none"> Round cable cross-section with 6 to 8 mm diameter. Permitted tensile load at least 100 N. UL listing: Type PLTC or ITC
Power supply adapter 110 - 230 V AC	<ul style="list-style-type: none"> Round cable cross-section with 6 to 8 mm diameter. Three-core cable with 0.5 - 1.5 mm² cross section of the individual cores. Permitted tensile load at least 100 N.
Ethernet	IE FC TP Standard Cable GP 2 x 2 (type A) Order no. 6XV1 840-2AH10 IE TP Torsion Cable 2 x 2 (type C) Order no. 6XV1 870-2F IE FC TP Trailing Cable 2 x 2 (type C) Order no. 6XV1 840 3AH10 UL listing: Type PLTC or ITC (the three named types have this approval)
Multimode FO cable	FO Standard Cable GP Order no. 6XV1 873-2A Minimum bending radius 65 mm. You will find detailed information on preassembled cable lengths and connectors in the catalog "IK PI".

Antenna connector: N-Connect/R-SMA connecting cable

The N-Connect/R-SMA male/male flexible connecting cable is available as an accessory for direct connection of an antenna to a SCALANCE W-700.

Length in m	Order number
1	6XV1875-5CH10
2	6XV1875-5CH20
5	6XV1875-5CH50
10	6XV1875-5CN10

Antenna connector: N-Connect/ N-Connect connecting cable

The N-Connect/N-Connect male/male flexible connecting cable is available as an accessory for connecting an antenna to the lightning protector LP798-1N.

Length in m	Order number
1	6XV1875-5CH10
2	6XV1875-5CH20
5	6XV1875-5CH50
10	6XV1875-5CN10

There is a control cabinet feedthrough available for IWLAN devices located in a control cabinet. You will find detailed information in the catalog IK PI.

Antennas

The following antennas have been approved for use with a SCALANCE W786-xPRO:

Type	Properties	Order no.
ANT795-6MN	Omni antenna 2.4 / 5 GHz, ceiling mounted	6GK5795-6MN00-0AA6
ANT792-6MN	Omni antenna 2.4 GHz, wall mounted	6GK5792-6MN00-0AA6
ANT793-6MN	Omni antenna 5 GHz, wall mounted	6GK5793-6MN00-0AA6
ANT792-8DN	Directional antenna 2.4 GHz, wall mounted	6GK5792-8DN00-0AA6
ANT793-8DN	Directional antenna 5 GHz, wall mounted	6GK5793-8DN00-0AA6
ANT795-6DN	Directional antenna 2.4 / 5 GHz, wall mounted	6GK5795-6DN00-0AA6
ANT792-4DN	RCoax antenna 2.4 GHz	6GK5792-4DN00-0AA6
ANT793-4MN	RCoax antenna 5 GHz	6GK5793-4MN00-0AA6

4.3 Connecting the cables

Procedure

 **WARNING**

Danger from line voltage

If the housing is not perfectly sealed, there is a danger to life due to the line voltage if the SCALANCE W786 is subjected to spray water or dampness. Make sure that you keep to the following safety rules.

- Before connecting up, turn off the power supply.
- The sealing of the cable feedthroughs of the SCALANCE W786 is only assured when the cable has a suitable diameter and adequate tensile strength. Only use cables that meet the specifications in the section "Cables for the SCALANCE W786". When connecting up a FO cable, make sure that you use the adhesive sealing foil supplied with the SCALANCE W786.
- Never wrap insulating tape, adhesive tape or other materials around thinner cables to achieve the required diameter. In this case, neither the housing seal nor the strain relief clamps can fulfill their function.
- Close all unused openings in the housing seal with the sealing plugs supplied with the SCALANCE W786. Do not use fillers or any other material under any circumstances.

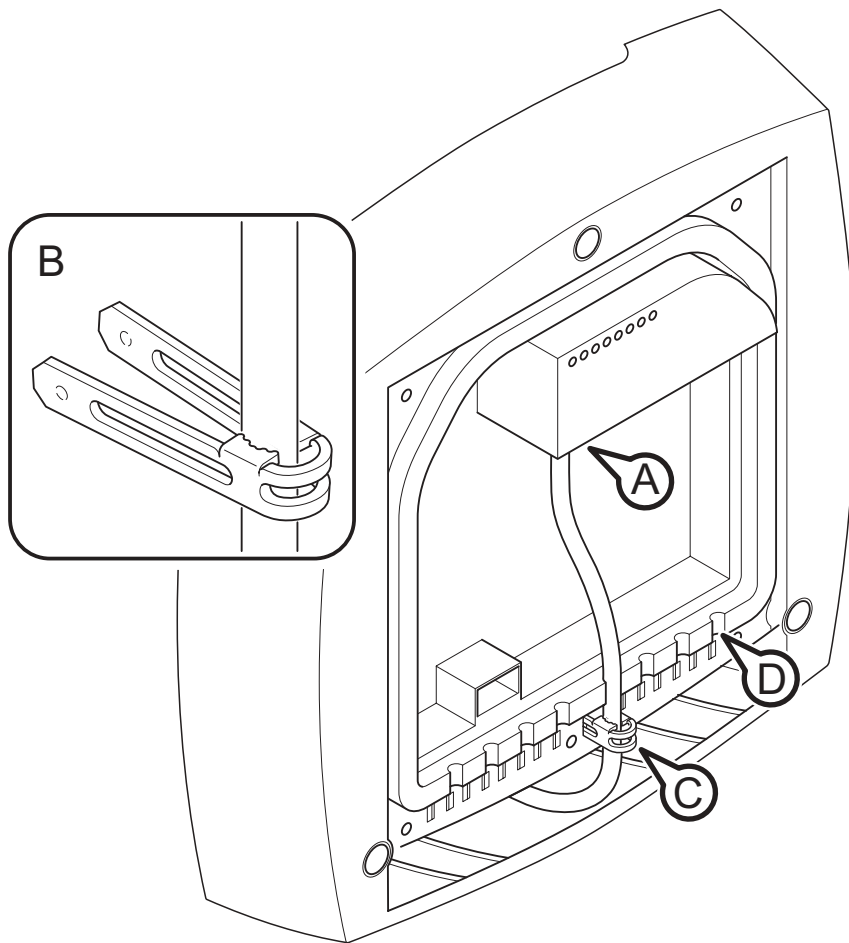


Figure 4-1 Connecting a cable and fitting the strain relief clamps

Follow the steps below to connect cables to the SCALANCE W786.

1. Connect the cables to the appropriate contacts. (Position **A** in the figure above) You have the following options:
 - Connect cables preassembled with a connector (Ethernet, antennas) by inserting the connector into the appropriate socket. Secure antenna cables by tightening the sleeve nut of the connector (key size SW8). You will find more information on this topic in the sections "Connection for Industrial Ethernet" and "Connections for external antennas".
 - 48 V DC power supply. Use the connector supplied with the SCALANCE W786. For details of the terminal assignment, refer to the section "Connectors for the power supply".
 - 12 - 24 V DC or 110 - 230 V AC power supply. With these power supplies, you require a power supply adapter (do not ship with the SCALANCE W786). You will find more information in the section "Connecting a power supply adapter".
2. Fit a strain relief clamp to the connected cable. The toothed part of the clamp must enclose the cable completely (as shown by position **B** in the figure above).
3. Press the strain relief clamp into the housing until the cable is located completely in the opening in the housing seal (position **C** in the figure above).

4. Seal all openings not required for cables with sealing plugs (position **D** in the figure above).
5. Fit these sealing plugs in a strain relief clamp. The lower surrounding notch must be enclosed by the tothing of the strain relief clamp (as shown in the figure below). Press the strain relief clamp into the housing until the sealing plug is located completely in the opening of the housing seal.

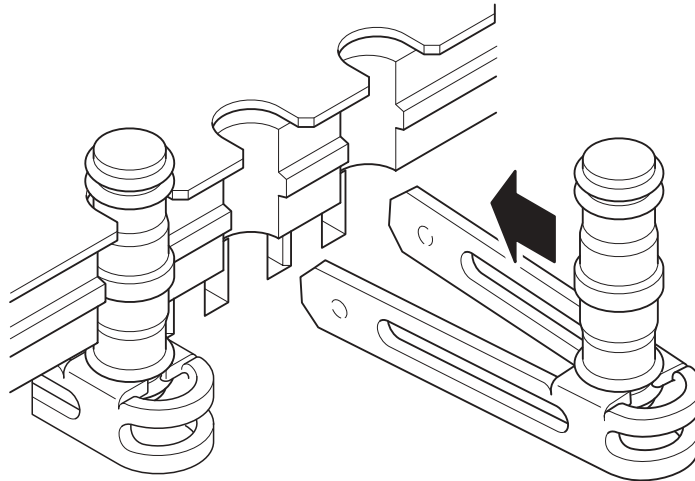


Figure 4-2 Securing a sealing plug with a strain relief clamp

Note

Keep unused sealing plugs and strain relief clamps for later use.

Points to note when connecting an oval FO cable

The oval FO cable specified for use with the SCALANCE W786 does not have a circular cross section. As a result, remember the following points when connecting up such cables.

Gasket

Fit the supplied adhesive sealing foil at the point where the cable goes through the housing seal. Only then will you achieve perfect sealing of the housing. Follow the steps outlined below:

1. Remove the protective foil and wind the adhesive sealing foil completely around the oval FO cable at the appropriate position **transverse** to the cable.

Strain relief clamp

When you fit the strain relief clamp, make sure that the FO cable is in the correct position. The shorter sides of the cable must make contact with the tothing of the strain relief clamp.

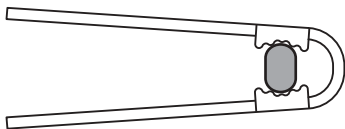


Figure 4-3 View from above with an FO cable inserted in the strain relief clamp

4.4 Connectors for the power supply of the SCALANCE W786

Possible power supplies

The following power supplies are suitable for the SCALANCE W786:

- 48 V DC direct voltage
Use the two-pin connector supplied with the SCALANCE W786.
- 12 - 24 V DC direct voltage
Use the power supply adapter 12 - 24 V DC available as an accessory.
- 110 - 230 V DC direct voltage
Use the power supply adapter 110 - 230 V DC available as an accessory.
- Power over Ethernet (PoE)
If an eight-wire Ethernet cable is used, it is possible to supply power over the four wires that are not used as data lines. As an alternative, the voltage can be modulated onto the data lines ("phantom power").
If a Fast Connect Ethernet connector is used to allow cable assembly in the field and due to its greater mechanical strength, you can only use four-wire cables. In this case, only phantom power is possible. This does not represent a restriction for the user because PoE-compatible power equipment always provides both options.

Procedure for connecting the supplied connector for 48 V DC

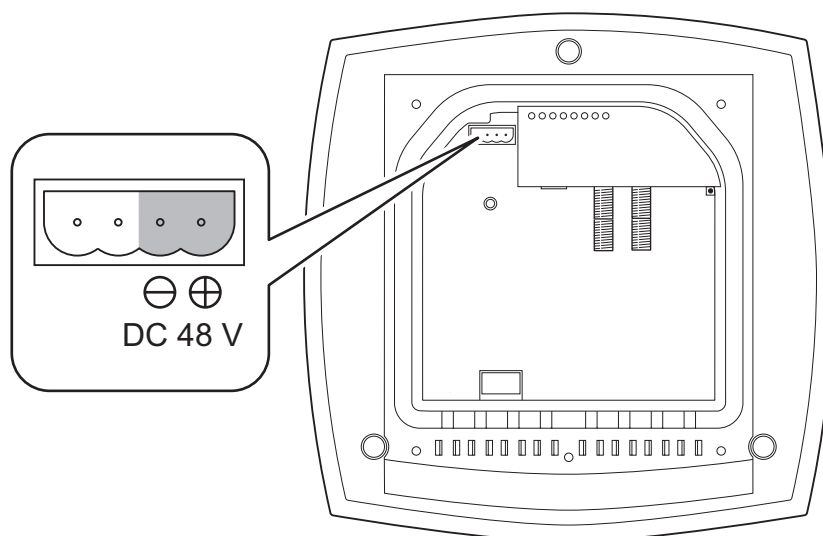


Figure 4-4 Position of the opening in the housing for the power supply with the housing cover removed

Perform the following steps to connect a 48 V DC cable to a SCALANCE W786:

1. Connect the supplied connector to the 48 V DC cable. The figure above shows the location of the socket in the housing and the contact assignment. The connector is safe against polarity reversal and can only be inserted in the right-hand half of the housing. When connecting the cores, you should therefore make sure that the connector is oriented as shown in the following figure.

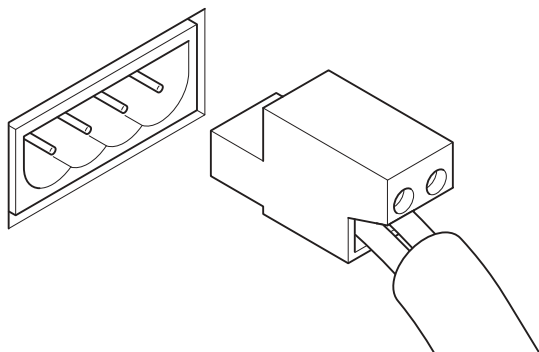


Figure 4-5 Position of the connector when inserted in the socket of the housing

2. Press the connector into the socket in the housing until it engages.
3. Secure the power cable with a strain relief clamp. For more detailed information on this topic, refer to the section "Connecting the cables".

4.5 Connecting a power supply adapter

Input voltage options

The optional power supply adapter is available in two versions:

- Power supply adapter for 12 - 24 V DC direct voltage
- Power supply adapter for 110 - 230 V AC alternating voltage

Note

Applies only to SCALANCE W786-3xx

If a SCALANCE W786-3xx is operated with diversity for three antenna pairs, the power for 12 - 24 V DC cannot be supplied redundantly. In this case, there is no further opening in the housing for a second power cable.

How to fit the power supply adapter

 WARNING
--

Danger from line voltage

Power supply cables may only be connected when the power is turned off! Start up the SCALANCE W786 only after screwing the housing cover in place again so that protection from touching live parts is restored!

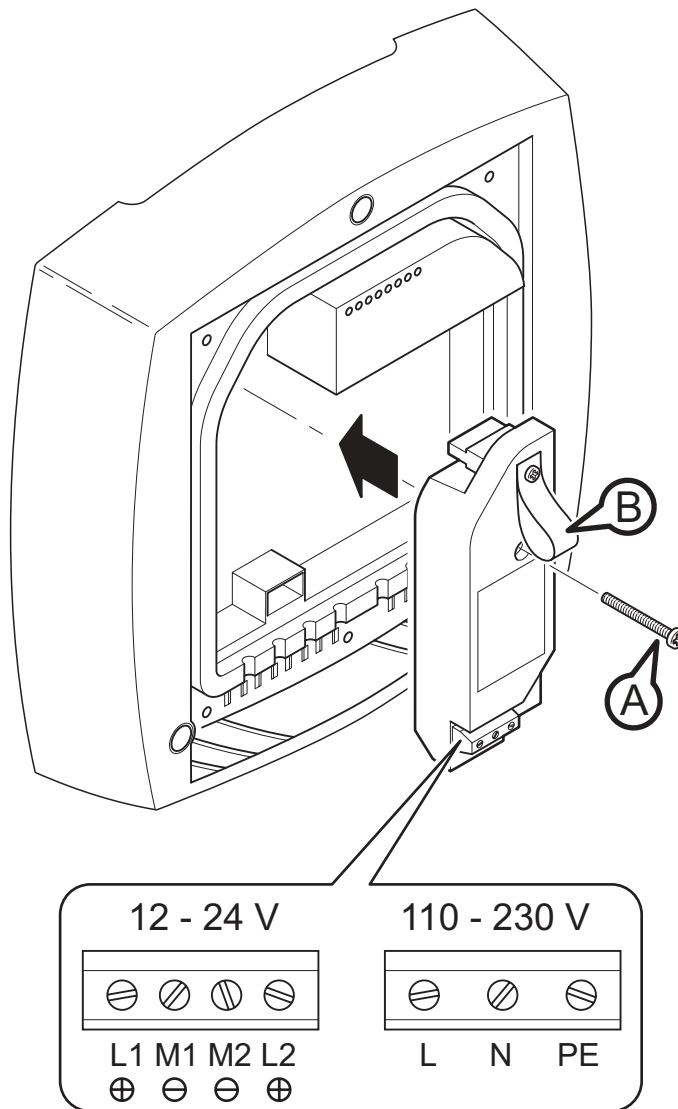


Figure 4-6 Using a power supply adapter in a SCALANCE W786

Follow the steps below to fit and connect a power supply adapter:

1. Fit the power supply adapter in the SCALANCE W786 as shown in the figure above. The connector on the rear of the power supply adapter must engage fully in the socket of the housing. The entire rear surface of the power supply adapter must make contact with the inner surface of the SCALANCE W786.

CAUTION


Only use the loop (position **B** in the figure above) to remove the power supply adapter from the SCALANCE W786! This prevents the connector skewing on the back of the power supply adapter and breaking off.

2. Connect the power supply adapter and the SCALANCE W786 with the screw supplied with the power supply adapter (position **A** in the figure above).

3. Connect the cable for the power supply. The assignment of the contacts is illustrated in the figure above.
4. Secure the power supply cable with a strain relief clamp. For more detailed information on this topic, refer to the section "Connecting the cables".

How to remove the power supply adapter

Follow the steps below to remove a power supply adapter from a SCALANCE W786:

 WARNING
Danger from line voltage Disconnect power supply cables only when the power to the power supply adapter is turned off!

1. Disconnect the power supply cable from the power supply adapter.
2. Loosen the securing screw of the power supply adapter (position **A** in the figure above).
3. Pull the loop (position **B** in the figure above) to remove the connector on the rear of the power supply adapter from the socket in the housing and remove the power supply adapter.

4.6 Connection for Industrial Ethernet

Device variants

With a SCALANCE W786, you have the choice of two Ethernet ports:

- RJ-45 jack
- ST duplex socket for multimode FO cables 1310 nm and a maximum cable length of 3000 m

Procedure for connecting an Ethernet cable

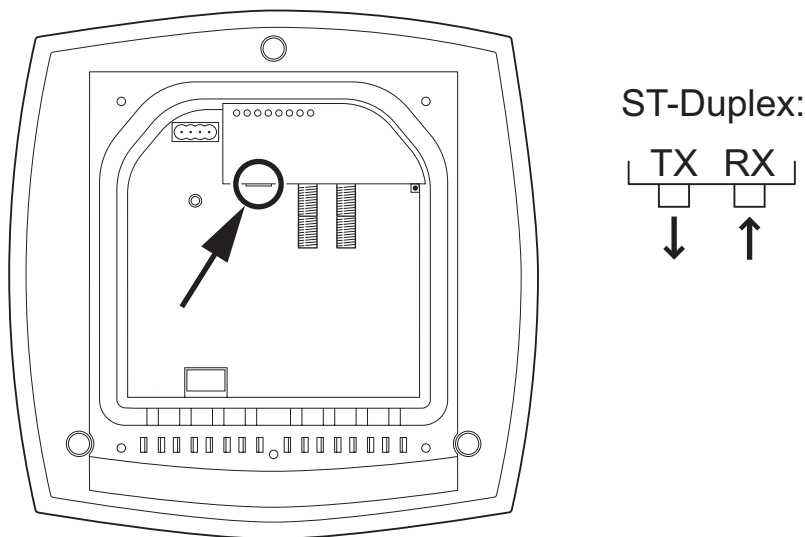


Figure 4-7 Position of the Ethernet port with the housing cover removed

Perform the following steps to connect an Ethernet cable to a SCALANCE W786:

1. Insert the connector of the Ethernet cable in the corresponding socket of the SCALANCE W786. If you use FO cables, make sure that the transmit and receive lines are correctly connected. The location of the socket for RX and TX is shown in the figure above.
2. Secure the Ethernet cable with a strain relief clamp. For more detailed information on this topic, refer to the section "Connecting the cables".

4.7 Connectors for external antennas

How to connect external antennas

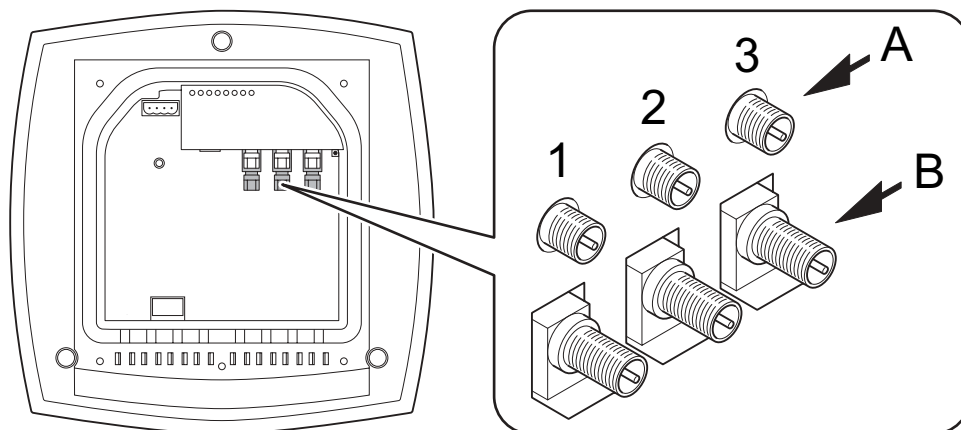


Figure 4-8 Position of the ports for external antennas with the housing cover removed

For each WLAN port, there are two R-SMA sockets on a SCALANCE W786 to connect external antennas. The figure above shows how the R-SMA sockets are assigned to the WLAN ports. With a SCALANCE W786-1PRO, only the socket pair labeled "1" exists; with a SCALANCE W786-2PRO the sockets labeled "1" and "2" exist.

Perform the following steps to connect a cable for an external antenna to a SCALANCE W786:

1. Insert the connector on the antenna cable into the R-SMA socket and tighten the sleeve nut on the socket (key size SW8), tightening torque 0.6 Nm. If you want to use a port for two antennas, connect the line for antenna "B" first. After connecting the cable for antenna "A", the socket for "B" is not easy to reach.
2. Screw a terminating resistor to the unused socket if you use only one antenna on a port.
3. Secure the antenna cable(s) with a strain relief clamp. For more detailed information on this topic, refer to the section "Connecting the cables".

4.8 Inserting / removing the C-PLUG

Inserting the C-PLUG

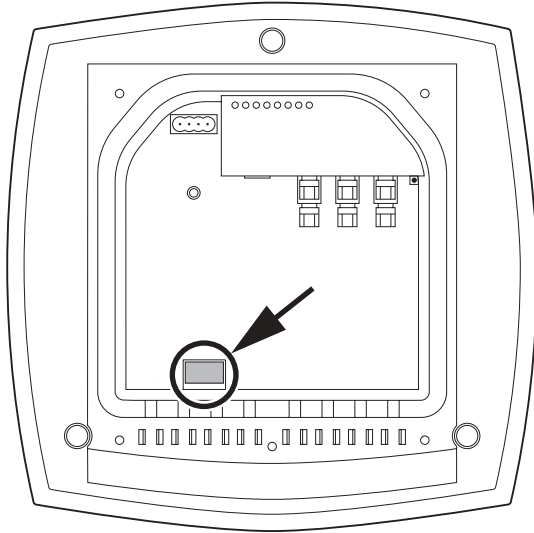


Figure 4-9 Location of the C-PLUG with the housing cover removed

The housing of the C-PLUG has a protruding ridge on the long side. The C-PLUG can only be inserted when this ridge is at the top right. The slot in the SCALANCE W786 has a corresponding groove at this position. Make sure that the C-PLUG is inserted completely into the slot.

Removing the C-PLUG

Insert a screwdriver between the right-hand front edge of the C-PLUG and the slot and release the C-PLUG.

Configuration / project engineering

5.1 Technical basics

5.1.1 Spanning Tree

Avoiding loops

The Spanning Tree algorithm detects redundant physical network structures and prevents the formation of loops by disabling redundant paths. It evaluates the distance and performance of a connection or bases the decisions on settings made by the user. Data is then exchanged only over the remaining connection paths.

If the preferred data path fails, the Spanning Tree algorithm then searches for the most efficient path possible with the remaining nodes.

Root bridge and bridge priority

The identification of the most efficient connection is always related to the root bridge, a network component that can be considered as a root element of a tree-like network structure. With the "Bridge Priority" parameter, you can influence the selection of the root bridge. The computer with the lowest value set for this parameter automatically becomes the root bridge. If two computers have the same priority value, the computer with the lower MAC address becomes the root bridge.

Response to changes in the network topology

If nodes are added to a network or drop out of the network, this may affect the optimum path selection for data packets. To be able to respond to such changes, the root bridge sends configuration messages at regular intervals. You can set the interval between two configuration messages with the "Hello Time" parameter.

Keeping configuration information up to date

With the "Max Age" parameter, you set the maximum age of configuration information. If a bridge has information that is older than the time set in Max Age, it discards the message and initiates recalculation of the paths.

New configuration data is not used immediately by a bridge but only after the period specified in the "Forward Delay" parameter. This ensures that operation is started with the new topology only after all the bridges have the required information.

5.1.2 iQoS

Client-specific bandwidth reservation

iQoS (Quality of Service) is a technique with which clients are assigned a certain bandwidth. Due to this assignment, there is a high probability that data transmission to these clients will be within a defined period. This technique can be useful when response times must be guaranteed.

5.1.3 Forced Roaming on IP Down

Functional description

"Forced Roaming on IP down" monitors the connection to a specific IP address cyclically. This is achieved using ICMP packets (Echo Request/Reply or Ping). If the IP connection aborts; in other words, there is no ping reply from the other end, a deauthentication frame is sent to all WLAN clients. The relevant WLAN interface is then disabled.

The IP connection continues to be monitored and the WLAN interface is enabled again as soon as the access point has received a ping reply from the pinged station.

The mechanism makes it possible, for example, to monitor a connection between wireless clients and a server. If the server can no longer be reached over the access point, the clients are deauthenticated and the WLAN interface of the access point is disabled. The clients roam and then connect to a different access point from which the server can be reached. As soon as the first access point can reach the server again, it re-enables its WLAN interfaces.

5.1.4 Link Check

Device-related connection monitoring

The Link Check function provides device-related connection monitoring for a maximum of ten wireless nodes logged on at the SCALANCE W78x. This service can be compared with the link on a wired connection. The function monitors whether the node is available over the wireless medium. If no packet is received from the node or sent successfully after half of the configured monitoring time, the SCALANCE W78x attempts to send a test packet to the node.

5.1.5 Redundancy

Redundant connection between two SCALANCE W78x devices

You can configure two SCALANCE W78x devices with two wireless interfaces so that there is a redundant wireless connection. The redundancy function causes an automatic failover to

the second wireless interface if no data transfer is possible on the first wireless interface. The user is informed of the status of the redundant connection with the statuses "not connected", "connected", or "error" (communication error).

5.1.6 IP-Alive

Application-related connection monitoring

The IP-Alive function provides application-related connection monitoring of the wireless link.

It is useful to use IP-Alive on IP connections when it is known that they are used to send data cyclically. With IP-Alive, you specify a monitoring time for an IP address and a port. If you do not want to monitor a particular port but rather only the data traffic from a particular IP address, simply enter 0 in Port. This resets the monitoring with each frame from this IP address.

In contrast to the Link Check, the SCALANCE W78x does not start any checks until the monitoring time has elapsed. The SCALANCE W78x checks passively whether communication took place during the specified monitoring period. As with Link Check, you can also enter up to ten connections here.

5.1.7 MAC-based communication

Auto Find Adopt MAC / Adopt MAC manually

Frames in the direction from the client to the access point always have the MAC address of the WLAN interface as the source MAC address. As a result, the learning table at the access point end always has only the MAC address of the WLAN interface of the client. If the MAC address of a device connected to the client is adopted, both the MAC-based and the IP-based frames find their destination in precisely this device.

Other nodes located downstream from the client cannot be reached. The access point checks whether the destination MAC address matches the MAC addresses of the connected clients. Since a client can only adopt one MAC address, the access point does not find a match and discards the packets of several nodes.

Maximum possible number of MAC nodes downstream from the client: 1

Notes on the "Auto Find Adopt MAC" setting:

- As long as there is no link on the Ethernet interface, the device uses the MAC address of the Ethernet interface so that it can be reached in this status. In this status, the device can be found using the Primary Setup Tool.
- As soon as there is a link on the Ethernet interface, the device adopts the source MAC address of the first received frame.

Note

From the moment that the device adopts another MAC address (whether manually or automatically), the device no longer responds to queries of the Primary Setup Tool when the query is received over the WLAN interface. Queries of the PST over the Ethernet interface continue to be replied to.

Adopt Own MAC (only for W746-1 and W747-1 or W746-1PRO and W747-1RR and W78x in client mode)

If IP-based frames need to be sent to a device connected downstream from the client, the default setting Adopt Own Mac can be retained. The client registers with the MAC address of its Ethernet adapter. The IP packets are broken down according to an internal table and forwarded to the connected devices (IP mapping).

Communication at the MAC address level (ISO/OSI layer 2) is then only possible with a component downstream from the client if its MAC address was adopted by the client.

Maximum possible number of MAC nodes downstream from the client: 1

Layer 2 tunneling (only for W746-1 and W747-1 or W746-1PRO and W747-1RR and W78x in client mode)

With layer 2 tunneling, the client provides information about the devices downstream from it when it registers with an access point. This makes it possible to enter the MAC addresses of these devices in the learning table of the access point. The access point can forward MAC-based frames for the devices downstream from the client to the appropriate client.

In much the same way as with WDS, a separate port is created for the L2T client over which the Ethernet frames are sent without changing the destination MAC address.

Maximum possible number of MAC nodes downstream from the client: 8

5.1.8 IP-based communication

IP mapping (only for W746-1 and W747-1 or W746-1PRO and W747-1RR and W78x in client mode)

If there is more than one device connected downstream from the client and these should only be addressed with IP frames, you can implement WLAN access for several devices with one client. With IP mapping, the client maintains a table with the assignment of MAC address and IP address to forward incoming IP frames to the correct MAC address.

Maximum possible number of IP nodes downstream from the client: 8

5.2 Assignment of an IP address

5.2.1 Structure of an IP address

Address classes to RFC 1518 and RFC 1519

IP address range	Max. number of networks	Max. number of hosts/network	Class	CIDR
1.x.x.x through 126.x.x.x	126	16777214	A	/8
128.0.x.x through 191.255.x.x	16383	65534	B	/16
192.0.0.x through 223.255.255.x	2097151	254	C	/24
Multicast groups			D	
Reserved for experiments			E	

An IP address consists of 4 bytes. Each byte is represented in decimal, with a dot separating it from the previous one. This results in the following structure, where XXX stands for a number between 0 and 255:

XXX.XXX.XXX.XXX

The IP address is made up of two parts, the network ID and the host ID. This allows different subnets to be created. Depending on the bytes of the IP address used as the network ID and those used for the host ID, the IP address can be assigned to a specific address class:

Subnet mask

The bits of the host ID can be used to create subnets. The leading bits represent the address of the subnet and the remaining bits the address of the host in the subnet.

A subnet is defined by the subnet mask. The structure of the subnet mask corresponds to that of an IP address. If a "1" is used at a bit position in the subnet mask, the bit belongs to the corresponding position in the IP address of the subnet address, otherwise to the address of the computer.

Example of a class B network:

The standard subnet address for class B networks is 255.255.0.0; in other words, the last two bytes are available for defining a subnet. If 16 subnets must be defined, the 3rd byte of the subnet address must be set to 11110000 (binary notation). In this case, this results in the subnet mask 255.255.240.0.

To find out whether two IP addresses belong to the same subnet, the two IP addresses and the subnet mask are ANDed bit by bit. If both logic operations have the same result, both IP addresses belong to the same subnet, for example, 141.120.246.210 and 141.120.252.108.

Outside the local area network, the distinction between network ID and host ID is of no significance, in this case packets are delivered based on the entire IP address.

Note

In the bit representation of the subnet mask, the "ones" must be set left-justified (there must be no "zeros" between the "ones").

5.2.2 Initial assignment of an IP address

Configuration options

An initial IP address for a SCALANCE W-700 cannot be assigned using Web Based Management or the Command Line Interface over Telnet because these configuration tools require that an IP address already exists.

The following options are available to assign an IP address to an unconfigured device currently without an IP address:

- DHCP (default)
- STEP 7
- NCM PC
- Primary Setup Tool

Note

DHCP is enabled as default and following "Restore Factory Defaults and Restart". If a DHCP server is available in the local area network, and this responds to the DHCP request of a SCALANCE W-700, the IP address, subnet mask and gateway are assigned automatically when the device first starts up. "Reset to Memory Defaults" does not delete an IP address assigned either by DHCP or by the user.

5.2.3 Address assignment with DHCP

Properties of DHCP

DHCP (Dynamic Host Configuration Protocol) is a method for automatic assignment of IP addresses. It has the following characteristics:

- DHCP can be used both when a device starts up and during operation.
- The assigned IP address remains valid only for a particular time known as the lease time. Once this period has elapsed, the client must either request a new IP address or extend the lease time of the existing IP address.
- There is normally no fixed address assignment; in other words, when a client requests an IP address again, it normally receives a different address from the previous address. It is, however possible, to configure the DHCP server so that it assigns a fixed address.

Note

DHCP uses a mechanism with which the IP address is assigned for only a short time (lease time). If the device does not reach the DHCP server with a new request on expiry of the lease time, the assigned IP address, the subnet mask and the gateway are changed to static entries.

The device therefore remains accessible under the last assigned IP address even without a DHCP server. This is not the standard behavior of office devices but is necessary for problem-free operation of the plant.

Since the DHCP client also sends a RELEASE to the server, the server can assign this address to a further device so that inconsistencies can occur within the network.

Remedy:

After disabling DHCP, you should therefore

- change the IP address of the device to an address not assigned by DHCP

or

- remove the IP address assigned to the device from the address pool of the DHCP server.

Working with a mixture of dynamic address assignment and statically assigned addresses is not advisable.

5.2.4 Address assignment with the Primary Setup Tool

Introduction

The PST (Primary Setup Tool) is capable of assigning such an address to unconfigured devices without an IP address.

Prerequisite

This is possible only when the devices have a default Ethernet (MAC) address and are reachable online in the network.

Note

For more detailed information, refer to the Primary Setup Tool configuration manual.

You will find the PST at Siemens Automation and Drives Service & Support on the Internet under entry ID 19440762. The URL for this entry is:

<http://support.automation.siemens.com/WW/view/en/19440762>

5.3 The wizards of Web Based Management

5.3.1 Introduction

Principle of Web Based Management

The SCALANCE W-700 has an integrated HTTP server for Web Based Management. If the SCALANCE W-700 is accessed by an Internet browser, it returns HTML pages to the client computer as specified by the selections made by the user.

Users enter the configuration data in the HTML pages sent by the SCALANCE W-700. The SCALANCE W-700 evaluates this information and generates response pages dynamically.

The great advantage of this method is that apart from a Web browser, no special software is required on the client.

Requirements for Web Based Management

Once you have assigned an IP address with the Primary Setup Tool, you can continue to configure the device with Web Based Management.

To use Web Based Management, you should ideally have a wired network connection between the SCALANCE W-700 and the client computer. In principle, it is also possible to use Web Based Management over a wireless network, however the SCALANCE W-700 can be set so that access over a wireless network is disabled.

We recommend that you use the Microsoft Internet Explorer Version 5.5 or higher or Mozilla Firefox Version 1.5 or higher.

All the pages of Web Based Management require JavaScript. Make sure that your browser settings allow this.

Since Web Based Management is HTTP-based, you will have to allow access to Port 80 or Port 443 for HTTPS if you have a firewall installed.

Note

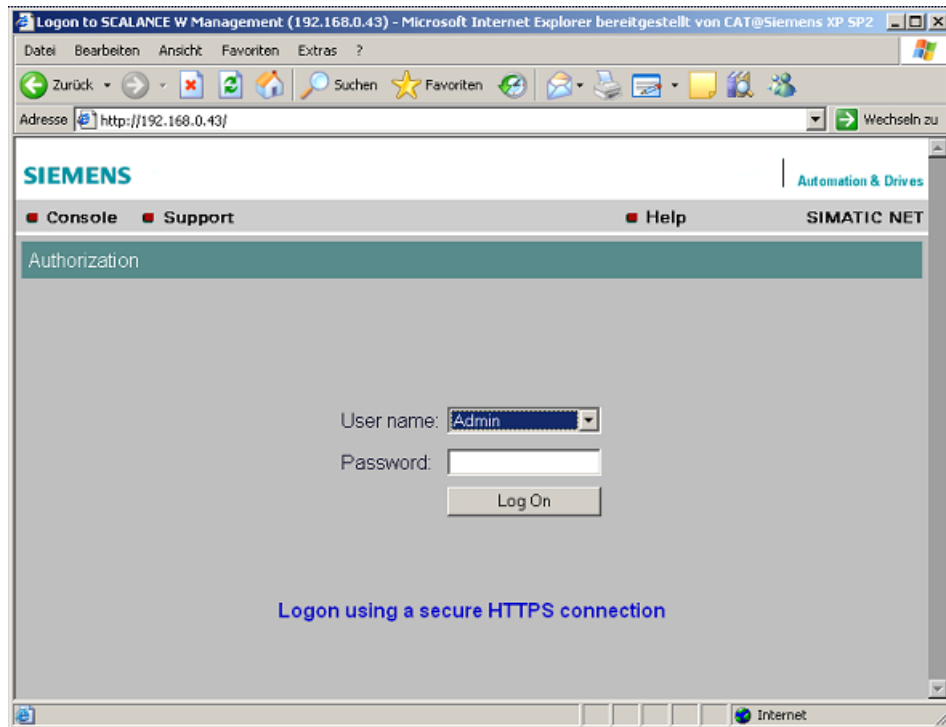
The screenshots in this section were created using the Microsoft Internet Explorer version 6.0. If you use a different browser (for example Mozilla), the appearance of the menus may differ.

5.3.2 Starting Web Based Management and logging on

Procedure

Follow the steps below to establish a connection to a device using a Web browser:

1. Enter the IP address or the URL of the SCALANCE W-700 in the address box of the Web browser. If there is a problem-free connection to the SCALANCE W-700, the Logon dialog of Web Based Management is displayed:



2. Open the "User name" drop-down list box and select the "Admin" entry if you want to change settings of the SCALANCE W-700 (read and write access). If you select the "User" entry, you will only have read access to the configuration data of the SCALANCE W-700.
3. Enter your password. If you have not yet set a password, the default passwords as shipped apply: Enter admin if you selected "Admin" as the user name or user if you selected "User".
4. Click the "Log On" button to start the logon.

Note

For the US variant of the SCALANCE W-700, the password for the "admin" user has been changed; it can, however, be obtained from Siemens Support by specialists for professional WLAN installation.

Connection over HTTPS

Web Based Management also allows you to connect to the device over the secure connection of the HTTPS protocol.

Use the "Logon using a secure HTTPS connection" link in the logon screen (see figure above) or enter "https://" and the IP address of the SCALANCE W7xx in the address box of the Web browser and confirm with Enter. The "Security Alert" warning is displayed and asks you whether you want to continue the action. Confirm with "YES". The Login dialog of Web Based Management opens.

5.3.3 Selecting the wizards

Basic Wizard, Security Wizard and iPCF-Wizard

Web Based Management provides several wizards that allow straightforward commissioning without detailed knowledge of wireless technology. A wizard consists of a series of screens in which you enter the basic configuration data.

The following wizards are available:

- **Basic Wizard**
For general settings to ensure the basic functionality of the device.
- **Security Wizard**
The wizard for the security settings supports you when setting security-related parameters.
- **iPCF Wizard**
This wizard is available for configuring iPCF (industrial Point Coordination Function).

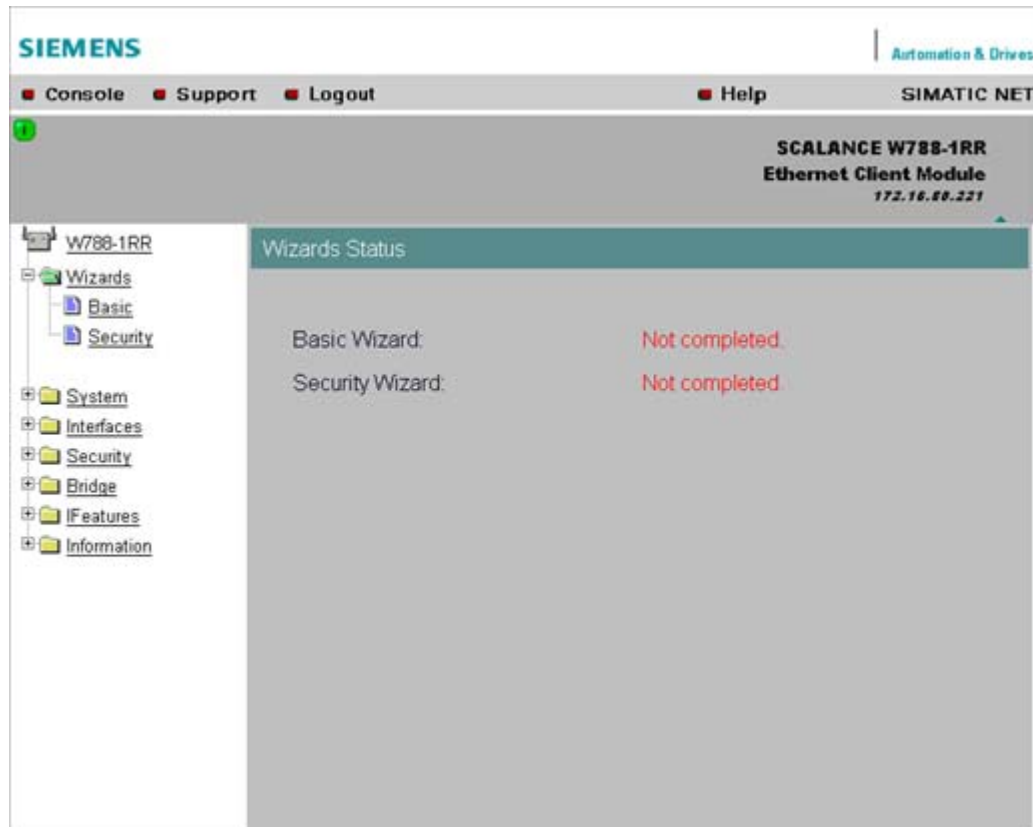
Note

The iPCF Wizard is available only for the following devices:

- SCALANCE W78x-xRR
 - SCALANCE W747-1
 - SCALANCE W747-1RR
-

Wizard status

After selecting the "Wizards" menu on the left-hand side of the dialog, the status of the wizards is displayed. When you have worked through a wizard completely, "Done" is displayed as the status. When you have worked through all the wizards, the "Wizards" entry also moves to the bottom end of the menu.



Note

Some pages of the wizards have a different content in access point mode and "Client" mode. In this case, there is a separate description for the alternatives.

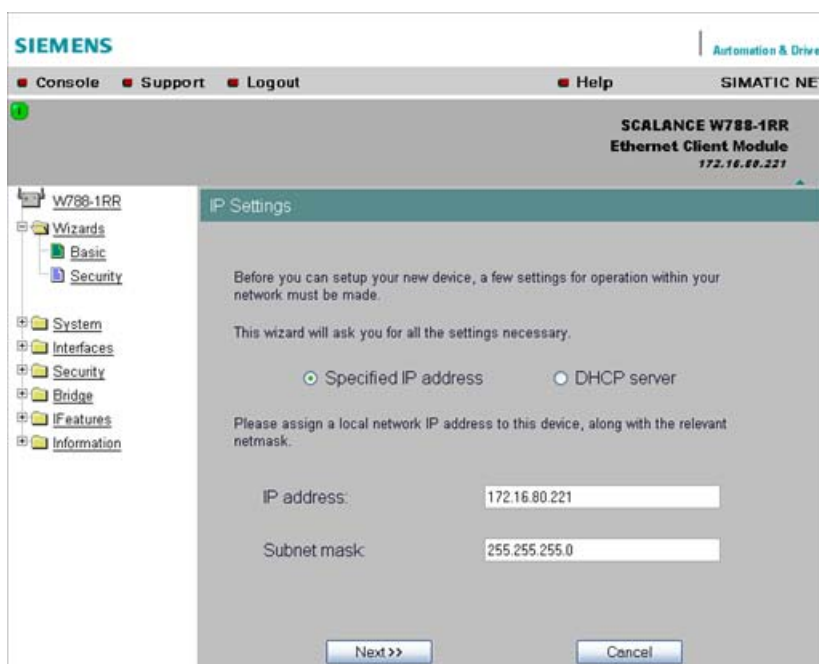
You can specify the mode in the "System" menu.

5.4 Basic Wizard

5.4.1 IP settings

Description

One of the basic steps in configuration of an Ethernet device is setting the IP address. The IP address identifies a device in the network uniquely. On this page, you enter the information for the IP configuration of the SCALANCE W-700.



Specified IP address / DHCP server check boxes

There are two methods of assigning IP addresses to devices: The IP address can be set as a fixed permanent address or can be obtained dynamically from a DHCP server. Select "Specified IP Address" if you do not use a DHCP server.

IP address input box

The IP address of the SCALANCE W-700. Here, you enter an address that is unique within the network.

Subnet mask input box

The subnet mask specifies the range of addresses within which communication can take place.

The four numbers of an IP address separated by periods are interpreted as a bit pattern. If a one is set at a bit position within the subnet mask, this means that only devices with an IP address that matches the IP address of the SCALANCE W-700 at this bit position can communicate with the SCALANCE W-700 management agent.

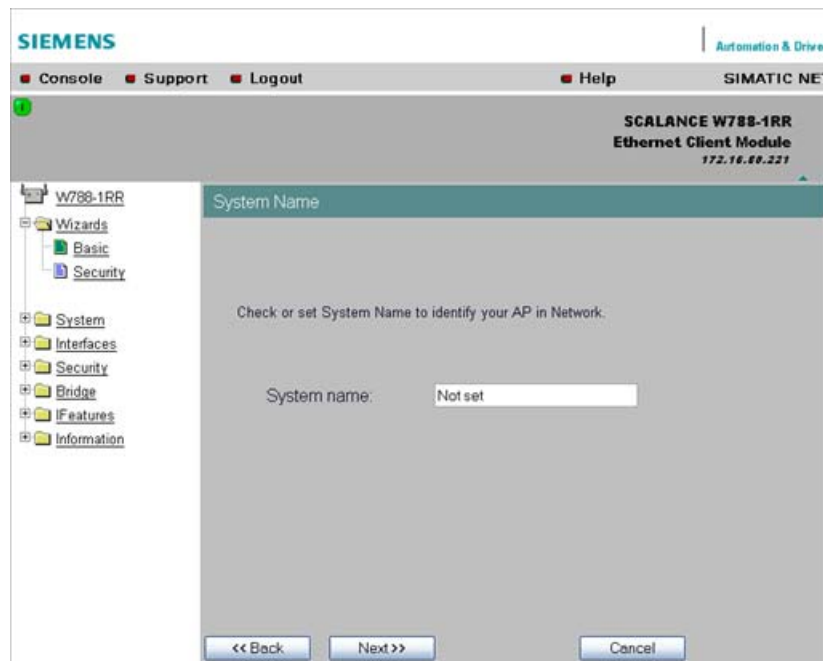
Example

Let us assume that the IP address of the SCALANCE W-700 is set to 192.168.147.189 and the subnet mask is set to 255.255.255.0. The bit pattern for 255 is 1111 1111. This means that the bit pattern of the first number of the IP address of a communication partner must match the bit pattern of the SCALANCE W-700 exactly at this point. The same applies to the second and third parts of the IP address. The IP address of a communication partner must therefore start with 192.168.147. The bit pattern of 0 is 0000 0000. This means that the bit pattern of the last part of the IP address of the partner device does not need to match the address of the SCALANCE W-700 at any point; in other words, it can be any number.

5.4.2 System name

Description

The system name identifies a network node but means more to the user than the IP address.



System name input box

In this box, you enter the system name for your SCALANCE W-700. This parameter corresponds to the "sysName" SNMP parameter. The system name can be up to a maximum of 255 characters long. If you also want to use this parameter for WDS or redundancy, the maximum length is 30 characters.

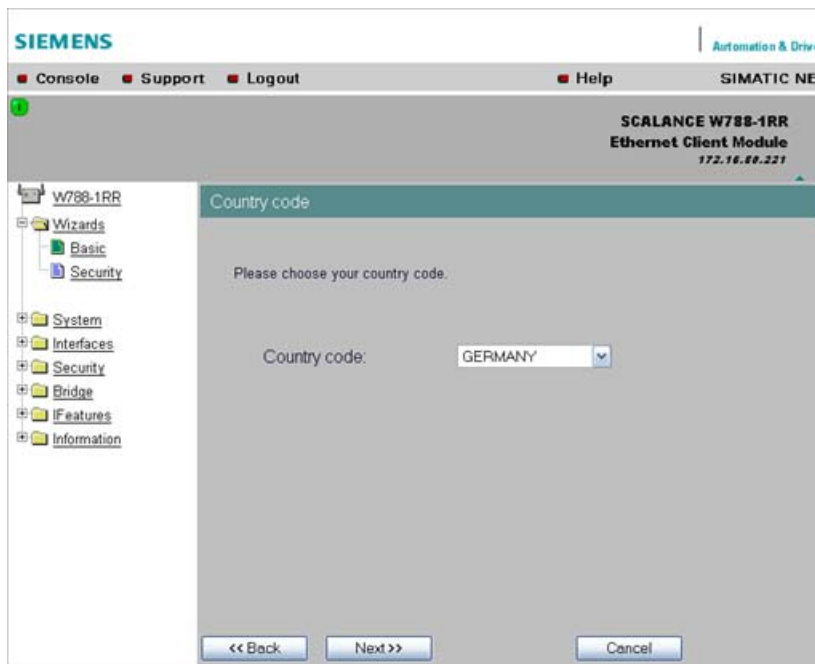
5.4.3 Country code

NOTICE

The correct country setting is mandatory for operation complying with the approvals. Selecting a country different from the country of use can lead to legal prosecution!

Description

Some countries have different frequency band divisions for WLAN communication. The regulations for maximum output power also differ from country to country. When you configure the SCALANCE W-700, you specify which local regulations are relevant for your location. You do this with the "Country Code" parameter.



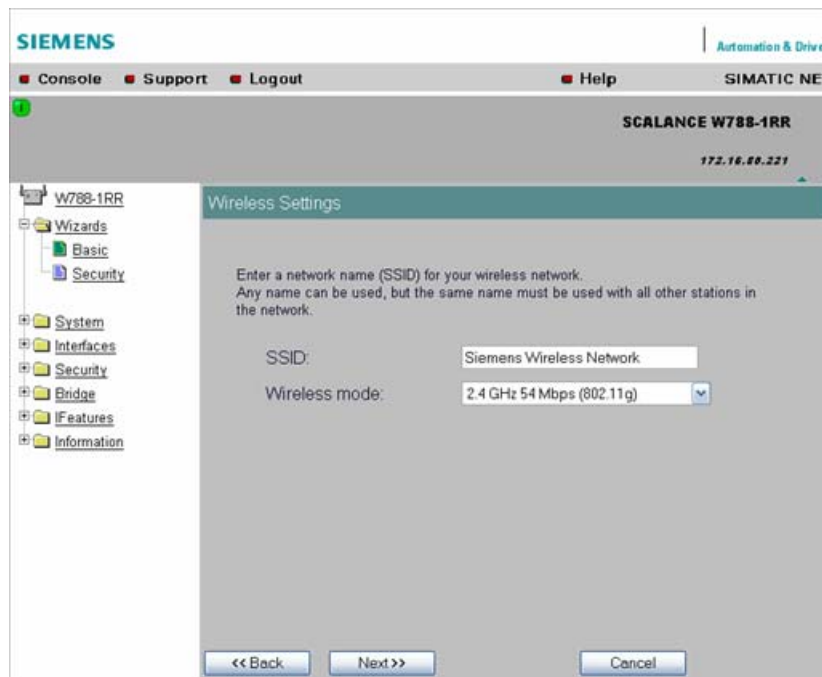
Country Code drop-down list box

In this list box, you select the country in which the SCALANCE W-700 will be operated. You do not need to know the data for the specific country, the correct channel division and transmit power are set by the SCALANCE W-700 according to the country you select.

5.4.4 Wireless settings in access point mode

Description

On this page, you specify the configuration of the wireless network. This includes the network name and the transmission mode. If you configure a SCALANCE W78x with several WLAN interfaces, this page is displayed for each WLAN interface. You can make different settings for each WLAN interface.



SSID input box

Enter the name of your network in this box. The SCALANCE W78x allows all characters except the percent character for the SSID. To ensure compatibility with partner devices, you should, however, not use any characters that are peculiar to a particular language (for example special German characters ä, ö etc.) or special characters in general. The string for SSID can be a maximum of 32 characters long.

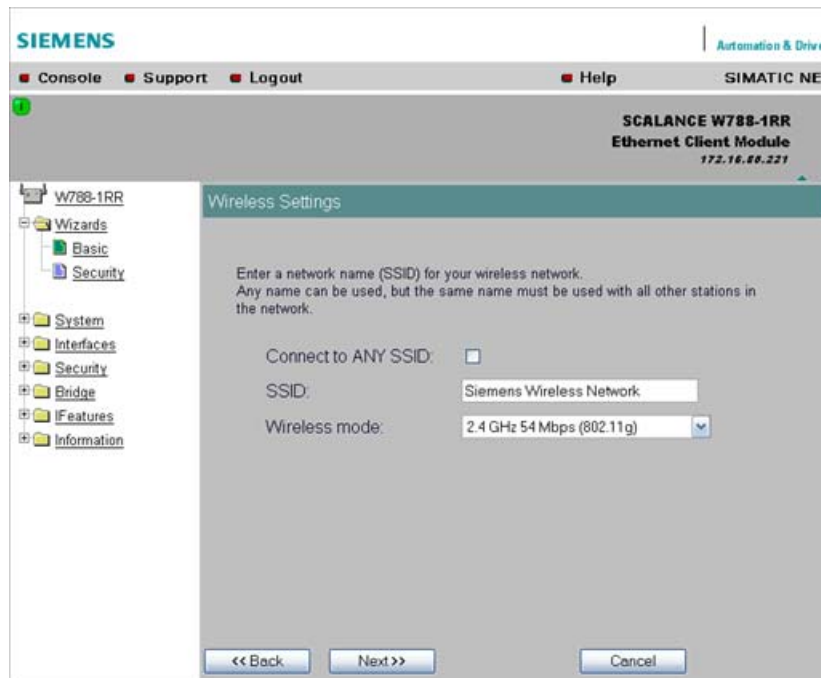
Wireless Mode drop-down list box

Select a wireless mode that is supported by all partner devices. If you are using a SCALANCE W78x with several WLAN interface, it is sometimes an advantage if you set a different transmission mode for each WLAN interface. This provides ideal support for different clients. The effect of the "802.11.b" or "802.11.g" setting is that all the settings in the "Advanced G" menu are taken into account as far as possible while retaining compatibility with devices conforming with IEEE 802.11 b.

5.4.5 Wireless settings in client mode

Description

In "Client" mode, you will also see the "Connect to ANY SSID" check box. The other settings correspond to those of the access point mode.



Connect to ANY SSID check box

When this check box is selected, the client connects to the access point that allows the best possible data transfer and to which a connection is permitted based on the security settings.

5.4.6 Adopt MAC Address settings (only for clients or access points in client mode)

Assigning the MAC address

A MAC address must be specified for the device connected to the Ethernet port of the SCALANCE W-700 client before it can be reached. This MAC address is used by the client for wireless communication with the access point.

There are several ways in which this can be done:

- If there is precisely one MAC address to be served downstream from the client, there are two ways of doing this:

- Automatically
The client adopts the source MAC address of the first frame that it receives over the Ethernet interface.
- Manual entry by the user.
- If there are up to eight MAC addresses to be served downstream from the client, "Layer 2 Tunneling" can be used:

This setting meets the requirements of industrial applications in which MAC address-based communication is required with several devices downstream from the client. Clients with this setting cannot connect to standard Wi-Fi devices and SCALANCE W700 access points with firmware V3.0 or older.

Note

The layer 2 tunneling setting is available only with the following model variants:

- SCALANCE W78x in client mode
 - SCALANCE W746-1PRO
 - SCALANCE W746-1
 - SCALANCE W747-1RR
 - SCALANCE W747-1
-

Note**IP mapping table**

If layer 2 tunneling is configured for a client, the IP mapping table is not displayed.

The SCALANCE W746-1PRO or W746-1 and SCALANCE W747-1RR or W747-1 devices as well as SCALANCE W78x devices operating in client mode can provide access to a wireless network for several Ethernet devices (IP mapping). For an access point with MAC filtering, only one MAC address is visible to the SCALANCE W700 client, there can be no filtering according to the MAC addresses of the Ethernet devices.

Note**Configuration limits**

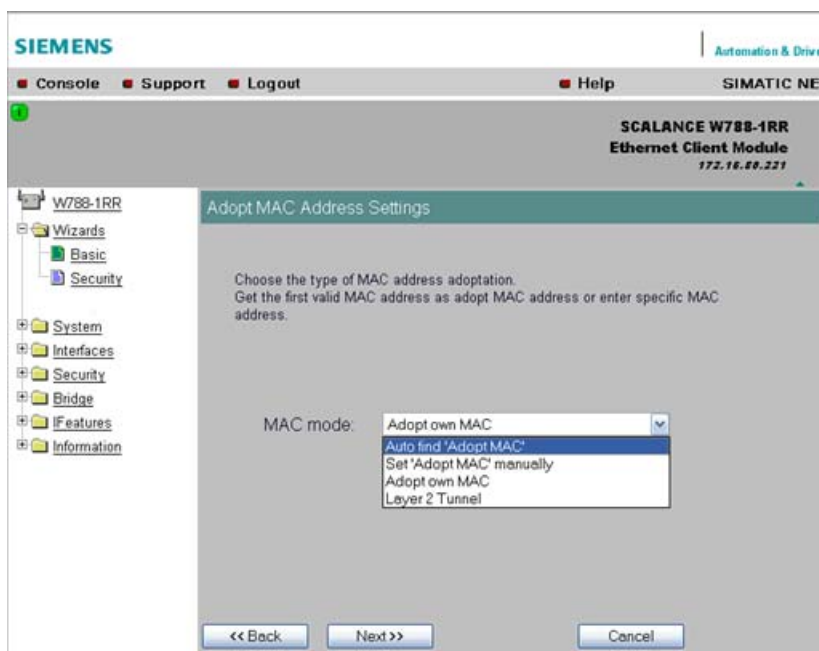
Several MAC nodes (for example PROFINET IO devices) are connected to the Ethernet interface of a client module and the "AdoptMAC" parameter is set to "Layer 2 tunneling". The following configuration limits apply for reliable communication:

- No more than 8 nodes may be connected downstream from the L2T client.
 - When transferring cyclic PROFINET IO data in iPCF mode, remember that the sum of the user data of all nodes connected to the client must not exceed a value of 2,300 bytes per cycle. This also includes the frame header. A SIMATIC user must therefore take into account not only the net data during configuration but also the headers.
-

MAC mode drop-down list box

Here, select how the SCALANCE W700 client obtains a MAC address. The following are possible:

- **Auto find 'Adopt MAC'**
The SCALANCE W700 client automatically adopts the source MAC address of the first frame that it receives over the Ethernet interface.
- **Set 'Adopt MAC' manually**
You enter the MAC address manually.
- **Adopt own MAC** (not for SCALANCE W744-1PRO / W744-1)
As a client, the SCALANCE W700 uses the MAC address of the Ethernet interface for the WLAN interface.
- **Layer 2 Tunneling** (not for SCALANCE W744 1PRO / W744-1)
As a client, the SCALANCE W700 uses the MAC address of the Ethernet interface for the WLAN interface. The network is also informed of the MAC addresses connected to the Ethernet interface of the SCALANCE W700 client.



Adopt MAC input box

If you have selected the "Set 'Adopt MAC' manually" check box, here you will need to enter the MAC address of the device connected over Ethernet to the SCALANCE W700 operating in client mode.

If you do not want layer 2 communication to be handled over the SCALANCE W700 operating in client mode, but only want higher-layer IP-based frames sent to one or more connected devices, you can also leave the default setting "Adopt Own Mac". In this mode,

the client registers with the MAC address of its Ethernet adapter. The IP packets are broken down according to an internal table and forwarded to the connected devices.

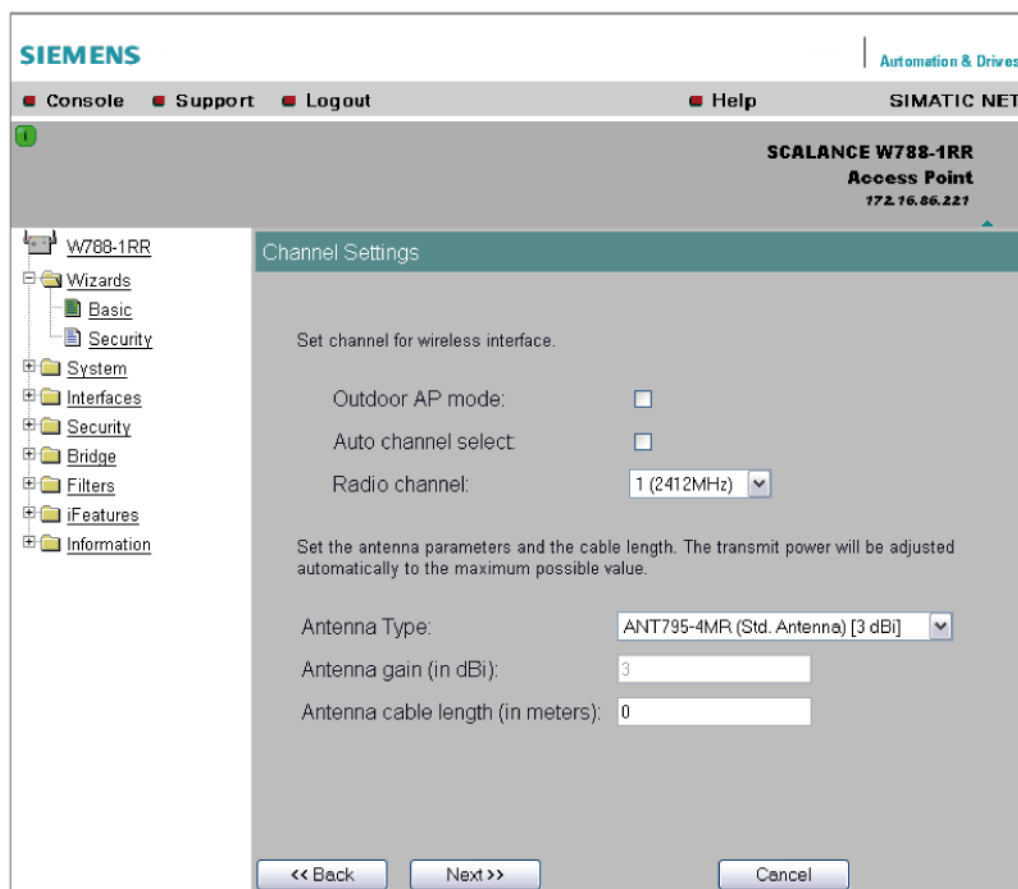
The "Adopt MAC" box is hidden in the "Auto find 'Adopt MAC' " and "Layer 2 Tunneling" modes.

5.4.7 Channel settings (in access point mode only)

Description

The SCALANCE W78x uses a specific channel within the frequency band for communication. You can either set this channel specifically or configure the SCALANCE W78x so that the channel is selected automatically. A specific channel must be set, for example, in the following situations:

- Communication suffers from interference from another device (for example microwaves) or another wireless network.
- Use of the redundancy function. In this case, two well spaced channels or two different frequency bands must be selected.
- Use of WDS. In this case, select a problem-free channel that is also used by the WDS partner.



Outdoor AP mode check box

Select this check box to enable the outdoor AP mode.

Auto Channel Select check box

Select this check box if you do not have any particular requirements regarding channel selection.

Radio Channel drop-down list box

Here, you select a channel suitable for your application. You can only select from this list if the "Auto Channel Select" check box is not selected. The entries in the list box depend on the previous selection made in the "Country code" box and on the mode (IEEE 802.11a, IEEE 802.11b, IEEE 802.11g, IEEE 802.11h).

Antenna Type drop-down list box (only for devices with external antennas)

Select the type of external antenna connected to the device.

Antenna gain (in dBi) input box (only for devices with external antennas)

If you selected the "User defined" entry in the "Antenna Type" drop-down list box, you can enter the antenna gain manually in the unit "dBi".

Antenna cable length (in meters) input box (only for devices with external antennas)

Enter the cable length between the device and the external antenna in meters.

Note

When the devices are supplied, the WLAN interfaces are deactivated (exception IWLAN/PB-Link PN IO). You can use these interfaces after you have worked through the Basic Wizard.

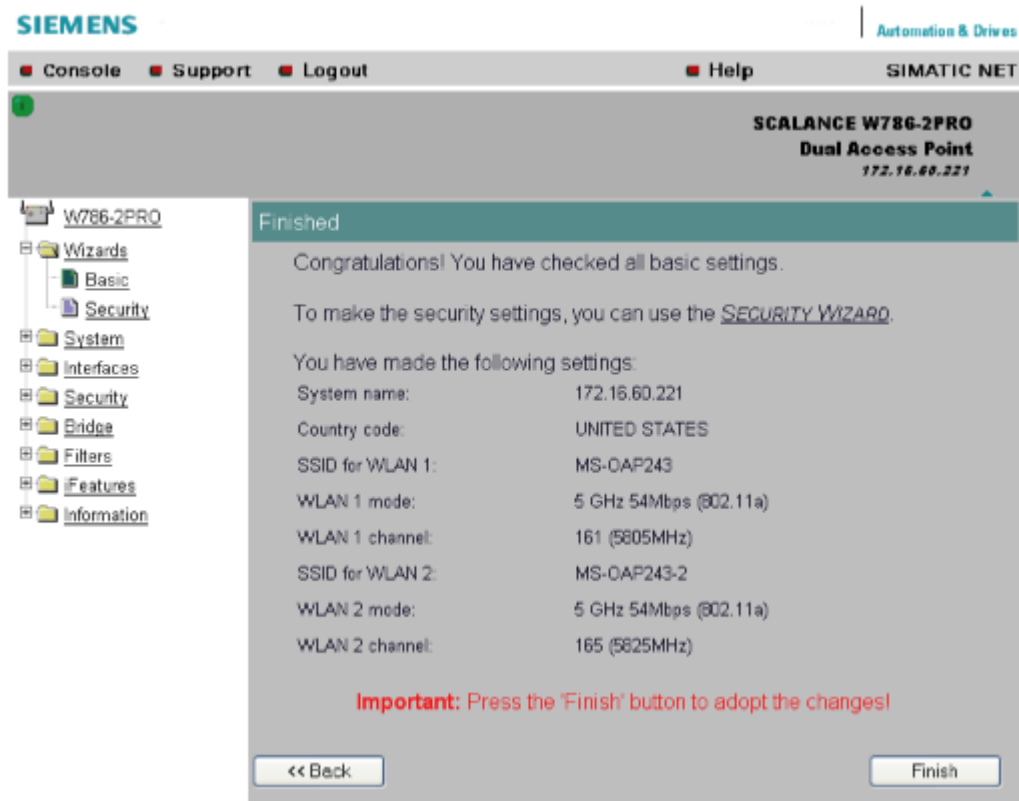
NOTICE

If you use a second or third WLAN interface, make sure that you have adequate channel spacing.
--

5.4.8 Closing the Basic Wizard

Description

This page displays the parameters you have selected when you have completed all the entries for the basic configuration. "Adopt MAC Address" is displayed only for an access point in client mode.



Finish button

Click this button to close the Basic Wizard and to log on again with the modified IP address.

5.5 Security Wizard

5.5.1 Introduction

With the Security Wizard, you can specify security-related parameters without detailed knowledge of security technology in wireless networks.

Note

The SCALANCE W700 can be operated even if you do not set the security parameters. Depending on the properties of your network, there is then, however, an increased risk of unauthorized access. You should therefore work through all the pages of the Security Wizard, so that you have at least basic security functions.

5.5.2 Security settings

Password

First, set a new admin password. Enter the string twice in the text boxes of this page. The password can be up to a maximum of 31 characters long.

When assigning the password, ASCII code 0x20 to 0x7e is used. The following characters are supported:

Numbers 0...9

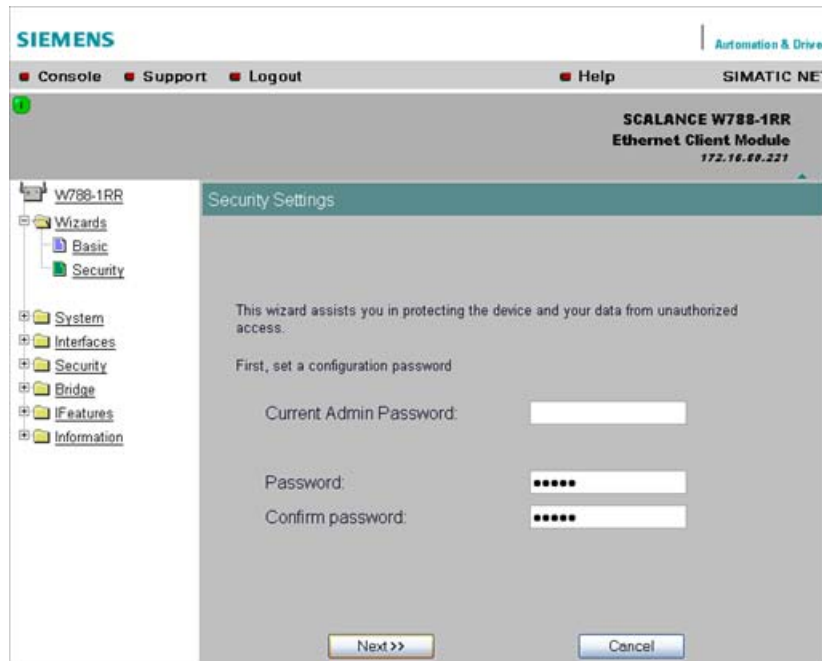
Letters abcdefghijklmnopqrstuvwxyz ABCDEFGHIJKLMNOPQRSTUVWXYZ

Special characters !"#%&'()*+,-./:;<=>?@[\\]^_`{|}~ and the blank

Until you set a password, the defaults set in the factory apply: The default password for the "admin" user is "admin". You can use the wizards only if you log on as administrator.

Note

For the US variant of the SCALANCE W-700, the password for the "admin" user has been changed; it can, however, be obtained from Siemens Support by specialists for professional WLAN installation.



5.5.3 Security settings for the management interfaces

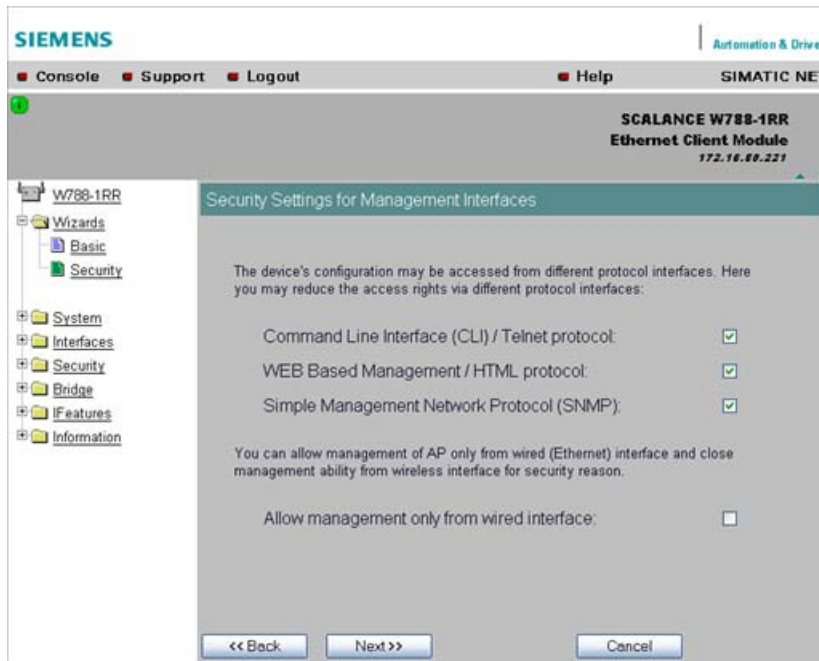
Protocols for configuration

On this page, you specify the protocols with which you access the configuration of the SCALANCE W700. All protocols with a selected check box can be used for configuration. You should only select protocols that you actually use.

The protocol settings only take effect after exiting the Security Wizard and restarting. Even after selecting the "Web Based Management" entry, you still have the option of returning to earlier pages or exiting the wizard.

Specifying the network type for configuration

It is easier to restrict access to a wired network than to a wireless network. Web Based Management allows access to the SCALANCE W700 for configuration to be restricted to computers linked to the SCALANCE W700 by a cable. If you require this, check the box at the bottom of the page.

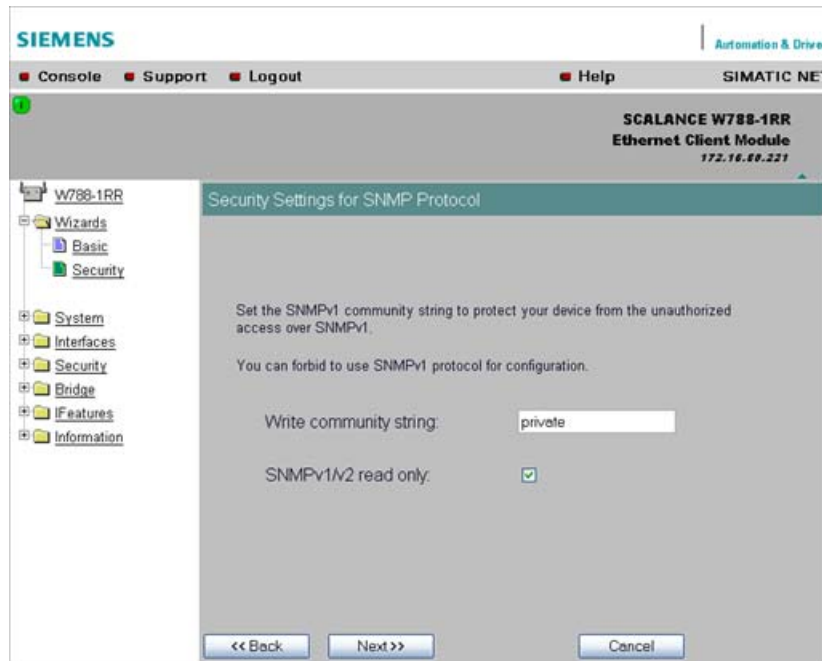


5.5.4 Security settings for the SNMP protocol

Access permissions when using the SNMP protocol

When using the SNMP protocol, you specify access permissions by means of the community string. A community string effectively combines the function of user name and password in one string; different community strings are defined for read and write permissions. More complex and more secure authentications are possible only in some SNMPv2 variants and in SNMPv3.

To preserve security, you should not use the default values "public" or "private".



Write Community String input box

Here, you enter the write community string (maximum of 63 characters) for the SNMP protocol.

Read Only check box

If you select this check box, only read access is possible with the SNMP protocol V1 or V2c.

5.5.5 Security settings for WLAN (page 1, only in access point mode)

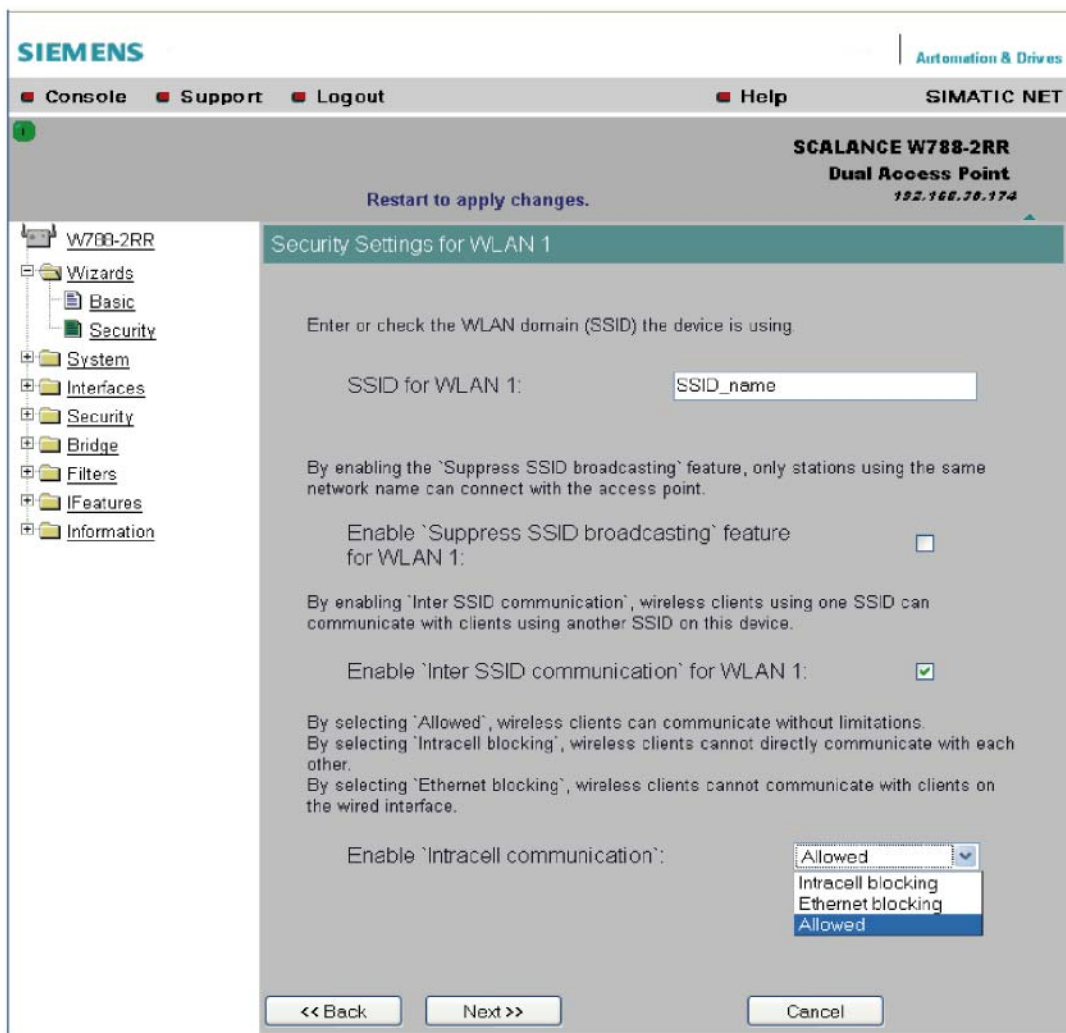
Description

On this page, you make the security settings, including, for example, the authentication and encryption. If you configure a model with several wireless adapters, this page appears for each adapter. You can make different settings for each wireless adapter.

Network-specific security settings

On the first page of the security settings, you select settings that apply regardless of protocol-specific restrictions. The basic measures for securing a network against unauthorized access involve

- allowing only certain clients (those that have entered the network name (SSID) of the AP) to communicate with the SCALANCE W78x.
- excluding clients that communicate over wireless connections from the wired part of the network.



SSID input box for WLAN 1

Enter the name of your network in this box (maximum of 255 characters, 32 characters if you use the redundancy function). To avoid any possible conflicts with settings for a specific locale on the computer, the name should not include any special German characters (ö, ä etc.).

Enable 'Suppress SSID broadcasting' feature for WLAN 1

Selecting this option means that the SSID is not visible for other devices. As a result, only stations for which the same network name was configured as for the SCALANCE W78x can connect to the SCALANCE W78x.

Note

Since no encryption is used for the SSID transfer, this function can only provide basic protection against unauthorized access. The use of an authentication method (for example WPA (RADIUS) or WPA-PSK if this is not possible) provides higher security. You must also expect that certain end devices may have problems with access to a hidden SSID.

Enable 'Inter SSID communication' option for WLAN 1

Selecting this option allows communication between WLAN clients registered at different SSIDs of an access point.

Example 1	A SCALANCE W786-3PRO was defined with different SSIDs.
Example 2	A SCALANCE W788-1PRO is used with multiple SSIDs.

Note

On a SCALANCE W78x-2/3xx, the Inter SSID Communication function must be enabled on all WLAN interfaces or on all VAPs to allow communication between the clients with different SSIDs.

Note

If VLANs are configured for the SSIDs, this setting can prevent communication between the SSIDs according to the VLAN rules.

Enable 'Intracell communication' list box

- Intracell blocking
This setting prevents WLAN client communication within an SSID.
- Ethernet blocking
This setting prevents WLAN client communication over the Ethernet interface of the access point.
- Disabled
This setting enables both WLAN client communication within an SSID as well as WLAN client communication over the Ethernet interface.

Overview of the communication options

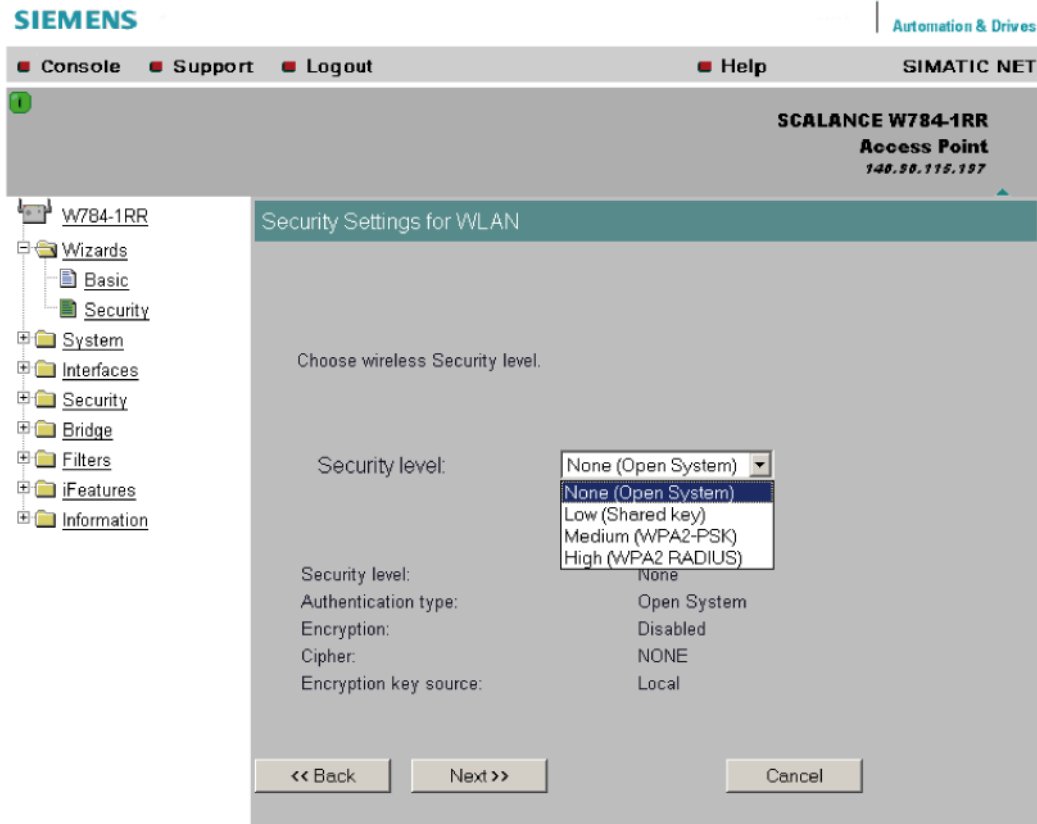
To illustrate the situation, there is an overview of the effects of the "Inter SSID communication" and "Intracell communication" settings below.

Settings		Possible communication		
Inter SSID communication	Intracell communication	within an SSID	with another SSID	to the Ethernet network
Enabled	Allowed	x	x	x
Enabled	Intracell blocking		x	x
Enabled	Ethernet blocking	x	x	
Disabled	Allowed	x		x
Disabled	Intracell blocking			x
Disabled	Ethernet blocking	x		

5.5.6 Security settings for WLAN (page 2)

Predefined security levels

Authentication and encryption are tried and tested methods for increasing security in networks. Web Based Management provides four predefined security levels that specify suitable methods.



The following table indicates what the various security levels involve.

Visible in wizard	Security level	Authentication	Encryption	Type of encryption	Encryption key source
x	None	Open System	disabled	without	not applicable
	None	Open System	enabled as option	WEP	local
x	Low	Shared Key	enabled	WEP	local
x	Medium	WPA2-PSK (preshared Key)	enabled	TKIP / AES / AUTO	local
x	High	WPA2 (RADIUS)	enabled	TKIP / AES / AUTO	Server
	Medium	WPA-Auto-PSK (preshared Key)	enabled	TKIP / AES / AUTO	local
	High	WPA-Auto (RADIUS)	enabled	TKIP / AES / AUTO	Server

Authentication

Authentication basically means that some form of identification is required. Authentication therefore protects the network from unwanted access. In the "Security Level" box, you can choose between the following types of authentication:

- **None (Open System)**
There is no authentication. Encryption with a fixed (unchanging) key can be selected as an option. To do this, define a key in the "Keys" menu. 5 or 13 ASCII or 10 or 26 hexadecimal characters specify a weaker key (40/104 bits). 16 ASCII or 32 hexadecimal

characters, on the other hand, define a strong key (128 bits). Then select "Encryption" in the "Basic WLAN" menu.

- **Low (Shared Key)**
In Shared Key authentication, a fixed key is stored on the client and access point. This is then used for authentication and encryption. In this case, you will have to store a WEP key after selecting "Low (Shared Key)".
- **Medium (WPA2-PSK)**
WPA2-PSK is based on the WPA2 standard, WPA authentication, but operates without a RADIUS server. Instead of this, a key (pass phrase) is stored **on every** client and access point and this is used for authentication and further encryption. AES or TKIP is used as the encryption method, AES represents the standard method.
- **High (WPA2)**
WPA2 (Wi-Fi Protected Access 2) is a further development of WPA and implements the functions of the IEEE 802.11i security standard. WPA2 uses the additional encryption protocol CCMP with preauthentication that allows fast roaming in mobile ad hoc networks. A client can log on in advance at several access points so that the normal authentication can be omitted.
A RADIUS server is used to authenticate the client with an access point. The client logs on at a RADIUS server based on a certificate (EAP-TLS) or a combination of user name and password (EAP-PEAP or EAP-TTLS / internal authentication method MSCHAPv2). As an option, the RADIUS server then identifies itself to the client using a certificate. Following successful authentication, the client and RADIUS server generate key material that is used for data encryption. AES or TKIP is used as the encryption method, AES represents the standard method.
- **Medium with WPA compatibility (WPA-Auto-PSK)**
Select the "Medium" security level and check the "WPA compatibility" box so that an access point can process both "WPA-PSK" authentication as well as "WPA2-PSK". This is necessary when the access point communicates with different clients, some using "WPA-PSK" and others "WPA2-PSK". The same encryption method must be set on the clients.
- **High with WPA compatibility (WPA-Auto)**
Select the "High" security level and check the "WPA compatibility" box so that an access point can process both "WPA" authentication as well as "WPA2". This is necessary when the access point communicates with different clients, some using "WPA" and others "WPA2". The same encryption method must be set on the clients.

Encryption

Encryption protects the transferred data from eavesdropping and corruption. You can only disable encryption in the "Encryption" check box if you have selected "Open System" for authentication in the "Basic WLAN" menu. All other security methods include both authentication and encryption. Various schemes are used for encryption:

- **WEP (Wired Equivalent Privacy)**
A weak, symmetrical stream encryption method with only 40- or 104-bit long keys based on the RC4 algorithm (Ron's Code 4).
- **TKIP (Temporal Key Integrity Protocol)**
A symmetrical stream encryption method with the RC4 algorithm (Ron's Code 4). In contrast to the weak WEP encryption, TKIP uses changing keys derived from a main key. TKIP can also recognize corrupted packets.

- **AES (Advanced Encryption Standard)**
Strong symmetrical block encryption method based on the Rijndael algorithm that further improves the functions of TKIP.
- **AUTO**
TKIP or AES is used depending on the capability of the other station.

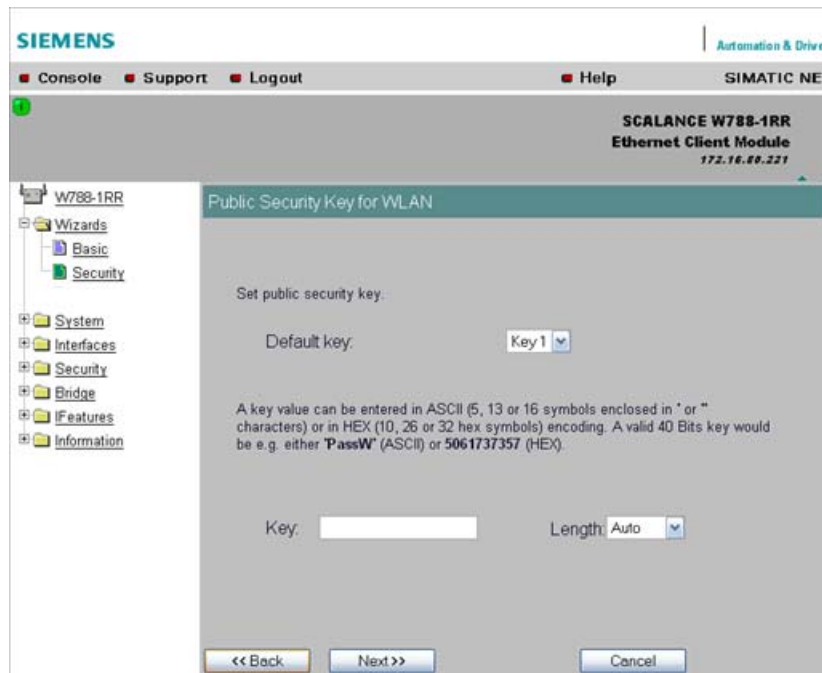
Encryption key source

The encryption key source indicates whether the key is configured locally and fixed (local) or whether it is negotiated by a higher protocol and an authentication server (server).

Security Level for WLAN drop-down list box

Select a security level that is supported by all clients. The content of the next page depends on the selected security level. If you select the security level "None", there is no following page since neither encryption nor authentication will be used.

5.5.7 Settings for the Low security level



Default key drop-down list box

Select the key you want to specify.

Key input box

Enter the character string for the key here. The key can be entered as ASCII characters or alternatively as hexadecimal digits (0 – F). If the key was entered in ASCII format, this is later displayed in quotes.

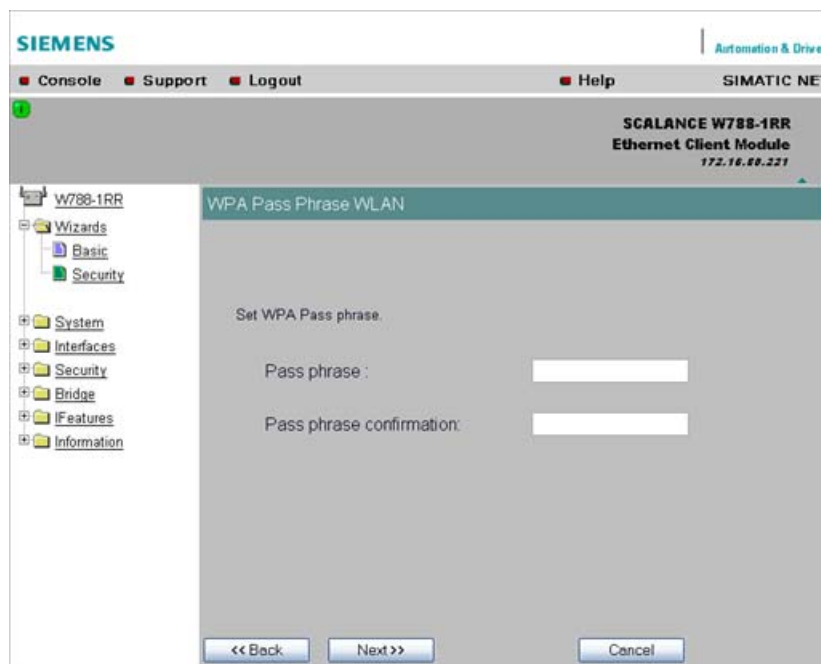
Length drop-down list box

Select the key length you want to use here. If the length of the string in the Key input box is longer or shorter than the selected key length, an error message is displayed. The following key lengths are possible:

- 40 bits (5 ASCII characters or 10 hexadecimal numbers)
- 104 bits (13 ASCII characters or 26 hexadecimal numbers)
- 128 bits (16 ASCII characters or 32 hexadecimal numbers)

With the "AUTO" setting, the maximum key length is also 128 bits.

5.5.8 Settings for the Medium security level



Pass phrase input box

Here, you enter a WPA2 key. The key can be 8 to 63 ASCII characters or exactly 64 hexadecimal characters long. This initialization key must be known on both the client and the SCALANCE W78x and is entered by the user at both ends.

Pass phrase confirmation input box

Here, you confirm the entered WPA2 key.

Note

The key can be 8 to 63 ASCII characters or exactly 64 hexadecimal characters long. It should be selected so that is complex for example consisting of random numbers, letters (upper-/lowercase), have few repetitions and special characters). Do not use known names, words or terms that could be guessed. If a device is lost or if the key becomes known, the key should be changed on all devices to maintain security.

5.5.9 Settings for the High security level in access point mode

RADIUS server	Primary	Backup
IP address:	0.0.0.0	0.0.0.0
Destination port:	1812	1812
Shared Secret:		
Confirm Shared Secret:		
Maximum retransmissions:	2	2

Reauthentication input box

Here, you decide whether the access point initiates a reauthentication for the clients. You can also select who sets the time after which the clients are forced to a reauthentication. If time management is local, enter the period of validity of the authentication in seconds. The minimum time is 1 minute (enter 60), the maximum time is 12 hours (enter 43200). The default is 1 hour (3,600 seconds).

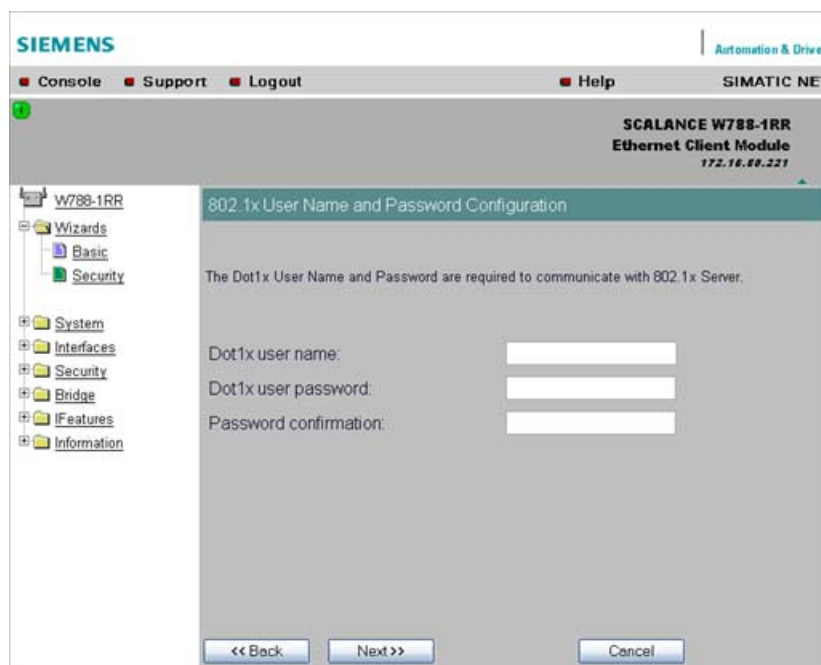
RADIUS Server input box

You can enter the data for two RADIUS servers; the information in the "Backup" column is used if the server defined in the "Primary" column is not available.

5.5.10 Settings for the High security level in "Client" mode

Note

The following information applies only to SCALANCE W74x clients or SCALANCE W78x access points operating in client mode.



Dot1x user name input box

Here, enter the user name with which you want to register over the RADIUS server.

Dot1x user password input box

Here, enter the password for the above user name. The client logs on with the RADIUS server using this combination when a logon with a certificate was not possible.

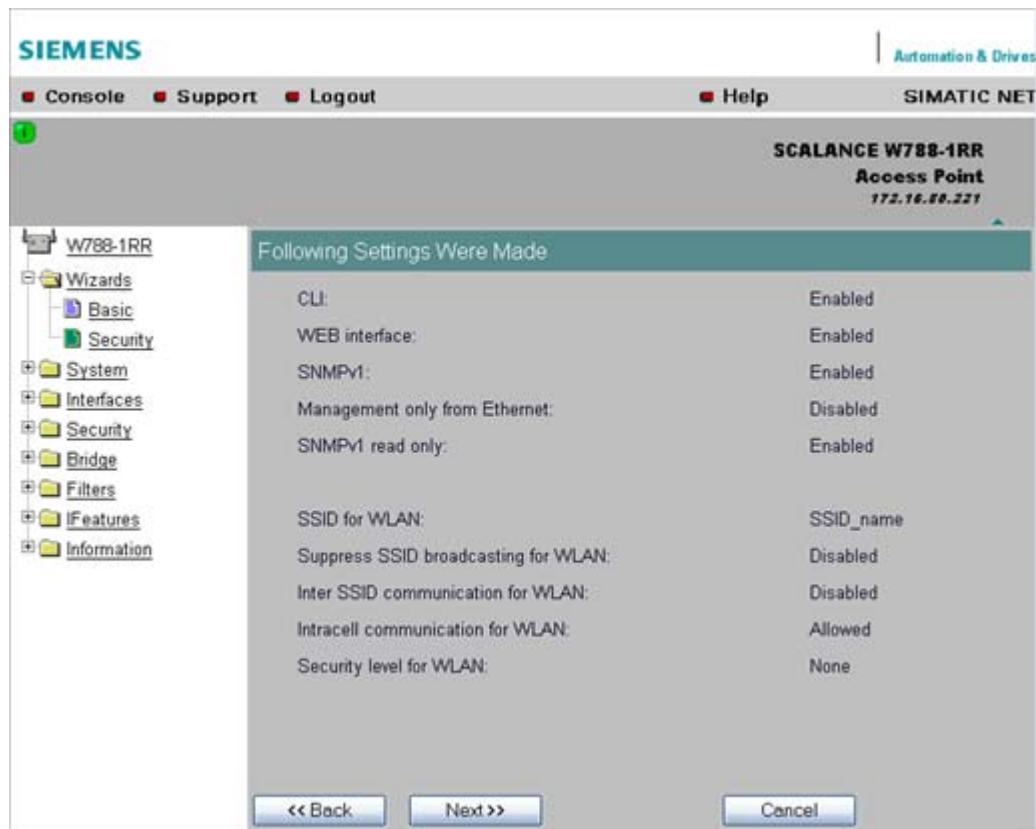
Password confirmation input box

Confirm the password here.

5.5.11 Overview of the selected security settings for an access point

Settings after working through the Security Wizard

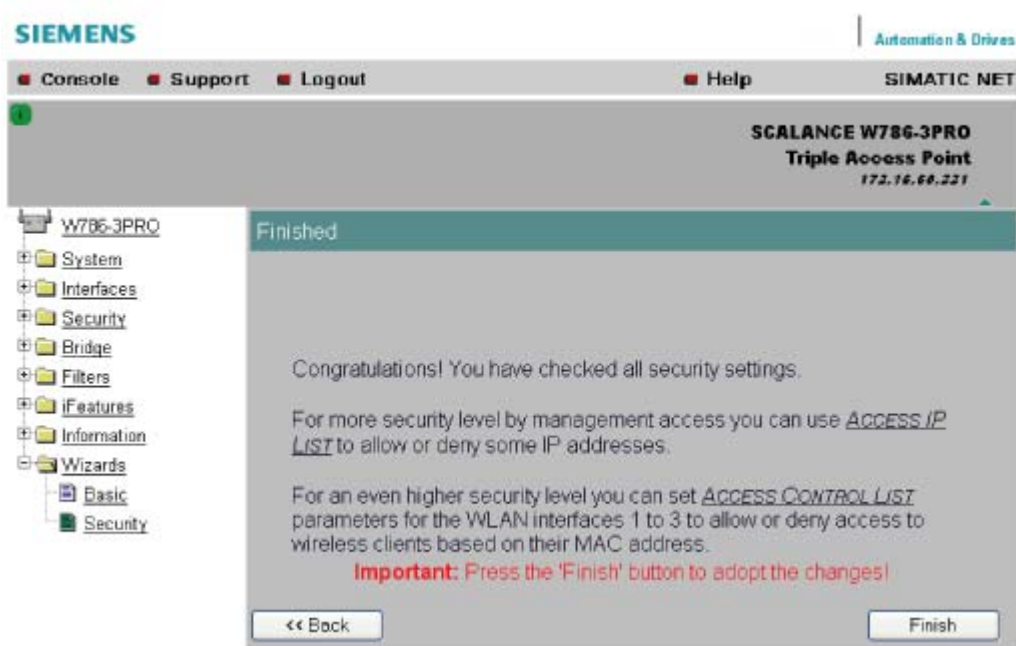
This page contains an overview of the selected security settings. If you want to change a setting, you can click the "Back" button to return to a previous page where you can enter a different value or make a different selection. This page shows less information in client mode.



5.5.12 Exiting the Security Wizard

Further security settings

The last page of the wizard indicates other security measures that you can take.



Finish button

Click the Finish button to apply the data and exit the wizard. Your settings only take effect after you have restarted (**System > Restart** menu).

5.6 Configuration with Web Based Management

5.6.1 General information on Web Based Management

Navigation bar

You will find the following links in the upper menu bar of Web Based Management (WBM):

- Console
This link opens a console window in which you can enter CLI commands.
- Support
When you click this link, you open a SIEMENS AG support page in the Internet.
- Logout
Close the current Web Based Management session by clicking on this link. The logon dialog is then displayed again.
- Help
Clicking on this link opens the online help of Web Based Management in a separate browser window.

Updating the Display with Refresh

Web Based Management pages that display current parameters have a "Refresh" button at the lower edge of the page. Click this button to request up-to-date information from the device for the current page.

Saving entries with Set Values

Pages in which you can make configuration settings have a "Set Value" button at the lower edge. Click this button to save the configuration data you have entered on the device.

Creating entries with NEW

Pages in which you can create lists have the "New" button at the lower edge. Click this button to create a new entry in the list.

Resetting a counter with Reset Statistics

With this button, you can reset the relevant counters.

Note on Login User

If you log on as user, you will only have restricted use of WEB and Telnet. Since you only have read access, some commands do not exist in Telnet and some areas cannot be selected.

Required experience

To be able to use the information in this chapter effectively, you should have a thorough knowledge of network technology and WLANs.

5.6.2 The LED simulation of Web Based Management

Display of the operating state

The SCALANCE W-700 has one or more LEDs that provide information on the operating state of the device. Depending on its location, direct access to the SCALANCE W-700 may not always be possible. Web Based Management therefore displays simulated LEDs.

Activating the simulation

There is an HTML-based simulation of the LED status. Click on the green icon below the Console link to activate the simulation.

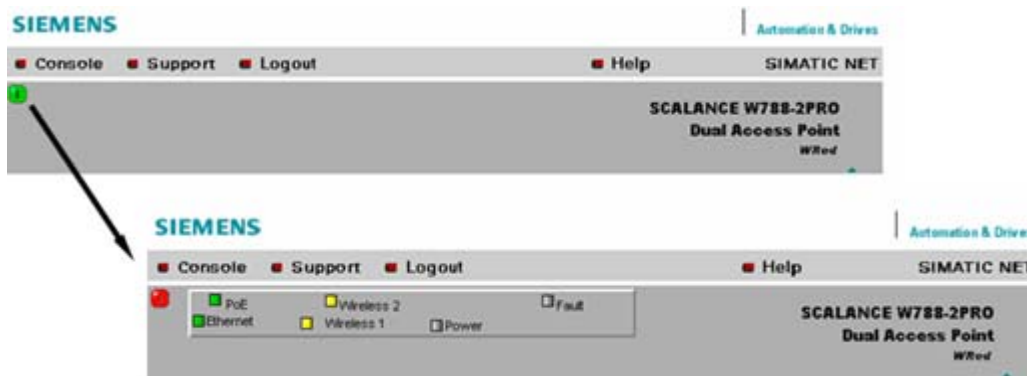


Figure 5-1 Example: LED display of a SCALANCE W788-2PRO. Other device variants have a different LED display.

5.6.3 The System menu

5.6.3.1 System Information menu command

Mode and locale setting

On this page, you make several basic settings for the SCALANCE W-700, for example, the country and mode (access point or client).

Changing the mode of access points

When the mode changes from access point mode to client mode and back, all the parameters are cleared except:

- IP address
- Subnet mask
- Gateway address
- SSID (only in access point mode)
- IP address of the default router
- DHCP flag
- System name
- System location
- System contact
- Device mode
- Country code
- User and Admin passwords

The "Current system time" output box informs you about the system time. The "System up time" output box informs you about the time that has elapsed since the last restart.

Reading out the country list

In the address field of the Internet browser, enter
`https://<IP address of the SCALANCE W-700>/countrylist.log`
and confirm with "Enter".

After logging in, you then obtain the country list with the following headers:

```
-----  
COUNTRY   |  MODE   |  CH   |  MHz   |  PWR(EIRP) |  USAGE  
-----
```

The table lists the permitted wireless modes and channels along with the corresponding channel frequencies for every possible country setting. The PWR(EIRP) rubric contains the permitted limit values for the transmit power, measured at the antenna. The limit values relate to the transmit power of the access point and the gain of the antenna being used.

Note

In the version for USA, you cannot select a country. The frequency bands for this country are already preset.

5.6.3.2 IP Settings menu command

Configuration

Here, you decide whether you will use a DHCP server or whether you want to assign a fixed IP address to the SCALANCE W-700. You can also set the IP address of a router and the default TTL. The TTL (time to live) parameter specifies the maximum number of routers passed through by a data packet before it is discarded.

Note

If you use a Radius server for authentication, this must be accessible over the management VLAN.

See also

CLI\SYSTEM\IP menu command (Page 176)

5.6.3.3 Services menu command

Configuration

Here, you select the services with which access to the device will be possible. If, for example, the "SNMP Enabled" check box is not selected, neither write nor read access is possible using the SNMP protocol (v1,v2c,v3). If the SNMP protocol is not permitted, it is not possible to send SNMP traps.

To improve security, you should only enable the services that you actually use.

NOTICE

Over SNMP, it is possible to disable all services and to allow read access only over SNMP. Following this, no further configuration of the device is possible.
--

If you only want to enable secure access over HTTPS when configuring the device, select the "HTTPS only" check box.

If you want to enable the response of the device to Ping signals, select the "Ping enabled" check box.

With the integrated SSH server, you have secure access to the CLI. In contrast to Telnet, the entire communication including user authentication is encrypted.

Notes on WEB Enabled in the WEB interface

The check box for the "WEB Enabled" entry is selected and inactive because configuration with Web Based Management is no longer possible without the option of access with HTTP.

If you want to deactivate the option of configuration with Web Based Management, you can do this in the Security Wizard over Telnet and SNMP. Settings made using the Security Wizard only take effect after a restart on the device.

See also

CLISYSTEMSERVICES menu command (Page 177)

5.6.3.4 Restart menu command

Restart button

Click this button to restart the device. During a restart, the device is reinitialized, the internal firmware is reloaded, and the device runs a self-test. The learned entries in the address table are deleted. You can leave the browser window open while the device restarts.

Restore Memory Defaults button

Click this button to reset the configuration. The following parameters (protected defaults) are not reset:

- IP address
- Subnet mask
- Gateway address
- SSID
- IP address of the default router
- DHCP flag
- System name
- System location
- System contact
- Device mode
- Country code

There is no automatic restart. This allows you to enter data using Web Based Management before the restart. The changes take effect only after a restart.

If you are logged on as user, the "Restore Memory Defaults" button is not visible.

Restore Factory Defaults and restart button

Click on this button to restore the factory configuration settings. The protected defaults (see above) are also reset. The C-PLUG is reinitialized and formatted if it exists. An automatic restart is triggered.

Note

By resetting all the defaults, the IP address is also lost. The device can then only be accessed using the Primary Setup Tool unless the IP address is obtained over DHCP.

If you are logged on as user, the "Restore Factory Defaults" button is not visible.

See also

CLI\SYSTEM\RESTARTS menu command (Page 178)

5.6.3.5 Event Config menu command

System events of the device

On this page, you specify how the device reacts to system events. You can configure the reaction of the SCALANCE W-700 to the following events:

- Starting the device
- Change in the Ethernet status Link up / Link down
- Error when a user logs in
- Change in the power supply of the device (evaluating this event only makes sense when there is a redundant power supply).
- Change in the error status (error LED)

Additional system events for access points

If you use a SCALANCE W78x in access point mode, you can configure additional system events:

- Events associated with a client logging on and off
- IP-Alive state change (application-specific connection monitoring)
- Link Check state change (device-specific connection monitoring)
- Events related to bandwidth reservation iQoS
- Detection of access points on own or an overlapping wireless channel
- Topology changes in Rapid Spanning Tree
- Events related to iPCF with the device variants SCALANCE W78x-xRR
- Events in conjunction with the Forced Roaming on IP down function
- Change in the WDS connection status Link up / Link down

With the device models that have more than one WLAN interface, the status of a redundant connection (redundant, not redundant, interrupted) is also a system event.

Reaction to system events

The following alternatives are available when the device reacts to a system event:

- The device sends an E-mail.
- The device sends an SNMP trap.
- The device writes an entry in the log file.
- The device indicates an error (the error LED lights up).

By selecting the appropriate check boxes, you specify which events trigger which reactions on the device. With the check box in the "Functions enabled" row, you enable or disable the sending of E-mails or triggering of SNMP traps.

5.6.3.6 E-mail Config menu command

Sender and recipient of an E-mail

Here, you specify who the device sends an E-mail to as a reaction to configured events. You can also enter a sender. This allows you to recognize which device is involved and sent the E-mail. If you do not make an entry in the "From" box, the device uses the following sender: SCALANCE_W@<IP address>

See also

CLI\SYSTEM\EMAIL menu command (Page 181)

5.6.3.7 SNMP Config menu command

Configuration

Select the check boxes of the entries according to the SNMP functionality you want to use. SNMP version 3 allows permissions to be assigned and protocol level, authentication, and encryption. You specify groups and users in the Groups and Users submenus. You can also make entries there if the SNMPv3 enabled check box is not selected, however the entries are not applied.

NOTICE
When using SNMP version 3, you should disable SNMP V1 and V2c because the security settings of SNMP V3 can be bypassed by access over SNMP V1 or V2c.

Trap submenu

Here, you enter the IP addresses of up to 10 trap receivers. The device sends a trap to all the addresses you enter if their Enable trap check boxes are selected.

Note

During a warm or cold restart with a wireless connection (AP client, WDS, or WRED), there is no guarantee that the recipient can be reached at the time when the trap is sent. This leads to a loss of the message.

Groups submenu

This page displays the SNMPv3 groups. You can create a new group by clicking the "New" button and specifying the group name, the security level, and the write or read permissions.

You can delete a group by selecting the check box in the "Del" column and clicking the "Set Values" button. If members are already entered in the group, you cannot delete the group nor is it possible to change the security level of the group.

There are three SNMPv3 security levels:

Security level	Special features	Comment
None	No authentication, no encryption.	
Auth/No Priv	Authentication with the MD5 or SHA algorithm, no encryption.	To display the members of the group, you must enter the authentication password (maximum of 63 characters).
Auth/Priv	Authentication with the MD5 or SHA algorithm, encryption with the DES3 algorithm.	To display the members of the group, you must enter the authentication password (maximum of 63 characters).

Users submenu

This page displays the SNMPv3 users. You can create a new user by clicking the "New" button and specifying the user name and the group to which the user will belong. If necessary, you must also enter the passwords for the authentication and for the encryption.

You can delete a user by selecting the check box in the "Del" column and clicking the "Set Values" button.

See also

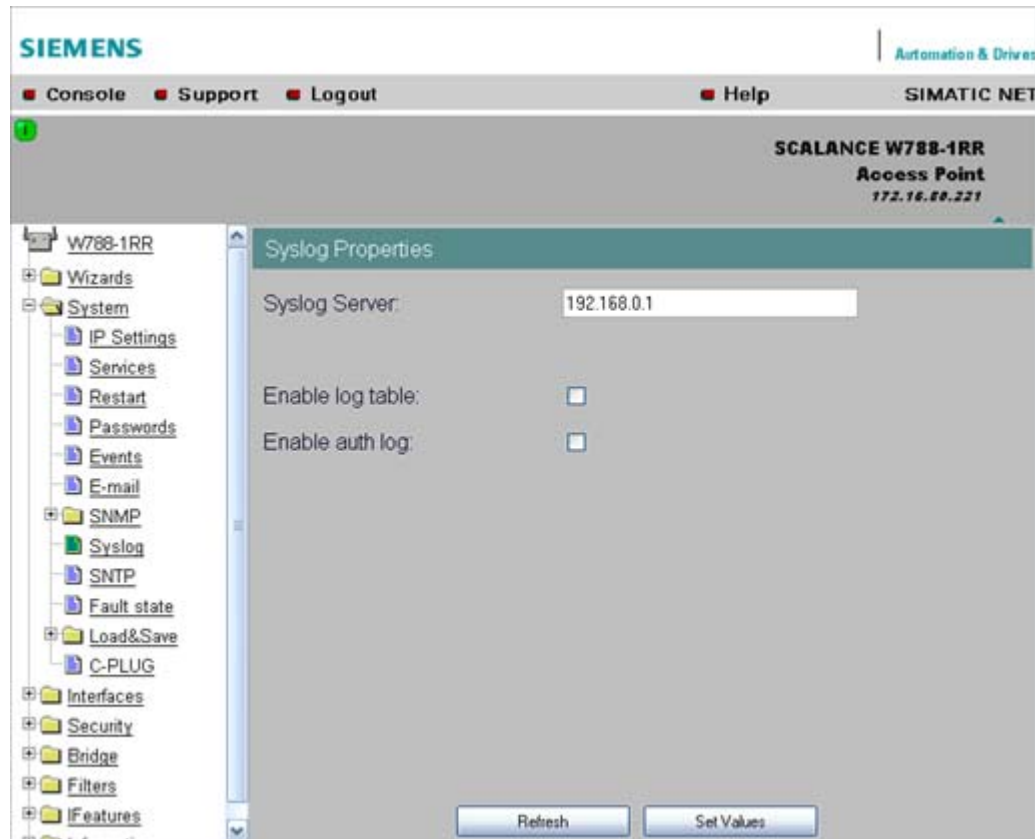
- CLI\SYSTEM\SNMP menu command (Page 181)
- CLI\SYSTEM\SNMP\GROUP menu command (Page 182)
- CLI\SYSTEM\SNMP\USER menu command (Page 183)
- CLI\SYSTEM\SNMP\TRAP menu command (Page 184)

5.6.3.8 S Syslog menu command

Syslog according to RFC 3164 is used for transferring short, unencrypted text messages over UDP in the IP network. This requires a standard Syslog server.

Syslog Configuration with the SCALANCE W-700

The parameters used for the Syslog protocol are displayed and set in the **System -> Syslog** menu:



The meaning of the parameters is as follows:

Syslog Server input box

The server address decides the IP address to which the Syslog messages are sent. If no IP address is entered in this box, no Syslog messages are sent. If the Syslog server is not in the same network as the SCALANCE W, an automatic attempt is made to establish a connection over the default gateway.

log table check box

This check box decides whether all entries made in the log table are also sent as Syslog messages.

auth log check box

This check box decides whether all entries made in the authentication log are also sent as Syslog messages.

See also

CLI\SYSTEM\SYSLOG menu command (Page 184)

5.6.3.9 SNTP Config menu command

Time-of-day synchronization in the network

SNTP is the acronym for Simple Network Time Protocol. A server uses this protocol to provide a uniform time throughout the entire network. Clients can synchronize themselves with this time.

If you enter the IP address of an SNTP server in the "SNTP server" text box and select the time zone of the SCALANCE W-700 in the "Time zone offset" list box, the SCALANCE W-700 uses the time information of this server. The SCALANCE W-700 adopts this time information without any further conversion relating to daylight-saving or standard time.

In the "Update interval" text box, you enter the cycle time in seconds after which the SCALANCE W-700 calls up the time information from the SNTP server. With the "Refresh SNTP" button, you can synchronize with the SNTP server regardless of the selected update time.

See also

CLI\SYSTEM\SNTP menu command (Page 185)

5.6.3.10 Fault State menu command

Information on errors/faults

This page displays information on faults/errors that have occurred. You can delete this information if you click the "Remove Fault State" button.

See also

CLI\SYSTEM\FAULT menu command (Page 186)

5.6.3.11 Load & Save menu command

Saving and loading device data

Clicking the Load & Save menu command first opens a page with the current firmware version. The "HTTP" and "TFTP" submenus allow you to save device data in external files or to transfer data from external files to the device. If the device is operated with a C-PLUG, the data from the loaded configuration file is stored on the C-PLUG. As long as the C-PLUG is inserted, the device works with the configuration on the C-PLUG.

You can save the following device data in external files:

- The configuration data of the device

- the content of the log table
- The firmware of the device
- The client certificate (only for clients and access points in client mode)
- The server certificate (only for clients and access points in client mode)

You can transfer the following data from external files to the device:

- The configuration data of the device
- The firmware of the device
- The client certificate (only for clients and access points in client mode)
- The server certificate (only for clients and access points in client mode)

For information on certificates, please refer to the "System Manual Basics of Industrial Wireless LAN".

Note

When you download the configuration data to the device, it is restarted so that the new data is adopted correctly. The restart takes place automatically during the loading of HTTP and TFTP. The device can no longer be reached using the old IP address if the downloaded configuration data contains a new IP address.

Note

For SCALANCE W788-xPRO/RR and W74x-1PRO/RR only

As of firmware version V3.0, the file with the configuration data of the AP also includes the following information

- Version of the configuration file
- Firmware version with which this configuration file was created
- Order number (MLFB) of the device with which the configuration file was created

It is essential that the configuration on the C-PLUG was generated with a firmware version \leq the firmware version on the destination device.

Example:

Configuration files created with a device with firmware V2.4 or older can be loaded without problems on devices with firmware version V3.0 (or V3.2 on the W786-xPRO and V3.3 on the W784-1xx/W74x-1). Configuration files generated with a device with firmware version V3.0 (or 3.2 or 3.3), cannot, however, be loaded on devices with firmware version V2.4 or older.

Reusing configuration data

Saving and reading in configuration data reduces the effort if several devices have the same configuration and when IP addresses are obtained over DHCP. Save the configuration data on a PC after you have configured a SCALANCE W-700. Download this file to all other

devices you want to configure. If necessary, you may need to assign an IP address to these devices first using the Primary Setup Tool.

How to load or save data over HTTPS

1. To load or save configuration data or the firmware, enter the name of the file from which the data will be taken and in which the data will be saved in the relevant input box. As an alternative, you can also use a file selection dialog that opens after you click the "Browse..." button.
2. Start the save function by clicking the Save button. Start the load from file function by clicking the "Load" button.

How to load or save data over TFTP

1. Enter the IP address of the TFTP server in the TFTP Server IP input box.
2. Enter the port of the TFTP server in the Port text box if the default value does not meet your requirements.
3. Click the Set Values button before you enter any further information for saving the data.
4. Specify the name of the file (maximum 32 characters) from which the data will be taken or where the data will be saved in the relevant input box for the configuration data or firmware.
5. Start the save function by clicking the Save button. Start the load from file function by clicking the Load button.

Configuration package

If security certificates for the client and/or server are installed on a client, when the configuration is saved, the client provides the option of saving the configuration file with the certificates as a configuration package. With the aid of the configuration package, clients can be replicated simply; in other words, identical settings AND certificates are transferred to the clients in one step. Just as when you download the configuration file, this is followed by a restart. No special measures are necessary when downloading the configuration because the SCALANCE W-700 automatically recognizes the type of configuration file.

See also

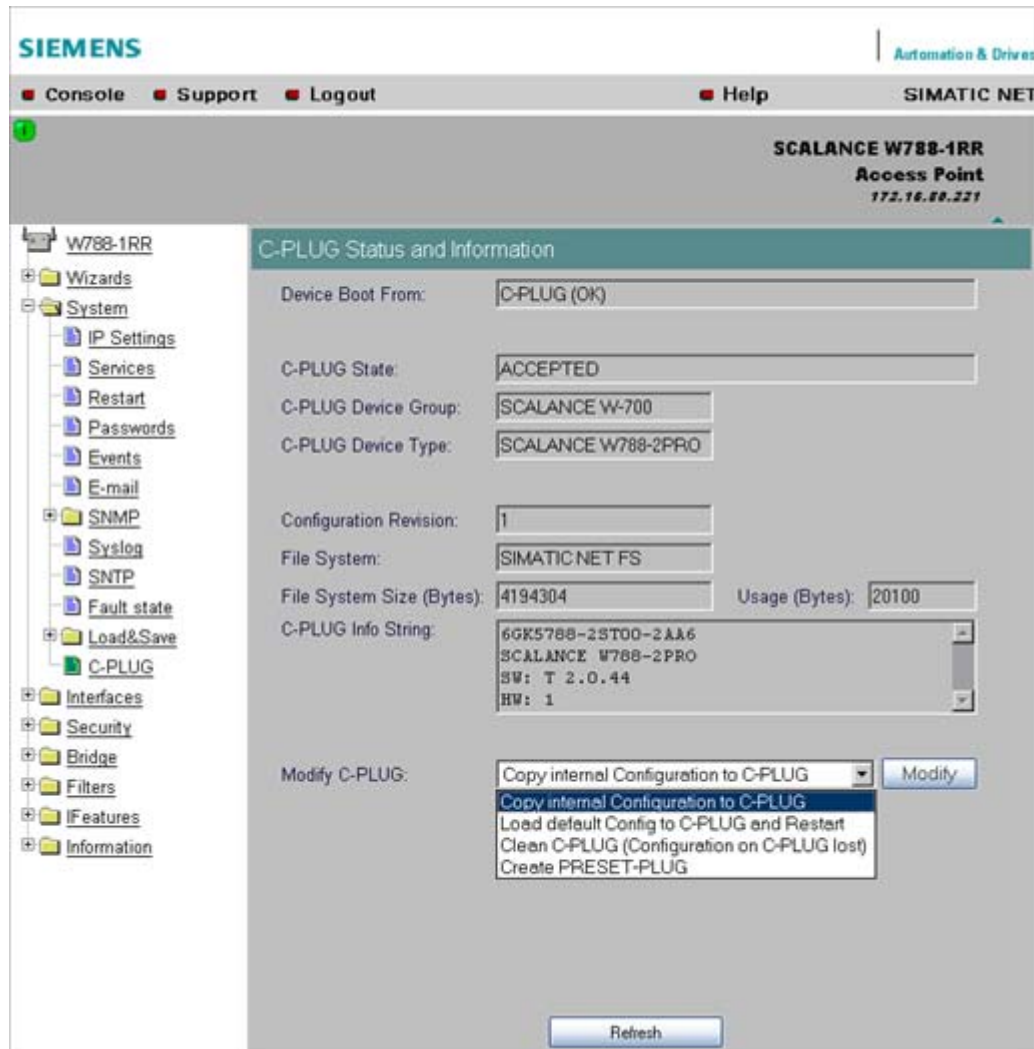
CLI\SYSTEM\LOADSAVE menu command (Page 186)

5.6.3.12 C-PLUG menu command

Information on the content of the C-PLUG

This menu command provides you with detailed information on the C-PLUG. You can also format the C-PLUG or provide it with new content. As soon as the device is started with a C-PLUG inserted, the SCALANCE W starts up with the configuration data on the C-PLUG. Changes to parameters are stored on the C-PLUG and displayed over the Web and CLI.

The data in the memory of the device only becomes accessible when the device restarts without a C-PLUG using the <Restart without C-PLUG> function.



Note

In terms of the C-PLUG, the SCALANCE W-700 devices work in two modes:

- **Without C-PLUG**
The device stores the configuration in internal memory. This mode is active when no C-PLUG is inserted.
- **With C-PLUG**
The configuration stored on the C-PLUG is displayed over the user interfaces. In this mode, the internal memory is neither read nor written. If changes are made to the configuration, the device stores the configuration directly on the C-PLUG. This mode is active when no C-PLUG is inserted. As soon as the device is started with a C-PLUG inserted, the SCALANCE W-700 starts up with the configuration data on the C-PLUG.

C-PLUG State input box

This displays the status of the C-PLUG. The following are possible:

- **ACCEPTED**
There is a C-PLUG with a valid and matching content inserted in the device.
- **NOT ACCEPTED**
No C-PLUG or C-PLUG inserted but invalid or incompatible content. The status is also displayed when the C-PLUG was formatted during operation.
- **NOT ACCEPTED, HEADER CRC ERROR**
A C-PLUG with bad content is inserted.
- **NOT PRESENT**
There is no C-PLUG inserted in the device.

C-PLUG Device Group input box

Indicates the SIMATIC NET product line that used the C-PLUG previously.

C-PLUG Device Type input box

Indicates the device type within the product line that used the C-PLUG previously.

Configuration Revision input box

The version of the configuration structure. This information relates to the configuration options supported by the device and has nothing to do with the concrete hardware configuration. This revision information does not therefore change if you add or remove modules or extenders, it can, however, change if you update the firmware.

File System input box

Displays the type of file system on the C-PLUG.

File System Size input box

Displays the maximum storage capacity of the file system on the C-PLUG.

File System Usage input box

DDisplays the memory utilization of the file system of the C-PLUG.

C-PLUG Info String input box

Here, you will see all the additional information about the device that used the C-PLUG previously, for example, order number, type designation, and the versions of the hardware and software.

Modify C-PLUG drop-down list box, Modify button

You can only make settings in this box if you are logged on as "Admin". Here, you decide how you want to change the content of the C-PLUG. The following alternatives are possible:

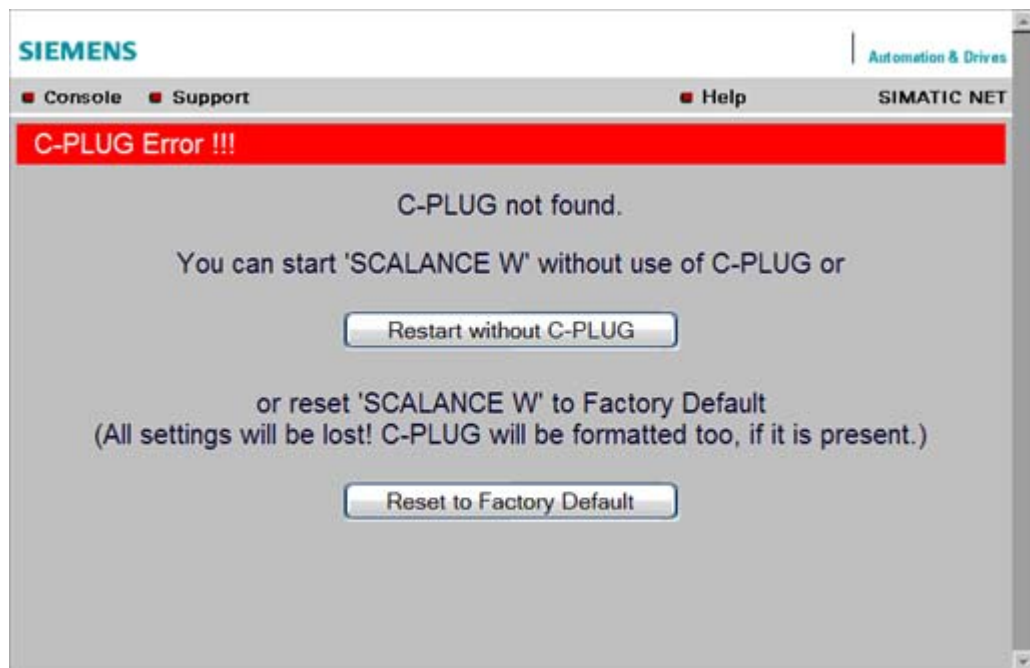
- Copy internal Configuration to C-PLUG and Restart
The configuration in the internal flash memory of the SCALANCE W700 is copied to the C-PLUG; this is followed by a restart.
This function is required in the following important use case: The device has started up with a C-PLUG containing a bad configuration or a configuration different from the device. If you have not yet made any configuration changes after starting up the device, you can use this function to overwrite the content of the C-PLUG with the original device configuration from memory.
- Load default Configuration to C-PLUG and Restart
A configuration with all the factory default values is stored on the C-PLUG. This is followed by a restart in which the device starts up with these default values.
- Clean C-PLUG (Low Level Format, Configuration lost)
Deletes all data on the C-PLUG and starts a low-level formatting function. There is no automatic restart.
- Create PRESET PLUG
Writes configuration data to a PRESET PLUG. For detailed information on this topic, refer to the section "Configuring with the PRESET-PLUG".

After making your selection, start the function by clicking the "Modify" button.

C-PLUG error message

If the device detects a C-PLUG error during startup, a message is displayed by Web Based Management. C-PLUG errors can have two causes:

- The C-PLUG contains bad data or data for a different device type.
- There is no C-PLUG in the device although a C-PLUG was present prior to the last shutdown of the device.



See also

CLI\SYSTEM\CPLUG menu command (Page 188)

5.6.4 The Interfaces menu

5.6.4.1 Interfaces menu command

Introduction

The SCALANCE W-700 has one Ethernet interface and one or more WLAN interfaces that can be configured separately. In the pages of this menu, you can configure both the wired Ethernet interface and the WLAN interface.

With the menu command Interfaces > WLAN1...3 > Virtual AP count in the Access Point mode, you can also configure up to eight virtual access points (VAP0 ... VAP7) per wireless interface.

Note

VAPs are visible only after an AP count > 0.

5.6.4.2 Ethernet menu command

Transmission speed and mode

For a wired Ethernet interface with an RJ-45 connector, you only specify the transmission speed / mode parameters and the crossing over of the Ethernet connection. When you select the Auto entry in the "Speed / Mode" drop-down list box, the device sets a suitable speed and mode depending on the other network nodes and crosses over the Ethernet connection.

If you select an entry other than Auto in the "Speed / Mode" drop-down list box, you must specify the crossing over of the Ethernet connection manually with "Ethernet crossing".

Note

If you specify the mode, you must make the same settings on the partner device.

There is no parameter assignment for devices with ST duplex multimode fiber-optic connectors. The Ethernet MAC address and the current transmission speed/mode are displayed.

See also

CLI\INTERFACES\ETHERNET menu command (Page 189)

5.6.4.3 WLAN menu command

Enabling the interface

Enable the interface by selecting "Enable Interface".

Network name (in access point mode only)

Enter the network name of the wireless network in the "SSID" input box. If you have used the Basic Wizard, a value is already entered here.

Infrastructure / Ad-Hoc (only for clients or access points in client mode)

Select Infrastructure to connect to an access point. "Ad hoc" is used to connect clients with each other without an access point. This is only possible when "Ad hoc" is set on all clients.

Transmission mode

Specify the transmission mode in the "Wireless Mode" list box. If you have used the Basic Wizard, a value is already entered here.

Note

IEEE 802.11h transmission

It is not possible to select the 802.11h protocol in all country settings. It is specified by the configuration of Country code on the System page.

If the 802.11h protocol is selected, after applying the configuration with Set Values, the comment (DFS is active for this country code) appears behind the Enable Interface check box.

With the automatically enabled Dynamic Frequency Selection function (DFS), prior to communication, the access point checks whether the configured or selected channel (see Auto Channel Select) is free of signals from a primary user (for example radar).

If signals of a primary user are found on the configured or selected channel, the access point follows the procedure outlined below:

- Auto channel select = enabled
With automatic channel select, the access point changes to a different channel and repeats the availability check for this channel.
- "Auto channel select" = disabled
If there is a fixed configured channel, the access point changes to the configured

alternative channel and repeats the availability check for this channel. If a primary user (for example radar) is discovered on the alternative channel, a further channel is selected at random.

Communication with clients is started only when no primary user has been discovered on the selected channel for one minute.

When operating PNIO systems with wireless standard 802.11h, make sure that no radar signals occur in the vicinity of the system. Due to the DFS strategy in 802.11h, there is a channel change if radar signals are detected.

Outdoor AP mode (only in access point mode) / Outdoor Client mode (only for clients or access point in client mode)

The device can be operated either in the indoor or outdoor mode. In indoor mode, all the country-dependent permitted channels and transmit power settings are available for operation in a building. In outdoor mode, the selection of country-dependent channels and the transmit power for operation are restricted for outdoor use. You enable this mode by selecting "Outdoor AP mode" or "Outdoor Client mode".

Channel Selection

On clients or access points in client mode, you can only set a channel in ad hoc mode.

For access points, you have the following options: Select the "Auto Channel Select" check box if you want the access point to search for a free channel itself. If you want to specify a specific channel, make sure that "Auto Channel Select" is not selected. You can specify a suitable channel in the "Radio Channel" drop-down list box.

IEEE 802.11h transmission:

If you have selected the 802.11h protocol for transmission in access point mode and "Auto Channel Select" is not selected, the "Alt. radio channel" input box is displayed below "Radio channel". Here, you can select the alternative channel in case signals of a primary user are found on the main channel.

Make sure that the alternative channel is not being used by other access points.

In the IEEE 802.11h transmission mode, it is not practical to select the WDS mode. In WDS mode, all access points must use the same channel. If a signal from a primary user is detected by an access point, the channel is changed automatically and the existing connection is then terminated.

MAC address of the client (only for clients or access points in client mode)

A MAC address must be specified for the devices connected to the Ethernet port of the client before it can be reached. This MAC address is used by the client for wireless communication with the access point. This can be done automatically by the client adopting the MAC address of the first frame that it receives over the Ethernet interface. If this is required, "Auto find Adopt MAC" must be selected.

As long as the client is waiting for an Ethernet frame, it registers with the access point using its own MAC address. As soon as the first Ethernet frame is received, the client deregisters from the access point and immediately registers again with the MAC address from the Ethernet frame. If there is now a link-down on the Ethernet port, the client deregisters from the access point and registers again with its own MAC address.

If several devices are connected to the client, you should not select this setting.

You also have the option of specifying the MAC address of the connected device manually. To use this option, select "Set 'Adopt MAC' manually" and enter the MAC address of the device connected to the client in the "Adopt MAC" input box.

To be able to address an entire network of devices downstream from the client, "Adopt own MAC" must be selected. In this case, only layer 3 connections (TCP/IP) are possible. This is, however, not possible with the SCALANCE W744-1PRO and SCALANCE W744-1.

If up to eight MAC addresses need to be served downstream from the client, the "Layer 2 Tunneling" setting must be selected for the client.

Note

The layer 2 tunneling functionality is supported by SCALANCE W-700 access points as of firmware version V3.1. This setting meets the requirements of industrial applications in which MAC address-based communication with several devices downstream from the client is required. Clients with this setting cannot connect to standard Wi-Fi devices and SCALANCE W-700 access points with firmware V3.0 or older.

Virtual AP count (only in access point mode)

If you want to configure virtual access points (VAPs) on this AP, set the number of virtual access points using the "Virtual AP count" drop-down list box. If "Virtual AP count = 0 and VLAN/Prio Tag" are disabled, no VAPs are created.

You can define up to a maximum of 8 VAPs. The settings of VAP0 are made directly in "Interfaces/WLAN", the settings for VAP1...7 can be found in the "Interfaces/WLAN/VAP1...7" submenus.

By using virtual access points, various SSIDs (maximum of 8 per WLAN interface) can be configured with different security settings. You can assign each virtual AP to a particular VLAN.

Set Values

Apply the configuration by clicking "Set Values".

If you have configured virtual access points ("Virtual AP count > 0"), in "access point" mode, you will be requested to run a restart on the SCALANCE W78x after clicking "Set Values".

5.6.4.4 Advanced menu command**Configuring transmission characteristics**

On this page, you can specify details of the transmission characteristics. You only need to adapt the parameters on this page if the device cannot be used as it is intended with the default settings.

Transmit power

In the Transmit Power list box, you can specify the output power of the device. It may be necessary to reduce the transmit power when using antennas to avoid exceeding the maximum legal transmit power. Reducing the transmit power effectively reduces cell size.

Beacons

Beacons are packets that are sent cyclically by an access point to inform clients of its existence. In the "Beacon Interval" input box, you specify the interval at which the device sends beacons.

In access point mode only

The "Data Beacon Rate DTIM" parameter (Delivery Traffic Indication Map) specifies how often the access point sends broadcast and multicast packets over the wireless interface. If you enter 1 in this box, the access point transmits broadcast and multicast packets directly after each beacon (recommended setting for normal network environments). The value 5 would mean that the access point collects the broadcast and multicast packets and sends them after every fifth beacon.

Increasing this value allows a longer sleep mode for the clients but means a greater delay for broadcast and multicast packets.

Note

The lowest basic rate in the INTERFACE\WLAN\DATARATES menu is used as the "Beacon Rate". The higher the data rate of the beacon, the shorter the range of the beacon.

RTS/CTS

RTS/CTS (Request To Send/Clear To Send) is a method for avoiding collisions based on the exchange of status information before sending the actual data (hidden node problem). To minimize network load resulting from the additional protocol exchange, this method is used only when a packet size that you select with the "RTS/CTS Threshold" is exceeded.

Fragmentation

The "Fragmentation Length Threshold" parameter specifies the maximum package size transferred on the wireless link. Large packets are divided up into small packets prior to transmission and then reassembled into the original size after they have been received. This can be beneficial if the transmission quality is poor because larger packets are more difficult to transmit. However fragmentation into smaller packets means a poorer throughput.

Repetitions

There are two situations in which packets are repeated. The hardware repetition is performed by the WLAN chip itself when it tries to repeat an unacknowledged packet immediately. The number of attempted repetitions is specified with the "HW Retry number" parameter.

If all hardware repetitions were unsuccessful, the packet is withdrawn and all other packets in the buffer are sent first. Following this, transmission of the packet is attempted again. The number of such repetitions is specified with the "SW Retry number" parameter.

The software repetition mechanism can be enabled or disabled with "Use SW Retry".

Shortened preamble with 802.11b

The 802.11b standard allows the use of shortened preambles in the wireless transmission of data packets. This increases the amount of user data.

Antenna Gain

The "Antenna Gain" parameter describes the antenna gain in dBi of an antenna connected to a SCALANCE W-700.

You can set values for the following parameters:

- "Antenna Type"
- "Antenna Gain"
- "Antenna cable length (in meters)"

If "Antenna Type" is set to "User Defined", you can enter any value in the "Antenna Gain" box for the antenna gain. Otherwise, the preconfigured value of the selected "Antenna Type" is displayed. In the "Antenna cable length (in meters)" box, you enter the length of the connecting cable between the device and the antenna.

It is necessary to set a specific value to make sure that the regulations of the national authorities are adhered to. The national authorities, for example, specify all usable channels, the corresponding maximum transmit power and other conditions of use. You will find more detailed information on the regulations in your country using the `countrylist.log`.

Based on the settings for antenna gain and transmit power, the SCALANCE W-700 automatically selects the permitted channels. Under some circumstances, there may be fewer permitted channels available for antennas with a higher antenna gain than for antennas with a lower antenna gain.

Note

If you select "User defined", you have the option of entering dBi values as integers for the antenna gain in the range from 0 through 30 dBi. Please remember to take the losses of the antenna connecting cable into account.

NOTICE

The correct antenna setting is mandatory for operation complying with the approvals. A false antenna gain entry can lead to legal proceedings!
--

Antennas

The "Antenna Mode" list box specifies the use of antennas.

- The Diversity setting takes the better of the two antennas for the data transmission. For each WLAN interface, both antennas must be connected. Both antennas should also be of the same type and they should also illuminate approximately the same space. If an access point is operated with the diversity setting and the two antennas span different cells, this can have negative effects.
- With the setting "Tx on A, Rx on B", antenna A is used to send and antenna B to receive.
- With the setting "Tx on B, Rx on A" antenna B is used to send and antenna A to receive.

With the settings "Diversity, Tx on A, Rx on B" and "Tx on B, Rx on A", both antennas must be connected on each WLAN interface. If only one antenna is connected, the connected

antenna must be set permanently. The second antenna socket must also have a 50 Ω terminator fitted.

Note

For information on the location of the antenna sockets, refer to the section "Connectors for external antennas".

Scan for access points (only for clients and access points in client mode)

While the client is connected to an access point, it scans for other access points in the background with which it can connect when necessary. There are three modes for scanning access points that can be selected in the "Background scan mode" drop-down list box.

If you set "Disable", there is no scan for access points while the client is connected.

If you set "Scan if Idle", there is a scan for access points when no data transfer takes place for a certain time.

If you set "Scan Always", access points are scanned continuously.

The "Background scan interval" parameter specifies the interval at which further access points are scanned.

To optimize the scanning for further access points, you can specify channels for the client on which other access points can be found. To allow this, the "Background Scan Ch.Select" check box must be set and the channels of the other access points entered in the "Background Scan Channels" text box. Enter the channels separated by blanks.

If the client finds a better access point, it attempts to connect to it. Before it changes, the new access point must be better than the current access point by a certain value. The threshold at which the client changes to the new access point can be specified with the "Roaming threshold" parameter.

Roaming when there is no Ethernet interface (access point mode only)

If the wired Ethernet interface is no longer available (cable break, connector removed), a client connected over the wireless network is not aware of this. The access point can then force the logged-on WLAN clients to roam by deactivating its WLAN interface. The client then attempts to log on at a different access point. You enable this feature by selecting the "Force roaming if link down on the Ethernet interface" check box.

Enable WMM

With wireless multimedia, multimedia frames are transferred according to the IEEE 802.11e standard with a higher priority.

Select the Enable WMM option if you want frames evaluated according to their priority and sent prioritized over the WLAN interface.

According to the Wi-Fi standard, prioritized frames are classified as follows:

Access Category	Description	802.1d Tags
WMM voice priority	Highest priority Allows multiple concurrent VoIP calls, with low latency and toll voice quality	7, 6

Access Category	Description	802.1d Tags
WMM Video priority	Prioritize video traffic above other data traffic. One 802.11g or 802.11a channel can support 3-4 SDTV streams or 1 HDTV streams.	5, 4
WMM best effort priority	Traffic from legacy devices, or traffic from applications or devices that lack QoS capabilities. Traffic less sensitive to latency, but affected by long delays, such as Internet surfing.	0, 3
WMM background priority	Low priority traffic (file downloads, print jobs) that does not have strict latency and throughput requirements.	2, 1

5.6.4.5 SSID List menu command

Note

The "SSID List" submenu is only available for clients and access points in client mode. You can specify the mode in the "System" menu.

How the client connects to the network

With this menu command, you can specify how the device connects to a network as client:

- If the Connect to ANY SSID check box is selected, the device in client mode attempts to connect to the network with the best transmission quality and with suitable security settings. If the "Suppress SSID broadcasting" setting is made for an access point, the client cannot log on there with the ANY SSID.
- If this check box is not selected, the client attempts to connect to the network from the SSID list that has the best transmission quality.

An SSID is absolutely necessary in ad hoc networks and iPCF. The maximum number of SSIDs in the SSID list is restricted to 32.

See also

CLI\INTERFACES\WLAN1\SSID (or \WLAN2\SSID or \WLAN3\SSID) menu command
(Page 194)

5.6.4.6 Advanced G menu command

Properties of the 802.11g standard

The IEEE 802.11g is upwards compatible with IEEE 802.11b, both use the 2.4 GHz band. In contrast to 802.11b that specifies data rates up to 11 Mbps, 802.11g provides for data rates up to 54 Mbps. The 802.11g standard also uses the OFDM modulation scheme. This

technology divides a data packet into several smaller packets that are transmitted at the same time at different frequencies.

Special options for 802.11g settings

The options you can set in the Advanced G submenu relate to the way in which management and control data (RTS/CTS frames, beacons) are sent in the 802.11g mode. You can also specify that the SCALANCE W-700 only supports 802.11g-compatible devices.

Handling 802.11b clients

The access point automatically detects whether 802.11b clients exist in the area. To avoid 802.11g packets colliding with 802.11b packets, the access point can use the RTS/CTS method.

Using RTS/CTS (in access point mode only)

With the "802.11g CTS Mode" drop-down list box, you specify the use of RTS/CTS:

None	Do not use RTS/CTS.
Always	Always use RTS/CTS with 802.11g packets.
Auto	Only use RTS/CTS when there are 802.11b clients in area.

You can set the data rate for RTS/CTS frames in the "802.11g CTS Rate" drop-down list box.

With the "802.11g CTS Type" drop-down list box, you specify whether only a CTS or RTS/CTS is sent.

802.11g enhancements

With the "802.11g Short Slot Time" parameter, you specify whether or not the short slot time is used. This short slot time should be supported by all newer clients.

With the "802.11g Only Mode" parameter, you can specify that only 802.11g clients can log on at the access point and also that only 802.11g rates are permitted (in access point mode only). In this mode, only the OFDM modulation method is used. This prevents 802.11b devices from registering. If 802.11g Only mode is disabled, both 802.11b devices and 802.11g devices can register with the access point.

5.6.4.7 Data Rates menu command

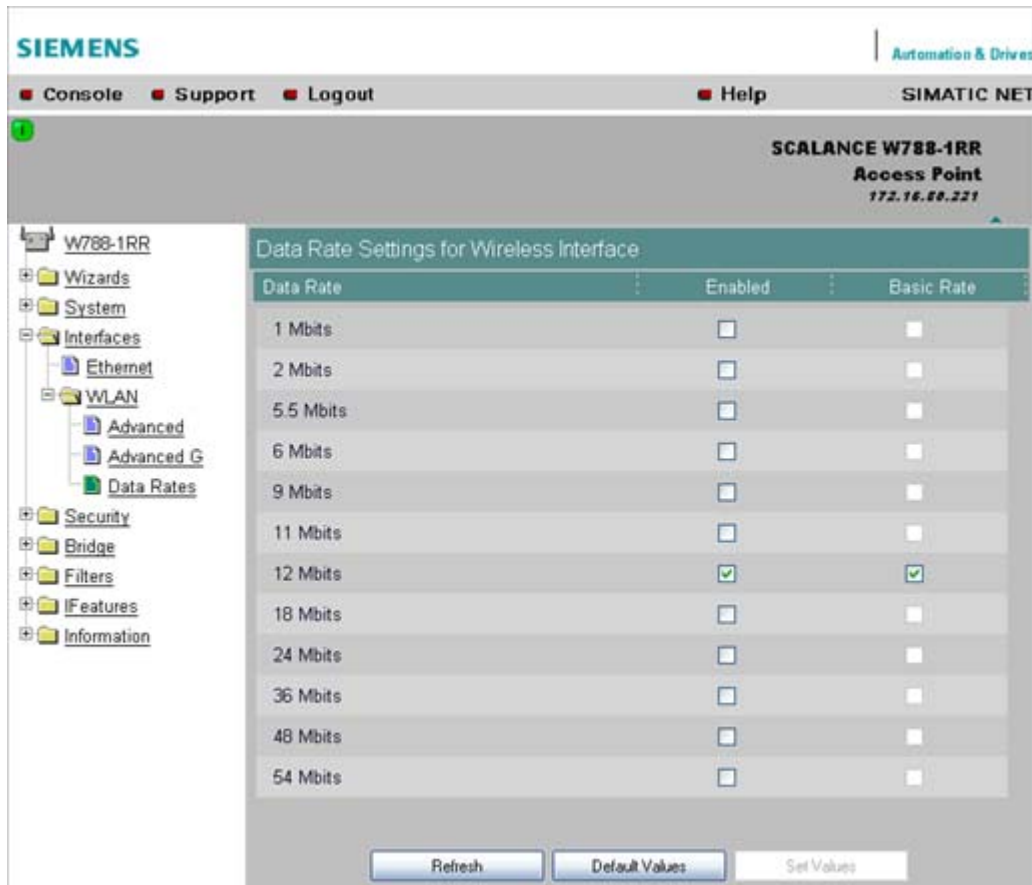
Note

The "Data Rates" submenu is available only in access point mode.

Variable setting of the transmission rates

From the table showing all available data rates for the current WLAN mode (802.11b, g, a etc.), you can select any combination of these data rates. The access point will then use only the selected transmission rates for communication with the clients.

The "Basic Rate" parameter specifies that a client must be capable of this data rate to be able to connect to the access point.



See also

CLI\INTERFACES\WLAN1\DATARATES (or \WLAN2\DATARATES or \WLAN3\DATARATES) menu command (Page 196)

5.6.4.8 VAP menu command

Note

The "VAP" submenu is available only in access point mode.

Description

You can only complete the pages of the virtual access points VAP1...VAP7 if you have configured virtual access points ("Virtual AP count > 0") at the higher level "Interfaces > WLAN".

On this page, you can assign a separate SSID to the virtual access points; in other words, the access point operates in multiple SSID mode.

SSID

Enter the SSID of the VLAN here.

Make sure that you also store the SSID of this VLAN in the configuration of the client that you assign to this VLAN.

Note

You can configure separate security settings for each virtual access point (see section "Basic Wireless menu command")

The security settings of the VAPs must meet those of the relevant VLANs.

See also

CLI\INTERFACES\WLAN1\VAP1..7 (or \WLAN2\VAP1..7 or \WLAN3\VAP1..7) menu command (Page 197)

5.6.5 The Security menu

5.6.5.1 Security menu command

Introduction

In this menu, you configure the security settings with which you want to operate your device. Apart from selecting the authentication and encryption scheme, this also includes the decision as to whether or not an external Radius server is used and whether access is restricted based on MAC addresses (ACL).

See also

CLI\SECURITY menu command (Page 197)

5.6.5.2 Basic Wireless menu command

Authentication

Authentication basically means that some form of identification is required. Authentication therefore protects the network from unwanted access. In the "Security Level" box, you can choose between the following types of authentication:

- **Open System**

There is no authentication. Encryption with a fixed (unchanging) key can be selected as an option. To do this, define a key in the "Keys" menu. 5 or 13 ASCII or 10 or 26 hexadecimal characters specify a weaker key (40/104 bits). 16 ASCII or 32 hexadecimal characters, on the other hand, define a strong key (128 bits). Then select "Encryption" in the "Basic WLAN" menu.

Note

With the following devices in iPCF mode, only this setting is possible:

- SCALANCE W788-xRR in client mode
- SCALANCE W784-xRR in client mode
- SCALANCE W747-1
- SCALANCE W747-1RR
- IWLAN/PB-Link PNIO

- **Shared Key**

In Shared Key authentication, a fixed key is stored on the client and access point. This is then used for authentication and encryption. In this case, you will have to store a WEP key after selecting "Low (Shared Key)".

Note

Only in access point mode:

When using an open system with encryption or shared key in conjunction with ACL lists, note the information in Section "ACL menu command".

- **WPA2-PSK**

WPA2-PSK is based on the WPA2 standard, WPA authentication, however, operates without a RADIUS server. Instead of this, a key (pass phrase) is stored **on every** client and access point and this is used for authentication and further encryption. AES or TKIP is used as the encryption method, AES represents the standard method.

Note

The key can be 8 to 63 ASCII characters or exactly 64 hexadecimal characters long. It should be selected so that is complex, (for example consisting of random numbers, letters (upper-/lowercase), have few repetitions and special characters). Do not use known names, words and terms that could be guessed. If a device is lost or if the key becomes known, the key should be changed on all devices to maintain security.

- **WPA2**

WPA2 (Wi-Fi Protected Access 2) is a further development of WPA and implements the functions of the IEEE 802.11i security standard. WPA2 uses the additional encryption protocol CCMP with preauthentication that allows fast roaming in mobile ad hoc networks. A client can log on in advance at several access points so that the normal

authentication can be omitted.

A RADIUS server is used to authenticate the client with an access point. The client logs on at a RADIUS server based on a certificate (EAP-TLS) or a combination of user name and password (EAP-PEAP or EAP-TTLS / internal authentication method MSCHAPv2).

As an option, the RADIUS server then identifies itself to the client using a certificate.

Following successful authentication, the client and RADIUS server generate key material that is used for data encryption. AES or TKIP is used as the encryption method, AES represents the standard method.

- **WPA-Auto-PSK**

Setting with which an access point can process both the "WPA-PSK" as well as the "WPA2-PSK" type of authentication. This is necessary when the access point communicates with different clients, some using "WPA-PSK" and others "WPA2-PSK". The same encryption method must be set on the clients.

- **WPA-Auto**

Setting with which an access point can process both the "WPA" as well as the "WPA2" type of authentication. This is necessary when the access point communicates with different clients, some using "WPA" and others "WPA2". The same encryption method must be set on the clients.

Encryption

Encryption protects the transferred data from eavesdropping and corruption. You can only disable encryption if you have selected "Open System" for authentication. All other security methods include both authentication and encryption.

Encryption methods

If you have selected Open System including encryption or "Shared Key" for authentication, you will need to define a key in the "Keys" menu (see section "Keys menu command").

- **WEP (Wired Equivalent Privacy)**

A weak, symmetrical stream encryption method with only 40- or 104-bit long keys based on the RC4 algorithm (Ron's Code 4).

If you have selected WPA-PSK or WPA (RADIUS) as the authentication, the following alternatives are available in the "Cipher" box:

- **TKIP (Temporal Key Integrity Protocol)**

A symmetrical stream encryption method with the RC4 algorithm (Ron's Code 4). In contrast to the weak WEP encryption, TKIP uses changing keys derived from a main key. TKIP can also recognize corrupted packets.

- **AES (Advanced Encryption Standard)**

Strong symmetrical block encryption method based on the Rijndael algorithm that further improves the functions of TKIP.

- **AUTO**

AES or TKIP is used depending on the capability of the other station.

RADIUS Authentication Method (only for clients and access points in client mode)

If a client is authenticated over an external RADIUS server, you can use the "RADIUS authentication type" selection list to specify a method for external authentication. As default, the "Auto" value is selected so that the client provides a RADIUS server with all supported methods. Any other selection restricts the support by the client to this one method. This step

may be necessary because some RADIUS servers do not evaluate the response of the client completely or correctly.

The following options are available:

- EAP TLS - Extensible Authentication Protocol - Transport Layer Security. Uses certificates for authentication
- EAP TTLS - Extensible Authentication Protocol - Tunnel Transport Layer Security. After setting up the TLS tunnel, MS-CHAPv2 is used for internal authentication.
- PEAP - Protected Extensible Authentication Protocol. Alternative draft protocol of IETF for EAP-TTLS

Additional Entries for WPA-PSK and WPA2-PSK

To use the WPA-PSK scheme, you must enter a string in the Pass Phrase box that is used by the SCALANCE W74x to initialize dynamic key generation.

Suppress SSID broadcasting (only in access point mode)

With the Suppress SSID broadcasting setting, the SCALANCE W78x is only ever accessible to clients that know its SSID. This method can be used to protect the SCALANCE W78x from unauthorized access.

Note

Since no encryption is used for the SSID transfer, this function can only provide basic protection against unauthorized access. The use of an authentication method (for example WPA (RADIUS) or WPA-PSK if this is not possible) provides higher security.

You must also expect that certain end devices may have problems with access to a hidden SSID.

Inter SSID communication check box (only in access point mode)

Selecting this check box allows communication between WLAN clients registered at different SSIDs of an access point.

Example 1:	A SCALANCE W78x-2xx or W786-3PRO was defined with different SSIDs.
Example 2:	A SCALANCE W78x-1xx is used with multiple SSIDs.

Note

On a SCALANCE W78x-2xx or W786-3PRO, the Inter SSID communication function must be enabled on all WLAN interfaces or on all VAPs to allow communication between the clients with different SSIDs.

Note

If VLANs are configured for the SSIDs, this setting can prevent communication between the SSIDs according to the VLAN rules.

Intracell communication list box (only in access point mode)

- Intracell blocking
This setting prevents WLAN client communication within an SSID.
- Ethernet blocking
This setting prevents WLAN client communication over the Ethernet interface of the access point.
- Disabled
This setting enables both WLAN client communication within an SSID as well as WLAN client communication over the Ethernet interface.

Overview of the communication options (in access point mode only)

To illustrate the situation, there is an overview of the effects of the "Inter SSID communication" and "Intracell communication" settings below.

Settings		Possible communication		
Inter SSID communication	Intracell communication	within an SSID	with another SSID	to the Ethernet network
Enabled	Allowed	X	X	X
Enabled	Intracell blocking		X	X
Enabled	Ethernet blocking	X	X	
Disabled	Allowed	X		X
Disabled	Intracell blocking			X
Disabled	Ethernet blocking	X		

VAP (in access point mode only)

For each virtual access point VAP1 to VAP7, you configure the following security settings described earlier:

- Authentication
- Enable encryption
- Encryption method
- Select the default WEP key

- Enter the WPA-PSK password
- Specifies the "Group Key Update Intervals" in WPA-PSK
- Enable "Suppress SSID broadcasting"

Where they apply, all other security parameters are adopted from the **Security > Basic > WLAN1** or **WLAN2** or **WLAN3** page.

5.6.5.3 Keys menu command

Specifying the WEP key

To allow you to enable the encryption for the Open System and Shared Key authentication methods, you must first enter at least one key in the key table. You can choose between several key lengths. 5 or 13 ASCII or 10 or 26 hexadecimal characters specify a weaker key (40/104 bits). 16 ASCII or 32 hexadecimal characters, on the other hand, define a strong key (128 bits).

You can also create keys for WDS Redundancy and ACL Private (these are not supported by all clients for ACL).

Note

For the key, you can use characters 0x20 to 0x7e from the ASCII code. Below, there is a list of all supported characters starting with a space:

```
!"#$%&'()*+,-./0123456789:;<=>?@  
ABCDEFGHIJKLMNOPQRSTUVWXYZ[ ]^_`  
abcdefghijklmnopqrstuvwxyz{|}~
```

See also

CLI\SECURITY\KEYS\WLAN1 (or \WLAN2 or \WLAN3) menu command (Page 200)

5.6.5.4 ACL menu command

Note

The "ACL" menu is available only in access point mode.

Access rights for individual clients

The access control list (ACL) is an assignment of MAC addresses and access rights.

If ACL is enabled, prior to data transfer, the access point checks whether the necessary permissions for the communication partner (identified by the MAC address) are entered in the ACL table

Note

Since no encryption is used for MAC address transfer, this function can only provide basic protection against unauthorized access. The use of an authentication method (for example WPA (RADIUS) or WPA-PSK if this is not possible) provides higher security.

Enabling the ACL

In Web Based Management, there is a drop-down list box for the use of ACL.

To enable ACL, set the global share to either "Enabled" or "Strict":

- **Enabled**
All clients entered in the ACL are handled according to the ACL entry. Clients not entered in the ACL have access to the access point. This setting can be used to deny access by certain clients.
- **Strict**
All clients entered in the ACL are handled according to the ACL entry. Clients not entered in the ACL have no access to the access point. This setting can be used to allow access by certain clients.
- **Disabled**
The access control list is not used.

Changing an entry in the ACL

Click the relevant MAC address to change the entry in the ACL. With the "Sel" check box, you decide whether or not an ACL entry is used. The "Del" check box is used to delete an entry from the ACL.

New entry in the ACL

Click the New button to create a new entry in the ACL. A page appears on which you can make the necessary settings. Enter the "MAC address" of the client in the "MAC Address" text box. You specify the access permissions of the client in the "Permission" drop-down list box:

- **Allow**
The client has access to the access point.
- **Deny**
The client does not have access to the access point.
- **Default Key**
The client only has access to the access point when it uses the default key for encryption of the data. To allow this, you must specify a valid default key for the SCALANCE W78x (for example in the WBM "Security" menu) that is also used by the client.
- **Private Key**
With this setting, you can use different keys for different clients. You first create the private keys with the "Keys" menu command. You can select one of these keys in the "Key number" drop-down list box. The client only has access to the access point when it

uses this private key. For this function, the client must support private keys.

Note

The private key set in the ACL must also be available in the key list on the client. The client must also use this private key for communication in Security->Basic->WLAN (the key must be set), if an open system with encryption or shared key is used.

The private key is used on this connection for the transferred unicast packets intended for the wireless client.

All multicast and broadcast packets are transferred with the public key set on the access point. The wireless client entered in the ACL list must therefore also enter this public key at the same location in its key list as the access point.

Example

In its cell, an access point uses the shared key setting with a 128-bit public key (default key 1) for encryption of the data traffic.

All wireless clients that register at this access point, require this public key at position 1 in their key list for communication.

If access for certain wireless clients is now restricted by the ACL list of the access point on the basis of a private key, the private key must first be stored in the key list of the access point and the appropriate wireless clients.

The next step is to enter the MAC addresses of these wireless clients in the ACL list of the access point and to assign the private key. If it is intended that these wireless clients should continue communication, the private key must be set on the wireless client directly under **Security->Basic->WLAN** and used for the encryption. Otherwise the clients could receive broadband or multicast packets, but no longer be addressed directly with unicast packets.

See also

CLI\SECURITY\ACL\WLAN1 (or \WLAN2 or \WLAN3) menu command (Page 201)

5.6.5.5 RADIUS Server menu command

Note

The "RADIUS" menu command is available only in access point mode.

Authentication over an external server

The concept of RADIUS is based on an external authentication server. A client can only access the network after the access point has verified the logon data of the client with the authentication server. Both the client and the authentication server must support the EAP protocol (Extensive Authentication Protocol). The SCALANCE W-700 supports the external authentication mechanisms EAP-TLS, EAP-TTLS and PEAP.

See also

CLI\SECURITY\RADIUS menu command (Page 202)

5.6.5.6 Access menu command

Access permissions for IP addresses

In this menu, you specify the access permissions for IP addresses. You can specify whether management access (SNMP, Telnet, WBM) is possible with the defined addresses:

- Management access is possible only with the defined addresses.

Or:

- Management access is possible with all IP addresses not included in the list.

Note

The defined access rights also apply to the PC used for configuration. If you have not entered the local IP address and have set the ACL mode to "Accessed", no further access to the SCALANCE W-700 is possible.

You should also note that the IP address of the client can change if you use DHCP without reservation.

See also

CLI\SECURITY\ACCESS menu command (Page 203)

5.6.6 The Bridge menu

5.6.6.1 Bridge menu command

Introduction

A bridge is a network component that connects two networks. A bridge is not dependent on the protocol; management of the data packages is based on the physical address of the network nodes (MAC address).

The SCALANCE W-700 provides bridge functionality because it handles data exchange between wired and wireless Ethernet. The following sections describe the functions that are available and how you configure and use them.

Deleting aged bridge information

The SCALANCE W-700 saves the information about which MAC address can be reached over which port in a learning table. Entries in this list are deleted automatically when there is no further data transfer for the corresponding MAC addresses. You can decide the length of

time after which addresses are deleted if no data is sent using the "Aging Time" parameter on the start page of the "Bridge" menu.

See also

CLI\BRIDGE menu command (Page 204)

5.6.6.2 WDS menu command

Note

The WDS menu command is available only in access point mode and when iPCF is not enabled.

Communication between access points

In normal operation, the SCALANCE W78x is used as an interface to a network and communicates with clients. There are, however, situations in which several access points need to communicate with each other, for example to extend wireless coverage or to set up a wireless backbone. This mode is possible with WDS (Wireless Distributed System).

Note

For SCALANCE W788-xPRO/RR and W74x-1PRO/RR only

With the firmware update to \geq V3.0, the SCALANCE W78x-xRR devices need to be reconfigured if you use WDS or redundancy and use the MAC address and not the sysName.

These functions are then based on the MAC address that changed with the introduction of VAPs with V3.0.

Configuration

In the "MAC / sysName" column, enter the MAC address or the system name of the access point with which you want to communicate. If you select the "Enc" check box, encryption is used.

Note

In WDS mode, the following restrictions apply:

- All access points that will communicate with each other must use the same channel.
 - You can select either WEP or WPA(2)_PSK as the encryption method.
If you want to use WPA_PSK or WPA2_PSK as the encryption method, you will need to set the WPA_PSK, WPA2_PSK or WPA/WPA2-AUTOPSK mode in the security settings and the WPA pass phrase on the relevant interface (VAP0). If a different security level is selected, you cannot use WPA(2)-PSK with WDS.
To activate WPA(2)-PSK, select the "WPA_PSK" entry instead of a key.
Once you have selected WPA-PSK or WPA2-PSK for a connection, all WDS connections must be protected by at least a WEP key.
 - If you want to attach a different access point from the SCALANCE W78x over WDS, you must configure the MAC address. Detection using the "sysName" parameter does not work in this situation.
 - In the IEEE 802.11h transmission mode, it is not practical to select the WDS mode. In WDS mode, all SCALANCE W78x devices must use the same channel. If a signal from a primary user is detected by an access point, the channel is changed automatically and the existing connection is then terminated.
 - As soon as you use the same channel for more than one WLAN interface, you will have to set WDS addressing using MAC addresses. Configuration with "sysName" can lead to registering with the wrong interface and probable impairment of communication.
-

To enable the entry, you select the "Sel" check box.

See also

CLI\BRIDGE\WDS\WLAN1 (or \WLAN2 or \WLAN3) menu command (Page 204)

5.6.6.3 VLAN menu command

Note

The "VLAN" menu command is available only in access point mode of a SCALANCE W78x.

Assignment and management of the VLAN IDs

The "Current VLAN Configuration" dialog displays a table with an overview of the configured VLAN IDs (VID). The assignment of the configured ports of the access point is also displayed as a member of these VLANs.

The "Name" is used to identify an entry within the current table. "Member List" displays 'U' for untagged member of a VLANs or '-' if a port is not member of a VLAN. The sequence is sorted from left to right in ascending order; in other words, according to the ID of the interface (WLAN 1, WLAN 1 VAP 1, WLAN 2 VAP 2... or WLAN 1 WDS 1, WLAN 1 WDS 2...).

Entries in red, indicate members in the table, entries in black indicate the configured port VLAN IDs.

If an interface is member of a VLAN ID, that is not the same as the port VID, frames arriving from Ethernet with this VLAN ID are accepted. Outgoing frames, however, always have the port VLAN ID.

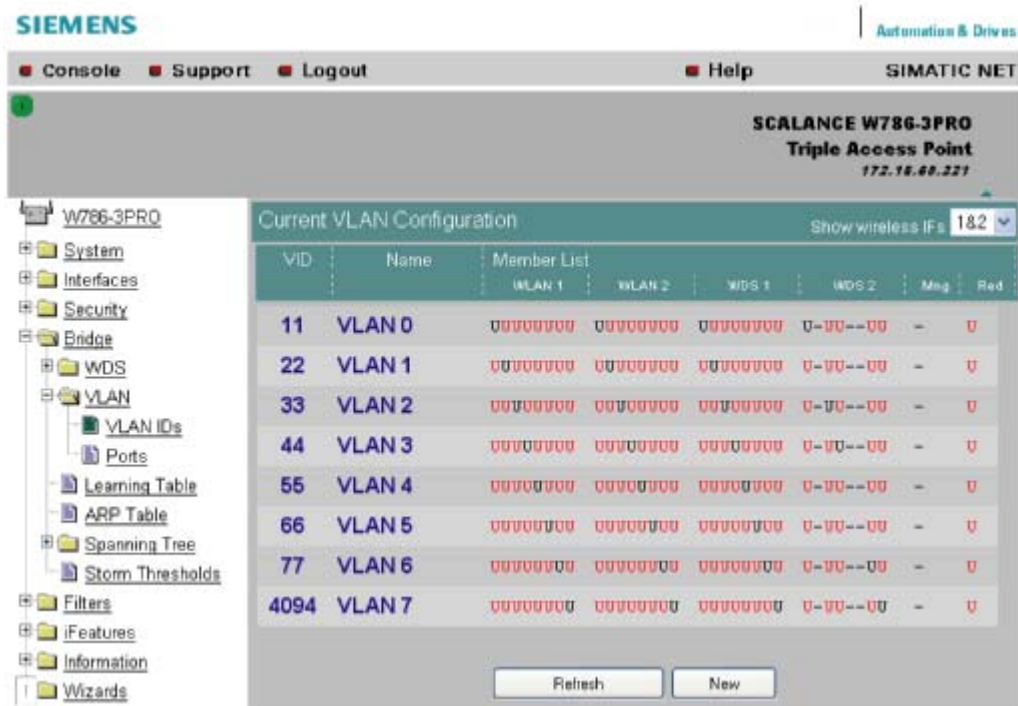
Click on "VID" or "Name" to open the configuration page for VLAN IDs. With "New", you create a new VLAN ID, with "Refresh", you can update the table.

Note

The Ethernet interface does not remove VLAN tags from outgoing frames.


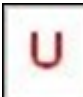


If the VLAN is active, the WLAN interfaces always remove all VLAN tags from the outgoing frames.



Member List	Description
U	If VID equals port VID; in other words untagged frames from WLAN are given this VID.
U	If the port is a member of the VID; in other words, tagged frames from Ethernet are forwarded on this port.
—	If the port is not a member of the VID; in other words, all the frames coming from Ethernet are blocked / discarded with the corresponding VLAN ID. Frames containing unconfigured VIDs and untagged frames are always blocked if the VLAN is active.

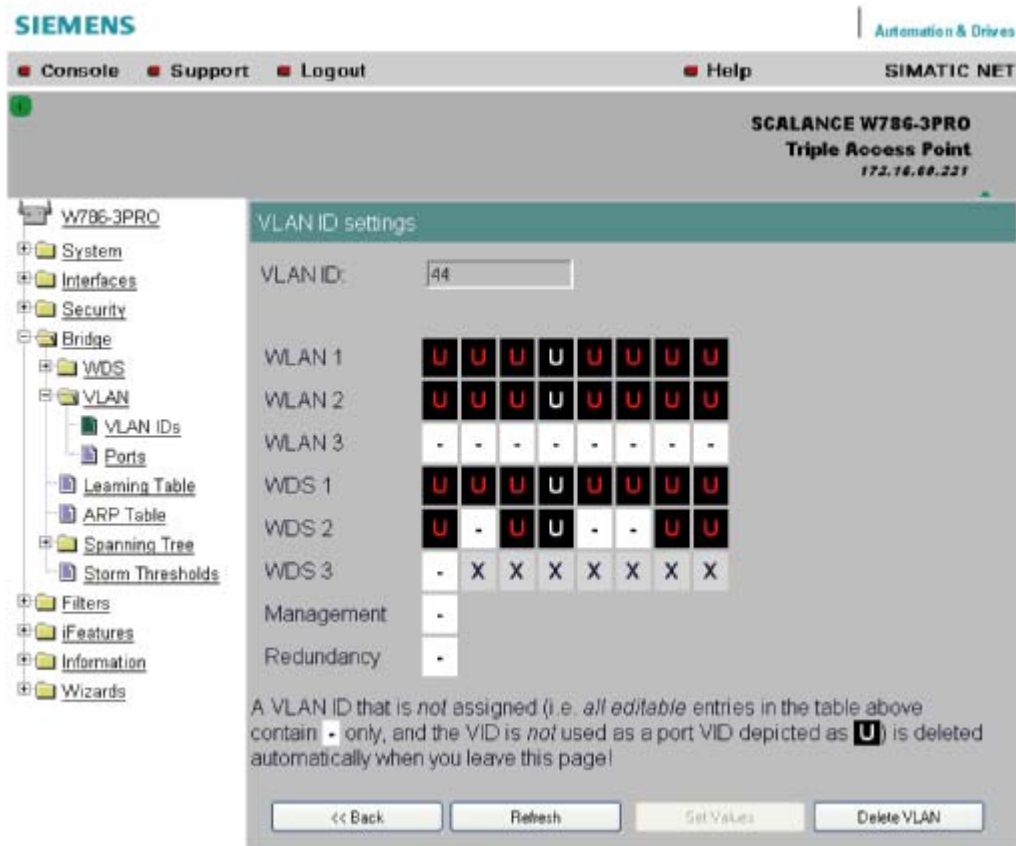


VLAN ID settings

The VLAN ID box allows you to enter a new VID as long as no port is assigned explicitly as member. Otherwise, the VID can no longer be modified.

Representation	Settings	Description
1		Field can be edited. If all editable boxes are displayed in this way and if the VID is not configured as port VID, the VID is deleted when you exit this page. Clicking on the field changes to depiction 2.
2		Field can be edited. Clicking on the field changes to depiction 1.
3		Field cannot be edited. All entries for VLAN membership are being used.
4		Field cannot be edited. VID corresponds to the port VID

Representation	Settings	Description
5		Field cannot be edited. Corresponding port is set to "all VLANs",
6		Field cannot be edited. Corresponding port is not configured so no VLAN can be assigned.



SIEMENS | Automation & Drives

Console Support Logout Help SIMATIC NET

SCALANCE W786-3PRO
Triple Access Point
172.16.69.221

W786-3PRO

- System
- Interfaces
- Security
- Bridge
 - WDS
 - VLAN
 - VLAN IDs
 - Ports
 - Learning Table
 - ARP Table
 - Spanning Tree
 - Storm Thresholds
- Filters
- iFeatures
- Information
- Wizards

VLAN ID settings

VLAN ID:

WLAN 1	U	U	U	U	U	U	U
WLAN 2	U	U	U	U	U	U	U
WLAN 3	-	-	-	-	-	-	-
WDS 1	U	U	U	U	U	U	U
WDS 2	U	-	U	U	-	-	U
WDS 3	-	X	X	X	X	X	X
Management	-						
Redundancy	-						

A VLAN ID that is *not* assigned (i.e. *all editable* entries in the table above contain '-' only, and the VID is *not* used as a port VID depicted as **U**) is deleted automatically when you leave this page!

<< Back Refresh Get Values Delete VLAN

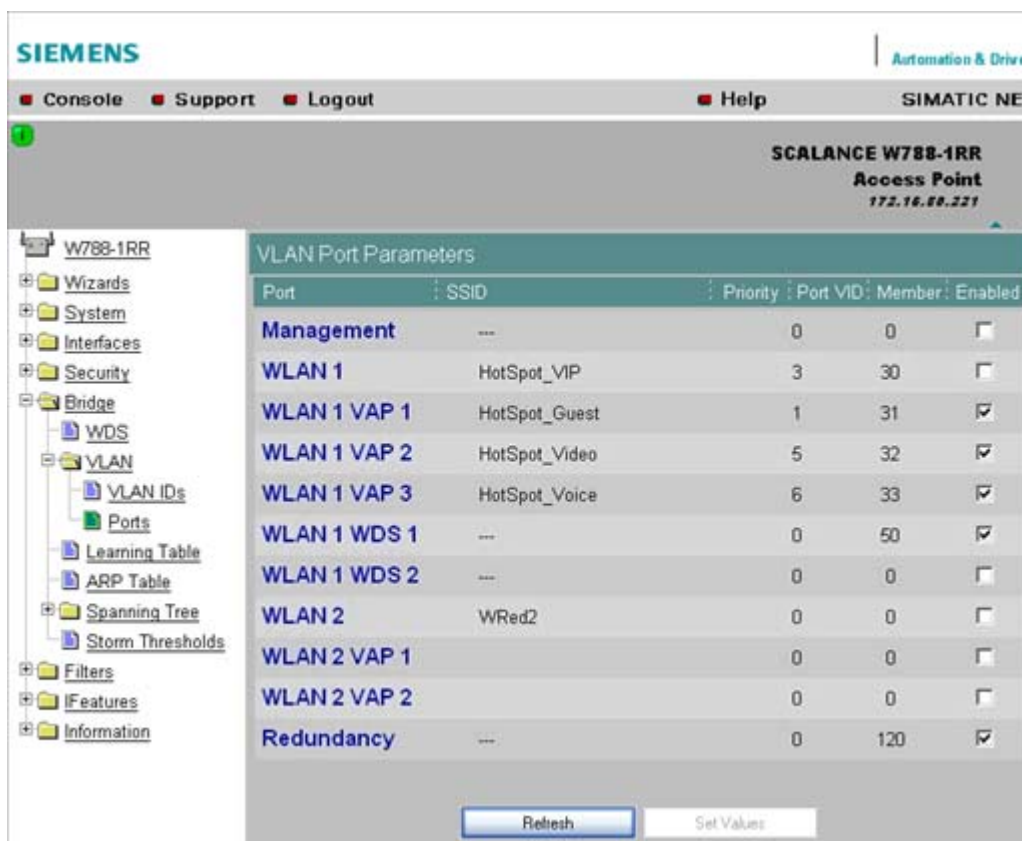
Ports

Port: Overview of the ports in the form of a table.

"SSID": SSID for WLAN interface, no entry for WDS or management and redundancy.

"Priority": Configured priority of the port.

"Port VID": VLAN ID directly assigned to the port.
 "Member": The VLAN membership assigned to the port.
 "Enabled": VLAN support can then be enabled / disabled directly.
 Clicking on a port opens the VLAN Settings configuration page.



Note

If you use a Radius server for authentication, this must be accessible over the management VLAN. Among other things, the management port also handles the functions: HTTP, HTTPS, WBM, Telnet, SSH, Ping, DHCP, TFTP, SNMP, SNTP and Syslog.

Note

The IP and MAC-based nodes downstream from a client with enabled layer 2 tunneling function (L2T client) adopt the same VLAN properties as the client.

Example:An L2T client is connected to the access point over the WLAN1 VAP3 interface. WLAN1 VAP3 is a member of the VLAN ID 33 that is assigned priority 6. For the L2T port, this means that the devices connected downstream from the L2T client and the client itself are also members VLAN ID 33 with priority 6.

VLAN settings

"VLAN enabled": VLAN support can then be enabled / disabled directly.

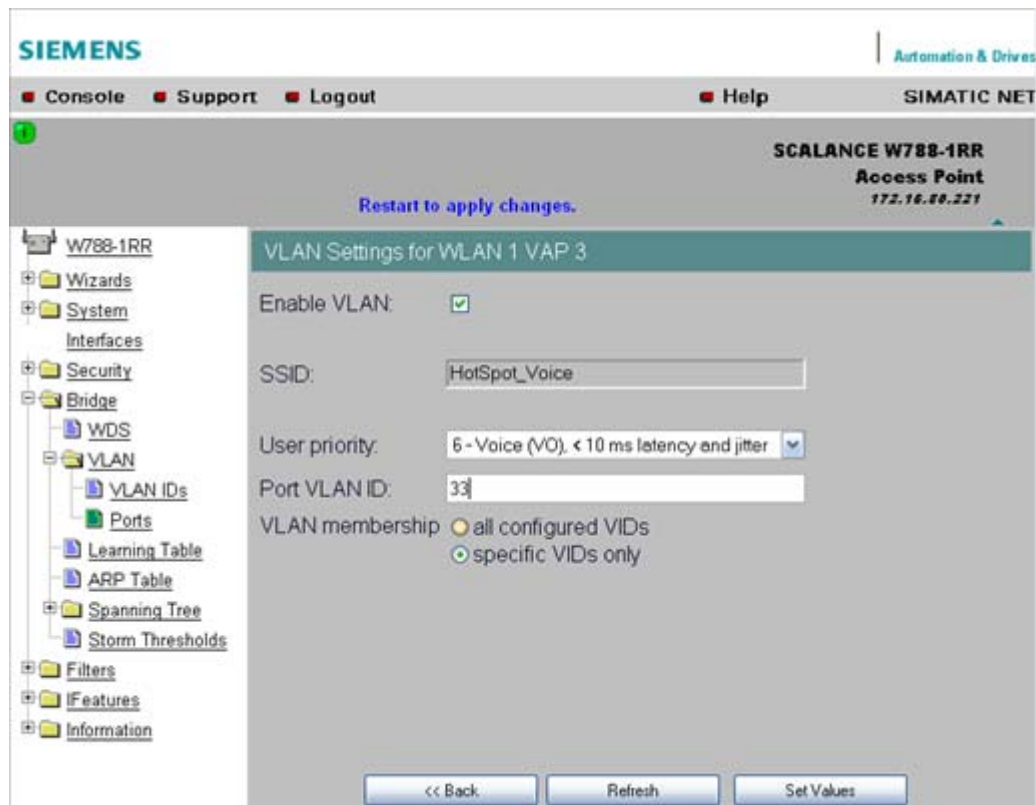
"User Priority": Prioritizing the data traffic via the port. Untagged frames are given this priority.

"Port VLAN ID": Entry of the VLAN ID.

"VLAN Membership"

"All VIDs": Automatic setting of the port as member of all configured VIDs.

"Specific VIDs only": Member of up to eight, freely assignable configured VIDs per port.



VLAN enable

Select the "VLAN enable" option if you want to enable the VLAN function. If "VLAN enable" is selected, all frames of this VAP are given a VLAN tag.

User priority

Specify the priority of the frames of this VAP with the "User priority" drop-down list box. The priority is evaluated by the connected VLAN-compliant switches (for example, SCALANCE X-400) of the network. The priority rises with the ascending numbers:

Note

The priority generally increases with the ascending numbers. The exception is priority 0, that has a higher priority than priority classes 1 and 2 and has the same priority as class 3.

- "0 - Best Effort (BE)"
Normal data traffic.
- "1 - Background (BK)"
Non time-critical data traffic.
- "2 - Spare (--)"
This priority is reserved
- "3 - Excellent Effort (EE)"
Data traffic with highest priority
- "4 - Controlled Load (CL)"
- "5 - Voice (VI), < 100 ms latency and jitter"
Video/multimedia
- "6 - Voice (VO), < 10 ms latency and jitter"
Voice over IP
PNIO
- "7 - Network Control (NC)"
Internal network control frames

Default is 0 - Best Effort (BE).

Note

Both voice over IP and PNIO have priority 6.

Port VLAN ID

Here, you enter the VLAN ID (VID) of the VLAN on which the virtual access point will communicate.

The individual VLANs are configured in the VLAN-compliant Industrial Ethernet switches (for example SCALANCE X-400). The VID of a VLAN is in the range from 1 to 4094.

VLAN membership

Here, you specify the VLANs for which the virtual access point will be a member or which other VLANs the port VLAN ID (VID) entered above will be assigned to.

The following alternatives in the assignment are possible:

- "all"
The VAP is member of all VLANs.

- "only"
The VAP is member only of the VLANs entered below.

Here, enter the VLAN ID (VID) of up to 8 VLANs in which the VAP will be a member.

See also

CLI\BRIDGE\VLAN\VLAN_ID menu command (Page 205)

CLI\BRIDGE\VLAN\PORTS menu command (Page 206)

5.6.6.4 Learning Table menu command

Assignment of MAC address and port

The learning table contains the information about whether a MAC address can be reached over the wired Ethernet interface or over the wireless interfaces. The SCALANCE W-700 obtains this information from the active data exchange. The learning table also contains information on clients and on up to 8 devices connected downstream from it operating in the layer 2 tunneling mode.

5.6.6.5 ARP Table menu command

Assignment of MAC address and IP address

The ARP protocol (Address Resolution Protocol) obtains the corresponding MAC address of a known IP address. The page of this menu command also indicates the interface over which an address can be reached. The last column indicates how the information was obtained (for example "dynamic" if it was obtained during operation or "static" if it was configured).

5.6.6.6 Spanning Tree menu command

Note

The "Spanning tree" menu command is available only when you use the SCALANCE W78x in access point mode.

Avoiding loops on redundant connections

The spanning tree algorithm allows network structures to be created in which there are several connections between two stations. Spanning tree prevents loops being formed in the network by allowing only one path and deactivating the other (redundant) ports for data traffic. If there is an interruption, the data can be sent over an alternative path. The functionality of the spanning tree algorithm is based on the exchange of configuration and topology change frames.

Definition of the network topology using the configuration frames

Network components exchange configuration frames known as BPDUs (Bridge Protocol Data Unit) with each other to calculate the topology. The root bridge is selected and the network topology created using these frames. The root bridge is the bridge that controls the spanning tree algorithm for all involved components. BPDUs also bring about the status change of the bridge ports.

Rapid Spanning Tree

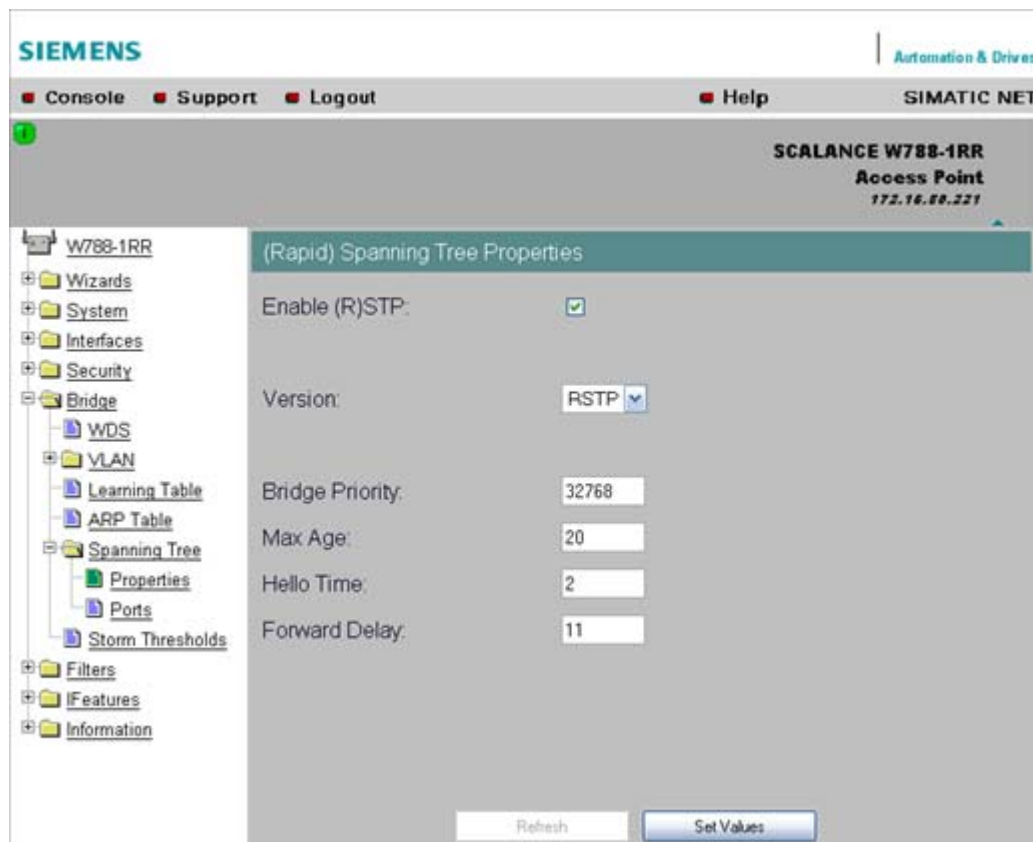
The rapid spanning tree algorithm is based on the spanning tree algorithm. This was optimized in terms of the reconfiguration time. Typical reconfiguration times for Spanning Tree are between 20 and 30 seconds. With rapid spanning tree, the reconfiguration times are around 1 second. This was achieved by the following measures:

- **Edge ports**
A port defined as an edge port is activated after the hello time (the time between two configuration frames). When the hello time has elapsed, the station can be certain that no further configuration frame will arrive and that this port is an edge port. If the user wants to avoid the hello time, spanning tree can be disabled at this port.
- **Point to Point (direct communication between two neighboring stations)**
By directly linking network components, a status change (reconfiguration of the ports) can be made without any delays. A point-to-point connection can, for example, be a WDS connection between two access points.
- **Alternate port (substitute for the root port)**
A substitute for the root port is configured. If the connection to the root bridge is lost, the station can establish a connection over the alternate port without any delay by reconfiguring.
- **Filter table**
In rapid spanning tree, ports affected by a reconfiguration are immediately deleted from the filter table. With spanning tree, on the other hand, the point at which a port is deleted is decided by the time when the port was entered in the filter table.
- **Reaction to events**
Rapid spanning tree reacts to events, for example an aborted connection, without delay. There is no waiting for timers as in spanning tree.

In principle, therefore with rapid spanning tree, alternatives for many parameters are preconfigured and certain properties of the network structure taken into account to reduce the reconfiguration time.

(Rapid) Spanning Tree configuration

The parameters used for the (Rapid) Spanning Tree protocol are displayed in the "(Rapid) Spanning Tree Properties" menu.



If necessary, modify the following parameters to specify how the (rapid) spanning tree algorithm operates:

- **Enable (R)STP check box**
Select the Enable Spanning Tree check box if you want to use the (rapid) spanning tree algorithm. If the check mark is not set, all ports are automatically in the 'Forwarding' status.
- **Version drop-down list box**
The version decides whether the Rapid Spanning Tree protocol (RSTP) is used or whether the device is operated in compatibility mode of the Spanning Tree protocol (STP).
- **Bridge Priority input box**
The identification of the most efficient connection is always related to the root bridge, a network component that can be considered as a root element of a tree-like network structure. With the "Bridge Priority" parameter you can influence the selection of the root bridge.
The bridge with the highest priority (in other words, with the lowest value for this parameter) becomes the root bridge. If several network components in a network have the same priority, the station whose MAC address has the lowest numeric value will become the root bridge. Both parameters, bridge priority and MAC address together form the Bridge Identifier. Since the root bridge manages all path changes, it should be located as centrally as possible due to the propagation time of the frames. The value for the bridge priority is a whole multiple of 4096 with a range of values from 0 through 61440.
- **Max Age input box**
Max Age is the time that a bridge waits for a configuration frame (BPDU). When this time

has elapsed, the bridge attempts to reconfigure the network. The default for this parameter is 20 seconds.

- Hello Time input box
 Each bridge regularly sends configuration frames (BPDUs). The interval between two such frames is the "Hello time". The default for this parameter is 2 seconds.
- Forward Delay input box
 New configuration data is not used immediately by a bridge but only after the period specified in the Forward Delay parameter. This ensures that operation is started with the new topology only after all the bridges have the required information. The default for this parameter is 15 seconds.

Spanning Tree Port settings

Port-specific parameters

This page displays the current port parameters. The settings are made either using the automatic function of the SCALANCE W-700 or by the user.

The screenshot shows the Siemens SIMATIC NET web interface for a SCALANCE W788-1RR Access Point. The navigation tree on the left includes sections for W788-1RR, Wizards, System, Interfaces, Security, Bridge, WDS, VLAN, Learning Table, ARP Table, Spanning Tree (with sub-items Properties and Ports), Storm Thresholds, Filters, IFeatures, and Information. The main content area displays the '(R)STP Port Parameters' table.

Port	Priority	STP Cost	RSTP Cost	Edge	P.L.P.	Enabled
Ethernet	128	100	0	X	Auto	<input checked="" type="checkbox"/>
WLAN 1	128	100	0	X	Auto	<input checked="" type="checkbox"/>
WLAN 1 VAP 1	128	100	0	X	Auto	<input checked="" type="checkbox"/>
WLAN 1 VAP 2	128	100	0	X	Auto	<input checked="" type="checkbox"/>
WLAN 1 VAP 3	128	100	0	X	Auto	<input checked="" type="checkbox"/>
WLAN 1 VAP 4	128	100	0	X	Auto	<input checked="" type="checkbox"/>
WLAN 1 VAP 5	128	100	0	X	Auto	<input checked="" type="checkbox"/>
WLAN 1 VAP 6	128	100	0	X	Auto	<input checked="" type="checkbox"/>
WLAN 1 VAP 7	128	100	0	X	Auto	<input checked="" type="checkbox"/>
WLAN 1 WDS 1	128	100	0	-	Auto	<input checked="" type="checkbox"/>
WLAN 1 WDS 2	128	100	0	-	Auto	<input checked="" type="checkbox"/>
WLAN 1 WDS 3	128	100	0	-	Auto	<input checked="" type="checkbox"/>
WLAN 1 WDS 4	128	100	0	-	Auto	<input checked="" type="checkbox"/>
WLAN 1 WDS 5	128	100	0	-	Auto	<input checked="" type="checkbox"/>
WLAN 1 WDS 6	128	100	0	-	Auto	<input checked="" type="checkbox"/>
WLAN 1 WDS 7	128	100	0	-	Auto	<input checked="" type="checkbox"/>

At the bottom of the table, there are buttons for 'Refresh' and 'Set Values'.

The eight columns of the port table show the following information:

- **Port**
 Specifies the ports to which the information relates. WLAN1 VAP2, for example, relates to the virtual access point VAP2 on the first WLAN interface.
- **Priority**
 You set the priority of the ports of a bridge with this parameter.
 If the path calculated by spanning tree is possible over several ports of a switch, the port with the highest priority (in other words the lowest value for this parameter) is selected. A value from 0 through 240 can be specified for the priority; the default is 128.
- **STP Cost & RSTP**
 These parameters are used to calculate the path that will be selected. The lower the value, the greater the probability that the corresponding path will be used. If several ports of a bridge have the same value, the port with the lowest port number will be selected. Depending on whether STP or RSTP was selected as the version, the value of STP Cost or RSTP Cost will be used.
 The calculation of the path costs is based mainly on the transmission speed. The higher the achievable transmission speed, the lower the value for Path Cost should be.
 Typical values for spanning tree and rapid spanning tree are as follows:
 (The values can, however, also be set individually.)

Data rate	Path costs STP	Path costs RSTP
100 Mbps	19	200.000
54 Mbps	33	370.370
48 Mbps	36	416.667
36 Mbps	43	555.556
24 Mbps	53	833.333
18 Mbps	58	1.111.111
12 Mbps	83	1.666.667
11 Mbps	90	1.818.182
10 Mbps	100	2.000.000
9 Mbps	111	2.222.222
6 Mbps	166	3.333.333
5.5 Mbps	181	3.636.364
2 Mbps	500	10.000.000
1 Mbps	1000	20.000.000

- **Edge**
 The following entries are possible in the this column.
 yes There is an end device on this port.
 no There is a spanning tree or rapid spanning tree device on this port.
 If an end device is connected, a SCALANCE X-700 can switch over the port more quickly without taking into account spanning tree frames. If a spanning tree frame is received despite this setting, the port automatically changes to the no setting for further stations.

Note

If clients with the layer 2 tunneling function enabled connect to the access point, a separate port is opened for each of these clients. These ports cannot, however, be configured for Rapid Spanning Tree. The settings (for example, priority and path costs etc.) of the cell over which the client is connected to the access point are adopted.

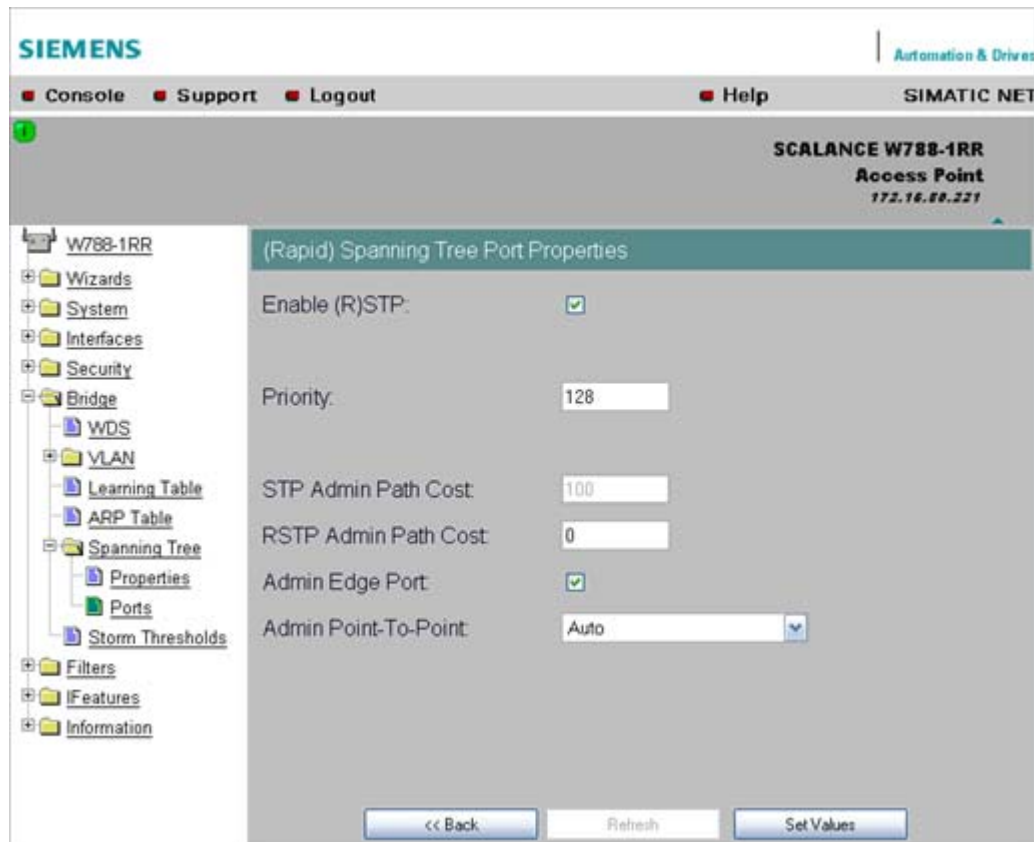
Example:An L2T client is connected to the access point over the WLAN1 VAP3 interface. The settings for WLAN1 VAP3 are: priority 128, path costs for STP of 100, path costs for RSTP of 0 and the setting EdgePort enabled (in other words, there is an end device on this port). These settings are adopted for the L2T port with one exception.

The Edge-Port enabled setting is not adopted because layer 2 tunneling clients and the ports downstream from the client can never be edge ports.

- P.t.P.
There is a point-to-point link when two RSTP-compliant network components are connected together over this port. There are three possible statuses :
 - ForceTrue
Even with half duplex, a direct link is assumed.
 - ForceFalse
Despite a full duplex connection, a point-to-point link is not assumed.
 - Auto
Point-to-point is detected automatically. If the port is set to half duplex (shared media connection), a direct link is not assumed.
 - Example: A WDS connection between access points is always a half duplex connection. With the setting ForceTrue, a direct connection is assumed. With Auto, a direct connection is not assumed.
- Enabled
Shows whether spanning tree is enabled or disabled for the port.

Configuration of a port for (Rapid) Spanning Tree

If you click on a port name in the first column, you open the "(Rapid) Spanning Tree Port Properties" page:



"Enable (R)STP" check box

Enable this check box, if you want the port to use the (rapid) spanning tree protocol.

- Priority input box
Enter a value here for the port priority between 0 and 240.
- "Admin Path Cost" input box
Here, you can enter a value for the STP or RSTP Path Cost parameter. The relevant value is then used depending on the selected version.
If you enter a zero for the RSTP value, the value for the path costs is calculated automatically.
- "Admin Edge Port" check box
Enable this check box if an end device is connected to this port, otherwise a reconfiguration of the network will be triggered by every link change.
- "Admin Point to Point Status" drop-down list box
There are three possible settings:
 - Shared media Connection is selected:
This corresponds to "ForceFalse" in the port table.
 - Point to Point Connection is selected:
This corresponds to "ForceTrue" in the port table.
 - Point to Point Connection and Shared Media Connection are selected:
This corresponds to "Auto" in the port table.

Note

Point-to-point means a direct connection between two stations. A shared media connection would, for example, be a connection from the Ethernet port to a hub or a WDS connection between two access points.

See also

CLI\BRIDGE\SPANNING menu command (Page 206)

CLI\BRIDGE\SPANNING\PORTS menu command (Page 207)

5.6.6.7 Storm Threshold menu command

Note

The "Storm Threshold" menu command is available in access point and in client mode. The function can only be used in client mode if NAT is disabled.

Limitation of broadcast and multicast frames

Storm Threshold is the maximum number of broadcast or multicast frames per second forwarded by the SCALANCE W-700. If this limit is exceeded, the SCALANCE W-700 stops processing such frames for 30 seconds.

See also

CLI\BRIDGE\STORMTHR menu command (Page 208)

5.6.6.8 NAT menu command

Note

This menu command is available only with the following variants:

- SCALANCE W746-1PRO
 - SCALANCE W746-1
 - SCALANCE W747-1RR
 - SCALANCE W747-1
 - SCALANCE W78x (client mode only)
-

What is NAT?

With Network Address Translation (NAT), the IP address in a data packet is replaced by another. NAT is normally used on a gateway between a private LAN and an external network

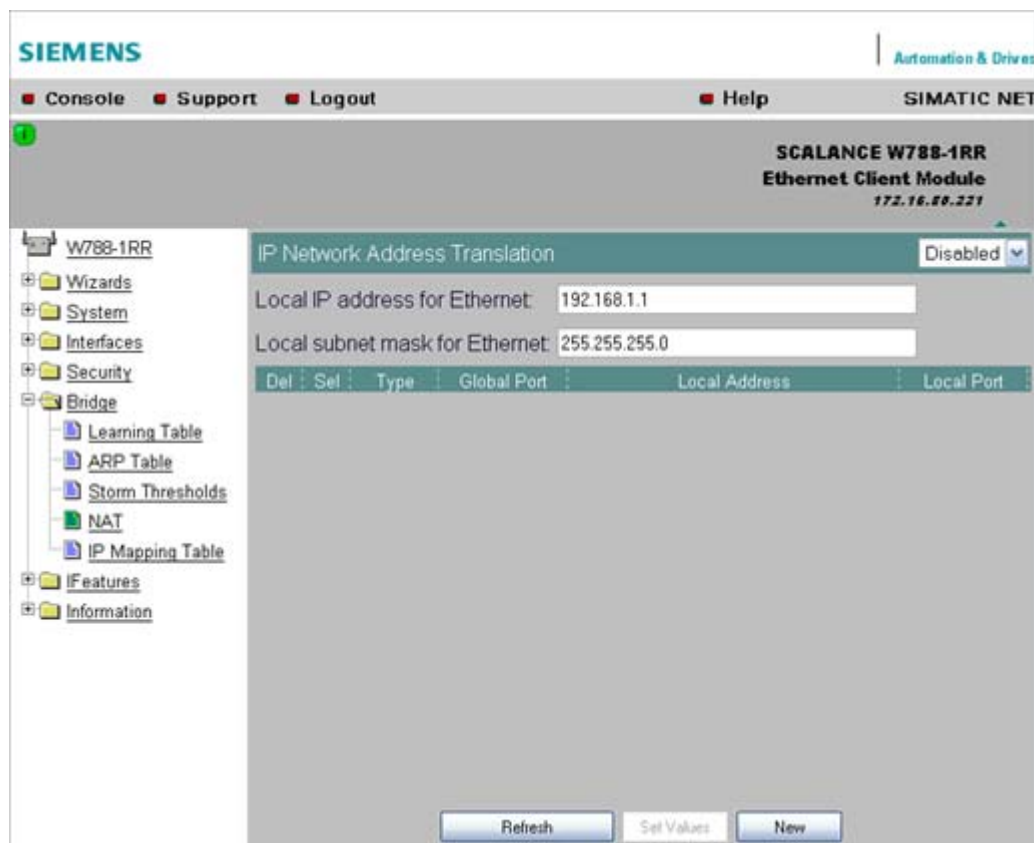
with globally valid IP addresses. A local IP address of the internal LAN is changed to an external global IP address by a NAT device at the gateway.

To translate the internal into the global IP address, the NAT device maintains a translation list.

What is NAPT?

In "Network Address Port Translation" (NAPT) or "Port Address Translation" (PAT), several internal source IP addresses are translated into the same external source IP address. To identify the individual source nodes, the port of the source device is also stored in the translation list of the NAT gateway and translated for the external address.

If several local clients send a query to the same external destination IP address over the NAT gateway, the gateway enters its own external source IP address in the header of these forwarded frames. Since the forwarded frames have the same global source IP address, the NAT gateway assigns the frames to the clients using different port number.



Note

NAT/NAPT is possible only on layer 3 of the ISO/OSI reference model. To use the NAT function, the networks must use the IP protocol.

When using the ISO protocol that operates at layer 2, it is not possible to use NAT.

NAT properties of the SCALANCE devices

When using the following WLAN clients as a NAT gateway, the WLAN clients must be connected with the local Ethernet devices over the Ethernet port:

- SCALANCE W746-1PRO
- SCALANCE W746-1
- SCALANCE W747-1RR
- SCALANCE W747-1
- W78x (in client mode)

The local IP address of the WLAN client on the Ethernet devices must be entered as the gateway address.

The address assignment differs depending on the communication direction:

- From Ethernet device to access point: "Dynamic" address assignment (NAT)
The continuous address assignment is made automatically.
- From Access point to Ethernet device: "Static" address assignment (NAPT)
The address assignment is fixed and must be set as a parameter.

32 entries can be set as NAT gateways per WLAN client.

Configuration

Set the configuration on the IP Network Address Translation page with the following settings:

- Enable NAT
Click the "Enable" check box if you want to enable NAT.
Caution: The change is adopted only after a restart!
- Local IP
Here, you enter the local IP address for the Ethernet port of the WLAN client.
- Subnet Mask
Enter a subnet mask for the local Ethernet network here, if applicable.
- Del
Select the "Delete" check box if you want to delete the previous entries on this page.
- Sel
Select the "Select" check box if you want to enable the current entries.
- Type
Here, you select the assignment TCP or UDP for the following global port. Parameters for TCP and UDP frames are set separately.
- Global Port
Enter the number of the global port (for TCP or UDP).

Note

If the port is already occupied by a local service (for example Telnet), a warning is displayed. In this case, avoid using port 23 (Telnet), port 22 (SSH) and ports 80/443 (http/https: availability of the client with the WBM) as global port.

- Local Address
Here, you enter the local address of the Ethernet device.

- Local Port
Here, you enter the number of the local port of the Ethernet device.

Note

The following instructions apply only to the IP parameter assignment using the PST tool.

When the module is accessed with PST by a configuration computer, the address assignment differs depending on the interface:

- PST over the wireless interface:
The "global" address is changed.
 - PST over the Ethernet interface:
The "local" address is changed.
-

See also

CLI\BRIDGE\NAT menu command (Page 209)

CLI\BRIDGE\NAT\STATIC menu command (Page 209)

5.6.6.9 IP Mapping Table menu command

Note

This menu command is available only with the following variants:

- SCALANCE W746-1PRO
 - SCALANCE W746-1
 - SCALANCE W747-1RR
 - SCALANCE W747-1
 - SCALANCE W78x in client mode
-

Note

IP mapping table

If layer 2 tunneling is configured for a client, the IP mapping table is not displayed.

WLAN access by several devices over a client

With the devices listed in the first paragraph, you can provide access to the WLAN for several devices with one client. This means that you do not need to equip every device with its own wireless client.

This so-called IP mapping is possible only if the connected devices are addressed only by IP frames. Communication at MAC address level (ISO/OSI layer 2) can

- be established with one component whose MAC address is configured on the client,

- be established with a maximum of eight components if the layer 2 tunneling function is selected.

The layer 2 tunneling setting meets the requirements of industrial applications in which MAC address-based communication takes place with several devices downstream from the client. Clients with this setting cannot connect to standard Wi-Fi devices and access points with firmware V3.0 or older.

MAC Mode

IP frames in the direction from the client to the access point always have the MAC address of the WLAN interface as the source MAC address. As a result, the ARP tables at the access point end always contain only the MAC address of the WLAN interface of the clients.

If there are further devices downstream from the client, the Auto Find 'Adopt MAC' option should not be enabled. In this case, the MAC address would be assigned indiscriminately to the first device that signals over Ethernet.

If there is only IP communication between the access point and the client, the default setting "AdoptOwnMAC" can be retained. If frames based on MAC addresses are also sent by devices downstream from the client, you will need to make the Adopt MAC settings manually.

Select Autofind Adopt MAC or layer 2 tunneling.

MAC address/IP address assignment

The client maintains a table with the assignment of MAC address and IP address to be able to send incoming IP frames to the correct MAC address. The "IP Mapping Table" menu command displays this table. In principle, any number of device is can be reached downstream from a client using IP. The client can manage up to eight devices. When a new device is added, the oldest entry is deleted from the table to make space is for the new entry. Since the data throughput of a wireless connection cannot be increased indefinitely, a maximum of the devices should be managed by one client.

See also

Adopt MAC Address settings (only for clients or access points in client mode) (Page 76)

5.6.7 The Filters menu

5.6.7.1 Filters menu command

Note

The "Filters" menu and the corresponding menu commands are available only when you operate the SCALANCE W78x in the access point mode. You can specify the mode in the "System" menu.

5.6.7.2 MAC Filters menu command

MAC filter

If the MAC filter is activated, communication with clients on the Ethernet side is possible only when their source MAC addresses are entered in the table. As an alternative, there is a possible setting with which access is denied for all specified MAC addresses. You can enter a maximum of 50 MAC addresses in the table.

With IP mapping of a SCALANCE W78x in client mode, only the MAC address assigned to this device is relevant, the MAC addresses of the devices downstream from it on the Ethernet side are irrelevant for filtering.

If the "WDS" check box is selected, there is also filtering over the WDS ports.

See also

CLI\FILTERS\MAC1FLT menu command (Page 210)

5.6.7.3 MAC Dir Filter menu command

Restriction of the data traffic between MAC addresses

It is possible to filter the data traffic intended for wireless clients linked to the access point. This filter is used to permit a specified MAC address access only to other specified MAC addresses. You can specify several source addresses or entries for one destination address. The communication of the destination address is then restricted to these entries. If a destination address is not entered in the filter, it is not subjected to any restrictions.

See also

CLI\FILTERS\MAC2FLT menu command (Page 211)

5.6.7.4 Protocol Filter menu command

Protocol selection

Without protocol filtering, the SCALANCE W78x processes all data packets regardless of the protocol being used. To increase data security and to reduce load, it can nevertheless be useful to prevent communication using certain protocols.

Here, you are not restricted to the protocols included in the list in this menu. If necessary, you can add your own entries to this list. You can specify a maximum of 50 Ethernet II protocols for which filtering is required.

See also

CLI\FILTERS\PROTO menu command (Page 212)

5.6.8 The I-Features menu

5.6.8.1 I-Features menu command

Note

The "I-Features" menu and the corresponding menu commands are available only when you operate the SCALANCE W78x in the access point mode. You can specify the mode in the "System" menu.

The iPCF menu command is available only for a SCALANCE W747-1RR, SCALANCE W747-1 and an IWLAN/PB LINK.

5.6.8.2 iQoS menu command (in access point mode only)

Note

This function is not available in iPCF mode.

Client-specific bandwidth reservation

iQoS (Quality of Service) is technique with which clients are assigned a certain bandwidth. Due to this assignment, there is a high probability that data transmission to these clients will be within a defined period. This technique can be useful when response times must be guaranteed. If non-iQoS-clients put too much load on the network, they can be logged off from the AP to guarantee data traffic for iQoS clients.

Note

To ensure problem-free functioning of the iQoS mode, the number of clients with bandwidth reservation is restricted to four.

Note

If the user reserves data for critical clients, this data rate also includes the frame header (in other words, 802.11, MAC, IP, TCP, and S7 header). A SIMATIC user must therefore take into account not only the net data during configuration but also the headers.

Response Time

In the "Response Time" input box, you enter the required response time of the SCALANCE W78x over the wireless interface. Remember that this value represents the transmission time for the data from the SCALANCE W78x to the client. The data transmission rate for nodes not included in the list is reduced according to the values specified.

See also

CLI\IFEATURES\IQOS\WLAN1 (or \WLAN2 or \WLAN3) menu command (Page 212)

5.6.8.3 Forced Roaming on IP Down menu command (in access point mode only)

Note

Forced roaming on IP Down cannot be used in conjunction with iPCF or WDS on the same WLAN interface.

Configuration

After selecting the "Forced Roaming on IP Down" check box, you can configure the following parameters:

- **Destination IP address**
The IP address of the device for which a connection will be monitored.
- **Interval (100 - 5000 ms)**
Cycle time in milliseconds after which the IP connection will be checked.
- **Maximum lost packets (1 - 5)**
Maximum number of consecutive lost packets after which the WLAN interface is deactivated.

See also

CLI\IFEATURES\FORCED_ROAM\WLAN1 (or \WLAN2 or \WLAN3) menu command (Page 214)

5.6.8.4 Link Check menu command (in access point mode only)

Note

This function is not available in iPCF mode.

Note

With the Link Check function, you can only monitor connections to WLAN clients; use along with redundancy or WDS is not possible.

Table of monitored devices

In the drop-down list box of the "Link Check" title line, you decide whether connection monitoring is enabled or disabled. Only connections to devices for which the check box in the "Sel" column is selected will be monitored.

You can delete entries in the table by selecting the relevant check box in the "Del" column and clicking the "Set Values" button. You can create new list entries after clicking the "New" button. You can then enter the MAC address and the monitoring time.

System event for connection abort

You can specify how the SCALANCE W78x reacts to a connection abort (or to the reestablishment of a connection) in the **System > Events** menu.

See also

CLNIFEATURES\LINKCHECK menu command (Page 215)

5.6.8.5 Redundancy menu command (in access point mode only)

Note

The redundancy function described here is available only for SCALANCE W78x devices that have more than one wireless adapter and that are not operated in iPCF mode.

You can use the **WEP** encryption method.

Configuration with sysName

Instead of the MAC addresses, you can also configure the redundant partners with the "sysName" parameter. Beacons contain this parameter which is why the redundant device is detected using beacons.

Note

With the firmware update to to V3.0, the SCALANCE W78x-xRR devices need to be reconfigured if you use WDS or redundancy and use the MAC address and not the sysName.

These functions are then based on the MAC address that changes with the introduction of VAPs with V3.0.

Note

If IEEE 802.1x or WPA is used, a "private key" must be selected for the redundant connection.

See also

CLI\IFEATURES\REDUNDANCY menu command (Page 216)

5.6.8.6 IP Alive menu command (in access point mode only)

Table of monitored devices

In the "IP Alive" drop-down list box, you decide whether connection monitoring is enabled or disabled. Only connections to IP addresses for which the check box in the "Sel" column is selected will be monitored.

You can delete entries in the table by selecting the relevant check box in the "Del" column and clicking the "Set Values" button. You can create new list entries after clicking the "New" button. You can then enter the MAC address and the monitoring time.

Monitoring independent of the port

With IP-Alive, you specify a monitoring time for an IP address and a port. If you do not want to monitor a particular port but rather only the data traffic from a particular IP address, simply enter 0 in Port. This resets the monitoring with each frame from this IP address.

System event for connection abort

You can specify how the SCALANCE W78x reacts to change in the IP-Alive status in the **System > Events** menu.

Note

The IP-Alive function is not available in iPCF mode.

Note

If the IP Alive function does not detect any data traffic for the specified time, the status of the IP address is set to "Offline" and the error status activated. The error status must be confirmed before the IP Alive function sets the status for active data traffic back to "Online".

See also

CLI\IFEATURES\IP_ALIVE menu command (Page 217)

5.6.9 The Information menu

5.6.9.1 Information menu command

System events and information on the protocols

The pages of this menu display tables contain information on system events and on the behavior of the protocols (IP, TCP, UDP, and ICMP, SNMP).

Updating the display

Most pages have the "Refresh" button at the bottom edge with which you can update the display. The "Client List" menu command also allows you to update automatically. To activate this, select the "Update" check box.

See also

CLIINFORM menu command (Page 217)

5.6.9.2 Log Table menu command

Logging system events

This page lists system events and the time at which they occurred. You can specify which events are included here in the **System > Events** menu.

If you position the mouse pointer over a time value, the system time and date are displayed.

See also

CLIINFORMLOG menu command (Page 218)

5.6.9.3 Auth Log menu command

Logging authentication

The pages of this menu contain a table with information on successful or failed authentication attempts.

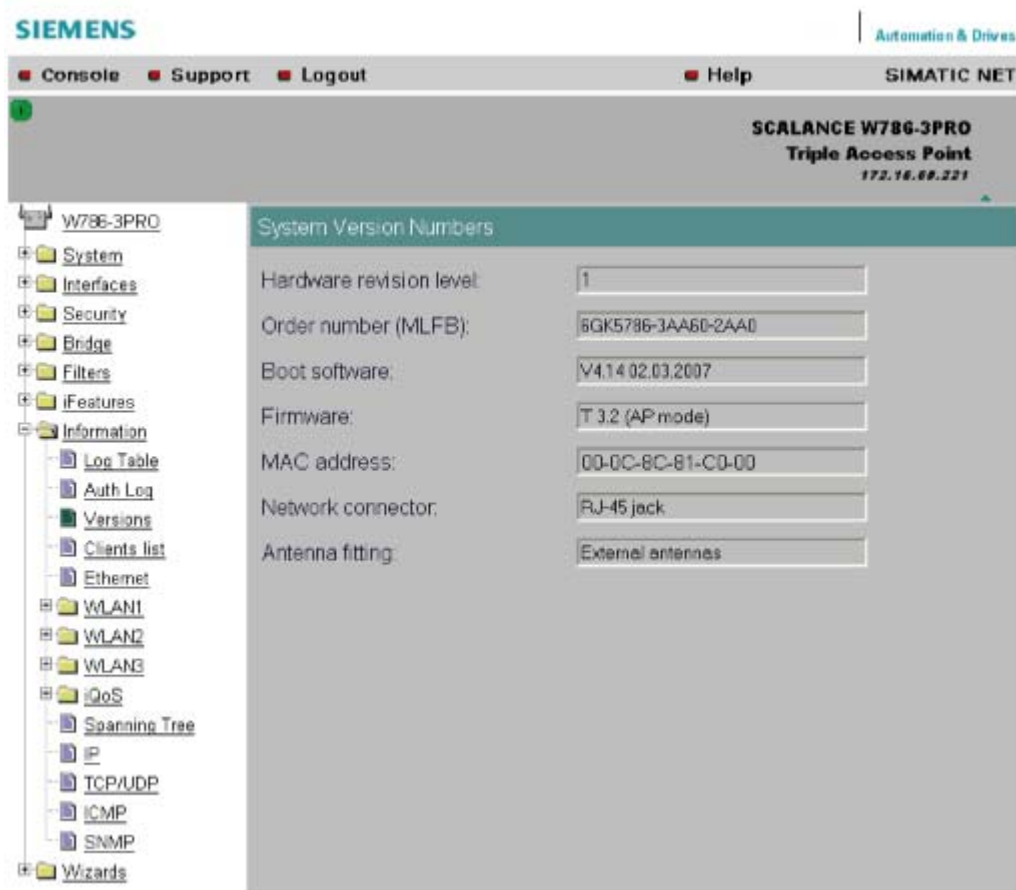
See also

CLIINFORMAUTHLOG menu command (Page 219)

5.6.9.4 Versions menu command

Current versions and order numbers

1. Hardware version
2. Order number (MLFB)
3. Boot software version
4. Firmware version
5. Ethernet MAC address
6. Type of network attachment (RJ-45 electric/ST optical)
7. Antenna mounting (internal/external)



5.6.9.5 Client List menu command

Note

This menu command is available only in access point mode.

Logged-on clients

All the clients logged on at the SCALANCE W78x along with certain additional information (wireless channel, status etc.) are displayed here.

- **MAC Address**
the MAC address of the client.
- **If#**
This specifies the wireless interface over which the client is connected.
- **Signal**
The signal strength of the client. The higher the value, the better the signal. The user can choose between percentage and dBm.
- **Age**
Displays the time that has elapsed since the last client activity was detected.
- **Sec**
This indicates which encryption is active.
- **Channel.**
The current channel over which the client communicates with the SCALANCE W78x.
- **State**
The current state of the clients. Associated means that the client is logged on.

The screenshot displays the Siemens SIMATIC NET web interface for a SCALANCE W788-2RR Dual Access Point. The main content area shows a table of associated stations. The table has columns for Type, MAC address, #, Signal, Age, Sec, Ch, and State. The 'Update' checkbox is checked, and the unit is set to dBm. A 'Refresh' button is located at the bottom of the table.

Type	MAC address	#	Signal	Age	Sec	Ch	State
Sta	08-00-06-94-3E-4E	1	-39 dBm	< 1 s	x	153	Associated
Sta	08-00-06-96-A2-E0	1	-31 dBm	4 s	x	153	Associated
WDS	08-00-06-97-B6-20	2	-30 dBm	< 1 s	x	157	AP is up
WDS	08-00-06-97-B9-58	2	-44 dBm	< 1 s	x	157	AP is up
WDS	08-00-06-97-EE-B0	2	-43 dBm	< 1 s	x	157	AP is up
WDS	08-00-06-97-ED-D8	2	-40 dBm	< 1 s	x	157	AP is up
WDS	08-00-06-9B-81-28	2	-47 dBm	< 1 s	x	157	AP is up
Sta	08-00-06-97-F3-1E	2	-42 dBm	4 s	x	157	Associated
Sta	08-00-06-97-B8-7C	2	-30 dBm	4 s	x	157	Associated
Sta	08-00-06-97-EF-22	2	-30 dBm	4 s	x	157	Associated
L2T	08-00-06-97-ED-42	2	-31 dBm	< 1 s	x	157	Associated
Sta	08-00-06-93-E8-0A	2	-52 dBm	< 1 s	x	157	Associated
Sta	08-00-06-70-18-B6	2	-30 dBm	< 1 s	x	157	Associated
Sta	08-00-06-93-E8-13	2	-38 dBm	< 1 s	x	157	Associated
Sta	08-00-06-97-ED-EA	2	-60 dBm	4 s	x	157	Associated

By selecting the "Update" check box, the list is updated automatically every 3 seconds. If you click on the MAC address of a client, you will receive additional information on this client.

See also

CLI\INFORMWLAN1 (or \WLAN2 or \WLAN3) menu command (Page 219)

5.6.9.6 Ethernet menu command

Information on the Ethernet interfaces

This menu command provides information on the current settings of the Ethernet interface. The current operating data is also displayed here.

5.6.9.7 WLAN menu command

Information on the WLAN interface

This menu command provides information on the current settings of the WLAN interface. The current operating data is also displayed here. There is a separate menu for each wireless interface when the model has more than one wireless interface.

Traffic

Statistics of the data to be transmitted are displayed here.

The screenshot shows the Siemens SIMATIC NET web interface for the SCALANCE W788-1RR Ethernet Client Module. The left navigation pane is expanded to 'WLAN' > 'Traffic'. The main content area displays two tables:

Traffic statistics on Wireless Interface			
Associations:	8	Disassociations:	8
Authentications:	12	Deauthentications:	10

	Receive	Transmit
Signal strength:	-89 dBm (12 %)	N/A
Frame count:	9195	3106
Management frames:	9195	1841
RTS frames:	N/A	70

Data		
Rate:	1.0 Mbits	1.0 Mbits
Data frame count:	0	1265
Data bytes count:	0	19591
Unicast:	0	0
Multicast:	0	0
Broadcast:	0	209

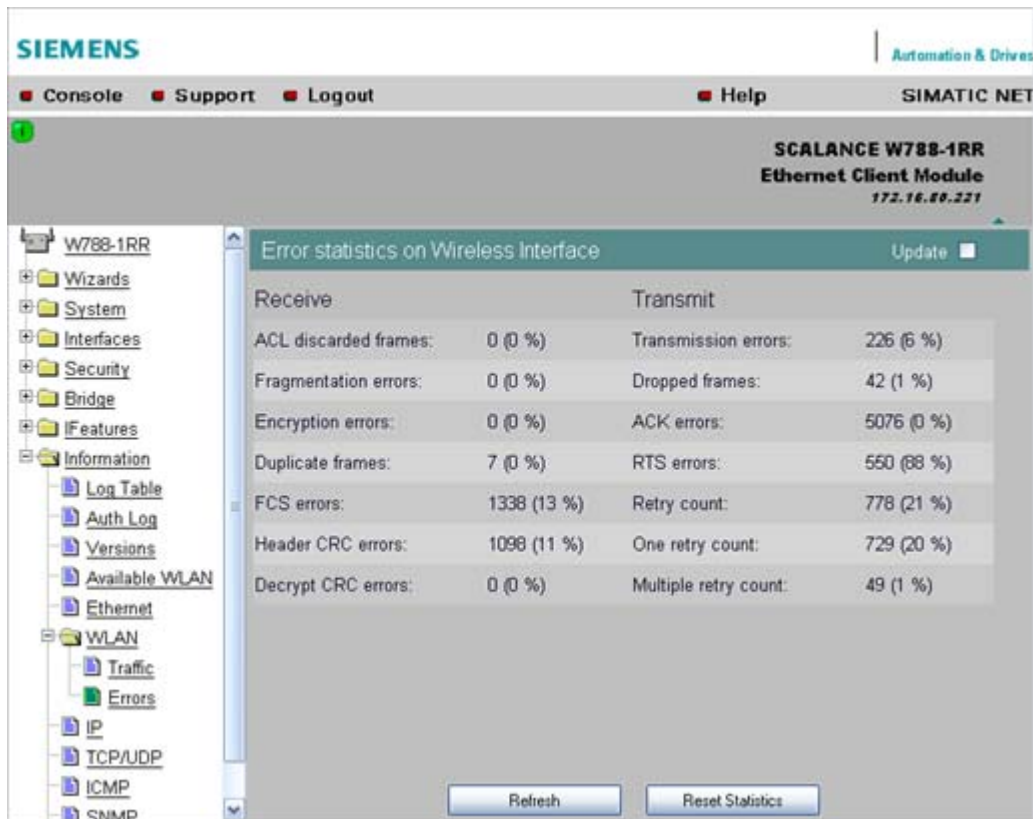
Buttons for 'Refresh' and 'Reset Statistics' are located at the bottom of the main content area.

- Association / Authentication Frames
 The frames relevant for registration are counted. A distinction is made between the registration frames Association and Authentication and the deregistration frames Disassociation and Deauthentication.

- **Signal strength**
The signal strength is displayed as an average of the last received frames or at the sending end of the last received acknowledge frames.
- **Frame count**
Counter for all successfully received or sent frames.
- **Management frames**
Counts all received or sent management frames.
- **RTS frames**
Is incremented when a CTS frame is received in response to an RTS frame.
- **Rate**
Displays an average data rate of the most recently received or sent data frames.
- **Data frame count**
Counts all received or sent data packets.
- **Data bytes count**
Displays the sum of all received or sent bytes in a data frame.
- **Unicast**
Sum of all received or sent data unicasts.
- **Multicast**
Sum of all received or sent data multicasts.
- **Broadcast**
Sum of all received or sent data broadcasts.

Errors

This page displays statistics of the transmission errors that have occurred. A high error rate indicates a bad connection.



Receive Errors

- **ACL discarded frames**
Displays all client registration attempts that were blocked by the Access Control List.
- **Fragmentation errors**
Sum of all failed fragmentations. One of the fragments was not received or received too late.
- **Encryption errors**
Is incremented if a frame is received in which the WEP bit is set and the device operates without encryption, or the reverse situation when a packet is received without a WEP bit and encryption is enabled.
- **Duplicate frames**
Sum of all frames received twice.
- **FCS errors**
Sum of all packets received in which the checksum was incorrect.
- **Header CRC error**
Sum of all packets received in which the header checksum was incorrect.
- **Decrypt CRC error**
Sum of all packets received in which the checksum of the encrypted data buffer was incorrect.

Transmit Errors

- **Transmission errors**
Is incremented when a frame cannot be sent successfully despite hardware retries.
- **Dropped frames**
Number of packages that were dropped either when the packet was not sent despite all retries or packets that had not been sent when a node deregistered.
- **Acknowledged errors**
Sum of all packets sent that were not confirmed by an acknowledge.
- **RTS errors**
Sum of all sent RTS frames that were not acknowledged by a CTS.
- **Retry count**
Sum of all frames sent successfully that required one or more retries.
- **One retry count**
Sum of all frames sent successfully that required exactly one retry.
- **Multiple retry count**
Sum of all frames sent successfully that required more than one retry.

Note

The percentages shown following the errors relate to the total number of received / sent frames.

Overlap AP

Note

This menu command is available only in access point mode.

For optimum data throughput, it is important that the set wireless channel is not used by other access points. In the 2.4 GHz band (802.11b or 802.11g), there is overlapping of the wireless channels so that an access point occupies not only the set channel but also the two or three adjacent channels. You should therefore make sure that there is adequate channel spacing to neighboring access points.

The "Overlap AP" page shows all access points that are visible on the set or adjacent channels (at 2.4 GHz). If entries exist here, the maximum data throughput of the access point will be restricted.

- **Type**
Shows the type of connection. The types AP (infrastructure mode) and AdHoc exist.
- **MAC address**
The MAC address of the wireless devices.
- **Channel**
The channel on which the found wireless device transmits.
- **Signal**
Shows the signal strength with which the other wireless devices are received at the AP. The stronger the signal, the greater the probability that they interfere with each other.

There is also the possibility that they interfere with each other even at low signal strengths.

- Age
Shows when the last activity was detected by the wireless device.
- SSID
Shows the SSID of the other wireless device.

5.6.9.8 iQoS menu command

Information on bandwidth reservation

The pages of this menu provide information on iQoS. The clients are grouped as follows:

- Critical Compliant (CC)
This involves clients that were defined as critical and that are currently meeting the requirements you set for the bandwidth and response time.
- Critical Non-Compliant (CNC)
The CNC clients are also clients with strict requirements regarding the response time and bandwidth. In contrast to the CC clients, however, these clients are not currently meeting these requirements.
- Non-Critical Satisfied (NCS)
These clients do not have fixed requirements regarding the response time and minimum bandwidth. Their communication is not currently restricted by iQoS.
- Non-Critical Regulated (NCR)
These clients are also non-critical clients whose communication is, however, currently being restricted by iQoS in favor of critical clients.
- Non-Critical Non-Responsive (NCNR)
Some clients that require no acknowledgment whatsoever for their communication (for example UDP traffic) cannot be regulated by iQoS. These are classified as NCNR.

See also

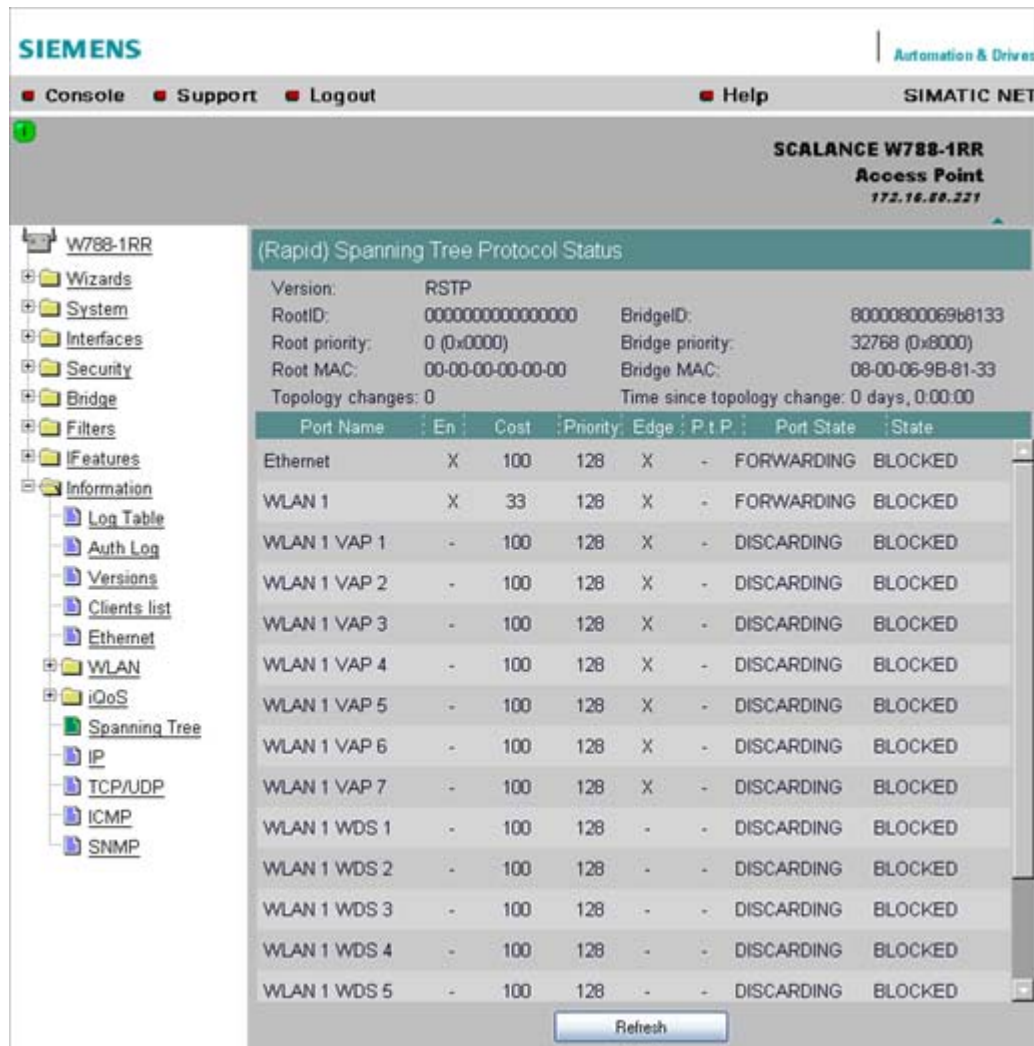
CLN\FEATURES\IQOS\WLAN1 (or \WLAN2 or \WLAN3) menu command (Page 212)

5.6.9.9 Spanning Tree menu command

Status of the Spanning Tree protocol

The upper part of the page shows the "RootID" and the "BridgeID". Both IDs are made up of their priority and their MAC address. Together, this results in the 16 character long ID. The RootID is the ID of the bridge that is currently the root bridge. The BridgeID shows the ID of the local device.

Below this, you can see values for the Topology Change event. The first value is a counter indicating how often the tree structure has changed since restarting. The value beside this, shows the time since the last switchover event.



Below this, you will see the following port-related information:

- **Port Name**
Plain language name of the port, for example Ethernet or WLAN1 WDS1.
- **Enabled**
Indicates whether the (R)STP is enabled for this port. If the port is not enabled, no further frames are forwarded over this port.
- **Cost**
Indicates the path costs for the port.
- **Priority**
Indicates the current priority of the port.
- **Edge**
Shows whether or not the port is an edge port.
- **P.t.P.**
Shows whether or not the AP is connected directly to another (R)STP device

- Port State
With STP, a port can adopt three states:
 - Discarding
No frames are forwarded from or to this port. The port has been disabled by the user or the protocol (for example, when a redundant path has been detected).
 - Learning
The port receives packets in the same way as in listening mode, but does not forward them. The MAC addresses are also entered in the "Learning Bridge".
 - Forwarding
The port is fully enabled. Frames can be received and sent.
 - Disabled
The port is not currently in use.
- State
Here, the state of the port in relation to the root bridge is displayed. The "ROOT" state means that the port is connected directly with the root bridge. "DESIGNATED" identifies all ports that are not directly at the root but that are enabled. Ports that are blocked are in the "BLOCKED" state.

5.6.9.10 IP, TCP/IP, ICMP, SNMP menu command

Information on protocols

The pages of this menu show information on the IP, TCP, UDP, ICMP, and SNMP protocols in the form of tables.

Note

There are no CLI commands for this menu command.

5.6.9.11 Signal Recorder menu command

Note

The signal recorder is available only for clients and access points in client mode and the IWLAN/PB-Link PN IO.

Signal strength indicators

The Signal Recorder can record or display the signal strength of the connected access point. Using this data, you can locate areas with an inadequate signal strength. The Signal Recorder can be particularly advantageous when the client moves along a fixed path (for example suspension track).

- Procedure for SCALANCE W-700 clients:
Using the URL
`http://<IP address>/Signal.txt`
or the URL
`http://<IP address>/Signal.log`
you can download the generated signal file. If you are not yet logged in, this opens the login window in which you must log in.
- Procedure for IWLAN/PB LINK PNIO:
 1. Enable the FTP server
 2. Enter `ftp <ip address>` in a DOS box.
 3. Log in as admin (default password admin)
 4. Enter the command `get signal.txt`.The `signal.txt` file is then stored in the directory from which the `ftp` command (point 2) originated.

Displaying the instantaneous value

The upper half of the window contains an instrument for displaying the graphic representation of the currently calculated dBm value in real time. Depending on your browser and the network load, the display is updated approximately every 500 ms. Apart from the graphic display, the current dBm value is also displayed in plain language. The MAC address of the AP with which the ECM is currently connected along with the frequency, channel and transmission rate are also displayed and updated. You can start or stop the graphic display with the "Start display" and "Stop display" buttons.

Note

Working with the graphic display can cause a not insignificant network load that can disturb time- and throughput-critical processes (PNIO).

Recording a series of measurements

The lower half of the window includes not only the operator controls for graphic display of the instantaneous value but also the controls for the actual signal recorder. You can set the interval between the acquisition of two measuring points as well as the total number of measuring points. The recorder is controlled by the "Start recording" and "Stop recording" buttons.

As soon as measuring points have been recorded successfully and the recorder has been stopped, the "Save recorder file" and "Display recorder file" buttons are enabled. With the "Save" button, the measured values can be loaded directly from the ECM as a file in CSV format and imported into a suitable evaluation program.

The CSV file contains the MAC address of the AP for every measuring point, the current number of the measurement, the raw value of the RSSI, the dBm value and its corresponding percentage value, a roaming indicator, the channel and the transmission rate.

The "Display record file" button opens a pop-up window in which the measured values over time is already available in graphic form. The dBm values are shown over time. If the ECM roams during the measurement, blue bars indicate the event. If you move the mouse pointer over such a bar or over the flag at the top of the bar, a tooltip with the MAC addresses of the two access points appears.

With the "Print graph" button, it is easy to print the table. You will, however, need to make certain settings in the browser.

- Mozilla Firefox 1.5:
In the "File" => "Page setup..." dialog, make sure that the "Print Background (colors & images) check box is enabled in the "Options" group box.
- Microsoft Internet Explorer 6.0:
In "Tools" => "Internet Options" => "Advanced", the "Print background colors and images" check box must be enabled under "Printing".

The signal recorder itself does not cause any significant load in the network that could affect other processes.

Both parts of the signal recorder can be operated independently.

Below, you will find a few tips that will help you to obtain useful measurements with the signal recorder:

- Use a fixed data rate in the configuration.
- Where possible, the ipcf mode with as low an update time as possible should be set for the measurements.
- Make sure that there is enough data communication during the measurement because the statistics functions evaluate incoming frames.
- The measurement setup should be run through 2-3 times with the same parameters to find out whether losses of signal strength always occur at the same position.
- Selective measurements at a fixed position should be made over a certain time.

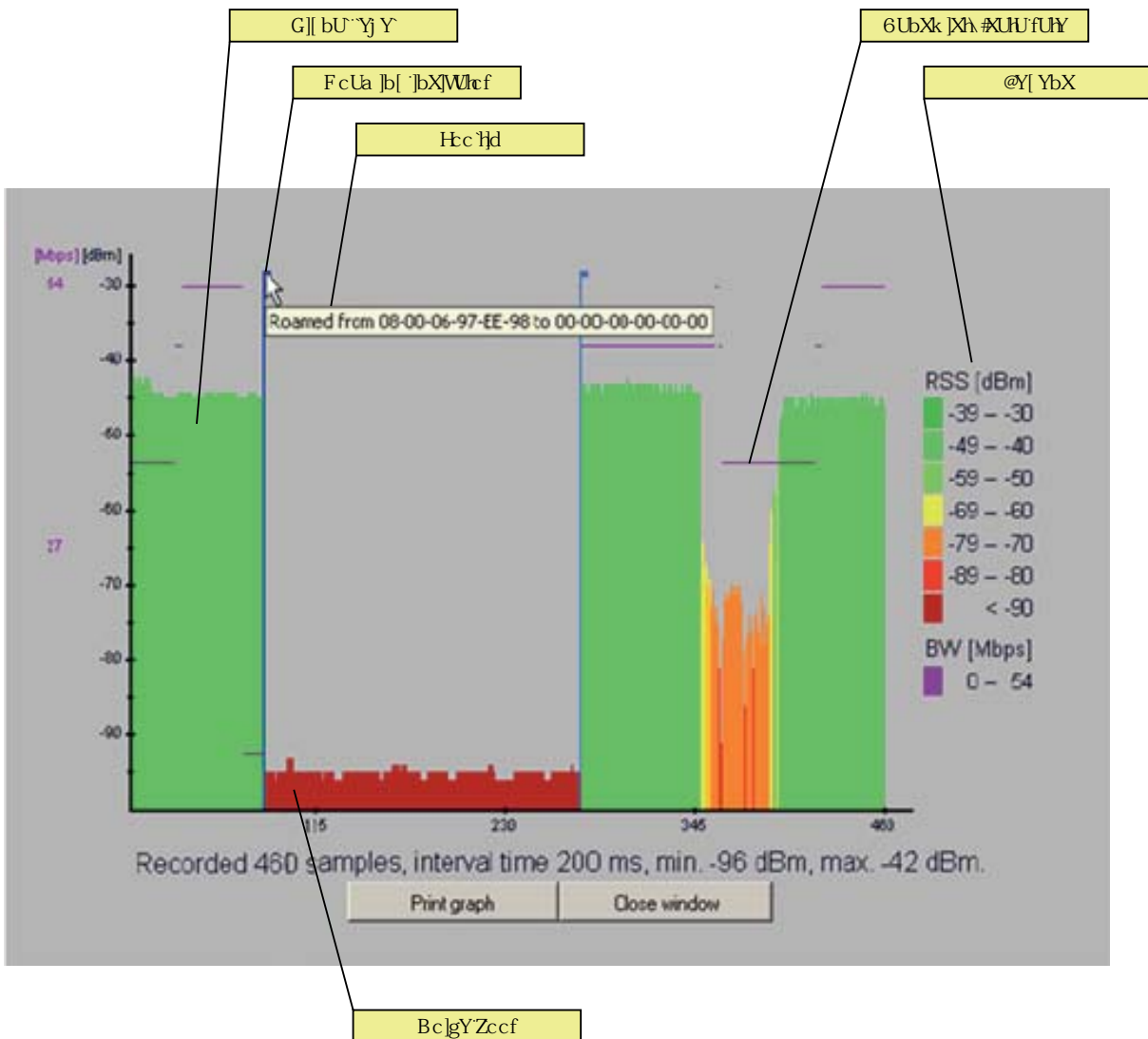


Figure 5-2 Screen display of the measured values

Roaming indicator

This value appears when the client connects to another or to no AP and the MAC address of the AP changes as a result.

Bandwidth/data rate

The bandwidth/data rate is not displayed over the entire screen since it could overlap the signal level.

Noise floor

The noise floor represents the lower end of the technically possible transmission of the device. This means that when the noise floor is exceeded (the useful signal is louder than the noise floor), this is where the system dynamics begins. For this reason, this level is visible only when the client has no connection to an AP (indicated in the figure above by the MAC address 00-00-00-00-00-00).

Legend

BW bandwidth in Mbps
 RSS received signal strength in dBm

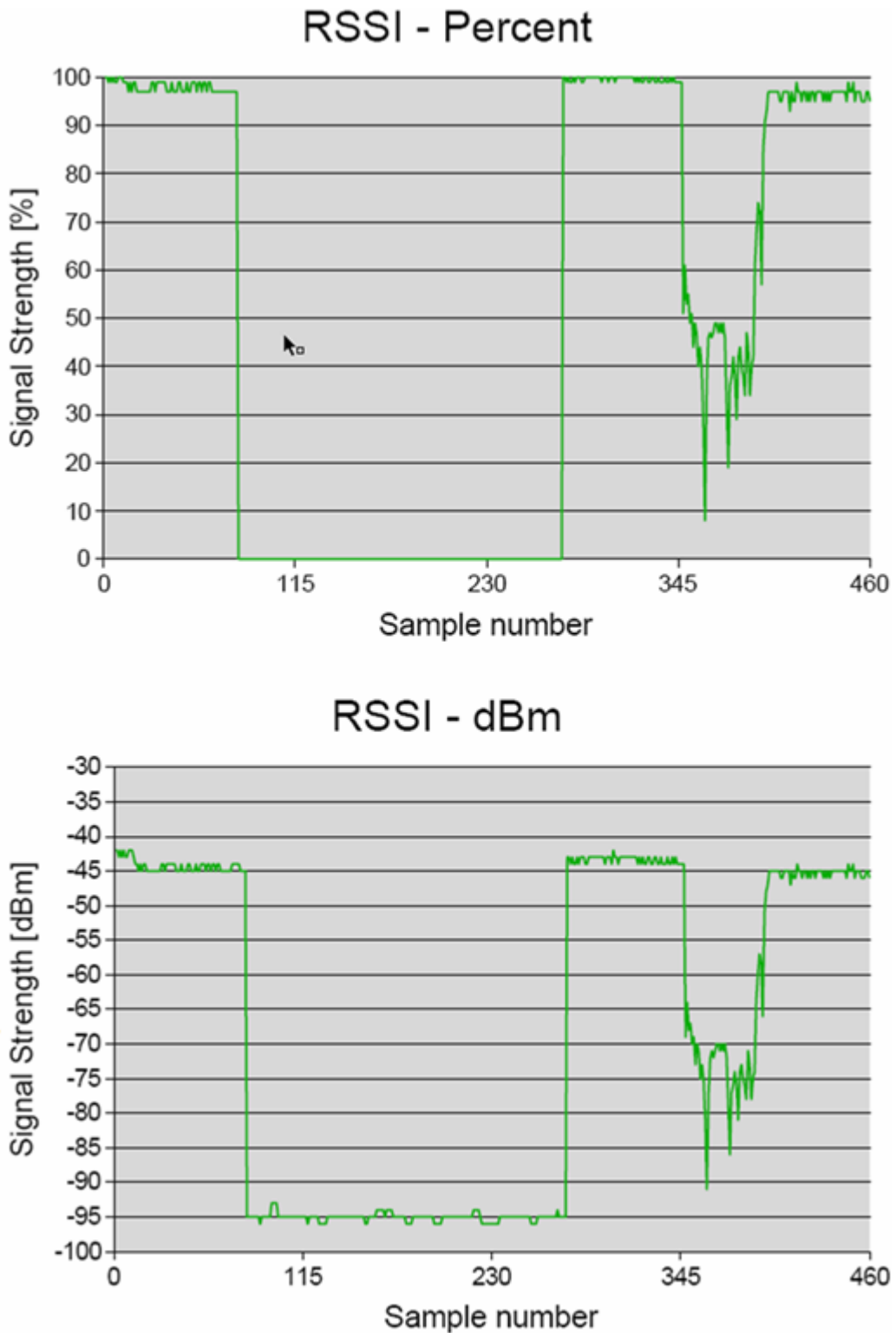


Figure 5-3 Comparison of the measured value display as a percentage and in dBm

See also

CL\INFORM\SIGNAL menu command (Page 220)

5.7 Configuration with the Command Line Interface

5.7.1 General information on the Command Line Interface

Introduction

With the Command Line Interface (CLI), you can configure all the settings of a SCALANCE W-700 and an IWLAN/PB Link. The CLI therefore provides the same options as Web Based Management. You should read the detailed explanations of the parameters in the section "Configuration with Web Based Management".

The CLI also allows remote configuration over Telnet.

Note

You should only use the command line interface if you are an experienced user. Even commands that bring about fundamental changes to the configuration are normally executed without a prompt for confirmation.

Configuring an IWLAN/PB Link with the CLI

The IWLAN/PB LINK only uses configuration over CLI. The "Comment" column in the following table shows which command is available for which device.

Starting the CLI in a Windows console

Follow the steps outlined below to start the Command Line Interface in a Windows console:

1. Open a Windows console and type in the command "telnet" followed by the IP address of the SCALANCE W7xx:

```
C:\>telnet <IP address>
```

2. Enter your login and password.

As an alternative, you can also enter the command "telnet" followed by the IP address of the SCALANCE W-700 in the **Start > Run** menu.

Starting the CLI in Web Based Management

You can also call the CLI from Web Based Management. Click on the Console entry in the upper menu bar of Web Based Management. A console opens in which you can log on with your login and password. The IP address is adopted by Web Based Management.

Note

This function is not available in the Internet Explorer as of version 7.

Shortcuts for commands

As an alternative, instead of entering full CLI commands, you can simply enter the first letter or the first few letters of the command and then press the Tab key. The Command Line Interface then displays a command starting with the letter or letters you typed in. If the command displayed is not the command you require, press the Tab key again to display the next command.

Directory structure

Before you can enter a command in the Command Line Interface, you must first open the required menu or submenu. The following tables contain the commands of a menu and a description of them. The menu containing the commands is shown before the table. The table lists only the commands themselves.

Symbols for representing CLI commands

CLI commands generally have one or more parameters that are represented in the syntax description as follows:

- Mandatory parameters are shown in pointed brackets.
Example: <IP address>
- Optional parameters are shown in square brackets.
Example: [E|D]
If you omit an optional parameter, the commands output the currently set value.
- Alternative input values are separated by the pipe character. In this case, you specify **one** of the listed values as the parameter.
Example: [E|D]
you enter either "E" or "D".
- If a numeric value is required as a mandatory parameter, you can also specify a range of values:
Example: <0 . . . 255>
You enter a value between 0 and 255.

Cross-menu commands

You can use the commands in the following table in any menu.

CLI \ ... >

Command	Description	Comment					
		IWLAN/ PB LINK	W744	W746	W747	W78x	W78x RR
/	Moves you one menu level higher.	✓	✓	✓	✓	✓	✓
?	Displays the commands and submenus available in the menu.	✓	✓	✓	✓	✓	✓
exit	Closes the CLI/Telnet session.	Cannot be called using the command shortcuts.					
		✓	✓	✓	✓	✓	✓
restart	Restarts the SCALANCE W7xx	Cannot be called using the command shortcuts.					

5.7 Configuration with the Command Line Interface

		Comment					
		✓	✓	✓	✓	✓	✓
info	Displays information on the current menu item.	✓	✓	✓	✓	✓	✓

5.7.2 The CLISYSTEM menu

5.7.2.1 CLISYSTEM menu command

Mode and locale setting

With the commands in this menu, you set the locale and mode (access point or client).

CLISYSTEM>

Command	Description		Comment					
			IWLAN/ PB LINK	W744	W746	W747	W78x	W78x RR
apmode [E D H]	E	Access Point	—	—	—	—	✓	✓
	D	Client						
	H	HiPath Access Point (only available for SCALANCE W788-2RR)						
country [xx ?]	Specifies properties for specific countries. The country codes ("xx") correspond to ISO 3166. You can see which countries you can set after entering the "country ?" command. A list of countries appears with the corresponding 2-digit code.		This command is not available in the version for USA.					
			✓	✓	✓	✓	✓	✓
name [system name]	Assigns a value to the <i>sysName</i> MIB variable.		Maximum of 255 characters. If you want to use the name in WDS or redundancy, the maximum length is 32 characters.					
			✓	✓	✓	✓	✓	✓
location [location]	Assigns a value to the <i>sysLocation</i> MIB variable.		Maximum of 255 characters.					
			✓	✓	✓	✓	✓	✓
contact [name]	Assigns a value to the <i>sysContact</i> MIB variable.		Maximum of 255 characters.					
			✓	✓	✓	✓	✓	✓
ping [-c n -s]	For connection test to partner.		Telnet only					

<IP Name>	-c (counter) for the number n of ICMPs -s stops the connection test for all devices	Comment					
		✓	✓	✓	✓	✓	✓
password [admin user] [password]	Specifies a password for access to the device.	Maximum of 31 characters.					
		✓	✓	✓	✓	✓	✓

5.7.2.2 CLISYSTEMIP menu command

IP address assignment

With the commands in this menu, you specify how the device obtains its IP address.

CLISYSTEMIP>

Command	Description	Comment					
		IWLAN/ PB LINK	W744	W746	W747	W78x	W78x RR
dhcp [E D]	Enable / disable DHCP server.	—	✓	✓	✓	✓	✓
dhcptype [M N C]	Specifies how a device will be identified:	—	✓	✓	✓	✓	✓
	M MAC address						
	N Device name						
	C Client ID						
clientid	Specifies a client-ID for the device.	—	✓	✓	✓	✓	✓
ip [IP address]	Specifies the IP address for the SCALANCE W7xx.	When you enter a valid IP address, enabled DHCP is automatically disabled.					
		—	✓	✓	✓	✓	✓
subnet [subnet mask]	Specifies the subnet mask.	—	✓	✓	✓	✓	✓
gateway [IP address]	Specifies the IP address of the router.	—	✓	✓	✓	✓	✓
ttl [TTL value]	Sets the TTL (Time To Live) parameter.	Default value: 64					
		—	✓	✓	✓	✓	✓

See also

IP Settings menu command (Page 100)

5.7.2.3 CLI\SYSTEM\SERVICES menu command

Configuration options

With the commands in this menu, you select the services (SNMP, Web Based Management etc.) with which access to the device will be possible.

CLI\SYSTEM\SERVICES>

Command	Description	Comment					
		I/WLAN/ PB LINK	W744	W746	W747	W78x	W78x RR
telnet [E D]	Enable / disable configuration of the device over Telnet.	Only WEB and SNMP					
		✓	✓	✓	✓	✓	✓
ttimeout [E D]	Enables / disables the time restriction for a Telnet session.	✓	✓	✓	✓	✓	✓
ttimeout [time in s]	Specifies the time after which a Telnet session is closed if there is no further input.	✓	✓	✓	✓	✓	✓
ssh [E D]	Enables / disables configuration of the device over secure Telnet.	✓	✓	✓	✓	✓	✓
snmp [E D]	Enable / disable SNMP.	—	✓	✓	✓	✓	✓
mail [E D]	Enable / disable E-mail.	—	✓	✓	✓	✓	✓
web [E D]	Enable / disable configuration of the device over Web Based Management.	—	✓	✓	✓	✓	✓
httpsonly [E D]	Enable / disable access for configuring only over HTTPS.	—	✓	✓	✓	✓	✓
ping [E D]	Enable / disable response of the device to Ping.	✓	✓	✓	✓	✓	✓
psu [E D]	Enable / disable access to the device with the Primary Setup Tool. If this access option is deactivated, configuration data can only be read with the Primary Setup Tool.	—	✓	✓	✓	✓	✓
ftpserv [E D]	Enable / disable the FTP server on the device. Required for downloading the Signal.TXT file generated by the Signal Recorder.	✓	—	—	—	—	—

See also

Services menu command (Page 100)

5.7.2.4 CLI\SYSTEM\RESTARTS menu command

Default settings and restart

With the commands in this menu, you can restore the factory settings of the device and restart the device.

CLI\SYSTEM\RESTARTS>

Command	Description	Comment					
		IWLAN/ PB LINK	W744	W746	W747	W78x	W78x RR
restart	Restart the device.	This command can be called from all menus, however not using the shortcut commands.					
		✓	✓	✓	✓	✓	✓
memreset	Resets the factory settings and triggers a restart (the protected settings are not deleted).	After restoring the factory settings, restart manually.					
		✓	✓	✓	✓	✓	✓
defaults	Resets to the factory settings (the protected settings are also deleted).	✓	✓	✓	✓	✓	✓

See also

Restart menu command (Page 101)

5.7.2.5 CLI\SYSTEM\EVENT menu command

Syntax of the Command Line Interface

For each of the four possible reactions E-mail, trap, log and fault, either "E" (Enabled = setting is enabled) or "D" (Disabled = setting is disabled) must be entered as the parameter. If, for example, an E-mail is sent when the device restarts (first parameter "CW") and an entry is made in the log table but neither a trap nor an error is generated, the following command must be entered:

```
setec CW E D E D (for SCALANCE W-700)
```

```
setec CW D E D (for IWLAN/PB LINK)
```

Note

The IWLAN/PB LINK does not support E-mail. As a result, the second parameter for enabling/disabling the E-mail option is omitted.

CLI\SYSTEM\EVENT>

Commands available only for access points and client modules (not for IWLAN/PB LINK):

Command	Description	Comment					
		IWLAN/ PB LINK	W744	W746	W747	W78x	W78x RR
setec CW <E D> <E D> <E D> <E D>	Reactions when the SCALANCE W-700 restarts.	—	✓	✓	✓	✓	✓
setec LU <E D> <E D> <E D>	Reaction to the "Link Up" event on the Ethernet interface.	If the error status was triggered only due to a link down event, the error states is cleared and the error LED goes off.					
		—	✓	✓	✓	✓	✓
setec LD <E D> <E D> <E D>	Reaction to the "Link Down" event on the Ethernet interface.	—	✓	✓	✓	✓	✓
setec AF <E D> <E D> <E D>	Reaction to a bad authentication over Web Based Management, CLI, or SNMP.	The SNMP trap "AuthFault" is sent only if there is a bad SNMP authentication.					
		—	✓	✓	✓	✓	✓
setec PM <E D> <E D> <E D> <E D>	Reaction to a change of power supply over the M12 power connection.	—	✓	✓	✓	✓	✓
setec PE <E D> <E D> <E D> <E D>	Reaction to a change of power supply over Ethernet.	—	✓	✓	✓	✓	✓
setec FC <E D> <E D> <E D>	Reaction to a change in the error status.	—	✓	✓	✓	✓	✓

Commands available only for access points (not for access points in client mode, clients, IWLAN/PB LINK):

Command	Description	Comment					
		IWLAN/ PB LINK	W744	W746	W747	W78x	W78x RR
setec AP <E D> <E D> <E D> <E D>	Reaction to detection of an access point on own or an overlapping wireless channel.	—	—	—	—	✓	✓
setec MS <E D> <E D> <E D> <E D>	Reaction when the update time in iPCF mode with PNIO support cannot be kept to due to an additional client.	This command is available only with the following models:					
		<ul style="list-style-type: none"> • SCALANCE W788-1RR • SCALANCE W788-2RR • SCALANCE W784-1RR 					
		—	—	—	—	—	✓

		Comment
setec CT <E D> <E D> <E D> <E D>	Reaction when the specified update time in iPCF mode with PNIO support cannot be kept to.	This command is available only with the following models: <ul style="list-style-type: none"> • SCALANCE W788-1RR • SCALANCE W788-2RR • SCALANCE W784-1RR
		— — — — — ✓
setec IS <E D> <E D> <E D> <E D>	Reaction to a change in the connection status on a client for which the IP-alive monitoring is activated.	If the connection status changes, an event is triggered. If the connection no longer exists, the error state is triggered and the error LED is lit.
		— — — — ✓ ✓
setec LI <E D> <E D> <E D> <E D>	Reaction when establishing a connection monitored with the <i>Link Check</i> function.	— — — — ✓ ✓
setec IQ <E D> <E D> <E D> <E D>	Reaction to a change in the iQoS status.	— — — — ✓ ✓
setec RD <E D> <E D> <E D> <E D>	Reaction to a change in the redundancy event status.	— — — — ✓ ✓
setec CA <E D> <E D> <E D>	Reaction when a client logs on.	— — — — ✓ ✓
setec CD <E D> <E D> <E D>	Reaction when a client logs off.	— — — — ✓ ✓
setec FR <E D> <E D> <E D>	Reaction to the forced roaming on IP down function.	— — — — ✓ ✓
setec ST <E D> <E D> <E D>	Reaction to a topology change by (rapid) spanning tree.	— — — — ✓ ✓
setec WD <E D> <E D> <E D>	Reaction to the connection status of WDS.	— — — — ✓ ✓
setec CP <E D> <E D> <E D>	Reaction when the cycle time in iPCF mode with PNIO support could not be kept to.	— — — — ✓ ✓

Commands available only for the IWLAN/PB LINK (not for access points and clients):

Command	Description	Comment					
		IWLAN/ PB LINK	W744	W746	W747	W78x	W78x RR
setec CW <E D> <E D> <E D>	Reactions to a IWLAN/PB LINK restart	✓	—	—	—	—	—
setec P1 <E D> <E D> <E D>	Reaction to a change of power supply over power connection 1.	✓	—	—	—	—	—
setec P2 <E D> <E D> <E D>	Reaction to a change of power supply over power connection 2.	✓	—	—	—	—	—
setec FC <E D> <E D> <E D>	Reaction to a change in the error status.	✓	—	—	—	—	—

5.7.2.6 CLI\SYSTEM\EMAIL menu command

Sender and recipient of an E-mail

With the commands in this menu, you specify that the device sends an E-mail when certain events occur. You can also set a sender address.

CLI\SYSTEM\EMAIL

Command	Description	Comment					
		IWLAN/ PB LINK	W744	W746	W747	W78x	W78x RR
mail [E D]	Enable / disable the E-mail service.	—	✓	✓	✓	✓	✓
email [E-mail address]	Specifies the address(es) to which the SCALANCE W-700 sends E-mails.	Several E-mail addresses can be entered separated by semicolons.					
		—	✓	✓	✓	✓	✓
smtp <IP address> [:port number]	Specifies the IP address and the port number of the SMTP server.	—	✓	✓	✓	✓	✓
from [text for sender field]	Specifies the sender of E-mails from SCALANCE W-700.	—	✓	✓	✓	✓	✓

See also

E-mail Config menu command (Page 103)

5.7.2.7 CLI\SYSTEM\SNMP menu command

Enabling SNMP

With the commands in this menu, you configure general SNMP parameters (enabling SNMP, traps and community strings)

CLI\SYSTEM\SNMP>

Command	Description	Comment					
		IWLAN/ PB LINK	W744	W746	W747	W78x	W78x RR
snmp [E D]	Enables / disables SNMP.	Enables / disables SNMPv1, v2c, v3 and traps.					
		—	✓	✓	✓	✓	✓
snmpv1 [E D]	Enables / disables SNMPv1/v2c.	Enables / disables SNMPv1, v2c and traps.					
		—	✓	✓	✓	✓	✓

		Comment
snmpv3 [E D]	Enables / disables SNMPv3.	The special features of SNMPv3 undertake effect after you disable SNMPv1. Enabling SNMPv3 does not automatically disable SNMPv1.
		— ✓ ✓ ✓ ✓ ✓
snmpro [E D]	Enables / disables SNMPv1/v2c read only.	— ✓ ✓ ✓ ✓ ✓
getcomm [read community string]	Specifies the read community string, maximum length 63 characters	The default is "public".
		— ✓ ✓ ✓ ✓ ✓
setcomm [write community string]	Specifies the write community string, maximum length 63 characters.	The default is "private".
		— ✓ ✓ ✓ ✓ ✓
trapcomm [trap community string]	Specifies the trap community string, maximum length 63 characters.	The default is "public".
		— ✓ ✓ ✓ — —
traps [E D]	Enables / disables SNMPv1 traps	Traps are then enabled, if SNMP v1, v2c is also enabled.
		— ✓ ✓ ✓ ✓ ✓

See also

SNMP Config menu command (Page 103)

5.7.2.8 CLI\SYSTEM\SNMP\GROUP menu command

Managing SNMP groups

With the commands in this menu, you manage SNMP groups (creating, deleting etc.).

CLI\SYSTEM\SNMP\GROUP>

Command	Description	Comment						
		IWLAN/ PB LINK	W744	W746	W747	W78x	W78x RR	
add <Name> [NOAUTH AUTH PRIV] [R W]	Adds an SNMPv3 group with the following security settings	Write access without read access is not possible.						
	NOAUTH	No authentication, no encryption	—	✓	✓	✓	✓	✓
	AUTH	Authentication with MD5 or SHA algorithm, no encryption						
	PRIV	Authentication with MD5 or SHA algorithm and encryption with the DES3 algorithm						

5.7 Configuration with the Command Line Interface

		Comment						
	Write and read access can also be set for the group:							
	R	Read access						
	W	Write access						
<pre>edit <Index> [NOAUTH AUTH PRIV] [RE RD WE WD]</pre>	Changes the security level of the group and sets the access rights. You can display the index of the group with the "info" command.	You cannot edit the authentication and encryption settings unless the group is empty. Preventing read access also prevents write access. Permitting write access also permits read access.						
	RE	Enables read access	—	✓	✓	✓	✓	✓
	RD	Disables read access						
	WE	Enables write access						
	WD	Disables write access						
delete <Index>	Deletes the SNMPv3 group from the group list at the index position.	Is only possible to delete a group if it is empty.						
		—	✓	✓	✓	✓	✓	
clearall	Clears all SNMP groups that are empty.	—	✓	✓	✓	✓	✓	

See also

SNMP Config menu command (Page 103)

5.7.2.9 CLI\SYSTEM\SNMP\USER menu command

Managing SNMP users

With the commands in this menu, you manage SNMP users (creating, deleting etc.).

CLI\SYSTEM\SNMP\USER>

Command	Description	Comment					
		IWLAN/ PB LINK	W744	W746	W747	W78x	W78x RR
<pre>add <user name> <group name> [NONE MD5 SHA] [authentication pw] [encryption pw]</pre>	Assigns an SNMPv3 user to a group. If authentication is necessary for the group, the algorithm must be specified as a parameter (MD5 or SHA). If encryption is necessary for the group, the encryption password must be specified as a parameter.	The authentication password and the encryption password can be a maximum of 63 characters long.					
		—	✓	✓	✓	✓	✓

		Comment					
edit <index> <group name> [NONE MD5 SHA] [authentication pw] [encryption pw]	Changes the group assignment, the authentication algorithm, and the encryption password of the SNMPv3 user.	—	✓	✓	✓	✓	✓
delete <Index>	Deletes an SNMPv3 user from the list at the point identified by the index.	—	✓	✓	✓	✓	✓
clearall	Deletes all SNMPv3 users.	—	✓	✓	✓	✓	✓

See also

SNMP Config menu command (Page 103)

5.7.2.10 CLISYSTEM\SNMP\TRAP menu command

Enabling SNMP traps, specifying trap recipients

With the commands of this menu, you configure SNMP traps.

CLISYSTEM\SNMP\TRAP>

Command	Description	Comment					
		IWLAN/ PB LINK	W744	W746	W747	W78x	W78x RR
traps [E D]	Enables / disables SNMP traps.	Traps are then enabled, if SNMP v1, v2c is also enabled.					
		✓	✓	✓	✓	✓	✓
settrap <entry> <IP address> <E D>	Specifies the IP address of the trap recipient "entry" ("entry" between 1 and 10) and enables / disables the sending of traps to this recipient.	✓	✓	✓	✓	✓	✓
clearall	Deletes all entries from the trap configuration table.	✓	✓	✓	✓	—	—

See also

SNMP Config menu command (Page 103)

5.7.2.11 CLISYSTEM\SYSLOG menu command

Time-of-day synchronization in the network

With the commands in this menu, you specify the SYSLOG server and the log entries.

CLI\SYSTEM\SYSLOG>

Command	Description	Comment					
		IWLAN/ PB LINK	W744	W746	W747	W78x	W78x RR
info	Shows the current Syslog configuration.	✓	✓	✓	✓	✓	✓
server [IP address]	Specifies the IP address of the Syslog server.	Can only be changed with Admin rights.					
		✓	✓	✓	✓	✓	✓
logs [D E]	Specifies whether the log entries are also sent to the Syslog server.	Can only be changed with Admin rights.					
		✓	✓	✓	✓	✓	✓
auths [D E]	Specifies whether the authentication log entries are also sent to the Syslog server.	Can only be changed with Admin rights.					
		✓	✓	✓	✓	✓	✓

See also

SSyslog menu command (Page 104)

5.7.2.12 CLI\SYSTEM\SNTP menu command

Time-of-day synchronization in the network

With the commands in this menu, you specify the SNTP server and the time zone.

CLI\SYSTEM\SNTP>

Command	Description	Comment					
		IWLAN/ PB LINK	W744	W746	W747	W78x	W78x RR
server [IP address]	Specifies the IP address of the SNTP server.	—	✓	✓	✓	✓	✓
tzzone [hours]	Specifies the deviation of the time zone of the SCALANCE W-700 according to UTC (Universal Time Conversion) in hours.	—	✓	✓	✓	✓	✓

See also

SNTP Config menu command (Page 106)

5.7.2.13 CLI\SYSTEM\FAULT menu command

Information on errors/faults

With the command in this menu, you display information on errors/faults that have occurred.

CLI\SYSTEM\FAULT>

Command	Description	Comment					
		IWLAN/ PB LINK	W744	W746	W747	W78x	W78x RR
fault [OFF]	Display the fault status and cause of the fault. The "OFF" parameter resets the fault LED and the fault status. Ideally, however, the cause of the problem should be eliminated.	You can reset the LED and the fault status with the command: "fault OFF". Ideally, however, the cause of the problem should be eliminated.					
		✓	✓	✓	✓	✓	✓
ipacknow [Index All]	Displays or acknowledges (clears) the IP Alive messages requiring acknowledgment.	The fault state remains active until all the fault messages have been acknowledged. The fault state and the Fault LED are cleared if the only reason was an IP Alive error message. The command cannot be executed in client mode.					
		—	—	—	—	✓	✓
linkack [Index All]	Displays or acknowledges (clears) the Link Check messages requiring acknowledgment.	The fault state remains active until all the fault messages have been acknowledged. The fault state and the Fault LED are cleared if the only reason was a Link Check error message. The command cannot be executed in client mode.					
		—	—	—	—	✓	✓

See also

Fault State menu command (Page 106)

5.7.2.14 CLI\SYSTEM\LOADSAVE menu command

Saving and loading device data

With the commands in this menu, you can save data from the device or load data to the device (configuration data, firmware, authentication data etc.).

CLI\SYSTEM\LOADSAVE>

Command	Description	Comment					
		I/WLAN/ PB LINK	W744	W746	W747	W78x	W78x RR
server [IP address] :[port number]	Specifies the IP address and the port of the TFTP server.	✓	✓	✓	✓	✓	✓
fwname [file name]	Specifies the name of a file from which the firmware will be loaded or in which the firmware will be saved. This name can be a maximum of 32 characters long.	✓	✓	✓	✓	✓	✓
fwload	Loads the firmware from a file.	✓	✓	✓	✓	✓	✓
fwsave	Saves the firmware in a file.	✓	✓	✓	✓	✓	✓
cfgname [file name]	Specifies the name of a file from which the configuration data will be loaded or in which the configuration data will be saved.	✓	✓	✓	✓	✓	✓
cfgload	Loads the configuration data from a file	✓	✓	✓	✓	✓	✓
cfgsave	Saves the configuration data in a file.	✓	✓	✓	✓	✓	✓
logname [file name]	Specifies the name of a file in which the log table will be saved.	✓	✓	✓	✓	✓	✓
logsave	Saves the log table in a file.	✓	✓	✓	✓	✓	✓
cltcert <certificate>	Specifies the name of the certificate for the client.	Available only for clients or access points in client mode.					
		✓	✓	✓	✓	✓	✓
cltpass <password>	Authorizes use of the certificate.	Available only for clients or access points in client mode.					
		✓	✓	✓	✓	✓	✓
cltload	Downloads the client certificate from a file.	Available only for clients or access points in client mode.					
		✓	✓	✓	✓	✓	✓
cltsave	Saves the client certificate in a file.	Available only for clients or access points in client mode.					
		✓	✓	✓	✓	✓	✓
srvcert <certificate>	Specifies the name of the certificate for the server.	Available only for clients or access points in client mode.					
		✓	✓	✓	✓	✓	✓
srvload	Downloads a server certificate from a file.	Available only for clients or access points in client mode.					
		✓	✓	✓	✓	✓	✓
srvsave	Saves the server certificate in a file.	Available only for clients or access points in client mode.					
		✓	✓	✓	✓	✓	✓
cltdel	Deletes the client certificate.	Available only for clients or access points in client mode.					
		✓	✓	✓	✓	✓	✓
srvdel	Deletes the server certificate.	Available only for clients or access points in client mode.					
		✓	✓	✓	✓	✓	✓

		Comment						
pkgsave	Saves the Configuration Package in a file over a TFTP server.	Available only for clients or access points in client mode. Is visible only if a certificate is loaded on the client.						
		<table border="1"> <tr> <td>✓</td> <td>✓</td> <td>✓</td> <td>✓</td> <td>✓</td> <td>✓</td> </tr> </table>	✓	✓	✓	✓	✓	✓
✓	✓	✓	✓	✓	✓			

Note

The functionality can be controlled over SNMP with the OID 1.3.6.1.4.1.4196.1.1.4.100.1.5.1.19 (snDownloadEcmCfgPackageControl). Working with this function is analogous to working with the other OIDs in this group.

See also

Load & Save menu command (Page 106)

5.7.2.15 CLI\SYSTEM\CPLUG menu command

Changing the data on a C-PLUG

With the commands in this menu, you write configuration data to a C-PLUG.

CLI\SYSTEM\CPLUG>

Command	Description	Comment					
		IWLAN/ PB LINK	W744	W746	W747	W78x	W78x RR
initdef	Reinitializes the C-PLUG and copies the default configuration to the C-PLUG.	All information is deleted.					
		✓	✓	✓	✓	✓	✓
initmem	Reinitializes the C-PLUG and copies the configuration currently stored on the device to the C-PLUG.	All information is deleted.					
		✓	✓	✓	✓	✓	✓
bootfrom [MEMORY]	Displays the source medium from which the configuration is currently being read: C-PLUG or MEMORY. The restart is performed automatically.	If the C-PLUG was removed, you specify that the configuration should be read from internal memory. If a C-PLUG is inserted, the device always attempts to read the configuration from the C-PLUG. The "bootfrom [MEMORY]" command then has no effect.					
		✓	✓	✓	✓	✓	✓
cleanplug	Erases the C-PLUG.	✓	✓	✓	✓	✓	✓
preplug <dev>	Writes the configuration data to a PRESET PLUG. The "dev" parameter specifies the device for which the PRESET PLUG will be suitable:	—	✓	✓	✓	✓	✓

		Comment
1	SCALANCE W786-1PRO	
2	SCALANCE W786-2PRO	
3	SCALANCE W786-3PRO	
4	IWLAN/PB Link	

See also

C-PLUG menu command (Page 108)

5.7.3 The CLIINTERFACES menu

5.7.3.1 CLIINTERFACES\ETHERNET menu command

Settings for WLAN and Ethernet

With the commands of this menu, you configure the Ethernet interface.

CLIINTERFACES\ETHERNET>

Command	Description	Comment					
		IWLAN/ PB LINK	W744	W746	W747	W78x	W78x RR
ethspeed [A 100F 100H 10F 10H]	Specifies the transmission speed and mode of the Ethernet interface:	—	✓	✓	✓	✓	✓
	O Automatic selection by the device	This command is available only on devices with an RJ-45 connector.					
	100F 100 Mbps full duplex						
	100H 100 Mbps half duplex						
	10F 10 Mbps full duplex						
	10H 10 Mbps half duplex						
ethcross [E D]	Specifies whether or not a crossover cable is used on the Ethernet interface:	—	✓	✓	✓	✓	✓
	D Standard cable not crossover	This command is possible only when the transmission speed is not set automatically by the device ("etherspeed" command with parameter "A"). This command is available only on devices with an RJ-45 connector.					
	E Crossover cable						

See also

Ethernet menu command (Page 113)

5.7.3.2 CLI\INTERFACES\WLAN1 (or \WLAN2 or \WLAN3) menu command

Network name, transmission mode and channel selection

With the commands in this menu, you set the network to which the device belongs and select the channels.

CLI\INTERFACES\WLAN1> (or \WLAN2 or \WLAN3)

Command	Description	Comment					
		IWLAN/ PB LINK	W744	W746	W747	W78x	W78x RR
port [E D]	Enable / disable wireless port.	—	✓	✓	✓	✓	✓
ssid [network name]	Assigns a network name (SSID).	Only available in access point mode.					
		✓	✓	✓	✓	✓	✓
mode [A B G H T U X]	Selects the transmission standard:	✓	✓	✓	✓	✓	✓
	O 802.11a	Depending on the locale setting, some settings may not be possible and will then be rejected. 802.11a/g/h Turbo cannot be set in all countries.					
	B 802.11b						
	G 802.11g						
	H 802.11h						
	C 802.11a Turbo						
	U 802.11h Turbo						
	x 802.11g Turbo						
autoch [E D]	Enable / disable the channel selection by the SCALANCE W78x.	Only available in access point mode.					
		—	—	—	—	✓	✓
channel [1 ... 167]	Specifies the wireless channel.	—	—	—	—	✓	✓
altchan [channel]	Enters the channel number of the alternative DFS channel.	Possible only in 802.11h transmission.					
		—	—	—	—	✓	✓
adopt [MAC address]	MAC address of the device connected to the client over Ethernet.	Available only in the client mode.					
		—	✓	✓	✓	✓	✓
autoadopt [E D OWN]	Automatic adoption of the MAC address of the device connected to the client over Ethernet. The OWN parameter means that the client registers with the access point with its own Ethernet MAC address. With this setting, however, only IP data traffic is possible.	Available only in the client mode.					
		—	✓	✓	✓	✓	✓

		Comment					
adhoc [E D]	Select ad hoc or infrastructure mode.	Available only in the client mode. Not with iPCF.	—	✓	✓	✓	✓
anyssid [E D]	With ANY SSID, the client connects to the best access point in the environment in which it is permitted to connect.	Available only in the client mode. Not with iPCF.	✓	✓	✓	✓	✓
vapno [0 ... 7]	Specifies the number of virtual access points.		—	—	—	—	✓
outdoor [E D]	Enable / disable outdoor AP mode.		✓	✓	✓	✓	✓
802.11G	Opens the "ADVANCED G" menu (802.11g).		✓	✓	✓	✓	✓
ADVANCED	Opens the "ADVANCED" menu.		✓	✓	✓	✓	✓
DATARATES	Opens the "DATARATES" menu.		—	—	—	—	✓
VAP1	Opens the "VAP1" menu.	Displayed only when vapno > 0.	—	—	—	—	✓
VAP2	Opens the "VAP2" menu.	Displayed only when vapno > 1.	—	—	—	—	✓
VAP3	Opens the "VAP3" menu.	Displayed only when vapno > 2.	—	—	—	—	✓
VAP4	Opens the "VAP4" menu.	Displayed only when vapno > 3.	—	—	—	—	✓
VAP5	Opens the "VAP5" menu.	Displayed only when vapno > 4.	—	—	—	—	✓
VAP6	Opens the "VAP6" menu.	Displayed only when vapno > 5.	—	—	—	—	✓
VAP7	Opens the "VAP7" menu.	Displayed only when vapno > 6.	—	—	—	—	✓

5.7.3.3 CLI\INTERFACES\WLAN1\ADVANCED (or WLAN2\ADVANCED or WLAN3\ADVANCED) menu command

Configuring transmission characteristics

With the commands in this menu, you specify the parameters for the transmission characteristics such as the size at which a packet is fragmented or the antenna(s) to be used.

CLI\INTERFACES\WLAN1\ADVANCED> (or \WLAN2\ADVANCED or \WLAN3\ADVANCED) menu command

Command	Description	Comment					
		IWLAN/ PB LINK	W744	W746	W747	W78x	W78x RR
power [0...4]	Specifies by how many dB the transmit power will be reduced compared with full power:	✓	✓	✓	✓	✓	✓
	0 Full power						
	1 -3 dB, half						
	2 -6 dB, quarter						
	3 -9 dB, eighth						
4 Minimum power, -12 dB							
beacon [20 ...	Sets the beacon interval in milliseconds.	—	✓	✓	✓	✓	✓
dtim [1 ... 255]	Sets the data beacon rate.	Only available in access point mode.					
		—	—	—	—	✓	✓
rtsthr [1 ... 2346]	Specifies the packet size as of which RTS/CTS is used.	—	✓	✓	✓	✓	✓
fragthr [256 ... 2346]	Specifies the size as of which packets are fragmented.	Not with iPCF					
		—	✓	✓	✓	✓	✓
bkscan [D I A]	Specifies the mode in which the client scans for further access points.	—	✓	✓	✓	✓	✓
	D Disabled	Available only in the client mode.					
	I Scan if idle	Not with iPCF					
	O Scan always						
bkscanint [200 ... 60000]	Interval at which the client scans for further access points.	Available only in the client mode.					
		Not with iPCF					
bkchannel [channels]	Selects certain channels on which the client searches for further access points. The channels are entered separated by spaces	Available only in the client mode.					
		✓	✓	✓	✓	✓	✓
bkchsel [E D]	Enables / disables scanning for further access points on specific channels.	Available only in the client mode.					
		✓	✓	✓	✓	✓	✓
force [E D]	Enables / disables roaming if the connection is lost on Ethernet interface.	Only available in access point mode.					
		—	—	—	—	✓	✓
roamthr	Decides the threshold at which the client changes to another AP.	✓	✓	✓	✓	✓	✓

5.7 Configuration with the Command Line Interface

		Comment						
	low	Changes at a slightly higher field strength to the AP with the stronger signal.						
	medium	Changes at a moderately higher field strength to the AP with the stronger signal.						
	high	Changes only at a significantly higher field strength to the AP with the stronger signal.						
swretry [E D]	Enables / disables the software retry functionality.		Not with iPCF					
			—	✓	✓	✓	✓	
swretno [0 ... 15]	Specifies the number of software retries.		✓	✓	✓	✓	✓	
hwretno [0 ... 15]	Specifies the number of hardware retries.		Not with iPCF					
			—	✓	✓	✓	✓	
preamb [E D]	Enables / disables the short preamble.		When this function is enabled, higher data rates according to IEEE 802.11b are supported (higher performance).					
			✓	✓	✓	✓	✓	
antenna [A B SA SB D]	Specifies which antennas are used:		✓	✓	✓	✓	✓	
	O	Only antenna A	With the IWLAN/PB Link with one antenna socket, the default (Antenna A) must not be changed.					
	B	Only antenna B						
	SA	Antenna A sending, antenna B receiving.						
	SB	Antenna B sending, antenna A receiving.						
D	Use the better of the two antennas (antenna diversity).							
noise [A L M H]11	Set the noise filter.		✓	✓	✓	✓	✓	
	O	Automatic	A strong noise filter allows a more stable connection but also a shorter transmission range.					
	L	Low						
	M	Medium						
	H	High						
wmm [E D]	Enables / disables frame transmission taking into account priority.		Not with iPCF					
			✓	✓	✓	✓	✓	
antgain [0...30]	Entry of the antenna gain in dBi.		✓	✓	✓	✓	✓	
anttype [0...n]	Entry of the antenna type:		✓	✓	✓	✓	✓	
	0	User defined	To display the list, enter "anttype ?".					

		Comment						
1	ANT792-6MN - gain: 6 dBi (2.4 GHz)							
2	ANT793-6MN - gain: 6 dBi (5 GHz)							
3	ANT795-6MN - gain: 6 dBi (2.4 GHz) 8 dBi (5 GHz)							
4	ANT795-6DN - gain: 9 dBi (2.4 GHz) 9 dBi (5 GHz)							
5	ANT792-8DN - gain: 14 dBi (2.4 GHz)							
6	ANT793-8DN - gain: 18 dBi (5 GHz)							
7	ANT792-4DN (RCoax Antenna) - gain: 4 dBi (2.4 GHz)							
8	ANT793-4MN (RCoax Antenna) - gain: 6 dBi (5 GHz)							
9	RCoax leaky wave cable - gain: 0 dBi (2.4 GHz) 0 dBi (5 GHz)							
10	ANT795-4MR gain: 3 dBi (2.4 GHz) 5 dBi (5 GHz)							
11	ANT795-4MS gain: 4 dBi (2.4 GHz) 5 dBi (5 GHz)							
antcable [0 ... 30]		Entry of the length of the antenna cable in meters.	✓	✓	✓	✓	✓	✓

5.7.3.4 CLI\INTERFACES\WLAN1\SSID (or \WLAN2\SSID or \WLAN3\SSID) menu command

Connection to a network

With the command in this menu, you configure the way in which a client connects to a network.

Note

The SSID List submenu is only available for clients or access points in client mode.

CLI\INTERFACES\WLAN1\SSID> (or \WLAN2\SSID or \WLAN3\SSID)

Command	Description	Comment					
		IWLAN/ PB LINK	W744	W746	W747	W78x	W78x RR
add <network name>	Adds a network name (SSID) to the SSID list.	Available only in the client mode.					
		✓	✓	✓	✓	✓	✓
edit <index> <network name>	Changes the network name (SSID) at the <index> location in the SSID list.	Available only in the client mode.					
		✓	✓	✓	✓	✓	✓
delete <index>	Deletes the network name (SSID) from the SSID list at the <index> location.	Available only in the client mode.					
		✓	✓	✓	✓	✓	✓
clearall	Clears all network names (SSID) from the SSID list.	✓	✓	✓	✓	—	—

See also

SSID List menu command (Page 120)

5.7.3.5 CLI\INTERFACES\WLAN1\802.11G (or \WLAN2\802.11G or \WLAN3\802.11G) menu command

Special options of the 802.11g standard

With the commands in this menu, you can configure specific properties of the 802.11g standard. You can, for example, specify how management and control data is sent in 802.11g mode.

CLI\INTERFACES\WLAN1\802.11G (or \WLAN2\802.11G or \WLAN3\802.11G)

Command	Description	Comment					
		IWLAN/ PB LINK	W744	W746	W747	W78x	W78x RR
ctsmode [0 1 2]	Specifies whether the RTS/CTS method is used for 802.11g packets:	—	—	—	—	✓	✓
	0 Do not use CTS.	Only available in access point mode.					
	1 Always use CTS.						
	2 CTS depending on whether 802.11b clients exist.						
ctsrates [0 1 2 3]	Specifies the data rate for 802.11g CTS frames:	✓	✓	✓	✓	✓	✓
	0 1 Mbps	Not with iPCF					
	1 2 Mbps						
	2 5.5 Mbps						
	3 11 Mbps						

		Comment					
ctstype [0 1]	Specifies the method for avoiding 802.11g packet collisions:	✓	✓	✓	✓	✓	✓
	0	Not with iPCF					
	1	Not with iPCF					
sslot [E D]	Enables / disables short slot times between data packets.	✓	✓	✓	✓	✓	✓
only11g [E D]	When this is enabled, only the OFDM modulation technique is supported.	Only available in access point mode.					
		—	—	—	—	✓	✓

5.7.3.6 CLI\INTERFACES\WLAN1\DATARATES (or \WLAN2\DATARATES or \WLAN3\DATARATES) menu command

Variable setting of the transmission rates

With the commands of this menu, you can configure the transmission rate.

CLI\INTERFACES\WLAN1\DATARATES (or \WLAN2\DATARATES or \WLAN3\DATARATES)

Command	Description	Comment					
		IWLAN/ PB LINK	W744	W746	W747	W78x	W78x RR
info	The following overview shows you the available transmission rates and their current configuration.	—	—	—	—	✓	✓
default	Enables the default setting for the current WLAN mode	—	—	—	—	✓	✓
edit <rate> <E D> <E D>	Changes the settings for the specified data rate (in Mbps). The two parameters indicate whether the rate should be used or is defined as "Basic Rate". Overview:	Rate	Enabled	Basic Rate	Example: The command "edit 5.5 d d" disables the data rate 5.5 Mbps. The screenshot shows the default setting for the 802.11g mode.		
		1	x	x			
	2	x	x				
	5.5	x	x				
	6	x					
	9	x					
	11	x	x				
	12	x					
	18	x					

			Comment
24	x		
36	x		
48	x		
54	x		

See also

Data Rates menu command (Page 121)

5.7.3.7 CLI\INTERFACES\WLAN1\VAP1..7 (or \WLAN2\VAP1..7 or \WLAN3\VAP1..7) menu command

Virtual access points

With the commands in this menu, you make settings for virtual access points.

CLI\INTERFACES\WLAN1\VAP1..7> (or \WLAN2\VAP1..7 or \WLAN3\VAP1..7)

Command	Description	Comment				
		IWLAN/ PB LINK	W744	W746	W747	W78x W78x RR
vap [E D]	Enable / disable virtual access point.	Only available in access point mode.				
		—	—	—	—	✓
ssid [network name]	Assigns a network name (SSID).	Only available in access point mode.				
		—	—	—	—	✓

See also

VAP menu command (Page 122)

5.7.4 The CLI\SECURITY menu

5.7.4.1 CLI\SECURITY menu command

Configuration of the SCALANCE W-700

With the command in this menu, you specify how the SCALANCE W-700 is configured.

CLI\SECURITY>

Command	Description		Comment					
			IWLAN/ PB LINK	W744	W746	W747	W78x	W78x RR
mgmteth [E D]	Configuration of the SCALANCE W-700 is:		—	✓	✓	✓	✓	✓
	E	Possible only over the wired Ethernet port.						
	D	Possible over all interfaces						

See also

Security menu command (Page 123)

5.7.4.2 CLI\SECURITY\BASIC\WLAN1 (or \WLAN2 or \WLAN3) menu command

Security settings of the SCALANCE W-700

With the commands in this menu, you specify the security settings of the SCALANCE W-700.

CLI\SECURITY\BASIC\WLAN1> (or \WLAN2 or \WLAN3)

Command	Description		Comment					
			IWLAN/ PB LINK	W744	W746	W747	W78 x	W78x RR
authent [0 1 2 3 4 5 6 7 8]	Specifies the authentication type. For the parameter n, enter a number between 0 and 4 for the authentication type:		✓	✓	✓	✓	✓	✓
	0	Open System	With the authentication types 7 (WPA-Auto) and 8 (WPA-Auto-PSK), the encryption method of WPA and WPA2 or of WPA-PSK & WPA2-PSK must be the same. Not with iPCF					
	1	Shared Key						
	2	WPA (RADIUS)						
	3	WPA-PSK						
	4	802.1x (RADIUS)						
	5	WPA2						
	6	WPA2-PSK						
	7	WPA-Auto						
8	WPA-Auto-PSK							
encrypt [E D]	Encryption enabled / disabled.		✓	✓	✓	✓	✓	✓
cipher [OFF AUTO WEP AES TKI P]	Specifies the encryption scheme.		✓	✓	✓	✓	✓	✓

5.7 Configuration with the Command Line Interface

		Comment						
keysrc [0..2]	Select the key source. Enter 0 as the parameter if the key is managed by the server. Enter 1 if the key will be provided by a RADIUS server. Enter 2 if mixed operation is required.	✓	✓	✓	✓	✓	✓	
defkey [1 2 3 4]	Select the default WEP key.	✓	✓	✓	✓	✓	✓	
wpaphrase [WPA password]	Enter the WPA-PSK password.	The password can be 8 to 63 ASCII characters or exactly 64 hexadecimal characters long.						
		✓	✓	✓	✓	✓	✓	
grkint [interval]	Specifies the "Group Key Update Intervals" in WPA-PSK.	Interval in seconds, (0; 36...36000), 0 = OFF						
		—	—	—	—	✓	✓	
supssid [E D]	Enable / disable Close Wireless System functionality.	—	—	—	—	✓	✓	
intracom [A I E]	Allowed / Intracell or Ethernet blocking)	—	—	—	—	✓	✓	
	Allowed							no restriction of data traffic
	Intracell							blocking of data traffic between the clients in the cell
	Ethernet							blocking of data traffic to Ethernet
ssidcom [E D]	(Enable / Disable communication to other SSIDs)	—	—	—	—	✓	✓	
	Enable							data traffic with other SSIDs permitted
	Disable							data traffic with other SSIDs blocked
username [name]	Specifies the user name for the RADIUS server.	In client mode only.						
		✓	✓	✓	✓	✓	✓	
password [password]	Specifies the password for the RADIUS server.	In client mode only.						
		✓	✓	✓	✓	✓	✓	
chkserver [E D]	Enables / disables authentication of the server.	In client mode only.						
		✓	✓	✓	✓	✓	✓	
radauth	Sets the RADIUS authentication type to AUTO EAP_TLS EAP_TTLS PEAP	✓	✓	✓	✓	✓	✓	
preauth	Enables preauthentication for WPA2	✓	✓	✓	✓	—	—	
aging	With WPA2, sets the renewal interval for the PMK in minutes	✓	✓	✓	✓	—	—	

5.7.4.3 CLI\SECURITY\BASIC\WLAN1\VAP1..7 (or \WLAN2\VAP1..7 or \WLAN3\VAP1..7) menu command

Security settings of the virtual access point

With the commands in this menu, you specify the security settings of the virtual access point.

CLI\SECURITY\BASIC\WLAN1\VAP1>
(or \WLAN2\VAP1 or \WLAN3\VAP1)

Command	Description	Comment					
		IWLAN/ PB LINK	W744	W746	W747	W78x	W78x RR
authent [0 1 2 3 4 5 6 7 8]	Specifies the authentication type. For the parameter n, enter a number between 0 and 4 for the authentication type:	—	—	—	—	✓	✓
	0 Open System	With the authentication types 7 (WPA-Auto) and 8 (WPA-Auto-PSK), the encryption method of WPA and WPA2 or of WPA-PSK & WPA2-PSK must be the same.					
	1 Shared Key						
	2 WPA (RADIUS)						
	3 WPA-PSK						
	4 802.1x (RADIUS)						
	5 WPA2						
	6 WPA2-PSK						
	7 WPA-Auto						
8 WPA-Auto-PSK							
encrypt [E D]	Encryption enabled / disabled.	—	—	—	—	✓	✓
cipher [OFF AUTO WEP AES TKIP]	Specifies the encryption scheme.	—	—	—	—	✓	✓
defkey [1 2 3 4]	Select the default WEP key.	—	—	—	—	✓	✓
wpaphrase [WPA password]	Enter the WPA-PSK password.	The password can be 8 to 63 ASCII characters or exactly 64 hexadecimal characters long.					
grkint [interval]	Specifies the "Group Key Update Intervals" in WPA-PSK.	Interval in seconds, (0; 36...36000), 0 = OFF					
		—	—	—	—	✓	✓
supssid [E D]	Enable / disable Close Wireless System functionality.	—	—	—	—	✓	✓

5.7.4.4 CLI\SECURITY\KEYS\WLAN1 (or \WLAN2 or \WLAN3) menu command

Specifying the WEP key

With the commands in this menu, you enter a key in the key table and edit it.

CLI\SECURITY\KEYS\WLAN1>
(or \WLAN2 or \WLAN3)

Command	Description	Comment					
		IWLAN/ PB LINK	W744	W746	W747	W78x	W78x RR
add <Len> <Key> [index]	Adds at a key at the end or at the specified index in the table.	Indexes from 5 onwards are private keys					
		—	—	—	—	✓	✓
edit <Index> <Len> <Key>	Changes the key at the index location.	✓	✓	✓	✓	✓	✓
delete <Index>	Deletes the key at the index location.	✓	✓	✓	✓	✓	✓
clearall	Deletes all keys.	✓	✓	✓	✓	✓	✓

See also

Keys menu command (Page 128)

5.7.4.5 CLI\SECURITY\ACL\WLAN1 (or \WLAN2 or \WLAN3) menu command

Editing the access control list (ACL)

With the commands in this menu, you edit the entries in the access control list.

CLI\SECURITY\ACL\WLAN1>
(or \WLAN2 or \WLAN3)

Command	Description	Comment						
		IWLAN/ PB LINK	W744	W746	W747	W78x	W78x RR	
aclmode [E D S]	Global release of ACL:		—	—	—	—	✓	✓
	E	Enable	Only in access point mode					
	D	Disable						
	S	Strict						
add <MAC> [A Y K P] [key]	Create a new entry in the ACL:		—	—	—	—	✓	✓
	MAC	MAC address of the client	Only in access point mode					
	O	Allow						
	Y	Deny						
	K	Default key						
	P	Private key						
Key	Key index for private key							
edit <index> [E D] [A Y K P] [key]	Change an existing ACL entry:		—	—	—	—	✓	✓
	index	Number of the ACL entry	Only in access point mode					

			Comment					
	E	Enable						
D	Disable							
O	Allow							
Y	Deny							
K	Default key							
P	Private key							
Key	Key index for private key							
delete <index>	Delete an existing ACL entry: index number of the ACL entry	Only in access point mode						
		—	—	—	—	✓	✓	
clearall	Deletes all ACL entries.	Only in access point mode						
		—	—	—	—	✓	✓	

See also

ACL menu command (Page 128)

5.7.4.6 CLISECURITY\RADIUS menu command

Authentication over an external server

With the commands in this menu, you set, for example IP addresses, ports and password

CLISECURITY\RADIUS>

Command	Description	Comment					
		IWLAN/ PB LINK	W744	W746	W747	W78x RR	W78x RR
server [IP address]	Specifies the IP address of the primary RADIUS server.	—	—	—	—	✓	✓
server B [IP address]	Specifies the IP address of the backup RADIUS server.	—	—	—	—	✓	✓
port [port]	Specifies the port of the primary RADIUS server.	—	—	—	—	✓	✓
port B [port]	Specifies the port of the backup RADIUS server.	—	—	—	—	✓	✓
secret [password]	Specifies the password for the primary RADIUS server.	—	—	—	—	✓	✓
secret B [password]	Specifies the password for the backup RADIUS server.	—	—	—	—	✓	✓
maxreq [max. number]	Maximum number of requests to the RADIUS server.	—	—	—	—	✓	✓

5.7 Configuration with the Command Line Interface

		Comment					
maxreq B [max. number]	Maximum number of requests to the RADIUS server (backup server).	—	—	—	—	✓	✓
authprd [time in s]	Period for repeating authentication.	The default is 3600 s					
		—	—	—	—	✓	✓
Time_scr [S L]	Sets the time for reauthorization.	—	—	—	—	✓	✓
	S Server						
	L Local						

See also

RADIUS Server menu command (Page 130)

5.7.4.7 CLI\SECURITY\ACCESS menu command

Access permissions for IP addresses

With the commands in this menu, you specify the access permissions for IP addresses.

CLI\SECURITY\ACCESS>

Command	Description	Comment					
		IWLAN/ PB LINK	W744	W746	W747	W78x	W78x RR
access [E D]	Enable / disable access control list.	—	✓	✓	✓	✓	✓
statmgt [A D]	It is possible to access or not possible to access the IP addresses of the access control list (Accessed / Denied).	—	✓	✓	✓	✓	✓
add <IP>	Adds a new IP address.	—	✓	✓	✓	✓	✓
edit <Index IP> [E D]	Enables / disables the entry in the table specified by the index or IP address.	—	✓	✓	✓	✓	✓
delete <Index IP>	Deletes the entry.	—	✓	✓	✓	✓	✓
edit_r [E D] [IP_1 IP_2]	Adds a new IP range or edits the IP range.	—	✓	✓	✓	✓	✓
clearall	Clears the access control list.	—	✓	✓	✓	✓	✓
delete_r	Deletes an IP range	—	✓	✓	✓	✓	✓
clear_r	Clears all IP ranges.	—	✓	✓	✓	✓	✓

See also

Access menu command (Page 131)

5.7.5 The CLI\BRIDGE menu

5.7.5.1 CLI\BRIDGE menu command

Deleting aged bridge information

With the command in this menu, you specify the time after which old bridge information in the learning table is deleted.

CLI\BRIDGE>

Command	Description	Comment					
		IWLAN/ PB LINK	W744	W746	W747	W78x	W78x RR
aging [E D aging time]	Enables / disables automatic deletion of information on the assignment of MAC addresses and ports. With the Aging time parameter, you can change the time.	Values between 10 s and 1,000,000 s can be set for the aging time. The default value is 300 s (5 min).					
learn	Displays the learning table.	—	✓	✓	✓	—	—
arp	Displays the ARP table.	—	✓	✓	✓	✓	✓
ipmap	Displays the IP mapping table	—	✓	✓	✓	—	—
STORMTHR	Opens the storm threshold menu	—	✓	✓	✓	—	—
NAT	Opens the NAT menu	—	✓	✓	✓	—	—

See also

Bridge menu command (Page 131)

5.7.5.2 CLI\BRIDGE\WDS\WLAN1 (or \WLAN2 or \WLAN3) menu command

Increasing network span with WDS

With the commands in this menu, you set the WDS mode (Wireless Distributed System) to increase the network span or to set up a wireless backbone.

CLI\BRIDGE\WDS\WLAN1>-(or \WLAN2 or \WLAN3)

Command	Description	Comment					
		IWLAN/ PB LINK	W744	W746	W747	W78x	W78x RR
edit <Index> [E D] [SE SD] [key]	Changes the WDS connection specified by Index. With [E D], you can enable / disable the connection.	—	—	—	—	✓	✓

5.7 Configuration with the Command Line Interface

		Comment					
<code>delete <Index></code>	Deletes the connection with the specified index.	—	—	—	—	✓	✓
<code>clearall</code>	Deletes all WDS connections.	—	—	—	—	✓	✓

See also

WDS menu command (Page 132)

5.7.5.3 CLI\BRIDGE\VLAN\VLAN_ID menu command

VLAN

With the commands in this menu, you specify the VLAN-ID.

CLI\BRIDGE\VLAN\VLAN_ID>

Command	Description	Comment					
		I/WLAN/ PB LINK	W744	W746	W747	W78x	W78x RR
<code>info</code>	Shows the currently configured VLANs and their relationship to the ports.	—	—	—	—	✓	✓
<code>add <VLAN-ID> [u [ports]]</code>	Inserts a new VLAN. Ports: Specifies the port that will be configured for the VLAN. u: The port is a member of the VLAN, frames are sent without a VLAN tag. Examples: add 100 u 2 4 Creates an entry with the VLAN-ID 100. Ports 2 and 4 are members of this VLAN.	—	—	—	—	✓	✓
<code>edit <VLAN-ID> [- [ports],] [u [ports],]</code>	Changes the membership of ports in a VLAN. The parameters correspond to those of the add command. Examples: edit 100 - 2 Port 2 no longer belongs to the VLAN with ID 100.	—	—	—	—	✓	✓
<code>delete <VLAN-ID></code>	Deletes the VLAN with the specified VLAN ID from the configuration of the SCALANCE W78x.	—	—	—	—	✓	✓

See also

VLAN menu command (Page 134)

5.7.5.4 CLI\BRIDGE\VLAN\PORTS menu command

VLAN ports

With the commands in this menu, you set the properties of the VLAN port.

CLI\BRIDGE\VLAN\PORTS>

Command	Description	Comment					
		IWLAN/ PB LINK	W744	W746	W747	W78x	W78x RR
info	Displays an overview of the ports and corresponding VLAN settings.	—	—	—	—	✓	✓
vlan <Port> <E D>	Enables / disables VLAN for the specified port.	—	—	—	—	✓	✓
portvid <Port> <VLAN-ID>	Frames received at the specified port without a VLAN tag are given a VLAN tag with the <VLAN-ID>.	—	—	—	—	✓	✓
portprio <Port> <Priority>	The priority assigned to untagged frames according to 802.1d.	—	—	—	—	✓	✓
member <Port> <all specific>	The specified port is a member of all VLANs or only the VLAN configured in VLAN ID (specific, see above).	—	—	—	—	✓	✓

See also

VLAN menu command (Page 134)

5.7.5.5 CLI\BRIDGE\SPANNING menu command

Spanning Tree properties

With the commands in this menu, you set the Spanning Tree properties.

CLI\BRIDGE\SPANNING>

Command	Description	Comment					
		IWLAN/ PB LINK	W744	W746	W747	W78x	W78x RR
info	Shows the current spanning tree configuration.	—	—	—	—	✓	✓

5.7 Configuration with the Command Line Interface

		Comment					
spanning [E D]	Enables (E) or disables (D) the (R)STP algorithm.	—	—	—	—	✓	✓
version [R S]	Specifies whether the Rapid Spanning Tree (R) or Spanning Tree (S) mode is used.	—	—	—	—	✓	✓
bridge [0 ... 61440]	This specifies the bridge priority for the SCALANCE W-700:	Default value: 32768					
		—	—	—	—	✓	✓
hellotm [1...10]	Specifies the interval between two BPDUs in seconds.	Default value: 2 s					
		—	—	—	—	✓	✓
fwd_delay [4...30]	Specifies the delay time for the effectiveness of configuration information (specified in seconds).	Default value: 15 s					
		—	—	—	—	✓	✓
maxage [6...40]	Maximum age for configuration information. (specified in seconds).	Default value: 20 s					
		—	—	—	—	✓	✓

See also

Spanning Tree menu command (Page 140)

5.7.5.6 CLI\BRIDGE\SPANNING\PORTS menu command

Spanning tree port

With the commands in this menu, you set the Spanning Tree port properties.

CLI\BRIDGE\SPANNING\PORTS>

Command	Description	Comment					
		IWLAN/ PB LINK	W744	W746	W747	W78x	W78x RR
info	Displays the current spanning tree configuration.	—	—	—	—	✓	✓
portstp <E D> [ports]	Enables / disables the spanning tree algorithm for the specified ports.	—	—	—	—	✓	✓
portprio <Port> [0 ... 240]	Specifies the priority of the port.	Default value: 32768					
		—	—	—	—	✓	✓
stp_cost <Port> [1 ... 65535]	Specifies the path costs for the port if Version is set to STP.	Default value: 15 s					
		—	—	—	—	✓	✓
rstp_cost <Port> [0 ... 200000000]	Specifies the path costs for the port if Version is set to RSTP. If the value is 0, the value is calculated.	Default value: 20 s					
		—	—	—	—	✓	✓

		Comment					
edgeport <Port> [T F]	Specifies whether or not an edge port (T) or a station (F) that supports spanning tree or rapid spanning tree is attached to this port. If a (rapid) spanning tree protocol is received, the value F is displayed automatically.	—	—	—	—	✓	✓
ptpport <port> <A T F>	The point-to-point link establishes a direct link between two stations. In this case, you have the following options:	—	—	—	—	✓	✓
	O	The port recognizes a PtP port based on the duplexity. If the connection is full duplex, it is assumed to be PtP, if it is half duplex, no PtP connection is assumed (shared medium).					
	C	Specifies a PtP link, even though half duplex is being used.					
	F	Specifies that there is no PtP link over the relevant port even with full duplex.					

See also

Spanning Tree menu command (Page 140)

5.7.5.7 CLI\BRIDGE\STORMTHR menu command

Storm threshold

With the commands in this menu, you set the storm threshold properties.

CLI\BRIDGE\STORMTHR>

Command	Description	Comment					
		IWLAN/ PB LINK	W744	W746	W747	W78x	W78x RR
stormthr <E D>	Enables / disables the storm threshold function.	✓	✓	✓	✓	✓	✓
broadcast <limit value>	Specifies the maximum number of broadcast packets per second from the same address.	✓	✓	✓	✓	✓	✓
multicast <limit value>	Specifies the maximum number multicast packets per second from the same address.	✓	✓	✓	✓	✓	✓

5.7 Configuration with the Command Line Interface

		Comment					
<code>broad_eth <limit value></code>	Specifies the maximum number of broadcast packets per second for the Ethernet interface.	✓	✓	✓	✓	✓	✓
<code>multi_eth <limit value></code>	Specifies the maximum number of multicast packets per second for the Ethernet interface.	✓	✓	✓	✓	✓	✓
<code>broad_1 <limit value></code> <code>broad_2 <limit value></code>	Specifies the maximum number of broadcast packets per second for the first or second wireless interface.	✓	✓	✓	✓	✓	✓
<code>multi_1 <limit value></code> <code>multi_2 <limit value></code>	Specifies the maximum number of multicast packets per second for the first or second wireless interface.	✓	✓	✓	✓	✓	✓

See also

Storm Threshold menu command (Page 147)

5.7.5.8 CL\BRIDGE\NAT menu command

NAT (Network Address Translation)

With the commands in this menu, you set the NAT properties.

CL\BRIDGE>nat

Command	Description	Comment					
		IWLAN/ PB LINK	W744	W746	W747	W78x	W78x RR
<code>nat [E D]</code>	Enables/disables NAT	✓	✓	✓	✓	✓	✓
<code>ip [IP address]</code>	Sets the local IP address for the Ethernet port	✓	✓	✓	✓	✓	✓
<code>subnet [Subnet mask]</code>	Sets the subnet mask for the Ethernet port	✓	✓	✓	✓	✓	✓
<code>static</code>	Opens the "STATIC" menu	✓	✓	✓	✓	✓	✓

See also

NAT menu command (Page 147)

5.7.5.9 CL\BRIDGE\NAT\STATIC menu command

NAT STATIC

With the commands in this menu, you set the NAT STATIC properties.

CLI\BRIDGE\NAT>STATIC

Command	Description	Comment					
		IWLAN/ PB LINK	W744	W746	W747	W78x	W78x RR
add <Type> <G-Port> <L-IP> <L-Port>	Add a static NAT entry:	✓	✓	✓	✓	✓	✓
	Type TCP or UDP						
	G-Port Global Port						
	L-IP Local IP						
	L-Port Local Port						
edit <Index> <E D> [type] [G-Port] [L-IP] [L-Port]	Edit a static NAT entry:	✓	✓	✓	✓	✓	✓
	Index Index in table						
	Type TCP or UDP						
	G-Port Global Port						
	L-IP Local IP						
L-Port Local Port							
delete <Index>	Deletes a static NAT entry	✓	✓	✓	✓	✓	✓
clearall	Deletes all static NAT entries	✓	✓	✓	✓	✓	✓

CLI\BRIDGE\NAT\STATIC>info

Index	Enabled	Type	Global Port	Local IP	Local Port
1	x	TCP	21	172.27.138.2	1026

Example of static information

See also

NAT menu command (Page 147)

5.7.6 The CLI\FILTERS menu

5.7.6.1 CLIFILTERS\MAC1FLT menu command

MAC Filter

With the commands in this menu, you set the MAC filter properties.

CLI\FILTERS\MAC1FLT>

Command	Description	Comment					
		IWLAN/ PB LINK	W744	W746	W747	W78x	W78x RR
fltmac1 <E D>	Enables / disables the filter.	—	—	—	—	✓	✓
statmac1 [F B]	If the value is set to F (forwarding), only packets with a source address contained in the table are forwarded. In mode B (blocking), these packets are blocked and all others are forwarded.	—	—	—	—	✓	✓
add <MAC addr.> [description]	Adds a new address to the filter list. The optional description has no influence on the list and simply serves as information for the user.	—	—	—	—	✓	✓
edit <Number MAC> [E D] [description]	Changes the specified value.	—	—	—	—	✓	✓
check_wds <E D>	Enables / disables checking including the WDS ports. With the E setting, the WDS ports are also monitored.	—	—	—	—	✓	✓
delete <Number MAC>	Deletes the entry from the list.	—	—	—	—	✓	✓
clearall	Deletes all entries from the list.	—	—	—	—	✓	✓

See also

MAC Filters menu command (Page 152)

5.7.6.2 CLI\FILTERS\MAC2FLT menu command

MAC-dependent communication paths

With the commands in this menu, you specify which device (MAC address) can communication with which devices (MAC address).

CLI\FILTERS\MAC2FLT>

Command	Description	Comment					
		IWLAN/ PB LINK	W744	W746	W747	W78x	W78x RR
fltmac2 <E D>	Enables / disables the MAC filter.	—	—	—	—	✓	✓
add <SourceMAC> <DestMAC>	Adds a new entry with source and destination address to the filter.	—	—	—	—	✓	✓
edit <Index> [E D] [SourceMAC] [DestMAC]	Changes the entry specified by Index. With [E D], you can enable / disable the entry.	—	—	—	—	✓	✓
delete <Index>	Deletes the entry at the specified index position.	—	—	—	—	✓	✓
clearall	Deletes all entries for the MAC filter.	—	—	—	—	✓	✓

See also

MAC Dir Filter menu command (Page 152)

5.7.6.3 CL\FILTERS\PROTO menu command

Protocol filters

With the commands in this menu, you set the protocol filter properties.

CL\FILTERS\PROTO>

Command	Description	Comment					
		WLAN/ PB LINK	W744	W746	W747	W78x	W78x RR
clearall	Deletes all entries for the protocol filter.	—	—	—	—	✓	✓
statprot <F B>	The selected protocols are forwarded / not forwarded.	—	—	—	—	✓	✓
fltprot <E D>	Enables / disables the protocol filter.	—	—	—	—	✓	✓
add <Pattern> [description]	Adds a new entry. A hexadecimal value is expected for the "Pattern" value. The user can enter a short note for this protocol as the description.	—	—	—	—	✓	✓
edit <Index> [E D] [Pattern] [description]	Changes of enables / disables the filter entry.	—	—	—	—	✓	✓
delete <Index>	Deletes the filter entry.	—	—	—	—	✓	✓
clearall	Deletes all entries from the table.	—	—	—	—	✓	✓

See also

Protocol Filter menu command (Page 152)

5.7.7 The CL\IFEATURES menu

5.7.7.1 CL\IFEATURES\IQOS\WLAN1 (or \WLAN2 or \WLAN3) menu command

Note

This function is not available in firmware version 3.2.

Client-specific bandwidth reservation - Quality of Service (iQoS)

With the commands in this menu, you set the properties of the iQoS mode or obtain information on iQoS.

CLI\FEATURE\IQOS\WLAN1> (or \WLAN2 or \WLAN3)

Command	Description	Comment					
		IWLAN/ PB LINK	W744	W746	W747	W78x	W78x RR
iqos [E D]	Enables / disables iQoS functionality.	—	—	—	—	✓	✓
static [E D]	Enables / disables the calculation of the minimum transmission rate.	—	—	—	—	✓	✓
response [response time]	Specifies the response time for a client with bandwidth reservation.	15 – 1000 ms, default 50 ms					
add <MAC> <Max_BW> [E D]	Creating a critical client.	—	—	—	—	✓	✓
edit <Index> <Max_BW> <E D>	Changes the setting of a client	—	—	—	—	✓	✓
delete <Index>	Deletes a critical client	—	—	—	—	✓	✓
clearall	Deletes all critical clients	—	—	—	—	✓	✓
info	Displays information on iQoS.	—	—	—	—	✓	✓

The CLI also supplies detailed information on iQoS. In this view, the first part displays the current configuration, in other words whether iQoS is enabled, , whether the calculations and reservations are based on the static "worst-case" assumptions (static = enabled) or the current situation (static = disabled). The number of configured critical clients is also displayed.

```

Telnet 192.168.1.9
CLI\IFEATURES\IQOS\WLAN1>info
iQoS                : enabled
static              : disabled
Guarantee Time     : 50 ns
Critical Clients    : 1
Index | MAC Address | Bandwidth (kbit/s) | Enabled | Accepted
-----|-----|-----|-----|-----
  1 | 08-00-06-2A-BB-06 | 200 | X | X

Traffic statistics (Timestamp: 100016 ns):
          | CC | CNC | NCS | NCR | NCR
-----|-----|-----|-----|-----|-----
Number of clients | 1 | 0 | 3 | 0 | 0
Frame rate       | 193 | 0 | 470 | 0 | 0

Associated Clients:
  AID | MAC Address | SI (ns) | Status | TX bytes | RX bytes
-----|-----|-----|-----|-----|-----
  4 | 00-0D-88-65-13-B1 | 1.62 | NCS | 241711 | 43041
  3 | 00-05-5D-9A-13-FF | 1.62 | NCS | 10049620 | 10063453
  2 | 08-00-06-2A-BB-06 | 0.0 | CC | 509256 | 512666
  1 | 00-50-8B-5E-0B-DB | 1.62 | NCS | 557405 | 566839

SI = shaper interval
CC = critical compliant
CNC = critical non-compliant
NCS = non-critical satisfied
NCR = non-critical regulated
NCR = non-critical non-responsive
CLI\IFEATURES\IQOS\WLAN1>

```

The "Traffic statistics" table shows how many clients are currently in each status and how many packets of a particular class were sent for each of these classes.

The "Associated Clients" table provides an overview of all clients, their current classification, and the volume of sent and received data. The shaper interval (SI) is also displayed for each client. The shaper interval is the minimum spacing between two packets of a client set by iQoS. For NCS clients, the SI is selected so that their bandwidth is twice the size of the current bandwidth.

See also

iQoS menu command (in access point mode only) (Page 153)

iQoS menu command (Page 165)

5.7.7.2 CLI\IFEATURES\FORCED_ROAM\WLAN1 (or \WLAN2 or \WLAN3) menu command

Cyclic connection monitoring of an IP address

With the commands in this menu, you set the properties of the forced roaming mode.

CLNIFEATUERS\FORCED_ROAM\WLAN1> (or \WLAN2 or \WLAN3)

Command	Description	Comment					
		IWLAN/ PB LINK	W744	W746	W747	W78x	W78x RR
froam [E D]	Enables or disables forced roaming on IP down.	—	—	—	—	✓	✓
ip [IP address]	Monitors the connection to this IP partner.	—	—	—	—	✓	✓
interval [100 - 5000]	Specifies the monitoring cycles to the IP partner in milliseconds.	—	—	—	—	✓	✓
lostpkts [1 - 5]	Specifies the maximum number of unanswered pings before the WLAN interface is disabled.	—	—	—	—	✓	✓

See also

Forced Roaming on IP Down menu command (in access point mode only) (Page 154)

5.7.7.3 CLNIFEATUERS\LINKCHECK menu command

Device-related connection monitoring

With the commands in this menu, you set the properties of device-related connection monitoring.

CLNIFEATUERS\LINKCHECK>

Command	Description	Comment					
		IWLAN/ PB LINK	W744	W746	W747	W78x	W78x RR
linkchk [E D]	Enable / disable device-related connection monitoring.	—	—	—	—	✓	✓
add <MAC> [timeout]	Adds a new MAC address for connection monitoring and specifies the monitoring time. No time is specified, the default is 500 ms.	—	—	—	—	✓	✓
edit <Index MAC> [E D] [timeout]	Modifies, enables, or disables an entry.	—	—	—	—	✓	✓
delete <Index MAC>	Deletes the specified entry from the list.	—	—	—	—	✓	✓
clearall	Deletes all entries for connection monitoring.	—	—	—	—	✓	✓
acknow [Index All]	Displays or acknowledges (clears) the Link Check messages requiring acknowledgment.	The fault state remains active until all the fault messages have been acknowledged. The fault status and the LED are cleared if the reason for the fault status was only a link check error message.					

		Comment					
		—	—	—	—	✓	✓

See also

Link Check menu command (in access point mode only) (Page 154)

5.7.7.4 CLN\FEATURES\REDUNDANCY menu command

Redundant connection

With the commands in this menu, you set the properties of the redundant connection between two devices.

CLN\FEATURES\REDUNDANCY>

Command	Description	Comment					
		IWLAN/ PB LINK	W744	W746	W747	W78x	W78x RR
redun [E D]	Enables / disables the redundancy function	—	—	—	—	✓	✓
wep [E D]	Enables / disables encryption.	—	—	—	—	✓	✓
mac1 <MAC address>	Specifies the device that will be operated redundantly along with the first wireless adapter.	—	—	—	—	✓	✓
mac2 <MAC address>	Specifies the device that will be operated redundantly along with the second wireless adapter.	—	—	—	—	✓	✓
name [system name]	Instead of the MAC addresses, you can also specify the sysName of the device.	—	—	—	—	✓	✓
wepkey1 [key index]	Specifies the WEP key of the device that will be operated redundantly along with the first wireless adapter.	—	—	—	—	✓	✓
wepkey2 [key index]	Specifies the WEP key of the device that will be operated redundantly along with the second wireless adapter.	—	—	—	—	✓	✓

See also

Redundancy menu command (in access point mode only) (Page 155)

5.7.7.5 CLNIFEATURES\IP_ALIVE menu command

Application-related connection monitoring

With the commands in this menu, you set the properties of application-related connection monitoring.

CLNIFEATURES\IP_ALIVE>

Command	Description	Comment					
		IWLAN/ PB LINK	W744	W746	W747	W78x	W78x RR
ipalive <E D>	Enables / disables application-related connection monitoring.	—	—	—	—	✓	✓
add <E D> <IP address> <:Port> <Timeout>	Adds a new IP address to the connection monitoring and enables / disables monitoring for this IP address.	—	—	—	—	✓	✓
edit <Index IP addr.> [:port] [E D] [timeout]	Modifies, enables, or disables the entry specified by the index or IP address.	—	—	—	—	✓	✓
delete <Index IP addr.>	Deletes the node to be monitored.	—	—	—	—	✓	✓
clearall	Deletes all entries for connection monitoring.	—	—	—	—	✓	✓
acknow [Index All]	Displays or acknowledges (clears) the IP Alive messages requiring acknowledgment.	The fault state remains active until all the fault messages have been acknowledged. The fault state and the Fault LED are cleared if the only reason was an IP Alive error message. The command is not visible in the client mode.					
		—	—	—	—	✓	✓

See also

IP Alive menu command (in access point mode only) (Page 156)

5.7.8 The CLNIFORM menu

5.7.8.1 CLNIFORM menu command

System events and information on the protocols

The pages of this menu provide information on system events and protocols.

CLI\INFORM>

Command	Description	Comment					
		IWLAN/ PB LINK	W744	W746	W747	W78x	W78x RR
info	Displays information on the current menu item.	This can be called in every submenu.					
		✓	✓	✓	✓	✓	✓
WLAN1	Opens the WLAN menu	✓	✓	✓	✓	—	—
ETHERNET	Opens the ETHERNET menu	—	✓	✓	✓	—	—
LOG	Opens the LOG menu	✓	✓	✓	✓	—	—
AUTHLOG	Opens the AUTHLOG menu	✓	✓	✓	✓	—	—
SIGNAL	Open the signal recorder menu	✓	✓	✓	✓	—	—
spanning	Displays information on spanning tree	—	—	—	—	✓	✓

See also

Information menu command (Page 157)

5.7.8.2 CLI\INFORM\LOG menu command

System events and information on the protocols

The pages of this menu display tables contain information on system events and on the behavior of the protocols (IP, TCP, UDP, and ICMP, SNMP).

CLI\INFORM\LOG>

Command	Description	Comment					
		IWLAN/ PB LINK	W744	W746	W747	W78x	W78x RR
events <show clear>	Displays or deletes the log table.	✓	✓	✓	✓	✓	✓
addevent <Text>	Adds an event to the log table.	✓	✓	✓	✓	✓	✓
eventmax [Max count]	Sets the maximum number of log entries.	The default is 400.					
		✓	✓	✓	✓	✓	✓

See also

Log Table menu command (Page 157)

5.7.8.3 CLI\INFORM\AUTHLOG menu command

Logging authentication

The pages of this menu contain a table with information on successful or failed authentication attempts.

CLI\INFORM\AUTHLOG>

Command	Description	Comment					
		I\WLAN/ PB LINK	W744	W746	W747	W78x	W78x RR
show [0...8]	Displays the authentication entries. By specifying a parameter, the display can be limited to specific information:	✓	✓	✓	✓	✓	✓
	0 All						
	1 Good						
	2 All Errors						
	3 802.11 Errors						
	4 ACL Errors						
	5 RADIUS Errors (request denied, password rejected etc.)						
	6 802.1x Errors (timeout, no response from RADIUS or WPA server)						
	7 Deauthenticated Errors						
8 Deassociated errors							
clear	Deletes all entries.	✓	✓	✓	✓	✓	✓

See also

Auth Log menu command (Page 157)

5.7.8.4 CLI\INFORM\WLAN1 (or \WLAN2 or \WLAN3) menu command

Logged-on clients

All the logged-on clients along with certain additional information (wireless channel, status etc.) are displayed here.

CLI\INFORM\WLANx>

Command	Description	Comment					
		IWLAN/ PB LINK	W744	W746	W747	W78x	W78x RR
Station	Displays information on the connected stations.	✓	✓	✓	✓	✓	✓
resetStats	Resets the statistics that are displayed with the Station command.	✓	✓	✓	✓	✓	✓
Apinfo	Displays information on the access point.	(only in access point mode)					
		—	—	—	—	✓	✓
Scan	Displays all the access points in the area. Possible only if iPCF is disabled.	✓	✓	✓	✓	✓	✓
Noise	Shows disturbances on the individual channels.	✓	✓	✓	✓	✓	✓
stasort	Displays information on the available access points sorted according to MAC addresses or signal strength.	✓	✓	✓	✓	—	—
scanww	Displays all access points regardless of the country code.	—	✓	✓	✓	✓	✓
vap	Displays all configured SSIDs (VAPs).	—	—	—	—	✓	✓
overlap	Shows the access points on the set or adjacent channels.	—	—	—	—	✓	✓
over_age [1..7200]	Changes the aging interval (in minutes) for the list of neighboring access points. If an AP is inactive for longer than the time set here, it is removed from the list.	—	—	—	—	✓	✓

See also

Client List menu command (Page 159)

5.7.8.5 CLI\INFORM\SIGNAL menu command

Display of the current signal strength and recording of a series of measurements

With the commands in this menu, you set the properties of the signal recorder.

CLI\INFORM\SIGNAL>

Command	Description	Comment					
		IWLAN/ PB LINK	W744	W746	W747	W78x	W78x RR
restart <interval> [number of recording points]	Starts signal recording.	This command is only available in the client mode.					

		Comment					
		✓	✓	✓	✓	✓	✓
	The interval at which the current signal is recorded can be between 1 and 1000 milliseconds. A value between 1 and 20000 is possible for the number of recording points.	✓	✓	✓	✓	✓	✓
recstop	Stops signal recording prematurely.	This command is only available in the client mode.					
		✓	✓	✓	✓	✓	✓
dispstart [interval]	Displays the current signal strength cyclically on the CLI. The interval can be between 100 and 10000 milliseconds	This command is only available in the client mode.					
		✓	✓	✓	✓	✓	✓
dispstop	Starts cyclic output of the signal strength.	This command is only available in the client mode.					
		✓	✓	✓	✓	✓	✓
exit	Closes the CLI/TELNET connection.	This command is only available in client mode					
		✓	✓	✓	✓	✓	✓
info	Displays the parameters of the signal recorder	This command is only available in client mode					
		✓	✓	✓	✓	✓	✓

See also

Signal Recorder menu command (Page 167)

5.8 Configuring with the PRESET PLUG

5.8.1 How the PRESET-PLUG works

Multiple use of configuration data

The PRESET PLUG is an extremely simple way of assigning a configuration to several identically configured SCALANCE W786 devices. You transfer an existing configuration to any number of other devices using the PRESET PLUG. This procedure is particularly useful when commissioning a lot of WLAN clients with the same parameter settings because you do not need to set parameters for each client manually.

Note

To avoid duplicating IP addresses, the IP parameters are not changed but are retained when you use the PRESET PLUG.

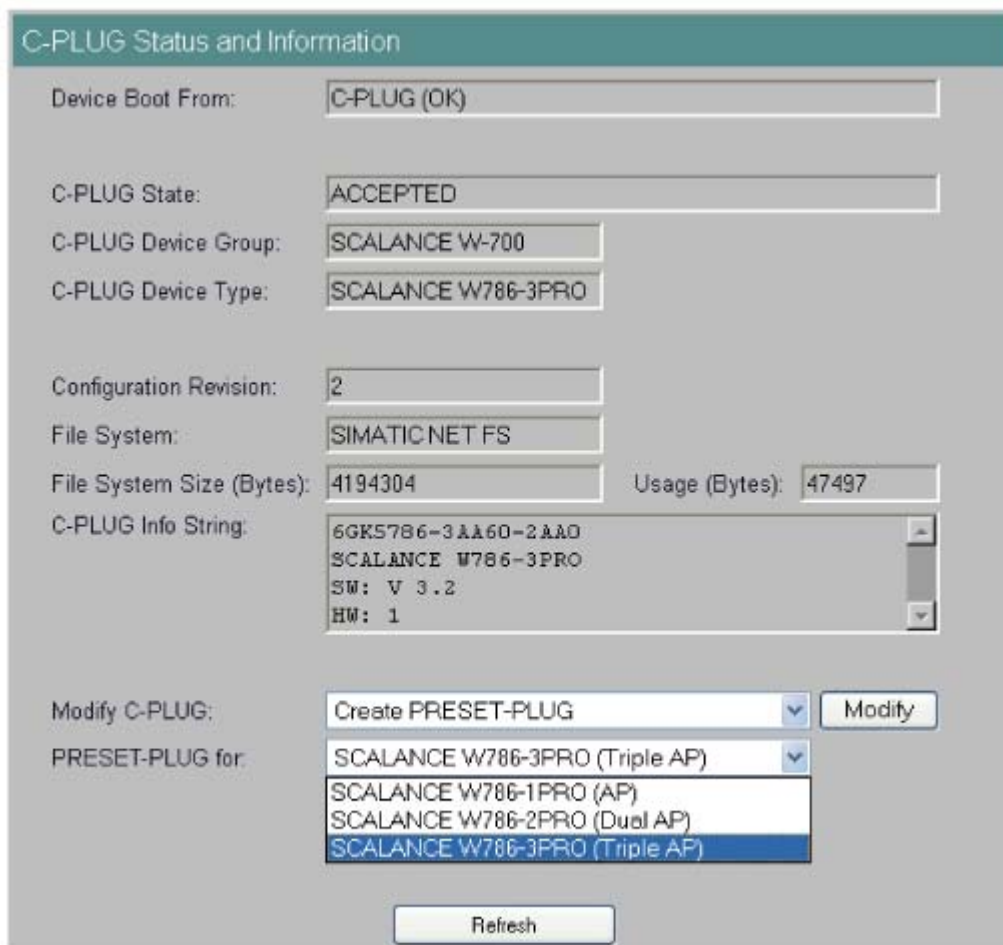
If the PRESET PLUG is inserted, the WLAN interface of the device is deactivated. WLAN operation with a PRESET PLUG insert it is not possible.

5.8.2 Creating a Configuration with a new PRESET PLUG

Procedure

Follow the steps below to save a configuration on a PRESET PLUG:

1. Insert the PRESET PLUG in the C-PLUG slot of a powered-down device with the required configuration and then turn on the device.
2. Start Web Based Management and select the **System > C-PLUG** menu.
3. In the "Modify C-PLUG" drop-down list box, select the "Create PRESET-PLUG" entry.



4. In the "PRESET PLUG for" box, specify the device for which you want to create the PRESET PLUG. The PRESET-PLUG created in this way functions only with the device type you selected. The figure above shows an example of the possible selections for a SCALANCE W786.
5. Click on the "Modify" button to transfer the configuration of the device to the PRESET PLUG.
6. Turn the device off and remove the PRESET PLUG.

5.8.3 Changing a PRESET PLUG that already contains configuration data

Procedure

Follow the steps below to change the configuration data on a PRESET PLUG:

1. Insert the PRESET PLUG in the C-PLUG slot of a powered-down SCALANCE W-700 and then turn on the device. The P1 and R1 LEDs flash yellow to signal that the PRESET PLUG was detected.

2. Start Web Based Management; there you will see the current settings of the PRESET PLUG.
3. Make the required changes to the configuration.
4. In the "Modify C-PLUG" drop-down list box, select the "Create PRESET-PLUG" entry.
5. In the "PRESET PLUG for" box, specify the device for which you want to create the PRESET PLUG.
6. Click the "Modify" button to transfer the configuration of the device to the PRESET PLUG.
7. Turn the device off and remove the PRESET PLUG.

5.8.4 Putting a device into operation with a PRESET PLUG

Procedure

Note

To work correctly, the PRESET PLUG must have a content that matches the target device.

Follow the steps below to put a device into operation with the configuration data on a PRESET PLUG.

1. Insert the PRESET PLUG in the C-PLUG slot of the device to which you want to assign a configuration.
2. Turn on the power to the device. The LEDs "P1" and "R1" (and "Rx" on a SCALANCE W-700 with more than one wireless interface) flash yellow to signal that the PRESET PLUG was detected.
3. Press the reset button beside the C-PLUG briefly to save the settings of the PRESET PLUG on the device.
4. When all the data has been transferred from the PRESET PLUG to the device, the LEDs stop flashing and are permanently lit.
5. Turn the device off and remove the PRESET PLUG.

Note

The next time the device starts up, it uses the settings from the PRESET PLUG and the previous IP configuration.

Upkeep and maintenance

6.1 Loading new firmware over FTP

Procedure

You can load new firmware on a SCALANCE W-700 over FTP even if the device is not reachable over WEB Based Management or the CLI. This may be the situation if there was a power down during a firmware update. Follow the steps below to load new firmware using FTP:

1. Turn off the power to the device.
2. Now press the Reset button and reconnect the power to the device while holding down the button.
3. Hold down the button until the red fault LED (F) starts to flash after approximately 2 seconds.
4. Now release the button. The bootloader waits in this state for a new firmware file that you can download by FTP.
5. Connect a PC to the SCALANCE W-700 over the Ethernet interface.
6. Assign an IP address to the SCALANCE W-700 with the Primary Setup Tool.
7. Open a DOS box and change to the directory where the file with the new firmware is located and then execute the command "ftp <ip address>".
As an alternative, you can use a different FTP client.
8. Enter "siemens" as both the login and password.
9. Load the new firmware with the command "put <firmware>".
10. Once the firmware has been transferred completely to the device, the device is restarted automatically.

6.2 Restoring the default parameter settings

Procedure

Follow the steps below to reset the device parameters to the factory settings:

NOTICE
When you reset the device parameters, all previously changed settings are lost!

1. Turn off the power to the device.
2. Now press the Reset button and reconnect the power to the device while holding down the button.
3. Hold down the button until the red fault LED (F) stops flashing after approximately 10 seconds and is permanently lit.
4. Now release the button and wait until the fault LED (F) goes off again.
5. The device then starts automatically with the default parameters.

Technical specifications

7.1 SCALANCE W786 technical specifications

Product versions

- SCALANCE W786-1PRO with one wireless interface and in the variants with two internal antennas or two external antenna connectors and with RJ-45 or FO connector
- SCALANCE W786-2PRO with two wireless interfaces and in the variants with four internal antennas or four external antenna connectors and with RJ-45 or FO connector
- SCALANCE W786-3PRO with three wireless interfaces and in the variants with six external antenna connectors and with RJ-45 or with FO connector

Data transfer

Ethernet transfer rate	10/100 Mbps
Wireless transmission rate	1 ... 54 Mbps (108 Mbps)
Wireless standards supported	802.11a 802.11b 802.11g 802.11h
Power supply standards supported	802.3af (Power over Ethernet)

Interfaces

Power	<ul style="list-style-type: none"> • 48 V DC supply via supplied connector • RJ-45 jack Power over Ethernet (48 V DC) • 2 x 12 - 24 V DC supplies with optional power supply adapter (available as accessory) • 110 - 230 V AC with optional power supply adapter (available as accessory) Power supply isolated according to IEEE 802.3af, isolation resistance > 2 Mohms.
-------	---

Technical specifications

7.1 SCALANCE W786 technical specifications

Data	<ul style="list-style-type: none">• RJ-45 jack for Ethernet or on devices for FO cable: 1 x 2 BFOC sockets• depending on version, up to six R-SMA antenna sockets
------	--

Electrical data

Power consumption depending on power supply	PoE	12.9 W
	48 V DC	12.9 W
	12 - 24 V DC (adapter)	15 W
	110 - 230 V AC (adapter)	15 W

Construction

Dimensions (W x H x D)	251 mm x 251 mm x 72 mm	
Weight (version with three IWLAN ports)	Without power supply adapter	2241 g
	With power supply adapter 12 - 24 V DC	2428 g
	With power supply adapter 110 - 230 V AC	2433 g

Permitted ambient conditions

Operating temperature	-40°C to 70°C
Transport/storage temperature	-40°C to 85°C
Degree of protection	Tested to IP65

MTBF information (mean time between failure)

MTBF	61 years
------	----------

Specifications and order numbers

Type	Number of WLAN ports	Number and type of Ethernet ports	Number of internal antennas	Number of R-SMA sockets for external antennas	Order No.
W786-1PRO	1	1 RJ-45	1 (diversity ⁽²⁾)	—	6GK5786-1BA60-2AA0 6GK5786-1BA60-2AB0 (1)
W786-1PRO	1	1 RJ-45	—	2	6GK5786-1AA60-2AA0 6GK5786-1AA60-2AB0 (1)
W786-1PRO	1	1 ST duplex multimode FO cable	1 (diversity ⁽²⁾)	—	6GK5786-1BB60-2AA0 6GK5786-1BB60-2AB0 (1)
W786-1PRO	1	1 ST duplex multimode FO cable	—	2	6GK5786-1AB60-2AA0 6GK5786-1AB60-2AB0 (1)
W786-2PRO	2	1 RJ-45	2 (diversity ⁽²⁾)	—	6GK5786-2BA60-2AA0 6GK5786-2BA60-2AB0 (1)
W786-2PRO	2	1 RJ-45	—	4	6GK5786-2AA60-2AA0 6GK5786-2AA60-2AB0 (1)
W786-2PRO	2	1 ST duplex multimode FO cable	2 (diversity ⁽²⁾)	—	6GK5786-2BB60-2AA0 6GK5786-2BB60-2AB0 (1)
W786-2PRO	2	1 ST duplex multimode FO cable	—	4	6GK5786-2AB60-2AA0 6GK5786-2AB60-2AB0 (1)
W786-3PRO	3	1 RJ-45	—	6	6GK5786-3AA60-2AA0 6GK5786-3AA60-2AB0 (1)

7.1 SCALANCE W786 technical specifications

Type	Number of WLAN ports	Number and type of Ethernet ports	Number of internal antennas	Number of R-SMA sockets for external antennas	Order No.
W786-3PRO	3	1 ST duplex multimode FO cable	—	6	6GK5786-3AB60-2AA0 6GK5786-3AB60-2AB0 (1)

(1) US variant

(2) There are two internal antennas per WLAN port. The antenna used is always the one that provides the best possible data transmission (diversity).

A

Appendix

A.1 Private MIB variables of the SCALANCE W78x / W74x

Downloading the MIB of the SCALANCE W-700 using the Internet Explorer

Using the URL
`http://<IP address>/snScalanceW.mib`
, you display the login window if you are not yet logged on. After you have logged on successfully, you can access the private MIB of the SCALANCE W-700. To save this on your PC, the source text view should be enabled.

OID

The private MIB variables of the SCALANCE W78x have the following object identifiers:

```
iso(1).org(3).dod(6).internet(1).private(4).  
  enterprises(1).ad(4196).adProductMibs(1).simaticNet(1).  
  iScalanceW(4)
```

Variables for access points and clients

The following table shows the private MIB variables available for access points and clients:

Name	OID	Description	Number of objects
snDownload	1.3.6.1.4.1.4196.1.1.4.100.1.5	Download information and control variables for image, configuration file, events table.	17
snNvLog	1.3.6.1.4.1.4196.1.1.4.100.1.6	Log for events.	8
snTrapInfo	1.3.6.1.4.1.4196.1.1.4.100.1.7	Information on traps.	6
snGen	1.3.6.1.4.1.4196.1.1.4.100.1.8	General information, not conforming with MIB-2.	23
snTcpip	1.3.6.1.4.1.4196.1.1.4.100.1.10	IP address, Subnet Mask, Default Gateway, DHCP Status...	5
snScalanceWCommon	1.3.6.1.4.1.4196.1.1.4.100.2.1	SCALANCE W-700 - specific settings.	24
snScalanceWFilter	1.3.6.1.4.1.4196.1.1.4.100.2.4	Protocol filters and storm threshold settings	18
snScalanceWStats	1.3.6.1.4.1.4196.1.1.4.100.2.5	Information on WLAN 1 and WLAN 2 interfaces.	62
snScalanceWDevices	1.3.6.1.4.1.4196.1.1.4.100.2.6	AP mode: List and information on all clients currently "associated" or connected. Client mode: List of devices with which the client is currently connected.	49

Name	OID	Description	Number of objects
snScalanceWScan	1.3.6.1.4.1.4196.1.1.4.100.2.7	Client mode: List of reachable WLANs and information whether the clients can connect to them.	11
snScalanceWAccess	1.3.6.1.4.1.4196.1.1.4.100.2.9	List of IP addresses that can access the management interface.	5

Variables available only for access points

Name	OID	Description	Number of objects
snScalanceWAcl	1.3.6.1.4.1.4196.1.1.4.100.2.8	Information and settings for the Access Control Lists.	9
snScalanceWVirtualAp	1.3.6.1.4.1.4196.1.1.4.100.2.10	Information on the currently configured virtual APs.	17

Traps for access points and clients

Name	Specific index	Variables	Description
snScalanceWPowerLineDown	32	snScalanceWChangedPowerLine - The power line where the last power down occurred. 1-M12, 2-Ethernet Power	This is generated if there is a power down on M12 or the Ethernet power connector.
snScalanceWPowerLineUp	32	snScalanceWChangedPowerLine - The power line where the last power up occurred. 1-M12, 2-Ethernet Power	This is generated if there is a power up on M12 or the Ethernet power connector.
snScalanceWFault	41	snScalanceWFaultValue - Fault value: 0 = no fault, bit 0 = power M12 is off, bit 1 = link down, bit 2 = internal error, bit 23 = Link Check error, bit 24 = IP Alive broken, bit 25 = power ethernet is off, bit 26 = Cold/warm start, bit 27 = C-PLUG error, bit 28 = iQoS error, bit 29 = Redundancy error"	This is generated if the snScalanceWFaultValue variable is changed. The bit is set to "1" according to the event that has occurred.
snScalanceWIQOS	51	snScalanceWIQOSValue - Description of the last snScalanceWIQOS trap	
snScalanceWLinkCheckOff	81	snScalanceWLinkCheckValue - Description of the last snScalanceWLinkCheckOff Trap	This is generated if a timeout occurs with a client monitored with Link Check.

Name	Specific index	Variables	Description
snScalanceWLinkIntegrityOn	82	snScalanceWLinkCheckValue - Description of the last snScalanceWLinkCheckOn trap	This is generated if a client monitored with Link Check logs on again at the AP following a timeout.
snScalanceWClientAuthenticated	85	SnScalanceWClientsIndex - An index of the client in the snScalanceWClients table	This is generated when a client logs on at the AP.
snScalanceWClientDeAuthenticated	86	SnScalanceWClientsIndex - An index of the client in the snScalanceWClients table	This is generated when a client logs off from the AP.
snScalanceWRedundancy	53	SnScalanceWRedundancyValue- Description of the last redundancy trap. SnScalanceWRedundancyState- Status of redundancy connection	This is generated if the status of the redundant connection changes, for example when the connection of wireless interface A aborts.

Traps available only for access points

Name	Specific index	Variables	Description
snScalanceWOverlapAP	101	snScalanceWOverlapAPValue - Description of the last OverlapAP trap.	Is generated when an access point is detected on the device's own or an overlapping wireless channel.
snScalanceWiPCFPNIOmaxSTAs	111	snScalanceWPNIOValue - Description of the last snScalanceWiPCFPNIOmaxSTAs or snScalanceWiPCFPNIOCycleTime trap	Is generated when there are too many clients registered for the specified update time in iPCF mode with PNIO support.
snScalanceWiPCFPNIOCycleTime	112	snScalanceWPNIOValue - Description of the last snScalanceWiPCFPNIOmaxSTAs or snScalanceWiPCFPNIOCycleTime trap	Is generated when the specified update time in iPCF mode with PNIO support cannot be kept to.
snScalanceWForcedRoamingVapStateChanged	121	snScalanceWVirtualApIndex - Index of the VAP snScalanceWVirtualApState - Current State of the VAP unknown (0) authenticated (1) associated (2) powersafe (3) adhoc (4) joined (5) vap-is-up (6) vap-starting (7) vap-is-down (8) locked (9) vap-connected (10)	Generated when the status of the VAP changes.

A.2 Designing and calculating wireless systems (for example RCoax)

Decibels as a logarithmic unit of measure

In wireless technology, most calculations are made in decibels (dB). Decibel means the logarithm of a ratio. Formulated mathematically, this can be shown by the following equation:

$$\text{Decibel value} = 10 * \log (\text{ratio})$$

Using sample calculations, the following decibel values are obtained:

Ratio	Decibel value
0,001	-30 dB
0,1	-10 dB
0,2	-7 dB
0,4	-4 dB
0,5	-3 dB
1	0 dB
2	3 dB
4	6 dB

As can be seen in the example, halving a value reduces the decibel value by 3 dB. This remains true regardless of the selected reference variable because only the ratio counts. Which reference variable is used can be recognized by the additional letters or numbers following the dimension dB. In acoustics, for example, the threshold of audibility is the reference variable for a value in dB(A).

Specifying power in dBm

A commonly used reference variable in wireless technology is a power of 1 mW. Power can then be specified in the decibel milliwatt unit (dBm). The following formula is used:

$$P [\text{dBm}] = 10 * \log (P [\text{mW}] / 1 \text{ mW})$$

This results in the following power specifications in dBm:

Power value	Decibel value
0.5 mW	≈ -3 dBm
1 mW	≈ 0 dBm
2 mW	≈ 3 dBm
4 mW	≈ 6 dBm
10 mW	≈ 10 dBm
100 mW	≈ 20 dBm
200 mW	≈ 23 dBm
1000 mW	≈ 30 dBm

Using power specifications, it is simple to calculate gain and attenuation. To calculate an entire system, the individual values for gain and attenuation must simply be added.

Transmit power in dBm

The information in the following tables applies to the following SIMATIC NET products:

- Access Point SCALANCE W786-1PRO
- Access Point SCALANCE W786-2PRO
- Access Point SCALANCE W786-3PRO

Table A-1 Transmit power in IEEE 802.11b mode (2.4 GHz)

Data rate [Mbps]	P ₀ [dBm]
1	20
2	20
5,5	20
11	20

Table A-2 Transmit power in IEEE 802.11g mode (2.4 GHz)

Data rate [Mbps]	P ₀ [dBm]
6	20
9	20
12	20
18	20
24	20
36	20
48	20
54	19

Table A-3 Transmit power in IEEE 802.11a/h mode (5 GHz)

Data rate [Mbps]	P ₀ [dBm]
6	20
9	20
12	20
18	20
24	20
36	20
48	20
54	19

Specifying power in dBi

If power is specified in dBi, the reference variable is the transmit power of an isotropic antenna or unipole. Such a (hypothetical) antenna radiates energy from a central point uniformly in all directions.

From the directional radiation of a real antenna, a dBi value is obtained known as the antenna gain. This term is misleading in as far as no energy is gained by an antenna in the physical sense. The higher radiation of a passive antenna results solely from the concentration of radiation in a certain direction. In other spatial segments, there is accordingly less power.

Losses due to longitudinal attenuation

The longitudinal attenuation of the leaky feeder cable depends on its length and is calculated according to the following formula:

$$a_{rc} = \alpha_{rc} * l$$

a_{rc} Longitudinal attenuation of the cable in dB

α_{rc} Attenuation coefficient in dB/m as specified in the technical specifications of the cable:

RCoax Cable 0.17 dB/m at 2.4 GHz

connecting cable: 0.55 dB/m at 2.4 GHz

l Total length of the cable in m

Losses due to coupling loss

Coupling loss a_{cd} includes the losses at the transition from the cable to the surrounding space. The coupling loss depends on the construction of the cable and its physical properties. Values for coupling loss are therefore specified for the particular cable in the technical specifications.

Losses due to spatial attenuation

Spatial attenuation a_{fr} specifies the attenuation between the RCoax cable and the communications partner. The decisive factor here is therefore the distance between the RCoax cable and communication partner. The following formula is used:

$$a_{fr} = 20 * \log(4\pi d / \lambda)$$

a_{fr} Spatial attenuation in dB.

d Distance between cable and antenna in m.

λ Wavelength of the electromagnetic oscillation in m; at a frequency of 2.4 GHz, the wavelength is 0.125 m.

Note

The formula is valid only for the 2.4 GHz RCoax cable.

IEC 61196-4

Values for coupling losses according to IEC 61196-4 already include spatial attenuation of 2 m. To calculate the actual coupling loss, a spatial attenuation for the distance of 2 m must be deducted from this value. The coupling loss for a specified distance between the RCoax cable and the antenna of the communication partner is therefore calculated according to the following formula:

$$C_d = C_{95} - 20 * \log(4\pi * 2m / \lambda) + 20 * \log(4\pi d / \lambda)$$

C_d Coupling loss of the cable in dB for a specified distance between cable and antenna.

C_{95} value of the coupling loss (specified in the data sheet of the cable)

λ Wavelength of the electromagnetic oscillation in m; at a frequency of 2.4 GHz, the wavelength is 0.125 m.

d Distance between cable and antenna in m.

For a frequency of 2.4 GHz, you can also calculate with the following equation in which you must specify the distance d in meters:

$$C_{d \text{ 2.4 GHz}} = C_{95} - 46 \text{ dB} + 20 * \log(100 * d)$$

For a SIEMENS SIMATIC NET IWLAN RCoax Cable PE 1/2" 2.4 GHz ($C_{95} = 69 \text{ dB}$ at 2.4 GHz), for example, this results in the following coupling losses:

Distance	Coupling loss
1 m	63 dB
2 m	69 dB
5 m	77 dB
10 m	83 dB
100 m	103 dB

Note

The formula is valid only for the 2.4 GHz RCoax cable.

Losses due to power splitters

Normally, when a double power splitter is used (one input, two outputs, for example, RCoax N-Connect Female Power Splitter 2-Way) a loss of **3 dB** must be taken into account.

Receiver sensitivity

The receiver sensitivity is the minimum power that must be fed to a receiver to allow communication to take place. The receiver sensitivity is a device-specific property and depends on the transmission technique and data rate. The information in the following tables applies to the following SIMATIC NET products:

- Access Point SCALANCE W786-1PRO

- Access Point SCALANCE W786-2PRO
- Access Point SCALANCE W786-3PRO

Table A-4 Receiver sensitivity in IEEE 802.11b mode (2.4 GHz)

Data rate [Mbps]	P _e [dBm]
1	-97
2	-93
5,5	-92
11	-88

Table A-5 Receiver sensitivity in IEEE 802.11g mode (2.4 GHz)

Data rate [Mbps]	P _e [dBm]
6	-91
9	-90
12	-89
18	-87
24	-84
36	-80
48	-76
54	-74

Table A-6 Receiver sensitivity in IEEE 802.11a/h mode (5 GHz)

Data rate [Mbps]	P _e [dBm]
6	-91
9	-90
12	-90
18	-88
24	-85
36	-82
48	-76
54	-72
72 [*]	-76
96 [*]	-71
108 [*]	-68

[*] Turbo mode

System calculation based on the example of RCoax

The calculation of the entire system shows whether communication is possible at the desired transmission rate using the desired components. All losses (longitudinal attenuation, spatial attenuation, power splitters etc.) are deducted from the transmit power. An antenna gain is added. The result is the power fed to a receiver. This power must be higher than the receiver sensitivity. The calculation can be made with the following formula:

$$P_e = P_0 - a_{rc} - c_d - a_{ps} + G_{ANT} - \Delta_{rc} - \Delta_{fr} > P_{e \min}$$

P_e Receiver input power in dBm

P_0 Transmit power in dBm

a_{rc} Longitudinal attenuation of the RCoax cable and the feeder in dB

c_d Coupling loss for the distance between RCoax cable and communication partner

a_{ps} Power splitter losses in dB

G_{ANT} Antenna gain in dB

Δ_{rc} Correction value for the longitudinal attenuation in dB. Depending on the concrete operating conditions, between 5 and 15 dB.

Δ_{fr} Correction value for the spatial attenuation in dB. Depending on the concrete operating conditions, between 0 and 20 dB.

$P_{e \min}$ Receiver sensitivity in dBm

Glossary

Access Point

A **(Wireless) Access Point (WAP)** is an electronic device that functions as the interface between a mobile wireless network and a wired computer network. End devices (clients) establish a wireless connection to the wireless access point over a wireless adapter. The access point is connected to a permanently installed communication network over a cable.

ACL

Access Control List. List with MAC addresses with the right to access the mobile wireless network.

Ad hoc network

Mobile wireless network between individual devices (point-to-point).

AES

Advanced Encryption Standard, Encryption according to the Rijndael algorithm.

ARP

Address Resolution Protocol

The ARP protocol is used for address resolution. Its task is to find the corresponding network hardware address (MAC address) for a given protocol address.

An ARP protocol implementation is often found on hosts on which the Internet protocol family is used. IP forms a virtual network on the basis of IP addresses. These must be mapped to the given hardware addresses when the data is transported. To achieve this mapping, the ARP protocol is often used.

Bandwidth

Maximum throughput of a connecting cable (normally specified in bps).

Broadcast

A broadcast is like "calling all all stations": Broadcast packets are received by all nodes configured to receive broadcasts.

Broadcast address

A broadcast in a computer network is a message with which data packets are sent by one node to all other nodes of a network. If a message is intended for all nodes in a network, a broadcast address is used as the destination address.

DFS

Dynamic Frequency Selection. With the Dynamic Frequency Selection function, that is also part of the 802.11h expansion, an automatic channel change is possible if another user or technical device is discovered on a channel during operation. This includes, for example, radar systems that also transfer data in the 5 GHz frequency band. Before a channel is used, it is checked to make sure that no other system is already using the channel or frequency range. If another user is discovered, data transmission on the channel is stopped and the device changes to a free channel.

This is intended to avoid influence by WLAN systems operating according to 802.11a in the 5 GHz band.

DHCP

Dynamic Host Configuration Protocol

ESS

Extended Service Set. ESS is a link between two or more cells of a WLAN (BSS - Basic Service Set) and a larger mobile wireless network.

Firewall

One or more devices that allow or prevent data access to interconnected networks according to given security restrictions.

Handover

A handover is the procedure in a mobile wireless network (for example a mobile wireless network complying with IEEE 802.11) during which the mobile client changes from one cell to another or from one channel to another while a data connection exists.

HTTPS

HyperText Transfer Protocol Secure

Protocol for the encryption and authentication of communication between Web server and Web browser in the World Wide Web.

HTTPS is an expansion of HTTP for secure transmission of confidential data with the aid of SSL.

IEEE

Institute of **E**lectrical and **E**lectronics **E**ngineers

IEEE 802.11

Standard for mobile wireless networks in the 2.4 GHz range with transmission rates of up to 2 Mbps.

IEEE 802.11a

Standard for mobile wireless networks in the 5 GHz range with transmission rates of up to 54 Mbps.

IEEE 802.11b

Standard for mobile wireless networks in the 2.4 GHz range with transmission rates of up to 11 Mbps.

IEEE 802.11e

Enhancement of the wireless LAN standard to support Quality of Service (QoS).

IEEE 802.11g

Standard for mobile wireless networks in the 2.4 GHz range with transmission rates of up to 54 Mbps.

IEEE 802.11h

The IEEE 802.11a standard expanded by TPC and DFS.

IEEE 802.11i

Among other things, the standard describes the WPA2 method, the TKIP procedure and the AES encryption algorithm. IEEE 802.11i removes a series of weak points in the WEP security mechanism.

IEEE 802.1x

The heart of the standard is the use of a Radius server as the authentication server. In addition to this, in IEEE 802.1x, the entire communication is encrypted.

Industrial Ethernet

A bus system complying with IEEE 802.3 (ISO 8802-2)

IP address

The IP address consists of 4 bytes. Each byte is represented in decimal, with a dot separating it from the previous one. This results in the following structure, where XXX represents a number between 0 and 255 (dotted decimal notation): XXX.XXX.XXX.XXX

The IP address is made up of two parts, the network ID and the host ID. This allows different subnets to be created. Depending on the bytes of the IP address used as the network ID and those used for the host ID, the IP address can be assigned to a specific address class:

Address Class	Address class identifier	Network address and node address
O	Byte 1 (possible value 1 - 126) (Byte 1 is the byte furthest left.)	Byte 2 to byte 4 Possible value in each case 0 - 255. 0.0.0 must not be assigned, 255.255.255 is the broadcast address.
B	Byte 1 (possible value 128 - 191) Byte 2 (possible value 0 - 255)	Byte 3 and byte 4 Possible value in each case 0 - 255. 0.0 must not be assigned, 255,255 is the broadcast address.
C	Byte 1 (possible value 192 - 223) Bytes 2 and 3 (possible value in each case 0 - 255)	Byte 4 Possible value 1 - 254. 0 must not be assigned, 255 is the broadcast address.
D	Byte 1 (possible value 224 - 239) multicast addresses	Byte 2 to byte 4 Possible value in each case 0 - 255 0.0.0 must not be assigned. There are several multicast addresses with a special meaning, for example 224.0.0.1 All systems of the subnet 224.0.0.2 All routers of the subnet

IPCF

The industrial **P**oint **C**oordination **F**unction is a communications protocol with which data traffic between the access point and connected stations is controlled to avoid collisions. Using IPCF, the data throughput can be optimized even with a high number of nodes. IPCF also allows fast cell changes.

PST

Primary Setup Tool

QoS

Quality of Service (QoS) is a general term that indicates the correct functionality of all interactive components of a telecommunications network. Depending on the communications standard (for example IP), error parameters are detected and recorded with which the operation of the technology is continuously monitored and that form the basis for any

necessary maintenance. In a general sense, QoS means the quality characteristics of a network as a whole from the perspective of the user of a particular service.

RADIUS

Remote Authentication Dial In User Service. A method in which the authentication is handled on a separate server.

Roaming

Free movement of wireless LAN nodes even beyond the boundaries of an access point's cell. The nodes and can move from one cell to the next without any noticeable interruption.

Server

A server is a device or generally an object that can provide certain services at the request of a client.

Services

Services provided by a communication protocol.

SINEMA E

The planning, simulation and configuration software SINEMA E is used to plan and configure IWLAN applications. It can be used to visualize IWLAN networks, for example according to coverage, data transfer rate, signal/noise ratio and overlapping taking into account environmental and device characteristics.

SNMP

Simple Network Management Protocol. Standardized protocol for exchange of network management information.

SSID

The **Service Set Identifier (SSID)** is used to identify a mobile wireless network based on IEEE 802.11.

Subnet mask

The subnet mask specifies which parts of an IP address are assigned to the network number. The bits in the IP address whose corresponding bits in the subnet mask have the value 1 are assigned to the network number.

System

All the electrical equipment within a system. A system includes, among other things: Programmable logic controllers, devices for operator control and monitoring, bus systems, field devices, drives, power supply cabling.

TCP/IP

TCP = Transport Connection Protocol; IP = Internet Protocol

TKIP

Temporal Key Integrity Protocol. Scheme for cyclic changing of keys in WLANs.

TPC

The Transmit-Power Control function (TPC) introduced as a supplementary function by the 802.11h enhancement for 5 GHz components allows an automatic adaptation of the transmit power. Information on the attenuation values and the expected budget reserves in received power are taken into account. TPC is also intended to make sure that the maximum permitted transmit power of a channel specified by the relevant regulatory bodies is not exceeded by the component. TPC attempts to operate with the minimum transmit power between the communicating stations or between access point and station.

WBM

Web Based Management. HTTP-based configuration method in which an HTTP server is used in the relevant device.

WDS

Wireless Distribution System. Radio links for connecting the access points for an extended service set (ESS)

WEP

Wired Equivalence Privacy is an optional part of the IEEE 802.11 standard. WEP specifies methods of authentication and encryption working with fixed keys stored on the device. All devices that want to access a network in which WEP is used must first be supplied with the same keys. The keys can also only be renewed manually.

Wi-Fi

Wireless Fidelity. Specification for wireless networks.

The Wi-Fi Alliance is a group of WLAN manufacturers that tests and certifies the interoperability of WLAN products. Wi-Fi is a certification of WLANs according to 802.11b and is performed by WECA, the WiFi parent organization. This certification confirms the interoperability of WLAN products operating in compliance to the 802.11b standard.

The Wi-Fi Alliance also develops standards. The WiFi Alliance has developed its own architectures for security procedures that have not yet been standardized such as the WiFi

Protected Architecture (WPA) to be able to test the compatibility of the various manufacturers' products.

For real-time transmission, the Wi-Fi Alliance has specified Wi-Fi Multimedia (WMM) for transmissions with guaranteed quality of service (QoS).

WPA

Wi-Fi Protected Access is a method specified by the die Wi-Fi alliance to close the security gaps in WEP. Authentication using a server is stipulated (802.1x). The dynamic exchange of keys at each frame introduces further security. Users can choose between TKIP (Temporal Key Integrity Protocol) and AES (Advanced Encryption Standard).

Although WPA was never officially part of the IEEE 802.11 standards family, it has become very widespread in a very short time. This, however, applies only to the WPA procedure described above using TKIP. The optional possible implementation of WPA on the basis of AES, on the other hand, did not become established and is therefore irrelevant in everyday practice. AES only took on practical value only with the development of the later WPA2 standard.

WPA-PSK

WPA-PSK is a weakened form of WPA. In this method, authentication is not established by a server but is based on a password. This password must be configured manually on the client and server. Wherever possible, you should change to the WPA method to achieve greater security.

Index

A

ACL, 128
Ad hoc networks, 14
Adopt MAC Address, 76
Antenna Gain, 117
Antennas, 117
ARP table, 139
Authentication, 89, 123

B

Bandwidth reservation, 62, 152
Basic Wizard, 70
Beacons, 116
Bridge priority, 61

C

CLI commands
 Shortcuts for commands, 173
 Symbolic representation, 173
CostCost, 143
C-PLUG, 26, 108

D

DHCP server, 100

E

Earthing, 46
E-mail, 103
Encryption, 124

F

FAULT, 185
Fault State, 106
Forward Delay, 142

H

Hello time, 142
Help function, 97
HTTPS, 69

I

IEEE 802.11, 20
IEEE 802.11a, 20
IEEE 802.11b, 20
IEEE 802.11g, 20, 120
IP address, 72
IP, TCP/IP, ICMP, SNMP, 166
iPCF Wizard, 70

L

Learning Table, 139
LED simulation, 98
Lightning protection, 45
Link Check, 154
Load & Save, 106
Locale setting, 174

M

MAC filter, 151
Max Age, 142
Mode and locale setting, 98
Multichannel configuration, 16

N

NAPT, 147
NAT, 146
NEW, 97

O

Overlap AP, 163

P

Password
 Character set, 82
PRESET PLUG, 221
Priority, 143
Protocol filter, 151

R

RADIUS, 94
Receiver sensitivity, 237
Redundant connection, 62
Refresh, 97
Reset Statistics, 97
RFC
 RFC 1518, 65
 RFC 1519, 65
Root bridge, 61
RTS/CTS, 116, 118

S

Safety extra low voltage, 46
Save
 Device data, 106
Security settings, 85

Security Wizard, 70
Set Values, 97
SNTP, 106, 184
Spanning Tree, 140
Spanning tree port parameters, 142
SSID, 86
Standalone configuration, 13
Storm threshold, 146
Subnet mask, 65

T

Transmit power, 115
TTL, 100

W

WDS, 131
Web Based Management, 68
Wireless access, 15
Wizards, 68
WPA, 125
WPA2, 92