



Sierra Wireless AirCard USB Modem

User Guide



SIERRA
WIRELESS

2131232
Rev. 11

Important Notice

Due to the nature of wireless communications, transmission and reception of data can never be guaranteed. Data may be delayed, corrupted (i.e., have errors) or be totally lost. Although significant delays or losses of data are rare when wireless devices such as the Sierra Wireless modem are used in a normal manner with a well-constructed network, the Sierra Wireless modem should not be used in situations where failure to transmit or receive data could result in damage of any kind to the user or any other party, including but not limited to personal injury, death, or loss of property. Sierra Wireless accepts no responsibility for damages of any kind resulting from delays or errors in data transmitted or received using the Sierra Wireless modem, or for failure of the Sierra Wireless modem to transmit or receive such data.

Safety and Hazards

Do not operate the Sierra Wireless modem in areas where blasting is in progress, where explosive atmospheres may be present, near medical equipment, near life support equipment, or any equipment that may be susceptible to any form of radio interference. In such areas, the Sierra Wireless modem **MUST BE POWERED OFF**. The Sierra Wireless modem can transmit signals that could interfere with this equipment.

Do not operate the Sierra Wireless modem in any aircraft, whether the aircraft is on the ground or in flight. In aircraft, the Sierra Wireless modem **MUST BE POWERED OFF**. When operating, the Sierra Wireless modem can transmit signals that could interfere with various onboard systems.

Note: Some airlines may permit the use of cellular phones while the aircraft is on the ground and the door is open. Sierra Wireless modems may be used at this time.

The driver or operator of any vehicle should not operate the Sierra Wireless modem while in control of a vehicle. Doing so will detract from the driver or operator's control and operation of that vehicle. In some states and provinces, operating such communications devices while in control of a vehicle is an offence.

Limitation of Liability

The information in this manual is subject to change without notice and does not represent a commitment on the part of Sierra Wireless. SIERRA WIRELESS AND ITS AFFILIATES SPECIFICALLY DISCLAIM LIABILITY FOR ANY AND ALL DIRECT, INDIRECT, SPECIAL, GENERAL, INCIDENTAL, CONSEQUENTIAL, PUNITIVE OR EXEMPLARY DAMAGES INCLUDING, BUT NOT LIMITED TO, LOSS OF PROFITS OR REVENUE OR ANTICIPATED PROFITS OR REVENUE ARISING OUT OF THE USE OR INABILITY TO USE ANY SIERRA WIRELESS PRODUCT, EVEN IF SIERRA WIRELESS AND/OR ITS AFFILIATES HAS BEEN ADVISED OF THE POSSIBILITY OF SUCH DAMAGES OR THEY ARE FORESEEABLE OR FOR CLAIMS BY ANY THIRD PARTY.

Notwithstanding the foregoing, in no event shall Sierra Wireless and/or its affiliates aggregate liability arising under or in connection with the Sierra Wireless product, regardless of the number of events, occurrences, or claims giving rise to liability, be in excess of the price paid by the purchaser for the Sierra Wireless product.

Patents

This product may contain technology developed by or for Sierra Wireless, Inc. This product includes technology licensed from QUALCOMM®. This product is manufactured or sold by Sierra Wireless Inc. or its affiliates under one or more patents licensed from InterDigital Group.

Copyright

© 2012 Sierra Wireless. All rights reserved.

Trademarks

AirCard® and Watcher® are registered trademarks of Sierra Wireless. Sierra Wireless™, the Sierra Wireless logo, and the red wave design are trademarks of Sierra Wireless.

Windows® and Windows Vista® are registered trademarks of Microsoft Corporation.

Macintosh® and Mac OS® are registered trademarks of Apple Inc., registered in the U.S. and other countries.

QUALCOMM® is a registered trademark of QUALCOMM Incorporated. Used under license.

Other trademarks are the property of their respective owners.

Contact Information

Sales Desk:	Phone:	1-604-232-1488
	Hours:	8:00 AM to 5:00 PM Pacific Time
	E-mail:	sales@sierrawireless.com
Post:	Sierra Wireless 13811 Wireless Way Richmond, BC Canada V6V 3A4	
Fax:	1-604-231-1109	
Web:	www.sierrawireless.com	

Consult our web site for up-to-date product descriptions, documentation, application notes, firmware upgrades, troubleshooting tips, and press releases:

www.sierrawireless.com



Contents

Sierra Wireless AirCard USB Modem User Guide	5
About the AirCard USB Modem	5
Your account and coverage area	5
AirCard USB Modem features	6
LED operation	8
LCD operation	8
Connection management software	9
Launching Watcher (Windows)	10
Launching Watcher (Mac)	10
Reinstalling the software	11
Connecting to the network	11
Windows	11
Mac	12
Using the microSD card	12
End- and side-loading models	13
Back-loading models	15
Removing the SIM card	16
Using AirCard USB Modem accessories	17
Using the extension cable and clip	17
Attaching the lanyard	19
Care and maintenance	20
Troubleshooting	20
Software installation does not start automatically (Windows) or you do not see the installer package (Mac)	20
Modem is not detected after AirCard Watcher installation completes (Windows)	21
Windows installer fails	21
Technical specifications	22
Radio frequency and electrical specifications	22
Frequency band support	22
Environmental specifications	23

Regulatory and safety information	24
Notice	24
Safety and hazards	24
Regulatory information for North America	25
Regulatory information for EU countries	26
Regulatory information for Australia	27
Index	29



Sierra Wireless AirCard USB Modem User Guide

About the AirCard USB Modem

The Sierra Wireless AirCard[®] USB Modem enables you to connect to the Internet, send and receive email, connect to a corporate network or virtual private network (VPN), or view streaming video without the need for a network cable.

The AirCard USB Modem connects to a Type A USB port on your computer.

If the AirCard USB Modem is TRU-Install enabled, all the required software is available on the modem. When you set up your AirCard USB Modem, the software is installed on your computer. You do not need an installation CD. (Depending on your service provider, your modem may include an installation CD.)

The AirCard USB Modem has a built-in antenna and may have a slot that accommodates a microSD[™] external memory card. Depending on your service provider, a microSD card may be included in your package, or you may need to purchase it separately.

Depending on the model and your service provider, your modem may support GPS.

Your account and coverage area

Note: If you purchased the modem from a service provider, you may already have an account and a SIM card. Otherwise, your retailer should be able to give you the names of companies that provide these items.

You must have an account with a service provider to use the AirCard USB Modem. To use the AirCard USB Modem's 3G or LTE capability, your account must be with a service provider that offers 3G or LTE service. (The AirCard USB Modem may be backwards compatible with 2G service—support is SKU-dependent.)

When you obtain your account, you are given a Subscriber Identity Module (SIM) card containing account information. You must insert the SIM card into the AirCard USB Modem before you use it. (Depending on your service provider, the SIM card may already be inserted.)

Note: The fee for service is usually higher when you are roaming (connected to a network other than the one belonging to your service provider).

When establishing a connection, your AirCard USB Modem uses the fastest available service. Your ability to obtain service depends on these factors:

- **Network coverage**—You must be within the network coverage area.
- **Service provider**—If you are within the coverage area of a network that is not operated by your own service provider, you can obtain service only if there is a roaming agreement between your service provider and the network operator.
- **Account provisions**—Your account may restrict your usage to certain networks or limit the amount of time you can use the network.
- **Frequency band**—You cannot connect to networks operating in bands not supported by your modem, regardless of roaming agreements or account provisions.

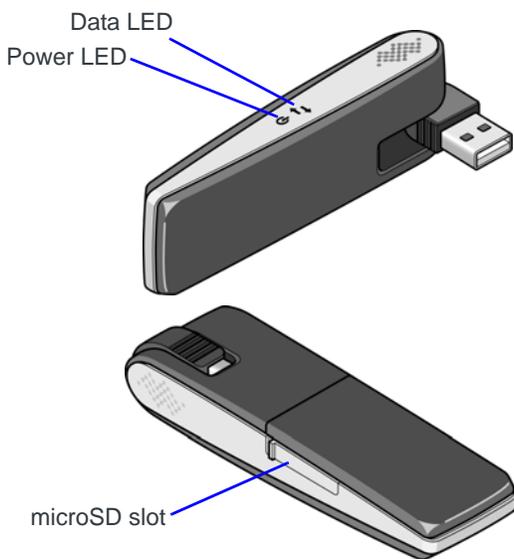
Most service providers have coverage maps on their web sites.

AirCard USB Modem features

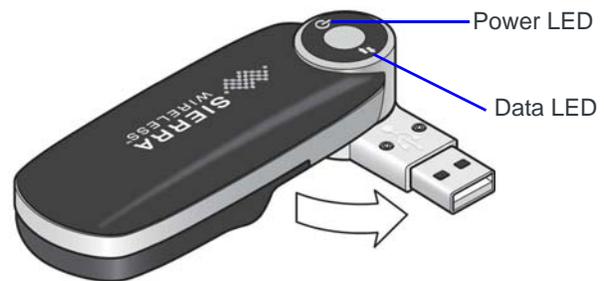
The AirCard USB Modem has the following features:

- USB connector
- SIM card slot
- On some models, a microSD external storage card
- Status information—Depending on the model, status information is shown using either:
 - LEDs on the front or side of the modem
 - LCD on the front of the modem

The placement of card slots, connectors, LEDs, and LCDs varies depending on your modem model.



SIM card slot is under the back cover. See [page 16](#) for details.



microSD and SIM card slots are under the back cover. See [page 16](#) for details.



microSD card and SIM card slots are under the back cover. See [page 15](#) for details.



microSD card and SIM card slots are under the back cover. See [page 15](#) for details.



LED operation

Depending on the model, the AirCard USB Modem may have two LEDs that show the current status of the modem.

Table 1: LED status indicators

LED	State	Indicates
Power 	Off	Indicates one of the following states: <ul style="list-style-type: none"> The AirCard USB Modem is not inserted in the computer. The computer is off or in “suspend and resume” mode. The AirCard USB Modem radio has been turned off using Watcher or other connection management software.
	Solid Blue	The power is on, the AirCard USB Modem is working normally.
	Blinking Blue	The firmware is being updated. Do not remove the AirCard USB Modem from the computer.
	Blinking Amber	The AirCard USB Modem is searching for service (initializing).
	Solid Amber	Error—Either the AirCard USB Modem is having a problem initializing (searching for service) or is offline because of a failure. Contact your service provider.
Data 	Off	The modem is unable to detect 2G or 3G service.
	Blinking Amber	The modem has detected a 2G network (EDGE, GPRS, GSM) and is ready to connect.
	Solid Amber	The modem is connected to a 2G network and is able to send and receive data.
	Blinking Blue	The modem has detected a 3G network (UMTS, HSPA, HSPA+, DC-HSPA+) and is ready to connect.
	Solid Blue	The AirCard USB Modem is connected to a 3G network and can send and receive data.
	Blinking Green	The modem has detected an LTE network and is ready to connect.
	Solid Green	The modem is connected to an LTE network and is able to send and receive data.

LCD operation

Some AirCard USB Modems have an LCD (instead of LEDs) that shows the current status of the modem.

The LCD may display (depending on service provider and model):

- Messages while connecting to a network (“Searching for network...”, “Connected to operator”, etc.)
- Operational status icons/text—See [Table 2](#) on page 9.
- Alerts (“No SIM installed”, “Data roaming is disabled”, “Data Limit Alert”, connection error messages, etc.)

Table 2: LCD status indicators/messages

Indicator ^a	Description
Network strength 	Network signal strength (more bars indicate stronger connection)
Network technology 	The network type (EDGE, 3G, 4G, 4G LTE, etc.) to which the modem is connected. Depending on service provider and model, the icon may also show network traffic (send/receive/both).
Network traffic 	Data is being sent (solid up arrow), received (solid down arrow), sent and received concurrently (solid up and down arrows), or modem is not sending or receiving (no solid arrows) Depending on service provider and model, network data transfer may be shown as part of the network technology icon.
Network name	Name of the network to which the modem is connected.
Roaming 	The modem is roaming (connected to a different network than its home network).
GPS 	The modem is performing a GPS location fix.
Alerts 	Unread system alerts (SIM issues, service notices, etc.)
Data usage  or Session usage 	Data usage for the current billing cycle is shown when the modem is connected to a billing server: <ul style="list-style-type: none"> • Text—Indicates either data remaining or data used in current billing cycle, dependent on service provider and model. • Progress bar Data usage for the current session is shown if selected by the user, or when not connected to a billing server: <ul style="list-style-type: none"> • Total data usage for the current session (upload and download combined) • Session duration

a. Icon appearance and availability will vary depending on service provider and model. Refer to the modem's Quick Start Guide for additional examples.

Connection management software

Your AirCard USB Modem comes with Sierra Wireless AirCard Watcher[®] for Windows[®] and Mac[®], or other connection management software, depending on your service provider. Use this software to manage the modem and monitor your connections.

For information on Watcher features and using Watcher, refer to the online Help.

1. From the main Watcher window, select:
 - **Help > Help Topics** or click the  button (Windows)
 - **Help > Sierra Wireless Watcher Help** (Mac)

Note: Watcher is compatible with earlier Sierra Wireless modems.

Watcher enables you to:

- Initiate data connections
- Determine signal strength, roaming status, GPRS, EDGE, UMTS, or HSDPA/HSUPA availability, and other network connection parameters
- Monitor the status of the AirCard USB Modem and GSM service
- Send and receive SMS messages
- Enable or disable SIM security that prevents others from using your SIM card if it is lost or stolen
- Configure startup and exit actions for Watcher and the AirCard USB Modem
- Create or modify a connection profile

For more information about using Watcher, view the Online Help that comes with Watcher.

You do not need to run Watcher when you use the AirCard USB Modem, but Watcher does provide useful status information.

Launching Watcher (Windows)

Unless this feature has been disabled, Watcher launches automatically when you insert the AirCard USB Modem. You can also launch Watcher by:

- Double-clicking the desktop shortcut, or
- Selecting **Start > Programs > Sierra Wireless > AirCard Watcher**.

Depending on how your profile is configured, your browser, VPN, or other program may launch automatically anytime you launch Watcher.

Launching Watcher (Mac)

Watcher starts automatically at login. To disable this feature, go to **Watcher > Preferences**.

You can also start Watcher by navigating to the **Applications > Sierra Wireless** folder and double-clicking **AirCard Watcher**.

Tips

To keep the Watcher icon in the dock:

1. Launch Watcher.
2. Click and hold the Watcher icon in the dock.
3. From the pop-up menu, select **Keep in Dock**.

Reinstalling the software

Windows

If you need to reinstall or repair the Watcher software:

1. Go to **Start > Control Panel > Add or Remove Programs**.
2. Uninstall Watcher.
3. Insert the modem into your computer.
4. Follow the on-screen instructions.

Or, in Watcher:

1. Select **Tools > Software Installation Mode**.
2. Follow the on-screen instructions.

Note: Do not remove the AirCard USB Modem until the software installation process is complete.

Mac

To uninstall Watcher:

1. Select **AirCard Watcher > Uninstall AirCard Watcher**.
2. Follow the on-screen instructions.

Connecting to the network

To use your account (and connect to your service provider's network), you need to have at least one profile set up on your AirCard USB Modem. Depending on how your AirCard USB Modem is configured, the profile may already be set up or you may need to create one.

Note: If you have a pre-paid wireless account, you'll need to have credit in your account before you can connect.

Windows

Once the software is successfully installed and the profile is set up, the AirCard USB Modem is ready to use.

The first time you insert the AirCard USB Modem in the computer, it takes a few seconds for it to locate the network. While the AirCard USB Modem is scanning for a network, the Connect button is unavailable.

When you use the AirCard USB Modem with the same computer, TRU-Install verifies that the correct software is already installed. This process may take a few seconds.

Scenario	Required action
Watcher automatically detects or creates a default profile.	Click Connect .
Watcher prompts you to create a data profile.	1. Click Yes , then....
<ul style="list-style-type: none"> If Watcher opens the Options window Profile pane and pre-selects an appropriate profile (normally the name of your service provider) from the drop-down list... 	<ul style="list-style-type: none"> a. Click OK to accept that profile (or choose another from the drop-down list). b. Click Connect.
<ul style="list-style-type: none"> If Watcher opens the Options window Profile pane, the Profile name field is blank, and your service provider is not included in the drop-down list... 	<p>You need to create a profile manually. Refer to the Watcher online help for details.</p> <p>1. Click Help > Help topics or click the  button.</p>

To end a high-speed connection, click **Disconnect**.

If you need to re-install the software, see [page 11](#).

Mac

The first time you run Watcher:

- 1.** When your computer detects the modem, the message "New network interfaces have been detected" appears.
- 2.** Click the **Network Preferences...** button.
- 3.** In the Network window, click **Apply**. Your modem connects to the network.
 - a.** If there is no profile defined, a message opens asking if you want to create a new profile.
 - b.** Click **Create a new profile**.
 - c.** In the **Profiles** window, click **+** to create a profile.

To end a high-speed connection, click **Disconnect**.

Using the microSD card

Some AirCard USB Modem models can accommodate a microSD external storage card.

The microSD card appears as a USB memory drive when the AirCard USB Modem is inserted in your computer. You can copy, paste, and drag files to and from it the same way as you can with any other external drive.

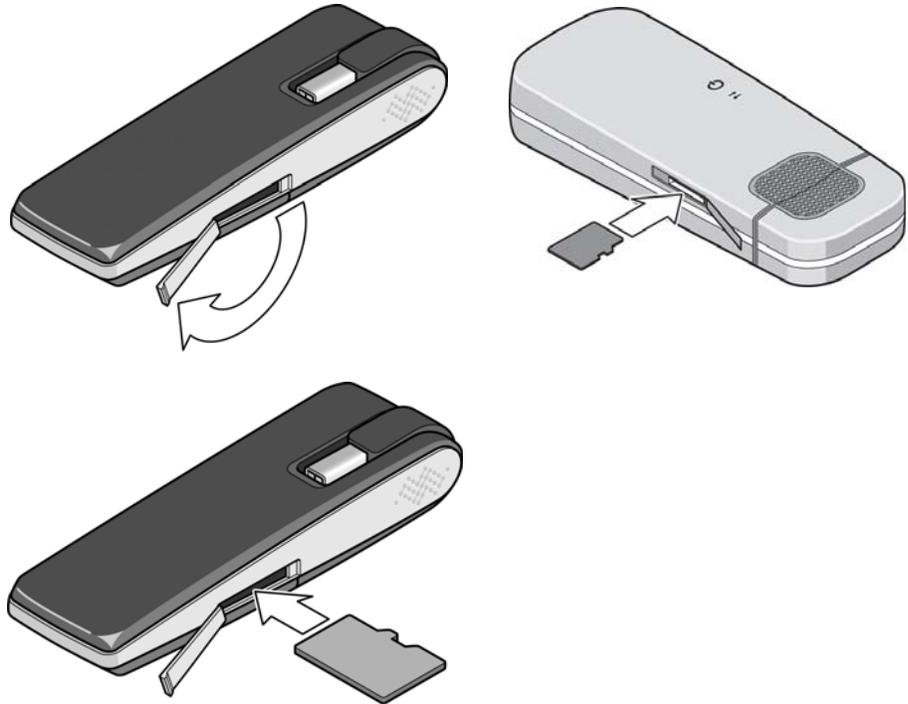
End- and side-loading models

To insert and use a microSD card:

1. If there is a non-functional microSD card installed:

- a. Press it in and then release it.
- b. Gently remove the non-functional microSD card.

If the microSD card slot is on the side of the AirCard USB Modem, insert the microSD card as shown in the illustration:

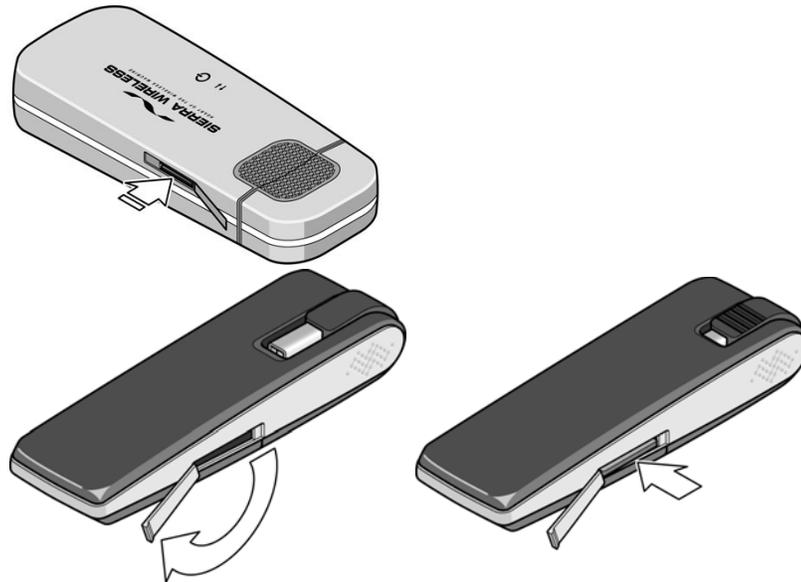


2. Insert the AirCard USB Modem into the computer.

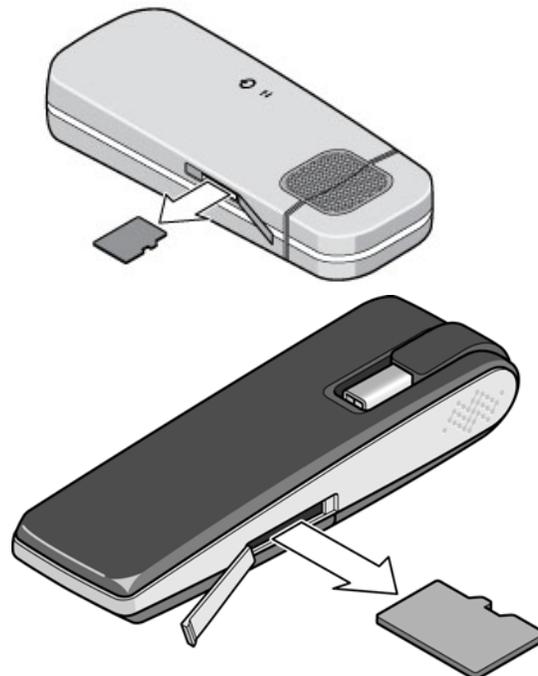
If the computer does not have Watcher installed, you may be given the option to install it. If you do not want to install Watcher, cancel the installation. You can use the microSD card without having Watcher installed.

To remove the microSD card:

1. Remove the cap.
-or-
If the microSD card slot is on the side of the AirCard USB Modem, open the flap.
2. Push the microSD card in and then release it.



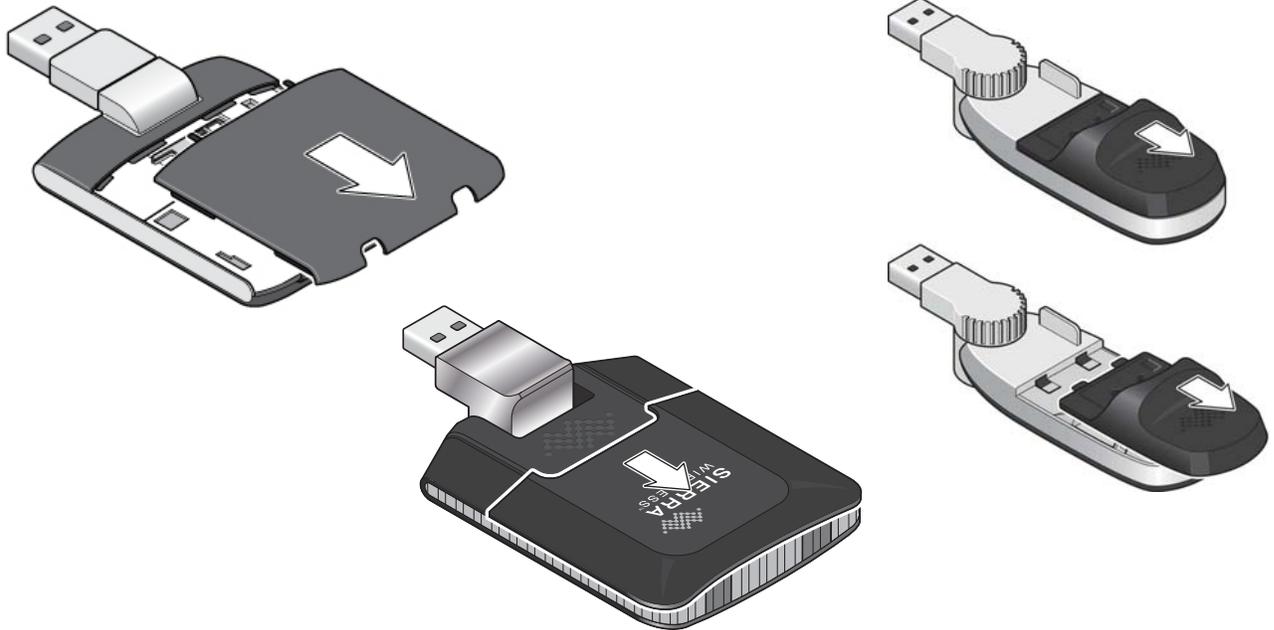
3. Gently pull the microSD card out.



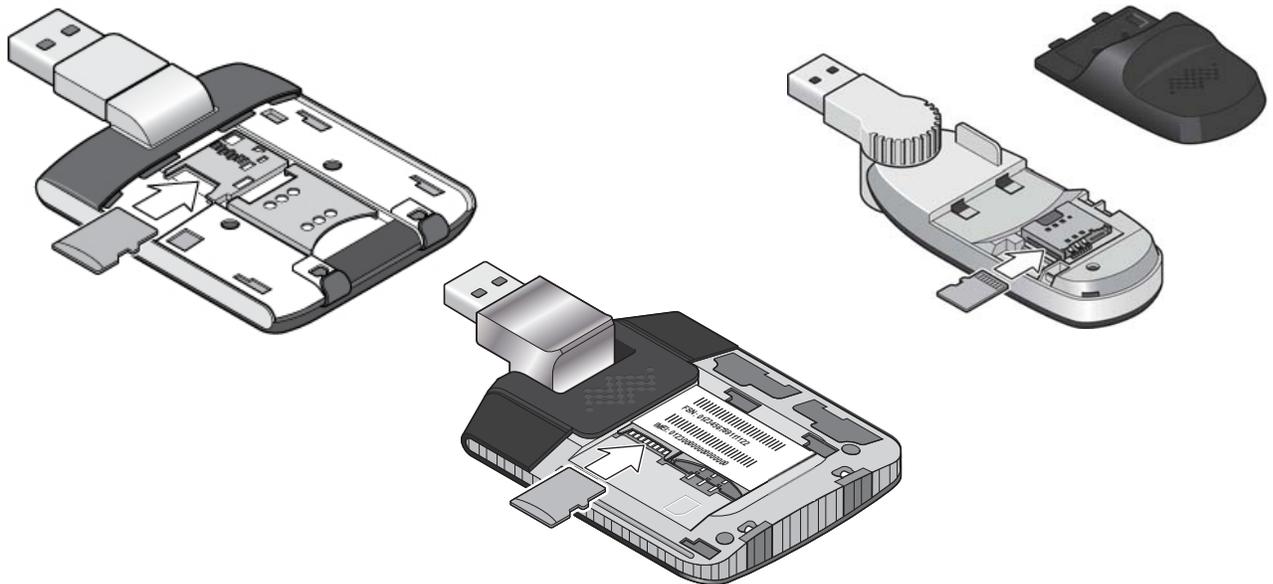
Back-loading models

To insert and use a microSD card:

1. Remove the back cover from the modem.



2. Insert the microSD card in the slot as shown in the illustration.

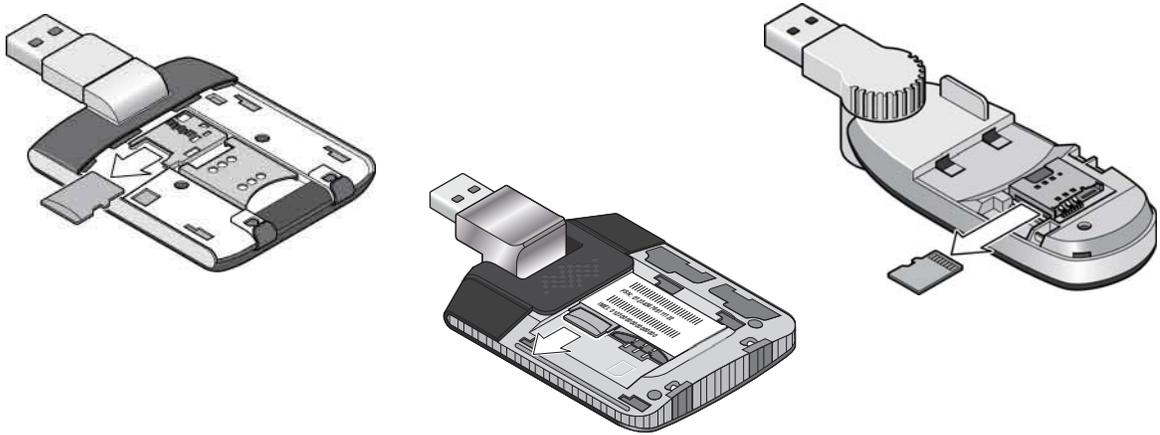


3. Replace the back cover and insert the AirCard USB Modem into the computer.

If the computer does not have Watcher installed, you may be given the option to install it. If you do not want to install Watcher, cancel the installation. You can use the microSD card without having Watcher installed.

To remove the microSD card:

1. Remove the back cover from the modem.
2. Gently pull the microSD card out.

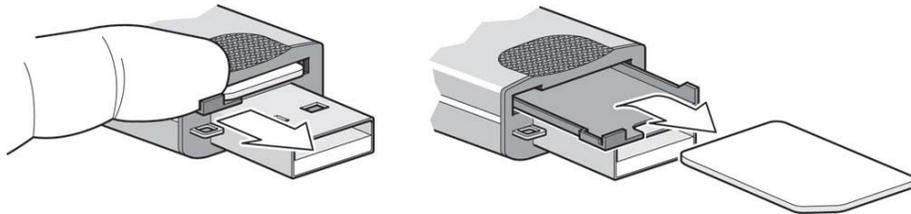


Removing the SIM card

For instructions on inserting the SIM card, see the printed guide that came with your product.

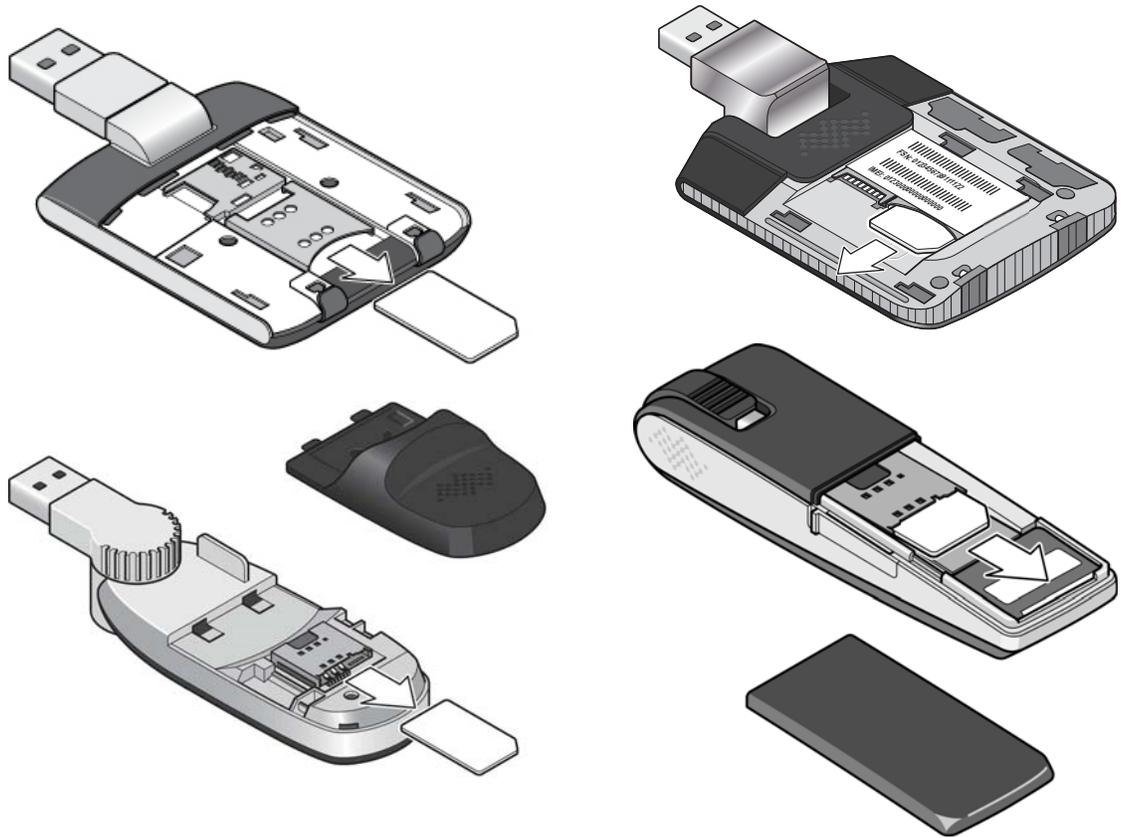
Some AirCard USB Modems have a SIM card slot with a “push to insert/push to release” design. To remove the SIM card from the modem:

1. Slide out the SIM card tray and lift out the SIM card as shown in the illustration.



If you slide the tray completely out of the AirCard USB Modem, carefully reinsert it. Do not dispose of the tray.

To remove the SIM card on AirCard USB Modems that have the SIM slot behind the back panel, remove the back panel and slide the SIM card out of the slot.



Using AirCard USB Modem accessories

Depending on your carrier and your modem model, your AirCard USB Modem may come with a:

- USB extension cable and clip
- Lanyard

Using the extension cable and clip

The extension cable and clip should be used if you have difficulty inserting the AirCard USB Modem because of the orientation of your computer's USB slot or the thickness of your computer.

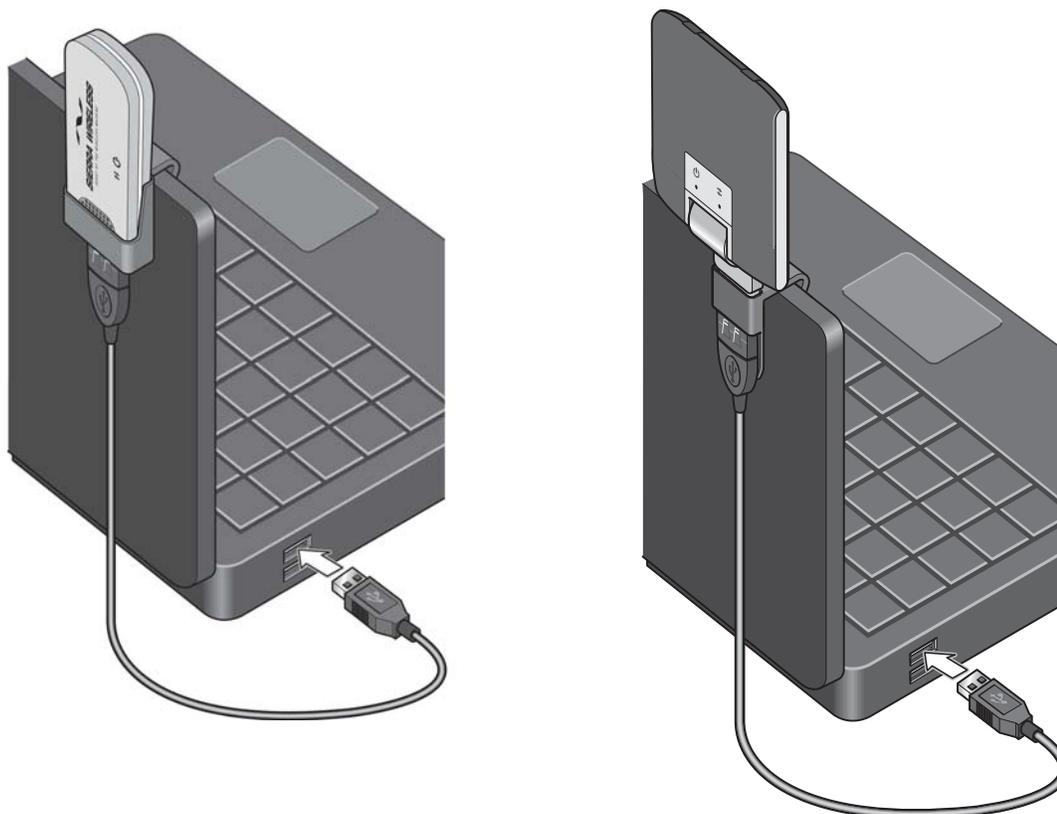
The clip fits on the top of your notebook computer and holds your AirCard USB Modem.

Note: To meet FCC (regulatory) requirements, use only the supplied extension cable and notebook computer clip; other cables and notebook computer clips should not be used.

Note: Do not insert the AirCard USB Modem or the USB extension cable into a USB hub or, if your keyboard is separate from your notebook computer, a USB slot on your keyboard.

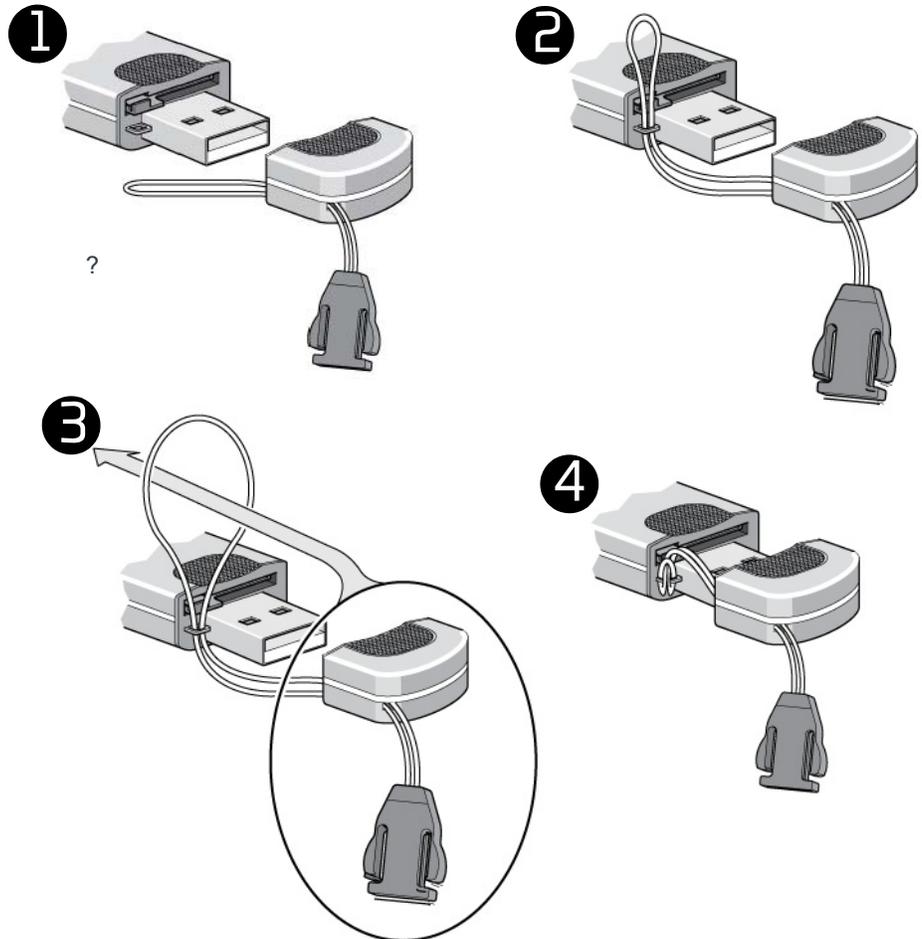
To use the extension cable and clip:

1. Place the modem in the clip holder.
2. Place the clip on top of the notebook computer.
3. Connect the extension cable to the AirCard USB Modem.
4. Connect the other end of the extension cable to the USB slot on your computer.

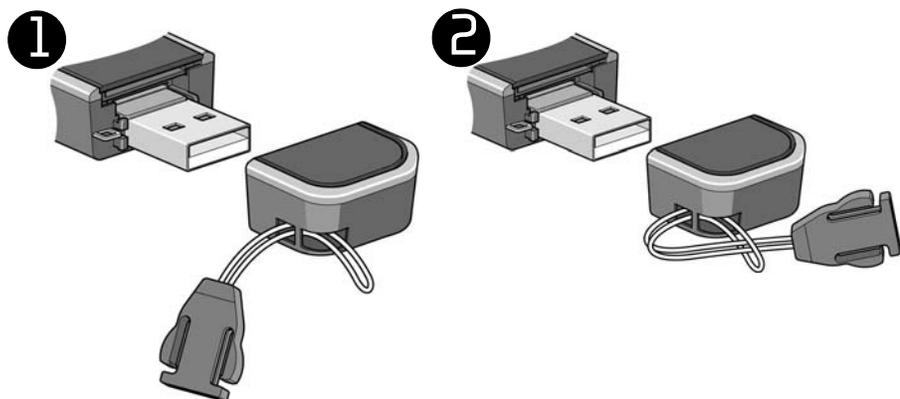


Attaching the lanyard

To keep everything together, thread the lanyard through the cap and the AirCard USB Modem, as shown in the illustrations.



Depending on the cap design, you can also attach the lanyard to the cap.



Care and maintenance

As with any electronic device, the AirCard USB Modem must be handled with care to ensure reliable operation. Follow these guidelines when you use and store your AirCard USB Modem:

- Do not apply adhesive labels to the SIM card. This may cause it to jam inside the slot, or prevent it from being inserted properly.
- When not installed in your computer, store the AirCard USB Modem and SIM card in a safe place.
- The modem should fit easily into your computer's USB port. Forcing the AirCard USB Modem into the port may damage the connector pins.
- Protect the AirCard USB Modem from liquids, dust, and excessive heat. (See the [Environmental specifications](#) for maximum tolerances.)

Troubleshooting

This section describes possible problems and solutions for Windows users. If you have a problem that is not described in this section, visit the Sierra Wireless support page at www.sierrawireless.com/support.

Software installation does not start automatically (Windows) or you do not see the installer package (Mac)

Windows

If Watcher installation does not start after you insert the AirCard USB Modem:

1. Double-click **My Computer** (Windows XP) or **Computer** (Windows Vista, Windows 7) on your desktop.
2. Click the **TRU-Install** drive.
3. Under the **TRU-Install** drive, open the **Win** folder and double-click **Setup.exe**. Follow the on-screen prompts to install the software.

Mac OS X

If you do not see the installer package:

1. Open Finder.
2. Under **Devices**, click **AirCard xxx** (where xxx is the model name).
3. Double-click the installer package.

Modem is not detected after AirCard Watcher installation completes (Windows)

You successfully complete the automatic installation process, but Watcher does not detect the AirCard USB Modem:

1. Click **Start**, and then click **Control Panel**.
2. Double-click **TRU-Install**.
3. When you are prompted to switch to modem mode, click **OK**.
4. Wait for Watcher to detect the AirCard USB Modem.
5. If the AirCard USB Modem still is not detected, connect to the Internet using another method and go to www.sierrawireless.com/support for assistance.

Windows installer fails

When you try to install or uninstall Watcher, the message **Windows Installer is not accessible** (Error code: 1601) appears.

To fix Error 1601, first see if another installation process is running.

1. Press **Ctrl + Alt + Del** and select Task Manager.
2. Go to the **Processes** tab.
3. Check the running processes for any of these names:
 - setup.exe
 - isetup.exe
 - ikernel.exe
 - msiexec.exe
 - idriver.exe
 - IsUninst.exe
 - Uninst.exe

If any of these processes are running on the system:

1. Select each process.
2. Click **End Process**.
3. Try to run the Watcher installation again.

If the installation is not successful, connect to the Internet using another method and check Sierra Wireless Knowledge Base articles at sierrawireless.com.

Technical specifications

Radio frequency and electrical specifications

The radio frequency bands that your AirCard USB Modem supports will vary depending on your region and your model.

Transmit	GSM 1900 (PCS): 1850 – 1910 MHz GSM 1800 (DCS): 1710 – 1785 MHz EGSM 900: 880 – 915 MHz GSM 850: 824 – 849 MHz WCDMA 2100 (Band 1): 1920 – 1980 MHz WCDMA 1900 (Band 2): 1850 – 1910 MHz WCDMA 850 (Band 5): 824 – 849 MHz WCDMA 800 (Band 6): 830 – 840 MHz WCDMA 900 (Band 8) 880 – 915 MHz LTE Band 2: 1850 – 1910 MHz LTE Band 3: 1710 – 1785 MHz LTE Band 4: 1710 – 1755 MHz LTE Band 5: 824 – 849 MHz LTE Band 7: 2500 – 2570 LTE Band 17: 704 – 716 MHz
Receive	GSM 1900 (PCS): 1930 – 1990 MHz GSM 1800 (DCS): 1805 – 1880 MHz EGSM 900: 925 – 960 MHz GSM 850: 869 – 894 MHz WCDMA 2100 (Band 1): 2110 – 2170 MHz WCDMA 1900 (Band 2): 1930 – 1990 MHz WCDMA 850 (Band 5): 869 – 894 MHz WCDMA 800 (Band 6): 875 – 885 MHz WCDMA 900 (Band 8) 925 – 960 MHz LTE Band 2: 1930 – 1990 MHz LTE Band 3: 1805 – 1880 MHz LTE Band 4: 2110 – 2155 MHz LTE Band 5: 869–894 MHz LTE Band 7: 2620 – 2690 LTE Band 17: 734 – 746 MHz

Frequency band support

Technology	Bands	Location
2G	850 MHz (cellular band)	North America
	900 MHz (EGSM band)	Europe
	1800 MHz (DCS band)	Europe and Asia
	1900 MHz (PCS band)	North America

Technology	Bands	Location
3G	WCDMA 850 (Band 5)	North America, Australia, and New Zealand
	WCDMA 800 (Band 6)	Japan
	WCDMA 900 (Band 8)	Europe, Asia, and Australia
	WCDMA 1900 (Band 2)	North America
	WCDMA 2100 (Band 1)	Europe, Asia, and Australia
4G	LTE Band 2	North America
	LTE Band 3	Europe, Asia, Australia, and Japan
	LTE Band 4	North America
	LTE Band 5	North America
	LTE Band 7	Australia
	LTE Band 17	North America

Environmental specifications

Operating temperature (ambient)	0°C to 35°C (32°F to 95°F), 0°C to 45°C (32°F to 113°F) for AirCard 318U and AirCard 326U
Storage temperature	-40°C to +85°C, 96 hours (-40°F to +185°F)
Humidity	85°C, 85% relative humidity for 48 hours (non-condensing)
Vibration	Random vibration, 10 to 1000 Hz, nominal 6 G RMS in each of 3 mutually perpendicular axes. Test duration of 60 minutes for each axis, for a total test time of 3 hours.
Drop	1 m on concrete on each of 6 faces, 2 times

Regulatory and safety information

Notice

Because of the nature of wireless communications, transmission and reception of data can never be guaranteed. Data may be delayed, corrupted (that is, have errors), or be totally lost. Although significant delays or losses of data are rare when wireless devices such as the Sierra Wireless modem are used in a normal manner with a well-constructed network, the Sierra Wireless modem should not be used in situations where failure to transmit or receive data could result in damage of any kind to the user or any other party, including but not limited to personal injury, death, or loss of property. Sierra Wireless and its affiliates accept no responsibility for damages of any kind resulting from delays or errors in data transmitted or received using the Sierra Wireless modem, or for failure of the Sierra Wireless modem to transmit or receive such data.

Safety and hazards

The modem **MUST BE POWERED OFF** in all areas that may be susceptible to radio interference, in particular:

- Prohibited areas
Obey all signs and notices and follow all rules and regulations. Power off the modem when instructed to do so or when you suspect that it may cause interference or danger.
- In areas where blasting is in progress
- Where explosive atmospheres may be present
Areas with a potentially explosive atmosphere are not always clearly marked. Such areas include gas stations, fuel depots, chemical transfer or storage facilities, areas where blasting is in progress, areas where the air contains chemicals or particles such as grain, dust, or metal powders, and any other area where you would normally be advised to turn off your cellular phone or vehicle engine.
- Near medical or life-support equipment
Medical equipment may be susceptible to any form of radio interference. In such areas the modem can transmit signals that could interfere with this equipment.
- On board aircraft
In addition to Federal Aviation Authority (FAA) requirements, many airline regulations state that you must suspend wireless operations before boarding an aircraft. The modem is capable of transmitting signals that could interfere with various onboard systems and controls.
Failure to observe this instruction may lead to suspension or denial of cellular telephone services to the offender, legal action, or both.
Some airlines may permit the use of cellular phones while the aircraft is on the ground and the door is open. The modem may be used normally at this time.

-
- While operating a vehicle
The driver or operator of any vehicle should not use a wireless data device while in control of a vehicle. Doing so detracts from the driver or operator's ability to control and operate the vehicle. In some countries, using such communications devices while in control of a vehicle is an offence.

Regulatory information for North America

CAUTION: Unauthorized modifications or changes not expressly approved by Sierra Wireless, Inc. could void compliance with regulatory rules, and thereby your authority to use this equipment.

These devices comply with Part 15 of the FCC Rules. Operation is subject to the condition that these devices do not cause harmful interference.

Where appropriate, the use of the equipment is subject to the following conditions:

Note: (EMI) – United States FCC Information – This equipment has been tested and found to comply with the limits pursuant to Part 15 of the FCC Rules. These limits are designed to provide reasonable protection against harmful interference in an appropriate installation. This equipment generates, uses, and can radiate radio frequency energy and, if not installed and used in accordance with the instructions, may cause harmful interference to radio communication. However, there is no guarantee that interference will not occur in a particular installation.

If this equipment does cause harmful interference to radio or television reception, which can be determined by turning the equipment off and on, the user is encouraged to try to correct the interference by one or more of the following measures:

- Increase the separation between the equipment and receiver
- Connect the equipment into an outlet on a circuit different from that to which the receiver is connected
- Consult the dealer or an experienced radio/TV technician for help

If you have purchased this product under a United States Government contract, it shall be subject to restrictions as set forth in subparagraph (c)(1)(ii) of Defense Federal Acquisitions Regulations (DFARs) Section 252.227-7013 for Department of Defense contracts, and as set forth in Federal Acquisitions Regulations (FARs) Section 52.227-19 for civilian agency contracts or any successor regulations. If further government regulations apply, it is your responsibility to ensure compliance with such regulations.

To meet FCC requirements, use only the supplied USB extension cable and laptop clip; other cables and laptop clips should not be used.

Regulatory information specific to the USB 308, AirCard 313U, AirCard 319U, AirCard 330U, and AirCard 340U

The Sierra Wireless USB modem must be 1 cm or more from users during operation, to satisfy FCC / IC RF exposure requirements. The Sierra Wireless USB modem has been tested for compliance with FCC / IC RF exposure limits in

the notebook computer(s) configurations with horizontal and vertical USB slots and can be used in notebook computers with substantially similar physical dimensions, construction, and electrical and RF characteristics. This USB modem must not be used with any other antenna or transmitter that has not been approved to operate in conjunction with this modem. Note: This USB modem must not be used in any unapproved configurations. For details, contact Sierra Wireless.

Note: The Sierra Wireless USB modem is approved for normal-size notebook computers only (typically with 12 inches or larger display screens). For notebook computers with a display screen smaller than 12 inches or if the orientation of the USB slot does not allow for at least 1 cm between the modem and the user or bystanders, use the provided extension cable and clip to ensure a safe distance between the modem antenna and users or bystanders.

The AirCard 313U and AirCard 330U modems have been tested for compliance with FCC / IC RF exposure limits in the laptop computer(s) configurations with horizontal and vertical USB slots (see [Figure 3](#) below) and can be used in laptop computers with substantially similar physical dimensions, construction, and electrical and RF characteristics.

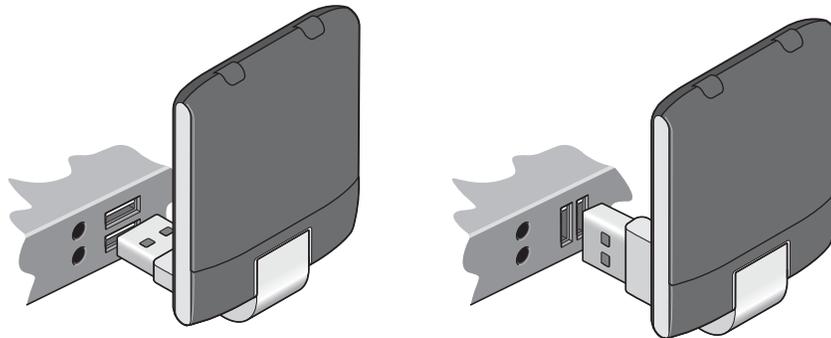


Figure 3: Acceptable operating configurations to satisfy RF exposure requirements

Regulatory information for EU countries

Note: Regulatory information in this section applies to these models:

USB 307*

USB 309*

AirCard 310U*

AirCard 312U**

AirCard 318U**

AirCard 319U**

To ensure safe use, the modem must be 10 mm or more from users during operation.

Sierra Wireless hereby declares that the Sierra Wireless USB wireless modem conforms to all the essential requirements of Directive 1999/5/EC:

CE 0682* CE**

The Declaration of Conformity made under Directive 1999/5/EC is available for viewing at the following location in the EU community:

Sierra Wireless (UK) Limited
Suite 5, the Hub
Fowler Avenue
Farnborough Business Park
Farnborough, United Kingdom GU14 7JP

Regulatory information for Australia

Note: Regulatory information in this section applies to the following models:

AirCard 310U

AirCard 312U

AirCard 319U

AirCard 320U

To ensure safe use, the modem must be 12 mm or more from users during operation.

»» Index

A

accessories, 17
account, 5

C

clip, 17
connect to the network, 11
coverage area, 5

E

electrical specifications, 22
environmental specifications, 23
extension cable, 17
external memory storage, 5, 12
external SD, 12
external storage card, 12

F

features, 6
flash drive, 12
frequencies
 receive, 22
 transmit, 22

H

humidity, 23

L

lanyard, 19
launching Watcher, 10
LCD, 8
LEDs, 8

M

memory card, 5
microSD, 5, 12

N

network, overview, 5
notebook computer clip, 17

P

profile, 12

R

radio frequency specifications, 22
receive frequencies, 22
regulatory information, 24
RF specifications, 22
roaming, 6

S

safety notice, 24
SIM card, removing, 16
specifications
 electrical, 22
 environmental, 23
 radio frequency, 22
storage
 temperature, 23
 when not using card, 20

T

temperature, 23
transmit frequencies, 22

V

vibration, 23

W

Watcher
 introduction, 9
 launching, 10



SIERRA
WIRELESS